


Exhibit A Pricing Page

CRFQ DOT1900000117

Under Bridge Inspection Vehicle (7019E025)

Item No.	Description:	Make/Model & Year	Quantity	Unit Price	Item Total Cost
1	One Complete unit: Under Bridge Inspection Vehicle	2020 Freightliner 122 SD and an Aspen A-52	1	\$639,755.00	\$639,755.00
Total Bid Amount 					\$639,755.00

Vendor Information

Company Name: Matheny Motor Truck Company

Contract Manager: Jack Cummings

Address: 50 Matheny Lane, Mineral Wells WV 26150

Phone: 304-769-5860 x 3601

Fax: 304-769-5866

Email: jcummings@mathenymotors.com

Signature: 

RECEIVED

2019 JUN 24 PM 2:43

WV PURCHASING
DIVISION

DESIGNATED CONTACT: Vendor appoints the individual identified in this Section as the Contract Administrator and the initial point of contact for matters relating to this Contract.

Jackie Cummings - Sales Consultant

(Name, Title)

Jack Cummings - sales consultant

(Printed Name and Title)

4125 1st Avenue, Nitro WV 25143

(Address)

304-769-5860 x 3601 304-769-5866

(Phone Number) / (Fax Number)

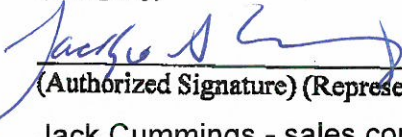
jcummings@mathenymotors.com

(email address)

CERTIFICATION AND SIGNATURE: By signing below, or submitting documentation through wvOASIS, I certify that I have reviewed this Solicitation in its entirety; that I understand the requirements, terms and conditions, and other information contained herein; that this bid, offer or proposal constitutes an offer to the State that cannot be unilaterally withdrawn; that the product or service proposed meets the mandatory requirements contained in the Solicitation for that product or service, unless otherwise stated herein; that the Vendor accepts the terms and conditions contained in the Solicitation, unless otherwise stated herein; that I am submitting this bid, offer or proposal for review and consideration; that I am authorized by the vendor to execute and submit this bid, offer, or proposal, or any documents related thereto on vendor's behalf; that I am authorized to bind the vendor in a contractual relationship; and that to the best of my knowledge, the vendor has properly registered with any State agency that may require registration.

Matheny Motor Truck Company

(Company)



Jack Cummings - sales consultant

(Authorized Signature) (Representative Name, Title)

Jack Cummings - sales consultant

(Printed Name and Title of Authorized Representative)

June 24, 2019

(Date)

304-769-5860 x 3601 304-769-5866

(Phone Number) (Fax Number)



Purchasing Division
 2019 Washington Street East
 Post Office Box 50130
 Charleston, WV 25305-0130

State of West Virginia
 Request for Quotation
 19 - Highways

Proc Folder: 571957

Doc Description: ADDENDUM 2 UNDER-BRIDGE INSPECTION VEHICLE (7019E025)

Proc Type: Central Purchase Order

Date Issued	Solicitation Closes	Solicitation No	Version
2019-06-17	2019-06-25 13:30:00	CRFQ 0803 DOT1900000117	3

BID RECEIVING LOCATION

BID CLERK
 DEPARTMENT OF ADMINISTRATION
 PURCHASING DIVISION
 2019 WASHINGTON ST E
 CHARLESTON WV 25305
 US

VENDOR

Vendor Name, Address and Telephone Number:

Matheny Motor Truck Company
 50 Matheny Lane
 Mineral Wells WV 26150
 304-485-4418 x 3601

FOR INFORMATION CONTACT THE BUYER

Crystal G Husted
 (304) 558-2402
 crystal.g.husted@wv.gov

Signature X

FEIN # 55-032-0770

DATE June 24, 2019

All offers subject to all terms and conditions contained in this solicitation

ADDITIONAL INFORMATION

ADDENDUM 1

ADDENDUM HAS BEEN ISSUED TO CHANGE THE LOCATION AND TIME OF THE MANDATORY PRE-BID MEETING TO THE BELOW:

JUNE 5, 2019 AT 1:30 PM EST
 1900 KANAWHA BLVD E
 BUILDING 5, RM 122
 CHARLESTON, WV 25305

NO OTHER CHANGES AT THIS TIME

 THE STATE OF WEST VIRGINIA PURCHASING DIVISION FOR THE AGENCY, WEST VIRGINIA DIVISION OF HIGHWAYS, IS SOLICITING BIDS FOR THE ONE-TIME PURCHASE OF AN UNDER-BRIDGE INSPECTION VEHICLE PER THE ATTACHED DOCUMENTS

INVOICE TO	SHIP TO
DIVISION OF HIGHWAYS EQUIPMENT DIVISION RT 33 83 BRUSHY ROAD CROSSING, PO BOX 610 BUCKHANNON WV26201 US	DIVISION OF HIGHWAYS EQUIPMENT DIVISION 83 BRUSHY FORK RD CROSSING BUCKHANNON WV 26201 US

Line	Comm Ln Desc	Qty	Unit Issue	Unit Price	Total Price
1	UNDER-BRIDGE INSPECTION VEHICLE	1.00000	EA	\$639,755.00	639,755.00

Comm Code	Manufacturer	Specification	Model #
25101911	Freightliner	Aspen A52 installed on a Freightliner 122 SD	

Extended Description :
 UNDER-BRIDGE INSPECTION VEHICLE

SCHEDULE OF EVENTS

Line	Event	Event Date
1	MANDATORY PRE-BID MEETING	2019-06-05
2	VENDOR QUESTION DEADLINE	2019-06-10

ADDENDUM ACKNOWLEDGEMENT FORM
SOLICITATION NO.: DOT1900000117

Instructions: Please acknowledge receipt of all addenda issued with this solicitation by completing this addendum acknowledgment form. Check the box next to each addendum received and sign below. Failure to acknowledge addenda may result in bid disqualification.

Acknowledgment: I hereby acknowledge receipt of the following addenda and have made the necessary revisions to my proposal, plans and/or specification, etc.

Addendum Numbers Received:

(Check the box next to each addendum received)

- | | |
|--|--|
| <input checked="" type="checkbox"/> Addendum No. 1 | <input type="checkbox"/> Addendum No. 6 |
| <input checked="" type="checkbox"/> Addendum No. 2 | <input type="checkbox"/> Addendum No. 7 |
| <input type="checkbox"/> Addendum No. 3 | <input type="checkbox"/> Addendum No. 8 |
| <input type="checkbox"/> Addendum No. 4 | <input type="checkbox"/> Addendum No. 9 |
| <input type="checkbox"/> Addendum No. 5 | <input type="checkbox"/> Addendum No. 10 |

I understand that failure to confirm the receipt of addenda may be cause for rejection of this bid. I further understand that any verbal representation made or assumed to be made during any oral discussion held between Vendor's representatives and any state personnel is not binding. Only the information issued in writing and added to the specifications by an official addendum is binding.

Matheny Motor Truck Company

Company



Authorized Signature

June 24, 2019

Date

NOTE: This addendum acknowledgment should be submitted with the bid to expedite document processing.
Revised 6/8/2012



CERTIFICATE OF LIABILITY INSURANCE

DATE (MM/DD/YYYY)
7/27/2018

THIS CERTIFICATE IS ISSUED AS A MATTER OF INFORMATION ONLY AND CONFERS NO RIGHTS UPON THE CERTIFICATE HOLDER. THIS CERTIFICATE DOES NOT AFFIRMATIVELY OR NEGATIVELY AMEND, EXTEND OR ALTER THE COVERAGE AFFORDED BY THE POLICIES BELOW. THIS CERTIFICATE OF INSURANCE DOES NOT CONSTITUTE A CONTRACT BETWEEN THE ISSUING INSURER(S), AUTHORIZED REPRESENTATIVE OR PRODUCER, AND THE CERTIFICATE HOLDER.

IMPORTANT: If the certificate holder is an ADDITIONAL INSURED, the policy(ies) must be endorsed. If SUBROGATION IS WAIVED, subject to the terms and conditions of the policy, certain policies may require an endorsement. A statement on this certificate does not confer rights to the certificate holder in lieu of such endorsement(s).

PRODUCER United Security Agency, Inc. 139 W. Main Street Bridgeport WV 26330	CONTACT NAME: Carla Dobbins	
	PHONE (A/C, No. Ext): 304-848-2642 FAX (A/C, No): 304-842-7321 E-MAIL ADDRESS: cdobbins@unitedsecurityagency.com	
INSURER(S) AFFORDING COVERAGE		NAIC #
INSURED MATHMOT-01 Matheny Motor Truck Company PO Box 1304 Parkersburg WV 26102-1304	INSURER A : Erie Insurance	26830
	INSURER B : Erie Insurance Exchange	26271
	INSURER C : Erie Insurance Company	26263
	INSURER D : Erie Ins Co Of NY	16233
	INSURER E :	
INSURER F :		

COVERAGES **CERTIFICATE NUMBER:** 124357209 **REVISION NUMBER:**

THIS IS TO CERTIFY THAT THE POLICIES OF INSURANCE LISTED BELOW HAVE BEEN ISSUED TO THE INSURED NAMED ABOVE FOR THE POLICY PERIOD INDICATED. NOTWITHSTANDING ANY REQUIREMENT, TERM OR CONDITION OF ANY CONTRACT OR OTHER DOCUMENT WITH RESPECT TO WHICH THIS CERTIFICATE MAY BE ISSUED OR MAY PERTAIN, THE INSURANCE AFFORDED BY THE POLICIES DESCRIBED HEREIN IS SUBJECT TO ALL THE TERMS, EXCLUSIONS AND CONDITIONS OF SUCH POLICIES. LIMITS SHOWN MAY HAVE BEEN REDUCED BY PAID CLAIMS.

INSR LTR	TYPE OF INSURANCE	ADDL INSD	SUBR WVD	POLICY NUMBER	POLICY EFF (MM/DD/YYYY)	POLICY EXP (MM/DD/YYYY)	LIMITS
A B	<input checked="" type="checkbox"/> COMMERCIAL GENERAL LIABILITY <input type="checkbox"/> CLAIMS-MADE <input checked="" type="checkbox"/> OCCUR GEN'L AGGREGATE LIMIT APPLIES PER: <input checked="" type="checkbox"/> POLICY <input type="checkbox"/> PRO-JECT <input type="checkbox"/> LOC OTHER:			Q43-5150707 (WV) Q43-0156147 (VA, OH, MD)	7/1/2018 7/1/2018	7/1/2019 7/1/2019	EACH OCCURRENCE \$ 1,000,000 DAMAGE TO RENTED PREMISES (Ea occurrence) \$ 1,000,000 MED EXP (Any one person) \$ 5,000 PERSONAL & ADV INJURY \$ 1,000,000 GENERAL AGGREGATE \$ 2,000,000 PRODUCTS - COMP/OP AGG \$ 2,000,000 \$
A B C B	<input checked="" type="checkbox"/> AUTOMOBILE LIABILITY <input checked="" type="checkbox"/> ANY AUTO <input type="checkbox"/> ALL OWNED AUTOS <input type="checkbox"/> SCHEDULED AUTOS <input type="checkbox"/> HIRED AUTOS <input type="checkbox"/> NON-OWNED AUTOS <input checked="" type="checkbox"/> Garage Liab			Q07-5180942 (WV) Q07-0181498 (VA) Q07-5180941 (OH) Q07-0181495 (MD)	7/1/2018 7/1/2018 7/1/2018 7/1/2018	7/1/2019 7/1/2019 7/1/2019 7/1/2019	COMBINED SINGLE LIMIT (Ea accident) \$ 1,000,000 BODILY INJURY (Per person) \$ BODILY INJURY (Per accident) \$ PROPERTY DAMAGE (Per accident) \$ \$
B A	<input type="checkbox"/> UMBRELLA LIAB <input checked="" type="checkbox"/> OCCUR <input checked="" type="checkbox"/> EXCESS LIAB <input type="checkbox"/> CLAIMS-MADE DED RETENTION \$			Q31-0173119 (VA, OH, MD) Q31-5170364 (WV)	7/1/2018 7/1/2018	7/1/2019 7/1/2019	EACH OCCURRENCE \$ 10,000,000 AGGREGATE \$ 10,000,000 \$
D	<input type="checkbox"/> WORKERS COMPENSATION AND EMPLOYERS' LIABILITY <input type="checkbox"/> ANY PROPRIETOR/PARTNER/EXECUTIVE OFFICER/MEMBER EXCLUDED? (Mandatory in NH) If yes, describe under DESCRIPTION OF OPERATIONS below		Y/N N	Q81-5102550	7/1/2018	7/1/2019	<input checked="" type="checkbox"/> PER STATUTE <input type="checkbox"/> OTH-ER E.L. EACH ACCIDENT \$ 1,000,000 E.L. DISEASE - EA EMPLOYEE \$ 1,000,000 E.L. DISEASE - POLICY LIMIT \$ 1,000,000

DESCRIPTION OF OPERATIONS / LOCATIONS / VEHICLES (ACORD 101, Additional Remarks Schedule, may be attached if more space is required)
 Re: Evidence of Insurance

Automatic additional insured for the General Liability, Auto Liability and Garage Liability in MD, WV and OH when required by written contract per attached ABAZ10. Subject to the policy terms and conditions. Automatic additional insured for the General Liability, Auto Liability and Garage Liability in VA when required by written contract per attached CA2039. Subject to the policy terms and conditions.

See Attached...

CERTIFICATE HOLDER	CANCELLATION
Evidence of Insurance	SHOULD ANY OF THE ABOVE DESCRIBED POLICIES BE CANCELLED BEFORE THE EXPIRATION DATE THEREOF, NOTICE WILL BE DELIVERED IN ACCORDANCE WITH THE POLICY PROVISIONS. AUTHORIZED REPRESENTATIVE <i>Carla Dobbins</i>

West Virginia Ethics Commission
Disclosure of Interested Parties to Contracts

(Required by *W. Va. Code* § 6D-1-2)

Contracting Business Entity: Matheny Motor Truck Co. Address: PO Box 1304

Authorized Agent: M J Matheny Address: Parkersburg WV 26102-1304

Contract Number: CRFQ 0803 DOT1900000117 Contract Description: Under-Bridge Inspection Vehicle

Governmental agency awarding contract: WV DOH

Check here if this is a Supplemental Disclosure

List the Names of Interested Parties to the contract which are known or reasonably anticipated by the contracting business entity for each category below (*attach additional pages if necessary*):

1. Subcontractors or other entities performing work or service under the Contract

Check here if none, otherwise list entity/individual names below.

Aspen Aerials - 4303 West 1st Street, Duluth MN 55807

2. Any person or entity who owns 25% or more of contracting entity (not applicable to publicly traded entities)

Check here if none, otherwise list entity/individual names below.

3. Any person or entity that facilitated, or negotiated the terms of, the applicable contract (excluding legal services related to the negotiation or drafting of the applicable contract)

Check here if none, otherwise list entity/individual names below.

Signature: Mr. J. Matheny CEO Date Signed: 6/24/2019

Notary Verification

State of West Virginia, County of Wood:

I, M J Matheny, the authorized agent of the contracting business entity listed above, being duly sworn, acknowledge that the Disclosure herein is being made under oath and under the penalty of perjury.

Taken, sworn to and subscribed before me this 24th day of June, 2019.

Michelle L. White
Notary Public's Signature

To be completed by State Agency:

Date Received by State Agency: _____

Date submitted to Ethics Commission: _____

Governmental agency submitting Disclosure: _____



STATE OF WEST VIRGINIA
Purchasing Division

PURCHASING AFFIDAVIT

CONSTRUCTION CONTRACTS: Under W. Va. Code § 5-22-1(i), the contracting public entity shall not award a construction contract to any bidder that is known to be in default on any monetary obligation owed to the state or a political subdivision of the state, including, but not limited to, obligations related to payroll taxes, property taxes, sales and use taxes, fire service fees, or other fines or fees.

ALL CONTRACTS: Under W. Va. Code §5A-3-10a, no contract or renewal of any contract may be awarded by the state or any of its political subdivisions to any vendor or prospective vendor when the vendor or prospective vendor or a related party to the vendor or prospective vendor is a debtor and: (1) the debt owed is an amount greater than one thousand dollars in the aggregate; or (2) the debtor is in employer default.

EXCEPTION: The prohibition listed above does not apply where a vendor has contested any tax administered pursuant to chapter eleven of the W. Va. Code, workers' compensation premium, permit fee or environmental fee or assessment and the matter has not become final or where the vendor has entered into a payment plan or agreement and the vendor is not in default of any of the provisions of such plan or agreement.

DEFINITIONS:

"Debt" means any assessment, premium, penalty, fine, tax or other amount of money owed to the state or any of its political subdivisions because of a judgment, fine, permit violation, license assessment, defaulted workers' compensation premium, penalty or other assessment presently delinquent or due and required to be paid to the state or any of its political subdivisions, including any interest or additional penalties accrued thereon.

"Employer default" means having an outstanding balance or liability to the old fund or to the uninsured employers' fund or being in policy default, as defined in W. Va. Code § 23-2c-2, failure to maintain mandatory workers' compensation coverage, or failure to fully meet its obligations as a workers' compensation self-insured employer. An employer is not in employer default if it has entered into a repayment agreement with the Insurance Commissioner and remains in compliance with the obligations under the repayment agreement.

"Related party" means a party, whether an individual, corporation, partnership, association, limited liability company or any other form or business association or other entity whatsoever, related to any vendor by blood, marriage, ownership or contract through which the party has a relationship of ownership or other interest with the vendor so that the party will actually or by effect receive or control a portion of the benefit, profit or other consideration from performance of a vendor contract with the party receiving an amount that meets or exceeds five percent of the total contract amount.

AFFIRMATION: By signing this form, the vendor's authorized signer affirms and acknowledges under penalty of law for false swearing (W. Va. Code §81-5-3) that: (1) for construction contracts, the vendor is not in default on any monetary obligation owed to the state or a political subdivision of the state, and (2) for all other contracts, that neither vendor nor any related party owe a debt as defined above and that neither vendor nor any related party are in employer default as defined above, unless the debt or employer default is permitted under the exception above.

WITNESS THE FOLLOWING SIGNATURE:

Vendor's Name: Matheny Motor Truck Company

Authorized Signature: *Jackie S. [Signature]* Date: June 24, 2019

State of WV

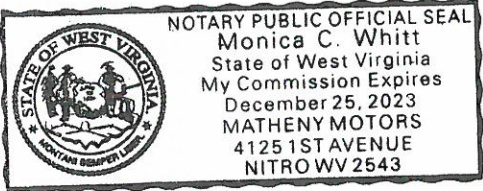
County of Kanawha, to-wit:

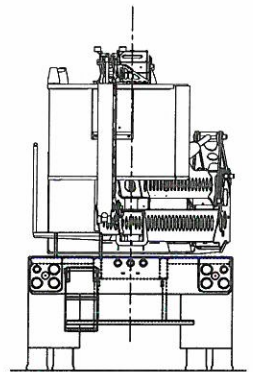
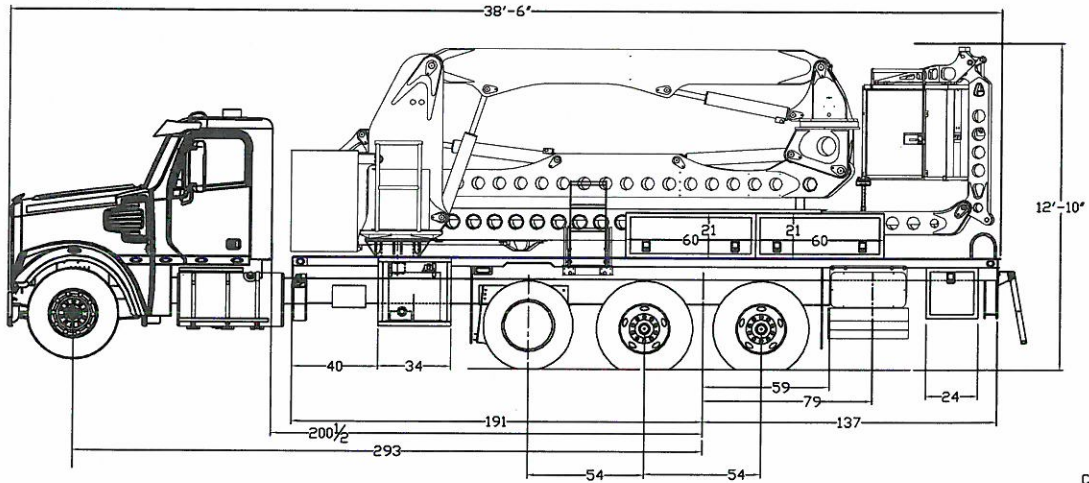
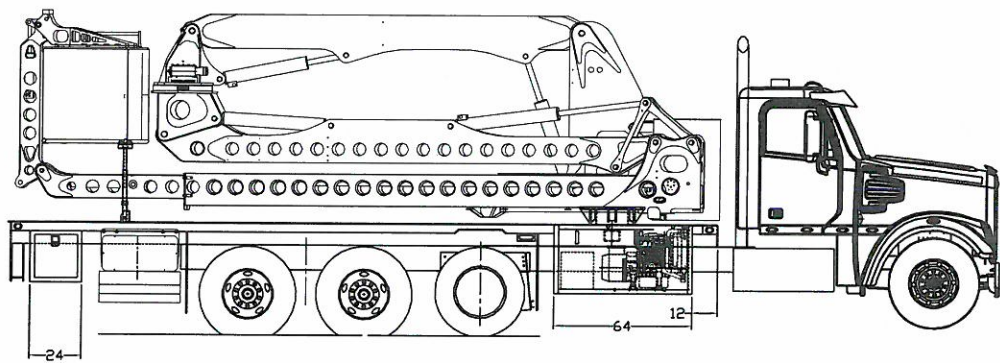
Taken, subscribed, and sworn to before me this 24th day of June, 2019.

My Commission expires December 25, 2023, 20 .

AFFIX SEAL HERE

NOTARY PUBLIC *Monica C. Whitt*





AXLE WEIGHTS

LIFT AXLE DOWN 17,686 LB
 LIFT AXLE RAISED 20,141 LB

TOTAL WEIGHT
 57,770 LB

8,500 LB 15,792 LB 15,792 LB
 18,815 LB 18,815 LB

CHASSIS: FREIGHTLINER 122SD SFA

DO NOT SCALE THIS DRAWING		ASPEN AERIALS INC.	
GENERAL ARRANGEMENT AS2		WEST VIRGINIA DDH	
DATE	REV	CLARK	4-12-13
DESIGNED BY	CHKD BY	DATE	REV
			D A52 WV