

FAX MEMO

F L TANKS

740-568-4636

740-568-4635 Fax

<http://www.fl tanks.com>

sales@fl tanks.com

WE NOW STOCK SNYDER IBC TOTES

TO: Mark Atkins

DATE: 7/12/17

07/12/17 16:15:04
BU Purchasing Division

From: Ben Cogswell

CONCERNING:

SEALED BID: Poly Brine Tanks

BUYER: Mark Atkins, File#33

SOLICITATION NO.: CRFQ 0803 DOT1700000097

BID OPENING DATE: July 18, 2017

BID OPENING TIME: 1:30pm EST

FAX NUMBER: 304-558-3970

Exhibit A

FL TANKS

FL TANKS

Vendor shall complete the Pricing Page by providing a Unit Cost per each Contract Item. Vendor shall complete the Pricing Page in its entirety as failure to do so may result in the Vendor's bid being disqualified. **Vendors must provide pricing for each item.** Pricing shall be considered for delivery, F.O.B., to any location within the state of West Virginia.

Vendor SHALL provide the brand name and model number for each contract item in the space provided after each Contract Item. Failure to provide the brand name and model number for each contract item may result in the Vendor's bid being disqualified.

Contract Item #	Estimated Quantity*	Description	Unit of Measure	Unit Cost	Extended Cost
3.1.1.1	1	2500 Gallon Heavy Weight Primary Tank with Connections	each	#####	\$ 2,028.00
		Brand Name, Primary: Norwesco			
		Model #, Primary: 40052			
3.1.1.2	1	6100 Gallon Heavy Weight Primary Tank with Connections	each	#####	\$ 5,299.00
		Brand Name, Primary: Norwesco			
		Model #, Primary: 40661			
3.1.1.3	1	2500 Gallon Heavy Weight Primary Tank with 6100 Gallon Premium Weight Secondary Containment Tank and Connections	each	#####	\$ 7,972.00
		Brand Name, Primary: Norwesco			
		Model #, Primary: 40052			
		Brand Name, Secondary: Norwesco			
3.1.1.4	1	6100 Gallon Heavy Weight Primary Tank with 10,000 Gallon Premium Weight Secondary Containment Tank and Connections	each	#####	\$ 14,929.00
		Brand Name, Primary: Norwesco			
		Model #, Primary: 40661			
		Brand Name, Secondary: Norwesco			
3.1.1.5	1	2500 Gallon Heavy Weight Primary Tank with 6100 Gallon Heavy Weight Secondary Containment Tank and Connections	each	#####	\$ 8,512.00
		Brand Name, Primary: Norwesco			
		Model #, Primary: 40052			
		Brand Name, Secondary: Norwesco			
3.1.1.6	1	6100 Gallon Heavy Weight Primary Tank with 10,000 Gallon Heavy Weight Secondary Containment Tank and Connections	each	#####	\$ 15,985.00
		Brand Name, Primary: Norwesco			
		Model #, Primary: 40661			
		Brand Name, Secondary: Norwesco			
TOTAL OVERALL COST					\$ 54,725.00

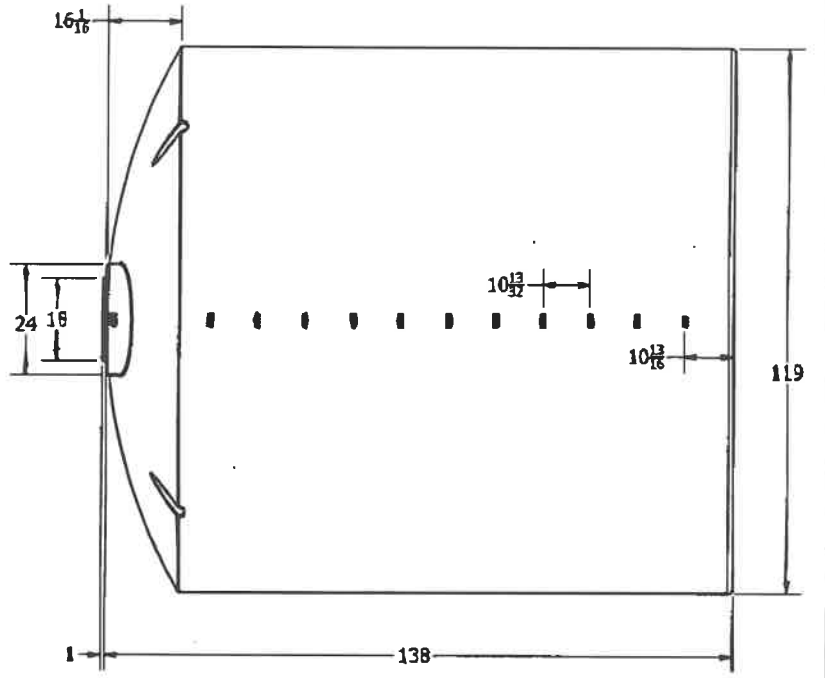
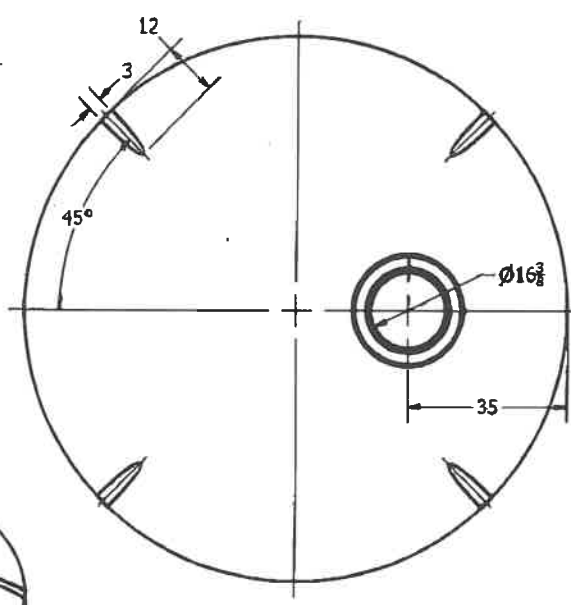
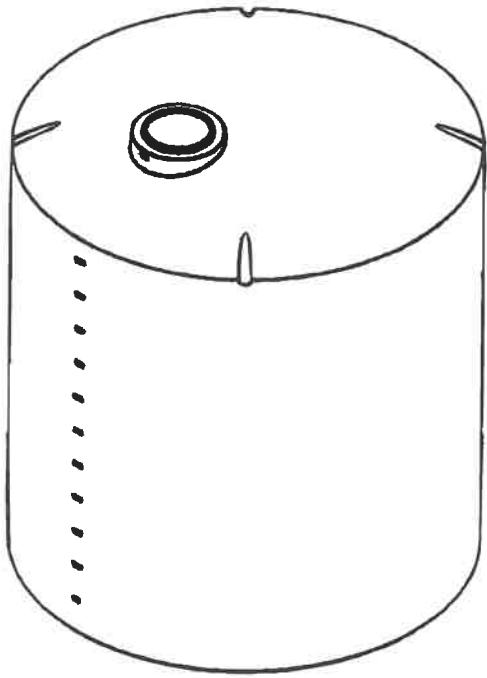
* The Pricing Page contains a list of Contract Items with no guarantee that any Contract Item will be purchased throughout the life of this Contract.


P003

Jul 12 2017 04:14pm

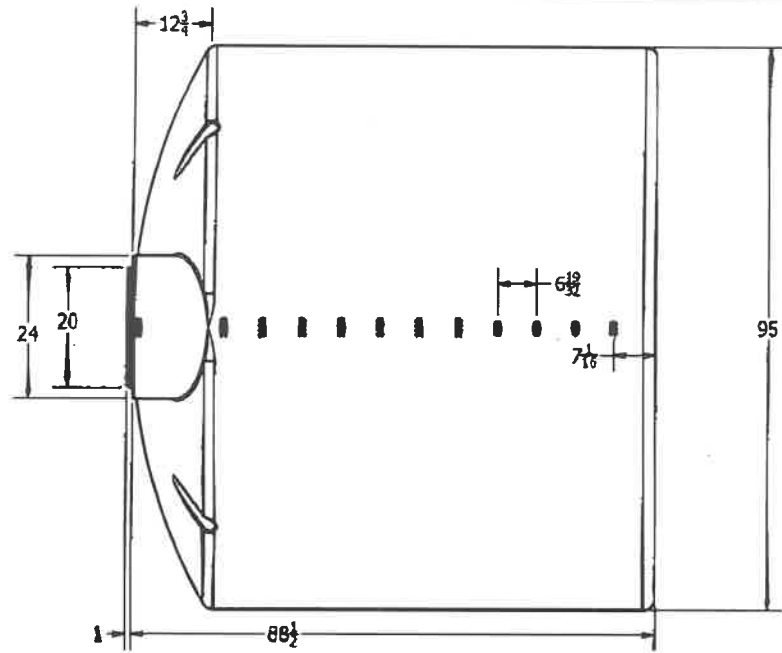
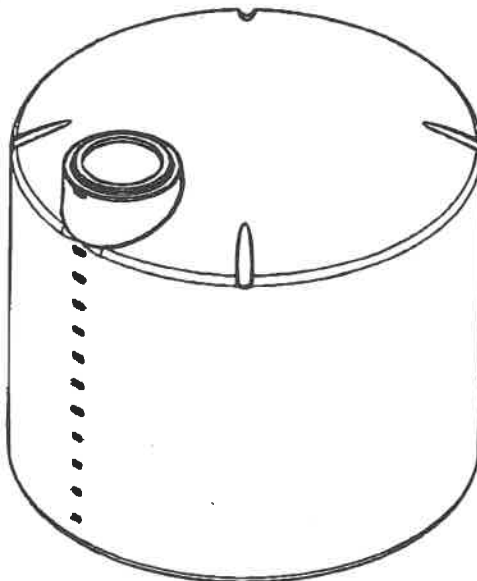
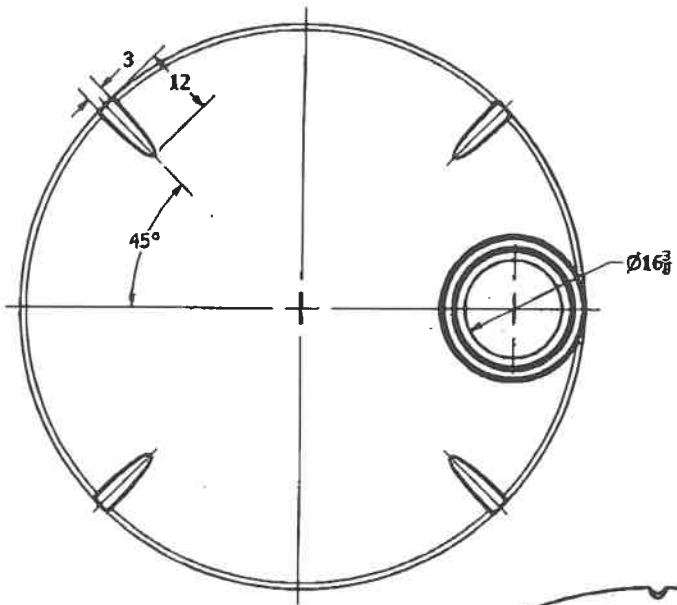
P003/008


Jul 12 2017 20:17



REVISION HISTORY			
REV	DESCRIPTION	DATE	AUTHOR
A	UPDATE TO PRODUCTION	9/8/2006	
B	REDRAWN	7/9/2013	Michael Holden
DRAWN	Jerry Paulson	5/19/1995	 NORWESCO, INC. SAINT BONIFACIUS, MN TITLE 6100 GALLON VERTICAL STORAGE TANK
CHECKED			
QA			
MFG			
APPROVED			
	SIZE	DWG NO	REV
	B		B
	SCALE: 1/16		SHEET 1 OF 1

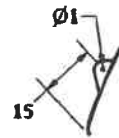
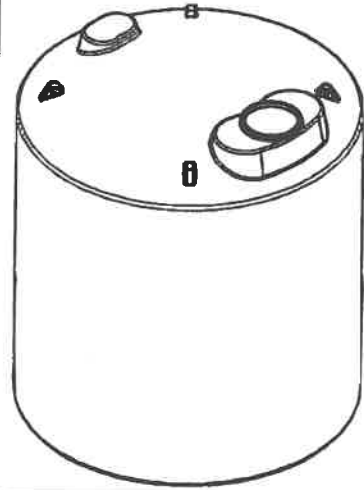
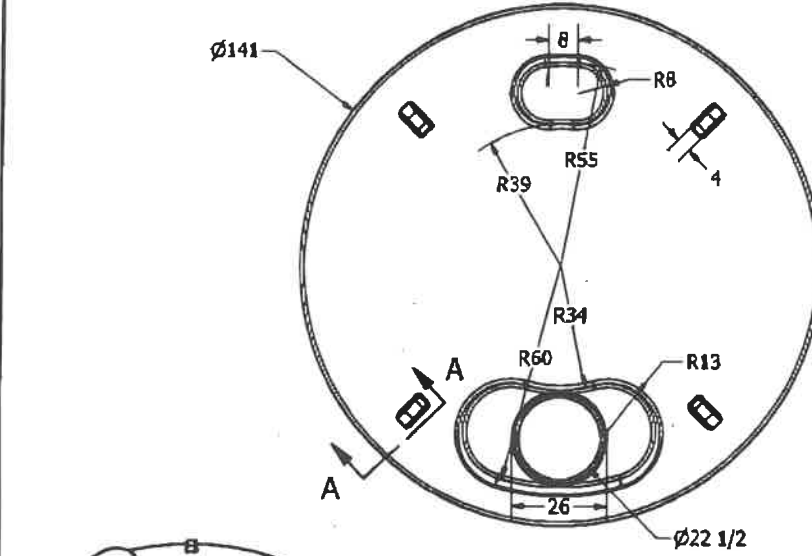
Jul 12 2017 04:14pm P004
 Jul 12 2017 20:17 P004/008



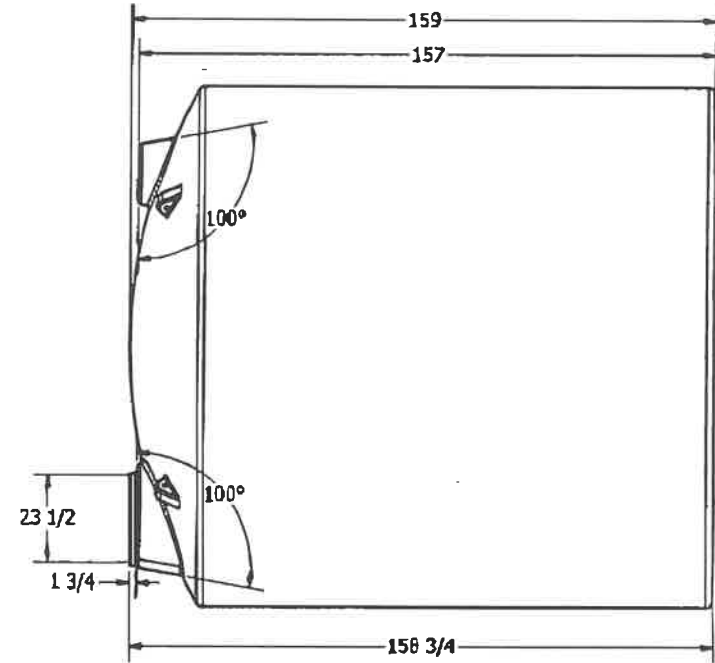
REVISION HISTORY			
REV	DESCRIPTION	DATE	AUTHOR
C	REDRAWN	5/1/1996	
D	REDRAWN	7/16/2013	Michael Holden
DRAWN	Jerry Paulson	5/1/1996	 NORWESCO, INC. SAINT BONIFACTUS, MN TITLE
CHECKED			
QA			
MFG			
APPROVED			
	SIZE	DWG NO	REV
	B		D
	SCALE: 1/16		SHEET 1 OF 1

P005
 P005/008
 Jul 12 2017 04:14pm
 Jul 12 2017 20:17


REV	DESCRIPTION	DATE	AUTHOR
A	LID REVISED TO 22°	3/5/2013	Jerry Paulson



SECTION A-A
SCALE 1/32



FOB WASHINGTON COURT HOUSE, OH

DRAWN Jerry Paulson	1/28/2010	 NORWESCO, INC., ST. BONIFACIUS, MN		
CHECKED				
QA		TITLE		
MFG		10,000 GALLON VERTICAL STORAGE TANK		
APPROVED				
		SIZE	DWG NO	REV
		B		A
		SCALE: 1/16	SHEET 1 OF 1	

DESIGNATED CONTACT: Vendor appoints the individual identified in this Section as the Contract Administrator and the initial point of contact for matters relating to this Contract.

Ben Cogswell PRESIDENT
 (Name, Title)
BEN COGSWELL PRESIDENT
 (Printed Name and Title)
600 GREENE STREET MARIETTA OHIO 45750
 (Address)
740-568-4636 740-568-4635 FAX
 (Phone Number) / (Fax Number)
SALES @ FL TANKS . COM
 (email address)

CERTIFICATION AND SIGNATURE: By signing below, or submitting documentation through wvOASIS, I certify that I have reviewed this Solicitation in its entirety; that I understand the requirements, terms and conditions, and other information contained herein; that this bid, offer or proposal constitutes an offer to the State that cannot be unilaterally withdrawn; that the product or service proposed meets the mandatory requirements contained in the Solicitation for that product or service, unless otherwise stated herein; that the Vendor accepts the terms and conditions contained in the Solicitation, unless otherwise stated herein; that I am submitting this bid, offer or proposal for review and consideration; that I am authorized by the vendor to execute and submit this bid, offer, or proposal, or any documents related thereto on vendor's behalf; that I am authorized to bind the vendor in a contractual relationship; and that to the best of my knowledge, the vendor has properly registered with any State agency that may require registration.

FL TANKS
 (Company)
Ben Cogswell BEN COGSWELL PRESIDENT
 (Authorized Signature) (Representative Name, Title)
BEN COGSWELL PRESIDENT
 (Printed Name and Title of Authorized Representative)
7/12/17
 (Date)
740-568-4636 740-568-4635 FAX
 (Phone Number) (Fax Number)

CRFQ 0803 DOT1700000097
REQUEST FOR QUOTATION
Polyethylene Brine Storage Tanks

bid, the Vendor certifies that it can supply the Contract Items contained in its bid response.

- 8.3 Reports:** Vendor shall provide quarterly reports and annual summaries to the Agency showing the Agency's items purchased, quantities of items purchased and total dollar value of the items purchased. Vendor shall also provide reports, upon request, showing the items purchased during the term of this Contract, the quantity purchased for each of those items and the total value of purchases for each of those items. Failure to supply such reports may be grounds for cancellation of this Contract.
- 8.4 Contract Manager:** During its performance of this Contract, the Vendor must designate and maintain a primary contract manager responsible for overseeing the Vendor's responsibilities under this Contract. The Contract manager must be available during normal business hours to address any customer service or other issues related to this Contract. The Vendor should list its Contract manager and his or her contact information below.

Contract Manager: BEN COGSWELL
Telephone Number: 740-568-4636
Fax Number: 740-568-4635
Email Address: SALES@FLTANKS.COM

ADDENDUM ACKNOWLEDGEMENT FORM
SOLICITATION NO.: CRFO 0803 DOT1700000097

Instructions: Please acknowledge receipt of all addenda issued with this solicitation by completing this addendum acknowledgment form. Check the box next to each addendum received and sign below. Failure to acknowledge addenda may result in bid disqualification.

Acknowledgment: I hereby acknowledge receipt of the following addenda and have made the necessary revisions to my proposal, plans and/or specification, etc.

Addendum Numbers Received:

(Check the box next to each addendum received)

- | | | |
|--|--|---|
| <input checked="" type="checkbox"/> Addendum No. 1 | <input type="checkbox"/> Addendum No. 6 | 07/12/17 16:15:21
WV Purchasing Division |
| <input type="checkbox"/> Addendum No. 2 | <input type="checkbox"/> Addendum No. 7 | |
| <input type="checkbox"/> Addendum No. 3 | <input type="checkbox"/> Addendum No. 8 | |
| <input type="checkbox"/> Addendum No. 4 | <input type="checkbox"/> Addendum No. 9 | |
| <input type="checkbox"/> Addendum No. 5 | <input type="checkbox"/> Addendum No. 10 | |

I understand that failure to confirm the receipt of addenda may be cause for rejection of this bid. I further understand that that any verbal representation made or assumed to be made during any oral discussion held between Vendor's representatives and any state personnel is not binding. Only the information issued in writing and added to the specifications by an official addendum is binding.

FL TANKS INC

Company



Authorized Signature

07-12-17

Date

NOTE: This addendum acknowledgement should be submitted with the bid to expedite document processing.