

mikecoburntrucks@gmail.com

Vendor: Heritage EQ **Contact Name:** DOT 1700000088 **Email:** _____ **Phone:** 304-887-1044

Item No.	Description:	Make/Model & Year	Estimated Unit Quantity	Unit Price	Item Total Cost
1	Complete Unit: Cab Chassis/Dump Body w/Hyd. System w/Front snow plow & 9.5 V-box spreader	Western Star 4700 2018 pilot 2019 Balance w/Ace	120	\$212,215. ⁰⁰ -	\$25,465,800. ⁰⁰ -
2	Complete Unit: Cab Chassis/Dump Body w/Hyd. System, w/Front snow plow & 9.5 V-box spreader, & Right front wing plow	Western Star 4700 2018 pilot 2019 Balance w/Ace	50	\$225,727. ⁰⁰ -	\$11,286,350. ⁰⁰ -
3	Anti-Icing Tank & Spray System	Ace	50	\$15,790. ⁰⁰ -	\$789,500. ⁰⁰ -
Total Bid Cost					\$37,541,650. ⁰⁰ -

08/15/17 12:43:14
MM Purchasing Division

Bid will be awarded to the lowest overall bid total for all items

All item numbers shall be available to purchase separately on as needed basis

A Alternate Bid

m.keecoburntrucks@gmail.com

Vendor: Heritage EQ **Contact Name:** DOT 1700000088 **Email:** _____ **Phone:** 304-887-1044

Item No.	Description:	Make/Model & Year	Estimated Unit Quantity	Unit Price	Item Total Cost
1	Complete Unit: Cab Chassis/Dump Body w/Hyd. System w/Front snow plow & 9.5 V-box spreader	Western Star 4700 2018 p. lot 2019 Balance w/ Acc	120	\$205,981. ⁰⁰ -	\$24,717,720. ⁰⁰ -
2	Complete Unit: Cab Chassis/Dump Body w/Hyd. System, w/Front snow plow & 9.5 V-box spreader, & Right front wing plow	Western Star 4700 2018 p. lot 2019 Balance w/ Acc	50	\$219,493. ⁰⁰ -	\$10,974,650. ⁰⁰ -
3	Anti-icing Tank & Spray System	Acc	50	\$15,790. ⁰⁰ -	\$789,500. ⁰⁰ -
Total Bid Cost					\$36,481,870.⁰⁰ -

Bid will be awarded to the lowest overall bid total for all items

All item numbers shall be available to purchase separately on as needed basis



Purchasing Division
2019 Washington Street East
Post Office Box 50130
Charleston, WV 25305-0130

State of West Virginia
Request for Quotation
13 - Equipment

Proc Folder: 316206

Doc Description: ADDENDUM_2: Tandem Axle Dump Truck w/ Hyd Sys & Accessories

Proc Type: Central Master Agreement

Date Issued	Solicitation Closes	Solicitation No	Version
2017-08-01	2017-08-15 13:30:00	CRFQ 0803 DOT1700000088	3

BID RECEIVING LOCATION

BID CLERK
DEPARTMENT OF ADMINISTRATION
PURCHASING DIVISION
2019 WASHINGTON ST E
CHARLESTON WV 25305
US

VENDOR

Vendor Name, Address and Telephone Number:

*Heritage Equipment, Inc.
322 Dry Hill Rd.
Beckley WV 25801
304-887-1044*

FOR INFORMATION CONTACT THE BUYER

Mark A Atkins
(304) 558-2307
mark.a.atkins@wv.gov

Signature X *Mark Atkins* 000000209676
FEIN # 550759079 DATE 8-15-2017

All offers subject to all terms and conditions contained in this solicitation

ADDENDUM ACKNOWLEDGEMENT FORM
SOLICITATION NO.: CRFQ 0803 DOT1700000088

Instructions: Please acknowledge receipt of all addenda issued with this solicitation by completing this addendum acknowledgment form. Check the box next to each addendum received and sign below. Failure to acknowledge addenda may result in bid disqualification.

Acknowledgment: I hereby acknowledge receipt of the following addenda and have made the necessary revisions to my proposal, plans and/or specification, etc.

Addendum Numbers Received:

(Check the box next to each addendum received)

- | | |
|----------------------------------------------------|------------------------------------------|
| <input checked="" type="checkbox"/> Addendum No. 1 | <input type="checkbox"/> Addendum No. 6 |
| <input type="checkbox"/> Addendum No. 2 | <input type="checkbox"/> Addendum No. 7 |
| <input type="checkbox"/> Addendum No. 3 | <input type="checkbox"/> Addendum No. 8 |
| <input type="checkbox"/> Addendum No. 4 | <input type="checkbox"/> Addendum No. 9 |
| <input type="checkbox"/> Addendum No. 5 | <input type="checkbox"/> Addendum No. 10 |

I understand that failure to confirm the receipt of addenda may be cause for rejection of this bid. I further understand that that any verbal representation made or assumed to be made during any oral discussion held between Vendor's representatives and any state personnel is not binding. Only the information issued in writing and added to the specifications by an official addendum is binding.

Heritage Equipment, Inc.

Company

Mick Adams

Authorized Signature

8-15-2017

Date

NOTE: This addendum acknowledgment should be submitted with the bid to expedite document processing.

DESIGNATED CONTACT: Vendor appoints the individual identified in this Section as the Contract Administrator and the initial point of contact for matters relating to this Contract.

Mike Coburn Fleet Sales
(Name, Title)
Heritage Equipment, Inc.
(Printed Name and Title)
322 Dry Hill Rd.
(Address)
Beckley, W.V. 25801 304-887-1044, 304-254-9007 FAX
(Phone Number) / (Fax Number)
mikecoburntrucks@gmail.com
(email address)

CERTIFICATION AND SIGNATURE: By signing below, or submitting documentation through wvOASIS, I certify that I have reviewed this Solicitation in its entirety; that I understand the requirements, terms and conditions, and other information contained herein; that this bid, offer or proposal constitutes an offer to the State that cannot be unilaterally withdrawn; that the product or service proposed meets the mandatory requirements contained in the Solicitation for that product or service, unless otherwise stated herein; that the Vendor accepts the terms and conditions contained in the Solicitation, unless otherwise stated herein; that I am submitting this bid, offer or proposal for review and consideration; that I am authorized by the vendor to execute and submit this bid, offer, or proposal, or any documents related thereto on vendor's behalf; that I am authorized to bind the vendor in a contractual relationship; and that to the best of my knowledge, the vendor has properly registered with any State agency that may require registration.

Heritage Equipment, Inc.
(Company)

Mike Coburn Fleet Sales
(Authorized Signature) (Representative Name, Title)

Mike Coburn Fleet Sales
(Printed Name and Title of Authorized Representative)

8-15-2017
(Date)

304-887-1044 304-254-9007
(Phone Number) (Fax Number)

STATE OF WEST VIRGINIA
Purchasing Division

PURCHASING AFFIDAVIT

MANDATE: Under W. Va. Code §5A-3-10a, no contract or renewal of any contract may be awarded by the state or any of its political subdivisions to any vendor or prospective vendor when the vendor or prospective vendor or a related party to the vendor or prospective vendor is a debtor and: (1) the debt owed is an amount greater than one thousand dollars in the aggregate; or (2) the debtor is in employer default.

EXCEPTION: The prohibition listed above does not apply where a vendor has contested any tax administered pursuant to chapter eleven of the W. Va. Code, workers' compensation premium, permit fee or environmental fee or assessment and the matter has not become final or where the vendor has entered into a payment plan or agreement and the vendor is not in default of any of the provisions of such plan or agreement.

DEFINITIONS:

"Debt" means any assessment, premium, penalty, fine, tax or other amount of money owed to the state or any of its political subdivisions because of a judgment, fine, permit violation, license assessment, defaulted workers' compensation premium, penalty or other assessment presently delinquent or due and required to be paid to the state or any of its political subdivisions, including any interest or additional penalties accrued thereon.

"Employer default" means having an outstanding balance or liability to the old fund or to the uninsured employers' fund or being in policy default, as defined in W. Va. Code § 23-2c-2, failure to maintain mandatory workers' compensation coverage, or failure to fully meet its obligations as a workers' compensation self-insured employer. An employer is not in employer default if it has entered into a repayment agreement with the Insurance Commissioner and remains in compliance with the obligations under the repayment agreement.

"Related party" means a party, whether an individual, corporation, partnership, association, limited liability company or any other form or business association or other entity whatsoever, related to any vendor by blood, marriage, ownership or contract through which the party has a relationship of ownership or other interest with the vendor so that the party will actually or by effect receive or control a portion of the benefit, profit or other consideration from performance of a vendor contract with the party receiving an amount that meets or exceed five percent of the total contract amount.

AFFIRMATION: By signing this form, the vendor's authorized signer affirms and acknowledges under penalty of law for false swearing (W. Va. Code §61-5-3) that neither vendor nor any related party owe a debt as defined above and that neither vendor nor any related party are in employer default as defined above, unless the debt or employer default is permitted under the exception above.

WITNESS THE FOLLOWING SIGNATURE:

Vendor's Name: Heritage Equipment Inc.

Authorized Signature: *Mike Colman* Date: 8-15-2017

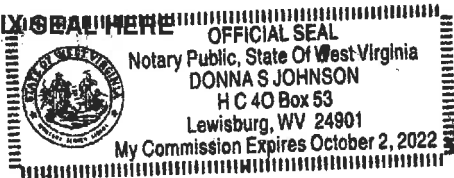
State of WV

County of Raleigh, to-wit:

Taken, subscribed, and sworn to before me this 15th day of August, 2017.

My Commission expires October 2, 2022.

AFFIX SEAL HERE



NOTARY PUBLIC

Donna S Johnson

Purchasing Affidavit (Revised 08/01/2015)

State of West Virginia

VENDOR PREFERENCE CERTIFICATE

Certification and application is hereby made for Preference in accordance with **West Virginia Code**, §5A-3-37. (Does not apply to construction contracts). **West Virginia Code**, §5A-3-37, provides an opportunity for qualifying vendors to request (at the time of bid) preference for their residency status. Such preference is an evaluation method only and will be applied only to the cost bid in accordance with the **West Virginia Code**. This certificate for application is to be used to request such preference. The Purchasing Division will make the determination of the Vendor Preference, if applicable.

1. **Application is made for 2.5% vendor preference for the reason checked:**
 Bidder is an individual resident vendor and has resided continuously in West Virginia for four (4) years immediately preceding the date of this certification; **or**,
 Bidder is a partnership, association or corporation resident vendor and has maintained its headquarters or principal place of business continuously in West Virginia for four (4) years immediately preceding the date of this certification;
 Bidder is a resident vendor partnership, association, or corporation with at least eighty percent of ownership interest of bidder held by another entity that meets the applicable four year residency requirement; **or**,
 Bidder is a nonresident vendor which has an affiliate or subsidiary which employs a minimum of one hundred state residents and which has maintained its headquarters or principal place of business within West Virginia continuously for the four (4) years immediately preceding the date of this certification; **or**,
2. **Application is made for 2.5% vendor preference for the reason checked:**
 Bidder is a resident vendor who certifies that, during the life of the contract, on average at least 75% of the employees working on the project being bid are residents of West Virginia who have resided in the state continuously for the two years immediately preceding submission of this bid; **or**,
3. **Application is made for 2.5% vendor preference for the reason checked:**
 Bidder is a nonresident vendor that employs a minimum of one hundred state residents, or a nonresident vendor which has an affiliate or subsidiary which maintains its headquarters or principal place of business within West Virginia and employs a minimum of one hundred state residents, and for purposes of producing or distributing the commodities or completing the project which is the subject of the bidder's bid and continuously over the entire term of the project, on average at least seventy-five percent of the bidder's employees or the bidder's affiliate's or subsidiary's employees are residents of West Virginia who have resided in the state continuously for the two immediately preceding years and the vendor's bid; **or**,
4. **Application is made for 5% vendor preference for the reason checked:**
 Bidder meets either the requirement of both subdivisions (1) and (2) or subdivision (1) and (3) as stated above; **or**,
5. **Application is made for 3.5% vendor preference who is a veteran for the reason checked:**
 Bidder is an individual resident vendor who is a veteran of the United States armed forces, the reserves or the National Guard and has resided in West Virginia continuously for the four years immediately preceding the date on which the bid is submitted; **or**,
6. **Application is made for 3.5% vendor preference who is a veteran for the reason checked:**
 Bidder is a resident vendor who is a veteran of the United States armed forces, the reserves or the National Guard, if, for purposes of producing or distributing the commodities or completing the project which is the subject of the vendor's bid and continuously over the entire term of the project, on average at least seventy-five percent of the vendor's employees are residents of West Virginia who have resided in the state continuously for the two immediately preceding years.
7. **Application is made for preference as a non-resident small, women- and minority-owned business, in accordance with West Virginia Code §5A-3-59 and West Virginia Code of State Rules.**
 Bidder has been or expects to be approved prior to contract award by the Purchasing Division as a certified small, women- and minority-owned business.

Bidder understands if the Secretary of Revenue determines that a Bidder receiving preference has failed to continue to meet the requirements for such preference, the Secretary may order the Director of Purchasing to: (a) rescind the contract or purchase order; or (b) assess a penalty against such Bidder in an amount not to exceed 5% of the bid amount and that such penalty will be paid to the contracting agency or deducted from any unpaid balance on the contract or purchase order.

By submission of this certificate, Bidder agrees to disclose any reasonably requested information to the Purchasing Division and authorizes the Department of Revenue to disclose to the Director of Purchasing appropriate information verifying that Bidder has paid the required business taxes, provided that such information does not contain the amounts of taxes paid nor any other information deemed by the Tax Commissioner to be confidential.

Bidder hereby certifies that this certificate is true and accurate in all respects; and that if a contract is issued to Bidder and if anything contained within this certificate changes during the term of the contract, Bidder will notify the Purchasing Division in writing immediately.

Bidder: Heritage Equipment, Inc. Signed: Mitch Cohen
Date: 8-15-2017 Title: Fleet Sales



COMPLETE WARRANTY PROVISIONS

**APPLIES TO West Virginia DOT CRFQ 0803 DOT1700000088 TA Dump Truck
Authorized by: Janet Tobin ~ Contract Administrator Dated: Aug 11, 2017**

A. PARTS REPLACEMENT AND REPAIR:

Henderson Products Inc warrants its manufactured products and up-fitting in agreement with Section 8.7 of RFQ 0803 DOT 1700000088. This warranty of our products under normal use and service is limited to replacement and repair, at the company's factory, of any parts which are returned to the factory freight prepaid, and upon examination found to be defective.

B. EXCLUSIONS:

1. This warranty is expressly limited to parts replacement and repair, and is not transferable. Any expressed warranty not herein provided, and any remedy for breach of contract is excluded and disclaimed. The implied warranties of merchantability and of fitness for any particular purpose are limited to warranty specifications Section 8.7 of RFQ 0803 DOT 1700000088.
2. Any component or part manufactured by others will carry that manufacturer's warranty, and in no case will Henderson Products Inc be liable, either expressed or implied, for warranties in excess of those made by the original manufacturer.
3. Henderson Products Inc shall not be liable for loss of time, manufacturing costs, labor, material, loss of profits, incidental, special or consequential damages, direct or indirect, because of defective products, whether due to claims arising under the contract of sale or independently thereof, and whether or not such claim is based on contract, tort or warranty.
4. Repairs or modifications done by others, or parts from other sources outside the company's factory are not covered by this warranty.
5. No agent, employee, or representative of Henderson Products Inc has any authority to make any affirmation, representation, or warranty concerning Henderson Products Inc products, except as specifically stated above.

WARRANTY PROCEDURE

1. Prior authorization by Henderson Products Inc must be obtained for all warranty work.
2. Contact our distributor or Henderson Products Inc giving complete details of your request, the unit involved, including serial number, date purchased, who purchased from, and the nature of or reason for the claim.
3. A Claim number will be assigned, and is required, whenever any warranty is to be paid either in the form of cash, credit, replacement of parts, or service work. The assignment of this does not guarantee warranty will be allowed. This number is to identify the request and track parts that may need to be returned.
4. When warranty replacement parts are shipped, you may be required to return defective part(s) for inspection by Henderson Products Inc or the original manufacturer. In this case, you will be invoiced for shipment of new components until the old unit is returned.

8/2017

August 14, 2017

To: Mike Coburn | Heritage Equipment

From: David Beitzel | Ace Truck Equipment Co.

Subject: West Virginia CRFQ 0803 DOT 1700000088 Tandem Axle Truck Bid

Henderson Products Inc. will fully comply to all specifications with no exceptions. The chassis dealer must include the following items at no charge:

- Integral front full frame extensions
- Plow light connection
- Ground Speed connection per specifications
- Stationary grill
- Minimum 6-pack of lighting switches on dash per specifications
- PTO switch on dash per specifications
- 7-Pole plug at back of cab chassis – Item 3.1.21.6

The Henderson warranty information has been provided as well stating compliance with Section 8.7 of the bid specifications.

In addition to quoted products and installation, the following option pricing is offered:

- Charge for moving air tank \$500.00
- Charge for moving battery box \$500.00

Vendor: _____ **Contact Name:** _____ **Email:** _____ **Phone:** _____

Item No.	Description:	Make/Model & Year	Estimated Unit Quantity	Unit Price	Item Total Cost
1	Complete Unit: Cab Chassis/Dump Body w/Hyd. System w/Front snow plow & 9.5 V-box spreader		120	\$88,504.00	\$10,620,480.00 -
2	Complete Unit: Cab Chassis/Dump Body w/Hyd. System, w/Front snow plow & 9.5 V-box spreader, & Right front wing plow		50	\$102,016.00 -	\$5,100,800.00 -
3	Anti-icing Tank & Spray System		50	\$15,790.00 -	\$789,500.00 -
Total Bid Cost					\$16,510,780.00 -

Bid will be awarded to the lowest overall bid total for all items

All item numbers shall be available to purchase separately on as needed basis

Prepared for:
MARCIA LEE
WVDOT EQUIPMENT DIVISION
83 BRUSHY FORK RD
CROSSIN
BUCKHANNON, WV 26201
Phone: 304-473-4206

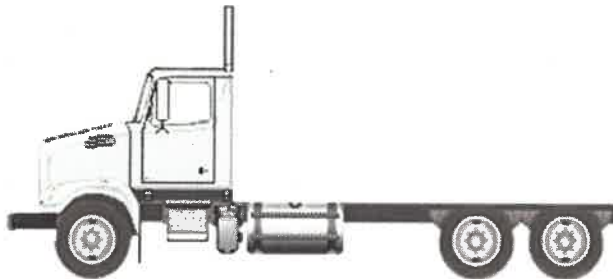
Prepared by:
Bobby Slade
HERITAGE EQUIPMENT, INC.
322 DRY HILL RD.
BECKLEY, WV 25801
Phone: (304) 254-7827

A proposal for
WVDOT EQUIPMENT DIVISION

Prepared by
HERITAGE EQUIPMENT, INC.
MIKE COBURN

Aug 15, 2017

2018 & 2019 YEAR MODEL MEETING SPECIFICATIONS
Western Star 4700SF



Components shown may not reflect all spec'd options and are not to scale

Prepared for:
 MARCIA LEE
 WVDOT EQUIPMENT DIVISION
 83 BRUSHY FORK RD
 CROSSIN
 BUCKHANNON, WV 26201
 Phone: 304-473-4206

Prepared by:
 Bobby Slade
 HERITAGE EQUIPMENT, INC.
 322 DRY HILL RD.
 BECKLEY, WV 25801
 Phone: (304) 254-7827

S P E C I F I C A T I O N P R O P O S A L

Data Code	Description	Weight Front	Weight Rear	Retail Price
Price Level				
PRL-16T	WESTERN STAR 4700 PRL-16T (EFF:04/25/17)			STD
Data Version				
DRL-015	SPECPRO21 DATA RELEASE VER 015			N/C
Vehicle Configuration				
001-450	4700 SET-FORWARD FRONT AXLE CHASSIS	9,100	6,720	\$162,345.00
004-218	2018 MODEL YEAR SPECIFIED			STD
002-003	SET FORWARD AXLE - TRUCK			STD
019-001	TRAILER TOWING PROVISION AT END OF FRAME FOR TRUCK	10	10	\$633.00
003-001	LH PRIMARY STEERING LOCATION			STD
General Service				
AA1-003	TRUCK/TRAILER CONFIGURATION			N/C
AA6-002	DOMICILED, USA (EXCLUDING CALIFORNIA AND CARB OPT-IN STATES)			N/C
A85-011	CONSTRUCTION SERVICE			STD
A84-1RO	ROAD AND HIGHWAY MAINTENANCE BUSINESS SEGMENT			N/C
AA4-003	DRY BULK COMMODITY			STD
AA5-002	TERRAIN/DUTY: 100% (ALL) OF THE TIME, IN TRANSIT, IS SPENT ON PAVED ROADS			STD
AB1-008	MAXIMUM 8% EXPECTED GRADE			STD
AB5-001	SMOOTH CONCRETE OR ASPHALT PAVEMENT - MOST SEVERE IN-TRANSIT (BETWEEN SITES) ROAD SURFACE			STD
995-1A5	WESTERN STAR VOCATIONAL WARRANTY			STD
A66-99D	EXPECTED FRONT AXLE(S) LOAD : 20000.0 lbs			
A68-99D	EXPECTED REAR DRIVE AXLE(S) LOAD : 44000.0 lbs			
A63-99D	EXPECTED GROSS VEHICLE WEIGHT CAPACITY : 64000.0 lbs			



Prepared for:
 MARCIA LEE
 WVDOT EQUIPMENT DIVISION
 83 BRUSHY FORK RD
 CROSSIN
 BUCKHANNON, WV 26201
 Phone: 304-473-4206

Prepared by:
 Bobby Slade
 HERITAGE EQUIPMENT, INC.
 322 DRY HILL RD.
 BECKLEY, WV 25801
 Phone: (304) 254-7827

Data Code	Description	Weight Front	Weight Rear	Retail Price
A70-99D	EXPECTED GROSS COMBINATION WEIGHT : 80000.0 lbs			
Truck Service				
AA3-018	FRONT PLOW/END DUMP BODY			N/C
Engine				
101-2XY	DETROIT DD13 12.8L 505 HP @ 1625 RPM, 1900 GOV RPM, 1850 LB/FT @ 975 RPM			\$1,749.00
Electronic Parameters				
79A-065	65 MPH ROAD SPEED LIMIT			N/C
79B-000	CRUISE CONTROL SPEED LIMIT SAME AS ROAD SPEED LIMIT			N/C
79G-006	5 MINUTES IDLE SHUTDOWN WITH CLUTCH AND SERVICE BRAKE OVERRIDE			N/C
79K-001	PTO MODE ENGINE RPM LIMIT - 600 RPM			N/C
79M-002	PTO MODE BRAKE OVERRIDE - SERVICE BRAKE APPLIED OR PARK BRAKE NOT APPLIED			N/C
79P-001	PTO RPM WITH CRUISE SET SWITCH - 600 RPM			N/C
79Q-001	PTO RPM WITH CRUISE RESUME SWITCH - 600 RPM			N/C
79T-001	PTO MODE RPM INCREMENT - 25 RPM			N/C
79W-001	ONE REMOTE PTO SPEED			N/C
79X-005	REMOTE PTO SPEED 1 SETTING - 900 RPM			N/C
80D-001	SOFT CRUISE CONTROL ENABLED			N/C
80G-001	PTO MINIMUM RPM - 600			N/C
Engine Equipment				
99C-017	2016 ONBOARD DIAGNOSTICS/2010 EPA/CARB/FINAL GHG17 CONFIGURATION			STD
99D-011	2008 CARB EMISSION CERTIFICATION - CLEAN IDLE (INCLUDES 6X4 INCH LABEL ON LOWER FORWARD CORNER OF DRIVER DOOR)			\$106.00
PMT-998	NO 2013 ENGINE ESCALATOR			N/C
13E-001	STANDARD OIL PAN			STD
105-001	ENGINE MOUNTED OIL CHECK AND FILL			STD
133-004	ONE PIECE VALVE COVER			STD
014-108	SIDE OF HOOD AIR INTAKE WITH FIREWALL MOUNTED DONALDSON AIR CLEANER WITH SAFETY ELEMENT AND INSIDE/OUTSIDE AIR WITH SNOW DOOR	10		\$367.00
124-1D7	DR 12V 160 AMP 28-SI QUADRAMOUNT PAD ALTERNATOR WITH REMOTE BATTERY VOLT SENSE			STD



Prepared for:
 MARCIA LEE
 WVDOT EQUIPMENT DIVISION
 83 BRUSHY FORK RD
 CROSSIN
 BUCKHANNON, WV 26201
 Phone: 304-473-4206

Prepared by:
 Bobby Slade
 HERITAGE EQUIPMENT, INC.
 322 DRY HILL RD.
 BECKLEY, WV 25801
 Phone: (304) 254-7827

Data Code	Description	Weight Front	Weight Rear	Retail Price
292-161	(3) ALLIANCE ABSORBED GLASS MAT MODEL FAHRENHEIT, GROUP 31, 12 VOLT MAINTENANCE FREE 2775 CCA THREADED STUD BATTERIES			\$325.00
290-017	BATTERY BOX FRAME MOUNTED	35		\$65.00
282-001	SINGLE BATTERY BOX FRAME MOUNTED LH SIDE UNDER CAB			N/C
291-017	WIRE GROUND RETURN FOR BATTERY CABLES WITH ADDITIONAL FRAME GROUND RETURN			STD
289-001	NON-POLISHED BATTERY BOX COVER			N/C
107-044	BW MODEL BA-921 19.0 CFM SINGLE CYLINDER AIR COMPRESSOR WITH SAFETY VALVE			STD
131-013	AIR COMPRESSOR DISCHARGE LINE			STD
152-041	ELECTRONIC ENGINE INTEGRAL SHUTDOWN PROTECTION SYSTEM			STD
128-002	JACOBS COMPRESSION BRAKE			STD
016-1C2	RH OUTBOARD UNDER STEP MOUNTED HORIZONTAL AFTERTREATMENT SYSTEM ASSEMBLY WITH RH B-PILLAR MOUNTED VERTICAL TAILPIPE			STD
28F-002	ENGINE AFTERTREATMENT DEVICE, AUTOMATIC OVER THE ROAD REGENERATION AND DASH MOUNTED REGENERATION REQUEST SWITCH			STD
239-038	11 FOOT 06 INCH (138 INCH+0/-5.9 INCH) EXHAUST SYSTEM HEIGHT			STD
237-1CR	RH CURVED VERTICAL TAILPIPE B-PILLAR MOUNTED ROUTED FROM STEP			STD
23U-002	13 GALLON DIESEL EXHAUST FLUID TANK	35	10	\$37.00
30N-003	100 PERCENT DIESEL EXHAUST FLUID FILL			\$20.00
23Y-001	STANDARD DIESEL EXHAUST FLUID PUMP MOUNTING			STD
43X-002	LH MEDIUM DUTY STANDARD DIESEL EXHAUST FLUID TANK LOCATION			STD
242-001	STAINLESS STEEL AFTERTREATMENT DEVICE/MUFFLER/TAILOPIPE SHIELD			STD
273-036	BORG WARNER (KYSOR) REAR AIR ON/OFF ENGINE FAN CLUTCH			STD
276-001	AUTOMATIC FAN CONTROL WITHOUT DASH SWITCH, NON ENGINE MOUNTED			STD
110-068	DDC SUPPLIED ENGINE MOUNTED FUEL FILTER/FUEL WATER SEPARATOR WITH WATER-IN-FUEL INDICATOR			STD
118-001	FULL FLOW OIL FILTER			STD



Prepared for:
 MARCIA LEE
 WVDOT EQUIPMENT DIVISION
 83 BRUSHY FORK RD
 CROSSIN
 BUCKHANNON, WV 26201
 Phone: 304-473-4206

Prepared by:
 Bobby Slade
 HERITAGE EQUIPMENT, INC.
 322 DRY HILL RD.
 BECKLEY, WV 25801
 Phone: (304) 254-7827

Data Code	Description	Weight Front	Weight Rear	Retail Price
266-057	1500 SQUARE INCH ALUMINUM RADIATOR			STD
267-006	MOUNTING FOR FIREWALL MOUNTED SURGE TANK			STD
103-039	ANTIFREEZE TO -34F, OAT (NITRITE AND SILICATE FREE) EXTENDED LIFE COOLANT			(\$10.00)
171-007	GATES BLUE STRIPE COOLANT HOSES OR EQUIVALENT			STD
172-001	CONSTANT TENSION HOSE CLAMPS FOR COOLANT HOSES			STD
270-023	HDEP FIXED RATIO COOLANT PUMP AND RADIATOR DRAIN VALVE			STD
168-998	NO RADIATOR/OIL PAN GUARD	-5		(\$94.00)
138-005	PHILLIPS-TEMRO 1500 WATT/115 VOLT BLOCK HEATER			STD
166-005	PHILLIPS-TEMRO 300 WATT/115 VOLT OIL PREHEATER			STD
140-022	CHROME ENGINE HEATER RECEPTACLE MOUNTED UNDER LH DOOR			STD
134-001	ALUMINUM FLYWHEEL HOUSING			STD
155-074	DELCO 12V MOD 3.175-39MT+ OCP STARTER WITH THERMAL PROTECTION AND INTEGRATED MAGNETIC SWITCH			STD

Transmission

342-1M3	ALLISON 4500 RDS AUTOMATIC TRANSMISSION WITH PTO PROVISION	170	50	\$21,767.00
---------	------------------------------------------------------------	-----	----	-------------

Transmission Equipment

343-339	ALLISON VOCATIONAL PACKAGE 223 - AVAILABLE ON 3000/4000 PRODUCT FAMILIES WITH VOCATIONAL MODELS RDS, HS, MH AND TRV			N/C
84B-012	ALLISON VOCATIONAL RATING FOR ON/OFF HIGHWAY APPLICATIONS AVAILABLE WITH ALL PRODUCT FAMILIES			N/C
84C-023	PRIMARY MODE GEARS, LOWEST GEAR 1, START GEAR 1, HIGHEST GEAR 6, AVAILABLE FOR 3000/4000 PRODUCT FAMILIES ONLY			N/C
84D-023	SECONDARY MODE GEARS, LOWEST GEAR 1, START GEAR 1, HIGHEST GEAR 6, AVAILABLE FOR 3000/4000 PRODUCT FAMILIES ONLY			N/C
84E-000	PRIMARY SHIFT SCHEDULE RECOMMENDED BY DTNA AND ALLISON, THIS DEFINED BY ENGINE AND VOCATIONAL USAGE			N/C



Prepared for:
 MARCIA LEE
 WVDOT EQUIPMENT DIVISION
 83 BRUSHY FORK RD
 CROSSIN
 BUCKHANNON, WV 26201
 Phone: 304-473-4206

Prepared by:
 Bobby Slade
 HERITAGE EQUIPMENT, INC.
 322 DRY HILL RD.
 BECKLEY, WV 25801
 Phone: (304) 254-7827

Data Code	Description	Weight Front	Weight Rear	Retail Price
84F-000	SECONDARY SHIFT SCHEDULE RECOMMENDED BY DTNA AND ALLISON, THIS DEFINED BY ENGINE AND VOCATIONAL USAGE			N/C
84G-000	PRIMARY SHIFT SPEED RECOMMENDED BY DTNA AND ALLISON, THIS DEFINED BY ENGINE AND VOCATIONAL USAGE			N/C
84H-000	SECONDARY SHIFT SPEED RECOMMENDED BY DTNA AND ALLISON, THIS DEFINED BY ENGINE AND VOCATIONAL USAGE			N/C
84L-010	DISABLE - LOAD BASED SHIFT SCHEDULE, DISABLE - VEHICLE ACCELERATION CONTROL			N/C
34C-010	ELECTRONIC TRANSMISSION CUSTOMER ACCESS CONNECTOR, BLUNT CUT, MOUNTED BETWEEN DRIVER AND PASSENGER SEATS			\$175.00
362-035	CUSTOMER INSTALLED CHELSEA 277 SERIES PTO			N/C
363-001	PTO MOUNTING, LH SIDE OF MAIN TRANSMISSION			N/C
341-018	MAGNETIC PLUGS, ENGINE DRAIN, TRANSMISSION DRAIN, AXLE(S) FILL AND DRAIN			N/C
345-003	PUSH BUTTON ELECTRONIC SHIFT CONTROL, DASH MOUNTED			N/C
97G-004	TRANSMISSION PROGNOSTICS - ENABLED 2013			N/C
370-011	WATER TO OIL TRANSMISSION COOLER, FRAME MOUNTED	15		N/C
346-003	TRANSMISSION OIL CHECK AND FILL WITH ELECTRONIC OIL LEVEL CHECK			N/C
35T-001	SYNTHETIC TRANSMISSION FLUID (TES-295 COMPLIANT)			N/C

Front Axle and Equipment

400-1BB	DETROIT DA-F-20.0-5 20,000# FL1 71.0 KPI/3.74 DROP SINGLE FRONT AXLE			\$1,487.00
402-030	MERITOR 16.5X6 Q+ CAST SPIDER CAM FRONT BRAKES, DOUBLE ANCHOR, FABRICATED SHOES			STD
403-002	NON-ASBESTOS FRONT BRAKE LINING			STD
419-023	CONMET CAST IRON FRONT BRAKE DRUMS			STD
427-001	FRONT BRAKE DUST SHIELDS	5		\$102.00
409-006	FRONT OIL SEALS			N/C
408-001	VENTED FRONT HUB CAPS WITH WINDOW, CENTER AND SIDE PLUGS - OIL			STD
416-022	STANDARD SPINDLE NUTS FOR ALL AXLES			STD



Prepared for:
 MARCIA LEE
 WVDOT EQUIPMENT DIVISION
 83 BRUSHY FORK RD
 CROSSIN
 BUCKHANNON, WV 26201
 Phone: 304-473-4206

Prepared by:
 Bobby Slade
 HERITAGE EQUIPMENT, INC.
 322 DRY HILL RD.
 BECKLEY, WV 25801
 Phone: (304) 254-7827

Data Code	Description	Weight Front	Weight Rear	Retail Price
405-031	HALDEX AUTOMATIC FRONT SLACK ADJUSTERS WITH STAINLESS STEEL CLEVIS PINS			\$9.00
406-001	STANDARD KING PIN BUSHINGS			STD
536-055	TRW THP-60 POWER STEERING WITH RCH45 AUXILIARY GEAR	90		N/C
539-003	POWER STEERING PUMP			STD
534-003	4 QUART POWER STEERING RESERVOIR			N/C
533-001	OIL/AIR POWER STEERING COOLER			N/C
40T-003	SYNTHETIC 50W FRONT AXLE LUBE			STD
Front Suspension				
620-006	20,000# FLAT LEAF FRONT SUSPENSION	50		\$147.00
619-004	GRAPHITE BRONZE BUSHINGS WITH SEALS - FRONT SUSPENSION			STD
410-001	FRONT SHOCK ABSORBERS			\$202.00
Rear Axle and Equipment				
* 420-1H6	D46-590P 46,000# DOUBLE REDUCTION TANDEM REAR AXLE		480	\$13,610.00
421-430	4.30 REAR AXLE RATIO			N/C
424-001	IRON REAR AXLE CARRIER WITH STANDARD AXLE HOUSING		-30	N/C
386-078	MXL 18N MERITOR EXTENDED LUBE MAIN DRIVELINE WITH FULL ROUND YOKES	40	40	\$500.00
388-076	MXL 17N MERITOR EXTENDED LUBE INTERAXLE DRIVELINE WITH FULL ROUND YOKES			N/C
878-019	(1) INTERAXLE LOCK VALVE FOR TANDEM OR TRIDEM DRIVE AXLES			STD
87A-005	INDICATOR LIGHT FOR EACH INTERAXLE LOCKOUT SWITCH			STD
423-020	MERITOR 16.5X7 Q+ CAST SPIDER CAM REAR BRAKES, DOUBLE ANCHOR, FABRICATED SHOES			STD
433-002	NON-ASBESTOS REAR BRAKE LINING			STD
434-019	ASPHALT SPREADER CLEARANCE REAR BRAKE GEOMETRY			N/C
451-023	CONMET CAST IRON REAR BRAKE DRUMS			STD
425-002	REAR BRAKE DUST SHIELDS		10	\$116.00
440-006	REAR OIL SEALS			N/C
426-1B3	BENDIX EVERSURE LONGSTROKE 2-DRIVE AXLES SPRING PARKING CHAMBERS			\$35.00



Prepared for:
 MARCIA LEE
 WVDOT EQUIPMENT DIVISION
 83 BRUSHY FORK RD
 CROSSIN
 BUCKHANNON, WV 26201
 Phone: 304-473-4206

Prepared by:
 Bobby Slade
 HERITAGE EQUIPMENT, INC.
 322 DRY HILL RD.
 BECKLEY, WV 25801
 Phone: (304) 254-7827

Data Code	Description	Weight Front	Weight Rear	Retail Price
428-031	HALDEX AUTOMATIC REAR SLACK ADJUSTERS WITH STAINLESS STEEL CLEVIS PINS			\$4.00
41T-002	SYNTHETIC 75W-90 REAR AXLE LUBE			STD
Rear Suspension				
622-1CJ	HENDRICKSON RT463 @46,000# REAR SUSPENSION		730	\$2,722.00
621-016	HENDRICKSON RT/RTE - 7.19" SADDLE			N/C
431-001	STANDARD AXLE SEATS IN AXLE CLAMP GROUP			N/C
624-009	54 INCH AXLE SPACING		10	\$248.00
628-005	STEEL BEAMS AND BRONZE CENTER BUSHINGS WITH BAR PIN ADJUSTABLE END CONNECTIONS			N/C
623-005	FORE/AFT CONTROL RODS			N/C
Brake System				
490-100	WABCO 4S/4M ABS WITHOUT TRACTION CONTROL			STD
871-001	REINFORCED NYLON, FABRIC BRAID AND WIRE BRAID CHASSIS AIR LINES			STD
904-001	FIBER BRAID PARKING BRAKE HOSE			STD
412-001	STANDARD BRAKE SYSTEM VALVES			STD
432-003	RELAY VALVE WITH 5-8 PSI CRACK PRESSURE, NO REAR PROPORTIONING VALVE			STD
480-083	WABCO SS-1200 PLUS AIR DRYER WITH INTEGRAL AIR GOVERNOR AND HEATER			STD
483-998	NO AIR SYSTEM OIL FILTER			STD
479-004	AIR DRYER MOUNTED OUTBOARD ON LH RAIL			STD
460-007	ALUMINUM AIR BRAKE RESERVOIRS	-15	-15	\$184.00
607-018	CLEAR FRAME RAIL FROM BACK OF CAB TO FRONT REAR SUSPENSION BRACKET, RH RAIL INSIDE/OUTBOARD AND BELOW			\$63.00
477-001	PULL CABLE ON WET TANK, PETCOCK DRAIN VALVES ON ALL OTHER AIR TANKS			STD
Trailer Connections				
914-001	AIR CONNECTIONS TO END OF FRAME WITH GLAD HANDS FOR TRUCK AND NO DUST COVERS			N/C
296-010	PRIMARY CONNECTOR/RECEPTACLE WIRED FOR SEPARATE STOP/TURN, ABS CENTER PIN POWERED THROUGH IGNITION			N/C
297-001	SAE J560 7-WAY PRIMARY TRAILER CABLE RECEPTACLE MOUNTED END OF FRAME			N/C



Prepared for:
 MARCIA LEE
 WVDOT EQUIPMENT DIVISION
 83 BRUSHY FORK RD
 CROSSIN
 BUCKHANNON, WV 26201
 Phone: 304-473-4206

Prepared by:
 Bobby Slade
 HERITAGE EQUIPMENT, INC.
 322 DRY HILL RD.
 BECKLEY, WV 25801
 Phone: (304) 254-7827

Data Code	Description	Weight Front	Weight Rear	Retail Price
303-004	7-WAY RECEPTACLE BACK OF CAB (IN ADDITION TO STANDARD)	5	5	\$124.00
Wheelbase & Frame				
545-512	5125MM (202 INCH) WHEELBASE			N/C
546-1B2	1/2X3.64X11-7/8 INCH STEEL FRAME (12.7MMX301.6MM/0.5X11.88 INCH) 120KSI	380	220	\$1,787.00
547-034	PARTIAL INNER FRAME REINFORCEMENT AT FRONT SUSPENSION	195	-5	\$979.00
548-803	BODY COMPANY INSTALLED ADDITIONAL FRONT FRAME REINFORCEMENT FOR SNOW PLOW			N/C
552-028	1525MM (60 INCH) REAR FRAME OVERHANG			N/C
55W-005	FRAME OVERHANG RANGE: 51 INCH TO 60 INCH	10	-60	N/C
549-002	24 INCH INTEGRAL FRONT FRAME EXTENSION	110	-10	\$941.00
AC8-99D	CALC'D BACK OF CAB TO REAR SUSP C/L (CA) : 120.78 in			
AE8-99D	CALCULATED EFFECTIVE BACK OF CAB TO REAR SUSPENSION C/L (CA) : 117.78 in			
AE4-99D	CALC'D FRAME LENGTH - OVERALL : 313.69			
AM6-99D	CALC'D SPACE AVAILABLE FOR DECKPLATE : 120.78 in			
FSS-0LH	CALCULATED FRAME SPACE LH SIDE : 7.1 in			N/C
FSS-0RH	CALCULATED FRAME SPACE RH SIDE : 84.39 in			N/C
553-001	SQUARE END OF FRAME			STD
559-001	STANDARD WEIGHT ENGINE CROSSMEMBER			STD
561-001	STANDARD CROSSMEMBER BACK OF TRANSMISSION			STD
562-001	STANDARD MIDSHIP #1 CROSSMEMBER(S)			STD
572-001	STANDARD REARMOST CROSSMEMBER			STD
565-002	HEAVY DUTY SUSPENSION CROSSMEMBER			STD
568-001	STANDARD WEIGHT REAR SUSPENSION CROSSMEMBER			STD
Chassis Equipment				
556-1E5	14 INCH PAINTED STEEL BUMPER			\$237.00
574-001	BUMPER MOUNTING FOR SINGLE LICENSE PLATE			STD
586-015	FRONT ANTI-SPRAY CAB MOUNTED MUDFLAPS			STD
551-007	GRADE 8 THREADED HEX HEADED FRAME FASTENERS			STD
44Z-001	EXTERIOR HARNESSSES WRAPPED IN CONDUIT			STD



Prepared for:
 MARCIA LEE
 WVDOT EQUIPMENT DIVISION
 83 BRUSHY FORK RD
 CROSSIN
 BUCKHANNON, WV 26201
 Phone: 304-473-4206

Prepared by:
 Bobby Slade
 HERITAGE EQUIPMENT, INC.
 322 DRY HILL RD.
 BECKLEY, WV 25801
 Phone: (304) 254-7827

Data Code	Description	Weight Front	Weight Rear	Retail Price
Fuel Tanks				
204-165	125 GALLON/473 LITER ALUMINUM FUEL TANK - LH	15	15	\$330.00
218-006	25 INCH DIAMETER FUEL TANK(S)			STD
215-007	PLAIN ALUMINUM/PAINTED STEEL FUEL/HYDRAULIC TANK(S) WITH POLISHED STAINLESS STEEL BANDS			\$114.00
212-008	FUEL TANK(S) AFT	-35	35	(\$120.00)
664-001	PLAIN STEP FINISH			STD
205-001	FUEL TANK CAP(S)			STD
216-020	EQUIFLO INBOARD FUEL SYSTEM			STD
202-016	HIGH TEMPERATURE REINFORCED NYLON FUEL LINE			STD
221-998	NO FUEL COOLER	-10		(\$121.00)
Tires				
093-1PB	CONTINENTAL CITY SERVICE HA3 315/80R22.5 20 PLY RADIAL FRONT TIRES	100		\$446.00
094-2DY	CONTINENTAL HDC1 11R22.5 16 PLY RADIAL REAR TIRES		136	(\$984.00)
Hubs				
418-060	CONMET PRESET PLUS PREMIUM IRON FRONT HUBS	20		\$114.00
450-060	CONMET PRESET PLUS PREMIUM IRON REAR HUBS			\$255.00
Wheels				
502-355	ACCURIDE 41012 22.5X9.00 10-HUB PILOT 3.12 INSET 10-HAND ALUMINUM DISC FRONT WHEELS	-38		\$120.00
505-1F7	ACCURIDE 41644 ACCU-LITE 22.5X8.25 10-HUB PILOT ALUMINUM DISC REAR WHEELS		-200	\$1,120.00
496-011	FRONT WHEEL MOUNTING NUTS			STD
497-011	REAR WHEEL MOUNTING NUTS			STD
498-011	NYLON WHEEL GUARDS FRONT AND REAR ALL INTERFACES			\$54.00
Cab Exterior				
829-1A8	110 INCH BBC STEEL CONVENTIONAL CAB			STD
82A-023	WESTERN STAR PAINTED ALUMINUM CAB SKIRT			STD
650-044	AIR CAB MOUNTS WITH CHECK VALVE			STD



Prepared for:
 MARCIA LEE
 WVDOT EQUIPMENT DIVISION
 83 BRUSHY FORK RD
 CROSSIN
 BUCKHANNON, WV 26201
 Phone: 304-473-4206

Prepared by:
 Bobby Slade
 HERITAGE EQUIPMENT, INC.
 322 DRY HILL RD.
 BECKLEY, WV 25801
 Phone: (304) 254-7827

Data Code	Description	Weight Front	Weight Rear	Retail Price
648-002	NONREMOVABLE BUGSCREEN MOUNTED BEHIND GRILLE			STD
667-001	FRONT FENDERS			STD
754-001	2 INCH FENDER EXTENSIONS	5		\$89.00
678-039	LH AND RH EXTERIOR GRAB HANDLES WITH RUBBER INSERT AND LH AND RH INTERIOR GRAB HANDLES MOUNTED TO A POST			\$8.00
646-008	STATIONARY BRIGHT FINISH GRILLE			STD
65X-003	CHROME HOOD MOUNTED AIR INTAKE GRILLE			STD
640-008	GALVANEALD STEEL SEVERE SERVICE CAB			STD
644-004	FIBERGLASS HOOD			STD
690-007	HOOD LINER INSULATION WITH SINGLE FIREWALL INSULATION			\$101.00
727-019	SINGLE HADLEY SD-978 26 INCH RECTANGULAR AIR HORN	-4		(\$115.00)
726-001	SINGLE ELECTRIC HORN			STD
728-001	SINGLE HORN SHIELD			N/C
657-1AG	DOORS AND IGNITION KEYED THE SAME			STD
575-001	REAR LICENSE PLATE MOUNT END OF FRAME			STD
327-064	DUAL AMBER LED CLASS I STROBE LIGHTS WITH STAINLESS STEEL BRACKETS	20		\$572.00
312-072	SINGLE RECTANGULAR SEALED BEAM HEADLIGHTS WITH BRIGHT BEZELS			STD
302-022	LED MARKER LAMPS			\$95.00
314-824	WIRING AND SWITCH FOR CUSTOMER FURNISHED SNOW PLOW LAMPS WITH DUAL CONNECTIONS AT BUMPER			\$182.00
294-001	INTEGRAL STOP/TAIL/BACKUP LIGHTS			STD
300-015	STANDARD FRONT TURN SIGNAL LAMPS			STD
744-1E0	DUAL WEST COAST STAINLESS STEEL HEATED MIRRORS WITH LH AND RH REMOTE			\$396.00
797-001	DOOR MOUNTED MIRRORS			STD
796-001	102 INCH EQUIPMENT WIDTH			STD
743-1AA	LH AND RH SUREPLUS 574 8 INCH BRIGHT FINISH HEATED CONVEX MIRRORS WITH SEPARATE ADJUSTMENT, MOUNTED BELOW MIRROR			\$36.00
74A-001	RH DOWN VIEW MIRROR			STD
729-001	STANDARD SIDE/REAR REFLECTORS			STD
768-046	17.5X35 INCH TINTED REAR WINDOW			STD
661-006	TINTED DOOR GLASS			STD
654-011	RH AND LH ELECTRIC POWERED WINDOWS	4		\$151.00



Prepared for:
 MARCIA LEE
 WVDOT EQUIPMENT DIVISION
 83 BRUSHY FORK RD
 CROSSIN
 BUCKHANNON, WV 26201
 Phone: 304-473-4206

Prepared by:
 Bobby Slade
 HERITAGE EQUIPMENT, INC.
 322 DRY HILL RD.
 BECKLEY, WV 25801
 Phone: (304) 254-7827

Data Code	Description	Weight Front	Weight Rear	Retail Price
663-023	2-PIECE TINTED CURVED GASKET MOUNTED HEATED WINDSHIELD			\$473.00
659-025	2 GALLON WINDSHIELD WASHER RESERVOIR WITHOUT FLUID LEVEL INDICATOR, MOUNTED UNDER CAB, WITH REMOTE FILL			STD
Cab Interior				
707-1D0	GRAY VINYL BASE INTERIOR			STD
70K-005	BLACK HARD TRIM			STD
706-049	BASE LEFT HAND DOOR TRIM			STD
708-049	BASE RIGHT HAND DOOR TRIM			STD
772-007	BLACK MATS WITH DOUBLE INSULATION			\$37.00
785-007	DASH MOUNTED ASH TRAY AND LIGHTER, DRIVER SIDE			STD
691-001	FORWARD ROOF MOUNTED CONSOLE			STD
694-009	PASSENGER SIDE WING DASH MOUNTED GLOVE BOX WITH LOCKING DOOR			STD
693-025	LH AND RH DOOR MAP POCKETS			STD
741-015	(2) COAT HOOKS ON BACKWALL OF CAB			N/C
680-034	TWO-TONE CHARCOAL UPPER/COOL GRAY LOWER SOFT TOUCH WING DASH WITH BLACK DRIVER SIDE COSMETIC UNDER DASH COVER			STD
320-004	STANDARD WIRING			STD
720-003	5 LB. FIRE EXTINGUISHER	10		\$57.00
700-023	HEATER, DEFROSTER AND AIR CONDITIONER WITH CONSTANT TEMPERATURE CONTROL AND COSMETIC COVER			STD
701-011	HVAC DUCTING WITH DUST/ODOR MAIN FRESH AIR FILTER AND OUTSIDE PRE-FILTER			\$81.00
703-005	MAIN HVAC CONTROLS WITH RECIRCULATION SWITCH			STD
170-015	STANDARD HEATER PLUMBING			STD
130-033	DENSO HEAVY DUTY AIR CONDITIONER COMPRESSOR			STD
698-001	RADIATOR MOUNTED AIR CONDITIONER CONDENSER			STD
702-002	BINARY CONTROL, R-134A			STD
739-002	ADDITIONAL CAB SIDEWALL INSULATION	60	10	\$162.00
285-019	AUTOMATIC SELF-RESET CIRCUIT BREAKER IN MAIN DASH POWER DISTRIBUTION BOX AND CIRCUIT BREAKER/FUSE IN AUXILIARY POWER DISTRIBUTION BOXES			STD



Prepared for:
 MARCIA LEE
 WVDOT EQUIPMENT DIVISION
 83 BRUSHY FORK RD
 CROSSIN
 BUCKHANNON, WV 26201
 Phone: 304-473-4206

Prepared by:
 Bobby Slade
 HERITAGE EQUIPMENT, INC.
 322 DRY HILL RD.
 BECKLEY, WV 25801
 Phone: (304) 254-7827

Data Code	Description	Weight Front	Weight Rear	Retail Price
324-075	DOOR ACTIVATED DOME LIGHT, UNDER DASH LIGHT AND LH AND RH DOOR MOUNTED COURTESY LIGHTS			STD
655-001	CAB DOOR LATCHES WITH MANUAL DOOR LOCKS			STD
722-028	TRIANGULAR REFLECTORS KIT WITHOUT FLARES SHIPPED LOOSE IN CAB	10		\$28.00
756-1D9	PREMIUM HIGH BACK AIR SUSPENSION DRIVER SEAT WITH 3 CHAMBER AIR LUMBAR, INTEGRATED CUSHION EXTENSION, FORWARD AND REAR CUSHION TILT, ADJUSTABLE SHOCK ABSORBER	40		\$187.00
760-1D9	PREMIUM HIGH BACK AIR SUSPENSION PASSENGER SEAT WITH 3 CHAMBER AIR LUMBAR, INTEGRATED CUSHION EXTENSION, FORWARD AND REAR CUSHION TILT, ADJUSTABLE SHOCK ABSORBER	60	20	(\$95.00)
759-002	INBOARD DRIVER AND PASSENGER SEAT ARMRESTS	4		\$71.00
758-022	BLACK MORDURA CLOTH DRIVER SEAT COVER			STD
761-023	BLACK MORDURA CLOTH PASSENGER SEAT COVER			STD
763-003	3 POINT DRIVER AND PASSENGER SEAT BELT RETRACTORS			STD
725-998	NO SUPPLEMENTAL RESTRAINT SYSTEM			STD
532-002	ADJUSTABLE TILT AND TELESCOPING STEERING COLUMN			STD
540-005	2-SPOKE 20 INCH (500MM) BLACK STEERING WHEEL			STD
765-002	DRIVER AND PASSENGER INTERIOR SUN VISORS			STD

Instruments & Controls

185-002	NON-ADJUSTABLE SUSPENDED PEDALS			STD
870-004	STAR GAUGES WITH BLACK BEZELS			STD
732-001	BLACK DRIVER INSTRUMENT PANEL			STD
734-001	BLACK CENTER INSTRUMENT PANEL			STD
486-001	LOW AIR PRESSURE INDICATOR LIGHT AND AUDIBLE ALARM			STD
840-002	2 INCH PRIMARY AND SECONDARY AIR PRESSURE GAUGES			STD
198-002	INTAKE MOUNTED AIR RESTRICTION INDICATOR WITH GRADUATIONS			STD
149-012	CRUISE CONTROL SWITCHES IN THE CENTER PANEL			STD



Prepared for:
 MARCIA LEE
 WVDOT EQUIPMENT DIVISION
 83 BRUSHY FORK RD
 CROSSIN
 BUCKHANNON, WV 26201
 Phone: 304-473-4206

Prepared by:
 Bobby Slade
 HERITAGE EQUIPMENT, INC.
 322 DRY HILL RD.
 BECKLEY, WV 25801
 Phone: (304) 254-7827

Data Code	Description	Weight Front	Weight Rear	Retail Price
156-007	KEY OPERATED IGNITION SWITCH AND INTEGRAL START POSITION; 4 POSITION OFF/RUN/START/ACCESSORY			STD
811-001	WARNING LAMP/LIGHT BAR DISPLAY, NON-DATA LINKED			STD
160-038	HEAVY DUTY ONBOARD DIAGNOSTICS INTERFACE CONNECTOR LOCATED BELOW LH DASH			STD
844-001	2 INCH ELECTRIC FUEL GAUGE			STD
845-011	FUEL FILTER RESTRICTION INDICATOR			STD
148-085	EMISSIONS LIMITED IDLE ADJUST			STD
856-001	ELECTRICAL ENGINE COOLANT TEMPERATURE GAUGE			STD
864-001	2 INCH TRANSMISSION OIL TEMPERATURE GAUGE			STD
372-035	(1) DASH MOUNTED PTO SWITCH WITH INDICATOR LAMP	5		\$112.00
852-002	ELECTRIC ENGINE OIL PRESSURE GAUGE			STD
746-115	AM/FM/WB WORLD TUNER RADIO WITH BLUETOOTH AND USB AND AUXILIARY INPUTS, J1939	10		\$405.00
747-002	ROOF/OVERHEAD CONSOLE MOUNTED RADIO			N/C
750-004	(4) RADIO SPEAKERS IN CAB			N/C
753-019	AM/FM ANTENNA MOUNTED ON RH FRONT A-PILLAR	2		\$32.00
748-026	POWER AND GROUND WIRING FOR CB RADIO IN OVERHEAD CONSOLE			STD
752-017	MULTI-BAND AM/FM/WB/CB LH MIRROR MOUNTED ANTENNA SYSTEM			STD
810-042	ELECTRONIC MPH SPEEDOMETER WITH SECONDARY KPH SCALE, WITH ODOMETER			STD
817-001	STANDARD VEHICLE SPEED SENSOR			STD
812-003	ELECTRONIC 3000 RPM TACHOMETER WITH HOUR METER			\$35.00
813-998	NO VEHICLE PERFORMANCE MONITOR			(\$998.00)
8D1-998	NO DETROIT CONNECT SERVICES SELECTED			N/C
8Z1-998	NO ZONAR SERVICES SELECTED			STD
162-002	IGNITION SWITCH CONTROLLED ENGINE STOP			STD
329-1AW	SIX IGNITION CONTROLLED EXTRA SWITCHES WITH INDICATOR LIGHT, 10 AMPS, WIRED BETWEEN DRIVER AND PASSENGER SEATS			\$291.00
482-001	BW TRACTOR PROTECTION VALVE			N/C
883-001	TRAILER HAND CONTROL BRAKE VALVE			N/C



Prepared for:
 MARCIA LEE
 WVDOT EQUIPMENT DIVISION
 83 BRUSHY FORK RD
 CROSSIN
 BUCKHANNON, WV 26201
 Phone: 304-473-4206

Prepared by:
 Bobby Slade
 HERITAGE EQUIPMENT, INC.
 322 DRY HILL RD.
 BECKLEY, WV 25801
 Phone: (304) 254-7827

Data Code	Description	Weight Front	Weight Rear	Retail Price
836-001	2 INCH VOLTMETER			STD
660-001	SINGLE ELECTRIC WINDSHIELD WIPER MOTOR WITH DELAY AND ARCTIC TYPE BLADES			\$16.00
304-026	CAB MARKER LIGHT AND HEADLIGHT SWITCH WITH SEPARATE SWITCH AND TERMINALS FOR CUSTOMER FURNISHED SNOW PLOW LIGHTS AND TURN SIGNALS			\$25.00
882-004	TWO VALVE PARKING BRAKE SYSTEM WITH WARNING INDICATOR			N/C
299-032	VSM NON CANCELING TURN SIGNAL SWITCH WITH INTEGRAL HEADLAMP DIMMER WITHOUT BRAKE OVERRIDE			STD
298-036	PACIFIC INSIGHT ELECTRONIC FLASHER			STD
Design				
065-000	PAINT: ONE SOLID COLOR			STD
Color				
980-5F6	CAB COLOR A: L0006EB WHITE ELITE BC			STD
96J-001	CAB INTERIOR PAINTED SAME AS CAB COLOR			STD
986-020	BLACK, HIGH SOLIDS POLYURETHANE CHASSIS PAINT			STD
964-993	BUMPER PAINTED SAME AS CHASSIS			STD
Certification / Compliance				
996-001	U.S. FMVSS CERTIFICATION, EXCEPT SALES CABS AND GLIDER KITS			STD
Secondary Factory Options				
82D-998	NO PDI INSTALLED GRILLE/HOOD TRIM			STD
Sales Programs				
RZ1-998	NO ZONAR SERVICE SELECTED			STD

T O T A L V E H I C L E S U M M A R Y

Adjusted List Price

Adjusted List Price ** \$214,744.00

Weight Summary



Prepared for:
 MARCIA LEE
 WVDOT EQUIPMENT DIVISION
 83 BRUSHY FORK RD
 CROSSIN
 BUCKHANNON, WV 26201
 Phone: 304-473-4206

Prepared by:
 Bobby Slade
 HERITAGE EQUIPMENT, INC.
 322 DRY HILL RD.
 BECKLEY, WV 25801
 Phone: (304) 254-7827

	Weight Front	Weight Rear	Total Weight
Factory Weight ⁺	10518 lbs	8181 lbs	18699 lbs
Dealer Installed Options	0 lbs	0 lbs	0 lbs
Total Weight⁺	10518 lbs	8181 lbs	18699 lbs

ITEMS NOT INCLUDED IN ADJUSTED LIST PRICE

Other Factory Charges

PMU-017	2016 OBD/2010 EPA/CARB/GHG17 ESCALATOR	\$350.00
RD1-998	NO DETROIT CONNECT SERVICE SELECTED	N/C
P73-2WS	STANDARD DESTINATION CHARGE	\$2,050.00

Extended Warranty

*	WAI-4J9	EW4 DD13 VOC \$0 DEDUCTIBLE 5 YEAR/200000 MILES FULL COVERAGE	\$3,825.00
*	WAD-000	COOLING: HD STANDARD 2 YEARS/200,000 MILES/322,000 KM EXTENDED COVERAGE FEX APPLIES	\$225.00
		Currency Exchange Rate	1.0000
		Total Extended Warranty (Local Currency)	\$4,050.00

Dealer Installed Options

		Weight Front	Weight Rear	Price
0002	ACE SUPPLIED DUMP BODY, HYD. SYSTEM, FRONT PLOW, AND 9.5' V-BOX	0	0	\$88,504.00
0001	IDLE FREE SYSTEM INSTALLED	0	0	\$5,675.00
0003	PRICE INCREASE FOR 2019 YEAR MODEL	0	0	\$750.00
	Total Dealer Installed Options	0 lbs	0 lbs	\$94,929.00

(+) Weights shown are estimates only.



Prepared for:
MARCIA LEE
WVDOT EQUIPMENT DIVISION
83 BRUSHY FORK RD
CROSSIN
BUCKHANNON, WV 26201
Phone: 304-473-4206

Prepared by:
Bobby Slade
HERITAGE EQUIPMENT, INC.
322 DRY HILL RD.
BECKLEY, WV 25801
Phone: (304) 254-7827

If weight is critical, contact Customer Application Engineering.

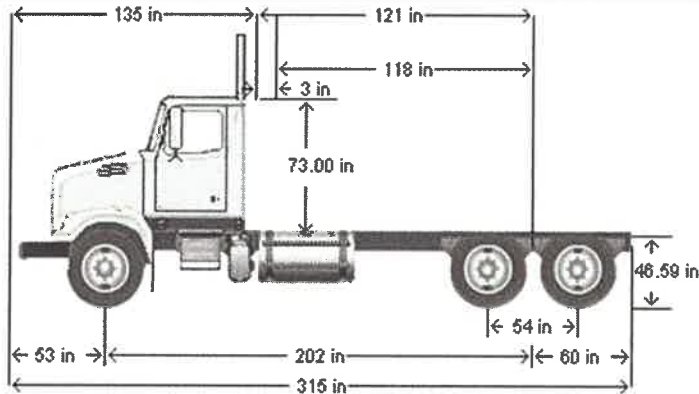
(**) Prices shown do not include taxes, fees, etc... "Net Equipment Selling Price" is located on the Quotation Details Proposal Report.



Prepared for:
 MARCIA LEE
 WVDOT EQUIPMENT DIVISION
 83 BRUSHY FORK RD
 CROSSIN
 BUCKHANNON, WV 26201
 Phone: 304-473-4206

Prepared by:
 Bobby Slade
 HERITAGE EQUIPMENT, INC.
 322 DRY HILL RD.
 BECKLEY, WV 25801
 Phone: (304) 254-7827

D I M E N S I O N S



VEHICLE SPECIFICATIONS SUMMARY - DIMENSIONS

Model.....	4700SF
Wheelbase (545)	5125MM (202 INCH) WHEELBASE
Rear Frame Overhang (552).....	1525MM (60 INCH) REAR FRAME OVERHANG
Fifth Wheel (578)	NO FIFTH WHEEL
Mounting Location (577).....	NO FIFTH WHEEL LOCATION
Maximum Forward Position (in).....	0
Maximum Rearward Position (in)	0
Amount of Slide Travel (in).....	0
Slide Increment (in).....	0
Desired Slide Position (in).....	0.0
Cab Size (829).....	110 INCH BBC STEEL CONVENTIONAL CAB
Sleeper (682).....	NO SLEEPER BOX/SLEEPER CAB
Exhaust System (016).....	RH OUTBOARD UNDER STEP MOUNTED HORIZONTAL AFTERTREATMENT SYSTEM ASSEMBLY WITH RH B-PILLAR MOUNTED VERTICAL TAILPIPE

TABLE SUMMARY - DIMENSIONS



Prepared for:
 MARCIA LEE
 WVDOT EQUIPMENT DIVISION
 83 BRUSHY FORK RD
 CROSSIN
 BUCKHANNON, WV 26201
 Phone: 304-473-4206

Prepared by:
 Bobby Slade
 HERITAGE EQUIPMENT, INC.
 322 DRY HILL RD.
 BECKLEY, WV 25801
 Phone: (304) 254-7827

Dimensions	Inches
Bumper to Back of Cab (BBC)	134.5
Bumper to Centerline of Front Axle (BA)	53.3
Min. Cab to Body Clearance (CB)	3.0
Back of Cab to Centerline of Rear Axle(s) (CA)	120.8
Effective Back of Cab to Centerline of Rear Axle(s) (Effective CA)	117.8
Back of Cab Protrusions (Exhaust/Intake) (CP)	2.0
Back of Cab Protrusions (Side Extenders/Trim Tab) (CP)	0.0
Back of Cab Protrusions (CNG Tank)	0.0
Back of Cab Clearance (CL)	3.0
Back of Cab to End of Frame	180.8
Cab Height (CH)	73.0
Wheelbase (WB)	202.0
Frame Overhang (OH)	60.0
Overall Length (OAL)	315.3
Rear Axle Spacing	54.0
Unladen Frame Height at Centerline of Rear Axle	46.6

Performance calculations are estimates only. If performance calculations are critical, please contact Customer Application Engineering.



Prepared for:
 MARCIA LEE
 WVDOT EQUIPMENT DIVISION
 83 BRUSHY FORK RD
 CROSSIN
 BUCKHANNON, WV 26201
 Phone: 304-473-4206

Prepared by:
 Bobby Slade
 HERITAGE EQUIPMENT, INC.
 322 DRY HILL RD.
 BECKLEY, WV 25801
 Phone: (304) 254-7827

G V W R

VEHICLE SPECIFICATIONS SUMMARY - GVWR

Model.....	4700SF
Cab Size (829).....	110 INCH BBC STEEL CONVENTIONAL CAB
Expected Front Axle(s) Load (lbs).....	20000.0
Expected Pusher Axle(s) Load (lbs).....	0.0
Expected Rear Axle(s) Load (lbs).....	44000.0
Expected Tag Axle(s) Load (lbs).....	0.0
Expected GVW (lbs).....	64000
Expected GCW (lbs).....	80000.0
Front Axle (400).....	DETROIT DA-F-20.0-5 20,000# FL1 71.0 KPI/3.74 DROP SINGLE FRONT AXLE
Front Suspension (620).....	20,000# FLAT LEAF FRONT SUSPENSION
Front Hubs (418).....	CONMET PRESET PLUS PREMIUM IRON FRONT HUBS
Front Disc Wheels (502) ..	ACCURIDE 41012 22.5X9.00 10-HUB PILOT 3.12 INSET 10-HAND ALUMINUM DISC FRONT WHEELS
Front Tires (093).....	CONTINENTAL CITY SERVICE HA3 315/80R22.5 20 PLY RADIAL FRONT TIRES
Front Brakes (402).....	MERITOR 16.5X6 Q+ CAST SPIDER CAM FRONT BRAKES, DOUBLE ANCHOR, FABRICATED SHOES
Steering Gear (536).....	TRW THP-60 POWER STEERING WITH RCH45 AUXILIARY GEAR
Rear Axle (420).....	D46-170P 46,000# R-SERIES TANDEM REAR AXLE
Rear Suspension (622).....	HENDRICKSON RT463 @46,000# REAR SUSPENSION
Rear Hubs (450).....	CONMET PRESET PLUS PREMIUM IRON REAR HUBS
Rear Disc Wheels (505).....	ACCURIDE 41644 ACCU-LITE 22.5X8.25 10-HUB PILOT ALUMINUM DISC REAR WHEELS
Rear Tires (094).....	CONTINENTAL HDC1 11R22.5 16 PLY RADIAL REAR TIRES
Rear Brakes (423).....	MERITOR 16.5X7 Q+ CAST SPIDER CAM REAR BRAKES, DOUBLE ANCHOR, FABRICATED SHOES
Pusher / Tag Axle (443).....	NO PUSHER OR TAG AXLE
Pusher / Tag Suspension (626).....	NO PUSHER OR TAG SUSPENSION
Pusher / Tag Hubs (449).....	NO PUSHER OR TAG HUBS
Pusher/Tag Disc Wheels (509).....	NO PUSHER/TAG DISC WHEELS
Pusher / Tag Tires (095).....	NO PUSHER/TAG TIRES
Pusher / Tag Brakes (456).....	NO PUSHER/TAG BRAKES

TABLE SUMMARY - GVWR



Prepared for:
 MARCIA LEE
 WVDOT EQUIPMENT DIVISION
 83 BRUSHY FORK RD
 CROSSIN
 BUCKHANNON, WV 26201
 Phone: 304-473-4206

Prepared by:
 Bobby Slade
 HERITAGE EQUIPMENT, INC.
 322 DRY HILL RD.
 BECKLEY, WV 25801
 Phone: (304) 254-7827

	Front	Rear 1	Rear 2
Axle Component Weight Ratings			
Axles	20000	23000	23000
Suspension	20000	23000	23000
Hubs	23000	26000	26000
Brakes	20000	22000	22000
Wheels	20400	29600	29600
Tires	20000	24020	24020
Power Steering	22000	N/A	N/A
GAWR (per axle)	20000	22000	22000
GAWR (per axle system)	20000		44000
Expected Load (per axle system)	20000		44000
Vehicle GVWR Summary			
Calculated GVWR	64000		
Expected GVWR	64000		
All weights displayed in pounds			

Performance calculations are estimates only. If performance calculations are critical, please contact Customer Application Engineering.



Prepared for:
 MARCIA LEE
 WVDOT EQUIPMENT DIVISION
 83 BRUSHY FORK RD
 CROSSIN
 BUCKHANNON, WV 26201
 Phone: 304-473-4206

Prepared by:
 Bobby Slade
 HERITAGE EQUIPMENT, INC.
 322 DRY HILL RD.
 BECKLEY, WV 25801
 Phone: (304) 254-7827

FRAME RBM

VEHICLE SPECIFICATIONS SUMMARY - FRAME RBM

Wheelbase (545) 5125MM (202 INCH) WHEELBASE
 Frame Rails (546) 1/2X3.64X11-7/8 INCH STEEL FRAME (12.7MMX301.6MM/0.5X11.88 INCH) 120KSI(546)
 Yield Strength (psi)..... 120000
 Section Modulus (per rail) (cu in).....26.26
 RBM (per rail) (lbf-in).....3204000
 Inner Frame Reinforcement (547)PARTIAL INNER FRAME REINFORCEMENT AT FRONT SUSPENSION
 Outer Frame Reinforcement (548) . BODY COMPANY INSTALLED ADDITIONAL FRONT FRAME REINFORCEMENT FOR SNOW PLOW

TABLE SUMMARY - FRAME RBM

Item	Description / Value
Wheelbase	5125MM (202 INCH) WHEELBASE
Frame	1/2X3.64X11-7/8 INCH STEEL FRAME (12.7MMX301.6MM/0.5X11.88 INCH) 120KSI
Inner Frame Reinforcement	PARTIAL INNER FRAME REINFORCEMENT AT FRONT SUSPENSION
Outer Frame Reinforcement	BODY COMPANY INSTALLED ADDITIONAL FRONT FRAME REINFORCEMENT FOR SNOW PLOW
Yield Strength (psi)	120000
Section Modulus - per rail (cu. in.)	26.70
Frame RBM - per rail (lbf-in)	3204000

Performance calculations are estimates only. If performance calculations are critical, please contact Customer Application Engineering.



Prepared for:
 MARCIA LEE
 WVDOT EQUIPMENT DIVISION
 83 BRUSHY FORK RD
 CROSSIN
 BUCKHANNON, WV 26201
 Phone: 304-473-4206

Prepared by:
 Bobby Slade
 HERITAGE EQUIPMENT, INC.
 322 DRY HILL RD.
 BECKLEY, WV 25801
 Phone: (304) 254-7827

Q U O T A T I O N

4700 SET-FORWARD FRONT AXLE CHASSIS

SET FORWARD AXLE - TRUCK DETROIT DD13 12.8L 505 HP @ 1625 RPM, 1900 GOV RPM, 1850 LB/FT @ 975 RPM ALLISON 4500 RDS AUTOMATIC TRANSMISSION WITH PTO PROVISION D46-590P 46,000# DOUBLE REDUCTION TANDEM REAR AXLE HENDRICKSON RT463 @46,000# REAR SUSPENSION DETROIT DA-F-20.0-5 20,000# FL1 71.0 KPI/3.74 DROP SINGLE FRONT AXLE	20,000# FLAT LEAF FRONT SUSPENSION 110 INCH BBC STEEL CONVENTIONAL CAB 5125MM (202 INCH) WHEELBASE 1/2X3.64X11-7/8 INCH STEEL FRAME (12.7MMX301.6MM/0.5X11.88 INCH) 120KSI 1525MM (60 INCH) REAR FRAME OVERHANG PARTIAL INNER FRAME REINFORCEMENT AT FRONT SUSPENSION BODY COMPANY INSTALLED ADDITIONAL FRONT FRAME REINFORCEMENT FOR SNOW PLOW
------------------------------------------------------------------------------------------------------------------------------------------------------------------------------------------------------------------------------------------------------------------------------------------------------------------------------------------------------------	----------------------------------------------------------------------------------------------------------------------------------------------------------------------------------------------------------------------------------------------------------------------------------------------------------------------------------------------------------------------------

			PER UNIT		TOTAL
VEHICLE PRICE	TOTAL # OF UNITS (1)	\$	113,594	\$	113,594
EXTENDED WARRANTY		\$	4,050	\$	4,050
DEALER INSTALLED OPTIONS		\$	94,929	\$	94,929
CUSTOMER PRICE BEFORE TAX		\$	212,573	\$	212,573

TAXES AND FEES

FEDERAL EXCISE TAX (FET)	\$	(358)	\$	(358)
TAXES AND FEES	\$	0	\$	0
OTHER CHARGES	\$	0	\$	0

TRADE-IN

TRADE-IN ALLOWANCE	\$	(0)	\$	(0)
--------------------	----	-----	----	-----

BALANCE DUE	(LOCAL CURRENCY)	\$	212,215	\$	212,215
-------------	------------------	----	---------	----	---------

COMMENTS: Projected delivery on ___ / ___ / ___ provided the order is received before ___ / ___ / ___.

APPROVAL: Please indicate your acceptance of this quotation by signing below: Customer:

X _____ Date: ___ / ___ / ___.

Daimler Truck Financial

Financing that works for you.

See your local dealer for a competitive quote from Daimler Truck Financial, or contact us at Information@dtfoffers.com.

Daimler Truck Financial offers a variety of finance, lease and insurance solutions to fit your business needs. For more information about our products and services, visit our website at www.daimler-truckfinancial.com.



Prepared for:
MARCIA LEE
WVDOT EQUIPMENT DIVISION
83 BRUSHY FORK RD
CROSSIN
BUCKHANNON, WV 26201
Phone: 304-473-4206

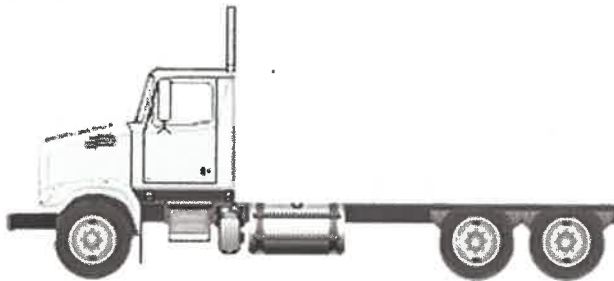
Prepared by:
Bobby Slade
HERITAGE EQUIPMENT, INC.
322 DRY HILL RD.
BECKLEY, WV 25801
Phone: (304) 254-7827

A proposal for
WVDOT EQUIPMENT DIVISION

Prepared by
HERITAGE EQUIPMENT, INC.
MIKE COBURN

Aug 15, 2017

2018 & 2019 ALTERNATE BID
W/1650 TORQUE & 46K MERITOR REAR AXLE
Western Star 4700SF



Components shown may not reflect all spec'd options and are not to scale

Prepared for:
 MARCIA LEE
 WVDOT EQUIPMENT DIVISION
 83 BRUSHY FORK RD
 CROSSIN
 BUCKHANNON, WV 26201
 Phone: 304-473-4206

Prepared by:
 Bobby Slade
 HERITAGE EQUIPMENT, INC.
 322 DRY HILL RD.
 BECKLEY, WV 25801
 Phone: (304) 254-7827

S P E C I F I C A T I O N P R O P O S A L

Data Code	Description	Weight Front	Weight Rear	Retail Price
Price Level				
PRL-16T	WESTERN STAR 4700 PRL-16T (EFF:04/25/17)			STD
Data Version				
DRL-015	SPECPRO21 DATA RELEASE VER 015			N/C
Vehicle Configuration				
001-450	4700 SET-FORWARD FRONT AXLE CHASSIS	9,100	6,720	\$162,345.00
004-218	2018 MODEL YEAR SPECIFIED			STD
002-003	SET FORWARD AXLE - TRUCK			STD
019-001	TRAILER TOWING PROVISION AT END OF FRAME FOR TRUCK	10	10	\$633.00
003-001	LH PRIMARY STEERING LOCATION			STD
General Service				
AA1-003	TRUCK/TRAILER CONFIGURATION			N/C
AA6-002	DOMICILED, USA (EXCLUDING CALIFORNIA AND CARB OPT-IN STATES)			N/C
A85-011	CONSTRUCTION SERVICE			STD
A84-1RO	ROAD AND HIGHWAY MAINTENANCE BUSINESS SEGMENT			N/C
AA4-003	DRY BULK COMMODITY			STD
AA5-002	TERRAIN/DUTY: 100% (ALL) OF THE TIME, IN TRANSIT, IS SPENT ON PAVED ROADS			STD
AB1-008	MAXIMUM 8% EXPECTED GRADE			STD
AB5-001	SMOOTH CONCRETE OR ASPHALT PAVEMENT - MOST SEVERE IN-TRANSIT (BETWEEN SITES) ROAD SURFACE			STD
995-1A5	WESTERN STAR VOCATIONAL WARRANTY			STD
A66-99D	EXPECTED FRONT AXLE(S) LOAD : 20000.0 lbs			
A68-99D	EXPECTED REAR DRIVE AXLE(S) LOAD : 44000.0 lbs			
A63-99D	EXPECTED GROSS VEHICLE WEIGHT CAPACITY : 64000.0 lbs			



Prepared for:
 MARCIA LEE
 WVDOT EQUIPMENT DIVISION
 83 BRUSHY FORK RD
 CROSSIN
 BUCKHANNON, WV 26201
 Phone: 304-473-4206

Prepared by:
 Bobby Slade
 HERITAGE EQUIPMENT, INC.
 322 DRY HILL RD.
 BECKLEY, WV 25801
 Phone: (304) 254-7827

Data Code	Description	Weight Front	Weight Rear	Retail Price
A70-99D	EXPECTED GROSS COMBINATION WEIGHT : 80000.0 lbs			
Truck Service				
AA3-018	FRONT PLOW/END DUMP BODY			N/C
Engine				
101-2YB	DETROIT DD13 12.8L 470 HP @ 1625 RPM, 1900 GOV RPM, 1650 LB/FT @ 975 RPM			\$986.00
Electronic Parameters				
79A-065	65 MPH ROAD SPEED LIMIT			N/C
79B-000	CRUISE CONTROL SPEED LIMIT SAME AS ROAD SPEED LIMIT			N/C
79G-006	5 MINUTES IDLE SHUTDOWN WITH CLUTCH AND SERVICE BRAKE OVERRIDE			N/C
79K-001	PTO MODE ENGINE RPM LIMIT - 600 RPM			N/C
79M-002	PTO MODE BRAKE OVERRIDE - SERVICE BRAKE APPLIED OR PARK BRAKE NOT APPLIED			N/C
79P-001	PTO RPM WITH CRUISE SET SWITCH - 600 RPM			N/C
79Q-001	PTO RPM WITH CRUISE RESUME SWITCH - 600 RPM			N/C
79T-001	PTO MODE RPM INCREMENT - 25 RPM			N/C
79W-001	ONE REMOTE PTO SPEED			N/C
79X-005	REMOTE PTO SPEED 1 SETTING - 900 RPM			N/C
80D-001	SOFT CRUISE CONTROL ENABLED			N/C
80G-001	PTO MINIMUM RPM - 600			N/C
Engine Equipment				
99C-017	2016 ONBOARD DIAGNOSTICS/2010 EPA/CARB/FINAL GHG17 CONFIGURATION			STD
99D-011	2008 CARB EMISSION CERTIFICATION - CLEAN IDLE (INCLUDES 6X4 INCH LABEL ON LOWER FORWARD CORNER OF DRIVER DOOR)			\$106.00
PMT-998	NO 2013 ENGINE ESCALATOR			N/C
13E-001	STANDARD OIL PAN			STD
105-001	ENGINE MOUNTED OIL CHECK AND FILL			STD
133-004	ONE PIECE VALVE COVER			STD
014-108	SIDE OF HOOD AIR INTAKE WITH FIREWALL MOUNTED DONALDSON AIR CLEANER WITH SAFETY ELEMENT AND INSIDE/OUTSIDE AIR WITH SNOW DOOR	10		\$367.00
124-1D7	DR 12V 160 AMP 28-SI QUADRAMOUNT PAD ALTERNATOR WITH REMOTE BATTERY VOLT SENSE			STD



Prepared for:
 MARCIA LEE
 WVDOT EQUIPMENT DIVISION
 83 BRUSHY FORK RD
 CROSSIN
 BUCKHANNON, WV 26201
 Phone: 304-473-4206

Prepared by:
 Bobby Slade
 HERITAGE EQUIPMENT, INC.
 322 DRY HILL RD.
 BECKLEY, WV 25801
 Phone: (304) 254-7827

Data Code	Description	Weight Front	Weight Rear	Retail Price
292-161	(3) ALLIANCE ABSORBED GLASS MAT MODEL FAHRENHEIT, GROUP 31, 12 VOLT MAINTENANCE FREE 2775 CCA THREADED STUD BATTERIES			\$325.00
290-017	BATTERY BOX FRAME MOUNTED	35		\$65.00
282-001	SINGLE BATTERY BOX FRAME MOUNTED LH SIDE UNDER CAB			N/C
291-017	WIRE GROUND RETURN FOR BATTERY CABLES WITH ADDITIONAL FRAME GROUND RETURN			STD
289-001	NON-POLISHED BATTERY BOX COVER			N/C
107-044	BW MODEL BA-921 19.0 CFM SINGLE CYLINDER AIR COMPRESSOR WITH SAFETY VALVE			STD
131-013	AIR COMPRESSOR DISCHARGE LINE			STD
152-041	ELECTRONIC ENGINE INTEGRAL SHUTDOWN PROTECTION SYSTEM			STD
128-002	JACOBS COMPRESSION BRAKE			STD
016-1C2	RH OUTBOARD UNDER STEP MOUNTED HORIZONTAL AFTERTREATMENT SYSTEM ASSEMBLY WITH RH B-PILLAR MOUNTED VERTICAL TAILPIPE			STD
28F-002	ENGINE AFTERTREATMENT DEVICE, AUTOMATIC OVER THE ROAD REGENERATION AND DASH MOUNTED REGENERATION REQUEST SWITCH			STD
239-038	11 FOOT 06 INCH (138 INCH+0/-5.9 INCH) EXHAUST SYSTEM HEIGHT			STD
237-1CR	RH CURVED VERTICAL TAILPIPE B-PILLAR MOUNTED ROUTED FROM STEP			STD
23U-002	13 GALLON DIESEL EXHAUST FLUID TANK	35	10	\$37.00
30N-003	100 PERCENT DIESEL EXHAUST FLUID FILL			\$20.00
23Y-001	STANDARD DIESEL EXHAUST FLUID PUMP MOUNTING			STD
43X-002	LH MEDIUM DUTY STANDARD DIESEL EXHAUST FLUID TANK LOCATION			STD
242-001	STAINLESS STEEL AFTERTREATMENT DEVICE/MUFFLER/TAILOPIPE SHIELD			STD
273-036	BORG WARNER (KYSOR) REAR AIR ON/OFF ENGINE FAN CLUTCH			STD
276-001	AUTOMATIC FAN CONTROL WITHOUT DASH SWITCH, NON ENGINE MOUNTED			STD
110-068	DDC SUPPLIED ENGINE MOUNTED FUEL FILTER/FUEL WATER SEPARATOR WITH WATER-IN-FUEL INDICATOR			STD
118-001	FULL FLOW OIL FILTER			STD



Prepared for:
 MARCIA LEE
 WVDOT EQUIPMENT DIVISION
 83 BRUSHY FORK RD
 CROSSIN
 BUCKHANNON, WV 26201
 Phone: 304-473-4206

Prepared by:
 Bobby Slade
 HERITAGE EQUIPMENT, INC.
 322 DRY HILL RD.
 BECKLEY, WV 25801
 Phone: (304) 254-7827

Data Code	Description	Weight Front	Weight Rear	Retail Price
266-057	1500 SQUARE INCH ALUMINUM RADIATOR			STD
267-006	MOUNTING FOR FIREWALL MOUNTED SURGE TANK			STD
103-039	ANTIFREEZE TO -34F, OAT (NITRITE AND SILICATE FREE) EXTENDED LIFE COOLANT			(\$10.00)
171-007	GATES BLUE STRIPE COOLANT HOSES OR EQUIVALENT			STD
172-001	CONSTANT TENSION HOSE CLAMPS FOR COOLANT HOSES			STD
270-023	HDEP FIXED RATIO COOLANT PUMP AND RADIATOR DRAIN VALVE			STD
168-998	NO RADIATOR/OIL PAN GUARD	-5		(\$94.00)
138-005	PHILLIPS-TEMRO 1500 WATT/115 VOLT BLOCK HEATER			STD
166-005	PHILLIPS-TEMRO 300 WATT/115 VOLT OIL PREHEATER			STD
140-022	CHROME ENGINE HEATER RECEPTACLE MOUNTED UNDER LH DOOR			STD
134-001	ALUMINUM FLYWHEEL HOUSING			STD
155-074	DELCO 12V MOD 3.175-39MT+ OCP STARTER WITH THERMAL PROTECTION AND INTEGRATED MAGNETIC SWITCH			STD

Transmission

342-1M3	ALLISON 4500 RDS AUTOMATIC TRANSMISSION WITH PTO PROVISION	170	50	\$21,767.00
---------	------------------------------------------------------------	-----	----	-------------

Transmission Equipment

343-339	ALLISON VOCATIONAL PACKAGE 223 - AVAILABLE ON 3000/4000 PRODUCT FAMILIES WITH VOCATIONAL MODELS RDS, HS, MH AND TRV			N/C
84B-012	ALLISON VOCATIONAL RATING FOR ON/OFF HIGHWAY APPLICATIONS AVAILABLE WITH ALL PRODUCT FAMILIES			N/C
84C-023	PRIMARY MODE GEARS, LOWEST GEAR 1, START GEAR 1, HIGHEST GEAR 6, AVAILABLE FOR 3000/4000 PRODUCT FAMILIES ONLY			N/C
84D-023	SECONDARY MODE GEARS, LOWEST GEAR 1, START GEAR 1, HIGHEST GEAR 6, AVAILABLE FOR 3000/4000 PRODUCT FAMILIES ONLY			N/C
84E-000	PRIMARY SHIFT SCHEDULE RECOMMENDED BY DTNA AND ALLISON, THIS DEFINED BY ENGINE AND VOCATIONAL USAGE			N/C



Prepared for:
 MARCIA LEE
 WVDOT EQUIPMENT DIVISION
 83 BRUSHY FORK RD
 CROSSIN
 BUCKHANNON, WV 26201
 Phone: 304-473-4206

Prepared by:
 Bobby Slade
 HERITAGE EQUIPMENT, INC.
 322 DRY HILL RD.
 BECKLEY, WV 25801
 Phone: (304) 254-7827

Data Code	Description	Weight Front	Weight Rear	Retail Price
84F-000	SECONDARY SHIFT SCHEDULE RECOMMENDED BY DTNA AND ALLISON, THIS DEFINED BY ENGINE AND VOCATIONAL USAGE			N/C
84G-000	PRIMARY SHIFT SPEED RECOMMENDED BY DTNA AND ALLISON, THIS DEFINED BY ENGINE AND VOCATIONAL USAGE			N/C
84H-000	SECONDARY SHIFT SPEED RECOMMENDED BY DTNA AND ALLISON, THIS DEFINED BY ENGINE AND VOCATIONAL USAGE			N/C
84L-010	DISABLE - LOAD BASED SHIFT SCHEDULE, DISABLE - VEHICLE ACCELERATION CONTROL			N/C
34C-010	ELECTRONIC TRANSMISSION CUSTOMER ACCESS CONNECTOR, BLUNT CUT, MOUNTED BETWEEN DRIVER AND PASSENGER SEATS			\$175.00
362-035	CUSTOMER INSTALLED CHELSEA 277 SERIES PTO			N/C
363-001	PTO MOUNTING, LH SIDE OF MAIN TRANSMISSION			N/C
341-018	MAGNETIC PLUGS, ENGINE DRAIN, TRANSMISSION DRAIN, AXLE(S) FILL AND DRAIN			N/C
345-003	PUSH BUTTON ELECTRONIC SHIFT CONTROL, DASH MOUNTED			N/C
97G-004	TRANSMISSION PROGNOSTICS - ENABLED 2013			N/C
370-011	WATER TO OIL TRANSMISSION COOLER, FRAME MOUNTED	15		N/C
346-003	TRANSMISSION OIL CHECK AND FILL WITH ELECTRONIC OIL LEVEL CHECK			N/C
35T-001	SYNTHETIC TRANSMISSION FLUID (TES-295 COMPLIANT)			N/C

Front Axle and Equipment

400-1BB	DETROIT DA-F-20.0-5 20,000# FL1 71.0 KPI/3.74 DROP SINGLE FRONT AXLE			\$1,487.00
402-030	MERITOR 16.5X6 Q+ CAST SPIDER CAM FRONT BRAKES, DOUBLE ANCHOR, FABRICATED SHOES			STD
403-002	NON-ASBESTOS FRONT BRAKE LINING			STD
419-023	CONMET CAST IRON FRONT BRAKE DRUMS			STD
427-001	FRONT BRAKE DUST SHIELDS	5		\$102.00
409-006	FRONT OIL SEALS			N/C
408-001	VENTED FRONT HUB CAPS WITH WINDOW, CENTER AND SIDE PLUGS - OIL			STD
416-022	STANDARD SPINDLE NUTS FOR ALL AXLES			STD



Prepared for:
 MARCIA LEE
 WVDOT EQUIPMENT DIVISION
 83 BRUSHY FORK RD
 CROSSIN
 BUCKHANNON, WV 26201
 Phone: 304-473-4206

Prepared by:
 Bobby Slade
 HERITAGE EQUIPMENT, INC.
 322 DRY HILL RD.
 BECKLEY, WV 25801
 Phone: (304) 254-7827

Data Code	Description	Weight Front	Weight Rear	Retail Price
405-031	HALDEX AUTOMATIC FRONT SLACK ADJUSTERS WITH STAINLESS STEEL CLEVIS PINS			\$9.00
406-001	STANDARD KING PIN BUSHINGS			STD
536-055	TRW THP-60 POWER STEERING WITH RCH45 AUXILIARY GEAR	90		N/C
539-003	POWER STEERING PUMP			STD
534-003	4 QUART POWER STEERING RESERVOIR			N/C
533-001	OIL/AIR POWER STEERING COOLER			N/C
40T-003	SYNTHETIC 50W FRONT AXLE LUBE			STD
Front Suspension				
620-006	20,000# FLAT LEAF FRONT SUSPENSION	50		\$147.00
619-004	GRAPHITE BRONZE BUSHINGS WITH SEALS - FRONT SUSPENSION			STD
410-001	FRONT SHOCK ABSORBERS			\$202.00
Rear Axle and Equipment				
420-103	RT-46-160 46,000# R-SERIES TANDEM REAR AXLE		420	\$3,787.00
421-430	4.30 REAR AXLE RATIO			N/C
424-001	IRON REAR AXLE CARRIER WITH STANDARD AXLE HOUSING		-30	N/C
386-078	MXL 18N MERITOR EXTENDED LUBE MAIN DRIVELINE WITH FULL ROUND YOKES	40	40	\$500.00
388-076	MXL 17N MERITOR EXTENDED LUBE INTERAXLE DRIVELINE WITH FULL ROUND YOKES			N/C
878-019	(1) INTERAXLE LOCK VALVE FOR TANDEM OR TRIDEM DRIVE AXLES			STD
87A-005	INDICATOR LIGHT FOR EACH INTERAXLE LOCKOUT SWITCH			STD
423-020	MERITOR 16.5X7 Q+ CAST SPIDER CAM REAR BRAKES, DOUBLE ANCHOR, FABRICATED SHOES			STD
433-002	NON-ASBESTOS REAR BRAKE LINING			STD
434-019	ASPHALT SPREADER CLEARANCE REAR BRAKE GEOMETRY			N/C
451-023	CONMET CAST IRON REAR BRAKE DRUMS			STD
425-002	REAR BRAKE DUST SHIELDS		10	\$116.00
440-006	REAR OIL SEALS			N/C
426-1B3	BENDIX EVERSURE LONGSTROKE 2-DRIVE AXLES SPRING PARKING CHAMBERS			\$35.00



Prepared for:
 MARCIA LEE
 WVDOT EQUIPMENT DIVISION
 83 BRUSHY FORK RD
 CROSSIN
 BUCKHANNON, WV 26201
 Phone: 304-473-4206

Prepared by:
 Bobby Slade
 HERITAGE EQUIPMENT, INC.
 322 DRY HILL RD.
 BECKLEY, WV 25801
 Phone: (304) 254-7827

Data Code	Description	Weight Front	Weight Rear	Retail Price
428-031	HALDEX AUTOMATIC REAR SLACK ADJUSTERS WITH STAINLESS STEEL CLEVIS PINS			\$4.00
41T-002	SYNTHETIC 75W-90 REAR AXLE LUBE			STD
Rear Suspension				
622-1CJ	HENDRICKSON RT463 @46,000# REAR SUSPENSION		730	\$2,722.00
621-016	HENDRICKSON RT/RTE - 7.19" SADDLE			N/C
431-001	STANDARD AXLE SEATS IN AXLE CLAMP GROUP			N/C
624-009	54 INCH AXLE SPACING		10	\$248.00
628-005	STEEL BEAMS AND BRONZE CENTER BUSHINGS WITH BAR PIN ADJUSTABLE END CONNECTIONS			N/C
623-005	FORE/AFT CONTROL RODS			N/C
Brake System				
490-100	WABCO 4S/4M ABS WITHOUT TRACTION CONTROL			STD
871-001	REINFORCED NYLON, FABRIC BRAID AND WIRE BRAID CHASSIS AIR LINES			STD
904-001	FIBER BRAID PARKING BRAKE HOSE			STD
412-001	STANDARD BRAKE SYSTEM VALVES			STD
432-003	RELAY VALVE WITH 5-8 PSI CRACK PRESSURE, NO REAR PROPORTIONING VALVE			STD
480-083	WABCO SS-1200 PLUS AIR DRYER WITH INTEGRAL AIR GOVERNOR AND HEATER			STD
483-998	NO AIR SYSTEM OIL FILTER			STD
479-004	AIR DRYER MOUNTED OUTBOARD ON LH RAIL			STD
460-007	ALUMINUM AIR BRAKE RESERVOIRS	-15	-15	\$184.00
607-018	CLEAR FRAME RAIL FROM BACK OF CAB TO FRONT REAR SUSPENSION BRACKET, RH RAIL INSIDE/OUTBOARD AND BELOW			\$63.00
477-001	PULL CABLE ON WET TANK, PETCOCK DRAIN VALVES ON ALL OTHER AIR TANKS			STD
Trailer Connections				
914-001	AIR CONNECTIONS TO END OF FRAME WITH GLAD HANDS FOR TRUCK AND NO DUST COVERS			N/C
296-010	PRIMARY CONNECTOR/RECEPTACLE WIRED FOR SEPARATE STOP/TURN, ABS CENTER PIN POWERED THROUGH IGNITION			N/C
297-001	SAE J560 7-WAY PRIMARY TRAILER CABLE RECEPTACLE MOUNTED END OF FRAME			N/C



Prepared for:
 MARCIA LEE
 WVDOT EQUIPMENT DIVISION
 83 BRUSHY FORK RD
 CROSSIN
 BUCKHANNON, WV 26201
 Phone: 304-473-4206

Prepared by:
 Bobby Slade
 HERITAGE EQUIPMENT, INC.
 322 DRY HILL RD.
 BECKLEY, WV 25801
 Phone: (304) 254-7827

Data Code	Description	Weight Front	Weight Rear	Retail Price
303-004	7-WAY RECEPTACLE BACK OF CAB (IN ADDITION TO STANDARD)	5	5	\$124.00
Wheelbase & Frame				
545-512	5125MM (202 INCH) WHEELBASE			N/C
546-1B2	1/2X3.64X11-7/8 INCH STEEL FRAME (12.7MMX301.6MM/0.5X11.88 INCH) 120KSI	380	220	\$1,787.00
547-034	PARTIAL INNER FRAME REINFORCEMENT AT FRONT SUSPENSION	195	-5	\$979.00
548-803	BODY COMPANY INSTALLED ADDITIONAL FRONT FRAME REINFORCEMENT FOR SNOW PLOW			N/C
552-028	1525MM (60 INCH) REAR FRAME OVERHANG			N/C
55W-005	FRAME OVERHANG RANGE: 51 INCH TO 60 INCH	10	-60	N/C
549-002	24 INCH INTEGRAL FRONT FRAME EXTENSION	110	-10	\$941.00
AC8-99D	CALC'D BACK OF CAB TO REAR SUSP C/L (CA) : 120.78 in			
AE8-99D	CALCULATED EFFECTIVE BACK OF CAB TO REAR SUSPENSION C/L (CA) : 117.78 in			
AE4-99D	CALC'D FRAME LENGTH - OVERALL : 313.69			
AM6-99D	CALC'D SPACE AVAILABLE FOR DECKPLATE : 120.78 in			
FSS-0LH	CALCULATED FRAME SPACE LH SIDE : 7.1 in			N/C
FSS-0RH	CALCULATED FRAME SPACE RH SIDE : 84.39 in			N/C
553-001	SQUARE END OF FRAME			STD
559-001	STANDARD WEIGHT ENGINE CROSSMEMBER			STD
561-001	STANDARD CROSSMEMBER BACK OF TRANSMISSION			STD
562-001	STANDARD MIDSHIP #1 CROSSMEMBER(S)			STD
572-001	STANDARD REAR MOST CROSSMEMBER			STD
565-002	HEAVY DUTY SUSPENSION CROSSMEMBER			STD
568-001	STANDARD WEIGHT REAR SUSPENSION CROSSMEMBER			STD
Chassis Equipment				
556-1E5	14 INCH PAINTED STEEL BUMPER			\$237.00
574-001	BUMPER MOUNTING FOR SINGLE LICENSE PLATE			STD
586-015	FRONT ANTI-SPRAY CAB MOUNTED MUDFLAPS			STD
551-007	GRADE 8 THREADED HEX HEADED FRAME FASTENERS			STD
44Z-001	EXTERIOR HARNESSSES WRAPPED IN CONDUIT			STD



Prepared for:
 MARCIA LEE
 WVDOT EQUIPMENT DIVISION
 83 BRUSHY FORK RD
 CROSSIN
 BUCKHANNON, WV 26201
 Phone: 304-473-4206

Prepared by:
 Bobby Slade
 HERITAGE EQUIPMENT, INC.
 322 DRY HILL RD.
 BECKLEY, WV 25801
 Phone: (304) 254-7827

Data Code	Description	Weight Front	Weight Rear	Retail Price
Fuel Tanks				
204-165	125 GALLON/473 LITER ALUMINUM FUEL TANK - LH	15	15	\$330.00
218-006	25 INCH DIAMETER FUEL TANK(S)			STD
215-007	PLAIN ALUMINUM/PAINTED STEEL FUEL/HYDRAULIC TANK(S) WITH POLISHED STAINLESS STEEL BANDS			\$114.00
212-008	FUEL TANK(S) AFT	-35	35	(\$120.00)
664-001	PLAIN STEP FINISH			STD
205-001	FUEL TANK CAP(S)			STD
216-020	EQUIFLO INBOARD FUEL SYSTEM			STD
202-016	HIGH TEMPERATURE REINFORCED NYLON FUEL LINE			STD
221-998	NO FUEL COOLER	-10		(\$121.00)
Tires				
093-1PB	CONTINENTAL CITY SERVICE HA3 315/80R22.5 20 PLY RADIAL FRONT TIRES	100		\$446.00
094-2DY	CONTINENTAL HDC1 11R22.5 16 PLY RADIAL REAR TIRES		136	(\$984.00)
Hubs				
418-060	CONMET PRESET PLUS PREMIUM IRON FRONT HUBS	20		\$114.00
450-060	CONMET PRESET PLUS PREMIUM IRON REAR HUBS			\$255.00
Wheels				
502-355	ACCURIDE 41012 22.5X9.00 10-HUB PILOT 3.12 INSET 10-HAND ALUMINUM DISC FRONT WHEELS	-38		\$120.00
505-1EF	ALCOA LVL ONE 88367X 22.5X8.25 10-HUB PILOT ALUMINUM DISC REAR WHEELS		-200	\$1,120.00
496-011	FRONT WHEEL MOUNTING NUTS			STD
497-011	REAR WHEEL MOUNTING NUTS			STD
498-011	NYLON WHEEL GUARDS FRONT AND REAR ALL INTERFACES			\$54.00
Cab Exterior				
829-1A8	110 INCH BBC STEEL CONVENTIONAL CAB			STD
82A-023	WESTERN STAR PAINTED ALUMINUM CAB SKIRT			STD
650-044	AIR CAB MOUNTS WITH CHECK VALVE			STD



Prepared for:
 MARCIA LEE
 WVDOT EQUIPMENT DIVISION
 83 BRUSHY FORK RD
 CROSSIN
 BUCKHANNON, WV 26201
 Phone: 304-473-4206

Prepared by:
 Bobby Slade
 HERITAGE EQUIPMENT, INC.
 322 DRY HILL RD.
 BECKLEY, WV 25801
 Phone: (304) 254-7827

Data Code	Description	Weight Front	Weight Rear	Retail Price
648-002	NONREMOVABLE BUGSCREEN MOUNTED BEHIND GRILLE			STD
667-001	FRONT FENDERS			STD
754-001	2 INCH FENDER EXTENSIONS	5		\$89.00
678-039	LH AND RH EXTERIOR GRAB HANDLES WITH RUBBER INSERT AND LH AND RH INTERIOR GRAB HANDLES MOUNTED TO A POST			\$8.00
646-008	STATIONARY BRIGHT FINISH GRILLE			STD
65X-003	CHROME HOOD MOUNTED AIR INTAKE GRILLE			STD
640-008	GALVANEALD STEEL SEVERE SERVICE CAB			STD
644-004	FIBERGLASS HOOD			STD
690-007	HOOD LINER INSULATION WITH SINGLE FIREWALL INSULATION			\$101.00
727-019	SINGLE HADLEY SD-978 26 INCH RECTANGULAR AIR HORN	-4		(\$115.00)
726-001	SINGLE ELECTRIC HORN			STD
728-001	SINGLE HORN SHIELD			N/C
657-1AG	DOORS AND IGNITION KEYED THE SAME			STD
575-001	REAR LICENSE PLATE MOUNT END OF FRAME			STD
327-064	DUAL AMBER LED CLASS I STROBE LIGHTS WITH STAINLESS STEEL BRACKETS	20		\$572.00
312-072	SINGLE RECTANGULAR SEALED BEAM HEADLIGHTS WITH BRIGHT BEZELS			STD
302-022	LED MARKER LAMPS			\$95.00
314-824	WIRING AND SWITCH FOR CUSTOMER FURNISHED SNOW PLOW LAMPS WITH DUAL CONNECTIONS AT BUMPER			\$182.00
294-001	INTEGRAL STOP/TAIL/BACKUP LIGHTS			STD
300-015	STANDARD FRONT TURN SIGNAL LAMPS			STD
744-1E0	DUAL WEST COAST STAINLESS STEEL HEATED MIRRORS WITH LH AND RH REMOTE			\$396.00
797-001	DOOR MOUNTED MIRRORS			STD
796-001	102 INCH EQUIPMENT WIDTH			STD
743-1AA	LH AND RH SUREPLUS 574 8 INCH BRIGHT FINISH HEATED CONVEX MIRRORS WITH SEPARATE ADJUSTMENT, MOUNTED BELOW MIRROR			\$36.00
74A-001	RH DOWN VIEW MIRROR			STD
729-001	STANDARD SIDE/REAR REFLECTORS			STD
768-046	17.5X35 INCH TINTED REAR WINDOW			STD
661-006	TINTED DOOR GLASS			STD
654-011	RH AND LH ELECTRIC POWERED WINDOWS	4		\$151.00



Prepared for:
 MARCIA LEE
 WVDOT EQUIPMENT DIVISION
 83 BRUSHY FORK RD
 CROSSIN
 BUCKHANNON, WV 26201
 Phone: 304-473-4206

Prepared by:
 Bobby Slade
 HERITAGE EQUIPMENT, INC.
 322 DRY HILL RD.
 BECKLEY, WV 25801
 Phone: (304) 254-7827

Data Code	Description	Weight Front	Weight Rear	Retail Price
663-023	2-PIECE TINTED CURVED GASKET MOUNTED HEATED WINDSHIELD			\$473.00
659-025	2 GALLON WINDSHIELD WASHER RESERVOIR WITHOUT FLUID LEVEL INDICATOR, MOUNTED UNDER CAB, WITH REMOTE FILL			STD
Cab Interior				
707-1D0	GRAY VINYL BASE INTERIOR			STD
70K-005	BLACK HARD TRIM			STD
706-049	BASE LEFT HAND DOOR TRIM			STD
708-049	BASE RIGHT HAND DOOR TRIM			STD
772-007	BLACK MATS WITH DOUBLE INSULATION			\$37.00
785-007	DASH MOUNTED ASH TRAY AND LIGHTER, DRIVER SIDE			STD
691-001	FORWARD ROOF MOUNTED CONSOLE			STD
694-009	PASSENGER SIDE WING DASH MOUNTED GLOVE BOX WITH LOCKING DOOR			STD
693-025	LH AND RH DOOR MAP POCKETS			STD
741-015	(2) COAT HOOKS ON BACKWALL OF CAB			N/C
680-034	TWO-TONE CHARCOAL UPPER/COOL GRAY LOWER SOFT TOUCH WING DASH WITH BLACK DRIVER SIDE COSMETIC UNDER DASH COVER			STD
320-004	STANDARD WIRING			STD
720-003	5 LB. FIRE EXTINGUISHER	10		\$57.00
700-023	HEATER, DEFROSTER AND AIR CONDITIONER WITH CONSTANT TEMPERATURE CONTROL AND COSMETIC COVER			STD
701-011	HVAC DUCTING WITH DUST/ODOR MAIN FRESH AIR FILTER AND OUTSIDE PRE-FILTER			\$81.00
703-005	MAIN HVAC CONTROLS WITH RECIRCULATION SWITCH			STD
170-015	STANDARD HEATER PLUMBING			STD
130-033	DENSO HEAVY DUTY AIR CONDITIONER COMPRESSOR			STD
698-001	RADIATOR MOUNTED AIR CONDITIONER CONDENSER			STD
702-002	BINARY CONTROL, R-134A			STD
739-002	ADDITIONAL CAB SIDEWALL INSULATION	60	10	\$162.00
285-019	AUTOMATIC SELF-RESET CIRCUIT BREAKER IN MAIN DASH POWER DISTRIBUTION BOX AND CIRCUIT BREAKER/FUSE IN AUXILIARY POWER DISTRIBUTION BOXES			STD



Prepared for:
 MARCIA LEE
 WVDOT EQUIPMENT DIVISION
 83 BRUSHY FORK RD
 CROSSIN
 BUCKHANNON, WV 26201
 Phone: 304-473-4206

Prepared by:
 Bobby Slade
 HERITAGE EQUIPMENT, INC.
 322 DRY HILL RD.
 BECKLEY, WV 25801
 Phone: (304) 254-7827

Data Code	Description	Weight Front	Weight Rear	Retail Price
324-075	DOOR ACTIVATED DOME LIGHT, UNDER DASH LIGHT AND LH AND RH DOOR MOUNTED COURTESY LIGHTS			STD
655-001	CAB DOOR LATCHES WITH MANUAL DOOR LOCKS			STD
722-028	TRIANGULAR REFLECTORS KIT WITHOUT FLARES SHIPPED LOOSE IN CAB	10		\$28.00
756-1D9	PREMIUM HIGH BACK AIR SUSPENSION DRIVER SEAT WITH 3 CHAMBER AIR LUMBAR, INTEGRATED CUSHION EXTENSION, FORWARD AND REAR CUSHION TILT, ADJUSTABLE SHOCK ABSORBER	40		\$187.00
760-1D9	PREMIUM HIGH BACK AIR SUSPENSION PASSENGER SEAT WITH 3 CHAMBER AIR LUMBAR, INTEGRATED CUSHION EXTENSION, FORWARD AND REAR CUSHION TILT, ADJUSTABLE SHOCK ABSORBER	60	20	(\$95.00)
759-002	INBOARD DRIVER AND PASSENGER SEAT ARMRESTS	4		\$71.00
758-022	BLACK MORDURA CLOTH DRIVER SEAT COVER			STD
761-023	BLACK MORDURA CLOTH PASSENGER SEAT COVER			STD
763-003	3 POINT DRIVER AND PASSENGER SEAT BELT RETRACTORS			STD
725-998	NO SUPPLEMENTAL RESTRAINT SYSTEM			STD
532-002	ADJUSTABLE TILT AND TELESCOPING STEERING COLUMN			STD
540-005	2-SPOKE 20 INCH (500MM) BLACK STEERING WHEEL			STD
765-002	DRIVER AND PASSENGER INTERIOR SUN VISORS			STD

Instruments & Controls

185-002	NON-ADJUSTABLE SUSPENDED PEDALS			STD
870-004	STAR GAUGES WITH BLACK BEZELS			STD
732-001	BLACK DRIVER INSTRUMENT PANEL			STD
734-001	BLACK CENTER INSTRUMENT PANEL			STD
486-001	LOW AIR PRESSURE INDICATOR LIGHT AND AUDIBLE ALARM			STD
840-002	2 INCH PRIMARY AND SECONDARY AIR PRESSURE GAUGES			STD
198-002	INTAKE MOUNTED AIR RESTRICTION INDICATOR WITH GRADUATIONS			STD
149-012	CRUISE CONTROL SWITCHES IN THE CENTER PANEL			STD



Prepared for:
 MARCIA LEE
 WVDOT EQUIPMENT DIVISION
 83 BRUSHY FORK RD
 CROSSIN
 BUCKHANNON, WV 26201
 Phone: 304-473-4206

Prepared by:
 Bobby Slade
 HERITAGE EQUIPMENT, INC.
 322 DRY HILL RD.
 BECKLEY, WV 25801
 Phone: (304) 254-7827

Data Code	Description	Weight Front	Weight Rear	Retail Price
156-007	KEY OPERATED IGNITION SWITCH AND INTEGRAL START POSITION; 4 POSITION OFF/RUN/START/ACCESSORY			STD
811-001	WARNING LAMP/LIGHT BAR DISPLAY, NON-DATA LINKED			STD
160-038	HEAVY DUTY ONBOARD DIAGNOSTICS INTERFACE CONNECTOR LOCATED BELOW LH DASH			STD
844-001	2 INCH ELECTRIC FUEL GAUGE			STD
845-011	FUEL FILTER RESTRICTION INDICATOR			STD
148-085	EMISSIONS LIMITED IDLE ADJUST			STD
856-001	ELECTRICAL ENGINE COOLANT TEMPERATURE GAUGE			STD
864-001	2 INCH TRANSMISSION OIL TEMPERATURE GAUGE			STD
372-035	(1) DASH MOUNTED PTO SWITCH WITH INDICATOR LAMP	5		\$112.00
852-002	ELECTRIC ENGINE OIL PRESSURE GAUGE			STD
746-115	AM/FM/WB WORLD TUNER RADIO WITH BLUETOOTH AND USB AND AUXILIARY INPUTS, J1939	10		\$405.00
747-002	ROOF/OVERHEAD CONSOLE MOUNTED RADIO			N/C
750-004	(4) RADIO SPEAKERS IN CAB			N/C
753-019	AM/FM ANTENNA MOUNTED ON RH FRONT A-PILLAR	2		\$32.00
748-026	POWER AND GROUND WIRING FOR CB RADIO IN OVERHEAD CONSOLE			STD
752-017	MULTI-BAND AM/FM/WB/CB LH MIRROR MOUNTED ANTENNA SYSTEM			STD
810-042	ELECTRONIC MPH SPEEDOMETER WITH SECONDARY KPH SCALE, WITH ODOMETER			STD
817-001	STANDARD VEHICLE SPEED SENSOR			STD
812-003	ELECTRONIC 3000 RPM TACHOMETER WITH HOUR METER			\$35.00
813-998	NO VEHICLE PERFORMANCE MONITOR			(\$998.00)
8D1-998	NO DETROIT CONNECT SERVICES SELECTED			N/C
8Z1-998	NO ZONAR SERVICES SELECTED			STD
162-002	IGNITION SWITCH CONTROLLED ENGINE STOP			STD
329-1AW	SIX IGNITION CONTROLLED EXTRA SWITCHES WITH INDICATOR LIGHT, 10 AMPS, WIRED BETWEEN DRIVER AND PASSENGER SEATS			\$291.00
482-001	BW TRACTOR PROTECTION VALVE			N/C
883-001	TRAILER HAND CONTROL BRAKE VALVE			N/C



Prepared for:
 MARCIA LEE
 WVDOT EQUIPMENT DIVISION
 83 BRUSHY FORK RD
 CROSSIN
 BUCKHANNON, WV 26201
 Phone: 304-473-4206

Prepared by:
 Bobby Slade
 HERITAGE EQUIPMENT, INC.
 322 DRY HILL RD.
 BECKLEY, WV 25801
 Phone: (304) 254-7827

Data Code	Description	Weight Front	Weight Rear	Retail Price
836-001	2 INCH VOLTMETER			STD
660-001	SINGLE ELECTRIC WINDSHIELD WIPER MOTOR WITH DELAY AND ARCTIC TYPE BLADES			\$16.00
304-026	CAB MARKER LIGHT AND HEADLIGHT SWITCH WITH SEPARATE SWITCH AND TERMINALS FOR CUSTOMER FURNISHED SNOW PLOW LIGHTS AND TURN SIGNALS			\$25.00
882-004	TWO VALVE PARKING BRAKE SYSTEM WITH WARNING INDICATOR			N/C
299-032	VSM NON CANCELING TURN SIGNAL SWITCH WITH INTEGRAL HEADLAMP DIMMER WITHOUT BRAKE OVERRIDE			STD
298-036	PACIFIC INSIGHT ELECTRONIC FLASHER			STD
Design				
065-000	PAINT: ONE SOLID COLOR			STD
Color				
980-5F6	CAB COLOR A: L0006EB WHITE ELITE BC			STD
96J-001	CAB INTERIOR PAINTED SAME AS CAB COLOR			STD
986-020	BLACK, HIGH SOLIDS POLYURETHANE CHASSIS PAINT			STD
964-993	BUMPER PAINTED SAME AS CHASSIS			STD
Certification / Compliance				
996-001	U.S. FMVSS CERTIFICATION, EXCEPT SALES CABS AND GLIDER KITS			STD
Secondary Factory Options				
82D-998	NO PDI INSTALLED GRILLE/HOOD TRIM			STD
Sales Programs				
RZ1-998	NO ZONAR SERVICE SELECTED			STD

TOTAL VEHICLE SUMMARY

Adjusted List Price

Adjusted List Price ** \$204,158.00

Weight Summary

Application Version 9.2.411
 Data Version PRL-16T.015
 WVDOH 64K GVWR



08/15/2017 10:19 AM

Page 15 of 23

Prepared for:
 MARCIA LEE
 WVDOT EQUIPMENT DIVISION
 83 BRUSHY FORK RD
 CROSSIN
 BUCKHANNON, WV 26201
 Phone: 304-473-4206

Prepared by:
 Bobby Slade
 HERITAGE EQUIPMENT, INC.
 322 DRY HILL RD.
 BECKLEY, WV 25801
 Phone: (304) 254-7827

	Weight Front	Weight Rear	Total Weight
Factory Weight ⁺	10518 lbs	8121 lbs	18639 lbs
Dealer Installed Options	0 lbs	0 lbs	0 lbs
Total Weight⁺	10518 lbs	8121 lbs	18639 lbs

ITEMS NOT INCLUDED IN ADJUSTED LIST PRICE

Other Factory Charges

PMU-017	2016 OBD/2010 EPA/CARB/GHG17 ESCALATOR	\$350.00
RD1-998	NO DETROIT CONNECT SERVICE SELECTED	N/C
P73-2WS	STANDARD DESTINATION CHARGE	\$2,050.00

Extended Warranty

WAI-10V	EW4 DD13 VOC \$0 DEDUCTIBLE 5 YEAR/200000 MILES FULL COVERAGE	\$2,900.00
N	WAD-064 COOLING: HD STANDARD 2 YEARS/200,000 MILES/322,000 KM EXTENDED COVERAGE FEX APPLIES	\$225.00
	Currency Exchange Rate	1.0000
	Total Extended Warranty (Local Currency)	\$3,125.00

Dealer Installed Options

		Weight Front	Weight Rear	Price
0001	IDLE FREE SYSTEM INSTALLED	0	0	\$5,675.00
0002	ACE SUPPLIED DUMP BODY, HYD. SYSTEM, FRONT PLOW, AND 9.5' V-BOX	0	0	\$88,504.00
0003	PRICE INCREASE FOR 2019 YEAR MODEL	0	0	\$750.00
	Total Dealer Installed Options	0 lbs	0 lbs	\$94,929.00

(+) Weights shown are estimates only.



Prepared for:
MARCIA LEE
WVDOT EQUIPMENT DIVISION
83 BRUSHY FORK RD
CROSSIN
BUCKHANNON, WV 26201
Phone: 304-473-4206

Prepared by:
Bobby Slade
HERITAGE EQUIPMENT, INC.
322 DRY HILL RD.
BECKLEY, WV 25801
Phone: (304) 254-7827

If weight is critical, contact Customer Application Engineering.

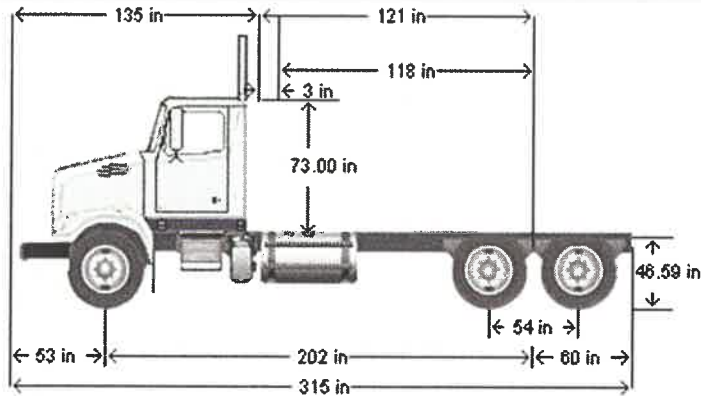
(**) Prices shown do not include taxes, fees, etc... "Net Equipment Selling Price" is located on the Quotation Details Proposal Report.



Prepared for:
 MARCIA LEE
 WVDOT EQUIPMENT DIVISION
 83 BRUSHY FORK RD
 CROSSIN
 BUCKHANNON, WV 26201
 Phone: 304-473-4206

Prepared by:
 Bobby Slade
 HERITAGE EQUIPMENT, INC.
 322 DRY HILL RD.
 BECKLEY, WV 25801
 Phone: (304) 254-7827

D I M E N S I O N S



VEHICLE SPECIFICATIONS SUMMARY - DIMENSIONS

Model.....	4700SF
Wheelbase (545)	5125MM (202 INCH) WHEELBASE
Rear Frame Overhang (552).....	1525MM (60 INCH) REAR FRAME OVERHANG
Fifth Wheel (578)	NO FIFTH WHEEL
Mounting Location (577).....	NO FIFTH WHEEL LOCATION
Maximum Forward Position (in).....	0
Maximum Rearward Position (in)	0
Amount of Slide Travel (in).....	0
Slide Increment (in).....	0
Desired Slide Position (in).....	0.0
Cab Size (829).....	110 INCH BBC STEEL CONVENTIONAL CAB
Sleeper (682).....	NO SLEEPER BOX/SLEEPERCAB
Exhaust System (016).....	RH OUTBOARD UNDER STEP MOUNTED HORIZONTAL AFTERTREATMENT SYSTEM ASSEMBLY WITH RH B-PILLAR MOUNTED VERTICAL TAILPIPE

TABLE SUMMARY - DIMENSIONS

Prepared for:
 MARCIA LEE
 WVDOT EQUIPMENT DIVISION
 83 BRUSHY FORK RD
 CROSSIN
 BUCKHANNON, WV 26201
 Phone: 304-473-4206

Prepared by:
 Bobby Slade
 HERITAGE EQUIPMENT, INC.
 322 DRY HILL RD.
 BECKLEY, WV 25801
 Phone: (304) 254-7827

Dimensions	Inches
Bumper to Back of Cab (BBC)	134.5
Bumper to Centerline of Front Axle (BA)	53.3
Min. Cab to Body Clearance (CB)	3.0
Back of Cab to Centerline of Rear Axle(s) (CA)	120.8
Effective Back of Cab to Centerline of Rear Axle(s) (Effective CA)	117.8
Back of Cab Protrusions (Exhaust/Intake) (CP)	2.0
Back of Cab Protrusions (Side Extenders/Trim Tab) (CP)	0.0
Back of Cab Protrusions (CNG Tank)	0.0
Back of Cab Clearance (CL)	3.0
Back of Cab to End of Frame	180.8
Cab Height (CH)	73.0
Wheelbase (WB)	202.0
Frame Overhang (OH)	60.0
Overall Length (OAL)	315.3
Rear Axle Spacing	54.0
Unladen Frame Height at Centerline of Rear Axle	46.6

Performance calculations are estimates only. If performance calculations are critical, please contact Customer Application Engineering.



Prepared for:
 MARCIA LEE
 WVDOT EQUIPMENT DIVISION
 83 BRUSHY FORK RD
 CROSSIN
 BUCKHANNON, WV 26201
 Phone: 304-473-4206

Prepared by:
 Bobby Slade
 HERITAGE EQUIPMENT, INC.
 322 DRY HILL RD.
 BECKLEY, WV 25801
 Phone: (304) 254-7827

G V W R

VEHICLE SPECIFICATIONS SUMMARY - GVWR

Model.....	4700SF
Cab Size (829).....	110 INCH BBC STEEL CONVENTIONAL CAB
Expected Front Axle(s) Load (lbs).....	20000.0
Expected Pusher Axle(s) Load (lbs).....	0.0
Expected Rear Axle(s) Load (lbs).....	44000.0
Expected Tag Axle(s) Load (lbs).....	0.0
Expected GVW (lbs).....	64000
Expected GCW (lbs).....	80000.0
Front Axle (400).....	DETROIT DA-F-20.0-5 20,000# FL1 71.0 KPI/3.74 DROP SINGLE FRONT AXLE
Front Suspension (620).....	20,000# FLAT LEAF FRONT SUSPENSION
Front Hubs (418).....	CONMET PRESET PLUS PREMIUM IRON FRONT HUBS
Front Disc Wheels (502) ..	ACCURIDE 41012 22.5X9.00 10-HUB PILOT 3.12 INSET 10-HAND ALUMINUM DISC FRONT WHEELS
Front Tires (093).....	CONTINENTAL CITY SERVICE HA3 315/80R22.5 20 PLY RADIAL FRONT TIRES
Front Brakes (402).....	MERITOR 16.5X6 Q+ CAST SPIDER CAM FRONT BRAKES, DOUBLE ANCHOR, FABRICATED SHOES
Steering Gear (536).....	TRW THP-60 POWER STEERING WITH RCH45 AUXILIARY GEAR
Rear Axle (420).....	RT-46-160 46,000# R-SERIES TANDEM REAR AXLE
Rear Suspension (622).....	HENDRICKSON RT463 @46,000# REAR SUSPENSION
Rear Hubs (450).....	CONMET PRESET PLUS PREMIUM IRON REAR HUBS
Rear Disc Wheels (505).....	ALCOA LVL ONE 88367X 22.5X8.25 10-HUB PILOT ALUMINUM DISC REAR WHEELS
Rear Tires (094).....	CONTINENTAL HDC1 11R22.5 16 PLY RADIAL REAR TIRES
Rear Brakes (423).....	MERITOR 16.5X7 Q+ CAST SPIDER CAM REAR BRAKES, DOUBLE ANCHOR, FABRICATED SHOES
Pusher / Tag Axle (443).....	NO PUSHER OR TAG AXLE
Pusher / Tag Suspension (626).....	NO PUSHER OR TAG SUSPENSION
Pusher / Tag Hubs (449).....	NO PUSHER OR TAG HUBS
Pusher/Tag Disc Wheels (509)	NO PUSHER/TAG DISC WHEELS
Pusher / Tag Tires (095).....	NO PUSHER/TAG TIRES
Pusher / Tag Brakes (456).....	NO PUSHER/TAG BRAKES

TABLE SUMMARY - GVWR



Prepared for:
 MARCIA LEE
 WVDOT EQUIPMENT DIVISION
 83 BRUSHY FORK RD
 CROSSIN
 BUCKHANNON, WV 26201
 Phone: 304-473-4206

Prepared by:
 Bobby Slade
 HERITAGE EQUIPMENT, INC.
 322 DRY HILL RD.
 BECKLEY, WV 25801
 Phone: (304) 254-7827

	Front	Rear 1	Rear 2
Axle Component Weight Ratings			
Axles	20000	23000	23000
Suspension	20000	23000	23000
Hubs	23000	26000	26000
Brakes	20000	22000	22000
Wheels	20400	29600	29600
Tires	20000	24020	24020
Power Steering	22000	N/A	N/A
GAWR (per axle)	20000	22000	22000
GAWR (per axle system)	20000		44000
Expected Load (per axle system)	20000		44000
Vehicle GVWR Summary			
Calculated GVWR	64000		
Expected GVWR	64000		
All weights displayed in pounds			

Performance calculations are estimates only. If performance calculations are critical, please contact Customer Application Engineering.



Prepared for:
 MARCIA LEE
 WVDOT EQUIPMENT DIVISION
 83 BRUSHY FORK RD
 CROSSIN
 BUCKHANNON, WV 26201
 Phone: 304-473-4206

Prepared by:
 Bobby Slade
 HERITAGE EQUIPMENT, INC.
 322 DRY HILL RD.
 BECKLEY, WV 25801
 Phone: (304) 254-7827

FRAME RBM

VEHICLE SPECIFICATIONS SUMMARY - FRAME RBM

Wheelbase (545) 5125MM (202 INCH) WHEELBASE
 Frame Rails (546) 1/2X3.64X11-7/8 INCH STEEL FRAME (12.7MMX301.6MM/0.5X11.88 INCH) 120KSI(546)
 Yield Strength (psi)..... 120000
 Section Modulus (per rail) (cu in).....26.26
 RBM (per rail) (lbf-in).....3204000
 Inner Frame Reinforcement (547)PARTIAL INNER FRAME REINFORCEMENT AT FRONT SUSPENSION
 Outer Frame Reinforcement (548) . BODY COMPANY INSTALLED ADDITIONAL FRONT FRAME REINFORCEMENT FOR SNOW PLOW

TABLE SUMMARY - FRAME RBM

Item	Description / Value
Wheelbase	5125MM (202 INCH) WHEELBASE
Frame	1/2X3.64X11-7/8 INCH STEEL FRAME (12.7MMX301.6MM/0.5X11.88 INCH) 120KSI
Inner Frame Reinforcement	PARTIAL INNER FRAME REINFORCEMENT AT FRONT SUSPENSION
Outer Frame Reinforcement	BODY COMPANY INSTALLED ADDITIONAL FRONT FRAME REINFORCEMENT FOR SNOW PLOW
Yield Strength (psi)	120000
Section Modulus - per rail (cu. in.)	26.70
Frame RBM - per rail (lbf-in)	3204000

Performance calculations are estimates only. If performance calculations are critical, please contact Customer Application Engineering.



Prepared for:
 MARCIA LEE
 WVDOT EQUIPMENT DIVISION
 83 BRUSHY FORK RD
 CROSSIN
 BUCKHANNON, WV 26201
 Phone: 304-473-4206

Prepared by:
 Bobby Slade
 HERITAGE EQUIPMENT, INC.
 322 DRY HILL RD.
 BECKLEY, WV 25801
 Phone: (304) 254-7827

Q U O T A T I O N

4700 SET-FORWARD FRONT AXLE CHASSIS

SET FORWARD AXLE - TRUCK
 DETROIT DD13 12.8L 470 HP @ 1625 RPM, 1900 GOV
 RPM, 1650 LB/FT @ 975 RPM
 ALLISON 4500 RDS AUTOMATIC TRANSMISSION WITH
 PTO PROVISION
 RT-46-160 46,000# R-SERIES TANDEM REAR AXLE
 HENDRICKSON RT463 @46,000# REAR SUSPENSION
 DETROIT DA-F-20.0-5 20,000# FL1 71.0 KPI/3.74 DROP
 SINGLE FRONT AXLE
 20,000# FLAT LEAF FRONT SUSPENSION

110 INCH BBC STEEL CONVENTIONAL CAB
 5125MM (202 INCH) WHEELBASE
 1/2X3.64X11-7/8 INCH STEEL FRAME
 (12.7MMX301.6MM/0.5X11.88 INCH) 120KSI
 1525MM (60 INCH) REAR FRAME OVERHANG
 PARTIAL INNER FRAME REINFORCEMENT AT FRONT
 SUSPENSION
 BODY COMPANY INSTALLED ADDITIONAL FRONT
 FRAME REINFORCEMENT FOR SNOW PLOW

	TOTAL # OF UNITS (1)	PER UNIT	TOTAL
VEHICLE PRICE	\$	108,285	\$ 108,285
EXTENDED WARRANTY	\$	3,125	\$ 3,125
DEALER INSTALLED OPTIONS	\$	94,929	\$ 94,929
CUSTOMER PRICE BEFORE TAX	\$	206,339	\$ 206,339

TAXES AND FEES

FEDERAL EXCISE TAX (FET)	\$	(358)	\$ (358)
TAXES AND FEES	\$	0	\$ 0
OTHER CHARGES	\$	0	\$ 0

TRADE-IN

TRADE-IN ALLOWANCE	\$	(0)	\$ (0)
---------------------------	-----------	------------	---------------

BALANCE DUE	(LOCAL CURRENCY) \$	205,981	\$ 205,981
--------------------	----------------------------	----------------	-------------------

COMMENTS: Projected delivery on ___ / ___ / ___ provided the order is received before ___ / ___ / ___.
 APPROVAL: Please indicate your acceptance of this quotation by signing below: Customer:
 X _____ Date: ___ / ___ / ___.

Daimler Truck Financial

Financing that works for you.

See your local dealer for a competitive quote from Daimler Truck Financial, or contact us at Information@dtfoffers.com.
 Daimler Truck Financial offers a variety of finance, lease and insurance solutions to fit your business needs. For more information about our products and services, visit our website at www.daimler-truckfinancial.com.

