

The following documentation is an electronically-submitted vendor response to an advertised solicitation from the *West Virginia Purchasing Bulletin* within the Vendor Self-Service portal at ***wvOASIS.gov***. As part of the State of West Virginia's procurement process, and to maintain the transparency of the bid-opening process, this documentation submitted online is publicly posted by the West Virginia Purchasing Division at ***WVPurchasing.gov*** with any other vendor responses to this solicitation submitted to the Purchasing Division in hard copy format.

Header @ 1

List View

General Information | [Contact](#) | [Default Values](#) | [Discount](#) | [Document Information](#)

Procurement Folder: 363518

SO Doc Code: CRFQ

Procurement Type: Central Purchase Order

SO Dept: 0702

Vendor ID:

SO Doc ID: TAX1800000003

Legal Name: POMEROY IT SOLUTIONS SALES CO

Published Date: 8/17/17

Alias/DBA:

Close Date: 8/31/17

Total Bid: \$32,255.70

Close Time: 13:30

Response Date:

Status: Closed

Response Time:

Solicitation Description:

Total of Header Attachments: 1

Total of All Attachments: 1



Purchasing Division
 2019 Washington Street East
 Post Office Box 50130
 Charleston, WV 25305-0130

State of West Virginia
 Solicitation Response

Proc Folder : 363518
 Solicitation Description : Addendum No. 1 - Security Camera System
 Proc Type : Central Purchase Order

Date issued	Solicitation Closes	Solicitation Response	Version
	2017-08-31 13:30:00	SR 0702 ESR08291700000000750	1

VENDOR
000000219123 POMEROY IT SOLUTIONS SALES CO

Solicitation Number: CRFQ 0702 TAX1800000003

Total Bid : \$32,255.70 Response Date: 2017-08-29 Response Time: 09:33:59

Comments:

FOR INFORMATION CONTACT THE BUYER
 Michelle L Childers
 (304) 558-2063
 michelle.l.childers@wv.gov

Signature on File	FEIN #	DATE
-------------------	--------	------

All offers subject to all terms and conditions contained in this solicitation

Line	Comm Ln Desc	Qty	Unit Issue	Unit Price	Ln Total Or Contract Amount
1	13.1.1 Hikvision Model DS-2CD2122FWD-IS(B) or Equal	16.00000	EA	\$196.650000	\$3,146.40

Comm Code	Manufacturer	Specification	Model #
46171610			

Extended Description : Interior Security Camera

Comments: Equal: INSD02IRWVB -Spec Attached-

Line	Comm Ln Desc	Qty	Unit Issue	Unit Price	Ln Total Or Contract Amount
2	13.1.2 Hikvision Model DS-2CD2152F-IS or Equal	9.00000	EA	\$297.000000	\$2,673.00

Comm Code	Manufacturer	Specification	Model #
46171610			

Extended Description : Exterior Security Camera
Sides of Building

Comments: Equal: INSD06IRWF -Spec Attached-

Line	Comm Ln Desc	Qty	Unit Issue	Unit Price	Ln Total Or Contract Amount
3	13.1.3 Hikvision DS-2DF8836IV-AEL or Equal	2.00000	EA	\$3,572.000000	\$7,144.00

Comm Code	Manufacturer	Specification	Model #
46171610			

Extended Description : Exterior Security Camera
Rear Side of the Building

Comments: Equal: INSD04KLPTZ30X -Spec Attached-

Line	Comm Ln Desc	Qty	Unit Issue	Unit Price	Ln Total Or Contract Amount
4	13.1.4 Hikvision DS-2DF6236V-AEL or Equal	2.00000	LS	\$1,130.900000	\$2,261.80

Comm Code	Manufacturer	Specification	Model #
46171610			

Extended Description :	Exterior Camera Upper Rear Side of the Building
-------------------------------	--

Comments: Equal: INSD02PTZ30XT -Spec Attached-

Line	Comm Ln Desc	Qty	Unit Issue	Unit Price	Ln Total Or Contract Amount
5	13.1.5 Hikvision DS-96128NI-I24/H or Equal	1.00000	LS	\$7,514.000000	\$7,514.00

Comm Code	Manufacturer	Specification	Model #
46171610			

Extended Description :	Network Video Recorder
-------------------------------	------------------------

Comments: Equal: INS128164K-20T -Spec Attached-

Line	Comm Ln Desc	Qty	Unit Issue	Unit Price	Ln Total Or Contract Amount
6	13.1.7 Miscellaneous Parts for CCTV System				\$2,100.00

Comm Code	Manufacturer	Specification	Model #
46171610			

Extended Description :	13.1.7 Miscellaneous Parts for CCTV System
-------------------------------	--

Line	Comm Ln Desc	Qty	Unit Issue	Unit Price	Ln Total Or Contract Amount
7	13.1.8. Labor and Hardware Installation:				\$6,916.50

Comm Code	Manufacturer	Specification	Model #
46171610			

Extended Description :	13.1.8. Labor and Hardware Installation:
-------------------------------	--

Line	Comm Ln Desc	Qty	Unit Issue	Unit Price	Ln Total Or Contract Amount
8	13.1.9 Acceptance and Training:				\$500.00

Comm Code	Manufacturer	Specification	Model #
46171610			

Extended Description : 13.1.9 Acceptance and Training:

Line	Comm Ln Desc	Qty	Unit Issue	Unit Price	Ln Total Or Contract Amount
9	3-Year Warranty				\$0.00

Comm Code	Manufacturer	Specification	Model #
46171610			

Extended Description : 3-Year Warranty

Comments: Includes 3-Year Warranty Standard



Purchasing Division
 2019 Washington Street East
 Post Office Box 50130
 Charleston, WV 25305-0130

State of West Virginia
 Request for Quotation
 04 – Audio/Video

Proc Folder: 363518

Doc Description: Addendum No. 1 - Security Camera System

Proc Type: Central Purchase Order

Date Issued	Solicitation Closes	Solicitation No	Version
2017-08-17	2017-08-31 13:30:00	CRFQ 0702 TAX1800000003	2

BID RECEIVING LOCATION

BID CLERK
 DEPARTMENT OF ADMINISTRATION
 PURCHASING DIVISION
 2019 WASHINGTON ST E
 CHARLESTON WV 25305
 US

VENDOR

Vendor Name, Address and Telephone Number:

Pomeroy IT Solutions
 500 Westmoreland Office Park
 Dunbar, WV 25064
 681-245-6025

FOR INFORMATION CONTACT THE BUYER

Michelle L Childers
 (304) 558-2063
 michelle.l.childers@wv.gov

Signature X

FEIN # 61-1352158

DATE 08-28-17

All offers subject to all terms and conditions contained in this solicitation

ADDITIONAL INFORMATION:

Addendum

Addendum No. 1 issued to publish and distribute the attached information to the vendor community.

Request for Quotation

The West Virginia State Purchasing Division is soliciting bids, on behalf of the Tax Division of the West Virginia Department of Revenue, to establish a one-time construction contract for the purchase of a Security Camera System(s) including installation, testing, employee training and three years of full warranty coverage, including time and materials.

INVOICE TO		SHIP TO	
OPERATIONS DIVISION TAX DIVISION OF PO BOX 11748 CHARLESTON WV25339-1748 US		OPERATIONS DIVISION TAX DIVISION OF REVENUE CENTER 1001 LEE ST E, STE 1 CHARLESTON WV 25301-1725 US	

Line	Comm Ln Desc	Qty	Unit Issue	Unit Price	Total Price
1	13.1.1 Hikvision Model DS-2CD2122FWD-IS(B) or Equal	16.00000	EA	<i>\$196.65 / \$3,146.40</i>	

Comm Code	Manufacturer	Specification	Model #
46171610		<i>- Attached - Equal: INSD02IRWB</i>	

Extended Description :
Interior Security Camera

INVOICE TO		SHIP TO	
OPERATIONS DIVISION TAX DIVISION OF PO BOX 11748 CHARLESTON WV25339-1748 US		OPERATIONS DIVISION TAX DIVISION OF REVENUE CENTER 1001 LEE ST E, STE 1 CHARLESTON WV 25301-1725 US	

Line	Comm Ln Desc	Qty	Unit Issue	Unit Price	Total Price
2	13.1.2 Hikvision Model DS-2CD2152F-IS or Equal	9.00000	EA	<i>\$297.00 / \$2,673.00</i>	

Comm Code	Manufacturer	Specification	Model #
46171610		<i>- Attached - Equal: INSD06IRWF</i>	

Extended Description :
Exterior Security Camera
Sides of Building

INVOICE TO		SHIP TO	
OPERATIONS DIVISION TAX DIVISION OF PO BOX 11748		OPERATIONS DIVISION TAX DIVISION OF REVENUE CENTER 1001 LEE ST E, STE 1	
CHARLESTON	WV25339-1748	CHARLESTON	WV 25301-1725
US		US	

Line	Comm Ln Desc	Qty	Unit Issue	Unit Price	Total Price
3	13.1.3 Hikvision DS-2DF8836IV-AEL or Equal	2.00000	EA	<i>\$3,572.00 / \$7,144.00</i>	

Comm Code	Manufacturer	Specification	Model #
46171610		<i>- Attached - Equal : INSD04KLPTZ30X</i>	

Extended Description :
Exterior Security Camera
Rear Side of the Building

INVOICE TO		SHIP TO	
OPERATIONS DIVISION TAX DIVISION OF PO BOX 11748		OPERATIONS DIVISION TAX DIVISION OF REVENUE CENTER 1001 LEE ST E, STE 1	
CHARLESTON	WV25339-1748	CHARLESTON	WV 25301-1725
US		US	

Line	Comm Ln Desc	Qty	Unit Issue	Unit Price	Total Price
4	13.1.4 Hikvision DS-2DF6236V-AEL or Equal	2.00000	LS	<i>\$1,130.90 / \$2,261.80</i>	

Comm Code	Manufacturer	Specification	Model #
46171610		<i>- Attached - Equal : INSD02PTZ30XT</i>	

Extended Description :
Exterior Camera
Upper Rear Side of the Building

INVOICE TO		SHIP TO	
OPERATIONS DIVISION TAX DIVISION OF PO BOX 11748		OPERATIONS DIVISION TAX DIVISION OF REVENUE CENTER 1001 LEE ST E, STE 1	
CHARLESTON	WV25339-1748	CHARLESTON	WV 25301-1725
US		US	

Line	Comm Ln Desc	Qty	Unit Issue	Unit Price	Total Price
5	13.1.5 Hikvision DS-96128NI-I24/H or Equal	1.00000	LS	<i>\$7,514.00 / \$7,514.00</i>	

Comm Code	Manufacturer	Specification	Model #
46171610			

- Attached - Equal: INS128164K-2QT

Extended Description :
Network Video Recorder

INVOICE TO		SHIP TO	
OPERATIONS DIVISION TAX DIVISION OF PO BOX 11748		OPERATIONS DIVISION TAX DIVISION OF REVENUE CENTER 1001 LEE ST E, STE 1	
CHARLESTON	WV25339-1748	CHARLESTON	WV 25301-1725
US		US	

Line	Comm Ln Desc	Qty	Unit Issue	Unit Price	Total Price
6	13.1.7 Miscellaneous Parts for CCTV System				
				#2,100.00 /	#2,100.00

Comm Code	Manufacturer	Specification	Model #
46171610			

Extended Description :
13.1.7 Miscellaneous Parts for CCTV System

INVOICE TO		SHIP TO	
OPERATIONS DIVISION TAX DIVISION OF PO BOX 11748		OPERATIONS DIVISION TAX DIVISION OF REVENUE CENTER 1001 LEE ST E, STE 1	
CHARLESTON	WV25339-1748	CHARLESTON	WV 25301-1725
US		US	

Line	Comm Ln Desc	Qty	Unit Issue	Unit Price	Total Price
7	13.1.8. Labor and Hardware Installation:				
				#6,916.50 /	#6,916.50

Comm Code	Manufacturer	Specification	Model #
46171610			

Extended Description :
13.1.8. Labor and Hardware Installation:

INVOICE TO		SHIP TO	
OPERATIONS DIVISION TAX DIVISION OF PO BOX 11748		OPERATIONS DIVISION TAX DIVISION OF REVENUE CENTER 1001 LEE ST E, STE 1	
CHARLESTON	WV25339-1748	CHARLESTON	WV 25301-1725
US		US	

Line	Comm Ln Desc	Qty	Unit Issue	Unit Price	Total Price
8	13.1.9 Acceptance and Training:		\$ 500. ⁰⁰	/ \$ 500. ⁰⁰	

Comm Code	Manufacturer	Specification	Model #
46171610			

Extended Description :
13.1.9 Acceptance and Training:

INVOICE TO		SHIP TO	
OPERATIONS DIVISION TAX DIVISION OF PO BOX 11748		OPERATIONS DIVISION TAX DIVISION OF REVENUE CENTER 1001 LEE ST E, STE 1	
CHARLESTON	WV25339-1748	CHARLESTON	WV 25301-1725
US		US	

Line	Comm Ln Desc	Qty	Unit Issue	Unit Price	Total Price
9	3-Year Warranty		# 0	/ # 0	

Comm Code	Manufacturer	Specification	Model #
46171610			

Extended Description :
3-Year Warranty

Total: \$ 32255.⁷⁰

TAX1800000003	Document Phase Final	Document Description Addendum No. 1 - Security Camera System	Page 6 of 6
---------------	--------------------------------	--	------------------------------

ADDITIONAL TERMS AND CONDITIONS

See attached document(s) for additional Terms and Conditions

**Exhibit A
Security Camera System**

Item	Part Number	*Manufacturer & Model Number	Unit of Measure	Unit Cost	Qty	Extended Cost
13.1.1	DS-2CD2122FWD-ISB-2.8mm Fixed Lens or Equal / Interior of Building	Inaxsys INSD02IRWVB	EA	\$ 196 ⁶⁵	16	\$ 3,146 ⁴⁰
13.1.2	DS-2CD2152F or Equal / Upper Sides of Building	Inaxsys INSD06IRWF	EA	\$ 297 ⁰⁰	9	\$ 2,673 ⁰⁰
13.1.3	DS-2DF8836IV-AEL or Equal / Lower Rear Side of the Building	Inaxsys INSD04KLPTZ30X	EA	\$ 3,572 ⁰⁰	2	\$ 7,144 ⁰⁰
13.1.4	DS-2DF6236-AEL or Equal / Upper Rear Side of the Building	Inaxsys INSD02PTZ30X	EA	\$ 1,130 ⁹⁰	2	\$ 2,261 ⁸⁰
13.1.5	DS-96128NI-I24/H or Equal / Network Video Recorder (NVR)	Inaxsys INS128164K-20T	EA	\$ 7,514 ⁰⁰	1	\$ 7,514 ⁰⁰
13.1.7	Miscellaneous Parts for CCTV System	N/A	Lump Sum	\$ 2,100 ⁰⁰	1	\$ 2,100 ⁰⁰
13.1.8	Labor and Hardware Installation	N/A	Lump Sum	\$ 6,916 ⁵⁰	1	\$ 6,916 ⁵⁰
13.1.9	Acceptance and Training	N/A	Lump Sum	\$ 500 ⁰⁰	1	\$ 500 ⁰⁰
13.1.10	3-Year Warranty	N/A	Lump Sum	\$ 0 ⁻	1	\$ 0 ⁻
Total Bid Amount						\$ 32,255⁷⁰

* When bidding an "or Equal", vendor must provide Manufacturer Specification sheet with bid.

SOLICITATION NUMBER: CRFQ TAX1800000003

Addendum Number: 01

The purpose of this addendum is to modify the solicitation identified as ("Solicitation") to reflect the change(s) identified and described below.

Applicable Addendum Category:

- Modify bid opening date and time
- Modify specifications of product or service being sought
- Attachment of vendor questions and responses
- Attachment of pre-bid sign-in sheet
- Correction of error
- Other

Description of Modification to Solicitation:

This addendum is issued to modify the solicitation per the attached documentation and the following:

1. To publish the vendor's questions and agency's answers.
2. To schedule a non-mandatory site visit for August 21, 2017 at 9:00 am est.
Location: 1001 Lee St. E., Charleston, WV
3. To schedule a second question deadline for August 25, 2017 at 4:00 pm est.
4. To modify the bid opening date to August 31, 2017 at 1:30PM, EST.

Additional Documentation: Documentation related to this Addendum (if any) has been included herewith as Attachment A and is specifically incorporated herein by reference. #

Terms and Conditions:

1. All provisions of the Solicitation and other addenda not modified herein shall remain in full force and effect.
2. Vendor should acknowledge receipt of all addenda issued for this Solicitation by completing an Addendum Acknowledgment, a copy of which is included herewith. Failure to acknowledge addenda may result in bid disqualification. The addendum acknowledgement should be submitted with the bid to expedite document processing.

ADDENDUM ACKNOWLEDGEMENT FORM
SOLICITATION NO.:

Instructions: Please acknowledge receipt of all addenda issued with this solicitation by completing this addendum acknowledgment form. Check the box next to each addendum received and sign below. Failure to acknowledge addenda may result in bid disqualification.

Acknowledgment: I hereby acknowledge receipt of the following addenda and have made the necessary revisions to my proposal, plans and/or specification, etc.

Addendum Numbers Received:

(Check the box next to each addendum received)

- | | |
|--|--|
| <input checked="" type="checkbox"/> Addendum No. 1 | <input type="checkbox"/> Addendum No. 6 |
| <input type="checkbox"/> Addendum No. 2 | <input type="checkbox"/> Addendum No. 7 |
| <input type="checkbox"/> Addendum No. 3 | <input type="checkbox"/> Addendum No. 8 |
| <input type="checkbox"/> Addendum No. 4 | <input type="checkbox"/> Addendum No. 9 |
| <input type="checkbox"/> Addendum No. 5 | <input type="checkbox"/> Addendum No. 10 |

I understand that failure to confirm the receipt of addenda may be cause for rejection of this bid. I further understand that any verbal representation made or assumed to be made during any oral discussion held between Vendor's representatives and any state personnel is not binding. Only the information issued in writing and added to the specifications by an official addendum is binding.

Pomeroy IT Solutions

Company
James Stewart

Authorized Signature
08-28-17

Date

NOTE: This addendum acknowledgment should be submitted with the bid to expedite document processing.

Revised 6/8/2012



STORM™

by Inaxsys

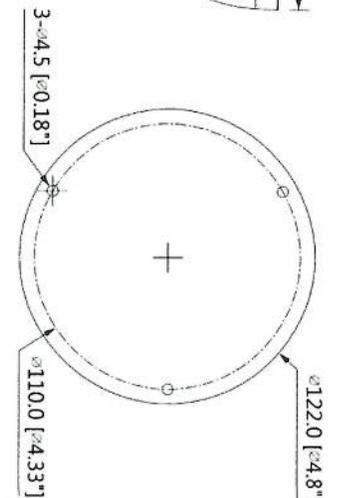
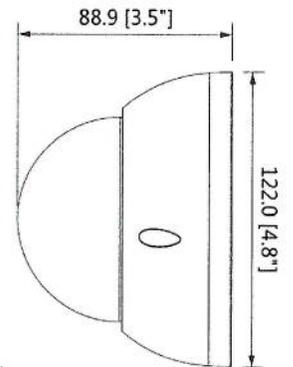
INSDO2IRWV

2MP 1080P True WDR IP Dome Camera with Varifocal lens

- 1/3" 2 megapixels CMOS
- 25/30 fps at 2MP
- Maximum 30 fps at 1080P
- Micro SD card slot (up to 128Gb)
- Day/Night(ICR), 3DNR, AWB, AGC, BLC, WDR (120dB)
- 2.7- 12 mm varifocal lens
- Maximum length of IR LEDs: 30m
- H.264+ and H.264 dual-stream encoding
- IP67, IK10, DC12V



Dimensions (mm)



Popular Mounting Solutions



INSDO2IRWV



INSX137



Junction Box



INSDO2IRWV



INSX203



Wall Mount



INSDO2IRWV



INSX152



INSX203



Pole Mount

INSDO2IRWV

Product Specifications



STORM[™]
by Inaxsys

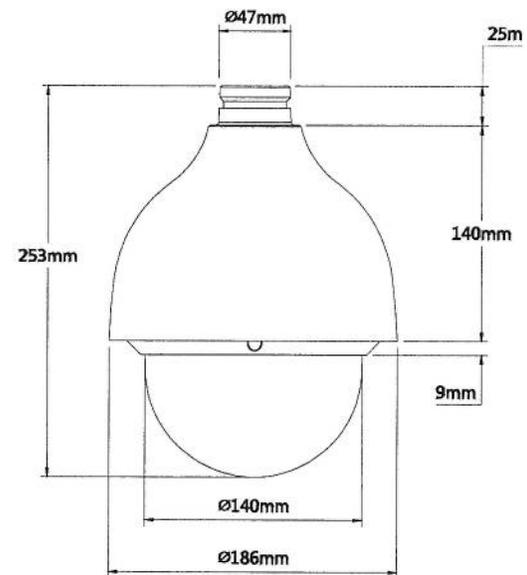
Camera	
Image Sensor	1/3" 2 megapixels CMOS
Effective Pixels	1920 (H)× 1080 (V)
RAM/ROM	256MB/16MB
S/N Ratio	More than 50dB
Video Frame Rate	2M (1 - 25/30fps) D1/CIF(1 - 25/30fps)
Minimum Illumination	0.1Lux/ F1.4 (Color), 0 Lux/ F1.4 (with IR on)
Camera Features	
Maximum IR LEDs Length	30m
Day/Night	Auto(ICR) / Color / B & W
Backlight Compensation	BLC / HLC / WDR (120dB)
Noise Reduction	3D DNR
Lens	
Focal length	2.7-12mm
Viewing Angle	H:99°- 37°
IR LEDs	2
Lens Type	Varifocal lens / Fixed iris
Digital Zoom	16x
Pan/ Tilt/ Rotate	Pan: 0° - 355° Tilt: 0° - 75° Rotate: 0° - 355°
Network	
Ethernet	RJ-45 (10/100Base-T)
Protocol	HTTP; HTTPS; TCP; ARP; RTSP; RTP; UDP; SMTP; FTP; DHCP; DNS; DDNS; PPPOE; IPv4/v6; QoS; UPnP; NTP; Bonjour; 802.1x; Multicast; ICMP; IGMP
Interoperability	ONVIF, PSIA, CGI
Maximum User Access	10 Users/ 20 Users
Web Viewer	IE, Chrome, Firefox, Safari
Smart Phone	iPhone, iPad, Android, Windows Phone
General	
Power Supply	DC12V PoE (802.3af) (Class 0)
Power Consumption	Maximum 9.75W
Working Environment	-30°C to 60°C (-22°F to 140°F) / Less than 90% RH
Ingress Protection	IP67 & IK10
Dimensions	122mm × 88.9mm (4.8"×3.5")
Weight	0.40kg (0.55kg with package)
Material	Aluminium

2MP Full HD 30xUltra-high SpeedNetwork PTZ Dome Camera

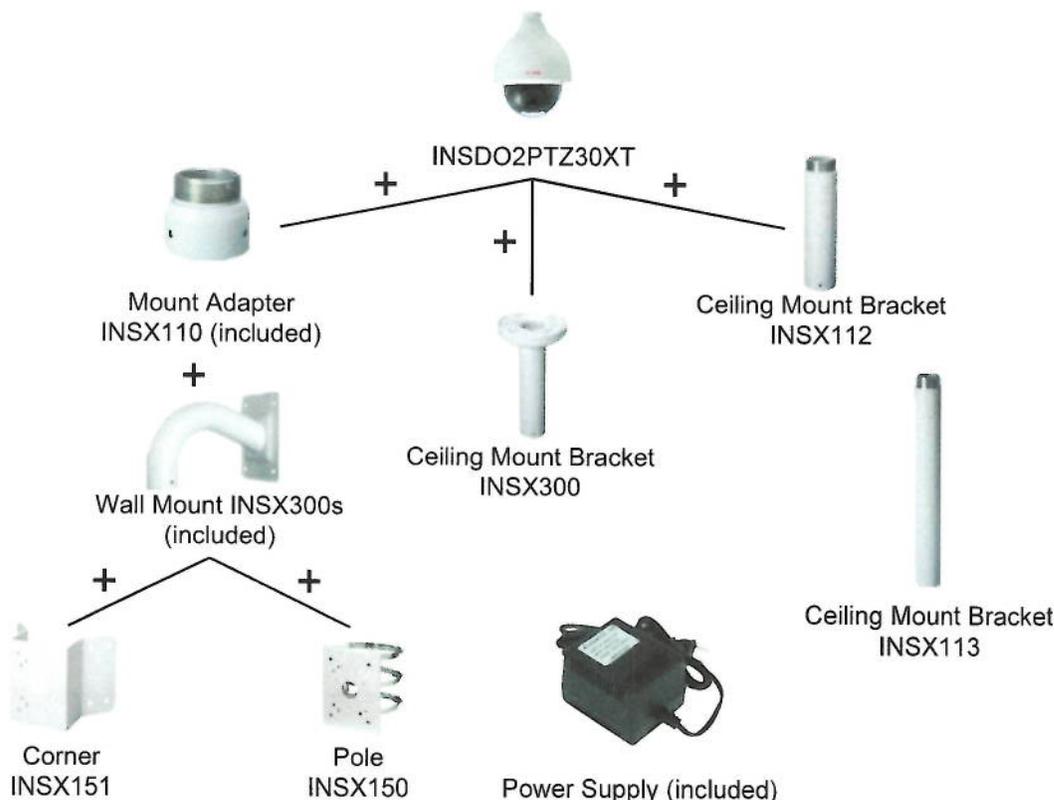
- 30x optical zoom
- Supports Triple-streams encoding
- Max. 30fps@1080P(1920 1080) & 60fps@720P resolution DWDR, Day/Night(ICR), Ultra DNR, Auto iris, Auto focus
- Multiple network monitoring: Web viewer, Storm VMS
- Max 500°/s pan speed, 360° endless pan rotation
Up to 300 presets, 5 auto scan, 8 tour, 5 pattern
Built-in 2/1 alarm in/out
- Supports intelligent 3D positioning with Storm protocol
- Micro SD memory, IP67, IK10



Dimensions (mm)



Popular Mounting Solutions



NSDO2PTZ30XT

Product specifications



Camera	
Image Sensor	1/2.8" Exmor CMOS
Effective Pixels	1920(H) x 1080(V), 2Megapixels
Scanning System	Progressive
Electronic Shutter Speed	1/3 ~ 1/30,000s
Min. Illumination	Color: 0.05Lux@F1.6; B/W: 0.005Lux@F1.6
S/N Ratio	More than 55dB
Camera Features	
Day/Night	Auto(ICR) / Color / B/W
Backlight Compensation	BLC / HLC / DWDR(Digital WDR)
White Balance	Auto, ATW, Indoor, Outdoor, Manual
Gain Control	Auto / Manual
Noise Reduction	Ultra DNR (2D/3D)
Privacy Masking	Up to 24 areas
Digital Zoom	16x
Lens	
Focal Length	4.5mm~135mm (30x Optical zoom)
Max Aperture	F1.6~ F4.4
Focus Control	Auto / Manual
Angle of View	H: 67.8° ~ 2.77°
Close Focus Distance	100mm~1000mm
PTZ	
Pan/Tilt Range	Pan: 0° ~ 360°endless;Tilt: 0° ~ 90°, auto flip 180°
Manual Control Speed	Pan: 0.1° ~350° /s;Tilt: 0.1° ~250° /s
Preset Speed	Pan:500° /s;Tilt: 500° /s
Preset	300
PTZ Mode	5 Pattern, 8 Tour, Auto Pan,Auto Scan
Speed Setup	Human-oriented focal length/ speed adaptation
Power up Action	Auto restore to previous PTZ and lens status after power failure
Idle Motion	Activate Preset/Pan/Scan/Tour/Pattern if there is no command in the specified period
Protocol	DH-SD(Auto recognition)
Video	
Compression	H.264 / MJPEG
Resolution	1080P(1920×1080)/720P(1280×720)/D1(704×576/704×480) /CIF (352×288/352×240)
Frame Rate	Main Stream 1080P/ D1 (1 ~ 30fps), 720P(1~60fps)

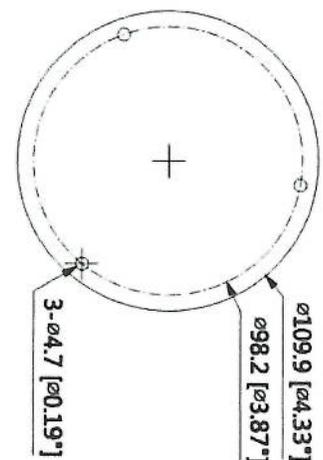
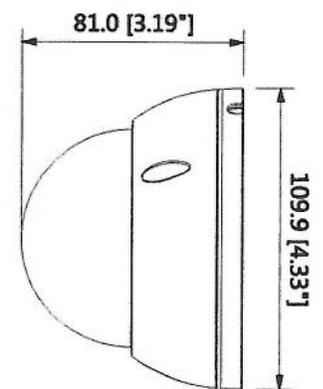
	Sub Stream 1	D1/CIF(1 ~ 30fps)
	Sub Stream 2	720P/ D1/ CIF (1 ~ 30fps)
Bit Rate		H.264: 448K ~ 8192Kbps
Audio		
Compression		G.711a / G.711Mu(32kbps)/PCM(128kbps)
Interface		1/1 channel In/Out
Network		
Ethernet		RJ-45 (10/100Base-T)
Protocol		IPv4/IPv6, HTTP, HTTPS, SSL, TCP/IP, UDP, UPnP, ICMP, IGMP, SNMP, RTSP, RTP, SMTP, NTP, DHCP, DNS, PPPOE, DDNS, FTP, IP Filter, QoS,
Compatibility		ONVIF PSIA CGI
Max. User Access		20 users
Smart Phone		iPhone, iPad, Android, Windows Phone
Auxiliary Interface		
Memory Slot		Micro SD, Max 128GB
Alarm		2/1channel In/Out
General		
Power Supply		AC24V/1.5A ($\pm 10\%$), POE plus (802.3at)
Power Consumption		13W,23W(Heater on)
Working Environment		-40°C ~ 60°C / Less than 90% RH
Ingress Protection		IP67, IK10
Dimensions		$\Phi 186.0(\text{mm}) \times 253(\text{mm})$
Weight		2.5kg

6MP IR Mini Dome Network Camera

- 1/2.9" 6Megapixel progressive scan STARVISTM CMOS
- H.265&H.264 triple-stream encoding
- 20fps@6MP(3072x2048), 25/30fps@4MP(2688x1520)
- Smart Detection supported
- WDR(120dB), Day/Night(ICR), 3DNR,AWB,AGC,BLC
- Multiple network monitoring: Web viewer, STORM VMS
- 2.8mm fixed lens (3.6mm optional)
- 1/1 Alarm in/out, 1/1 audio in/out
- Max. IR LEDs Length 30m
- Micro SD memory, IP67, IK10, PoE



Dimensions (mm)



Popular Mounting Solutions



Junction Box
INSX136



Wall
INSX203



Pole
INSX152

NSDO6IRWF

Product Specifications



Camera				
Image Sensor	1/2.9" 6Megapixel progressive scan CMOS			
Effective Pixels	3072(H) x 2048(V)			
RAM/ROM	512MB/32MB			
Scanning System	Progressive			
Electronic Shutter Speed	Auto/Manual, 1/3(4)~1/100000s			
Minimum Illumination	0.04Lux/F1.6(Color,1/3s,30IRE) 0.4Lux/F1.6(Color,1/30s,30IRE) 0Lux/F1.6(IR on)			
S/N Ratio	More than 50dB			
IR Distance	Distance up to 30m (98ft)			
IR On/Off Control	Auto/ Manual			
IR LEDs	18			
Camera Features				
Day/Night	Auto(ICR) / Color / B/W			
Backlight Compensation	BLC / HLC / WDR(120dB)			
White Balance	Auto/Natural/Street Lamp/Outdoor/Manual			
Gain Control	Auto/Manual			
Noise Reduction	3D DNR			
Digital Zoom	16x			
Privacy Masking	Off / On (4 Area, Rectangle)			
Lens				
Lens Type	Fixed			
Mount Type	Board-in			
Focal Length	2.8mm (3.6mm)			
Max. Aperture	F1.6 (F1.6)			
Viewing Angle	H: 98° (69°), V: 67° (48°)			
Focus Control	Fixed			
Pan/Tilt/Rotation	Pan:0°~355°; Tilt:0°~65°; Rotation:0°~355°			
DORI Distance	Detect	Observe	Recognize	Identify
	69m(226ft)	28m(92ft)	14m(46ft)	7m(23ft)
	89m(292ft)	36m(118ft)	18m(59ft)	9m(30ft)
Video				
Compression	H.265+/H.265/H.264+/H.264			
Resolution	(3072x2048)/(3072x1728)/(2592x1944)/(2688x1520)/(2560x1440)/(2304x1296)/1080P(1920x1080)/SXGA(1280x1024)/1.3M(1280x960)/720P(1280x720)/D1(704x576/704x480)/CIF(352x288/352x240)			
Frame Rate	Main Stream: 6MP (1~20fps), 4MP(1~25/30fps)			
	Sub Stream: D1 (1 ~ 25/30fps)			
	Third Stream: 1080P(1~25/30fps)			
Bit Rate	H.264: 24K ~ 10240Kbps H.265: 14K ~ 9984Kbps			
Bit Rate Control	CBR/VBR			
Audio				
Compression	G.711a/ G.711Mu/ AAC/ G.726			

INSDO6IRWF

Product Specifications



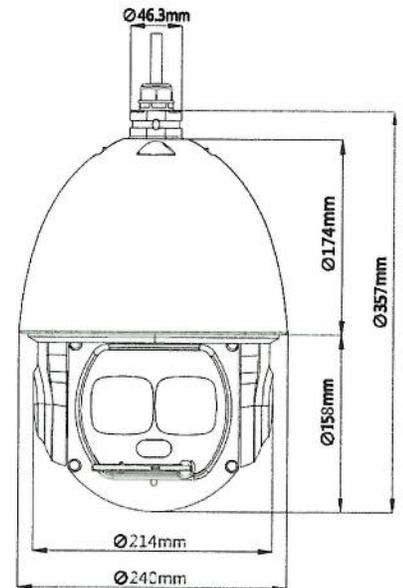
Intelligent Functions	
IVS	Tripwire, Intrusion, Object Abandoned/Missing
Adv. Intelligent Functions	Face Detection
Network	
Ethernet	RJ-45 (10/100Base-T)
Protocol	HTTP; HTTPS; TCP; ARP; RTSP; RTP; UDP; SMTP; FTP; DHCP; DNS; DDNS; PPPOE; IPv4/v6; QoS; UPnP;NTP; Bonjour; 802.1x; Multicast; ICMP; IGMP; SNMP
Compatibility	ONVIF, PSIA, CGI
Edge Storage	NAS Local PC for instant recording Mirco SD card 128GB
Maximum User Access	10 Users/20 Users
Smart Phone	iOS, Android
Interface	
Video Interface	N/A
Audio Interface	1/1 channel In/Out
RS485	N/A
Alarm	1 channel In: 5mA 5VDC 1 channel Out: 300mA 12VDC
General	
Power Supply	DC12V, PoE (802.3af)(Class 0)
Power Consumption	<5.5W
Working Environment	-30° C ~ +60° C (-22° F ~ +140° F) / Less than 95% RH
Ingress Protection	IP67
Vandal Protection	IK10
Dimensions	Φ109.9mm×81mm (4.33"×3.19")

4K OUTDOOR 30X LAZER PTZ CAMERA

- 1/1.7" 12Megapixel STARVIS™ CMOS
- Powerful 30x optical zoom
- H.265 Encoding
- Max. 25/30fps@4K
- Auto tracking and IVS
- Support Hi-PoE
- IR distance up to 500m
- IP67



Dimensions(mm)



Popular Mounting Solutions

Included:



INSX303
Wall Mount



INSX111
Mount Adapter



Power Supply (included)

Optional:



INSX400
Power Box



Ceiling Mount Bracket
INSX300



INSX120
Junction Box



Pole
INSX150



Corner
INSX151



INSXPARA
Parapet Mount

NSDO4KLPTZ30X

Product specifications



Camera	
Image Sensor	1/1.7" STARVIS™ CMOS 8 Megapixels
Effective Pixels	3840(H) x 2160(V)
RAM/ROM	1024MB/128MB
Scanning System	Progressive
Electronic Shutter Speed	1/1s~1/30,000s
Minimum Illumination	Color: 0.05Lux@F1.6; 0Lux (IR on)
S/N Ratio	More than 56dB
IR Distance	Distance up to 500m (1640ft)
Camera Features	
Day/Night	Auto(ICR) / Color / B/W
Backlight Compensation	BLC / HLC / DWDR
White Balance	Auto/Natural/Street Lamp/Outdoor/Manual
Gain Control	Auto/Manual
Noise Reduction	Ultra DNR (2D/3D)
Digital Zoom	16x
Privacy Masking	Up to 24 areas
Lens	
Lens Type	Motorized /Auto Iris(HALL)
Mount Type	Board-in
Focal Length	6mm~180mm
Optical Zoom	30x
Max. Aperture	F1.6 ~ F4.8
Viewing Angle	H: 61.2° ~ 2.1°
Focus Control	Auto/Manual
Close Focus Distance	100mm~ 1000mm
Video	
Compression	H.265+/H.265/H.264+/H.264/MJPEG
Resolution	4K(3840x2160)/1080P(1920x1080)/1.3M(1280x960)/720P(1280x720)/D1(704x576/704x480)/CIF(352x288/352x240)
Frame Rate	Main stream: 4K/1080P/1.3M/720P(1~25/30fps)
	Sub stream1: D1/CIF(1 ~ 25/30fps)
	Sub stream2: 1080P/720P/D1(1 ~ 25/30fps)
Bit Rate	H.265/H.264: 256K ~ 8192Kbps, MJPEG: 56K ~20480Kbps
Audio	
Compression	G.711a/G.711mu/PCM/G.726/AAC/G722.1/G.729/MPEG2-Layer2

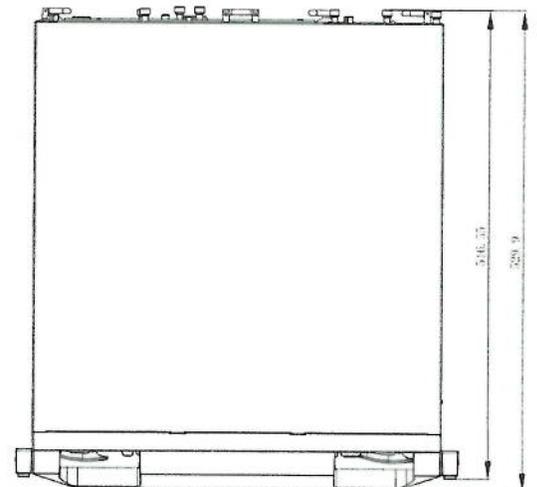
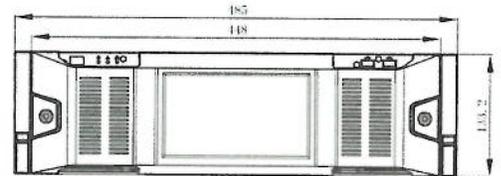
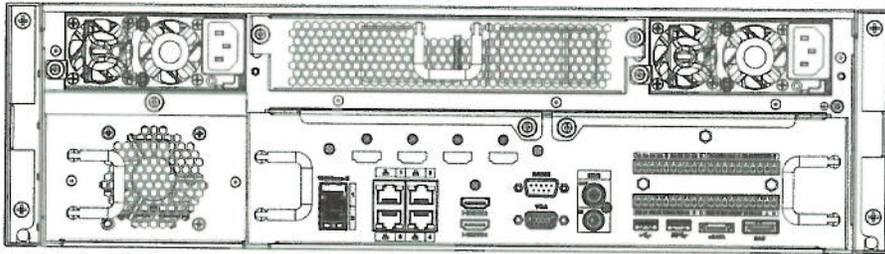
PTZ			
Pan/Tilt Range	Pan: 0° ~ 360° endless; Tilt: -20° ~ 90°, auto flip 180°		
Manual Control Speed	Pan: 0.1° ~ 200° /s; Tilt: 0.1° ~ 120° /s		
Preset Speed	Pan: 240° /s; Tilt: 200° /s		
Presets	300		
PTZ Mode	5 Pattern, 8 Tour, Auto Pan ,Auto Scan		
Speed Setup	Human-oriented focal Length/ speed adaptation		
Power up Action	Auto restore to previous PTZ and lens status after power failure		
Idle Motion	Activate Preset/ Scan/ Tour/ Pattern if there is no command in the specified period		
DORI Distance			
Detect	Observe	Recognize	Identify
3892m(12769ft)	1557m(5108ft)	778m(2552ft)	389m(1276ft)
Intelligent Functions:			
IVS	Tripwire, Intrusion, Object Abandoned/Missing		
Auto Tracking	Support		
Network			
Ethernet	RJ-45 (100Base-TX/1000Base-T)		
Protocol	IPv4/IPv6,HTTP,HTTPS,SSL,TCP/IP, UDP,UPnP, ICMP,IGMP,SNMP,RTSP,RTP, SMTP, NTP,DHCP, DNS,PPPOE,DDNS,FTP, IP Filter,QoS,Bonjour,802.1x		
Compatibility	ONVIF, PSIA, CGI		
Maximum User Access	20 users		
Smart Phone	iOS, Android		
Interface			
Video Interface	1		
Audio Interface	1/1		
RS485	1		
Alarm	7/2		
General			
Power Supply	AC24V/3A(±25%), Hi-PoE		
Power Consumption	24W, 38W (IR on)		
Working Environment	-40°C ~ 70°C (-40°F ~ +158°F) / Less than 90% RH		
Ingress Protection	IP67		
Vandal Protection	IK10		
Dimensions	Φ240(mm) x 357(mm)		

128 CHANNEL 16 BAY 4K NVR

- Intel Processor
- Max 64/128 IP Camera Inputs
- Max 384Mbps Incoming Bandwidth
- Up to 12MP Resolution for Preview and Playback
- Supports RAID 0/1/5/6/10
- iSCSI and Mini SAS for Expanded Storage Space
- Smart Tracking and Intelligent Video
- Redundant Power & 7-inch HD LCD Monitor



System Drawing



NS128164K

Product Specifications



System	
Main Processor	Intel Quad-core Processor
Operating System	Embedded LINUX
Audio and Video	
IP Camera Input	64/128 Channel
Two-way Talk	1 Channel Input, 1 Channel Output, RCA
Display	
Interface	2 HDMI (up to 3840 x 2160 , Different Source), 1 VGA 4 HDMI (Optional)
Resolution	3840 x 2160 , 1920 x 1080 , 1280 x 1024, 1280 x 720 , 1024 x 768
Multi-screen Display	1st Screen: 1/4/8/9/16/25/36 2nd Screen: 1/4/8/9/16
OSD	Camera title, Time, Video loss, Camera lock, Motion detection, Recording
Recording	
Compression	H.265/H.264/MJPEG
Resolution	12MP, 8MP, 6MP, 5MP, 4MP, 3MP, 1080P, 1.3MP, 720P etc.
Record Rate	384Mbps
Bit Rate	16Kbps ~ 20Mbps Per Channel
Record Mode	Manual, Schedule (Regular, MD (Motion Detection), Alarm, IVS), Holiday, Stop
Record Interval	1 ~ 120 min (default: 60 min), Pre-record: 1 ~ 30 sec, Post-record: 10 ~ 300 sec
Video Detection and Alarm	
Trigger Events	Recording, PTZ, Tour, Alarm Out, Video Push, Email, FTP, Snapshot, Buzzer and Screen Tips
Video Detection	Motion Detection, MD Zones: 396 (22 x 18), Video Loss and Tampering
Alarm input	16 Channel, Low Level Effective, Green Terminal Interface
Relay Output	8 Channel, NO/NC Programmable, Green Terminal Interface
Tracking Trigger Event	Zoom, Tracking, Recording, Preset, Snapshot, Alarm, etc.
Playback and Backup	
Playback	128 Mbps in Raid 5 Mode; 64 Mbps in single HDD Mode
Search Mode	Time /Date, Alarm, MD and Exact Search (accurate to second)
Playback Function	Play, Pause, Stop, Rewind, Fast play, Slow Play, Next File, Previous File, Next Camera, Previous Camera, Full Screen, Repeat, Shuffle, Backup Selection, Digital Zoom
Backup Mode	USB Device/Network/eSATA Device
Third-party Support	
Third-party Support	Dahua, Arecont Vision, AXIS, Bosch, Brickcom, Canon, CP Plus, Dynacolor, Honeywell, Panasonic, Pelco, Samsung, Sanyo, Sony, Videotec, Vivotek, and more

INS128164K

Product Specifications



Network	
Interface	4 RJ-45 Ports (10/100/1000Mbps)
Ethernet Port	4 Ethernet Ports Joint Working or 4 Independent 1000Mbps Ethernet Ports
PoE	N/A
Network Function	HTTP, HTTPS, TCP/IP, IPv4/IPv6, UPnP, RTSP, UDP, SMTP, NTP, DHCP, DNS, IP Filter, PPPoE, DDNS, FTP, Alarm Server, IP Search (Support Dahua IP camera, DVR, NVS, etc.)
Optical Fiber Interface	2 Giga Optical Fiber Interface
Max. User Access	128 users
Smart Phone	iPhone, iPad, Android
Interoperability	ONVIF 2.4, CGI Conformant
Storage	
Internal HDD	16 SATA III Ports, Up to 8 TB capacity for each HDD
HDD Mode	Single, Raid 0/1/5/6/10(Enterprise-level HDDs are recommended), Support Global HDD Hot-spare
eSATA	1 eSATA Port (Please contact technical engineer to confirm the compatible device)
SAS	1 Mini SAS Port, for Storage Expansion
Auxiliary Interface	
Front Cover	Support Hot-swap, 7-inch HD LCD (1920 × 1080, 1280 × 1024, 1024 × 768)
USB	4 USB Ports (2 USB 2.0, 2 USB 3.0)
RS232	1 Port, for PC Communication and Keyboard
RS485	1 Port, for PTZ Control
Electrical	
Power Supply	AC100V ~ 240V, 50 ~ 60 Hz, Redundant
Power Consumption	<51W (Without HDD)
Environmental	
Operating Conditions	-10°C ~ +55°C (+14°F ~ +131°F), 86 ~ 106kpa
Storage Conditions	20°C ~ +70°C (-4°F ~ +158°F), 0 ~ 90% RH
Construction	
Dimensions	3U, 485mm x 529.9mm x 133.2mm (19.1" x 20.9"x 5.2")

Returns and Warranty Policy

Document Purpose and Scope

This document sets forth the return and repair policy applicable to the products that are purchased from the authorized distributors of Inaxsys Security Systems (“Inaxsys”). We only accept RMA requests from authorized distributors.

Amending this Policy

Inaxsys reserves the right to either amend or cancel this RMA Policy, in part or its entirety, at any time and with or without notice.

Inaxsys's Responsibility

Inaxsys's sole responsibility hereunder is limited to repairing or replacing any defective products returned by authorized distributors within the US and Canada. For warranty details on Inaxsys products provided by Inaxsys Security Systems, please refer to the following table:

Products	Warranty Terms
<ul style="list-style-type: none">• Storage Devices• HDD• All Other Parts	3 years limited warranty
<ul style="list-style-type: none">• Cameras• Motorized Parts	
<ul style="list-style-type: none">• Video Door Phone Products	
<ul style="list-style-type: none">• Intelligent Traffic Cameras	
<ul style="list-style-type: none">• Lenses	
<ul style="list-style-type: none">• Accessories	
<ul style="list-style-type: none">• Switches	



General Return Requirements and Procedures

RMA Inquiry

Prior to returning your defective product for repairs, an authorized RMA number must be retained. To obtain an authorized RMA number you must contact technical support at support@inaxsys.com or by phone at (514) 648-6648 extension 1.

When sending the defective product to Inaxsys, please make sure the provided RMA number is clearly displayed, either in black or blue ink and in large type, on the outside of the return shipping package. If your shipment requires multiple packages, each package must contain the provided RMA number clearly displayed. Inaxsys may refuse any package that does not have an RMA number, which Inaxsys will return on freight collect.

Expiration

All RMA numbers will expire ninety (90) calendar days from the date they were issued. This means that Inaxsys must receive the defective product within ninety (90) calendar days from the date the RMA number was issued. If the RMA number has expired, any defective products returned after the expiration date will not be valid and a new RMA number needs to be issued. Inaxsys may refuse any products returned with an expired RMA number.

Warranty term starting dates

The warranty period for any products start on the date that the distributor ships and invoices the product to the dealer/end users.

90-day return for credit policy

Inaxsys has a 90-day Return Policy for all defective items sold. This 90-day Return Policy shall start upon the date Inaxsys's Product is sold to the dealer or end user. Under this 90-day Return Policy, the dealer or end-user must return the defective product back to the Distributor, within 90 days from the date of purchase, to either receive a credit or an automatic replacement. Dealer or end-user returns that fall outside of this 90-day period will not be eligible for credit or an automatic replacement.

Products that are found to be Dead on Arrival ("DOA"), which are products that are either: (1) not in good working order right out of the box; or (2) found to be defective within 90 days from the date of purchase, will also fall within Inaxsys's 90-day Return Policy. Products deemed to be DOA are ultimately determined by, and verified through, Inaxsys's RMA department. If a returned product is found not to be DOA, then that product shall not be eligible for this Return for Credit Policy.



Any Product that has been painted over, tampered with, had labels removed, or any other modifications will be void of all warranties. These products may still be repaired subject to applicable repair fees.

Over the Counter Exchange Program

Inaxsys has an Over the Counter Exchange Program which holds a one (1) year warranty policy for the replacement of products. This one year shall start from the date of purchase of products from either the dealer or end user. Under this program, the dealer or end-user must send, or return, the defective product back to the Distributor. Then the Distributor shall verify that the product returned qualifies for this Program. Once the Distributor has verified the product's eligibility, the Distributor may offer a replacement if a replacement product is readily available.

If a replacement product is readily available, Distributor may exchange the defective product with a replacement product. Once the exchange is completed, Distributor will be required to submit an RMA request with Inaxsys within 30 calendar days from the date of exchange and follow the procedures as listed above. Replacement orders from Distributor shall be subject to verification and approval by Inaxsys.

If a replacement product is not readily available, Distributor will need to submit a new purchase order with Inaxsys for the replacement product. Under this purchase order, Distributor shall specify whether or not Distributor would like for **Inaxsys to deliver the replacement product either directly to the (1) dealer or end user; or (2) Distributor**. Distributors must still submit an RMA request with Inaxsys and return the defective product back to Inaxsys. Defective products must be returned to Inaxsys within 30 days from the date the purchase order is placed in order to offset Distributor's previous purchase order. If the defective product is not returned within 30 days then Distributor's previous purchase order shall be treated as a separate, normal purchase order.

In the unlikely event of product failure within the first year of ownership, Inaxsys will make its best effort to ship any replacement products of equivalent performance and specifications. Replacement products may be either: (1) a new product; or (2) a refurbished product. An RMA request is always mandatory for the return of any defective products.

Repair for "in-warranty" and "not in-warranty" products

For products still under warranty, Distributor must fill out, and submit, the RMA form with all the required information to assist Inaxsys's RMA department with diagnosing and repairing any defective products. Only defective products that go through this RMA process will be accepted by Inaxsys's RMA department for repairs. Defective products that do not follow this RMA process may be rejected by Inaxsys's RMA department.

For products no longer under warranty, Distributor must still fill out, and submit, the RMA form with all the required information. Defective products that do not go through Inaxsys's RMA process may

be rejected by Inaxsys's RMA department. An "Estimation of Charges" will be sent to Distributor for the repairs to the defective products not under warranty. This Estimation of Charges shall be reviewed and signed by the Distributor for Inaxsys prior to commencing any repair services. Inaxsys will not attempt to repair any defective products so long as the Estimation of Charges is unsigned. If an item is deemed to be "irreparable", the customer will be given the options to either: (1) having the product returned, (2) having the product discarded; and/or (3) purchasing a new unit as a replacement. All repair work will be guaranteed for 6 months from the date the repair service is invoice.

Shipping Costs

Distributors are responsible for all the costs of shipping for returning the defective products to Inaxsys's RMA centres. If the product is still warranted, Inaxsys will repair or replace the product and ship it back to the distributor at its expense. If the product is no longer warranted, the shipping and repair fees will be completely assumed by the customer.

Limitations

Improper packaging: Returned products shipped to Inaxsys's RMA centres must be properly packaged in order to prevent unintended damage during transportation. RMA returns with improper packaging cannot be accepted. Please refer to the RMA Packaging Requirements and diagrams at the end of this document.

Unfortunately, Inaxsys is unable to accept any products that have been altered. Alterations will void any warranties the products may have, or had. Examples of alterations may include:

- Counterfeit Inaxsys Product Label(s).
- Products with any of the labels missing.
- Jumpers, wires, or any other mechanical/electronic parts are added to the product.
- Any part or component is removed from the original product.
- PCBA/Lens/Housing/Other Parts are disassembled then assembled incorrectly.
- Any attempt to repair or alter a product outside of an Inaxsys RMA Centre.
- Labels have been switched:
- Genuine Inaxsys labels on non-Inaxsys products.
- Genuine Inaxsys label(s) on different Inaxsys product(s).
- Labels exhibit tampering.
- Label missing standard printing such as FCC, UL or Serial Number or Model Name.
- Serial number on a product does not match with the packaging for such product.
- Any other change in original state of the product.



Any physical, or accidental, damage to a product will void any warranties the products may have, or had. Examples of physical, or accidental, damage may include:

- Broken pins on connectors
- Blown power board due to applying wrong voltage and/or current
- Connector(s) are damaged, cracked, missing or broken
- Damaged components on the circuit boards
- Dented product case / housing
- Torn or punctured lens cover, case and/or any other parts
- Deep scratch on the Product
- Loose, damaged, or missing screws
- Missing circuit board(s)
- Obscured fan/heater parts (if applicable)
- Stripped mounting hole threads

Other Terms and Conditions

Inaxsys reserves its rights to examine and test any returned products to determine the actual cause of damage and/or defect on the returned products.

All parts and accessories must be returned in their original packaging in order to receive a replacement.

If the malfunction of a part is determined to be due to a Customer Induced Defect or Damage ("CID") including but not limited to an attempted repair, unauthorized repairs, accident, misuse, abuse, neglect, improper maintenance, installation and connection, malfunction of a peripheral device(s), rust or deterioration caused by improper storage, an invoice for extra service fees for repair charges, shipping costs, and other applicable expenses will be issued.

If the malfunction of a product is determined to be due to CID after a replacement product has already been shipped, an invoice for the replacement product will be issued.

If Customer disagrees with Inaxsys's decision of CID, the dispute will be submitted for customer complaint process.

Inaxsys may choose to amend this RMA Policy, in part or its entirety, at any time, with, or without, notice.

STATE OF WEST VIRGINIA
Purchasing Division

PURCHASING AFFIDAVIT

MANDATE: Under W. Va. Code §5A-3-10a, no contract or renewal of any contract may be awarded by the state or any of its political subdivisions to any vendor or prospective vendor when the vendor or prospective vendor or a related party to the vendor or prospective vendor is a debtor and: (1) the debt owed is an amount greater than one thousand dollars in the aggregate; or (2) the debtor is in employer default.

EXCEPTION: The prohibition listed above does not apply where a vendor has contested any tax administered pursuant to chapter eleven of the W. Va. Code, workers' compensation premium, permit fee or environmental fee or assessment and the matter has not become final or where the vendor has entered into a payment plan or agreement and the vendor is not in default of any of the provisions of such plan or agreement.

DEFINITIONS:

"Debt" means any assessment, premium, penalty, fine, tax or other amount of money owed to the state or any of its political subdivisions because of a judgment, fine, permit violation, license assessment, defaulted workers' compensation premium, penalty or other assessment presently delinquent or due and required to be paid to the state or any of its political subdivisions, including any interest or additional penalties accrued thereon.

"Employer default" means having an outstanding balance or liability to the old fund or to the uninsured employers' fund or being in policy default, as defined in W. Va. Code § 23-2c-2, failure to maintain mandatory workers' compensation coverage, or failure to fully meet its obligations as a workers' compensation self-insured employer. An employer is not in employer default if it has entered into a repayment agreement with the Insurance Commissioner and remains in compliance with the obligations under the repayment agreement.

"Related party" means a party, whether an individual, corporation, partnership, association, limited liability company or any other form or business association or other entity whatsoever, related to any vendor by blood, marriage, ownership or contract through which the party has a relationship of ownership or other interest with the vendor so that the party will actually or by effect receive or control a portion of the benefit, profit or other consideration from performance of a vendor contract with the party receiving an amount that meets or exceed five percent of the total contract amount.

AFFIRMATION: By signing this form, the vendor's authorized signer affirms and acknowledges under penalty of law for false swearing (W. Va. Code §61-5-3) that neither vendor nor any related party owe a debt as defined above and that neither vendor nor any related party are in employer default as defined above, unless the debt or employer default is permitted under the exception above.

WITNESS THE FOLLOWING SIGNATURE:

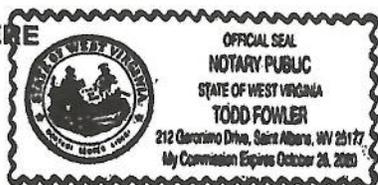
Vendor's Name: Pomeroy IT Solution
Authorized Signature: [Signature] Date: 08-28-17

State of West Virginia
County of Kanawha, to-wit:

Taken, subscribed, and sworn to before me this 28th day of August, 2017.

My Commission expires October 26, 2020.

AFFIX SEAL HERE



NOTARY PUBLIC [Signature]

DESIGNATED CONTACT: Vendor appoints the individual identified in this Section as the Contract Administrator and the initial point of contact for matters relating to this Contract.

James Stewart - TSE
(Name, Title)
James Stewart - TSE
(Printed Name and Title)
500 West Moreland Office Park
(Address)
681-245-6025 / 800-650-1703
(Phone Number) / (Fax Number)
james.stewart@pomeroy.com
(E-mail address)

CERTIFICATION AND SIGNATURE: By signing below, or submitting documentation through wvOASIS, I certify that I have reviewed this Solicitation in its entirety; that I understand the requirements, terms and conditions, and other information contained herein; that this bid, offer or proposal constitutes an offer to the State that cannot be unilaterally withdrawn; that the product or service proposed meets the mandatory requirements contained in the Solicitation for that product or service, unless otherwise stated herein; that the Vendor accepts the terms and conditions contained in the Solicitation, unless otherwise stated herein; that I am submitting this bid, offer or proposal for review and consideration; that I am authorized by the vendor to execute and submit this bid, offer, or proposal, or any documents related thereto on vendor's behalf; that I am authorized to bind the vendor in a contractual relationship; and that to the best of my knowledge, the vendor has properly registered with any State agency that may require registration.

Pomeroy IT Solutions
(Company)
James Stewart - TSE
(Authorized Signature) (Representative Name, Title)
James Stewart - TSE
(Printed Name and Title of Authorized Representative)
08-28-17
(Date)
681-245-6025 / 800-650-1703
(Phone Number) (Fax Number)

Bid Bond

CONTRACTOR:

(Name, legal status and address)

Pomeroy IT Solutions Sales Company, Inc.
1020 Petersburg Road
Hebron, KY 41048

SURETY:

(Name, legal status and principal place of business)

Fidelity & Deposit Company of Maryland
1200 Zurich Way
Schaumburg, IL 60196

OWNER:

(Name, legal status and address)

State of West Virginia
1001 Lee Street East, Ste 1
Charleston, WV 25301

This document has important legal consequences. Consultation with an attorney is encouraged with respect to its completion or modification. Any singular reference to Contractor, Surety, Owner or other party shall be considered plural where applicable.

BOND AMOUNT: Five Percent of total amount of bid (5%)-----

PROJECT:

WV Tax Division of Revenue Center/New security cameras being installed in interior & exterior of building

The Contractor and Surety are bound to the Owner in the amount set forth above, for the payment of which the Contractor and Surety bind themselves, their heirs, executors, administrators, successors and assigns, jointly and severally, as provided herein. The conditions of this Bond are such that if the Owner accepts the bid of the Contractor within the time specified in the bid documents, or within such time period as may be agreed to by the Owner and Contractor, and the Contractor either (1) enters into a contract with the Owner in accordance with the terms of such bid, and gives such bond or bonds as may be specified in the bidding or Contract Documents, with a surety admitted in the jurisdiction of the Project and otherwise acceptable to the Owner, for the faithful performance of such Contract and for the prompt payment of labor and material furnished in the prosecution thereof; or (2) pays to the Owner the difference, not to exceed the amount of this Bond, between the amount specified in said bid and such larger amount for which the Owner may in good faith contract with another party to perform the work covered by said bid, then this obligation shall be null and void, otherwise to remain in full force and effect. The Surety hereby waives any notice of an agreement between the Owner and Contractor to extend the time in which the Owner may accept the bid. Waiver of notice by the Surety shall not apply to any extension exceeding sixty (60) days in the aggregate beyond the time for acceptance of bids specified in the bid documents, and the Owner and Contractor shall obtain the Surety's consent for an extension beyond sixty (60) days.

If this Bond is issued in connection with a subcontractor's bid to a Contractor, the term Contractor in this Bond shall be deemed to be Subcontractor and the term Owner shall be deemed to be Contractor.

When this Bond has been furnished to comply with a statutory or other legal requirement in the location of the Project, any provision in this Bond conflicting with said statutory or legal requirement shall be deemed deleted herefrom and provisions conforming to such statutory or other legal requirement shall be deemed incorporated herein. When so furnished, the intent is that this Bond shall be construed as a statutory bond and not as a common law bond.

Signed and sealed this 23rd day of August 2017 Pomeroy IT Solutions Sales Company, Inc.

[Signature]
(Witness)

[Signature]
(Principal) _____ *(Seal)*

[Signature]
(Title)

[Signature]
(Witness) Valerie King

[Signature]
(Surety) _____ *(Seal)*

Joseph M. Worrall/Attorney in fact
(Title)



By arrangement with the American Institute of Architects, the National Association of Surety Bond Producers (NASBP) (www.nasbp.org) makes this form document available to its members, affiliates, and associates in Microsoft Word format for use in the regular course of surety business. NASBP vouches that the original text of this document conforms exactly to the text in AIA Document A310-2010, Bid Bond. Subsequent modifications may be made to the original text of this document by users, so careful review of its wording and consultation with an attorney are encouraged before its completion, execution or acceptance.

**ZURICH AMERICAN INSURANCE COMPANY
COLONIAL AMERICAN CASUALTY AND SURETY COMPANY
FIDELITY AND DEPOSIT COMPANY OF MARYLAND
POWER OF ATTORNEY**

KNOW ALL MEN BY THESE PRESENTS: That the ZURICH AMERICAN INSURANCE COMPANY, a corporation of the State of New York, the COLONIAL AMERICAN CASUALTY AND SURETY COMPANY, a corporation of the State of Maryland, and the FIDELITY AND DEPOSIT COMPANY OF MARYLAND a corporation of the State of Maryland (herein collectively called the "Companies"), by MICHAEL BOND, Vice President, in pursuance of authority granted by Article V, Section 8, of the By-Laws of said Companies, which are set forth on the reverse side hereof and are hereby certified to be in full force and effect on the date hereof, do hereby nominate, constitute, and appoint Jennifer GERHARDT, Candice J. VOGEL, Joseph WORRALL and Debra K. POLLINO, all of Cincinnati, Ohio, EACH its true and lawful agent and Attorney-in-Fact, to make, execute, seal and deliver, for, and on its behalf as surety, and as its act and deed; any and all bonds and undertakings, and the execution of such bonds or undertakings in pursuance of these presents, shall be as binding upon said Companies, as fully and amply, to all intents and purposes, as if they had been duly executed and acknowledged by the regularly elected officers of the ZURICH AMERICAN INSURANCE COMPANY at its office in New York, New York., the regularly elected officers of the COLONIAL AMERICAN CASUALTY AND SURETY COMPANY at its office in Owings Mills, Maryland., and the regularly elected officers of the FIDELITY AND DEPOSIT COMPANY OF MARYLAND at its office in Owings Mills, Maryland., in their own proper persons.

The said Vice President does hereby certify that the extract set forth on the reverse side hereof is a true copy of Article V, Section 8, of the By-Laws of said Companies, and is now in force.

IN WITNESS WHEREOF, the said Vice-President has hereunto subscribed his/her names and affixed the Corporate Seals of the said ZURICH AMERICAN INSURANCE COMPANY, COLONIAL AMERICAN CASUALTY AND SURETY COMPANY, and FIDELITY AND DEPOSIT COMPANY OF MARYLAND, this 30th day of November, A.D. 2016.

ATTEST:

**ZURICH AMERICAN INSURANCE COMPANY
COLONIAL AMERICAN CASUALTY AND SURETY COMPANY
FIDELITY AND DEPOSIT COMPANY OF MARYLAND**



By: Eric D. Barnes
Secretary
Eric D. Barnes

Michael Bond
Vice President
Michael Bond

State of Maryland
County of Baltimore

On this 30th day of November, A.D. 2016, before the subscriber, a Notary Public of the State of Maryland, duly commissioned and qualified, MICHAEL BOND, Vice President, and ERIC D. BARNES, Secretary, of the Companies, to me personally known to be the individuals and officers described in and who executed the preceding instrument, and acknowledged the execution of same, and being by me duly sworn, deposeth and saith, that he/she is the said officer of the Company aforesaid, and that the seals affixed to the preceding instrument are the Corporate Seals of said Companies, and that the said Corporate Seals and the signature as such officer were duly affixed and subscribed to the said instrument by the authority and direction of the said Corporations

IN TESTIMONY WHEREOF, I have hereunto set my hand and affixed my Official Seal the day and year first above written.

Maria D. Adamski



Maria D. Adamski, Notary Public
My Commission Expires: July 8, 2019

EXTRACT FROM BY-LAWS OF THE COMPANIES

"Article V, Section 8, Attorneys-in-Fact The Chief Executive Officer, the President, or any Executive Vice President or Vice President may, by written instrument under the attested corporate seal, appoint attorneys-in-fact with authority to execute bonds, policies, recognizances, stipulations, undertakings, or other like instruments on behalf of the Company, and may authorize any officer or any such attorney-in-fact to affix the corporate seal thereto; and may with or without cause modify or revoke any such appointment or authority at any time "

CERTIFICATE

I, the undersigned, Vice President of the ZURICH AMERICAN INSURANCE COMPANY, the COLONIAL AMERICAN CASUALTY AND SURETY COMPANY, and the FIDELITY AND DEPOSIT COMPANY OF MARYLAND, do hereby certify that the foregoing Power of Attorney is still in full force and effect on the date of this certificate; and I do further certify that Article V, Section 8, of the By-Laws of the Companies is still in force.

This Power of Attorney and Certificate may be signed by facsimile under and by authority of the following resolution of the Board of Directors of the ZURICH AMERICAN INSURANCE COMPANY at a meeting duly called and held on the 15th day of December 1998.

RESOLVED: "That the signature of the President or a Vice President and the attesting signature of a Secretary or an Assistant Secretary and the Seal of the Company may be affixed by facsimile on any Power of Attorney...Any such Power or any certificate thereof bearing such facsimile signature and seal shall be valid and binding on the Company."

This Power of Attorney and Certificate may be signed by facsimile under and by authority of the following resolution of the Board of Directors of the COLONIAL AMERICAN CASUALTY AND SURETY COMPANY at a meeting duly called and held on the 5th day of May, 1994, and the following resolution of the Board of Directors of the FIDELITY AND DEPOSIT COMPANY OF MARYLAND at a meeting duly called and held on the 10th day of May, 1990.

RESOLVED: "That the facsimile or mechanically reproduced seal of the company and facsimile or mechanically reproduced signature of any Vice-President, Secretary, or Assistant Secretary of the Company, whether made heretofore or hereafter, wherever appearing upon a certified copy of any power of attorney issued by the Company, shall be valid and binding upon the Company with the same force and effect as though manually affixed.

IN TESTIMONY WHEREOF, I have hereunto subscribed my name and affixed the corporate seals of the said Companies, this 23rd day of August, 2017

23rd August 17



Gerald F. Haley

Gerald F. Haley, Vice President

TO REPORT A CLAIM WITH REGARD TO A SURETY BOND, PLEASE SUBMIT ALL REQUIRED INFORMATION TO:

Zurich American Insurance Co.
Attn: Surety Claims
1299 Zurich Way
Schaumburg, IL 60196-1056



State of West Virginia
DRUG FREE WORKPLACE CONFORMANCE AFFIDAVIT
West Virginia Code §21-1D-5

STATE OF WEST VIRGINIA,
COUNTY OF Kanawha, TO-WIT:

I, James Stewart, after being first duly sworn, depose and state as follows:

- 1. I am an employee of Pomeray IT Solutions; and,
(Company Name)
- 2. I do hereby attest that Pomeray IT Solutions
(Company Name)

maintains a written plan for a drug-free workplace policy and that such plan and policy are in compliance with **West Virginia Code §21-1D**.

The above statements are sworn to under the penalty of perjury.

Printed Name: James Stewart
 Signature: [Handwritten Signature]
 Title: TSE
 Company Name: Pomeray IT Solutions
 Date: 08-28-17

Taken, subscribed and sworn to before me this 28th day of August, 2017.

By Commission expires Aug 29, 2021

(Seal)  Judith A. Snodgrass
 (Notary Public)

THIS AFFIDAVIT MUST BE SUBMITTED WITH THE BID IN ORDER TO COMPLY WITH WV CODE PROVISIONS. FAILURE TO INCLUDE THE AFFIDAVIT WITH THE BID SHALL RESULT IN DISQUALIFICATION OF THE BID.