



Purchasing Division
 2019 Washington Street East
 Post Office Box 50130
 Charleston, WV 25305-0130

State of West Virginia
 Request for Quotation
 04 - Audio/Video

Proc Folder: 363518

Doc Description: Addendum No. 1 - Security Camera System

Proc Type: Central Purchase Order

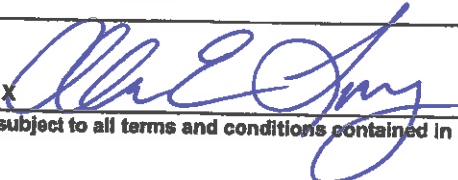
Date Issued	Solicitation Closes	Solicitation No	Version
2017-08-17	2017-08-31 13:30:00	CRFQ 0702 TAX1800000003	2

BID RECEIVING LOCATION
 BID CLERK
 DEPARTMENT OF ADMINISTRATION
 PURCHASING DIVISION
 2019 WASHINGTON ST E
 CHARLESTON WV 25305
 US

VENDOR
 Vendor Name, Address and Telephone Number:
 Longs Security Camera Systems LLC
 102 38th ST SE
 Charleston WV 25304

08/31/17 13:04:30
 WV Purchasing Division

FOR INFORMATION CONTACT THE BUYER
 Michelle L Childers
 (304) 558-2063
 michelle.l.childers@wv.gov

Signature X  FEIN # 20-3881880 DATE 8/31/2017
 All offers subject to all terms and conditions contained in this solicitation

ADDITIONAL INFORMATION:

Addendum

Addendum No. 1 issued to publish and distribute the attached information to the vendor community.

Request for Quotation

The West Virginia State Purchasing Division is soliciting bids, on behalf of the Tax Division of the West Virginia Department of Revenue, to establish a one-time construction contract for the purchase of a Security Camera System(s) including installation, testing, employee training and three years of full warranty coverage, including time and materials.

INVOICE TO:		SHIP TO:	
OPERATIONS DIVISION TAX DIVISION OF PO BOX 11748 CHARLESTON US	WV25339-1748	OPERATIONS DIVISION TAX DIVISION OF REVENUE CENTER 1001 LEE ST E, STE 1 CHARLESTON US	WV 25301-1725

Line	Comm Ln Desc	Qty	Unit Issue	Unit Price	Total Price
1	13.1.1 Hikvision Model DS-2CD2122FWD-IS(B) or Equal	16.00000	EA		

Comm Code	Manufacturer	Specification	Model #
46171610			

Extended Description :
 Interior Security Camera

INVOICE TO:		SHIP TO:	
OPERATIONS DIVISION TAX DIVISION OF PO BOX 11748 CHARLESTON US	WV25339-1748	OPERATIONS DIVISION TAX DIVISION OF REVENUE CENTER 1001 LEE ST E, STE 1 CHARLESTON US	WV 25301-1725

Line	Comm Ln Desc	Qty	Unit Issue	Unit Price	Total Price
2	13.1.2 Hikvision Model DS-2CD2152F-IS or Equal	9.00000	EA		

Comm Code	Manufacturer	Specification	Model #
46171610			

Extended Description :
 Exterior Security Camera
 Sides of Building

INVOICE TO		SHIP TO	
OPERATIONS DIVISION TAX DIVISION OF PO BOX 11748		OPERATIONS DIVISION TAX DIVISION OF REVENUE CENTER 1001 LEE ST E, STE 1	
CHARLESTON	WV25339-1748	CHARLESTON	WV 25301-1725
US		US	

Line	Comm Ln Desc	Qty	Unit Issue	Unit Price	Total Price
3	13.1.3 Hikvision DS-2DF8836IV-AEL or Equal	2.00000	EA		

Comm Code	Manufacturer	Specification	Model #
46171610			

Extended Description :
Exterior Security Camera
Rear Side of the Building

INVOICE TO		SHIP TO	
OPERATIONS DIVISION TAX DIVISION OF PO BOX 11748		OPERATIONS DIVISION TAX DIVISION OF REVENUE CENTER 1001 LEE ST E, STE 1	
CHARLESTON	WV25339-1748	CHARLESTON	WV 25301-1725
US		US	

Line	Comm Ln Desc	Qty	Unit Issue	Unit Price	Total Price
4	13.1.4 Hikvision DS-2DF6236V-AEL or Equal	2.00000	LS		

Comm Code	Manufacturer	Specification	Model #
46171610			

Extended Description :
Exterior Camera
Upper Rear Side of the Building

INVOICE TO		SHIP TO	
OPERATIONS DIVISION TAX DIVISION OF PO BOX 11748		OPERATIONS DIVISION TAX DIVISION OF REVENUE CENTER 1001 LEE ST E, STE 1	
CHARLESTON	WV25339-1748	CHARLESTON	WV 25301-1725
US		US	

Line	Comm Ln Desc	Qty	Unit Issue	Unit Price	Total Price
5	13.1.5 Hikvision DS-96128NI-I24/H or Equal	1.00000	LS		

Comm Code	Manufacturer	Specification	Model #
46171610			

Extended Description :
Network Video Recorder

INVOICE TO		SHIP TO	
OPERATIONS DIVISION TAX DIVISION OF PO BOX 11748 CHARLESTON US	WV25339-1748	OPERATIONS DIVISION TAX DIVISION OF REVENUE CENTER 1001 LEE ST E, STE 1 CHARLESTON US	WV 25301-1725

Line	Comm Ln Desc	Qty	Unit Issue	Unit Price	Total Price
6	13.1.7 Miscellaneous Parts for CCTV System	0.00000			

Comm Code	Manufacturer	Specification	Model #
46171610			

Extended Description :
13.1.7 Miscellaneous Parts for CCTV System

INVOICE TO		SHIP TO	
OPERATIONS DIVISION TAX DIVISION OF PO BOX 11748 CHARLESTON US	WV25339-1748	OPERATIONS DIVISION TAX DIVISION OF REVENUE CENTER 1001 LEE ST E, STE 1 CHARLESTON US	WV 25301-1725

Line	Comm Ln Desc	Qty	Unit Issue	Unit Price	Total Price
7	13.1.8. Labor and Hardware Installation:	0.00000			

Comm Code	Manufacturer	Specification	Model #
46171610			

Extended Description :
13.1.8. Labor and Hardware Installation:

INVOICE TO:		SHIP TO:	
OPERATIONS DIVISION TAX DIVISION OF PO BOX 11748		OPERATIONS DIVISION TAX DIVISION OF REVENUE CENTER 1001 LEE ST E, STE 1	
CHARLESTON	WV25339-1748	CHARLESTON	WV 25301-1725
US		US	

Line	Comm Ln Desc	Qty	Unit Issue	Unit Price	Total Price
8	13.1.9 Acceptance and Training:	0.00000			

Comm Code	Manufacturer	Specification	Model #
46171610			

Extended Description :
13.1.9 Acceptance and Training:

INVOICE TO:		SHIP TO:	
OPERATIONS DIVISION TAX DIVISION OF PO BOX 11748		OPERATIONS DIVISION TAX DIVISION OF REVENUE CENTER 1001 LEE ST E, STE 1	
CHARLESTON	WV25339-1748	CHARLESTON	WV 25301-1725
US		US	

Line	Comm Ln Desc	Qty	Unit Issue	Unit Price	Total Price
9	3-Year Warranty	0.00000			

Comm Code	Manufacturer	Specification	Model #
46171610			

Extended Description :
3-Year Warranty

**Exhibit A
Security Camera System**

Item	Part Number	*Manufacturer & Model Number	Unit of Measure	Unit Cost	Qty	Extended Cost
13.1.1	DS-2CD2122FWD-ISB-2.8mm Fixed Lens or Equal / Interior of Building	Hikvision DS-2CD2122FWD-ISB 2.8m	EA	\$ 173.00	16	\$ 2,768.00
13.1.2	DS-2CD2152F or Equal / Upper Sides of Building	Hikvision	EA	\$ 235.00	9	\$ 2115.00
13.1.3	DS-2DF8836IV-AEL or Equal / Lower Rear Side of the Building	Hikvision	EA	\$ 4005.00	2	\$ 8010.00
13.1.4	DS-2DF6236-AEL or Equal / Upper Rear Side of the Building	Hikvision	EA	\$ 2,033.00	2	\$ 4066.00
13.1.5	DS-96128NI-I24/H or Equal / Network Video Recorder (NVR)	Hikvision	EA	\$ 8,817.64	1	\$ 8017.64
13.1.7	Miscellaneous Parts for CCTV System	Beng 32" 4K Monitor w Bus 28" 4K Monitor Hikvision Wall Mounts	Lump Sum	\$ 2299.80	1	\$ 2299.80
13.1.8	Labor and Hardware Installation	Sub Rental Labor CAT5E CABLE Labor	Lump Sum	\$ 8419.00	1	\$ 8419.00
13.1.9	Acceptance and Training	Lang's Security Camera Systems	Lump Sum	\$ 0 -	1	\$ 0 -
13.1.10	3-Year Warranty	Lang's Security Camera Systems	Lump Sum	\$ 0 -	1	\$ 0 -
Total Bid Amount						\$ 35,696.29

* When bidding an "or Equal", vendor must provide Manufacturer Specification sheet with bid.

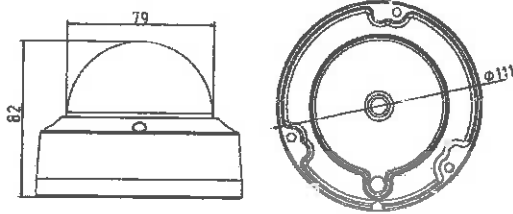
DS-2CD2122FWD-ISB 2 MP WDR Fixed Dome Network Camera



Key Features

- Black finish version of the DS-2CD2122FWD-IS
- Up to 2 Megapixel High Resolution
- Full HD1080p Video
- Dual Video Streams
- 2.8 mm, 4 mm, 6 mm Fixed Lens Options
- 120 dB Wide Dynamic Range
- 3D Digital Noise Reduction
- Smart Features
- PoE (802.3af)
- 100 ft (30 m) IR Range
- IP67 and IK10 Protection
- Audio/Alarm Input / Output
- Edge Storage, MicroSD Slot, 128 GB

Dimensions



DS-2CD2122FWD-ISB	
Camera	
Image Sensor	1/2.8" progressive scan CMOS
Minimum Illumination	Color: 0.028 @ f/2.0, AGC on B/W: 0 lux with IR
Shutter Speed	1/3 s to 1/10,000 s
Lens	2.8 mm, 4 mm, 6 mm options
Angle of View	106° (2.8 mm), 85° (4 mm), 52° (6 mm)
Lens Mount	M12
Day/Night	IR cut filter with auto switch
Digital Noise Reduction	3D DNR
Wide Dynamic Range	120 dB
Pan/Tilt/Rotation	0° to 355°/0° to 75°/0° to 355°
Compression Standard	
Video Compression	H.264+/H.264/MJPEG
H.264 Type	Main profile
Video Bit Rate	32 Kbps to 16 Mbps
Dual Streams	Yes
Audio	G.711/G.722.1/G.726/MP2L2, 64 Kbps (G.711)/16 Kbps (G.722.1)/16 Kbps (G.726)/32 to 128 Kbps (MP2L2)
Image	
Maximum Resolution	1920 × 1080
Frame Rate	30 fps 1920 × 1080, 1280 × 960, 1280 × 720
Image Settings	Compression, color, saturation, brightness, contrast, sharpness, rotate mode, privacy mask
Backlight Compensation	Yes, zone configured
Region of Interest (ROI)	Yes
Analytics	
Smart Features	Line crossing detection, intrusion detection
Network	
Network Storage	NAS (supports NFS, SMB/CIFS), ANR
Alarm Triggers	Motion detection, line crossing detection, intrusion detection, tamper alarm, network disconnect, IP address conflict, storage exception
Protocols	TCP/IP, UDP, ICMP, HTTP, HTTPS, FTP, DHCP, DNS, DDNS, RTP, RTSP, RTCP, PPPoE, NTP, UPnP, SMTP, SNMP, IGMP, 802.1X, QoS, IPv6, Bonjour
Security	Three level user authentication, password authorization, HTTPS and SSH certificate, IEEE802.1X, basic and digest authentication, watermark, IP address filtering, log-in lockout
Standards	ONVIF (PROFILE S, PROFILE G), PSIA, CGI, ISAPI
Interface	
Communication	1 RJ-45 10M/100M Ethernet port
On-Board Storage	Built-in microSD/SDHC/SDXC slot, up to 128 GB
Alarm Interface	1 x alarm I/O
Audio Interface	1 x audio I/O
General	
Operating Conditions	-30° C to 60° C (-22° F to 140° F), humidity 95% or less (non-condensing)
Power	12 VDC ±10%, PoE (802.3af)
Power Consumption	Maximum 5 W, maximum 9 W with pan and tilt
IR Range	Approximately 100 ft (30 m)
Ingress Protection	IP67
Impact Protection	IK10
Dimensions	Φ111 mm × 82 mm (4.4" × 3.2")
Weight	500 g (1.1 lbs)

Accessories

AB110 Angled Base	WM110 Wall Mount + Pendant Cap	WMS + PC110 Wall Mount + Pendant Cap	CB110 Conduit Base	SRSM Sun/Rain Shield

Order Model

DS-2CD2122FWD-ISB

DS-2CD2152F-IS 5 MP Network Dome Camera

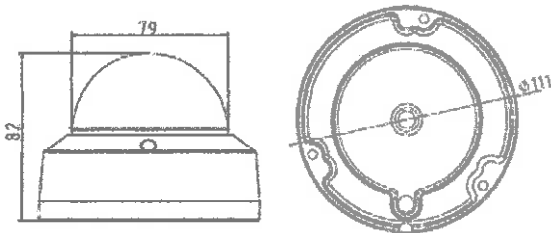
- Up to 5 MP Resolution
- Full 1080p @ 30 fps
- 4 mm / 6 mm Fixed Lens Options
- H.264+, H.264, MJPEG
- 120 dB Wide Dynamic Range
- 3D Digital Noise Reduction
- 3-axis adjustment
- Up to 100 ft (30 m) IR Range
- MicroSD card slot supports up to 128 GB
- Audio and Alarm Inputs and Outputs
- IP67 and IK10 Protection
- 12 VDC and PoE (802.3af)



Hikvision's DS-2CD2152F-IS 5 MP Network Dome Camera is a versatile solution for all of your security needs. It features a powerful 5 MP lens that captures images with a resolution of 2560 × 1920 at up to 30 fps. The Network Dome Camera provides IP67 and IK10 protection, and is equipped with security-enhancing audio and alarm support.

Available models:
DS-2CD2152F-IS

Dimensions



DS-2CD2152F-IS	
Camera	
Image Sensor	1/3" Progressive Scan CMOS
Minimum Illumination	0.028 Lux @ (F2.0, AGC ON), 0 Lux with IR
Shutter Speed	1/3 s to 1/100,000 s
Lens	4 mm, 6 mm @ F2.0
Lens Mount	M12
Day and Night	IR cut filter with auto switch
DNR	3D DNR
Wide Dynamic Range	DWDR
Pan and Tilt rotation	Pan: 0° to 355°, Tilt: 0° to 75°, Rotation: 0 to 355°
Compression Standard	
Video Compression	H.264 / MJPEG / H.264+
H.264 Type	Main Profile
Video Bit Rate	256 Kbps to 16 Mbps
Dual streams	Supported
Image	
Maximum Resolution	2560 x 1920
Maximum Frame Rate	20 fps (2560 x 1920), 30 fps (2048 x 1536, 1920 x 1080, 1280 x 720)
Sub Stream	30 fps (352 x 240, 640 x 480)
Others	Saturation, brightness, contrast adjustable by client software or web browser, Mirror, BLC, ROI, dual stream, anti-flicker, privacy mask
Network	
Network Storage	NAS (Support NFS, SMB / CIFS), ANR
Detection	Motion detection, tampering alarm, intrusion detection, line crossing detection
Alarm Trigger	HDD full, HDD error, network disconnected, IP address conflicted, illegal login
Protocols	TCP/IP, UDP, ICMP, HTTP, HTTPS, FTP, DHCP, DNS, DDNS, RTP, RTSP, RTCP, PPPoE, NTP, UPnP, SMTP, SNMP, IGMP, 802.1X, QoS, IPv6, Bonjour
General Function	One-key reset, anti-flicker, heartbeat, mirror, password protection, privacy mask, watermark, IP address filtering, anonymous access
Standard	ONVIF (Profile S, Profile G), PSIA, CGI, ISAPI
Interface	
Communication Interface	1 RJ45 10M/100M Ethernet port
On-board storage	Built-in microSD/SDHC/SDXC slot, up to 128 GB
Alarm interface	1x alarm I/O;
Audio interface	1x audio I/O;
Reset	Yes
General	
Operating Conditions	-22° F to 140° F (-30° C to 60° C), Humidity 95% or less (non-condensing)
Power Supply	12 VDC ± 25%, PoE (802.3af)
Power Consumption	Maximum 5 W
IR Range	100 ft (30 m)
Protection Level	IP67, IK10
Dimensions	Φ 4.4" x 3.2" (111 mm x 82 mm)
Weight	1.1 lbs (500 g)

Accessories

					
Angled base AB110	Wall mount WM110	Pendant cap PC110	Conduit base CB110	Sun and rain shield SRS	Sun and rain shield medium SRSM

WM110

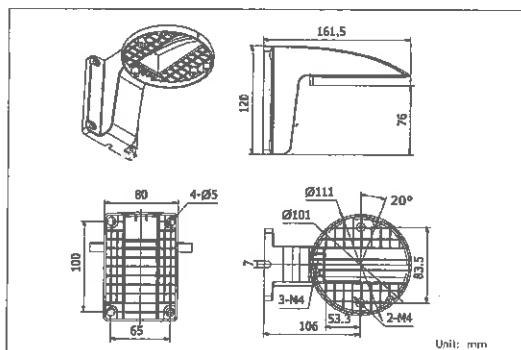
Wall mount for indoor cameras



Features:

- Good toughness and strength
- Beautiful design with wire outlet hole
- Coordination with small and nice appearance

Dimension:



Order model:

WM110

Parameters

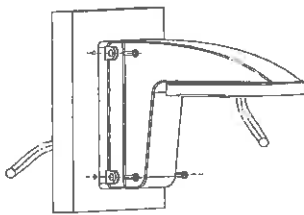
Model	WM110
Parameters	Indoor wall mount
Color	Hik white
Feature	Suitable for mini dome or dome camera
Material	ABS+PC
Dimension	111×120×161.5mm
Weight	200g

Notice:

- Pay attention to the application range when select bracket
- Pay attention to the color matching when select bracket
- The bracket should be installed on flat wall
- The wall must be capable of supporting more than 3 times the total load of the camera and the mount.
- The maximum load capacity of the mount is 2.0KG

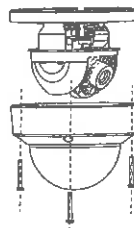
Installation steps:

- ① Select suitable wall to install the bracket and wire.

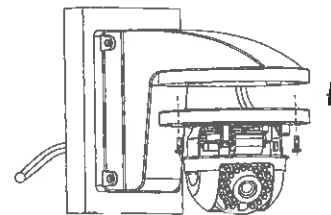


Notice: "A" stands for the lock screw

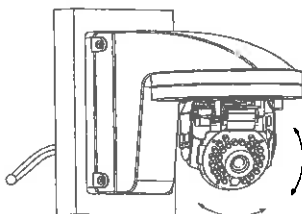
- ⑥ Loosen the tightening screw and take down the housing.



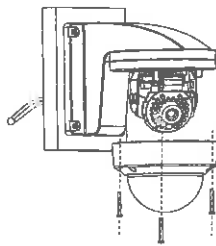
- ⑥ Install the dome core to the gang box, wire and lock the screw.



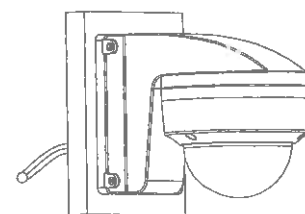
- ② Adjust the angle through the 3-axis adjustment structure.



- ⑥ Install the housing and lock the screws.



- ⑦ Finish the installation.



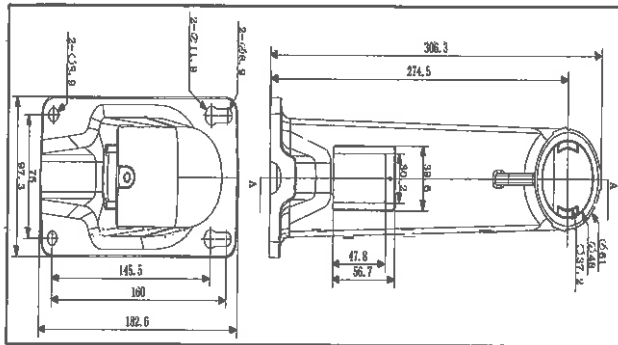
Remark: Appearance of installation steps is for reference only



Features:

- Aluminum alloy material with surface spray treatment
- General design for indoor/outdoor
- Better water proof design
- With safety rope, the assembling is safer and more convenient

Dimension:



Note: The actual bracket may vary from the picture above.

Order model:

WMP-L

Parameters:

Model	WMP-L
Parameter	Wall Mount Bracket In/Outdoor
Color	Hik white
Feature	Suitable for speed dome pendent mounting
Material	Aluminum alloy
Dimension	97X182X305mm
Weight	1050g

Notice:

- The bracket should be installed on the flat surface of a wall
- The wall must be capable of supporting more than 3 times the total capacity of the camera and the bracket.

DS-2DF6236-AEL 2 MP Ultra-Low Light Smart PTZ Camera



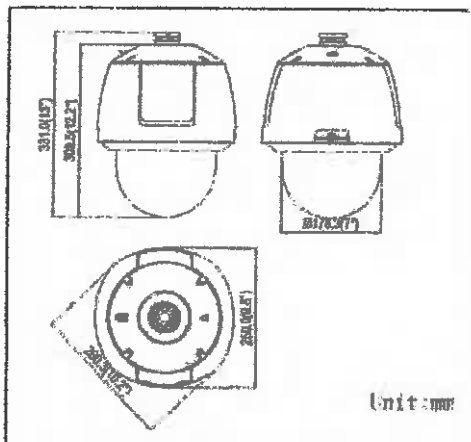
DARKFIGHTER



Key Features

- 1/1.9" HD CMOS Sensor
- Optical Defog
- 2 MP (1920 x 1080) Full HD
- 36x Optical Zoom
- Ultra-Low Illumination
- 120 dB True WDR
- Smart Tracking
- Smart Detection
- EIS (Electronic Image Stabilization)
- Hi-PoE/24 VAC Power (PoE Power Injector Included)

Dimensions



DS-2DF6236-AEL	
Camera Module	
Image Sensor	1/1.9" progressive scan CMOS
Minimum Illumination	f/1.5, AGC on: color: 0.002 lux, B/W: 0.0002 lux
Max. Image Resolution	1920 x 1080
Focal Length	5.7 mm to 205.2 mm, 36x
Digital Zoom	16x
Zoom Speed	Approximately 3.3 s (optical wide to tele)
Angle of View	58.7° to 2.0° (wide to tele)
Min. Working Distance	10 mm to 1500 mm (wide to tele)
Aperture Range	f/1.5 to f/3.4
Focus Mode	Auto/semiautomatic/manual
WDR	120 dB
S/N Ratio	≥55 dB
Shutter Speed	1 s to 1/30,000 s
AGC	Auto/manual
White Balance	Auto/manual/ATW/indoor/outdoor/daylight lamp/sodium lamp
Day/Night	IR cut filter
Privacy Mask	24 privacy masks programmable; optional multiple colors and mosaics
Optical Defog	Yes
Enhancement	3D DNR, EIS, HLC/BLC, SVC
Pan and Tilt	
Range	Pan: 360° endless; tilt: -15° to 90° (auto flip)
Speed	Pan manual speed: 0.1° to 300°/s, pan preset speed: 540°/s, tilt manual speed: 0.1° to 240°/s, tilt preset speed: 400°/s
Number of Presets	300
Patrols	8 patrols, up to 32 presets per patrol
Patterns	4 patterns, with the recording time not more than 10 minutes per pattern
Park Actions	Preset/patrol/pattern/auto scan/tilt scan/random scan/frame scan/panorama scan
Scheduled Tasks	Preset/patrol/pattern/auto scan/tilt scan/random scan/frame scan/panorama scan/dome reboot/dome adjust/aux output
Smart Features	
Smart Tracking	Manual/panorama/intrusion trigger/line crossing trigger/region entrance trigger/region exiting trigger
Smart Detection	Intrusion detection, line crossing detection, audio exception detection, region entrance, region exiting
ROI Encoding	Supports 24 areas with adjustable levels
Alarm	
Alarm I/O	7/2
Alarm Trigger	Intrusion detection, line crossing detection, region entrance, region exiting, motion detection, audio exception detection, dynamic analysis, tampering alarm, network disconnect, IP address conflict, storage exception
Alarm Action	Preset, patrol, pattern, microSD/SDHC card recording, relay output, notification on client, send e-mail, upload to FTP, trigger channel
Input/Output	
Monitor Output	1.0 V(p-p)/75 Ω, NTSC composite, BNC
Audio Input	1 mic in/line in interface, line input: 2 to 2.4 V(p-p); output impedance: 1 K Ω, ±10%
Audio Output	1 audio output interface, line level, impedance: 600 Ω
Network	
Ethernet	10Base-T/100Base-TX, RJ-45 connector
Main Stream	30 fps (1920 x 1080, 1280 x 960, 1280 x 720)
Sub Stream	30 fps (704 x 480, 352 x 240, 176 x 120)
Third Stream	30 fps (1920 x 1080, 1280 x 960, 1280 x 720, 704 x 480, 352 x 240, 176 x 120)
Image Compression	H.264/MJPEG/MPEG4, H.264 encoding with Baseline/Main/High profile
Audio Compression	G.711ulaw/G.711alaw/G.728/MP2L2/G.722/PCM
Protocols	IPv4/IPv6, HTTP, HTTPS, 802.1X, QoS, FTP, SMTP, UPnP, SNMP, DNS, DDNS, NTP, RTSP, RTP, TCP, UDP, IGMP, ICMP, DHCP, PPPoE
Simultaneous Live Views	Up to 20 users
MicroSD Memory Card	Supports up to 128 GB microSD/SDHC/SDXC card, supports Edge recording
User/Host Level	Up to 32 users, 3 levels: administrator, operator, and user
Security Measures	User authentication (ID and PW); host authentication (MAC address); IP address filtering
System Integration	
Application Programming	Open-ended API, supports ONVIF, PSIA, CGI, and ISAPI
Web Browser	IE 7+, Chrome 18+, Firefox 5.0+, Safari 5.02+, supports multi-language
RS-485 Protocols	HIKVISION, Pelco-P, Pelco-D, self-adaptive
Power	Hi-PoE and 24 VAC, maximum 60 W
Working Temperature	-40° C to 65° C (-40° F to 149° F)
Humidity	90% or less
Protection Level	IP67, IK10, TVS 4,000 V lightning protection, surge protection and voltage transient protection
Certifications	FCC, CE, UL, RoHS, IEC/EN 61000, IEC/EN 55022, IEC/EN 55024, IEC/EN60950-1
Dimensions	Φ178.3 mm x 331.0 mm (Φ7.02" x 13.03")
Weight (approximate)	~8 kg (~17.64 lbs)

Accessories

WMP-L, Wall Mount
DS-1661ZJ, Pendant Mount

DS-1602ZJ-Pole, Pole Mount
DS-1005KI, USB Joystick
DS-1602ZJ-Corner, Corner Mount
CPM-S, Ceiling Pendant Mount

DS-1602ZJ-Box, Box Mount
CPM-L, Ceiling Pendant Mount

WMP-L

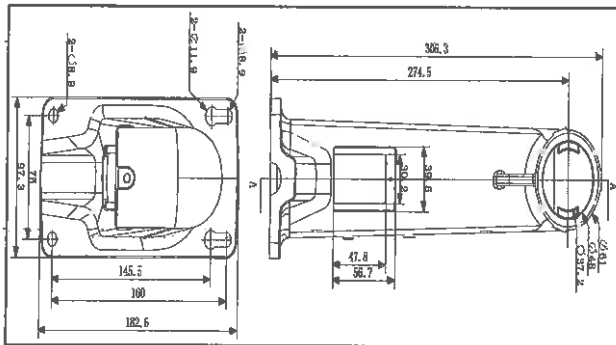
Wall Mount Bracket Indoor/Outdoor



Features:

- Aluminum alloy material with surface spray treatment
- General design for indoor/outdoor
- Better water proof design
- With safety rope, the assembling is safer and more convenient

Dimension:



Note: The actual bracket may vary from the picture above.

Order model:

WMP-L

Parameters:

Model	WMP-L
Parameter	Wall Mount Bracket In/Outdoor
Color	Hik white
Feature	Suitable for speed dome pendent mounting
Material	Aluminum alloy
Dimension	97X182X305mm
Weight	1050g

Notice:

- The bracket should be installed on the flat surface of a wall
- The wall must be capable of supporting more than 3 times the total capacity of the camera and the bracket.

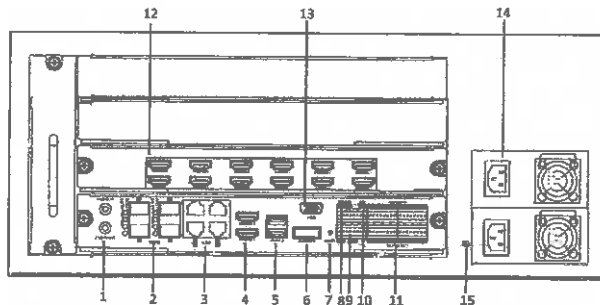
DS-96000NI-F24/H Series Network Video Recorder (NVR)



Key Features

- Connect Up to 128/256 IP Cameras, Linux OS
- Up to 8 Megapixels Resolution
- Simultaneous HDMI1/VGA Output
- Video Outputs up to 1920 × 1080 Resolution
- Up to 44 Channels at 1080p Resolution
- 12 HDMI Outputs for Video Wall
- Up to 24 SATA Hard Disks
- Redundant Power Supply
- ANR Technology
- HDD Hot Swap with RAID 0, RAID 1, RAID 5, RAID 10
- Configurable To N+1 Hot Spare System
- 4 Self-Adaptive 10M/100M/1000M Network and 4 1000M Optical Fiber Interfaces
- Smart Search and Playback
- HDD Quota and Group Modes

Landmarks



Index	Name
1	RCA connector for audio output and output
2	4 Fiber Optic Interfaces
3	4 LAN network interfaces
4	2 HDMI video output connectors
5	USB 3.0 interfaces
6	miniSAS interface (optional)
7	Reset the device.
8	RS-485 Interface
9	RS-232 Interface
10	Controller Port
11	ALARM IN and ALARM OUT
12	HDMI Output Extension Board
13	VGA Interface
14	100 to 240 VAC Power Input (Dual Power Supplies)
15	GNP

Order Models

DS-96128NI-F24/H

DS-96256NI-F24/H

DS-96128NI-F24/H		DS-96256NI-F24/H	
Video/Audio Input			
IP Video Input	128-ch	256-ch	
Two-Way Audio	Up to 8 MP resolution 1-ch, RCA (2.0 Vp-p, 1 k Ω)		
Network			
Incoming Bandwidth	400 Mbps	640 Mbps, or 400 Mbps (when RAID is enabled)	
Outgoing Bandwidth	400 Mbps	400 Mbps	
Remote Connection	256		
Video/Audio Output			
Recording Resolution	8 MP/6 MP/5 MP/3 MP/1080p/UXGA/720p/VGA/4CIF/DCIF/2CIF/CIF/QCIF		
HDMI1/VGA Output Resolution	1-ch, 1920 × 1080p, 1600 × 1200, 1280 × 1024, 1280 × 720, 1024 × 768		
HDMI2 Output	1-ch, 1920 × 1080p, 1600 × 1200, 1280 × 1024, 1280 × 720, 1024 × 768		
HDMI Outputs (On HDMI Output Extension Board)	12-ch, 1920 × 1080p, 1600 × 1200, 1280 × 1024, 1280 × 720, 1024 × 768		
LCD Screen	Yes		
Audio Output	1-ch, RCA (2.0 Vp-p, 1 k Ω)		
Decoding			
Live View/Playback Resolution	8 MP/6 MP/5 MP/3MP/1080p/UXGA/720p/VGA/4CIF/DCIF/2CIF/CIF/QCIF		
Synchronous Playback Capability	16-ch 44-ch @ 1080p		
Hard Disk			
SATA	24 SATA interfaces for 24 HDDs		
MiniSAS (Optional)	1 miniSAS interface		
Capacity	Up to 6 TB capacity for each HDD		
Disk Array			
Array Type	RAID 0, RAID 1, RAID 5, RAID 10		
Number of Arrays	24		
External Interface			
Network Interface	4, RJ-45 10/100/1000 Mbps self-adaptive Ethernet interface		
Optic Fiber Interface	4, 1000 Mbps optic fiber interface		
Serial Interface	RS-232; RS-485; keyboard		
USB Interface	Front panel: 1 × USB 2.0; rear panel: 2 × USB 3.0		
Alarm In/Out	16/8		
General			
Power Supply	100 to 240 VAC, 50 to 60 Hz		
Max. Power Consumption	600 W		
Consumption (w/o Hard Disk)	≤ 100 W		
Working Temperature	-10° C to +55° C (14° F to 131° F)		
Working Humidity	10% to 90%		
Chassis	19-inch rack-mounted 4U chassis		
Dimensions (W × D × H)	447 mm × 528 mm × 172 mm (17.6" × 20.8" × 6.8")		
Weight (w/o Hard Disk)	≤ 28.1 kg (61.9 lbs)		

NOTE: To calculate the incoming bandwidth and the connected IP cameras:

$$A = B/(C+D)$$

A = Number of IP cameras that can be connected
 B = Incoming bandwidth
 C = Connected IP cameras' main stream bitrate value
 D = Connected IP cameras' sub-stream bitrate value

EXAMPLE: DS-96128NI-F24 NVR incoming bandwidth is 400 Mbps. The IP camera to connect has a resolution of 720p (1280 × 720)/25 (30) fps. Bitrates for the IP cameras' main stream and sub-stream are set at 4 Mbps and 1 Mbps respectively. In this example, B = 400 Mbps, C = 4 Mbps, D = 1 Mbps, and A = B/(C+D) = 400/(4+1) = 80. So, the number of IP cameras that can be connected is 80.

Western Digital WD60PURX

Model			
Brand	WD		
Model	Series		Purple WD60PURX
	Packaging		Bare Drive
Interface	SATA 6.0Gb/s	Performance	
RPM	Capacity		6TB 5400 RPM
	Cache		64MB
Features	<p>Features</p> <p>WD Purple surveillance storage is built for 24/7 always-on surveillance in high-definition security systems that use up to eight hard drives and up to 32 cameras. Exclusive AllFrame technology works with ATA streaming to reduce error pixilation and video interruptions that occur when desktop hard drives are incorrectly used as storage in security systems.</p> <p>Desktop drives vs.surveillance-class storage Surveillance storage for peace-of-mind Improve performance with AllFrame Engineered for compatibility Optimized performance for up to 32 HD cameras Lower power consumption For Video Surveillance</p>		
Usage	<p>Dimensions</p> <p>3.5"</p>		
Form Factor	Height (maximum)		26.10mm
Width (maximum)	Length (maximum)		101.60mm
		Group	147.00mm
PACKAGE	Style	N/A	
		Plug Standards	N/A
Electrical Outlet Plug Type	Plug Type "A" (USA, Canada, Mexico, Japan)		

BID BOND

KNOW ALL MEN BY THESE PRESENTS, That we, the undersigned, Long's Security Camera System LLC
of Charleston, WV, as Principal, and Western Surety Company
of Chicago, IL, a corporation organized and existing under the laws of the State of
SD with its principal office in the City of Chicago, as Surety, are held and firmly bound unto the State
of West Virginia, as Obligee, in the penal sum of Five Percent of Amount Bid (\$ 5%) for the payment of which,
well and truly to be made, we jointly and severally bind ourselves, our heirs, administrators, executors, successors and assigns.

The Condition of the above obligation is such that whereas the Principal has submitted to the Purchasing Section of the
Department of Administration a certain bid or proposal, attached hereto and made a part hereof, to enter into a contract in writing for
Security Camera System for the Tax Division 1001 Lee Street East, Suite 1, Charleston, WV 25301

NOW THEREFORE,

- (a) If said bid shall be rejected, or
- (b) If said bid shall be accepted and the Principal shall enter into a contract in accordance with the bid or proposal
attached hereto and shall furnish any other bonds and insurance required by the bid or proposal, and shall in all other respects perform
the agreement created by the acceptance of said bid, then this obligation shall be null and void, otherwise this obligation shall remain in
full force and effect. It is expressly understood and agreed that the liability of the Surety for any and all claims hereunder shall, in no
event, exceed the penal amount of this obligation as herein stated.

The Surety, for the value received, hereby stipulates and agrees that the obligations of said Surety and its bond shall be in no
way impaired or affected by any extension of the time within which the Obligee may accept such bid, and said Surety does hereby
waive notice of any such extension.

WITNESS, the following signatures and seals of Principal and Surety, executed and sealed by a proper officer of Principal and
Surety, or by Principal individually if Principal is an individual, this 29th day of August, 2017.

Principal Seal

Long's Security Camera System LLC
(Name of Principal)
By [Signature]
(Must be President, Vice President, or
Duly Authorized Agent)
Owner
(Title)

Surety Seal

Western Surety Company
(Name of Surety)
By: [Signature]
Kimberly L. Miles, Licensed WV Resident Agent Attorney-in-Fact

IMPORTANT – Surety executing bonds must be licensed in West Virginia to transact surety insurance, must affix its seal, and must attach a power of attorney with its seal affixed.

Western Surety Company

POWER OF ATTORNEY APPOINTING INDIVIDUAL ATTORNEY-IN-FACT

Know All Men By These Presents, That WESTERN SURETY COMPANY, a South Dakota corporation, is a duly organized and existing corporation having its principal office in the City of Sioux Falls, and State of South Dakota, and that it does by virtue of the signature and seal herein affixed hereby make, constitute and appoint

Andrew K Teeter, Kimberly L Miles, Douglas P Taylor, Kimberly S Burdette, Jaime L Carpenter, Individually

of Charleston, WV, its true and lawful Attorney(s)-in-Fact with full power and authority hereby conferred to sign, seal and execute for and on its behalf bonds, undertakings and other obligatory instruments of similar nature

- In Unlimited Amounts -

and to bind it thereby as fully and to the same extent as if such instruments were signed by a duly authorized officer of the corporation and all the acts of said Attorney, pursuant to the authority hereby given, are hereby ratified and confirmed.

This Power of Attorney is made and executed pursuant to and by authority of the By-Law printed on the reverse hereof, duly adopted, as indicated, by the shareholders of the corporation.

In Witness Whereof, WESTERN SURETY COMPANY has caused these presents to be signed by its Vice President and its corporate seal to be hereto affixed on this 5th day of April, 2016.



WESTERN SURETY COMPANY

Paul T. Bruflat, Vice President

State of South Dakota }
County of Minnehaha } ss

On this 5th day of April, 2016, before me personally came Paul T. Bruflat, to me known, who, being by me duly sworn, did depose and say: that he resides in the City of Sioux Falls, State of South Dakota; that he is the Vice President of WESTERN SURETY COMPANY described in and which executed the above instrument; that he knows the seal of said corporation; that the seal affixed to the said instrument is such corporate seal; that it was so affixed pursuant to authority given by the Board of Directors of said corporation and that he signed his name thereto pursuant to like authority, and acknowledges same to be the act and deed of said corporation.

My commission expires
June 23, 2021



J. Mohr, Notary Public

CERTIFICATE

I, L. Nelson, Assistant Secretary of WESTERN SURETY COMPANY do hereby certify that the Power of Attorney hereinabove set forth is still in force, and further certify that the By-Law of the corporation printed on the reverse hereof is still in force. In testimony whereof I have hereunto subscribed my name and affixed the seal of the said corporation this 29th day of August, 2017.



WESTERN SURETY COMPANY

L. Nelson, Assistant Secretary

CERTIFICATE OF LIABILITY INSURANCE

DATE (MM/DD/YYYY) 8/30/2017

THIS CERTIFICATE IS ISSUED AS A MATTER OF INFORMATION ONLY AND CONFERS NO RIGHTS UPON THE CERTIFICATE HOLDER. THIS CERTIFICATE DOES NOT AFFIRMATIVELY OR NEGATIVELY AMEND, EXTEND OR ALTER THE COVERAGE AFFORDED BY THE POLICIES BELOW. THIS CERTIFICATE OF INSURANCE DOES NOT CONSTITUTE A CONTRACT BETWEEN THE ISSUING INSURER(S), AUTHORIZED REPRESENTATIVE OR PRODUCER, AND THE CERTIFICATE HOLDER.

IMPORTANT: If the certificate holder is an ADDITIONAL INSURED, the policy(ies) must be endorsed. If SUBROGATION IS WAIVED, subject to the terms and conditions of the policy, certain policies may require an endorsement. A statement on this certificate does not confer rights to the certificate holder in lieu of such endorsement(s).

PRODUCER: USI Ins Svcs Sm C/L Bluefield, 745 S. College Ave, Bluefield, VA 24605, 276 979-1799. CONTACT NAME: Lisa Johnston, PHONE: 757-785-5324, FAX: 610-537-9685, E-MAIL: lisa.johnston@usi.com. INSURER(S) AFFORDING COVERAGE: Maxum Indemnity Company, NAIC #: 26743.

COVERAGES CERTIFICATE NUMBER: REVISION NUMBER:

THIS IS TO CERTIFY THAT THE POLICIES OF INSURANCE LISTED BELOW HAVE BEEN ISSUED TO THE INSURED NAMED ABOVE FOR THE POLICY PERIOD INDICATED. NOTWITHSTANDING ANY REQUIREMENT, TERM OR CONDITION OF ANY CONTRACT OR OTHER DOCUMENT WITH RESPECT TO WHICH THIS CERTIFICATE MAY BE ISSUED OR MAY PERTAIN, THE INSURANCE AFFORDED BY THE POLICIES DESCRIBED HEREIN IS SUBJECT TO ALL THE TERMS, EXCLUSIONS AND CONDITIONS OF SUCH POLICIES. LIMITS SHOWN MAY HAVE BEEN REDUCED BY PAID CLAIMS.

Table with columns: INSR LTR, TYPE OF INSURANCE, ADDL INSR, SUBR INSR, POLICY NUMBER, POLICY EFF (MM/DD/YYYY), POLICY EXP (MM/DD/YYYY), LIMITS. Includes Commercial General Liability (BDG005077604) and Automobile Liability.

DESCRIPTION OF OPERATIONS / LOCATIONS / VEHICLES (ACORD 101, Additional Remarks Schedule, may be attached if more space is required)

CERTIFICATE HOLDER CANCELLATION

Operations Divisions, Tax Division of Revenue Center, 1001 Lee St E Ste. 1, Charleston, WV 25301

SHOULD ANY OF THE ABOVE DESCRIBED POLICIES BE CANCELLED BEFORE THE EXPIRATION DATE THEREOF, NOTICE WILL BE DELIVERED IN ACCORDANCE WITH THE POLICY PROVISIONS. AUTHORIZED REPRESENTATIVE: Shannon Snyder G6

ADDENDUM ACKNOWLEDGEMENT FORM
SOLICITATION NO.: TAX190000003

Instructions: Please acknowledge receipt of all addenda issued with this solicitation by completing this addendum acknowledgment form. Check the box next to each addendum received and sign below. Failure to acknowledge addenda may result in bid disqualification.

Acknowledgment: I hereby acknowledge receipt of the following addenda and have made the necessary revisions to my proposal, plans and/or specification, etc.

Addendum Numbers Received:

(Check the box next to each addendum received)

- | | |
|--|--|
| <input checked="" type="checkbox"/> Addendum No. 1 | <input type="checkbox"/> Addendum No. 6 |
| <input type="checkbox"/> Addendum No. 2 | <input type="checkbox"/> Addendum No. 7 |
| <input type="checkbox"/> Addendum No. 3 | <input type="checkbox"/> Addendum No. 8 |
| <input type="checkbox"/> Addendum No. 4 | <input type="checkbox"/> Addendum No. 9 |
| <input type="checkbox"/> Addendum No. 5 | <input type="checkbox"/> Addendum No. 10 |

I understand that failure to confirm the receipt of addenda may be cause for rejection of this bid. I further understand that any verbal representation made or assumed to be made during any oral discussion held between Vendor's representatives and any state personnel is not binding. Only the information issued in writing and added to the specifications by an official addendum is binding.

Longs Security Camera Systems LLC
Company

Alan E. Long
Authorized Signature

8/31/2017
Date

NOTE: This addendum acknowledgement should be submitted with the bid to expedite document processing.

Revised 6/8/2012

ADDITIONAL TERMS AND CONDITIONS (Construction Contracts Only)

1. CONTRACTOR'S LICENSE: West Virginia Code § 21-11-2 requires that all persons desiring to perform contracting work in this state be licensed. The West Virginia Contractors Licensing Board is empowered to issue the contractor's license. Applications for a contractor's license may be made by contacting the West Virginia Division of Labor. West Virginia Code § 21-11-11 requires any prospective Vendor to include the contractor's license number on its bid. If an apparent low bidder fails to submit a license number in accordance with this section, the Purchasing Division will promptly request by telephone and electronic mail that the low bidder and the second low bidder provide the license number within one business day of the request. Failure of the bidder to provide the license number within one business day of receiving the request shall result in disqualification of the bid. Vendors should include a contractor's license number in the space provided below.

Contractor's Name: Loggs Security Camera Systems LLC
Contractor's License No.: WV- WV040102

The apparent successful Vendor must furnish a copy of its contractor's license prior to the issuance of a contract award document.

2. DRUG-FREE WORKPLACE AFFIDAVIT: W. Va. Code § 21-1D-5 provides that any solicitation for a public improvement contract requires each Vendor that submits a bid for the work to submit an affidavit that the Vendor has a written plan for a drug-free workplace policy. If the affidavit is not submitted with the bid submission, the Purchasing Division shall promptly request by telephone and electronic mail that the low bidder and second low bidder provide the affidavit within one business day of the request. Failure to submit the affidavit within one business day of receiving the request shall result in disqualification of the bid. To comply with this law, Vendor should complete the enclosed drug-free workplace affidavit and submit the same with its bid. Failure to submit the signed and notarized drugfree workplace affidavit or a similar affidavit that fully complies with the requirements of the applicable code, within one business day of being requested to do so shall result in disqualification of Vendor's bid. Pursuant to W. Va. Code 21-1D-2(b) and (k), this provision does not apply to public improvement contracts the value of which is \$100,000 or less or temporary or emergency repairs.

2.1. DRUG-FREE WORKPLACE POLICY: Pursuant to W. Va. Code § 21-1D-4, Vendor and its subcontractors must implement and maintain a written drug-free workplace policy that complies with said article. The awarding public authority shall cancel this contract if: (1) Vendor fails to implement and maintain a written drug-free workplace policy described in the preceding paragraph, (2) Vendor fails to provide information regarding implementation of its drug-free workplace policy at the request of the public authority; or (3) Vendor provides to the public authority false information regarding the contractor's drug-free workplace policy.

Pursuant to W. Va. Code 21-1D-2(b) and (k), this provision does not apply to public improvement contracts the value of which is \$100,000 or less or temporary or emergency repairs.

Subcontractor List Submission (Construction Contracts Only)

Bidder's Name: Long's Security Camera Systems LLC

Check this box if no subcontractors will perform more than \$25,000.00 of work to complete the project.

Subcontractor Name	License Number if Required by W. Va. Code § 21-11-1 et. seq.
N/A	
A	
DEL	

Attach additional pages if necessary

DESIGNATED CONTACT: Vendor appoints the individual identified in this Section as the Contract Administrator and the initial point of contact for matters relating to this Contract.

Alan E Long / Owner
(Name, Title)
Alan E Long / Owner
(Printed Name and Title)
102 38th ST SE, Charleston WV 25304
(Address)
304-925-0338
(Phone Number) / (Fax Number)
longscctv@suddenlink.net
(email address)

CERTIFICATION AND SIGNATURE: By signing below, or submitting documentation through wvOASIS, I certify that I have reviewed this Solicitation in its entirety; that I understand the requirements, terms and conditions, and other information contained herein; that this bid, offer or proposal constitutes an offer to the State that cannot be unilaterally withdrawn; that the product or service proposed meets the mandatory requirements contained in the Solicitation for that product or service, unless otherwise stated herein; that the Vendor accepts the terms and conditions contained in the Solicitation, unless otherwise stated herein; that I am submitting this bid, offer or proposal for review and consideration; that I am authorized by the vendor to execute and submit this bid, offer, or proposal, or any documents related thereto on vendor's behalf; that I am authorized to bind the vendor in a contractual relationship; and that to the best of my knowledge, the vendor has properly registered with any State agency that may require registration.

Long's Security Camera Systems LLC
(Company)
Alan E Long / Owner
(Authorized Signature) (Representative Name, Title)
Alan E Long / Owner
(Printed Name and Title of Authorized Representative)
8/31/2017
(Date)
304-925-0338 / 304-925-0338
(Phone Number) (Fax Number)

**REQUEST FOR QUOTATION
SECURITY CAMERA SYSTEM**

- 11.1 Vendor must identify principal service personnel which will be issued access cards and/or keys to perform service.
- 11.2 Vendor will be responsible for controlling cards and keys and will pay replacement fee, if the cards or keys become lost or stolen.
- 11.3 Vendor shall notify Agency immediately of any lost, stolen, or missing card or key.
- 11.4 Anyone performing under this Contract will be subject to Agency's security protocol and procedures.
- 11.5 Vendor shall inform all staff of Agency's security protocol and procedures.

12. MISCELLANEOUS:

- 12.1 **Contract Manager:** During its performance of this Contract, Vendor must designate and maintain a primary contract manager responsible for overseeing Vendor's responsibilities under this Contract. The Contract manager must be available during normal business hours to address any customer service or other issues related to this Contract. Vendor should list its Contract manager and his or her contact information below.

Contract Manager: ALAN E LONG

Telephone Number: 304-925-0338

Fax Number: 304-925-0338

Email Address: longscctv@suddenlink.net

STATE OF WEST VIRGINIA
Purchasing Division

PURCHASING AFFIDAVIT

MANDATE: Under W. Va. Code §5A-3-10a, no contract or renewal of any contract may be awarded by the state or any of its political subdivisions to any vendor or prospective vendor when the vendor or prospective vendor or a related party to the vendor or prospective vendor is a debtor and: (1) the debt owed is an amount greater than one thousand dollars in the aggregate; or (2) the debtor is in employer default.

EXCEPTION: The prohibition listed above does not apply where a vendor has contested any tax administered pursuant to chapter eleven of the W. Va. Code, workers' compensation premium, permit fee or environmental fee or assessment and the matter has not become final or where the vendor has entered into a payment plan or agreement and the vendor is not in default of any of the provisions of such plan or agreement.

DEFINITIONS:

"Debt" means any assessment, premium, penalty, fine, tax or other amount of money owed to the state or any of its political subdivisions because of a judgment, fine, permit violation, license assessment, defaulted workers' compensation premium, penalty or other assessment presently delinquent or due and required to be paid to the state or any of its political subdivisions, including any interest or additional penalties accrued thereon.

"Employer default" means having an outstanding balance or liability to the old fund or to the uninsured employers' fund or being in policy default, as defined in W. Va. Code § 23-2c-2, failure to maintain mandatory workers' compensation coverage, or failure to fully meet its obligations as a workers' compensation self-insured employer. An employer is not in employer default if it has entered into a repayment agreement with the Insurance Commissioner and remains in compliance with the obligations under the repayment agreement.

"Related party" means a party, whether an individual, corporation, partnership, association, limited liability company or any other form or business association or other entity whatsoever, related to any vendor by blood, marriage, ownership or contract through which the party has a relationship of ownership or other interest with the vendor so that the party will actually or by effect receive or control a portion of the benefit, profit or other consideration from performance of a vendor contract with the party receiving an amount that meets or exceeds five percent of the total contract amount.

AFFIRMATION: By signing this form, the vendor's authorized signer affirms and acknowledges under penalty of law for false swearing (W. Va. Code §61-5-3) that neither vendor nor any related party owe a debt as defined above and that neither vendor nor any related party are in employer default as defined above, unless the debt or employer default is permitted under the exception above.

WITNESS THE FOLLOWING SIGNATURE:

Vendor's Name: Long's Security Camera Systems LLC

Authorized Signature: [Signature] Date: 8/31/2017

State of WV

County of KANAWHA, to-wit:

Taken, subscribed, and sworn to before me this 31 day of Aug, 2017.

My Commission expires 4/17, 2020

AFFIX SEAL HERE

NOTARY PUBLIC

[Signature]
Purchasing Affidavit (Revised 08/01/2015)





State of West Virginia
DRUG FREE WORKPLACE CONFORMANCE AFFIDAVIT
West Virginia Code §21-1D-5

STATE OF WEST VIRGINIA,

COUNTY OF Kanawha, TO-WIT:

I, Alan E Long, after being first duly sworn, depose and state as follows:

1. I am an employee of Long's Security Camera Systems LLC; and,
(Company Name)
2. I do hereby attest that Long's Security Camera Systems LLC
(Company Name)

maintains a written plan for a drug-free workplace policy and that such plan and policy are in compliance with **West Virginia Code §21-1D**.

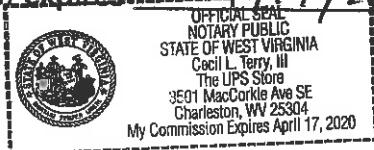
The above statements are sworn to under the penalty of perjury.

Printed Name: Alan E Long
 Signature: [Handwritten Signature]
 Title: Owner
 Company Name: Long's Security Camera Systems LLC
 Date: 08/31/2017

Taken, subscribed and sworn to before me this 31 day of Aug, 2017.

By Commission expires 4/17/2020

(Seal)



[Handwritten Signature]
(Notary Public)

THIS AFFIDAVIT MUST BE SUBMITTED WITH THE BID IN ORDER TO COMPLY WITH WV CODE PROVISIONS. FAILURE TO INCLUDE THE AFFIDAVIT WITH THE BID SHALL RESULT IN DISQUALIFICATION OF THE BID.