

Exhibit A

Pricing Page

CRFQ 0803 DOT1700000076

Item Number	Estimated Quantity	Unit of Measure	Description	Unit Price	Total
1	15	Each	One complete unit: Hydraulic Track Excavator	\$120,493.00 -	\$ 1,807,395.00 -
				<b>Grand Total</b>	\$ -

Vendor shall list the year, make, and model of the unit being bid:

Year: 2017

Make: CASE

Model: CX145D

05/09/17 10:12:44  
MO Purchasing Division



Purchasing Division  
 2019 Washington Street East  
 Post Office Box 50130  
 Charleston, WV 25305-0130

State of West Virginia  
 Request for Quotation  
 13 - Equipment

Proc Folder: 312401

Doc Description: ADDENDUM\_2: CLASS 310 HYDRAULIC TRACK EXCAVATOR

Proc Type: Central Master Agreement

Date Issued	Solicitation Closes	Solicitation No	Version
2017-04-27	2017-05-09 13:30:00	CRFQ 0803 DOT1700000076	3

**BID RECEIVING LOCATION**

BID CLERK  
 DEPARTMENT OF ADMINISTRATION  
 PURCHASING DIVISION  
 2019 WASHINGTON ST E  
 CHARLESTON WV 25305  
 US

**VENDOR**

Vendor Name, Address and Telephone Number:

STATE EQUIPMENT, INC.  
 560 NEW GOFF MOUNTAIN ROAD  
 CROSS LANES, WV 25313  
 (304)776-4405

**FOR INFORMATION CONTACT THE BUYER**

Mark A Atkins  
 (304) 558-2307  
 mark.a.atkins@wv.gov

Signature 

FEIN # 550658298

DATE 5/8/17

All offers subject to all terms and conditions contained in this solicitation

**ADDITIONAL INFORMATION:**

ADDENDUM\_1: Is issued for the following:

1. Correction of Error: Attachment of Pre-Bid sign in sheets inadvertently left off when publishing Addendum\_1 and re-publish the Vendor questions with agency responses.

NO OTHER CHANGES

INVOICE TO	SHIP TO
DIVISION OF HIGHWAYS EQUIPMENT DIVISION RT 33 83 BRUSHY ROAD CROSSING, PO BOX 610 BUCKHANNON WV26201 US	DIVISION OF HIGHWAYS EQUIPMENT DIVISION 83 BRUSHY FORK RD CROSSING BUCKHANNON WV 26201 US

Line	Comm Ln Desc	Qty	Unit Issue	Unit Price	Total Price
1	Vendor shall use Exhibit_A Pricing Page for bid pricing.	0.00000	EA	\$120,493.00	

Comm Code	Manufacturer	Specification	Model #
22101526	CASE	HYDRAULIC TRACK EXCAVATOR	CX145D

**Extended Description :**

OPEN END CONTRACT TO PROVIDE : CLASS 310 HYDRAULIC TRACK EXCAVATOR:

Note: Vendor shall use Exhibit\_A Pricing Page(s) for bid pricing.

If vendor is submitting a bid online, Vendor should enter \$0.00 in the Oasis commodity line. Vendor shall enter pricing into the Exhibit\_A Excel page and must attach with bid.  
See section 18 of Instructions to Bidders.

**SCHEDULE OF EVENTS**

Line	Event	Event Date
1	Mandatory Pre-Bid Meeting:	2017-04-20
2	Technical Questions due by:	2017-04-24

<b>DOT1700000076</b>	<b>Document Phase</b> Final	<b>Document Description</b> ADDENDUM_2: CLASS 310 HYDRAULIC TRACK EXCAVATOR	<b>Page 3</b> <b>of 3</b>
----------------------	--------------------------------	---	------------------------------

**ADDITIONAL TERMS AND CONDITIONS**

See attached document(s) for additional Terms and Conditions

**ADDENDUM ACKNOWLEDGEMENT FORM**  
**SOLICITATION NO.: CRFO 0803 DOT1700000076**

**Instructions:** Please acknowledge receipt of all addenda issued with this solicitation by completing this addendum acknowledgment form. Check the box next to each addendum received and sign below. Failure to acknowledge addenda may result in bid disqualification.

**Acknowledgment:** I hereby acknowledge receipt of the following addenda and have made the necessary revisions to my proposal, plans and/or specification, etc.

**Addendum Numbers Received:**

(Check the box next to each addendum received)

- |  |  |
|--|--|
| <input type="checkbox"/> Addendum No. 1            | <input type="checkbox"/> Addendum No. 6  |
| <input checked="" type="checkbox"/> Addendum No. 2 | <input type="checkbox"/> Addendum No. 7  |
| <input type="checkbox"/> Addendum No. 3            | <input type="checkbox"/> Addendum No. 8  |
| <input type="checkbox"/> Addendum No. 4            | <input type="checkbox"/> Addendum No. 9  |
| <input type="checkbox"/> Addendum No. 5            | <input type="checkbox"/> Addendum No. 10 |

I understand that failure to confirm the receipt of addenda may be cause for rejection of this bid. I further understand that that any verbal representation made or assumed to be made during any oral discussion held between Vendor's representatives and any state personnel is not binding. Only the information issued in writing and added to the specifications by an official addendum is binding.

STATE EQUIPMENT, INC.

\_\_\_\_\_  
Company


  
\_\_\_\_\_  
Authorized Signature

5/8/17

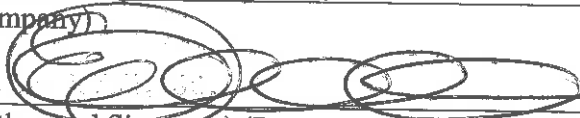
\_\_\_\_\_  
Date

**NOTE:** This addendum acknowledgement should be submitted with the bid to expedite document processing.

**DESIGNATED CONTACT:** Vendor appoints the individual identified in this Section as the Contract Administrator and the initial point of contact for matters relating to this Contract.

  
\_\_\_\_\_  
(Name, Title)  
EDDIE ROWAN, JR.                      GENERAL MANAGER  
\_\_\_\_\_  
(Printed Name and Title)  
560 NEW GOFF MOUNTAIN ROAD CROSS LANES, WV 25313  
\_\_\_\_\_  
(Address)  
(304)776-4405                      (304)776-4409  
\_\_\_\_\_  
(Phone Number) / (Fax Number)  
EDDIE@STATEEQUIPMENT.COM  
\_\_\_\_\_  
(email address)

**CERTIFICATION AND SIGNATURE:** By signing below, or submitting documentation through wvOASIS, I certify that I have reviewed this Solicitation in its entirety; that I understand the requirements, terms and conditions, and other information contained herein; that this bid, offer or proposal constitutes an offer to the State that cannot be unilaterally withdrawn; that the product or service proposed meets the mandatory requirements contained in the Solicitation for that product or service, unless otherwise stated herein; that the Vendor accepts the terms and conditions contained in the Solicitation, unless otherwise stated herein; that I am submitting this bid, offer or proposal for review and consideration; that I am authorized by the vendor to execute and submit this bid, offer, or proposal, or any documents related thereto on vendor's behalf; that I am authorized to bind the vendor in a contractual relationship; and that to the best of my knowledge, the vendor has properly registered with any State agency that may require registration.

STATE EQUIPMENT, INC.  
\_\_\_\_\_  
(Company)  
  
\_\_\_\_\_  
(Authorized Signature) (Representative Name, Title)  
EDDIE ROWAN, JR.                      GENERAL MANAGER  
\_\_\_\_\_  
(Printed Name and Title of Authorized Representative)  
5/8/17  
\_\_\_\_\_  
(Date)  
(304)776-4405                      (304)776-4409  
\_\_\_\_\_  
(Phone Number) (Fax Number)

CRFQ 0803 DOT1700000076  
REQUEST FOR QUOTATION  
**CLASS 310 HYDRAULIC TRACK EXCAVATOR**

---

cause for cancellation of the purchase order, and return of the delivered unit along with all associated equipment to the vendor at the vendor's expense.

**6.5 Condition of Unit(s) upon Delivery:** All units must arrive at the prescribed delivery point having been completely pre-serviced with oil, lubricants, and coolant. All prescribed precautions pertaining to first operations and break-in of the unit are to be posted conspicuously on the unit for ready observance by the operator.

**6.6 Delivery Point:** Delivery point of the completed representative unit will be the WVDOH, Equipment Division, 83 Brushy Fork Crossing, Buckhannon, WV 26201.

**7. MISCELLANEOUS:**

**7.1 No Substitutions:** Vendor shall supply only Contract Items submitted in response to RFQ unless a contract modification is approved in accordance with the provisions contained in this contract.

**7.2 Reports:** Vendor shall provide quarterly reports and annual summaries to the Agency showing the Agency's items purchased, quantities of items purchased, and total dollar value of the items purchased. Vendor shall also provide reports, upon request, showing the items purchased during the term of this Contract, the quantity purchased for each of those items, and the total value of purchases for each of those items. Failure to supply such reports may be grounds for cancellation of this Contract.

**7.3 Contract Manager:** During its performance of this Contract, Vendor must designate and maintain a primary contract manager responsible for overseeing Vendor's responsibilities under this Contract. The Contract manager must be available during normal business hours to address any customer service or other issues related to this Contract. Vendor should list its Contract manager and his or her contact information below.

**Contract Manager:** EDDIE ROWAN, JR.  
**Telephone Number:** (304)776-4405  
**Fax Number:** (304)776-4409  
**Email Address:** EDDIE@STATEEQUIPMENT.COM

**7.4 Operating and Service Manuals and Parts Lists:** An operator's manual must be included with each unit upon delivery. A "line sheet" (if applicable) and the "Equipment Preventative Maintenance Questionnaire", (Exhibit "B") must be with pilot unit upon delivery, Attn: Marcia Lee. There must be twelve (12) service/shop/maintenance manuals and fourteen (14) parts manuals; CD-ROM is preferred in lieu of parts manuals. Manuals shall be delivered upon completion of delivery of total units. Failure to do so will delay payment.

STATE OF WEST VIRGINIA  
Purchasing Division

# PURCHASING AFFIDAVIT

**MANDATE:** Under W. Va. Code §5A-3-10a, no contract or renewal of any contract may be awarded by the state or any of its political subdivisions to any vendor or prospective vendor when the vendor or prospective vendor or a related party to the vendor or prospective vendor is a debtor and: (1) the debt owed is an amount greater than one thousand dollars in the aggregate; or (2) the debtor is in employer default.

**EXCEPTION:** The prohibition listed above does not apply where a vendor has contested any tax administered pursuant to chapter eleven of the W. Va. Code, workers' compensation premium, permit fee or environmental fee or assessment and the matter has not become final or where the vendor has entered into a payment plan or agreement and the vendor is not in default of any of the provisions of such plan or agreement.

**DEFINITIONS:**

**"Debt"** means any assessment, premium, penalty, fine, tax or other amount of money owed to the state or any of its political subdivisions because of a judgment, fine, permit violation, license assessment, defaulted workers' compensation premium, penalty or other assessment presently delinquent or due and required to be paid to the state or any of its political subdivisions, including any interest or additional penalties accrued thereon.

**"Employer default"** means having an outstanding balance or liability to the old fund or to the uninsured employers' fund or being in policy default, as defined in W. Va. Code § 23-2c-2, failure to maintain mandatory workers' compensation coverage, or failure to fully meet its obligations as a workers' compensation self-insured employer. An employer is not in employer default if it has entered into a repayment agreement with the Insurance Commissioner and remains in compliance with the obligations under the repayment agreement.

**"Related party"** means a party, whether an individual, corporation, partnership, association, limited liability company or any other form or business association or other entity whatsoever, related to any vendor by blood, marriage, ownership or contract through which the party has a relationship of ownership or other interest with the vendor so that the party will actually or by effect receive or control a portion of the benefit, profit or other consideration from performance of a vendor contract with the party receiving an amount that meets or exceeds five percent of the total contract amount.

**AFFIRMATION:** By signing this form, the vendor's authorized signer affirms and acknowledges under penalty of law for false swearing (W. Va. Code §61-5-3) that neither vendor nor any related party owe a debt as defined above and that neither vendor nor any related party are in employer default as defined above, unless the debt or employer default is permitted under the exception above.

**WITNESS THE FOLLOWING SIGNATURE:**

Vendor's Name: STATE EQUIPMENT, INC.

Authorized Signature: [Signature] Date: 5/8/17

State of WEST VIRGINIA

County of KANAWHA, to-wit:

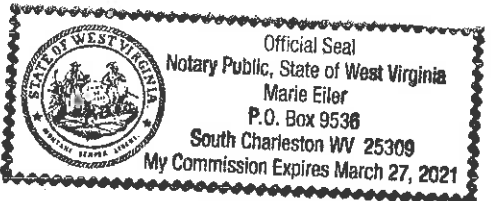
Taken, subscribed, and sworn to before me this 8<sup>th</sup> day of May, 2017.

My Commission expires March 27, 2021.

**AFFIX SEAL HERE**

NOTARY PUBLIC Marie Eiler

*Purchasing Affidavit (Revised 08/01/2015)*





State of West Virginia  
**VENDOR PREFERENCE CERTIFICATE**

Certification and application is hereby made for Preference in accordance with *West Virginia Code*, §5A-3-37. (Does not apply to construction contracts). *West Virginia Code*, §5A-3-37, provides an opportunity for qualifying vendors to request (at the time of bid) preference for their residency status. Such preference is an evaluation method only and will be applied only to the cost bid in accordance with the *West Virginia Code*. This certificate for application is to be used to request such preference. The Purchasing Division will make the determination of the Vendor Preference, if applicable.

**1. Application is made for 2.5% vendor preference for the reason checked:**

- Bidder is an individual resident vendor and has resided continuously in West Virginia for four (4) years immediately preceding the date of this certification; **or,**
- Bidder is a partnership, association or corporation resident vendor and has maintained its headquarters or principal place of business continuously in West Virginia for four (4) years immediately preceding the date of this certification;
- Bidder is a resident vendor partnership, association, or corporation with at least eighty percent of ownership interest of bidder held by another entity that meets the applicable four year residency requirement; **or,**
- Bidder is a nonresident vendor which has an affiliate or subsidiary which employs a minimum of one hundred state residents and which has maintained its headquarters or principal place of business within West Virginia continuously for the four (4) years immediately preceding the date of this certification; **or,**

**2. Application is made for 2.5% vendor preference for the reason checked:**

- Bidder is a resident vendor who certifies that, during the life of the contract, on average at least 75% of the employees working on the project being bid are residents of West Virginia who have resided in the state continuously for the two years immediately preceding submission of this bid; **or,**

**3. Application is made for 2.5% vendor preference for the reason checked:**

- Bidder is a nonresident vendor that employs a minimum of one hundred state residents, or a nonresident vendor which has an affiliate or subsidiary which maintains its headquarters or principal place of business within West Virginia and employs a minimum of one hundred state residents, and for purposes of producing or distributing the commodities or completing the project which is the subject of the bidder's bid and continuously over the entire term of the project, on average at least seventy-five percent of the bidder's employees or the bidder's affiliate's or subsidiary's employees are residents of West Virginia who have resided in the state continuously for the two immediately preceding years and the vendor's bid; **or,**

**4. Application is made for 5% vendor preference for the reason checked:**

- Bidder meets either the requirement of both subdivisions (1) and (2) or subdivision (1) and (3) as stated above; **or,**

**5. Application is made for 3.5% vendor preference who is a veteran for the reason checked:**

- Bidder is an individual resident vendor who is a veteran of the United States armed forces, the reserves or the National Guard and has resided in West Virginia continuously for the four years immediately preceding the date on which the bid is submitted; **or,**

**6. Application is made for 3.5% vendor preference who is a veteran for the reason checked:**

- Bidder is a resident vendor who is a veteran of the United States armed forces, the reserves or the National Guard, if, for purposes of producing or distributing the commodities or completing the project which is the subject of the vendor's bid and continuously over the entire term of the project, on average at least seventy-five percent of the vendor's employees are residents of West Virginia who have resided in the state continuously for the two immediately preceding years.

**7. Application is made for preference as a non-resident small, women- and minority-owned business, in accordance with *West Virginia Code* §5A-3-59 and *West Virginia Code of State Rules*.**

- Bidder has been or expects to be approved prior to contract award by the Purchasing Division as a certified small, women- and minority-owned business.

Bidder understands if the Secretary of Revenue determines that a Bidder receiving preference has failed to continue to meet the requirements for such preference, the Secretary may order the Director of Purchasing to: (a) rescind the contract or purchase order; or (b) assess a penalty against such Bidder in an amount not to exceed 5% of the bid amount and that such penalty will be paid to the contracting agency or deducted from any unpaid balance on the contract or purchase order.

By submission of this certificate, Bidder agrees to disclose any reasonably requested information to the Purchasing Division and authorizes the Department of Revenue to disclose to the Director of Purchasing appropriate information verifying that Bidder has paid the required business taxes, provided that such information does not contain the amounts of taxes paid nor any other information deemed by the Tax Commissioner to be confidential.

**Bidder hereby certifies that this certificate is true and accurate in all respects; and that if a contract is issued to Bidder and if anything contained within this certificate changes during the term of the contract, Bidder will notify the Purchasing Division in writing immediately.**

Bidder: STATE EQUIPMENT, INC.

Signed: 

Date: 5/8/17

Title: GENERAL MANAGER

# CASE

CONSTRUCTION

# CX145D SR

SHORT RADIUS EXCAVATOR

DOZER BLADE

TIER 4 FINAL

## ENGINE

Model	Isuzu AM-4JJ1X CEGR, SCR and DOC
Emissions Certification	Tier 4 Final
Fuel	Requires ultra low-sulfur fuel B5 biodiesel tolerant
Type	Water-cooled, 4-cycle, high pressure common rail system. Turbo-charged w/ air cooled intercooler
Cylinders	4-cylinder in-line
Displacement	183 in <sup>3</sup> (3.0 L)
Bore/Stroke	3.76 x 4.13 in (95.4 x 104.9 mm)
Fuel injection	Direct injection – electronic
Fuel filter	Replaceable, full flow spin-on cartridge
Air filter	Dry type element w/ warning restriction indicator
Oil filter	Replaceable, full flow spin-on cartridge
Engine gradeability:	
Side-to-side	35°
Fore and aft	35°
Net horsepower – SAE J1349 @ 2000 RPM:	102 hp (76.4 kW)
Net max. torque – SAE J1349 @ 1800 RPM:	257 lb-ft (349 N-m)
Cooling operating range:	109° to -13° F (43° to -25° C)
Oil	Requires low-ash oil CJ-4

## DRIVETRAIN

Travel control	Dual stage relief/ counter balance design
Brakes	Mechanical disc
Service brakes	SAHR disc – each motor
Two speed travel:	
Max. high speed	3.5 mph (5.6 kph)
Max. low speed	2.1 mph (3.4 kph)
Automatic downshift	
Drawbar pull	26,100 lbf (116 kN)
Gradeability	70% – 35° slope

## ELECTRICAL

Voltage	24 Volts
Alternator rating	50 amp
Batteries	2 x 12 Volt
Battery reserve capacity	72 Ah/5 hour
Work lights – 4	24 Volt/70 watt
1 boom, 1 upper, 2 cab	

## OPERATOR ENVIRONMENT

Air-conditioner output	13,492 BTU/hr
Heater output	12,897 BTU/hr
Sound level inside cab – ISO6395	70 dBA
Electrical outlet	12 Volt

Cab interior light	10 watt
Side view camera – right	Standard
Seat	Air-suspension

## ATTACHMENT

Boom	15 ft 2 in (4 630 mm)
Arm	8 ft 2 in (2 500 mm)
Bucket digging force	20,200 lb-ft (90 kN)
w/ Auto Power-Boost	21,400 lb-ft (95 kN)

NOTE: \*Digging force ratings based on ISO6015.

## OPERATING WEIGHT

Operating weight	33,600 lb (15 200 kg)
w/ shoes	2 ft 0 in (600 mm)
w/ boom	15 ft 2 in (4 630 mm)
w/ arm	8 ft 2 in (2 500 mm)
w/ bucket	882 lb (400 kg)
w/ blade	8 ft 6 in (2 590 mm)
w/ counterweight	7,860 lb (3 570 kg)

NOTE: W/ operator/full fuel/standard equipment.

## GROUNDER PRESSURE

@ Standard operating weight 5.9 psi (0.41 bar)  
w/ 25.6 in (600 mm) triple semi-grouser shoes,  
8 ft 2 in (2.5 m) Arm, 0.65 yd<sup>3</sup> (0.5 m<sup>3</sup>) bucket

## HYDRAULICS

System design	Open center
Main pumps	Two-variable displacement/ axial piston
Max. rated flow	34.1 gpm (129 L/min)
System pressures:	
Boom, arm and bucket	4,970 psi (343 bar)
w/ power boost	5,260 psi (363 bar)
Travel circuit	4,970 psi (343 bar)
Swing circuit	4,050 psi (279 bar)
Blade circuit	2,990 psi (206 bar)
Pilot pump	1 x gear design
Max. capacity	5.3 gpm (20 L/min)
Controls	w/ boom/arm holding valve
Right track travel, bucket, boom and arm acceleration.	1 x Four-spool section
Left track travel, auxiliary, swing, boom and arm acceleration.	1 x Five-spool section
Blade	1 x One-spool section
Work mode selections	SP: Speed Priority H: Heavy-Duty A: Automatic
Swing motor	Fixed displacement axial piston
Swing final drive	Planetary gear reduction
Travel motor	Two-speed independent travel/axial piston

## HYDRAULIC CYLINDERS

Boom cylinders	Two (2)
Cylinder bore	4.1 in (105 mm)
Cylinder rod diameter	3.0 in (75 mm)
Cylinder stroke	44.1 in (1 120 mm)
Arm cylinder	One (1)
Cylinder bore	4.5 in (115 mm)
Cylinder rod diameter	3.1 in (80 mm)
Cylinder stroke	43.6 in (1 108 mm)
Bucket cylinder	One (1)
Cylinder bore	3.7 in (95 mm)
Cylinder rod diameter	2.6 in (65 mm)
Cylinder stroke	34.7 in (881 mm)
Blade cylinder	Two (2)
Cylinder bore	4.5 in (115 mm)
Cylinder rod diameter	2.8 in (70 mm)
Cylinder stroke	9.8 in (250 mm)

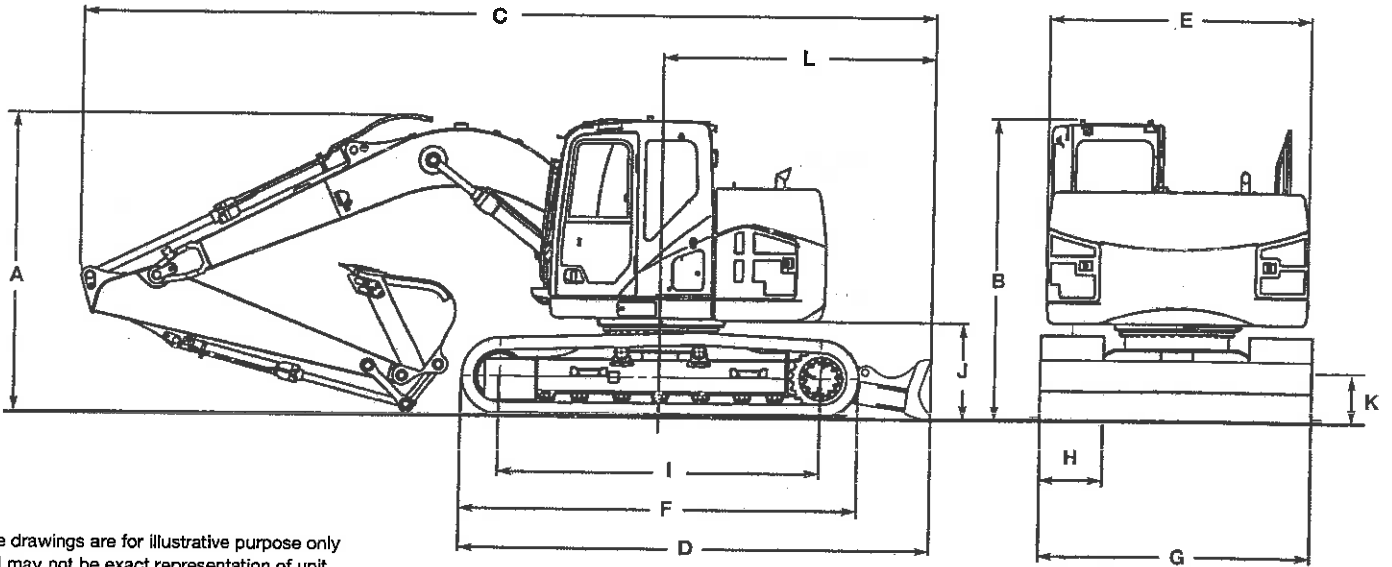
## SERVICE CAPACITIES

Fuel tank	53 gal (200 L)
Hydraulic system	42 gal (158 L)
Hydraulic tank	20 gal (75 L)
Engine oil w/ filter	4.5 gal (17 L)
Swing drive	0.6 gal (2.2 L)
Final drive	0.6 gal (2.1 L)
Cooling system	4.4 gal (16.5 L)
Def Tank	11.9 gal (45 L)

## OTHER SPECIFICATIONS

Swing speed	0 – 12.5 RPM
Swing torque	27,400 lb-ft (37 000 N-m)
Swing brake	Mechanical disc
Undercarriage:	
Length	13 ft 8 in (4 160 mm)
Track gauge	6 ft 6 in (1 990 mm)
Carrier rollers	2
Track rollers	7
Shoes – triple grouser	43
Shoe width – std.	2 ft 0 in (600 mm)
Link pitch	7 in (172 mm)
Track:	
Chain	Grease lubricated/strutted
Guides	Single
Adjustment	Hydraulic

Application	Width	SAE Rated Capacity
Heavy-Duty Pin-On	18 in to 48 in (457 mm to 1 219 mm)	0.36 yd <sup>3</sup> to 1.08 yd <sup>3</sup> (0.28 m <sup>3</sup> to 0.83 m <sup>3</sup> )
Heavy-Duty Hi-Capacity Pin-On	18 in to 42 in (457 mm to 1 067 mm)	0.42 yd <sup>3</sup> to 1.08 yd <sup>3</sup> (0.32 m <sup>3</sup> to 0.83 m <sup>3</sup> )
Heavy-Duty Coupler	18 in to 48 in (457 mm to 1 219 mm)	0.31 yd <sup>3</sup> to 0.95 yd <sup>3</sup> (0.24 m <sup>3</sup> to 0.73 m <sup>3</sup> )
Ditch Cleaning Pin-On	48 in to 60 in (1 219 mm to 1 524 mm)	0.64 yd <sup>3</sup> to 1.02 yd <sup>3</sup> (0.49 m <sup>3</sup> to 0.78 m <sup>3</sup> )

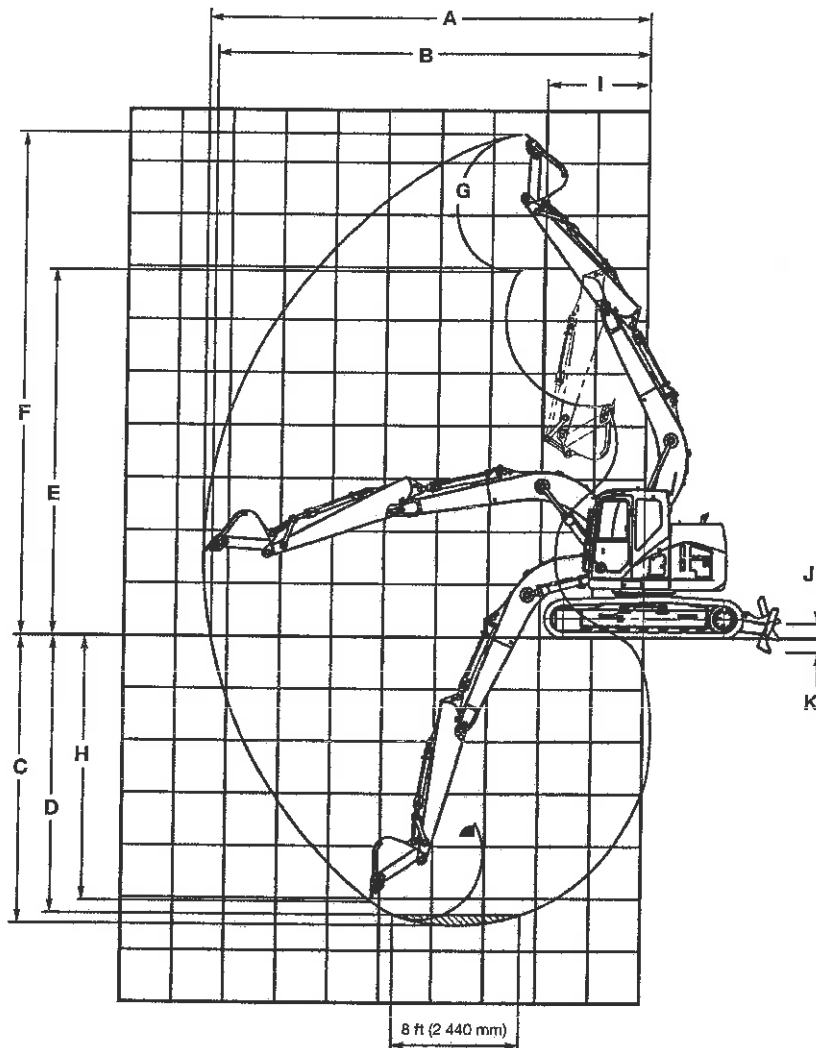


Line drawings are for illustrative purpose only and may not be exact representation of unit.

**DIMENSIONS**

	8 ft 2 in (2.50 m) Arm	9 ft 10 in (3.01 m) Arm	6 ft 11 in (2.11 m) Arm
A. Overall height – to top of boom	9 ft 3 in (2 840 mm)	8 ft 10 in (2 680 mm)	9 ft 0 in (2 743 mm)
B. Cab height	9 ft 3 in (2 820 mm)	9 ft 3 in (2 820 mm)	9 ft 3 in (2 820 mm)
C. Overall length – with attachment	25 ft 10 in (7 880 mm)	25 ft 9 in (7 860 mm)	25 ft 10 in (7 870 mm)
D. Overall length – without attachment	13 ft 8 in (4 160 mm)	13 ft 8 in (4 160 mm)	13 ft 8 in (4 160 mm)
E. Width of upper structure	8 ft 2 in (2 490 mm)	8 ft 2 in (2 490 mm)	8 ft 2 in (2 490 mm)
F. Track overall length	11 ft 6 in (3 500 mm)	11 ft 6 in (3 500 mm)	11 ft 6 in (3 500 mm)
G. Track overall width with 23.6 in (600 mm) shoes	8 ft 6 in (2 590 mm)	8 ft 6 in (2 590 mm)	8 ft 6 in (2 590 mm)
H. Track shoe width	2 ft 0 in (600 mm)	2 ft 0 in (600 mm)	2 ft 0 in (600 mm)
I. Center to center – idler to sprocket	9 ft 2 in (2 790 mm)	9 ft 2 in (2 790 mm)	9 ft 2 in (2 790 mm)
J. Upper structure ground clearance	2 ft 11 in (880 mm)	2 ft 11 in (880 mm)	2 ft 11 in (880 mm)
K. Minimum ground clearance	1 ft 5 in (431.8 mm)	9 ft 4 in (2 844.8 mm)	1 ft 5 in (431.8 mm)
L. Rear tail swing radius	5 ft 0 in (1 530 mm)	5 ft 0 in (1 530 mm)	5 ft 0 in (1 530 mm)

NOTE: \*With 23.6 in (600 mm) track shoe, 1,067 lb (484 kg) bucket, 165 lb (75 kg) operator, full fuel and standard equipment.



**PERFORMANCE SPECS**

	<b>8 ft 2 in (2.50 m) Arm</b>	<b>9 ft 10 in (3.01 m) Arm</b>	<b>6 ft 11 in (2.11 m) Arm</b>
A. Maximum dig radius	27 ft 2 in (8 290 mm)	28 ft 8 in (8 740 mm)	26 ft 1 in (7 940 mm)
B. Dig radius at groundline	26 ft 8 in (8 140 mm)	28 ft 3 in (8 600 mm)	25 ft 6 in (7 780 mm)
C. Maximum dig depth	18 ft 1 in (5 510 mm)	19 ft 9 in (6 010 mm)	16 ft 8 in (5 110 mm)
D. Dig depth – 8 ft 0 in (2.44 m) level bottom	17 ft 4 in (5 290 mm)	19 ft 2 in (5 830 mm)	16 ft 0 in (4 876.8 mm)
E. Dump height	22 ft 9 in (6 940 mm)	23 ft 11 in (7 290 mm)	21 ft 10 in (6 660 mm)
F. Maximum reach height	30 ft 8 in (9 340 mm)	31 ft 9 in (9 690 mm)	29 ft 9 in (9 067.8 mm)
G. Bucket rotation	178°	178°	178°
H. Maximum vertical wall dig depth	16 ft 1 in (4 900 mm)	17 ft 4 in (5 280 mm)	15 ft 0 in (4 572 mm)
I. Minimum swing radius	7 ft 8 in (2 340 mm)	9 ft 1 in (2 750 mm)	6 ft 8 in (2 032 mm)
J. Blade Maximum lift above ground	1 ft 8 in (510 mm)	1 ft 8 in (510 mm)	1 ft 8 in (510 mm)
K. Blade Minimum drop below ground	1 ft 9 in (520 mm)	1 ft 9 in (520 mm)	1 ft 9 in (520 mm)
Arm digging force:			
Standard	13,900 lbf (62 kN)	12,600 lbf (56 kN)	15,700 lbf (70 kN)
Power Boost	14,800 lbf (66 kN)	13,500 lbf (60 kN)	16,600 lbf (74 kN)
Bucket digging force:			
Standard	20,200 lbf (90 kN)	20,200 lbf (90 kN)	20,200 lbf (90 kN)
Power Boost	21,400 lbf (95 kN)	21,400 lbf (95 kN)	21,400 lbf (95 kN)

**8 ft 3 in (2.50 m) Arm Lift capacities calculated using a 880 lb (400 kg) bucket, 7,860 lb (3 570 kg) counterweight with dozer blade on ground.**

Load (Lift Point Height)	MINIMUM REACH			5 ft (1.5 m)		10 ft (3 m)		15 ft (4.5 m)		20 ft (6 m)		25 ft (7.5 m)		MAXIMUM REACH		
	@	END	SIDE	END	SIDE	END	SIDE	END	SIDE	END	SIDE	END	SIDE	@	END	SIDE
+25 ft (7.5 m)	11 ft 1 in (3.43 m)	3,900 lb* (1 850 kg)*	3,900 lb* (1 850 kg)*					4,850 lb* (2 380 kg)*	4,850 lb* (2 380 kg)*					16 ft 8 in (5.24 m)	2,950 lb* (1 310 kg)*	2,950 lb* (1 310 kg)*
+20 ft (6 m)	12 ft 1 in (3.68 m)	7,100 lb* (3 250 kg)*	7,100 lb* (3 250 kg)*					6,350 lb* (2 980 kg)*	6,350 lb* (2 980 kg)*	4,800 lb* (2 340 kg)*	4,800 lb* (2 340 kg)*			21 ft 9 in (6.70 m)	2,450 lb* (1 110 kg)*	2,450 lb* (1 110 kg)*
+15 ft (4.5 m)	10 ft 7 in (3.18 m)	8,050 lb* (3 680 kg)*	8,050 lb* (3 680 kg)*					8,050 lb* (3 710 kg)*	8,050 lb* (3 710 kg)*	6,400 lb* (2 950 kg)*	5,500 lb (2 560 kg)			24 ft 7 in (7.52 m)	2,350 lb* (1 050 kg)*	2,350 lb* (1 050 kg)*
+10 ft (3 m)	4 ft 10 in (1.53 m)	16,300 lb* (6 850 kg)*	16,300 lb* (6 850 kg)*	28,250 lb* (12 814 kg)	28,250 lb* (12 814 kg)	15,650 lb* (7 270 kg)*	15,650 lb* (7 270 kg)*	11,450 lb* (5 280 kg)*	8,450 lb (3 920 kg)	8,300 lb* (3 880 kg)*	5,300 lb (2 450 kg)	4,500 lb* (2 320 kg)*	3,550 lb (1 660 kg)	26 ft 0 in (7.92 m)	2,350 lb* (1 060 kg)*	2,350 lb* (1 060 kg)*
+5 ft (1.5 m)	7 ft 1 in (2.15 m)	8,050 lb* (3 620 kg)*	8,050 lb* (3 620 kg)*			21,350 lb* (9 820 kg)*	15,000 lb (6 970 kg)	13,750 lb* (6 370 kg)*	7,900 lb (3 670 kg)	10,300 lb* (4 760 kg)*	5,000 lb (2 330 kg)	5,450 lb* (2 780 kg)*	3,450 lb (1 610 kg)	26 ft 3 in (8.00 m)	2,450 lb* (1 120 kg)*	2,450 lb* (1 120 kg)*
Groundline	4 ft 8 in (1.43 m)	5,800 lb* (2 630 kg)*	5,800 lb* (2 630 kg)*	6,200 lb* (2 770 kg)*	6,200 lb* (2 770 kg)*	19,250 lb* (8 350 kg)*	14,000 lb (6 510 kg)	14,650 lb* (6 780 kg)*	7,450 lb (3 460 kg)	10,600 lb* (4 890 kg)*	4,800 lb (2 230 kg)	4,450 lb* (2 490 kg)*	3,350 lb (1 570 kg)	25 ft 6 in (7.77 m)	2,750 lb* (1 250 kg)*	2,750 lb* (1 250 kg)*
-5 ft (-1.5 m)	0 ft 9 in (0.24 m)	8,000 lb* (3 590 kg)*	8,000 lb* (3 590 kg)*	11,500 lb* (5 170 kg)*	11,500 lb* (5 170 kg)*	21,350 lb* (9 630 kg)*	13,850 lb (6 460 kg)	14,150 lb* (6 550 kg)*	7,250 lb (3 370 kg)	10,050 lb* (4 660 kg)*	4,700 lb (2 190 kg)			23 ft 8 in (7.22 m)	3,350 lb* (1 510 kg)*	3,350 lb* (1 510 kg)*
-10 ft (-3 m)	1 ft 7 in (0.46 m)	13,000 lb* (5 810 kg)*	13,000 lb* (5 810 kg)*	18,250 lb* (8 110 kg)*	18,250 lb* (8 110 kg)*	17,250 lb* (8 000 kg)*	14,100 lb (6 560 kg)	11,750 lb* (5 480 kg)*	7,350 lb (3 420 kg)	6,750 lb* (3 530 kg)*	4,800 lb (2 250 kg)			20 ft 5 in (6.26 m)	4,650 lb* (2 070 kg)*	4,650 lb* (2 070 kg)*
-15 ft (-4.5 m)	6 ft 3 in (1.77 m)	11,650 lb* (5 760 kg)*	11,650 lb* (5 760 kg)*			9,350 lb* (4 530 kg)*	9,350 lb* (4 530 kg)*	5,000 lb* (2 670 kg)*	5,000 lb* (2 670 kg)*					15 ft 1 in (4.69 m)	4,700 lb* (2 220 kg)*	4,700 lb* (2 220 kg)*

**9 ft 10 in (3.01 m) Arm Lift capacities calculated using a 750 lb (340 kg) bucket, 7,860 lb (3 570 kg) counterweight with dozer blade on ground.**

Load (Lift Point Height)	MINIMUM REACH			0 ft (0 m)		5 ft (1.5 m)		10 ft (3 m)		15 ft (4.5 m)		20 ft (6 m)		25 ft (7.5 m)		MAXIMUM REACH		
	@	END	SIDE	END	SIDE	END	SIDE	END	SIDE	END	SIDE	END	SIDE	END	SIDE	@	END	SIDE
+25 ft (7.5 m)	12 ft 10 in (3.95 m)	4,400 lb* (2 080 kg)*	4,400 lb* (2 080 kg)*							5,150 lb* (2 350 kg)*	5,150 lb* (2 350 kg)*					19 ft 1 in (5.96 m)	2,850 lb* (1 280 kg)*	2,850 lb* (1 280 kg)*
+20 ft (6 m)	13 ft 9 in (4.18 m)	6,150 lb* (2 800 kg)*	6,150 lb* (2 800 kg)*							8,000 lb* (2 760 kg)*	6,000 lb* (2 760 kg)*	4,950 lb* (2 300 kg)*	4,950 lb* (2 300 kg)*			23 ft 7 in (7.25 m)	2,500 lb* (1 120 kg)*	2,500 lb* (1 120 kg)*
+15 ft (4.5 m)	12 ft 6 in (3.76 m)	6,550 lb* (2 990 kg)*	6,550 lb* (2 990 kg)*							6,750 lb* (3 090 kg)*	6,750 lb* (3 090 kg)*	5,800 lb* (2 740 kg)*	5,600 lb* (2 610 kg)*	4,000 lb* (2 000 kg)*	3,750 lb (1 750 kg)	26 ft 2 in (8.00 m)	2,400 lb* (1 080 kg)*	2,400 lb* (1 080 kg)*
+10 ft (3 m)	7 ft 1 in (2.04 m)	9,650 lb* (4 610 kg)*	9,650 lb* (4 610 kg)*					9,900 lb* (4 640 kg)*	9,900 lb* (4 640 kg)*	9,200 lb* (4 260 kg)*	8,550 lb (3 960 kg)	7,550 lb* (3 510 kg)*	5,400 lb (2 510 kg)	5,400 lb* (2 570 kg)*	3,650 lb (1 700 kg)	27 ft 6 in (8.38 m)	2,400 lb* (1 080 kg)*	2,400 lb* (1 080 kg)*
+5 ft (1.5 m)	6 ft 10 in (2.08 m)	8,300 lb* (3 800 kg)*	8,300 lb* (3 800 kg)*					19,450 lb* (8 950 kg)*	15,400 lb (7 170 kg)	13,050 lb* (6 020 kg)*	8,050 lb (3 730 kg)	9,950 lb* (4 580 kg)*	5,100 lb (2 370 kg)	6,400 lb* (3 080 kg)*	3,500 lb (1 630 kg)	27 ft 9 in (8.46 m)	2,500 lb* (1 150 kg)*	2,500 lb* (1 150 kg)*
Groundline	4 ft 4 in (1.32 m)	5,650 lb* (2 560 kg)*	5,650 lb* (2 560 kg)*			6,350 lb* (2 840 kg)*	6,350 lb* (2 840 kg)*	22,300 lb* (9 660 kg)*	14,050 lb (6 540 kg)	14,450 lb* (6 670 kg)*	7,500 lb (3 480 kg)	10,500 lb* (4 880 kg)*	4,850 lb (2 240 kg)	6,700 lb* (3 080 kg)*	3,400 lb (1 570 kg)	27 ft 1 in (8.24 m)	2,900 lb* (1 270 kg)*	2,900 lb* (1 270 kg)*
-5 ft (-1.5 m)	0 ft 0 in (0.00 m)	8,650 lb* (3 900 kg)*	8,650 lb* (3 900 kg)*	8,600 lb (3 900 kg)	8,600 lb (3 900 kg)	10,550 lb* (4 730 kg)*	10,550 lb* (4 730 kg)*	21,600 lb* (9 440 kg)*	13,650 lb (6 370 kg)	14,350 lb* (6 640 kg)*	7,200 lb (3 340 kg)	10,300 lb* (4 770 kg)*	4,650 lb (2 170 kg)	4,250 lb* (2 430 kg)*	3,350 lb (1 550 kg)	25 ft 4 in (7.72 m)	3,350 lb* (1 500 kg)*	3,250 lb (1 480 kg)
-10 ft (-3 m)	0 ft 0 in (0.00 m)	11,400 lb* (5 160 kg)*	11,400 lb* (5 160 kg)*	11,400 lb (5 160 kg)	11,400 lb (5 160 kg)	15,650 lb* (6 940 kg)*	15,650 lb* (6 940 kg)*	18,950 lb* (8 780 kg)*	13,800 lb (6 430 kg)	12,750 lb* (6 430 kg)*	7,250 lb (3 380 kg)	8,700 lb* (4 100 kg)*	4,750 lb (2 190 kg)			22 ft 4 in (6.82 m)	4,400 lb* (1 970 kg)*	4,000 lb (1 800 kg)
-15 ft (-4.5 m)	3 ft 3 in (0.91 m)	18,950 lb* (8 240 kg)*	18,950 lb* (8 240 kg)*			19,350 lb* (9 240 kg)*	19,350 lb* (9 240 kg)*	12,550 lb* (5 950 kg)*	12,550 lb* (5 950 kg)*	8,200 lb* (3 960 kg)*	7,350 lb (3 430 kg)					17 ft 6 in (5.42 m)	5,300 lb* (2 440 kg)*	5,300 lb* (2 440 kg)*

**6 ft 11 in (2.11 m) Arm Lift capacities calculated using a 900 lb (410 kg) bucket, 7,860 lb (3 570 kg) counterweight with dozer blade on ground.**

Load (Lift Point Height)	MINIMUM REACH			5 ft (1.5 m)		10 ft (3 m)		15 ft (4.5 m)		20 ft (6 m)		25 ft (7.5 m)		MAXIMUM REACH				
	@	END	SIDE	END	SIDE	END	SIDE	END	SIDE	END	SIDE	END	SIDE	@	END	SIDE		
+25 ft (7.5 m)	9 ft 8 in (3.01 m)	3,500 lb* (1 670 kg)*	3,500 lb* (1 670 kg)*			3,900 lb* (1 724 kg)	3,800 lb* (1 724 kg)	(1 990 kg)*	(1 990 kg)*					14 ft 7 in (4.63 m)	3,650 lb* (1 620 kg)*	3,650 lb* (1 620 kg)*		
+20 ft (6 m)	10 ft 10 in (3.3 m)	7,350 lb* (3 520 kg)*	7,350 lb* (3 520 kg)*					6,900 lb* (3 210 kg)*	6,900 lb* (3 210 kg)*	3,800 lb* (2 190 kg)*	3,800 lb* (2 190 kg)*			20 ft 4 in (6.26 m)	3,000 lb* (1 350 kg)*	3,000 lb* (1 350 kg)*		
+15 ft (4.5 m)	8 ft 3 in (2.46 m)	5,500 lb* (2 450 kg)*	5,500 lb* (2 450 kg)*					10,000 lb* (4 600 kg)*	10,000 lb* (4 600 kg)*	9,450 lb* (4 390 kg)*	8,650 lb (4 020 kg)	7,150 lb* (3 340 kg)*	5,350 lb (2 500 kg)	23 ft 4 in (7.14 m)	2,800 lb* (1 260 kg)*	2,800 lb* (1 260 kg)*		
+10 ft (3 m)	6 ft 3 in (1.94 m)	14,450 lb* (6 550 kg)*	14,450 lb* (6 550 kg)*					17,400 lb* (8 050 kg)*	16,200 lb (7 520 kg)	12,050 lb* (5 580 kg)*	8,250 lb (3 830 kg)	9,450 lb* (4 410 kg)*	5,150 lb (2 400 kg)	3,594 lb (1 630 kg)*	3,108 lb (1 610 kg)	24 ft 10 in (7.57 m)	2,800 lb* (1 260 kg)*	2,800 lb* (1 260 kg)*
+5 ft (1.5 m)	8 ft 1 in (2.46 m)	8,700 lb* (3 910 kg)*	8,700 lb* (3 910 kg)*					21,600 lb* (10 000 kg)*	14,500 lb (6 750 kg)	14,050 lb* (6 510 kg)*	7,700 lb (3 580 kg)	10,400 lb* (4 800 kg)*	4,900 lb (2 280 kg)	3,350 lb* (2 180 kg)*	3,350 lb* (1 580 kg)	25 ft 1 in (7.65 m)	2,950 lb* (1 330 kg)*	2,950 lb* (1 330 kg)*
Groundline	6 ft 2 in (1.87 m)	6,750 lb* (3 050 kg)*	6,750 lb* (3 050 kg)*					17,600 lb* (7 640 kg)*	13,700 lb (6 370 kg)	14,550 lb* (6 720 kg)*	7,300 lb (3 400 kg)	10,500 lb* (4 850 kg)*	4,700 lb (2 190 kg)			24 ft 4 in (7.41 m)	3,300 lb* (1 490 kg)*	3,300 lb* (1 490 kg)*
-5 ft (-1.5 m)	2 ft 1 in (0.63 m)	8,850 lb* (3 970 kg)*	8,850 lb* (3 970 kg)*	12,450 lb* (5 600 kg)*	12,450 lb* (5 600 kg)*	20,300 lb* (9 350 kg)*	13,800 lb (6 440 kg)	13,700 lb* (6 340 kg)*	7,200 lb (3 350 kg)	9,550 lb* (4 450 kg)*	4,700 lb (2 170 kg)			22 ft 4 in (6.82 m)	4,000 lb* (1 810 kg)*	3,950 lb (1 800 kg)		
-10 ft (-3 m)	3 ft 0 in (0.89 m)	15,850 lb* (7 030 kg)*	15,850 lb* (7 030 kg)*	18,750 lb* (8 340 kg)*	18,750 lb* (8 340 kg)*	15,400 lb* (7 170 kg)*	13,950 lb (6 500 kg)	10,600 lb* (4 980 kg)*	7,400 lb (3 430 kg)					18 ft 11 in (5.8 m)	5,700 lb* (2 520 kg)*	5,200 lb (2 340 kg)		
-15 ft (-4.5 m)	9 ft 6 in (2.9 m)	6,945 lb* (3 150 kg)*	6,945 lb* (3 150 kg)*			6,790 lb* (3 080 kg)*	6,790 lb* (3 080 kg)*							12 ft 5 in (3.79 m)	4,982 lb* (2 260 kg)*	4,982 lb* (2 260 kg)*		

NOTE: \*Following number indicates hydraulic capacity

## STANDARD EQUIPMENT

### ENGINE

Isuzu four-cylinder turbo-charged diesel  
Tier 4 Final – CEGR, DOC, SCR  
Electronic fuel injection  
High pressure common rail system  
Diesel Oxidation Catalyst System (DOC)  
Neutral safety start  
Auto-engine warm up  
Glow-plug pre-heat  
EPF (Engine Protection Feature)  
Dual-stage fuel filtration  
Dual element air filter  
Remote oil filter  
Green plug oil drain  
500-hour engine oil change interval  
24-volt system  
Requires CJ-4 engine oil  
Requires ultra low-sulfur fuel

### FUEL ECONOMY SYSTEMS

Engine Idle/Fuel Economy System:  
Auto-idle  
One-touch idle  
Auto-idle shut-down  
BEC – Boom Economy Control  
AEC – Auto Economy Control  
SWC – Swing Relief Control  
SSC – Spool Stroke Control

### HYDRAULICS

Auto power boost  
Auto swing priority  
Auto travel speed change  
Selectable work modes  
ISO pattern controls  
Pre-set auxiliary pump settings  
Auxiliary valve  
5,000-hour hydraulic oil change interval  
1,000-hour hydraulic filter change interval  
SAHR brake  
Free Swing  
Control Pattern Selector

## OPTIONAL EQUIPMENT

### HYDRAULICS

Auxiliary hydraulics:  
Single acting/joystick activated  
Double acting/joystick activated  
Multi-function/joystick activated  
Secondary low-flow/joystick activated

### UPPER STRUCTURE

Right and left side mirrors  
Isolation mounted cab (fluid and spring)  
Common key vandal locks  
Upper mounted work light (70 watt)  
Swivel guard belly pan

### ATTACHMENTS

Boom – 15 ft 2 in (4.63 m)  
Arm – 8 ft 2 in (2.50 m)  
Heavy-duty bucket linkage  
Boom mounted work light (70 watt)  
Auxiliary pipe brackets  
Centralized grease fittings  
Attachment cushion valve  
Foldable hand rails  
Arm and boom regeneration

### OPERATOR ENVIRONMENT

ROPS protection  
FOPS cab top guard (Level 1)  
Pressurized cab  
One-touch lock front window  
AC/heat/defrost with auto climate control  
Color monitor – 7 in (180 mm)  
Interior dome light  
Air-suspension seat (cloth)  
Seatbelt – 3 in (76 mm)  
Adjustable armrests  
Tilting consoles – 4-position  
Low-effort joystick controls  
Sliding cockpit – 7 in (180 mm)  
Straight travel  
AM/FM Radio with Bluetooth, antenna  
and two speakers  
Aux-in port for personal electronics  
Rear-view camera  
Anti-theft system (start code system)  
Side view camera – right  
Rubber floormat  
12-volt electric outlet

### ATTACHMENTS

Standard arm – 9 ft 11 in (3.01 m)  
Heavy-duty arm – 6 ft 10 in (2.11 m)  
Coupler/Case multi-pin grabber  
Buckets:  
Heavy-duty  
Extreme-duty  
Load holding control  
Hose Burst Check Valve (HBCV)

### UNDERCARRIAGE

27.6 in (700 mm) steel shoes,  
triple semi-grouser  
20.0 in (500 mm) rubber shoes  
Double track chain guides

24-volt cigarette lighter  
External rearview mirrors  
Windshield wiper/washer  
Clear (polycarbonate) roof window  
with sunshade  
Cup holder  
Storage compartments  
On-board diagnostic system  
Travel alarm with cancel switch  
One key start and lock-up

### UNDERCARRIAGE

23.6 in (600 mm) steel shoes,  
triple semi-grouser  
Full overlap turntable bearing tub  
Hydraulic track adjustment  
X-pattern carbody

### DOZER BLADE

Front dozer blade – 8 ft 6 in (2.59 m) width,  
22 in (570 mm) height, comes with 23.6 in  
(600 mm) steel shoes

### TELEMATICS

CASE SiteWatch™ Telematics – includes  
hardware and a 3-yr Advanced  
data subscription

### OPERATOR ENVIRONMENT

FOPS cab top guard (Level 2)  
Front grill guard – 2 x 2 screen mesh  
Front rock guard – vertical bars  
(two piece)/OPG 1  
Front rock guard – vertical bars  
(fixed/one piece)/OPG 2  
Vandal guard  
Rain deflector  
Sun visor  
Side-view camera  
Refueling pump

[CaseCE.com](http://CaseCE.com)

©2017 CNH Industrial America LLC. All rights reserved. CASE is a trademark registered in the United States and many other countries, owned by or licensed to CNH Industrial N.V., its subsidiaries or affiliates. CNH Industrial Capital is a trademark in the United States and many other countries, owned by or licensed to CNH Industrial N.V., its subsidiaries or affiliates. Printed in U.S.A. Contains 10% post-consumer fiber.

**IMPORTANT:** CASE Construction Equipment Inc. reserves the right to change these specifications without notice and without incurring any obligation relating to such change. Availability of some models and equipment builds vary according to the country in which the equipment is used. The illustrations and text may include optional equipment and accessories and may not include all standard equipment. Your CASE dealer/distributor will be able to give you details of the products and their specifications available in your area.



CASE Construction Equipment is biodiesel-friendly. NOTE: All engines meet current EPA emissions regulations. All specifications are stated in accordance with SAE Standards or Recommended Practices, where applicable.



Always read the Operator's Manual before operating any equipment. Inspect equipment before using it, and be sure it is operating properly. Follow the product safety signs and use any safety features provided.

Form No. CCE201704CX145DSRDB

**CX145D SR DB**



CNH Industrial America LLC  
and CNH Industrial Canada, Ltd.

## WARRANTY AND LIMITATION OF LIABILITY AGREEMENT CASE CONSTRUCTION EQUIPMENT

### The Case Warranty

The Case Warranty is a limited warranty that is provided to the initial retail purchaser in return for consideration paid as part of the purchase price of the product. The selling dealer must review the warranty coverage with the initial retail purchaser and obtain signature on this document.

### New Limited Warranty

The warranty described here is from CNH Industrial America LLC and in Canada, CNH Industrial Canada Ltd., both of which are referred to in this agreement as "Case". This warranty is for Case products sold and registered in the United States or Canada and normally operated in the United States or Canada. This warranty does NOT apply to any product normally operated outside of the United States and/or Canada, or to any unit purchased outside of the United States or Canada and imported in for any reason other than a customer relocation/personal move.

### Warranty Period

For the products listed below, the Warranty Period for all coverage begins at the time that any person, dealer or agent first places the unit into service. At the latest, a unit is considered to be placed into service when purchased or delivered to an initial retail purchaser. Certain demonstration, rental, lease, and other used units may be eligible for a portion of a new unit warranty. The availability of the remaining portion of a new unit warranty does not mean that a unit is new or unused. The Warranty Period ends when either the month or machine hour limit is reached, whichever limit occurs first.

PRODUCT	WARRANTY COVERAGE
SKID STEER / COMPACT TRACK LOADERS <sup>1</sup>	12 Months / Unlimited Hours
LOADER BACKHOES - N SERIES <sup>1, 2</sup>	12 Months / Unlimited Hours
TRACTOR LOADERS / FORKLIFTS <sup>1, 2</sup>	12 Months / Unlimited Hours
COMPACT EXCAVATORS <sup>1</sup>	12 Months / 1000 Hours
COMPACT WHEEL LOADERS <sup>1</sup>	12 Months / Unlimited Hours
COMPACTION EQUIPMENT - SINGLE OR DOUBLE DRUM <sup>1</sup>	12 Months / Unlimited Hours
TELESCOPIC HANDLERS <sup>1, 2</sup>	12 Months / Unlimited Hours
WHEEL LOADERS <sup>1, 4</sup>	12 Months / Unlimited Hours
MOTOR GRADERS <sup>1, 4</sup>	12 Months / Unlimited Hours
EXCAVATORS <sup>1, 3, 4</sup>	12 Months / 1800 Hours
CRAWLER DOZERS <sup>1, 4</sup>	12 Months / Unlimited Hours

- 1) Engine coverage is for 24 months / 2000 hours, except Yanmar engines which are for 12 months / 1000 hours. Engine coverage is provided directly by the engine manufacturer.
- 2) Torque converter, transmission, drive shafts, & drive axles are covered for 24 months / 2000 hours.
- 3) Warranty does not cover any configuration excavator equipped with feller buncher/accumulator attachments
- 4) Units equipped with factory standard telematics are authorized for Case ProCare extended coverage for an additional 24 months / 3000 total machine hours, whichever comes first

### Operator's Manual / Warranty Receipt Verification

The selling dealer has reviewed the correct operator's manual with me and will provide upon delivery of the product. YES  / NO   
 The selling dealer explained safety precautions to me. YES  / NO   
 The selling dealer explained the warranty terms and coverage to me. YES  / NO   
 The selling dealer explained Purchased Protection Plan options for additional coverage on select components. YES  / NO   
 I wish to be part of future Case communications, offers or events. YES  / NO

Model:	Serial Number:
Retail DATE / HOURS:	Operator Manual Number:
Purchaser Name (please print):	Dealer Name:
Address:	Address:
City / State:	City / State:
Zip code:	Zip code:
Phone Number:	Phone Number:

The answers checked above are correct. I acknowledge that I have read and I accept this warranty policy statement.

Purchaser Signature \_\_\_\_\_ Date \_\_\_\_\_

Dealer Signature \_\_\_\_\_ Date \_\_\_\_\_

USA mail original to CNH Industrial Capital America LLC, Attn: WLL Agreement, PO Box 3700, Lancaster, PA 17604-3700 USA  
 Overnight courier mail original to CNH Industrial Capital America LLC, Attn: WLL Agreement, 500 Diller Ave., New Holland, PA 17557  
 Canada mail original to CNH Industrial Capital America LLC, Attn: WLL Agreement, 4475 North Service Rd, Suite 301, Burlington, ON L7L4X7 Canada



**CASE**  
CONSTRUCTION

**ProCare**



**WARRANTY, MAINTENANCE AND TELEMATICS.  
ALL OF IT. STANDARD. AND ONLY FROM CASE.**

CASE ProCare is the first all-in-one heavy machine support program that's as powerful as the equipment it protects. Best of all, ProCare comes standard and keeps you covered for up to three full years. It gives you the assurance your growing business needs to stay competitive, productive and profitable.





## THE MOST COMPLETE MAINTENANCE AND HEAVY MACHINE SUPPORT IN THE INDUSTRY. PERIOD.



### 3-year / 3000-hr. Full-machine Factory Warranty\*

#### We've got your back.

The ProCare package starts with industry-leading, comprehensive warranty coverage that frees you to use your CASE equipment like it's meant to be used. So don't hold back, go big. We've got you covered.

- Industry-leading coverage
- Worry-free ownership

### 3-year / 3000-hr. Planned Maintenance

#### Know your costs upfront.

With factory-trained CASE technicians taking care of your scheduled service, you get more than peak performance. You get fixed maintenance costs that help you budget better throughout the life of your machine.

- Reduced ownership costs
- Application and technical support
- Maximized uptime

### 3-year Advanced SiteWatch™ Subscription

#### Remote. Control.

Break the boundaries of fleet management with CASE SiteWatch telematics. Get real-time performance metrics, idle-time analytics, scheduled maintenance intervals and programmable security alerts sent to any computer, anytime, anywhere.

- Machine tracking
- Maintenance reminders
- Customized reporting

CASE ProCare comes standard on new heavy machine orders. See your dealer for availability.

### The ProCare Competitive Advantage.

	Full-Machine Factory Warranty	Planned Maintenance	Telematics
<b>CASE ProCare</b>	3-yr/3000-hr Full-Machine	3-yr/3000-hr Planned Maintenance	3-yr SiteWatch Subscription
Caterpillar	1-yr Full-Machine	Optional Feature at Additional Cost	5-yr Product Link
Komatsu	1-yr Full-Machine	3-yr/2000-hr Komatsu Care	Komtrax Included
Deere	1-yr Full-Machine	Optional Feature at Additional Cost	3-yr JDLink <sup>1</sup>
Volvo	1-yr/2500-hr Full-Machine	Optional Feature at Additional Cost	3-yr Care Track

<sup>1</sup>Limited heavy excavator and wheel loader models have a 5-yr plan Based on manufacturer published information at the time of print.

Any competitors' names, brands and/or logos referred to herein are the trademarks of those respective companies.



Visit [CaseCE.com/ProCare](http://CaseCE.com/ProCare)



\*See CNH Warranty and Limitation of Liability for complete terms and limits of warranty. CASE ProCare comes standard on new heavy machine orders. ©2015 CMH Industrial America LLC. All rights reserved. CASE is a trademark registered in the United States and many other countries, owned by or licensed to CNH Industrial N.V., its subsidiaries or affiliates. CNH Industrial Capital is a trademark in the United States and many other countries, owned by or licensed to CNH Industrial N.V., its subsidiaries or affiliates. Printed in U.S.A.