



Purchasing Division
 2019 Washington Street East
 Post Office Box 50130
 Charleston, WV 25305-0130

**State of West Virginia
 Request for Quotation**

Proc Folder: 294024

Doc Description: COMMERCIAL WASHERS AND DRYERS

Proc Type: Central Purchase Order

Date Issued	Solicitation Closes	Solicitation No	Version
2017-02-03	2017-02-16 13:30:00	CRFQ 0608 COR1700000007	1

BID RECEIVING LOCATION

BID CLERK
 DEPARTMENT OF ADMINISTRATION
 PURCHASING DIVISION
 2019 WASHINGTON ST E
 CHARLESTON WV 25305
 US

VENDOR

Vendor Name, Address and Telephone Number:

Tiles in Style, LLC DBA Taza Supplies, LLC
 697 Executive dr,
 Willowbrook, IL, 60527
 Ph # 630-219-0220
 Fax # 866-552-8262
 Email : aalam@tilesinstyle.com

02/15/17 09:23:47
 WV Purchasing Division

FOR INFORMATION CONTACT THE BUYER

Crystal Rink
 (304) 558-2402
 crystal.g.rink@wv.gov

Signature X

FEIN # 39-2049523

DATE 02/13/2017

All offers subject to all terms and conditions contained in this solicitation

ADDITIONAL INFORMATION:

THE STATE OF WEST VIRGINIA PURCHASING DIVISION FOR THE AGENCY, THE WEST VIRGINIA DIVISION OF CORRECTIONS, IS SOLICITING BIDS TO ESTABLISH A CONTRACT FOR THE ONE-TIME PURCHASE OF COMMERCIAL WASHERS AND DRYERS FOR MULTIPLE CORRECTIONAL FACILITIES PER THE ATTACHED.

INVOICE TO		SHIP TO	
FISCAL DEPARTMENT DIVISION OF CORRECTIONS - CENTRAL OFFICE 1409 GREENBRIER ST STE 300		STATE OF WEST VIRGINIA VARIOUS LOCATIONS AS INDICATED BY ORDER	
CHARLESTON	WV25311	No City	WV 99999
US		US	

Line	Comm Ln Desc	Qty	Unit Issue	Unit Price	Total Price
1	COMMERCIAL WASHERS	29.00000	EA	\$3,167.96	\$91,870.84

Comm Code	Manufacturer	Specification	Model #
31161800	CONTINENTAL GIRBAU	20 POUND WASHER	EHO20PA / 10211220

Extended Description :
COMMERICAL CLOTHES WASHER

INVOICE TO		SHIP TO	
FISCAL DEPARTMENT DIVISION OF CORRECTIONS - CENTRAL OFFICE 1409 GREENBRIER ST STE 300		STATE OF WEST VIRGINIA VARIOUS LOCATIONS AS INDICATED BY ORDER	
CHARLESTON	WV25311	No City	WV 99999
US		US	

Line	Comm Ln Desc	Qty	Unit Issue	Unit Price	Total Price
2	COMMERCIAL DRYERS	28.00000	EA	\$3,424.32	\$95,880.86

Comm Code	Manufacturer	Specification	Model #
47111503	CONTINENTAL GIRBAU	UP TO 30 POUND DRYER	SBH020-XS-F / KTO25NQT / CG2030

Extended Description :
COMMERICAL CLOTHES DRYER


SCHEDULE OF EVENTS

Line	Event	Event Date
1	VENDOR QUESTION DEADLINE	2017-02-08

COR1700000007	Document Phase Final	Document Description COMMERCIAL WASHERS AND DRYERS	Page 3 of 3
---------------	--------------------------------	--	------------------------------

ADDITIONAL TERMS AND CONDITIONS

See attached document(s) for additional Terms and Conditions

EXHIBIT A		CRFQ COR170000007		
COMMERCIAL WASHERS AND DRYERS PRICING PAGE				
CONTRACT ITEM NO.	DESCRIPTION	QTY	UNIT PRICE	TOTAL
Item No. 3.1.1	Commercial Clothes Washer-Extractor	29	\$ 3,167.96	\$91,870.84
(Line Item #1)	Continental E-Series Model EH020 PA 10211220 (or equal) High Performance, 20 lb capacity with Continental SBH020-S-SX-F 8" Floating Base Unit (or equal). Manufacturer Bid: CONTINENTAL GIRBAU 20 POUND WASHER Model No. Bid: EHO20PA / 10211220			
Item No. 3.1.2	Commercial Clothes Dryer	28	\$ 3,424.32	\$95,880.96
(Line Item #2)	Continental Pro-Series II Model CG2030KT025NQT (or equal) High Performance, 30 lb capacity with 64,000 BTU/h Gas Heat Manufacturer Bid: CONTINENTAL GIRBAU UP TO 30 POUND DRYER Model No. Bid: SBH020-XS-F / KTO25NQT / CG2030			
Unit prices to be inclusive of all freight/delivery costs Failure to use this form may result in disqualification			GRAND TOTAL	\$187,751.80
Bidder / Vendor Information:				
Name: Tiles in Style, LLC DBA Taza Supplies, LLC				
Address: 697 Exective dr, Willowbrook, IL, 60527				
Phone: 630-219-0220				
Fax: 866-552-8262				
E-mail Address: aalam@tilesinstyle.com				
Authorized Signature:			Date:	2/13/2017
				

PRO-SERIES II DRYING TUMBLERS FOR ON-PREMISE LAUNDRIES

CONTINENTAL
CG75-85

PRO-SERIES II

CG20-30
CG30-40
CG55-65
CG50-60
CG75-85
CG115-25
CG165-75

Pro-Series II Dryers are engineered for the ultimate in efficiency, programmability and ease of use. Complete with properly balanced airflow, heat input and cylinder volume, the Pro-Series II line delivers high-quality results and features that can dramatically increase laundry production.

CONTINENTAL
GIRBAU®

PRO-SERIES II DRYING TUMBLERS

PRODUCTIVITY AND EFFICIENCY REDEFINED.

Pro-Series II Drying Tumblers are designed with quality components, easy-to-use programmable controls and a multitude of features that dramatically increase laundry production and energy-efficiency. Properly balanced airflow, heat input and basket volume allows maximum production when matched with Continental Washer-Extractors.

ENERGY-EFFICIENCY

Several key features contribute to heightened energy-efficiency on Pro-Series II Dryers, including instant electronic spark ignition; a modular electrical system for added reliability and easy servicing; and a multiple burner heat system to efficiently and quickly reach desired temperatures. Pro-Series II delivers quick drying thanks to carefully balanced heat energy input and airflow. Perfectly balanced airflow prevents extra wear on fabrics and cuts drying time. The heat system is enclosed thereby capturing intake air and preheating it before entering the tumbler—reducing energy costs without increasing dry time.

ERGONOMIC & EASY TO MAINTAIN

Ergonomic and easy to maintain, Pro-Series II Dryers feature self-cleaning lint screens that support maximum airflow. Further contributing to ease of maintenance are conveniently accessible components and an automatic backdraft damper to prevent outside air from entering the laundry room. Because ergonomics matter, the tumblers feature oversized steel doors with reinforced metal door bars and hinges—simplifying loading and unloading!

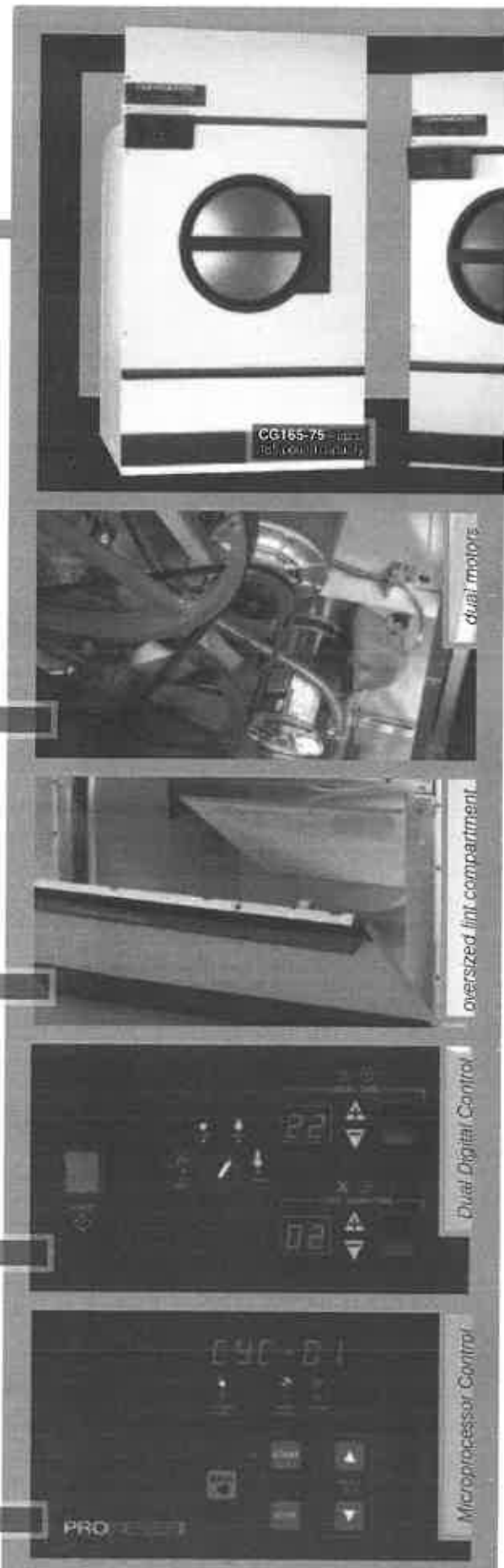
CONTROL FLEXIBILITY

Pro-Series II Dryers offer two programmable controls—the Dual Digital Control or the Microprocessor Control. The Dual Digital Control is simple to use, efficient and reliable. It allows the operator to choose one of four temperature selections, heat and cool down cycle time and a single push-to-start operation.

Continental's new Microprocessor Control is designed for greater flexibility and efficiency. Equipped with a multitude of features, the control offers up to 20 programmable cycles; a reminder to clean the lint screen; an anti-wrinkle and extended tumble feature that initiates unheated tumble action after the end-of-cycle signal to reduce the occurrence of wrinkles in unattended loads; an external end-of-cycle output to aid attendants in noticing when a load is complete; and auditing information on the display. With multiple programmable cycle types—time-dry, auto-dry or Continental's moisture sensing drying (optional on CG20-30 through CG75-85, standard on CG115-25 and CG165-75)—Pro-Series Dryers offer the ultimate in drying technology and load management control.

MOISTURE SENSING TECHNOLOGY

Continental's Linen Life Extension (LLE) moisture sensing system is very reliable and extremely accurate. Featuring 20 programmable cycles with up to 12 programmable dryness levels and additional programmable heat time, LLE can target any dryness level from zero to 40-percent. To ensure accurate moisture readings, the LLE system provides an extremely large load-to-surface contact area. Unlike some moisture sensing systems available, Continental's LLE system uses the entire surface area of the lifters within the dryer cylinder as sensors. This increase in load contact surface area provides extremely accurate moisture readings. When the load has reached its preset target level of dryness, the control shuts the dryer off—saving energy, time and labor. The result? Dry goods experience less damage with up to 31 percent less fiber loss. LLE effectively reduces over-drying, resulting fabric damage, and cuts energy and labor costs.





COMPACT DESIGN OF CG55-65

The Pro-Series II compact CG55-65 tumbler fits through a standard 36-inch door, takes up less space and offers more drying capacity than most 50-pound capacity drying tumblers! At 34.5 inches in width, the CG55-65 tumbler is super-slim so it fits into smaller spaces. Yet, thanks to innovative engineering, it also offers big capacity and productivity!

AXIAL AIRFLOW FOR SMALL-LOAD EFFICIENCY

CG20-30, CG30-40, CG55-65 Models

Pro-Series II small-capacity dryers feature axial airflow, a system that directs heated air through the load from back to front. Perforated cylinders and drum lifters maximize airflow and tumbling action while also preventing tangling. The result is fast and efficient drying—exactly what on-premise laundries want!

RADIAL AIRFLOW FOR LARGER LOADS

CG50-60, CG75-85, CG115-25, CG165-75 Models

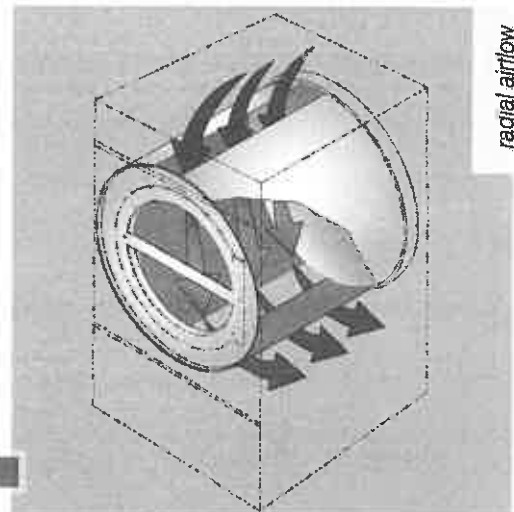
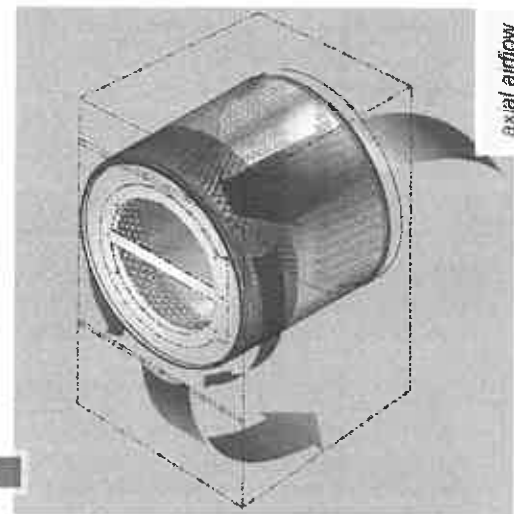
Pro-Series II large-capacity drying tumblers are designed with radial airflow—a system that captures heated intake air and distributes it evenly throughout the cylinder. Radial airflow ensures maximum load separation for big loads and bulky items and utilizes the tumbler's complete capacity for quick, even drying. As heated air is released from the top of the basket, linens, which are rotated from the bottom to the top, fall and separate throughout the entire cylinder. Simultaneously, heated air is pushed through and around the load—eliminating hot spots.

DURABILITY UNMATCHED

Durability characterizes Pro-Series II. The tumblers feature rugged cylinders; dual motors with overload protection; steel front, side and top panels coated inside and out with electrostatically applied, baked-on paint for superior bonding and corrosion resistance; an all-belt drive system with cast iron pulleys and permanently sealed bearings for quiet, low-maintenance operation; and durable kick-plates and cart bumpers to protect tumblers from nicks and scrapes. An exclusive annealed stainless steel backplate (standard on all models except CG115-25 and CG165-75) contributes to longer machine life and also reduces friction against tumbling laundry—extending linen life. No wonder Pro-Series II Tumblers are backed by an industry-leading factory warranty!

ISS FIRE SENSING & EXTINGUISHING

Continental understands the importance of safety. That's why we've equipped Pro-Series II dryers with an optional Integrated Sprinkler System (ISS), a sensing and extinguishing device that squelches dryer fires before they get out of control. ISS, which is available on gas and steam units, is always active—even after a load is complete—offering laundries added protection when a laundry is unattended. If ISS sensors detect a fire inside the dryer drum, the drum rotates and distributes water vapor—saturating laundry and extinguishing the fire. ISS continues to monitor the condition of the dryer and restarts if fire is again detected.



DIMENSIONS & WEIGHTS

CONNECTIONS

AVAILABLE VOLTAGES

	CG20-30	CG30-40	CG55-65	CG50-80	CG75-85	CG115-25	CG165-75
Capacity lbs	up to 30	up to 40	up to 65	up to 60	up to 85	up to 125	up to 175
Airflow Type	Axial	Axial	Axial	Radial	Radial	Radial	Radial
Cylinder Diameter inch (mm)	26.5 (673)	30 (762)	33 (838)	37 (940)	37 (940)	44 (1118)	50.75 (1293)
Cylinder Depth inch (mm)	24 (610)	30 (762)	35 (889)	30 (762)	36 (914)	41 (1041)	42.5 (1080)
Cylinder Volume cu ft (m ³)	7.7 (0.22)	12.3 (0.35)	17.3 (0.49)	18.6 (0.53)	22.4 (0.63)	36.1 (1.02)	49.7 (1.41)
Net Weight lbs (kg)							
Gas/Electric	300 (137)	360 (163)	435 (197)	545 (247)	615 (279)	1275 (580)	1575 (716)
Steam	300 (137)	360 (163)	—	545 (247)	615 (279)	1375 (625)	1675 (761)
Crated Weight lbs (kg)							
Gas/Electric	332 (151)	394 (179)	476 (216)	602 (273)	677 (307)	1338 (607)	1667 (756)
Steam	332 (151)	394 (179)	—	602 (273)	677 (307)	1447 (656)	1776 (806)
Machine Width inch (mm)	28 (711)	31.5 (800)	34.5 (876)	38.62 (981)	38.62 (981)	46.35 (1178)	53.12 (1349)
Machine Depth inch (mm)	40.87 (1038)	46.87 (1191)	53.62 (1362)	48.25 (1226)	54.25 (1378)	67.92 (1725)	68.85 (1749)
Machine Height inch (mm)							
Gas/Electric	63.87 (1622)	63.87 (1622)	66.72 (1695)	76.62 (1946)	76.62 (1946)	85.7 (2177)	94 (2388)
Steam	63.87 (1622)	63.87 (1622)	—	80 (2032)	80 (2032)	83.5 (2121)	94 (2388)
Door Opening inch (mm)	22.69 (576)	22.69 (576)	26.89 (683)	26.89 (683)	26.89 (683)	26.89 (683)	26.89 (683)
Floor to Door inch (mm)	27.5 (699)	27.5 (699)	26.87 (682)	30.75 (781)	30.75 (781)	31.38 (797)	33.86 (860)
Shipping Dimensions inch (mm) (WxDxH)	30 x 43 x 69 (762 x 1092 x 1753)	33 x 49 x 69 (838 x 1245 x 1753)	35.5 x 59 x 72 (902 x 1499 x 1829)	41.5 x 52.1 x 81 (1054 x 1329 x 2057)	41.5 x 56.4 x 81 (1054 x 1433 x 2057)	48.5 x 72 x 90 (1232 x 1829 x 2286)	58 x 74.5 x 99 (1473 x 1892 x 2515)
Motor Power HP (kW)	2 @ 1/4 (0.19)	2 @ 1/4 (0.19)	2 @ 1/2 (0.37)	1/2 (0.37)	3/4 (0.56)	—	—
Reversing Motor Power HP (kW)							
Cylinder	1/4 (0.19)	1/4 (0.19)	1/4 (0.19)	1/3 (0.25)	1/3 (0.25)	3/4 (0.56)	3/4 (0.56)
Fan	1/4 (0.19)	1/4 (0.19)	1/4 (0.19)	1/3 (0.25)	1/3 (0.25)	1 (0.75)	3 (2.24)
Exhaust Diameter inch (mm)	6 (152)	8 (203)	8 (203)	8 (203)	8 (203)	10 (254)	12 (300)
Exhaust Air Flow cfm (l/s)							
Gas/Steam	500 (236)	650 (307)	700 (330)	750 (354)	920 (434)	1600 (755)	2450 (1156)
Electric	500 (236)	650 (307)	700 (330)	750 (354)	750 (354)	1600 (755)	2450 (1156)
Electric Heating kW	12	24	30	27	30	60	—
Gas Connection inch	1/2 N.P.T.	1/2 N.P.T.	1/2 N.P.T.	1/2 N.P.T.	1/2 N.P.T.	3/4 N.P.T.	1 N.P.T.
Gas Heating BTU/h (Kcal/hr)	64,000 (16,128)	90,000 (22,680)	112,000 (28,224)	130,000 (32,760)	165,000 (41,580)	270,000 (68,040)	395,000 (99,538)
Steam Connection inch	3/4 N.P.T.	3/4 N.P.T.	—	3/4 N.P.T.	3/4 N.P.T.	3/4 N.P.T./3/4 N.P.T.	3/4 N.P.T./1 N.P.T.
Steam Heating BTU/h (kW) at 100 PSI (6.9 bar)	134,700 (39.5)	166,000 (48.6)	—	177,500 (5.2)	210,300 (61.6)	405,000 (118.7)	648,000 (189.9)
BHP Consumption BHP at 100 PSI (6.9 bar)	3.9	4.8	—	5.1	6.1	11.7	18.8
Gas/Steam Amp (Rev. Amp)							
120/60/1	12	12	9.2	9.3	13.8	—	—
208-240/60/1	6.7	6.7	6.5	—	—	—	—
200-208/240/60/1	—	—	—	5.1	7.6/7.6	—	—
200-208/240/60/3	3.2	3.2	4.0/3.9	2.8 (4.0)	3.8/3.8 (4.3/4.3)	(7.7/7.3)	(13.5/13.5)
440/60/3	—	—	—	1.9 (2.1) steam only	1.9 (2.1) steam only	(3.8) steam only	(6.4) steam only
460-480/60/3	1.6	1.6	—	1.4 (1.9)	1.9 (2.1)	(3.9) gas only	(6.7)
Electric Amp (Rev. Amp)							
200/60/1	64	122	122	—	—	—	—
208/60/1	64	122	129	—	—	—	—
240/60/1	57	107	115	—	—	—	—
200-208/60/3	37	71	79	89 (88)	89 (88)	—	—
240/60/3	33	62	65	79 (78)	79 (78)	(152)	—
440/60/3	—	—	—	41 (41)	41 (41)	—	—
460-480/60/3	16	31	—	—	—	—	—
480/60/3	—	—	—	38 (38)	38 (38)	(76.1)	—

* Product specifications are subject to change without notice. For the most current product specifications including CAD details, technical specifications and warranty, please visit www.continentalgirbau.com.



CONTINENTALCARE™
BUY WITH COMPLETE CONFIDENCE

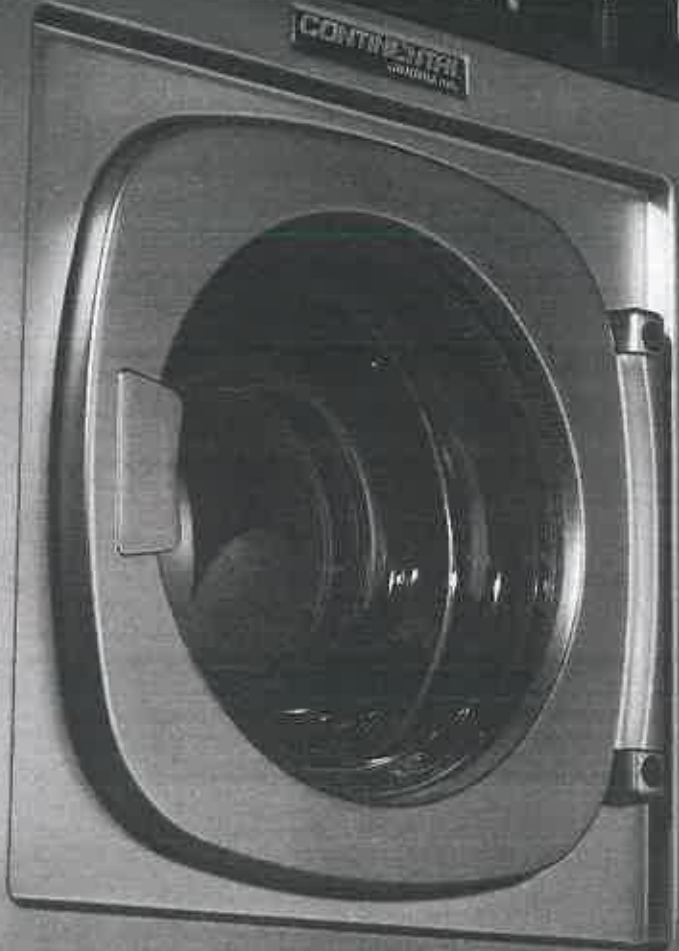


DISTRIBUTED BY:



CONTINENTAL
GIRBAU®

Control panel area featuring a digital display showing '2:25' and various control buttons. Text on the panel includes 'LED PER CONTACT' and 'E-SERIES'.



**E-SERIES HIGH-PERFORMANCE LAUNDRY
EQUIPMENT FOR ON-PREMISE LAUNDRIES**

Maximizing Energy Efficiency & Productivity

EH020 | KFE/KFG

E-SERIES HIGH PERFORMANCE 20-POUND CAPACITY WASHER-EXTRACTOR

Designed to drive down gas, water and electrical costs while improving productivity, Continental E-Series High-Performance Washer-Extractors deliver high-speed extract, an easy-to-install freestanding design, unmatched durability and the ultimate in programmability!

INNOVATIVE TECHNOLOGY

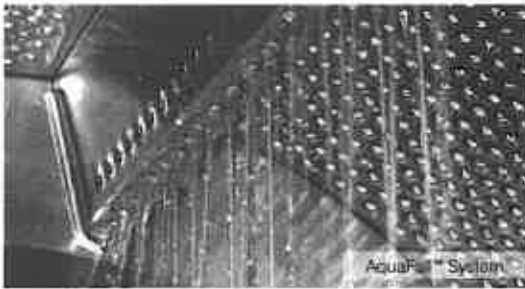
CONTINENTAL'S MOST FLEXIBLE CONTROL EVER

The highly flexible Logi Pro Control offers 25 individually modifiable programs—each with up to 11 baths including multiple pre-wash, wash and rinse cycles. Variables within each bath—including wash temperature, six water levels, cycle times, rotation and G-force extract speeds—can be individually programmed for maximum efficiency given the load type. E-Series Washers can also be programmed for automatic chemical injection—ensuring a consistent clean with every wash and eliminating the possibility of chemical overuse and resulting damage to fabric.



STINGY ON WATER

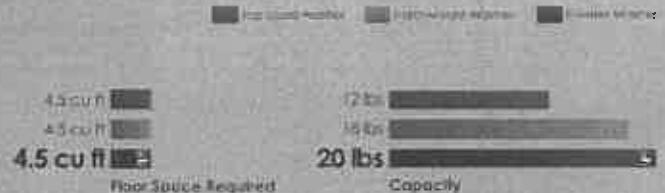
E-Series technology allows for superior wash quality using considerably less water than most toploads on the market. A sump-less design, exclusive AquaFall™ system and a highly programmable control combine to slash water usage and ensure excellent wash quality. Compared with most top-load washers, which consume 31-40 gallons of water per load, E-Series uses as little as 13.4* gallons per load! Less water used equates to less water heated and additional savings in gas and electricity. No wonder it's ENERGY STAR® qualified as a top tier industrial washer for efficiency!



E-SERIES WASHER-EXTRACTORS DELIVER MORE USING LESS

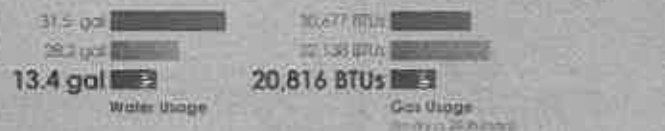
SMALLER MACHINE – GREATER OUTPUT

E-Series Washers fit into the same space as most top-load washers, yet offer 40% greater capacity. Larger loads equate to increased productivity. E-Series Washers use the same power requirements as top-load washers and as a result are an easy replacement for these less efficient models.



MORE EFFICIENCY – DECREASED UTILITY COSTS

E-Series Washers use up to 57 percent less water per load! This translates into significant savings of water usage and water-heating costs. The high-speed extract of E-Series* further reduces utility costs by decreasing the gas or electricity used to dry a load.



THE BOTTOM LINE—BOOSTED PRODUCTIVITY

How can E-Series Washers produce more laundry per hour when compared to larger, lower-performance machines? The answer lies in wash and dry throughput. E-Series Washers reach much higher extraction speeds—resulting in greater moisture removal, shortened dry time and boosted productivity. E-Series Washers move soiled laundry through the wash and dry process faster. This boosts productivity, reduces labor costs and extends linen life by minimizing exposure to dryer heat and tumbling.

*Model 20000 (top-load), Continental 20000 (top-load washer), 2000000 (20 lbs front-load washer), Continental 20000 (washer & dryer)

UNIQUE DESIGN

HIGH-SPEED EXTRACT & FREESTANDING DESIGN

A 20-pound capacity washer, E-Series features a freestanding design that allows for extraction speeds of up to 300 G-force, about 200 G-force more than most top-load washers and 100-150 G-force more than most similarly sized hard-mount washers. The super-speed extract removes more water from each load—slashing dry time and resulting gas consumption by up to 50%! Production, in turn, is significantly enhanced using less labor and utilities. And, unlike hard-mount machines that must be bolted to concrete foundations, the freestanding design of E-Series Washers allows them to be easily installed and moved—using the same footprint as most top-load washers. To further facilitate easy installation, E-Series Washers use single-phase power which is easily available at most on-premise locations.



PROVEN CONSTRUCTION, DURABILITY & LONGEVITY

E-Series Washers feature inner and outer drums of durable AISI-304 stainless steel, oversized bearings and bearing housings and a quality sealing system. They are engineered using as few welds as possible to attain unmatched strength. The oversized door, which allows for easy loading and unloading, is equipped with heavy-duty, bolt-style door hinges to withstand the rigors of constant use.

EASE OF MAINTENANCE

Nearly all components are accessible via the front or top cover of the washer, which is easily removed without interfering with detergent dispensers. Bearings are lubricated for a lifetime, the poly-v belt needn't be tightened, and bearings and seals are easily replaced without removing the washer drum. Everything about E-Series mandates ease of maintenance and component accessibility. Choose from standard gravity drain, or optional pump drain.



ENERGY STAR QUALIFIED

Continental E-Series Washers offer unrivaled efficiency for on-premise laundries looking for a small-load commercial washer-extractor. E-Series Washers boast a superior 2.21 MEF (Modified Energy Factor) and 5.03 WCF (water consumption factor); use just 13.4 gallons of water per load; and offer high-speed extract for shortened dry times and improved productivity. Energy Star qualified, E-Series Washers often qualify for local utility rebates.



BACKED BY A COMMERCIAL WARRANTY

Engineered to withstand the rigors of constant use, E-Series Washers offer an industry-leading commercial warranty.

CONTINENTALCARE™

BUY WITH COMPLETE CONFIDENCE

5-YEAR LIMITED PARTS WARRANTY
5-YEAR COMPLETE WORKMANSHIP WARRANTY

E-SERIES HIGH PERFORMANCE 25-POUND CAPACITY DRYING TUMBLER

Equipped with an oversized door, dryer window and cylinder light, E-Series Drying Tumblers are not only easy to use, they are incredibly efficient! With up to 25 pounds of capacity and gas or electric heat, E-Series Dryers are the right choice for any on-premise laundry with small load requirements. Loaded with industrial-grade features that ensure durability and simplify maintenance, E-Series Dryers are built to last.

COMPACT DRYING TUMBLER

INDUSTRIAL-GRADE EFFICIENCY AND DURABILITY

Featuring AISI-304 stainless steel top, front and side panels, the E-Series Drying Tumbler echos the efficiency and durability of the E-Series Washer-Extractor. The robust 7.0 cu. ft. cylinder and 1/3 HP motor are a perfect match in capacity and power to the E-Series Washer. In addition, E-Series Dryers boast efficient axial airflow that maximizes water removal. Laundry dries faster—resulting in a significant savings in labor and utility costs.

ERGONOMIC DESIGN

Utilizing a sensible ergonomic design with an oversized door, cylinder light, unique dryer window, and optional elevation base, the E-Series Dryer makes loading and unloading a snap. The large door—with a left or right swing—features heavy-duty hinges to withstand the rigors of constant use.



FLEXIBLE CONTROL

The dryer control, which mirrors the look of the E-Series Washer control, offers four temperature settings including high, medium, low and delicate. It couldn't be simpler to operate thanks to easy-to-understand icons that show operating instructions and a digital display that illuminates machine cycle status.

EASY TO INSTALL, SERVICE & MAINTAIN

E-Series Dryers share the same dimensions and utility connections as most home-style dryers, and as a result, are a smart replacement for

these less efficient models. Designed for minimal maintenance and simplified serviceability, the drying tumbler features a lint filter that's easy to reach and clean, but doesn't get in the way of users. When service is necessary, most components are accessible from the front—eliminating the need to move the machine. The motor, blower, heating element, gas valve and thermostats are serviceable through a lower front panel without having to disconnect the door switch.

GAS OR ELECTRIC

Underwriters Laboratories (UL) and CSA International listed, E-Series Dryers are available in gas or electric heat.



BACKED BY A COMMERCIAL WARRANTY

Constructed for longevity in the most demanding environments, E-Series Drying Tumblers are backed by an industry-leading commercial warranty.

CONTINENTALCARE

BUY WITH COMPLETE CONFIDENCE | AN UNLIMITED PARTS WARRANTY



ADVANCED ENGINEERING FOR UNRIVALLED EFFICIENCY

DIMENSIONS & WEIGHTS

EHO20	
Capacity lbs (kg)	20 (9)
Cylinder Diameter inch (mm)	21.1 (536)
Cylinder Depth inch (mm)	13.8 (351)
Cylinder Volume cu ft (dm ³)	2.8 (79.2)
Net Weight lbs (kg)	279 (127)
Crated Weight lbs (kg)	301 (137)
Machine Width inch (mm)	27 (685)
Machine Depth inch (mm)	27.6 (700)
Machine Height inch (mm)	42.5 (1080)
Door Opening inch (mm)	12.7 (322)
Floor to Door inch (mm)	15.4 (390)
Shipping Dimensions inch (mm) (WxDxH)	28.3 x 29.1 x 47.7 (720 x 740 x 1212)
Control Options	Logi Pro™
Washing Speeds rpm	50
Spin Speeds rpm	50/100/580/690/780/970
G-force	0.75/3/10/143/183/300
Modified Energy Factor (MEF)*	2.21
Water Consumption Factor (WCF)*	5.03
Drain Diameter inch (mm) pump gravity	1 (25.4) 2 (51)
Water Inlets inch (mm)	3/4 (19)
Recommended Water Pressure PSI (bar)	30-60 (2-4)
Water Flow gal/min (l/min)	8 (30)
Motor Power kW	0.8

CAPACITY

CONNECTIONS

KFE/KFG

KFE/KFG	
Capacity lbs (kg)	up to 25 (12)
Cylinder Volume cu ft (dm ³)	7 (199)
Net Weight lbs (kg) Electric / Gas	150 (68) / 155 (70)
Crated Weight lbs (kg) Electric / Gas	160 (73) / 165 (75)
Machine Width inch (mm)	26.88 (683)
Machine Depth inch (mm)	28 (711)
Machine Height inch (mm)	40.75 (1030)
Door Opening inch (mm)	20.5 (521)
Shipping Dimensions inch (mm) (WxDxH)	29.5 x 30.5 x 45 (749 x 775 x 1143)
Exhaust Diameter inch (mm)	4 (102)
Exhaust Air Flow cfm (m ³ /h)	220 (374)
Cylinder Motor Power Hp	1/3
Gas Heating BTU/h (kcal/h)	25,000 (6300)
Gas Inlet Diameter inch	3/8 NPT



* Modified Energy Factor (MEF) measures the amount of energy used per gallon of water per cycle. Water Consumption Factor (WCF) measures the gallons of water per cycle used. Net MEF and WCF include the amount of energy used to heat the water. (OUR testing standards may be different in other countries.)
 † Product specifications are subject to change without notice. For the most current and complete information, please contact your local distributor or visit our website at www.ecolab.com.

CONTINENTAL GIRBAU INC. & GIRBAU GROUP

Continental Girbau Inc. (Continental) was established in 1995 as the North American subsidiary of the commercial laundry equipment manufacturer, Girbau Group, headquartered in Vic, Spain. Family owned, Girbau employs more than 600 people throughout its corporate headquarters in Vic and 14 subsidiaries throughout the world. It markets its industrial and commercial laundry products to more than 90 countries worldwide.

THE TOTAL LAUNDRY SOLUTION

Continental delivers the total laundry solution to vended, on-premise and industrial laundries throughout North America. As the provider of highly-efficient batch tunnel washers, washer-extractors, drying tumblers, feeders, ironers, folders and related machinery, Continental serves the complete laundry production and efficiency needs of virtually any application. Proven durable and reliable, Continental laundry systems are engineered for unrivaled productivity, efficiency and ease of use.

OUR MISSION: YOUR SUCCESS

Continental's mantra – "Our Mission: Your Success" – reflects the company's commitment to its distributors and customers. We offer robust laundry systems backed by unrivaled customer care.

WARRANTY

Backed by an industry-leading ContinentalCare™ warranty E-Series Washer-Extractors and Drying Tumblers are built to last.

SIZING & CONFIGURATION

Every laundry operation is unique, with a distinctive set of production and efficiency goals. Uniquely, E-Series Washer-Extractors and Drying Tumblers offer the flexibility and programmability to meet any need—boosting production and lowering labor, water and energy usage. Continental's team of experts work closely with facilities to properly size equipment for improved laundry room efficiency and productivity.

FINANCING

Financing allows you to retain full ownership of your business and its assets while helping to preserve your cash, liquidity and revolving lines of credit for emergency use, working capital and other investments. Through CustomSelect™ Financing, Continental Girbau offers flexible financing and competitive fixed rates to all qualifying applicants.

ENVIRONMENTALLY FRIENDLY

Continental laundry products meet rigorous environmental and safety standards established by the International Organization for Standardization (ISO). Ever focused on laundry efficiency, Continental Girbau is a member of the U.S. Green Building Council (USGBC), a 501(c)(3) nonprofit that developed the Leadership in Energy and Environmental Design (LEED) Green Building Rating System.



CONTINENTALCARE™
BUY WITH COMPLETE CONFIDENCE
INDUSTRY-LEADING FACTORY WARRANTY



DISTRIBUTED BY:



www.continentalgirbau.com • 800-256-1073
2500 State Road 44 • Oshkosh, WI 54904 • 920-231-8222 • Fax 920-231-4666