



Purchasing Division
 2019 Washington Street East
 Post Office Box 50130
 Charleston, WV 25305-0130

State of West Virginia
 Request for Quotation

Proc Folder: 84222

Doc Description: GALVANIZED STRUCTURAL STEEL

Proc Type: Central Purchase Order

Date Issued	Solicitation Closes	Solicitation No	Version
2015-03-24	2015-04-15 13:30:00	CRFQ 0803 DOT1500000077	1

BID RECEIVING LOCATION

BID CLERK
 DEPARTMENT OF ADMINISTRATION
 PURCHASING DIVISION
 2019 WASHINGTON ST E
 CHARLESTON WV 25305
 US

VENDOR

Vendor Name, Address and Telephone Number:

CHARLESTON STEEL
 P.O. BOX 547
 DUNBAR, WV. 25064
 PHONE - 304-766-6607

04/15/15 10:12:07
 WV Purchasing Division

FOR INFORMATION CONTACT THE BUYER

Misty DeLong
 (304) 558-8802
 misty.m.delong@wv.gov

Signature X *DENNIS NICHOLAS* DENNIS NICHOLAS FEIN # 20-5496272 DATE 4/14/15

All offers subject to all terms and conditions contained in this solicitation

INVOICE TO		SHIP TO	
DIVISION OF HIGHWAYS DISTRICT EIGHT 1101 NORTH RANDOLPH AVE ELKINS WV26241 US		STATE OF WEST VIRGINIA JOBSITE - SEE SPECIFICATIONS No City WV 99999 US	

Line	Comm Ln Desc	Qty	Unit Issue	Unit Price	Total Price
1	GALVANIZED STRUCTURAL STEEL	6102.00000	LB	.95	\$ 5796.90

Comm Code	Manufacturer	Specification	Model #
11101704			

Extended Description :
 W16 X 100 GALVANIZED W-SHAPED STRUCTURAL STEEL, AASHTO M270, GRADE 50
 SHIP 2 PIECES AT 30'-6 1/8" FABRICATED IN ACCORDANCE WITH EXHIBIT B

INVOICE TO		SHIP TO	
DIVISION OF HIGHWAYS DISTRICT EIGHT 1101 NORTH RANDOLPH AVE ELKINS WV26241 US		STATE OF WEST VIRGINIA JOBSITE - SEE SPECIFICATIONS No City WV 99999 US	

Line	Comm Ln Desc	Qty	Unit Issue	Unit Price	Total Price
2	GALVANIZED STRUCTURAL STEEL	7048.00000	LB	.97	\$ 6836.56

Comm Code	Manufacturer	Specification	Model #
11101704			

Extended Description :
 W16X77, GALVANIZED W-SHAPED STRUCTURAL STEEL,
 AASHTO M270, GRADE 50
 SHIP 3 PIECES AT 30' - 6 1/8" FABRICATED IN ACCORDANCE WITH EXHIBIT C

INVOICE TO		SHIP TO	
DIVISION OF HIGHWAYS DISTRICT EIGHT 1101 NORTH RANDOLPH AVE ELKINS WV26241 US		STATE OF WEST VIRGINIA JOBSITE - SEE SPECIFICATIONS No City WV 99999 US	

Line	Comm Ln Desc	Qty	Unit Issue	Unit Price	Total Price
3	GALVANIZED STRUCTURAL STEEL	6090.00000	LB	.96	\$5846.40

Comm Code	Manufacturer	Specification	Model #
11101704			

Extended Description :

W16X100, GALVANIZED W-SHAPED STRUCTURAL STEEL, AASHTO M270, GRADE 50
SHIP 2 PIECES AT 30'-5 3/8" FABRICATED IN ACCORDANCE WITH EXHIBIT D

INVOICE TO		SHIP TO	
DIVISION OF HIGHWAYS DISTRICT EIGHT 1101 NORTH RANDOLPH AVE ELKINS WV26241 US		STATE OF WEST VIRGINIA JOBSITE - SEE SPECIFICATIONS No City WV 99999 US	

Line	Comm Ln Desc	Qty	Unit Issue	Unit Price	Total Price
4	GALVANIZED STRUCTURAL STEEL	7033.00000	LB	.97	\$6822.01

Comm Code	Manufacturer	Specification	Model #
11101704			

Extended Description :

W16X77, GALVANIZED W-SHAPED STRUCTURAL STEEL,
AASHTO M270, GRADE 50

SHIP 3 PIECES AT 30' - 5 3/8" FABRICATED IN ACCORDANCE WITH EXHIBIT E

INVOICE TO		SHIP TO	
DIVISION OF HIGHWAYS DISTRICT EIGHT 1101 NORTH RANDOLPH AVE ELKINS WV26241 US		STATE OF WEST VIRGINIA JOBSITE - SEE SPECIFICATIONS No City WV 99999 US	

Line	Comm Ln Desc	Qty	Unit Issue	Unit Price	Total Price
5	GALVANIZED STRUCTURAL STEEL	2457.00000	LB	1.03	\$2530.71

Comm Code	Manufacturer	Specification	Model #
11101704			

Extended Description :

HSS 6" X 6" X 1/2", GALVANIZED STRUCTURAL STEEL TUBING, (35.1#/LF), ASTM 500

SHIP 4 PIECES AT 17'-6" FABRICATED IN ACCORDANCE WITH EXHIBIT F

INVOICE TO		SHIP TO	
DIVISION OF HIGHWAYS DISTRICT EIGHT 1101 NORTH RANDOLPH AVE ELKINS WV26241 US		STATE OF WEST VIRGINIA JOBSITE - SEE SPECIFICATIONS No City WV 99999 US	

Line	Comm Ln Desc	Qty	Unit Issue	Unit Price	Total Price
6	GALVANIZED STRUCTURAL STEEL	481.00000	LB	2.08	\$ 1000.48

Comm Code	Manufacturer	Specification	Model #
11101704			

Extended Description :

3/4" X 6" GALVANIZED STRUCTURAL STEEL BAR, (15.3#/LF), AASHTO M270, GRADE 50,

SHIP 2 PIECES AT 15' - 8 3/4" FABRICATED IN ACCORDANCE WITH EXHIBIT G

INVOICE TO		SHIP TO	
DIVISION OF HIGHWAYS DISTRICT EIGHT 1101 NORTH RANDOLPH AVE ELKINS WV26241 US		STATE OF WEST VIRGINIA JOBSITE - SEE SPECIFICATIONS No City WV 99999 US	

Line	Comm Ln Desc	Qty	Unit Issue	Unit Price	Total Price
7	GALVANIZED STRUCTURAL STEEL	163.00000	LB	2.25	\$ 366.75

Comm Code	Manufacturer	Specification	Model #
11101704			

Extended Description :

3/4" X 6" GALVANIZED STRUCTURAL STEEL BAR, (15.3#/LF), AASHTO M270, GRADE 50

SHIP 4 PIECES AT 2'-8" FABRICATED IN ACCORDANCE WITH EXHIBIT H MARK P2

INVOICE TO		SHIP TO	
DIVISION OF HIGHWAYS DISTRICT EIGHT 1101 NORTH RANDOLPH AVE ELKINS WV26241 US		STATE OF WEST VIRGINIA JOBSITE - SEE SPECIFICATIONS No City WV 99999 US	

Line	Comm Ln Desc	Qty	Unit Issue	Unit Price	Total Price
8	GALVANIZED STRUCTURAL STEEL	286.00000	LB	2.75	\$ 786.50

Comm Code	Manufacturer	Specification	Model #
11101704			

Extended Description :

1 1/2" X 6" GALVANIZED STRUCTURAL STEEL BAR, (30.6#/LF),
AASHTO M270, GRADE 50

SHIP 4 PIECE AT 2'-4" FABRICATED IN ACCORDANCE WITH EXHIBIT H MARK P1

INVOICE TO		SHIP TO	
DIVISION OF HIGHWAYS DISTRICT EIGHT 1101 NORTH RANDOLPH AVE ELKINS WV26241 US		STATE OF WEST VIRGINIA JOBSITE - SEE SPECIFICATIONS No City WV 99999 US	

Line	Comm Ln Desc	Qty	Unit Issue	Unit Price	Total Price
9	GALVANIZED STRUCTURAL STEEL	530.00000	LB	2.60	\$ 1378.00

Comm Code	Manufacturer	Specification	Model #
11101704			

Extended Description :

1 1/4" X 6" GALVANIZED STRUCTURAL STEEL BAR, (25.5 #/LF),
AASHTO M270, GRADE 50

SHIP 2 PIECES AT 10'-4 3/4" FABRICATED IN ACCORDANCE WITH EXHIBIT I MARK M3

INVOICE TO		SHIP TO	
DIVISION OF HIGHWAYS DISTRICT EIGHT 1101 NORTH RANDOLPH AVE ELKINS WV26241 US		STATE OF WEST VIRGINIA JOBSITE - SEE SPECIFICATIONS No City WV 99999 US	

Line	Comm Ln Desc	Qty	Unit Issue	Unit Price	Total Price
10	GALVANIZED STRUCTURAL STEEL	848.00000	LB	1.68	\$ 1424.64

Comm Code	Manufacturer	Specification	Model #
11101704			

Extended Description :

2" X 6" GALVANIZED STRUCTURAL STEEL BAR, (40.8#/LF)
AASHTO M270, GRADE 50

SHIP 2 PICES AT 10' - 4 3/4" FABRICATED IN ACCORDANCE WITH EXHIBIT I MARK M4

INVOICE TO		SHIP TO	
DIVISION OF HIGHWAYS DISTRICT EIGHT 1101 NORTH RANDOLPH AVE ELKINS WV26241 US		STATE OF WEST VIRGINIA JOBSITE - SEE SPECIFICATIONS No City WV 99999 US	

Line	Comm Ln Desc	Qty	Unit Issue	Unit Price	Total Price
11	GALVANIZED STRUCTURAL STEEL	533.00000	LB	1.96	\$ 1044.68

Comm Code	Manufacturer	Specification	Model #
11101704			

Extended Description :
 L4*X4*X1/2" (12.8#/LF) GALVANIZED STRUCTURAL STEEL ANGLE,
 AASHTO M270, GRADE 50
 SHIP 50 PIECES AT 10" FABRICATED IN ACCORDANCE WITH EXHIBIT J

INVOICE TO		SHIP TO	
DIVISION OF HIGHWAYS DISTRICT EIGHT 1101 NORTH RANDOLPH AVE ELKINS WV26241 US		STATE OF WEST VIRGINIA JOBSITE - SEE SPECIFICATIONS No City WV 99999 US	

Line	Comm Ln Desc	Qty	Unit Issue	Unit Price	Total Price
12	GALVANIZED STRUCTURAL STEEL	107.00000	LB	1.98	\$ 211.86

Comm Code	Manufacturer	Specification	Model #
11101704			

Extended Description :
 L4*X4*X1/2" (12.8#/LF) GALVANIZED STRUCTURAL STEEL ANGLE,
 AASHTO M270, GRADE 50,
 SHIP 10 PIECES AT 10" FABRICATED IN ACCORDANCE WITH EXHIBIT K

INVOICE TO		SHIP TO	
DIVISION OF HIGHWAYS DISTRICT EIGHT 1101 NORTH RANDOLPH AVE ELKINS WV26241 US		STATE OF WEST VIRGINIA JOBSITE - SEE SPECIFICATIONS No City WV 99999 US	

Line	Comm Ln Desc	Qty	Unit Issue	Unit Price	Total Price
13	GALVANIZED STRUCTURAL STEEL	2500.00000	LB	1.02	\$ 2550.00

Comm Code	Manufacturer	Specification	Model #
11101704			

Extended Description :

W6X25, GALVANIZED W-SHAPED STRUCTURAL STEEL,
AASHTO M270, GRADE 50

SHIP 5 PIECES AT 20'-0"

INVOICE TO		SHIP TO	
DIVISION OF HIGHWAYS DISTRICT EIGHT 1101 NORTH RANDOLPH AVE ELKINS WV26241 US		STATE OF WEST VIRGINIA JOBSITE - SEE SPECIFICATIONS No City WV 99999 US	

Line	Comm Ln Desc	Qty	Unit Issue	Unit Price	Total Price
14	GALVANIZED STRUCTURAL STEEL	1500.00000	LB	1.18	\$ 1770.00

Comm Code	Manufacturer	Specification	Model #
11101704			

Extended Description :

C10X25, GALVANIZED STRUCTURAL STEEL CHANNEL,
AASHTO M270, GRADE 50

SHIP 3 PIECES AT 20'-0"

TOTAL \$ 38,365.49


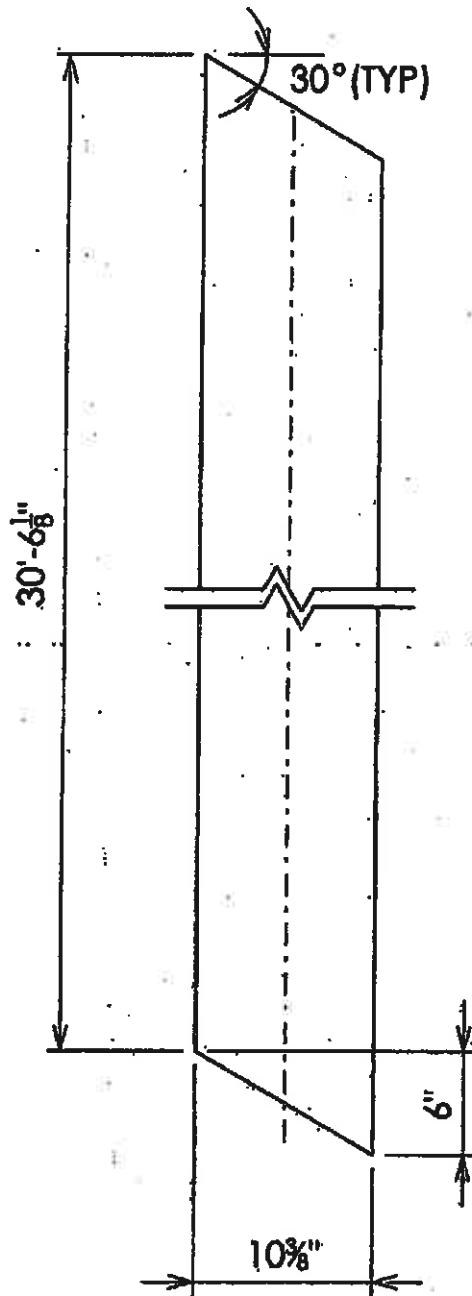
Pricing Page					
Item Number	Quantity	Unit of Measure	Description	Unit Cost	Total
1	6102	lb	W16x100, Galvanized W-shaped Structural Steel, AASHTO M270, Grade 50 Ship 2 pcs @ 30'-6 1/8" fabricated in accordance with Exhibit B	.95	-\$0.00 \$ 5796.90
2	7048	lb	W16x77, Galvanized W-shaped Structural Steel, AASHTO M270, Grade 50 Ship 3 pcs @ 30'-6 1/8" fabricated in accordance with Exhibit C	.97	-\$0.00 \$ 6836.56
3	6090	lb	W16x100, Galvanized W-shaped Structural Steel, AASHTO M270, Grade 50 Ship 2 pcs @ 30'-5 3/8" fabricated in accordance with Exhibit D	.96	-\$0.00 \$ 5846.40
4	7033	lb	W16x77, Galvanized W-shaped Structural Steel, AASHTO M270, Grade 50 Ship 3 pcs @ 30'-5 3/8" fabricated in accordance with Exhibit E	.97	-\$0.00 \$ 6822.01
5	2457	lb	HSS 6"x6"x 1/2", Galvanized Structural Steel Tubing, (35.1#/LF), ASTM 500 Ship 4 pcs @ 17'-6" fabricated in accordance with Exhibit F	1.03	-\$0.00 \$ 2530.71
6	481	lb	3/4" x 6" Galvanized Structural Steel Bar, (15.3 #/LF), AASHTO M270, Grade 50 Ship 2 pcs @ 15'-8 3/4" fabricated in accordance with Exhibit G	2.08	-\$0.00 \$ 1000.48
7	163	lb	3/4" x 6" Galvanized Structural Steel Bar, (15.3 #/LF), AASHTO M270, Grade 50 Ship 4 pcs @ 2'-8" fabricated in accordance with Exhibit H Mark P2	2.25	-\$0.00 \$ 366.75
8	286	lb	1 1/2" x 6" Galvanized Structural Steel Bar, (30.6 #/LF), AASHTO M270, Grade 50 Ship 4 pcs @ 2'-4" fabricated in accordance with Exhibit H Mark P1	2.75	-\$0.00 \$ 786.50
9	530	lb	1 1/4" x 6" Galvanized Structural Steel Bar, (25.5 #/LF), AASHTO M270, Grade 50 Ship 2 pcs @ 10'-4 3/4" fabricated in accordance with Exhibit I Mark M3	2.60	-\$0.00 \$ 1378.00
10	848	lb	2" x 6" Galvanized Structural Steel Bar, (40.8 #/LF), AASHTO M270, Grade 50 Ship 2 pcs @ 10'-4 3/4" Fabricated in accordance with Exhibit I Mark M4	1.68	-\$0.00 \$ 1424.64
11	533	lb	L4"x4"x1/2" (12.8 #/LF) Galvanized Structural Steel Angle, AASHTO M270, Grade 50 Ship 50 pcs @ 10" fabricated in accordance with Exhibit J	1.96	-\$0.00 \$ 1044.68
12	107	lb	L4"x4"x1/2" (12.8 #/LF) Galvanized Structural Steel Angle, AASHTO M270, Grade 50 Ship 10 pcs @ 10" fabricated in accordance with Exhibit K	1.98	-\$0.00 \$ 211.86
13	2500	lb	W6x25, Galvanized W-shaped Structural Steel, AASHTO M270, Grade 50 Ship 5 pcs @ 20'-0"	1.02	-\$0.00 \$ 2550.00
14	1500	lb	C10x25, Galvanized Structural Steel Channel, AASHTO M270, Grade 50 Ship 3 pcs @ 20'-0"	1.18	-\$0.00 \$ 1770.00
	35,678	lb	Grand Total 		-\$0.00 \$ 38,365.49
					\$

Exhibit B

WV DEPT. OF TRANSPORTATION - DIVISION OF HIGHWAYS
DISTRICT 8, P.O. BOX 1516
ELKINS, WV 26241



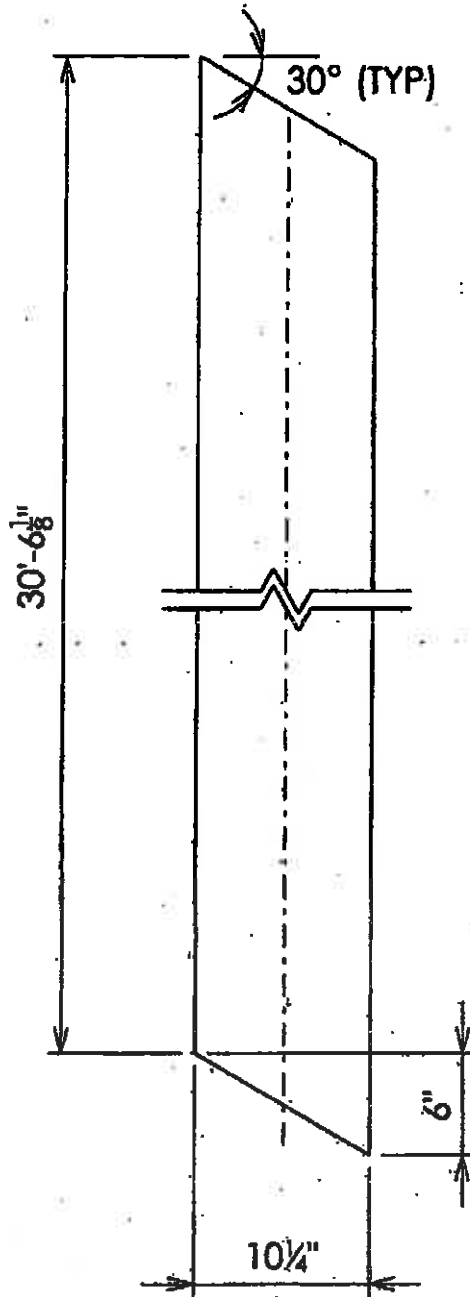
GALVANIZED W16x100 BEAM (Grade 50)

: 2 Required

GALVANIZE IN ACCORDANCE WITH AASHTO M111

Exhibit C

WV DEPT. OF TRANSPORTATION - DIVISION OF HIGHWAYS
DISTRICT 8, P.O. BOX 1516
ELKINS, WV 26241



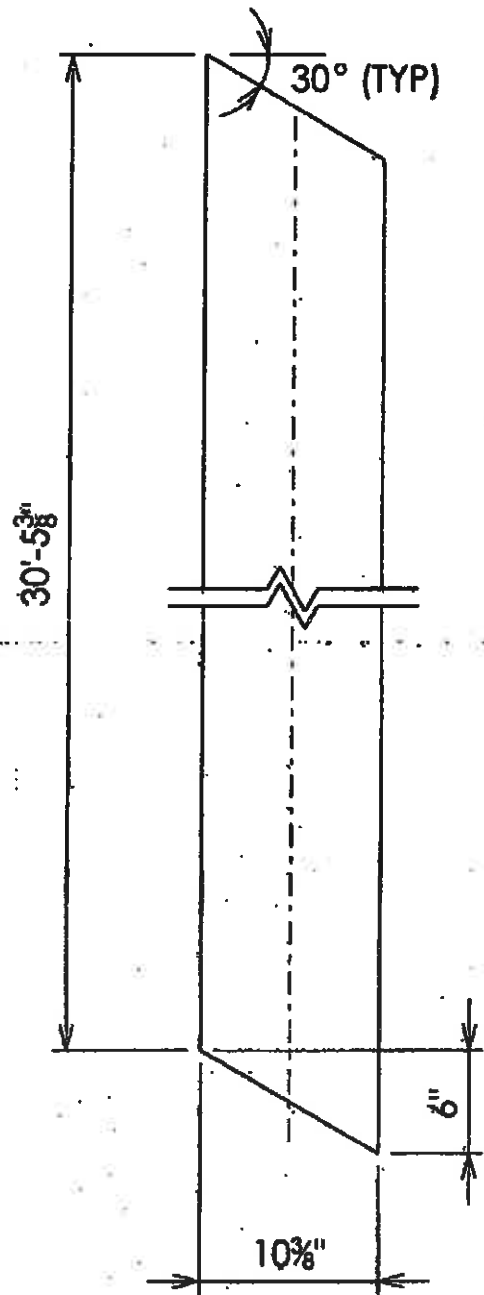
GALVANIZED W16x77 BEAM (Grade 50)

3 Required

GALVANIZE IN ACCORDANCE WITH AASHTO M111

Exhibit D

WV DEPT. OF TRANSPORTATION - DIVISION OF HIGHWAYS
DISTRICT 8, P.O. BOX 1516
ELKINS, WV 26241

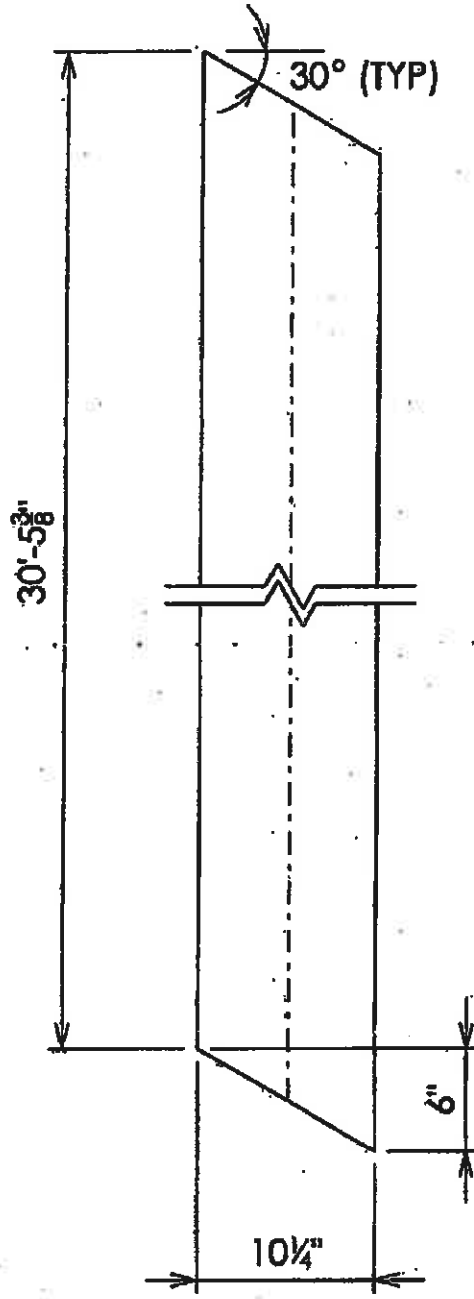


GALVANIZED W16x100 BEAM (Grade 50)

2 Required

GALVANIZE IN ACCORDANCE WITH AASHTO M111

WV DEPT. OF TRANSPORTATION - DIVISION OF HIGHWAYS
DISTRICT 8, P.O. BOX 1516
ELKINS, WV 26241



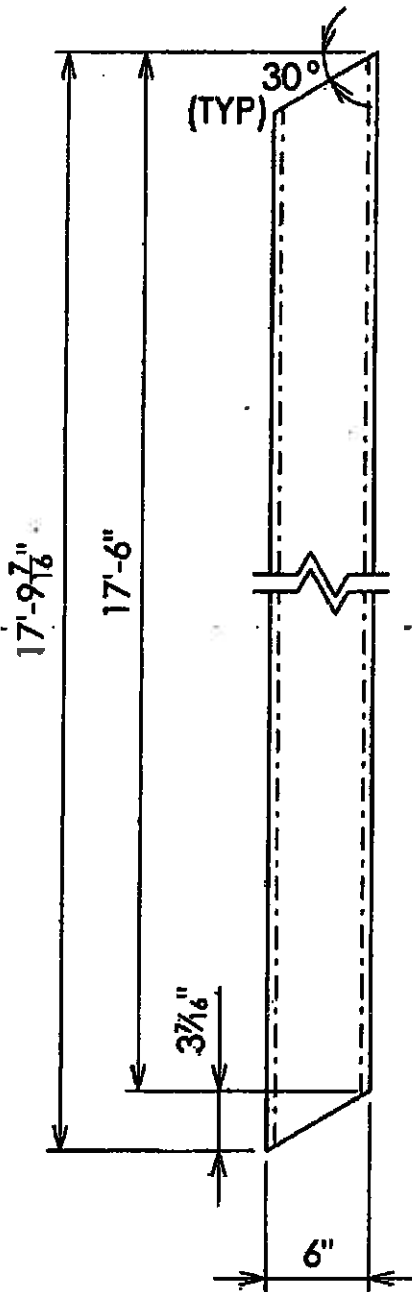
GALVANIZED W16x77 BEAM (Grade 50)

3 Required

GALVANIZE IN ACCORDANCE WITH AASHTO M111

Exhibit F

WV DEPT. OF TRANSPORTATION - DIVISION OF HIGHWAYS
DISTRICT 8, P.O. BOX 1516
ELKINS, WV 26241

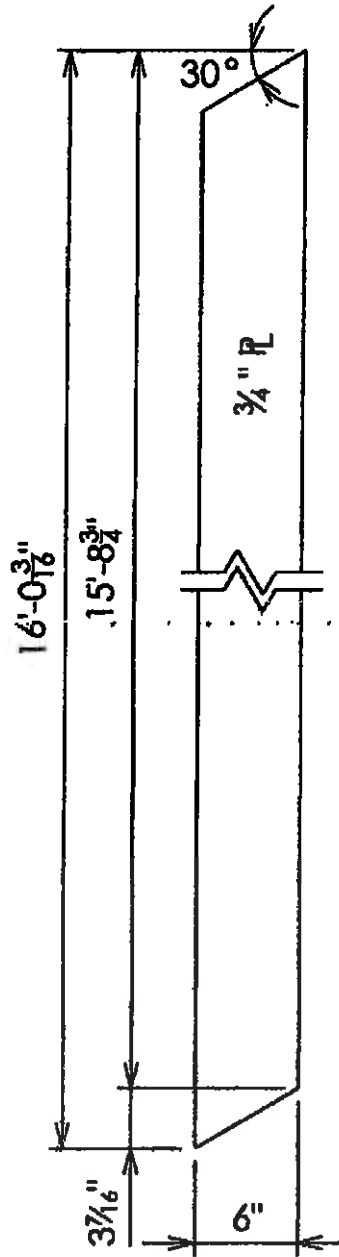


GALVANIZED 6"x6"x 1/2" TUBING (ASTM A500)

4 Required

GALVANIZE IN ACCORDANCE WITH AASHTO M117

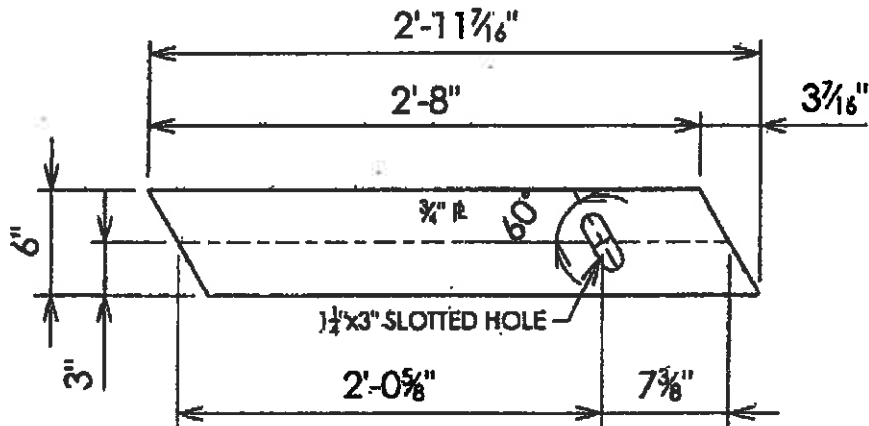
WV DEPT. OF TRANSPORTATION - DIVISION OF HIGHWAYS
DISTRICT 8, P.O. BOX 1516
ELKINS, WV 26241



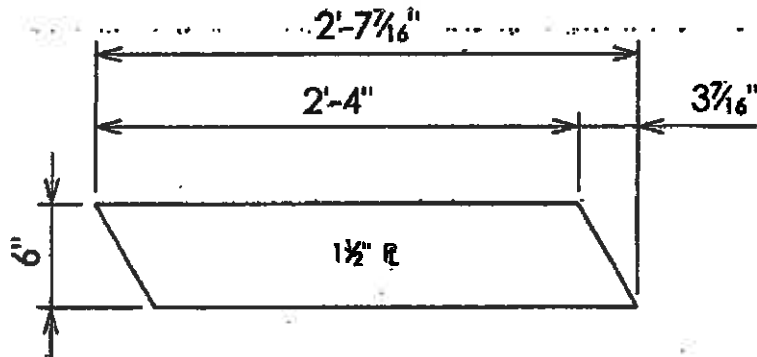
GALVANIZED 3/4" PLATE - MARK M1
2 Required

GALVANIZE IN ACCORDANCE WITH AASHTO M111

WV DEPT. OF TRANSPORTATION - DIVISION OF HIGHWAYS
DISTRICT 8, P.O. BOX 1516
ELKINS, WV 26241



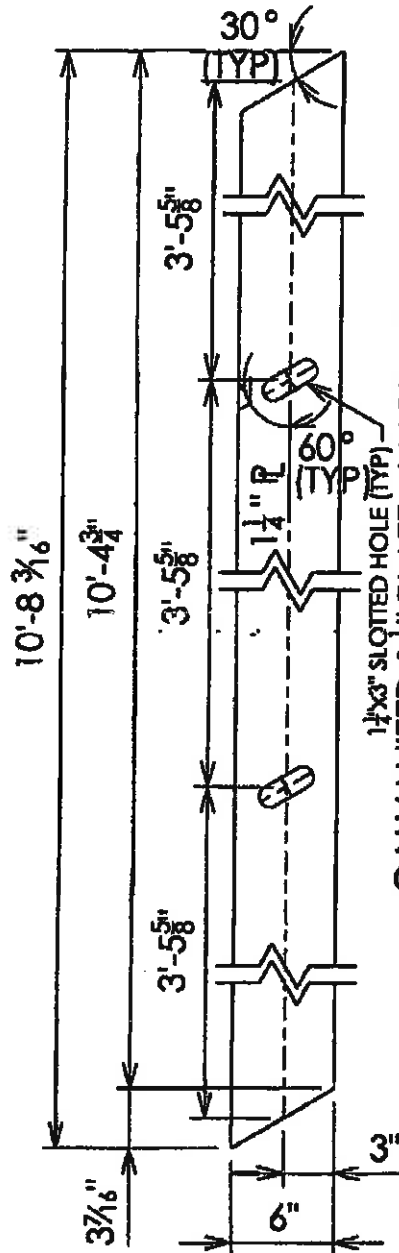
GALVANIZED $\frac{3}{4}"$ PLATE - MARK P2
(4 Required)



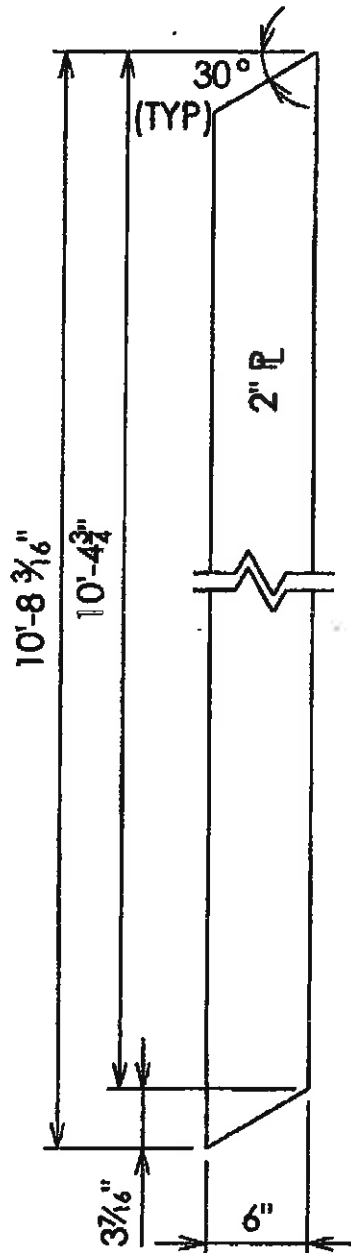
GALVANIZED $1\frac{1}{2}"$ PLATE - MARK P1
(4 Required)

GALVANIZE IN ACCORDANCE
WITH AASHTO M111

WV DEPT. OF TRANSPORTATION - DIVISION OF HIGHWAYS
DISTRICT 8, P.O. BOX 1516
ELKINS, WV 26241



1 1/4" SLOTTED HOLE (TYP)
GALVANIZED 1 1/4" PLATE - MARK M3
2 Required



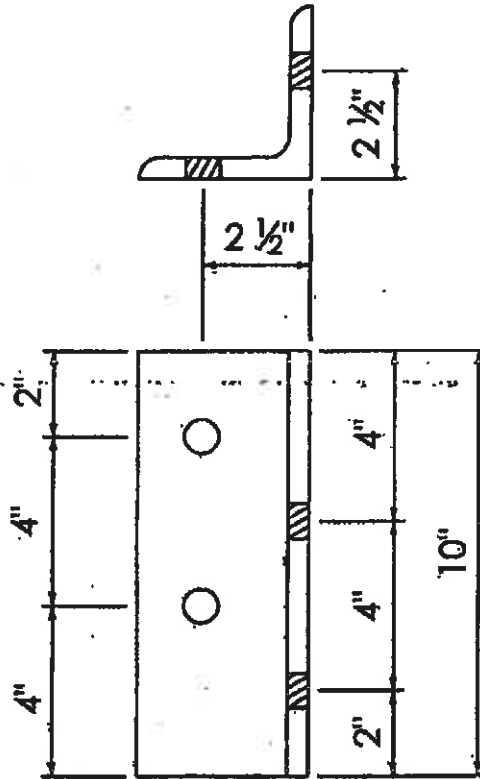
GALVANIZED 2" PLATE - MARK M4
2 Required

GALVANIZE IN ACCORDANCE WITH AASHTO M111

Exhibit J

WV DEPT. OF TRANSPORTATION - DIVISION OF HIGHWAYS
DISTRICT 8, P.O. BOX 1516
ELKINS, WV 26241

ALL HOLES $1\frac{3}{16}$ " DIAMETER



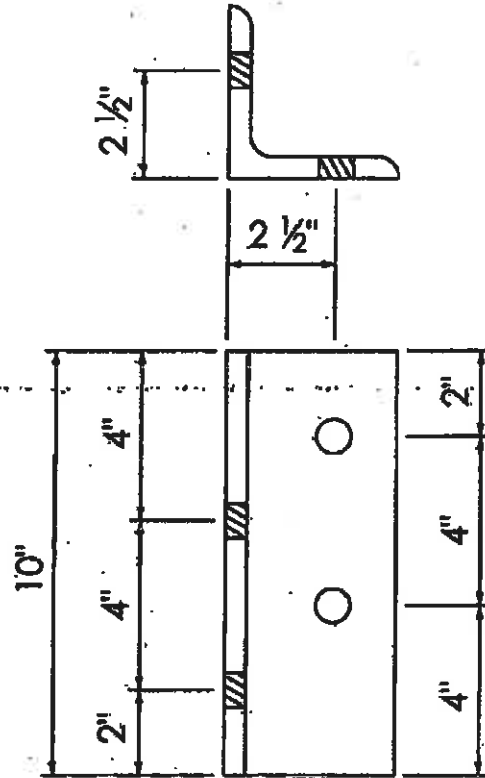
GALVANIZED CLIP ANGLE

ANGLE 4" x 4" x 1/2" - 50 REQUIRED

GALVANIZE IN ACCORDANCE WITH AASHTO M111

WV DEPT. OF TRANSPORTATION - DIVISION OF HIGHWAYS
DISTRICT 8, P.O. BOX 1516
ELKINS, WV 26241

ALL HOLES $1\frac{3}{16}$ " DIAMETER



GALVANIZED CLIP ANGLE

ANGLE 4" x 4" x 1/2" - 10 REQUIRED

GALVANIZE IN ACCORDANCE WITH AASHTO M111

State of West Virginia
VENDOR PREFERENCE CERTIFICATE

Certification and application* is hereby made for Preference in accordance with **West Virginia Code**, §5A-3-37. (Does not apply to construction contracts). **West Virginia Code**, §5A-3-37, provides an opportunity for qualifying vendors to request (at the time of bid) preference for their residency status. Such preference is an evaluation method only and will be applied only to the cost bid in accordance with the **West Virginia Code**. This certificate for application is to be used to request such preference. The Purchasing Division will make the determination of the Vendor Preference, if applicable.

1. Application is made for 2.5% vendor preference for the reason checked:

Bidder is an individual resident vendor and has resided continuously in West Virginia for four (4) years immediately preceding the date of this certification; **or,**

Bidder is a partnership, association or corporation resident vendor and has maintained its headquarters or principal place of business continuously in West Virginia for four (4) years immediately preceding the date of this certification; or 80% of the ownership interest of Bidder is held by another individual, partnership, association or corporation resident vendor who has maintained its headquarters or principal place of business continuously in West Virginia for four (4) years immediately preceding the date of this certification; **or,**

Bidder is a nonresident vendor which has an affiliate or subsidiary which employs a minimum of one hundred state residents and which has maintained its headquarters or principal place of business within West Virginia continuously for the four (4) years immediately preceding the date of this certification; **or,**

2. Application is made for 2.5% vendor preference for the reason checked:

Bidder is a resident vendor who certifies that, during the life of the contract, on average at least 75% of the employees working on the project being bid are residents of West Virginia who have resided in the state continuously for the two years immediately preceding submission of this bid; **or,**

3. Application is made for 2.5% vendor preference for the reason checked:

Bidder is a nonresident vendor employing a minimum of one hundred state residents or is a nonresident vendor with an affiliate or subsidiary which maintains its headquarters or principal place of business within West Virginia employing a minimum of one hundred state residents who certifies that, during the life of the contract, on average at least 75% of the employees or Bidder's affiliate's or subsidiary's employees are residents of West Virginia who have resided in the state continuously for the two years immediately preceding submission of this bid; **or,**

4. Application is made for 5% vendor preference for the reason checked:

Bidder meets either the requirement of both subdivisions (1) and (2) or subdivision (1) and (3) as stated above; **or,**

5. Application is made for 3.5% vendor preference who is a veteran for the reason checked:

Bidder is an individual resident vendor who is a veteran of the United States armed forces, the reserves or the National Guard and has resided in West Virginia continuously for the four years immediately preceding the date on which the bid is submitted; **or,**

6. Application is made for 3.5% vendor preference who is a veteran for the reason checked:

Bidder is a resident vendor who is a veteran of the United States armed forces, the reserves or the National Guard, if, for purposes of producing or distributing the commodities or completing the project which is the subject of the vendor's bid and continuously over the entire term of the project, on average at least seventy-five percent of the vendor's employees are residents of West Virginia who have resided in the state continuously for the two immediately preceding years.

7. Application is made for preference as a non-resident small, women- and minority-owned business, in accordance with West Virginia Code §5A-3-59 and West Virginia Code of State Rules.

Bidder has been or expects to be approved prior to contract award by the Purchasing Division as a certified small, women- and minority-owned business.

Bidder understands if the Secretary of Revenue determines that a Bidder receiving preference has failed to continue to meet the requirements for such preference, the Secretary may order the Director of Purchasing to: (a) reject the bid; or (b) assess a penalty against such Bidder in an amount not to exceed 5% of the bid amount and that such penalty will be paid to the contracting agency or deducted from any unpaid balance on the contract or purchase order.

By submission of this certificate, Bidder agrees to disclose any reasonably requested information to the Purchasing Division and authorizes the Department of Revenue to disclose to the Director of Purchasing appropriate information verifying that Bidder has paid the required business taxes, provided that such information does not contain the amounts of taxes paid nor any other information deemed by the Tax Commissioner to be confidential.

Under penalty of law for false swearing (West Virginia Code, §61-5-3), Bidder hereby certifies that this certificate is true and accurate in all respects; and that if a contract is issued to Bidder and if anything contained within this certificate changes during the term of the contract, Bidder will notify the Purchasing Division in writing immediately.

Bidder: CHARLESTON STEEL

Signed: Jennifer Schabas

Date: 4/14/2015

Title: Mgr. Warehouse Sales

STATE OF WEST VIRGINIA
Purchasing Division

PURCHASING AFFIDAVIT

MANDATE: Under W. Va. Code §5A-3-10a, no contract or renewal of any contract may be awarded by the state or any of its political subdivisions to any vendor or prospective vendor when the vendor or prospective vendor or a related party to the vendor or prospective vendor is a debtor and: (1) the debt owed is an amount greater than one thousand dollars in the aggregate; or (2) the debtor is in employer default.

EXCEPTION: The prohibition listed above does not apply where a vendor has contested any tax administered pursuant to chapter eleven of the W. Va. Code, workers' compensation premium, permit fee or environmental fee or assessment and the matter has not become final or where the vendor has entered into a payment plan or agreement and the vendor is not in default of any of the provisions of such plan or agreement.

DEFINITIONS:

"Debt" means any assessment, premium, penalty, fine, tax or other amount of money owed to the state or any of its political subdivisions because of a judgment, fine, permit violation, license assessment, defaulted workers' compensation premium, penalty or other assessment presently delinquent or due and required to be paid to the state or any of its political subdivisions, including any interest or additional penalties accrued thereon.

"Employer default" means having an outstanding balance or liability to the old fund or to the uninsured employers' fund or being in policy default, as defined in W. Va. Code § 23-2c-2, failure to maintain mandatory workers' compensation coverage, or failure to fully meet its obligations as a workers' compensation self-insured employer. An employer is not in employer default if it has entered into a repayment agreement with the Insurance Commissioner and remains in compliance with the obligations under the repayment agreement.

"Related party" means a party, whether an individual, corporation, partnership, association, limited liability company or any other form or business association or other entity whatsoever, related to any vendor by blood, marriage, ownership or contract through which the party has a relationship of ownership or other interest with the vendor so that the party will actually or by effect receive or control a portion of the benefit, profit, or other consideration from performance of a vendor contract with the party receiving an amount that meets or exceeds five percent of the total contract amount.

AFFIRMATION: By signing this form, the vendor's authorized signer affirms and acknowledges under penalty of law for false swearing (W. Va. Code §61-5-3) that neither vendor nor any related party owe a debt as defined above and that neither vendor nor any related party are in employer default as defined above, unless the debt or employer default is permitted under the exception above.

WITNESS THE FOLLOWING SIGNATURE:

Vendor's Name: CHARLESTON STEEL

Authorized Signature: Dennis Nicholas Date: 4/14/15

State of WEST VIRGINIA

County of KANAWHA, to-wit:

Taken, subscribed, and sworn to before me this 14TH day of APRIL, 2015

My Commission expires JANUARY 30, 2021.

AFFIX SEAL HERE

NOTARY PUBLIC

John E. Goetz, IV
Purchasing Affidavit (Revised 07/01/2012)

