



Purchasing Division  
 2019 Washington Street East  
 Post Office Box 50130  
 Charleston, WV 25305-0130

State of West Virginia  
 Request for Quotation

Proc Folder: 52806  
 Doc Description: CULVERT PIPE LINER AND CULVERT INLET BELLS  
 Proc Type: Central Master Agreement

Date Issued	Solicitation Closes	Solicitation No	Version
2014-12-04	2015-01-07 13:30:00	CRFQ 0803 DOT1500000019	2

**BID RECEIVING LOCATION**

BID CLERK  
 DEPARTMENT OF ADMINISTRATION  
 PURCHASING DIVISION  
 2019 WASHINGTON ST E  
 CHARLESTON WV 25305  
 US

**VENDOR**

Vendor Name, Address and Telephone Number:

Contech Engineered Solutions LLC  
 912 Weimer Avenue  
 St. Albans WV 25177  
 304-545-7285

01/07/15 12:10:26  
 West Virginia Purchasing Division

**FOR INFORMATION CONTACT THE BUYER**

Angela Moorman  
 (304) 558-9427  
 angie.j.moorman@wv.gov

Signature X

FEIN #

31-1177165

DATE

1-6-15

All offers subject to all terms and conditions contained in this solicitation

INVOICE TO		SHIP TO	
ALL STATE AGENCIES VARIOUS LOCATIONS AS INDICATED BY ORDER		STATE OF WEST VIRGINIA VARIOUS LOCATIONS AS INDICATED BY ORDER	
No City	WV99999	No City	WV 99999
US		US	

Line	Comm Ln Desc	Qty	Unit Issue	Unit Price	Total Price
1	OUTSIDE DIAMETER OF LINER 10.75" X 21' LENGTH	10.00000	FT	\$13.26	\$2784.60

Comm Code	Manufacturer	Specification	Model #
40171500	International Pipe Consultants & Sales, Inc.	AASHTO M326-08	

Extended Description :  
OUTSIDE DIAMETER OF LINER 10.75" X 21' LENGTH

INVOICE TO		SHIP TO	
ALL STATE AGENCIES VARIOUS LOCATIONS AS INDICATED BY ORDER		STATE OF WEST VIRGINIA VARIOUS LOCATIONS AS INDICATED BY ORDER	
No City	WV99999	No City	WV 99999
US		US	

Line	Comm Ln Desc	Qty	Unit Issue	Unit Price	Total Price
2	OUTSIDE DIAMETER OF LINER 12.75" X 21' LENGTH	10.00000	FT	\$17.07	\$3584.70

Comm Code	Manufacturer	Specification	Model #
40171500	International Pipe Consultants & Sales, Inc.	AASHTO M326-08	

Extended Description :  
OUTSIDE DIAMETER OF LINER 12.75" X 21' LENGTH

INVOICE TO		SHIP TO	
ALL STATE AGENCIES VARIOUS LOCATIONS AS INDICATED BY ORDER		STATE OF WEST VIRGINIA VARIOUS LOCATIONS AS INDICATED BY ORDER	
No City	WV99999	No City	WV 99999
US		US	

Line	Comm Ln Desc	Qty	Unit Issue	Unit Price	Total Price
3	OUTSIDE DIAMETER OF LINER 14" X 21' LENGTH	10.00000	FT	\$19.29	\$4050.90

Comm Code	Manufacturer	Specification	Model #
40171500	International Pipe Consultants & Sales, Inc.	AASHTO M326-08	

Extended Description :  
OUTSIDE DIAMETER OF LINER  
14" X 21' LENGTH

INVOICE TO	SHIP TO
ALL STATE AGENCIES VARIOUS LOCATIONS AS INDICATED BY ORDER	STATE OF WEST VIRGINIA VARIOUS LOCATIONS AS INDICATED BY ORDER
No City                                WV99999	No City                                WV 99999
US	US

Line	Comm Ln Desc	Qty	Unit Issue	Unit Price	Total Price
4	OUTSIDE DIAMETER OF LINER 16" X 21' LENGTH	10.00000	FT	\$23.45	\$4924.50

Comm Code	Manufacturer	Specification	Model #
40171500	International Pipe Consultants & Sales, Inc.	AASHTO M326-08	

Extended Description :  
OUTSIDE DIAMETER OF LINER  
16 X 21' LENGTH

INVOICE TO	SHIP TO
ALL STATE AGENCIES VARIOUS LOCATIONS AS INDICATED BY ORDER	STATE OF WEST VIRGINIA VARIOUS LOCATIONS AS INDICATED BY ORDER
No City                                WV99999	No City                                WV 99999
US	US

Line	Comm Ln Desc	Qty	Unit Issue	Unit Price	Total Price
5	OUTSIDE DIAMETER OF LINER 18' X 21' LENGTH	10.00000	FT	\$28.39	\$5961.90

Comm Code	Manufacturer	Specification	Model #
40171500	International Pipe Consultants & Sales, Inc.	AASHTO M326-08	

Extended Description :  
OUTSIDE DIAMETER OF LINER  
18" X 21' LENGTH

INVOICE TO		SHIP TO	
ALL STATE AGENCIES VARIOUS LOCATIONS AS INDICATED BY ORDER		STATE OF WEST VIRGINIA VARIOUS LOCATIONS AS INDICATED BY ORDER	
No City	WV99999	No City	WV 99999
US		US	

Line	Comm Ln Desc	Qty	Unit Issue	Unit Price	Total Price
6	OUTSIDE DIAMETER OF LINER 20" x 24' LENGTH	10.00000	FT	\$37.95	\$9108.00

Comm Code	Manufacturer	Specification	Model #
40171500	International Pipe Consultants & Sales, Inc.	AASHTO M326-08	

Extended Description :  
OUTSIDE DIAMETER OF LINER  
20" x 24' LENGTH

INVOICE TO		SHIP TO	
ALL STATE AGENCIES VARIOUS LOCATIONS AS INDICATED BY ORDER		STATE OF WEST VIRGINIA VARIOUS LOCATIONS AS INDICATED BY ORDER	
No City	WV99999	No City	WV 99999
US		US	

Line	Comm Ln Desc	Qty	Unit Issue	Unit Price	Total Price
7	OUTSIDE DIAMETER OF LINER 22" x 24' LENGTH	20.00000	FT	\$39.02	\$18,729.60

Comm Code	Manufacturer	Specification	Model #
40171500	International Pipe Consultants & Sales, Inc.	AASHTO M326-08	

Extended Description :  
OUTSIDE DIAMETER OF LINER  
22" x 24' LENGTH

INVOICE TO		SHIP TO	
ALL STATE AGENCIES VARIOUS LOCATIONS AS INDICATED BY ORDER		STATE OF WEST VIRGINIA VARIOUS LOCATIONS AS INDICATED BY ORDER	
No City	WV99999	No City	WV 99999
US		US	

Line	Comm Ln Desc	Qty	Unit Issue	Unit Price	Total Price
8	OUTSIDE DIAMETER OF LINER 24" x 24' LENGTH	20.00000	FT	\$44.32	\$21,273.60

Comm Code	Manufacturer	Specification	Model #
40171500	International Pipe Consultants & Sales, Inc.	AASHTO M326-08	

Extended Description :  
 OUTSIDE DIAMETER OF LINER  
 24" x 24' LENGTH

INVOICE TO		SHIP TO	
ALL STATE AGENCIES VARIOUS LOCATIONS AS INDICATED BY ORDER		STATE OF WEST VIRGINIA VARIOUS LOCATIONS AS INDICATED BY ORDER	
No City	WV99999	No City	WV 99999
US		US	

Line	Comm Ln Desc	Qty	Unit Issue	Unit Price	Total Price
9	OUTSIDE DIAMETER OF LINER 28" x 24' LENGTH	20.00000	FT	\$57.34	\$27,523.20

Comm Code	Manufacturer	Specification	Model #
40171500	International Pipe Consultants & Sales, Inc.	AASHTO M326-08	

Extended Description :  
 OUTSIDE DIAMETER OF LINER  
 28" x 24' LENGTH

INVOICE TO		SHIP TO	
ALL STATE AGENCIES VARIOUS LOCATIONS AS INDICATED BY ORDER		STATE OF WEST VIRGINIA VARIOUS LOCATIONS AS INDICATED BY ORDER	
No City	WV99999	No City	WV 99999
US		US	

Line	Comm Ln Desc	Qty	Unit Issue	Unit Price	Total Price
10	OUTSIDE DIAMETER OF LINER 30" x 24' LENGTH	20.00000	FT	\$67.39	\$32,347.20

Comm Code	Manufacturer	Specification	Model #
40171500	International Pipe Consultants & Sales, Inc.	AASHTO M326-08	

Extended Description :  
 OUTSIDE DIAMETER OF LINER  
 30" x 24' LENGTH

INVOICE TO		SHIP TO	
ALL STATE AGENCIES VARIOUS LOCATIONS AS INDICATED BY ORDER		STATE OF WEST VIRGINIA VARIOUS LOCATIONS AS INDICATED BY ORDER	
No City	WV99999	No City	WV 99999
US		US	

Line	Comm Ln Desc	Qty	Unit Issue	Unit Price	Total Price
11	OUTSIDE DIAMETER OF LINER 32" x 24' LENGTH	20.00000	FT	\$78.22	\$37,545.60

Comm Code	Manufacturer	Specification	Model #
40171500	International Pipe Consultants & Sales, Inc.	AASHTO M326-08	

Extended Description :  
OUTSIDE DIAMETER OF LINER  
32" x 24' LENGTH

INVOICE TO		SHIP TO	
ALL STATE AGENCIES VARIOUS LOCATIONS AS INDICATED BY ORDER		STATE OF WEST VIRGINIA VARIOUS LOCATIONS AS INDICATED BY ORDER	
No City	WV99999	No City	WV 99999
US		US	

Line	Comm Ln Desc	Qty	Unit Issue	Unit Price	Total Price
12	OUTSIDE DIAMETER OF LINER 36" x 24' LENGTH	20.00000	FT	\$108.79	\$52,219.20

Comm Code	Manufacturer	Specification	Model #
40171500	International Pipe Consultants & Sales, Inc.	AASHTO M326-08	

Extended Description :  
OUTSIDE DIAMETER OF LINER  
36" x 24' LENGTH

INVOICE TO		SHIP TO	
ALL STATE AGENCIES VARIOUS LOCATIONS AS INDICATED BY ORDER		STATE OF WEST VIRGINIA VARIOUS LOCATIONS AS INDICATED BY ORDER	
No City	WV99999	No City	WV 99999
US		US	

Line	Comm Ln Desc	Qty	Unit Issue	Unit Price	Total Price
13	OUTSIDE DIAMETER OF LINER 42" x 24' LENGTH	20.00000	FT	\$133.04	\$63,859.20

<b>Comm Code</b>	<b>Manufacturer</b>	<b>Specification</b>	<b>Model #</b>
40171500	International Pipe Consultants & Sales, Inc.	AASHTO M326-08	

**Extended Description :**

OUTSIDE DIAMETER OF LINER  
42" x 24' LENGTH

<b>INVOICE TO</b>		<b>SHIP TO</b>	
ALL STATE AGENCIES VARIOUS LOCATIONS AS INDICATED BY ORDER		STATE OF WEST VIRGINIA VARIOUS LOCATIONS AS INDICATED BY ORDER	
No City	WV99999	No City	WV 99999
US		US	

<b>Line</b>	<b>Comm Ln Desc</b>	<b>Qty</b>	<b>Unit Issue</b>	<b>Unit Price</b>	<b>Total Price</b>
14	OUTSIDE DIAMETER OF LINER 48" x 24' LENGTH	10.00000	FT	\$178.23	\$42,775.20

<b>Comm Code</b>	<b>Manufacturer</b>	<b>Specification</b>	<b>Model #</b>
40171500	International Pipe Consultants & Sales, Inc.	AASHTO M326-08	

**Extended Description :**

OUTSIDE DIAMETER OF LINER  
48" x 24' LENGTH

<b>INVOICE TO</b>		<b>SHIP TO</b>	
ALL STATE AGENCIES VARIOUS LOCATIONS AS INDICATED BY ORDER		STATE OF WEST VIRGINIA VARIOUS LOCATIONS AS INDICATED BY ORDER	
No City	WV99999	No City	WV 99999
US		US	

<b>Line</b>	<b>Comm Ln Desc</b>	<b>Qty</b>	<b>Unit Issue</b>	<b>Unit Price</b>	<b>Total Price</b>
15	OUTSIDE DIAMETER OF LINER 54" x 24' LENGTH	10.00000	FT	\$259.25	\$62,220.00

<b>Comm Code</b>	<b>Manufacturer</b>	<b>Specification</b>	<b>Model #</b>
40171500	International Pipe Consultants & Sales, Inc.	AASHTO M326-08	

**Extended Description :**

OUTSIDE DIAMETER OF LINER  
54" x 24' LENGTH

INVOICE TO		SHIP TO	
ALL STATE AGENCIES VARIOUS LOCATIONS AS INDICATED BY ORDER		STATE OF WEST VIRGINIA VARIOUS LOCATIONS AS INDICATED BY ORDER	
No City	WV99999	No City	WV 99999
US		US	

Line	Comm Ln Desc	Qty	Unit Issue	Unit Price	Total Price
16	OUTSIDE DIAMETER OF LINER 63" x 24' LENGTH	10.00000	FT	\$348.42	\$83,620.80

Comm Code	Manufacturer	Specification	Model #
40171500	International Pipe Consultants & Sales, Inc.	AASHTO M326-08	

**Extended Description :**

OUTSIDE DIAMETER OF LINER  
63" x 24' LENGTH

INVOICE TO		SHIP TO	
ALL STATE AGENCIES VARIOUS LOCATIONS AS INDICATED BY ORDER		STATE OF WEST VIRGINIA VARIOUS LOCATIONS AS INDICATED BY ORDER	
No City	WV99999	No City	WV 99999
US		US	

Line	Comm Ln Desc	Qty	Unit Issue	Unit Price	Total Price
17	OUTSIDE DIAMETER OF LINER 10.75" WITH NO STOCK LENGTH	10.00000	FT	\$14.99	\$149.90

Comm Code	Manufacturer	Specification	Model #
40171500	International Pipe Consultants & Sales, Inc.	AASHTO M326-08	

**Extended Description :**

OUTSIDE DIAMETER OF LINER  
10.75" WITH NO STOCK LENGTH

INVOICE TO		SHIP TO	
ALL STATE AGENCIES VARIOUS LOCATIONS AS INDICATED BY ORDER		STATE OF WEST VIRGINIA VARIOUS LOCATIONS AS INDICATED BY ORDER	
No City	WV99999	No City	WV 99999
US		US	

Line	Comm Ln Desc	Qty	Unit Issue	Unit Price	Total Price
18	OUTSIDE DIAMETER OF LINER 12.75" WITH NO STOCK LENGTH	10.00000	FT	\$19.30	\$193.00



Comm Code	Manufacturer	Specification	Model #
40171500	International Pipe Consultants & Sales, Inc.	AASHTO M326-08	

**Extended Description :**

OUTSIDE DIAMETER OF LINER  
12.75" WITH NO STOCK LENGTH

INVOICE TO		SHIP TO	
ALL STATE AGENCIES VARIOUS LOCATIONS AS INDICATED BY ORDER		STATE OF WEST VIRGINIA VARIOUS LOCATIONS AS INDICATED BY ORDER	
No City	WV99999	No City	WV 99999
US		US	

Line	Comm Ln Desc	Qty	Unit Issue	Unit Price	Total Price
19	OUTSIDE DIAMETER OF LINER 14" WITH NO STOCK LENGTH	10.00000	FT	\$21.82	\$218.20

Comm Code	Manufacturer	Specification	Model #
40171500	International Pipe Consultants & Sales, Inc.	AASHTO M326-08	

**Extended Description :**

OUTSIDE DIAMETER OF LINER  
14" WITH NO STOCK LENGTH

INVOICE TO		SHIP TO	
ALL STATE AGENCIES VARIOUS LOCATIONS AS INDICATED BY ORDER		STATE OF WEST VIRGINIA VARIOUS LOCATIONS AS INDICATED BY ORDER	
No City	WV99999	No City	WV 99999
US		US	

Line	Comm Ln Desc	Qty	Unit Issue	Unit Price	Total Price
20	OUTSIDE DIAMETER OF LINER 16" WITH NO STOCK LENGTH	10.00000	FT	\$26.50	\$265.00

Comm Code	Manufacturer	Specification	Model #
40171500	International Pipe Consultants & Sales, Inc.	AASHTO M326-08	

**Extended Description :**

OUTSIDE DIAMETER OF LINER  
16" WITH NO STOCK LENGTH

INVOICE TO		SHIP TO	
ALL STATE AGENCIES VARIOUS LOCATIONS AS INDICATED BY ORDER		STATE OF WEST VIRGINIA VARIOUS LOCATIONS AS INDICATED BY ORDER	
No City	WV99999	No City	WV 99999
US		US	

Line	Comm Ln Desc	Qty	Unit Issue	Unit Price	Total Price
21	OUTSIDE DIAMETER OF LINER 18" WITH NO STOCK LENGTH	10.00000	FT	\$32.10	\$321.00

Comm Code	Manufacturer	Specification	Model #
40171500	International Pipe Consultants & Sales, Inc.	AASHTO M326-08	

Extended Description :  
OUTSIDE DIAMETER OF LINER  
18" WITH NO STOCK LENGTH

INVOICE TO		SHIP TO	
ALL STATE AGENCIES VARIOUS LOCATIONS AS INDICATED BY ORDER		STATE OF WEST VIRGINIA VARIOUS LOCATIONS AS INDICATED BY ORDER	
No City	WV99999	No City	WV 99999
US		US	

Line	Comm Ln Desc	Qty	Unit Issue	Unit Price	Total Price
22	OUTSIDE DIAMETER OF LINER 20" WITH NO STOCK LENGTH	10.00000	FT	\$41.46	\$414.60

Comm Code	Manufacturer	Specification	Model #
40171500	International Pipe Consultants & Sales, Inc.	AASHTO M326-08	

Extended Description :  
OUTSIDE DIAMETER OF LINER  
20" WITH NO STOCK LENGTH

INVOICE TO		SHIP TO	
ALL STATE AGENCIES VARIOUS LOCATIONS AS INDICATED BY ORDER		STATE OF WEST VIRGINIA VARIOUS LOCATIONS AS INDICATED BY ORDER	
No City	WV99999	No City	WV 99999
US		US	

Line	Comm Ln Desc	Qty	Unit Issue	Unit Price	Total Price
23	OUTSIDE DIAMETER OF LINER 22" WITH NO STOCK LENGTH	20.00000	FT	\$42.35	\$423.50

Comm Code	Manufacturer	Specification	Model #
40171500	International Pipe Consultants & Sales, Inc.	AASHTO M326-08	

Extended Description :  
 OUTSIDE DIAMETER OF LINER  
 22" WITH NO STOCK LENGTH

INVOICE TO		SHIP TO	
ALL STATE AGENCIES VARIOUS LOCATIONS AS INDICATED BY ORDER		STATE OF WEST VIRGINIA VARIOUS LOCATIONS AS INDICATED BY ORDER	
No City	WV99999	No City	WV 99999
US		US	

Line	Comm Ln Desc	Qty	Unit Issue	Unit Price	Total Price
24	OUTSIDE DIAMETER OF LINER 24" WITH NO STOCK LENGTH	20.00000	FT	\$48.24	\$482.40

Comm Code	Manufacturer	Specification	Model #
40171500	International Pipe Consultants & Sales, Inc.	AASHTO M326-08	

Extended Description :  
 OUTSIDE DIAMETER OF LINER  
 24" WITH NO STOCK LENGTH

INVOICE TO		SHIP TO	
ALL STATE AGENCIES VARIOUS LOCATIONS AS INDICATED BY ORDER		STATE OF WEST VIRGINIA VARIOUS LOCATIONS AS INDICATED BY ORDER	
No City	WV99999	No City	WV 99999
US		US	

Line	Comm Ln Desc	Qty	Unit Issue	Unit Price	Total Price
25	OUTSIDE DIAMETER OF LINER 28" WITH NO STOCK LENGTH	20.00000	FT	\$64.82	\$648.20

Comm Code	Manufacturer	Specification	Model #
40171500	International Pipe Consultants & Sales, Inc.	AASHTO M326-08	

Extended Description :  
 OUTSIDE DIAMETER OF LINER  
 28" WITH NO STOCK LENGTH

INVOICE TO		SHIP TO	
ALL STATE AGENCIES VARIOUS LOCATIONS AS INDICATED BY ORDER		STATE OF WEST VIRGINIA VARIOUS LOCATIONS AS INDICATED BY ORDER	
No City	WV99999	No City	WV 99999
US		US	

Line	Comm Ln Desc	Qty	Unit Issue	Unit Price	Total Price
26	OUTSIDE DIAMETER OF LINER 30" WITH NO STOCK LENGTH	20.00000	FT	\$76.18	\$761.80

Comm Code	Manufacturer	Specification	Model #
40171500	International Pipe Consultants & Sales, Inc.	AASHTO M326-08	

**Extended Description :**

OUTSIDE DIAMETER OF LINER  
30" WITH NO STOCK LENGTH

INVOICE TO		SHIP TO	
ALL STATE AGENCIES VARIOUS LOCATIONS AS INDICATED BY ORDER		STATE OF WEST VIRGINIA VARIOUS LOCATIONS AS INDICATED BY ORDER	
No City	WV99999	No City	WV 99999
US		US	

Line	Comm Ln Desc	Qty	Unit Issue	Unit Price	Total Price
27	OUTSIDE DIAMETER OF LINER 32" WITH NO STOCK LENGTH	20.00000	FT	\$88.43	\$884.30

Comm Code	Manufacturer	Specification	Model #
40171500	International Pipe Consultants & Sales, Inc.	AASHTO M326-08	

**Extended Description :**

OUTSIDE DIAMETER OF LINER  
32" WITH NO STOCK LENGTH

INVOICE TO		SHIP TO	
ALL STATE AGENCIES VARIOUS LOCATIONS AS INDICATED BY ORDER		STATE OF WEST VIRGINIA VARIOUS LOCATIONS AS INDICATED BY ORDER	
No City	WV99999	No City	WV 99999
US		US	

Line	Comm Ln Desc	Qty	Unit Issue	Unit Price	Total Price
28	OUTSIDE DIAMETER OF LINER 36" WITH NO STOCK LENGTH	20.00000	FT	\$122.99	\$1229.90

Comm Code	Manufacturer	Specification	Model #
40171500	International Pipe Consultants & Sales, Inc.	AASHTO M326-08	

**Extended Description :**

OUTSIDE DIAMETER OF LINER  
36" WITH NO STOCK LENGTH

INVOICE TO		SHIP TO	
ALL STATE AGENCIES VARIOUS LOCATIONS AS INDICATED BY ORDER		STATE OF WEST VIRGINIA VARIOUS LOCATIONS AS INDICATED BY ORDER	
No City	WV99999	No City	WV 99999
US		US	

Line	Comm Ln Desc	Qty	Unit Issue	Unit Price	Total Price
29	OUTSIDE DIAMETER OF LINER 42" WITH NO STOCK LENGTH	20.00000	FT	\$150.39	\$1503.90

Comm Code	Manufacturer	Specification	Model #
40171500	International Pipe Consultants & Sales, Inc.	AASHTO M326-08	

**Extended Description :**

OUTSIDE DIAMETER OF LINER  
42" WITH NO STOCK LENGTH

INVOICE TO		SHIP TO	
ALL STATE AGENCIES VARIOUS LOCATIONS AS INDICATED BY ORDER		STATE OF WEST VIRGINIA VARIOUS LOCATIONS AS INDICATED BY ORDER	
No City	WV99999	No City	WV 99999
US		US	

Line	Comm Ln Desc	Qty	Unit Issue	Unit Price	Total Price
30	OUTSIDE DIAMETER OF LINER 48" WITH NO STOCK LENGTH	10.00000	FT	\$201.48	\$2014.80

Comm Code	Manufacturer	Specification	Model #
40171500	International Pipe Consultants & Sales, Inc.	AASHTO M326-08	

**Extended Description :**

OUTSIDE DIAMETER OF LINER  
48" WITH NO STOCK LENGTH

INVOICE TO		SHIP TO	
ALL STATE AGENCIES VARIOUS LOCATIONS AS INDICATED BY ORDER		STATE OF WEST VIRGINIA VARIOUS LOCATIONS AS INDICATED BY ORDER	
No City	WV99999	No City	WV 99999
US		US	

Line	Comm Ln Desc	Qty	Unit Issue	Unit Price	Total Price
31	OUTSIDE DIAMETER OF LINER 54" WITH NO STOCK LENGTH	10.00000	FT	\$293.06	\$2930.60

Comm Code	Manufacturer	Specification	Model #
40171500	International Pipe Consultants & Sales, Inc.	AASHTO M326-08	

**Extended Description :**

OUTSIDE DIAMETER OF LINER  
54" WITH NO STOCK LENGTH

INVOICE TO		SHIP TO	
ALL STATE AGENCIES VARIOUS LOCATIONS AS INDICATED BY ORDER		STATE OF WEST VIRGINIA VARIOUS LOCATIONS AS INDICATED BY ORDER	
No City	WV99999	No City	WV 99999
US		US	

Line	Comm Ln Desc	Qty	Unit Issue	Unit Price	Total Price
32	OUTSIDE DIAMETER OF LINER 63" WITH NO STOCK LENGTH	10.00000	FT	\$377.92	\$3779.20

Comm Code	Manufacturer	Specification	Model #
40171500	International Pipe Consultants & Sales, Inc.	AASHTO M326-08	

**Extended Description :**

OUTSIDE DIAMETER OF LINER  
63" WITH NO STOCK LENGTH

INVOICE TO		SHIP TO	
ALL STATE AGENCIES VARIOUS LOCATIONS AS INDICATED BY ORDER		STATE OF WEST VIRGINIA VARIOUS LOCATIONS AS INDICATED BY ORDER	
No City	WV99999	No City	WV 99999
US		US	

Line	Comm Ln Desc	Qty	Unit Issue	Unit Price	Total Price
33	INLET BELLS TO FIT OUTSIDE DIAMETER OF LINER 10.75"	10.00000	EA	\$975.61	\$9756.10

Comm Code	Manufacturer	Specification	Model #
40171500	International Pipe Consultants & Sales, Inc.	ASTM F894	

**Extended Description :**

INLET BELLS TO FIT OUTSIDE DIAMETER OF LINER 10.75"

INVOICE TO		SHIP TO	
ALL STATE AGENCIES VARIOUS LOCATIONS AS INDICATED BY ORDER		STATE OF WEST VIRGINIA VARIOUS LOCATIONS AS INDICATED BY ORDER	
No City	WV99999	No City	WV 99999
US		US	

Line	Comm Ln Desc	Qty	Unit Issue	Unit Price	Total Price
34	INLET BELLS TO FIT OUTSIDE DIAMETER OF LINER 12.75"	10.00000	EA	\$1036.59	\$10,365.90

Comm Code	Manufacturer	Specification	Model #
40171500	International Pipe Consultants & Sales, Inc.	ASTM F894	

**Extended Description :**

INLET BELLS TO FIT OUTSIDE DIAMETER OF LINER 12.75"

INVOICE TO		SHIP TO	
ALL STATE AGENCIES VARIOUS LOCATIONS AS INDICATED BY ORDER		STATE OF WEST VIRGINIA VARIOUS LOCATIONS AS INDICATED BY ORDER	
No City	WV99999	No City	WV 99999
US		US	

Line	Comm Ln Desc	Qty	Unit Issue	Unit Price	Total Price
35	INLET BELLS TO FIT OUTSIDE DIAMETER OF LINER 14"	10.00000	EA	\$109.76	\$1097.60

Comm Code	Manufacturer	Specification	Model #
40171500	International Pipe Consultants & Sales, Inc.	ASTM F894	

**Extended Description :**

INLET BELLS TO FIT OUTSIDE DIAMETER OF LINER 14"

INVOICE TO		SHIP TO	
ALL STATE AGENCIES VARIOUS LOCATIONS AS INDICATED BY ORDER		STATE OF WEST VIRGINIA VARIOUS LOCATIONS AS INDICATED BY ORDER	
No City	WV99999	No City	WV 99999
US		US	

Line	Comm Ln Desc	Qty	Unit Issue	Unit Price	Total Price
36	INLET BELLS TO FIT OUTSIDE DIAMETER OF LINER 16"	10.00000	EA	\$1482.93	\$14,829.30

Comm Code	Manufacturer	Specification	Model #
40171500	International Pipe Consultants & Sales, Inc.	ASTM F894	

**Extended Description :**

INLET BELLS TO FIT OUTSIDE DIAMETER OF LINER 16"

INVOICE TO		SHIP TO	
ALL STATE AGENCIES VARIOUS LOCATIONS AS INDICATED BY ORDER		STATE OF WEST VIRGINIA VARIOUS LOCATIONS AS INDICATED BY ORDER	
No City	WV99999	No City	WV 99999
US		US	

Line	Comm Ln Desc	Qty	Unit Issue	Unit Price	Total Price
37	INLET BELLS TO FIT OUTSIDE DIAMETER OF LINER 18"	10.00000	EA	\$1685.37	\$16,853.70

Comm Code	Manufacturer	Specification	Model #
40171500	International Pipe Consultants & Sales, Inc.	ASTM F894	

**Extended Description :**

INLET BELLS TO FIT OUTSIDE DIAMETER OF LINER 18"

INVOICE TO		SHIP TO	
ALL STATE AGENCIES VARIOUS LOCATIONS AS INDICATED BY ORDER		STATE OF WEST VIRGINIA VARIOUS LOCATIONS AS INDICATED BY ORDER	
No City	WV99999	No City	WV 99999
US		US	

Line	Comm Ln Desc	Qty	Unit Issue	Unit Price	Total Price
38	INLET BELLS TO FIT OUTSIDE DIAMETER OF LINER 20"	10.00000	EA	\$1768.29	\$17,682.90



Comm Code	Manufacturer	Specification	Model #
40171500	International Pipe Consultants & Sales, Inc.	ASTM F894	

**Extended Description :**

INLET BELLS TO FIT OUTSIDE DIAMETER OF LINER 20"

INVOICE TO		SHIP TO	
ALL STATE AGENCIES VARIOUS LOCATIONS AS INDICATED BY ORDER		STATE OF WEST VIRGINIA VARIOUS LOCATIONS AS INDICATED BY ORDER	
No City	WV99999	No City	WV 99999
US		US	

Line	Comm Ln Desc	Qty	Unit Issue	Unit Price	Total Price
39	INLET BELLS TO FIT OUTSIDE DIAMETER OF LINER 22"	20.00000	EA	\$1856.10	\$37,122.00

Comm Code	Manufacturer	Specification	Model #
40171500	International Pipe Consultants & Sales, Inc.	ASTM F894	

**Extended Description :**

INLET BELLS TO FIT OUTSIDE DIAMETER OF LINER 22"

INVOICE TO		SHIP TO	
ALL STATE AGENCIES VARIOUS LOCATIONS AS INDICATED BY ORDER		STATE OF WEST VIRGINIA VARIOUS LOCATIONS AS INDICATED BY ORDER	
No City	WV99999	No City	WV 99999
US		US	

Line	Comm Ln Desc	Qty	Unit Issue	Unit Price	Total Price
40	INLET BELLS TO FIT OUTSIDE DIAMETER OF LINER 24"	20.00000	EA	\$1964.63	\$39,292.60

Comm Code	Manufacturer	Specification	Model #
40171500	International Pipe Consultants & Sales, Inc.	ASTM F894	

**Extended Description :**

INLET BELLS TO FIT OUTSIDE DIAMETER OF LINER 24"

INVOICE TO		SHIP TO	
ALL STATE AGENCIES VARIOUS LOCATIONS AS INDICATED BY ORDER		STATE OF WEST VIRGINIA VARIOUS LOCATIONS AS INDICATED BY ORDER	
No City	WV99999	No City	WV 99999
US		US	

Line	Comm Ln Desc	Qty	Unit Issue	Unit Price	Total Price
41	INLET BELLS TO FIT OUTSIDE DIAMETER OF LINER 28"	20.00000	EA	\$2490.24	\$49,804.80

Comm Code	Manufacturer	Specification	Model #
40171500	International Pipe Consultants & Sales, Inc.	ASTM F894	

**Extended Description :**  
INLET BELLS TO FIT OUTSIDE DIAMETER OF LINER 28"

INVOICE TO		SHIP TO	
ALL STATE AGENCIES VARIOUS LOCATIONS AS INDICATED BY ORDER		STATE OF WEST VIRGINIA VARIOUS LOCATIONS AS INDICATED BY ORDER	
No City	WV99999	No City	WV 99999
US		US	

Line	Comm Ln Desc	Qty	Unit Issue	Unit Price	Total Price
42	INLET BELLS TO FIT OUTSIDE DIAMETER OF LINER 30"	20.00000	EA	\$3354.88	\$67,097.60

Comm Code	Manufacturer	Specification	Model #
40171500	International Pipe Consultants & Sales, Inc.	ASTM F894	

**Extended Description :**  
INLET BELLS TO FIT OUTSIDE DIAMETER OF LINER 30"

INVOICE TO		SHIP TO	
ALL STATE AGENCIES VARIOUS LOCATIONS AS INDICATED BY ORDER		STATE OF WEST VIRGINIA VARIOUS LOCATIONS AS INDICATED BY ORDER	
No City	WV99999	No City	WV 99999
US		US	

Line	Comm Ln Desc	Qty	Unit Issue	Unit Price	Total Price
43	INLET BELLS TO FIT OUTSIDE DIAMETER OF LINER 32"	20.00000	EA	\$3545.12	\$70,902.40

Comm Code	Manufacturer	Specification	Model #
40171500	International Pipe Consultants & Sales, Inc.	ASTM F894	

**Extended Description :**

INLET BELLS TO FIT OUTSIDE DIAMETER OF LINER 32"

INVOICE TO		SHIP TO	
ALL STATE AGENCIES VARIOUS LOCATIONS AS INDICATED BY ORDER		STATE OF WEST VIRGINIA VARIOUS LOCATIONS AS INDICATED BY ORDER	
No City	WV99999	No City	WV 99999
US		US	

Line	Comm Ln Desc	Qty	Unit Issue	Unit Price	Total Price
44	INLET BELLS TO FIT OUTSIDE DIAMETER OF LINER 36"	20.00000	EA	\$4412.20	\$88,244.00

Comm Code	Manufacturer	Specification	Model #
40171500	International Pipe Consultants & Sales, Inc.	ASTM F894	

**Extended Description :**

INLET BELLS TO FIT OUTSIDE DIAMETER OF LINER 36"

INVOICE TO		SHIP TO	
ALL STATE AGENCIES VARIOUS LOCATIONS AS INDICATED BY ORDER		STATE OF WEST VIRGINIA VARIOUS LOCATIONS AS INDICATED BY ORDER	
No City	WV99999	No City	WV 99999
US		US	

Line	Comm Ln Desc	Qty	Unit Issue	Unit Price	Total Price
45	INLET BELLS TO FIT OUTSIDE DIAMETER OF LINER 42"	20.00000	EA	\$5334.15	\$106,683.00

Comm Code	Manufacturer	Specification	Model #
40171500	International Pipe Consultants & Sales, Inc.	ASTM F894	

**Extended Description :**

INLET BELLS TO FIT OUTSIDE DIAMETER OF LINER 42"

INVOICE TO		SHIP TO	
ALL STATE AGENCIES VARIOUS LOCATIONS AS INDICATED BY ORDER		STATE OF WEST VIRGINIA VARIOUS LOCATIONS AS INDICATED BY ORDER	
No City	WV99999	No City	WV 99999
US		US	

Line	Comm Ln Desc	Qty	Unit Issue	Unit Price	Total Price
46	INLET BELLS TO FIT OUTSIDE DIAMETER OF LINER 48"	10.00000	EA	\$6047.56	\$60,475.60

Comm Code	Manufacturer	Specification	Model #
40171500	International Pipe Consultants & Sales, Inc.	ASTM F894	

**Extended Description :**  
INLET BELLS TO FIT OUTSIDE DIAMETER OF LINER 48"

INVOICE TO		SHIP TO	
ALL STATE AGENCIES VARIOUS LOCATIONS AS INDICATED BY ORDER		STATE OF WEST VIRGINIA VARIOUS LOCATIONS AS INDICATED BY ORDER	
No City	WV99999	No City	WV 99999
US		US	

Line	Comm Ln Desc	Qty	Unit Issue	Unit Price	Total Price
47	INLET BELLS TO FIT OUTSIDE DIAMETER OF LINER 54"	10.00000	EA	\$7129.27	\$71,292.70

Comm Code	Manufacturer	Specification	Model #
40171500	International Pipe Consultants & Sales, Inc.	ASTM F894	

**Extended Description :**  
INLET BELLS TO FIT OUTSIDE DIAMETER OF LINER 54"

INVOICE TO		SHIP TO	
ALL STATE AGENCIES VARIOUS LOCATIONS AS INDICATED BY ORDER		STATE OF WEST VIRGINIA VARIOUS LOCATIONS AS INDICATED BY ORDER	
No City	WV99999	No City	WV 99999
US		US	

Line	Comm Ln Desc	Qty	Unit Issue	Unit Price	Total Price
48	INLET BELLS TO FIT OUTSIDE DIAMETER OF LINER 63"	10.00000	EA	\$8674.39	\$86,743.90

Comm Code	Manufacturer	Specification	Model #
40171500	International Pipe Consultants & Sales, Inc.	ASTM F894	

**Extended Description :**

INLET BELLS TO FIT OUTSIDE DIAMETER OF LINER 63"

INVOICE TO		SHIP TO	
ALL STATE AGENCIES VARIOUS LOCATIONS AS INDICATED BY ORDER		STATE OF WEST VIRGINIA VARIOUS LOCATIONS AS INDICATED BY ORDER	
No City	WV99999	No City	WV 99999
US		US	

Line	Comm Ln Desc	Qty	Unit Issue	Unit Price	Total Price
49	INSIDE DIAMETER OF LINER 60" X 20' LENGTH	5.00000	EA	\$98.84	\$9884.00

Comm Code	Manufacturer	Specification	Model #
40171500	Contech Engineered Solutions LLC	ASTM F2562	

**Extended Description :**

INSIDE DIAMETER OF LINER  
60" X 20' LENGTH

Above item is 60" nominal ID SRPE Reline Pipe (DuroMaxx) proposed as an alternate to the material specified in section 3.2.1.2.

INVOICE TO		SHIP TO	
ALL STATE AGENCIES VARIOUS LOCATIONS AS INDICATED BY ORDER		STATE OF WEST VIRGINIA VARIOUS LOCATIONS AS INDICATED BY ORDER	
No City	WV99999	No City	WV 99999
US		US	

Line	Comm Ln Desc	Qty	Unit Issue	Unit Price	Total Price
50	INSIDE DIAMETER OF LINER 66" X 24' LENGTH	5.00000	EA	\$185.68	\$22,281.60*

Comm Code	Manufacturer	Specification	Model #
40171500			

**Extended Description :**

INSIDE DIAMETER OF LINER  
66" X 24' LENGTH

Above item is 66" nominal ID SRPE Reline Pipe (DuroMaxx) proposed as an alternate to the material specified in section 3.2.1.2. Available in 24' lengths. \*Total price based on 120 feet of pipe.

INVOICE TO		SHIP TO	
ALL STATE AGENCIES VARIOUS LOCATIONS AS INDICATED BY ORDER		STATE OF WEST VIRGINIA VARIOUS LOCATIONS AS INDICATED BY ORDER	
No City	WV99999	No City	WV 99999
US		US	

Line	Comm Ln Desc	Qty	Unit Issue	Unit Price	Total Price
51	INSIDE DIAMETER OF LINER 72" X 24' LENGTH	5.00000	EA	\$212.09	\$25,450.80*

Comm Code	Manufacturer	Specification	Model #
40171500			

**Extended Description :** Above item is 72" nominal ID SRPE Reline Pipe (DuroMaxx) proposed as an alternate to the material specified in section 3.2.1.2. Available in 24' lengths. \*Total price is based on 120 feet of pipe.

INVOICE TO		SHIP TO	
ALL STATE AGENCIES VARIOUS LOCATIONS AS INDICATED BY ORDER		STATE OF WEST VIRGINIA VARIOUS LOCATIONS AS INDICATED BY ORDER	
No City	WV99999	No City	WV 99999
US		US	

Line	Comm Ln Desc	Qty	Unit Issue	Unit Price	Total Price
52	INSIDE DIAMETER OF LINER 78" X 20' LENGTH	5.00000	EA		

Comm Code	Manufacturer	Specification	Model #
40171500			

**Extended Description :** INSIDE DIAMETER OF LINER 78" X 20' LENGTH

INVOICE TO		SHIP TO	
ALL STATE AGENCIES VARIOUS LOCATIONS AS INDICATED BY ORDER		STATE OF WEST VIRGINIA VARIOUS LOCATIONS AS INDICATED BY ORDER	
No City	WV99999	No City	WV 99999
US		US	

Line	Comm Ln Desc	Qty	Unit Issue	Unit Price	Total Price
53	INSIDE DIAMETER OF LINER 84" X 24' LENGTH	5.00000	EA	\$338.62	\$40,634.40*

Comm Code	Manufacturer	Specification	Model #
40171500			

**Extended Description :** Above item is 84" nominal ID SRPE Reline Pipe (DuroMaxx) proposed as an alternate to the material specified in section 3.2.1.2. Available in 24' lengths. \*Total price is based on 120 feet of pipe.

INVOICE TO		SHIP TO	
ALL STATE AGENCIES VARIOUS LOCATIONS AS INDICATED BY ORDER		STATE OF WEST VIRGINIA VARIOUS LOCATIONS AS INDICATED BY ORDER	
No City	WV99999	No City	WV 99999
US		US	

Line	Comm Ln Desc	Qty	Unit Issue	Unit Price	Total Price
54	INSIDE DIAMETER OF LINER 90" X 20' LENGTH	5.00000	EA		

Comm Code	Manufacturer	Specification	Model #
40171500			

**Extended Description :**  
INSIDE DIAMETER OF LINER  
90" X 20' LENGTH

INVOICE TO		SHIP TO	
ALL STATE AGENCIES VARIOUS LOCATIONS AS INDICATED BY ORDER		STATE OF WEST VIRGINIA VARIOUS LOCATIONS AS INDICATED BY ORDER	
No City	WV99999	No City	WV 99999
US		US	

Line	Comm Ln Desc	Qty	Unit Issue	Unit Price	Total Price
55	INSIDE DIAMETER OF LINER 96" X 24' LENGTH	5.00000	EA	\$380.26	\$45,631.20*

Comm Code	Manufacturer	Specification	Model #
40171500			

**Extended Description :** Above item is 84" nominal ID SRPE Reline Pipe (DuroMaxx) proposed as an alternate to the material specified in section 3.2.1.2. Available in 24' lengths. \*Total price is based on 120 feet of pipe.

INVOICE TO		SHIP TO	
ALL STATE AGENCIES VARIOUS LOCATIONS AS INDICATED BY ORDER		STATE OF WEST VIRGINIA VARIOUS LOCATIONS AS INDICATED BY ORDER	
No City	WV99999	No City	WV 99999
US		US	

Line	Comm Ln Desc	Qty	Unit Issue	Unit Price	Total Price
56	INSIDE DIAMETER OF LINER 60" WITH NO STOCK LENGTH	5.00000	EA		

Comm Code	Manufacturer	Specification	Model #
40171500			

**Extended Description :**  
INSIDE DIAMETER OF LINER  
60" WITH NO STOCK LENGTH

INVOICE TO		SHIP TO	
ALL STATE AGENCIES VARIOUS LOCATIONS AS INDICATED BY ORDER		STATE OF WEST VIRGINIA VARIOUS LOCATIONS AS INDICATED BY ORDER	
No City	WV99999	No City	WV 99999
US		US	

Line	Comm Ln Desc	Qty	Unit Issue	Unit Price	Total Price
57	INSIDE DIAMETER OF LINER 66" WITH NO STOCK LENGTH	5.00000	EA		

Comm Code	Manufacturer	Specification	Model #
40171500			

**Extended Description :**  
INSIDE DIAMETER OF LINER  
66" WITH NO STOCK LENGTH

INVOICE TO		SHIP TO	
ALL STATE AGENCIES VARIOUS LOCATIONS AS INDICATED BY ORDER		STATE OF WEST VIRGINIA VARIOUS LOCATIONS AS INDICATED BY ORDER	
No City	WV99999	No City	WV 99999
US		US	

Line	Comm Ln Desc	Qty	Unit Issue	Unit Price	Total Price
58	INSIDE DIAMETER OF LINER 72" WITH NO STOCK LENGTH	5.00000	EA		



Comm Code	Manufacturer	Specification	Model #
40171500			

Extended Description :  
 INSIDE DIAMETER OF LINER  
 72" WITH NO STOCK LENGTH

INVOICE TO		SHIP TO	
ALL STATE AGENCIES VARIOUS LOCATIONS AS INDICATED BY ORDER		STATE OF WEST VIRGINIA VARIOUS LOCATIONS AS INDICATED BY ORDER	
No City	WV99999	No City	WV 99999
US		US	

Line	Comm Ln Desc	Qty	Unit Issue	Unit Price	Total Price
59	INSIDE DIAMETER OF LINER 78" WITH NO STOCK LENGTH	5.00000	EA		

Comm Code	Manufacturer	Specification	Model #
40171500			

Extended Description :  
 INSIDE DIAMETER OF LINER  
 78" WITH NO STOCK LENGTH

INVOICE TO		SHIP TO	
ALL STATE AGENCIES VARIOUS LOCATIONS AS INDICATED BY ORDER		STATE OF WEST VIRGINIA VARIOUS LOCATIONS AS INDICATED BY ORDER	
No City	WV99999	No City	WV 99999
US		US	

Line	Comm Ln Desc	Qty	Unit Issue	Unit Price	Total Price
60	INSIDE DIAMETER OF LINER 84" WITH NO STOCK LENGTH	5.00000	EA		

Comm Code	Manufacturer	Specification	Model #
40171500			

Extended Description :  
 INSIDE DIAMETER OF LINER  
 84" WITH NO STOCK LENGTH

INVOICE TO		SHIP TO	
ALL STATE AGENCIES VARIOUS LOCATIONS AS INDICATED BY ORDER		STATE OF WEST VIRGINIA VARIOUS LOCATIONS AS INDICATED BY ORDER	
No City	WV99999	No City	WV 99999
US		US	

Line	Comm Ln Desc	Qty	Unit Issue	Unit Price	Total Price
61	INSIDE DIAMETER OF LINER 90" WITH NO STOCK LENGTH	5.00000	EA		

Comm Code	Manufacturer	Specification	Model #
40171500			

Extended Description :  
INSIDE DIAMETER OF LINER  
90" WITH NO STOCK LENGTH

INVOICE TO		SHIP TO	
ALL STATE AGENCIES VARIOUS LOCATIONS AS INDICATED BY ORDER		STATE OF WEST VIRGINIA VARIOUS LOCATIONS AS INDICATED BY ORDER	
No City	WV99999	No City	WV 99999
US		US	

Line	Comm Ln Desc	Qty	Unit Issue	Unit Price	Total Price
62	INSIDE DIAMETER OF LINER 96" WITH NO STOCK LENGTH	5.00000	EA		

Comm Code	Manufacturer	Specification	Model #
40171500			

Extended Description :  
INSIDE DIAMETER OF LINER  
96" WITH NO STOCK LENGTH

INVOICE TO		SHIP TO	
ALL STATE AGENCIES VARIOUS LOCATIONS AS INDICATED BY ORDER		STATE OF WEST VIRGINIA VARIOUS LOCATIONS AS INDICATED BY ORDER	
No City	WV99999	No City	WV 99999
US		US	

Line	Comm Ln Desc	Qty	Unit Issue	Unit Price	Total Price
63	INSIDE DIAMETER OF LINER 42" X 24' LENGTH	5.00000	EA	\$66.07	\$9884.00*

Comm Code	Manufacturer	Specification	Model #
40171500	Contech Engineered Solutions LLC	ASTM F2562	

**Extended Description :** Above item is 42" nominal ID SRPE Reline Pipe (DuroMaxx) proposed as an alternate to the material specified. Available in 24' lengths.  
 INSIDE DIAMETER OF LINER  
 42" X 24' LENGTH  
 \*Total price based on 120 feet of pipe.

INVOICE TO		SHIP TO	
ALL STATE AGENCIES VARIOUS LOCATIONS AS INDICATED BY ORDER		STATE OF WEST VIRGINIA VARIOUS LOCATIONS AS INDICATED BY ORDER	
No City	WV99999	No City	WV 99999
US		US	

Line	Comm Ln Desc	Qty	Unit Issue	Unit Price	Total Price
64	INSIDE DIAMETER OF LINER 48" X 24' LENGTH	5.00000	EA	\$73.82	\$8858.40*

Comm Code	Manufacturer	Specification	Model #
40171500	Contech Engineered Solutions LLC	ASTM F2562	

**Extended Description :** Above item is 48" nominal ID SRPE Reline Pipe (DuroMaxx) proposed as an alternate to the material specified. Available in 24' lengths.  
 INSIDE DIAMETER OF LINER  
 48" X 24' LENGTH  
 \*Total price based on 120 feet of pipe.

INVOICE TO		SHIP TO	
ALL STATE AGENCIES VARIOUS LOCATIONS AS INDICATED BY ORDER		STATE OF WEST VIRGINIA VARIOUS LOCATIONS AS INDICATED BY ORDER	
No City	WV99999	No City	WV 99999
US		US	

Line	Comm Ln Desc	Qty	Unit Issue	Unit Price	Total Price
65	INSIDE DIAMETER OF LINER 54" X 24' LENGTH	5.00000	EA	\$84.25	\$10,110.00*

Comm Code	Manufacturer	Specification	Model #
40171500	Contech Engineered Solutions LLC	ASTM F2562	

**Extended Description :** Above item is 54" nominal ID SRPE Reline Pipe (DuroMaxx) proposed as an alternate to the material specified. Available in 24' lengths.  
 INSIDE DIAMETER OF LINER 54" X 24' LENGTH \*Total price based on 120 feet of pipe.

INVOICE TO		SHIP TO	
ALL STATE AGENCIES VARIOUS LOCATIONS AS INDICATED BY ORDER		STATE OF WEST VIRGINIA VARIOUS LOCATIONS AS INDICATED BY ORDER	
No City	WV99999	No City	WV 99999
US		US	

Line	Comm Ln Desc	Qty	Unit Issue	Unit Price	Total Price
66	INSIDE DIAMETER OF LINER 108" X 20' LENGTH	5.00000	EA	\$498.13	\$49,813.00

Comm Code	Manufacturer	Specification	Model #
40171500	Contech Engineered Solutions LLC	ASTM F2562	

**Extended Description :** Above item is 108" nominal ID SRPE Reline Pipe (DuroMaxx) proposed as an alternate to the material specified. Available in 20' lengths.  
 INSIDE DIAMETER OF LINER 108" X 20' LENGTH

INVOICE TO		SHIP TO	
ALL STATE AGENCIES VARIOUS LOCATIONS AS INDICATED BY ORDER		STATE OF WEST VIRGINIA VARIOUS LOCATIONS AS INDICATED BY ORDER	
No City	WV99999	No City	WV 99999
US		US	

Line	Comm Ln Desc	Qty	Unit Issue	Unit Price	Total Price
67	INSIDE DIAMETER OF LINER 120" X 20' LENGTH	5.00000	EA	\$583.12	\$53,312.00

Comm Code	Manufacturer	Specification	Model #
40171500	Contech Engineered Solutions LLC	ASTM F2562	

**Extended Description :** Above item is 120" nominal ID SRPE Reline Pipe (DuroMaxx) proposed as an alternate to the material specified. Available in 20' lengths.  
 INSIDE DIAMETER OF LINER 120" X 20' LENGTH

INVOICE TO		SHIP TO	
ALL STATE AGENCIES VARIOUS LOCATIONS AS INDICATED BY ORDER		STATE OF WEST VIRGINIA VARIOUS LOCATIONS AS INDICATED BY ORDER	
No City	WV99999	No City	WV 99999
US		US	

Line	Comm Ln Desc	Qty	Unit Issue	Unit Price	Total Price
68	OPTIONAL HDPE SKID ANGLE	1	PAIR	\$50.00	\$50.00

Comm Code	Manufacturer	Specification	Model #
40171500	Contech Engineered Solutions LLC		

**Extended Description :**

OPTIONAL HDPE SKID ANGLES TO ACCOMMODATE THE INSERTION OF SRPE PIPE. SEE ATTACHED DRAWING.

INVOICE TO		SHIP TO	
ALL STATE AGENCIES VARIOUS LOCATIONS AS INDICATED BY ORDER		STATE OF WEST VIRGINIA VARIOUS LOCATIONS AS INDICATED BY ORDER	
No City	WV99999	No City	WV 99999
US		US	

Line	Comm Ln Desc	Qty	Unit Issue	Unit Price	Total Price
69	OPTIONAL HDPE SKID TUBING	1	EACH	\$80.00	\$80.00

Comm Code	Manufacturer	Specification	Model #
40171500	Contech Engineered Solutions LLC		

**Extended Description :**

OPTIONAL HDPE SKID TUBING TO ACCOMMODATE THE INSERTION OF SRPE PIPE. SEE ATTACHED DRAWING.

INVOICE TO		SHIP TO	
ALL STATE AGENCIES VARIOUS LOCATIONS AS INDICATED BY ORDER		STATE OF WEST VIRGINIA VARIOUS LOCATIONS AS INDICATED BY ORDER	
No City	WV99999	No City	WV 99999
US		US	

Line	Comm Ln Desc	Qty	Unit Issue	Unit Price	Total Price
70	OPTIONAL GROUT PORT	1	EACH	\$85.00	\$85.00

Comm Code	Manufacturer	Specification	Model #
40171500	Contech Engineered Solutions LLC		

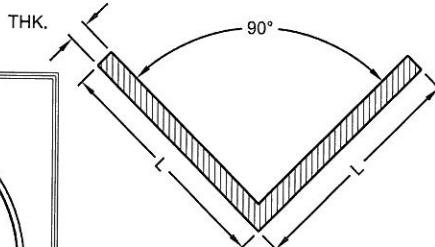
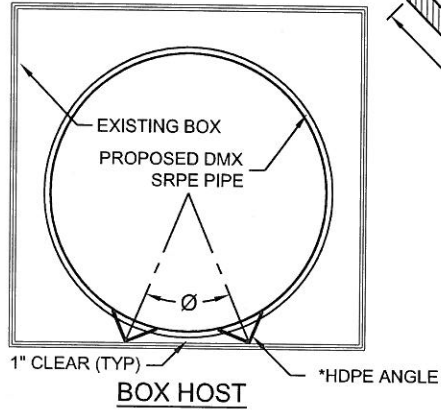
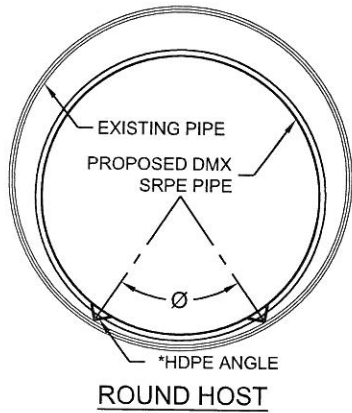
**Extended Description :**

OPTIONAL GROUT PORT TO ACCOMMODATE GROUTING OR ANTI-FLOATATION JACKS. SEE ATTACHED BROCHURE.

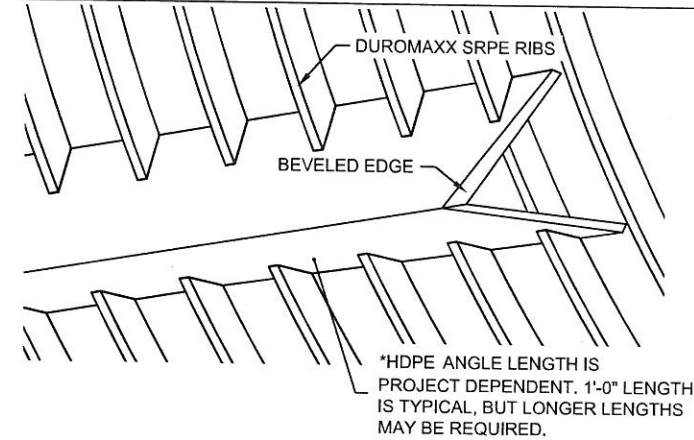
<b>DOT1500000019</b>	<b>Document Phase</b> Final	<b>Document Description</b> CULVERT PIPE LINER AND CULVERT INLET BELLS	<b>Page</b> 27 of 27
----------------------	--------------------------------	--	----------------------------

**ADDITIONAL TERMS AND CONDITIONS**

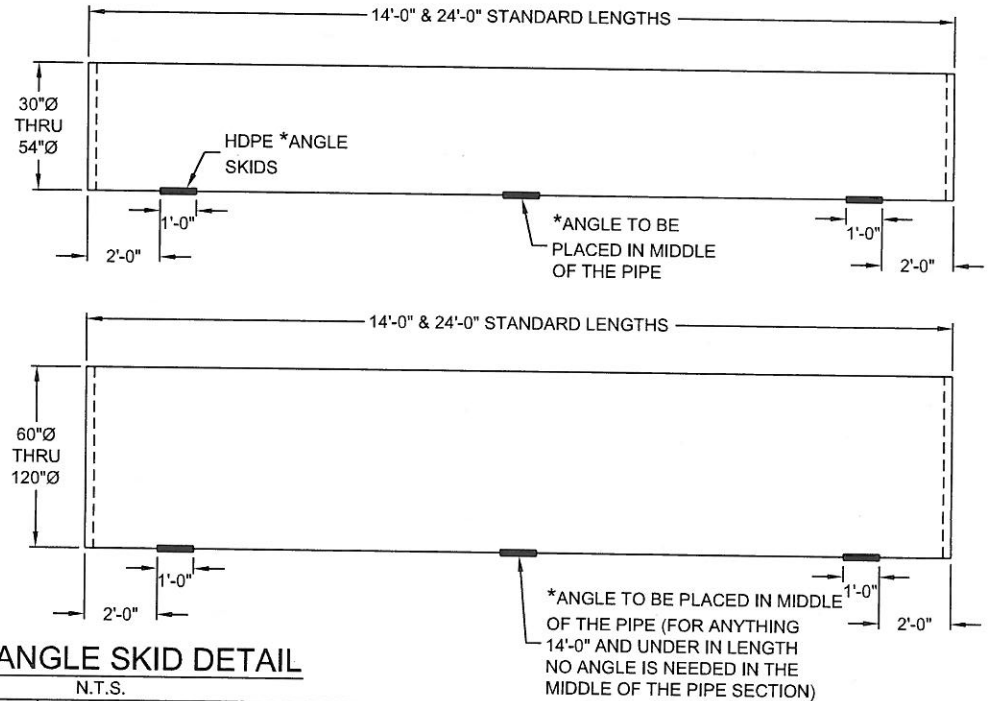
See attached document(s) for additional Terms and Conditions



WELDED HDPE ANGLE  
 L = 3" THK = 0.25"  
 L = 4" THK = 0.25"  
 L = 5" THK = 0.38"  
 L = 6" THK = 0.50"  
 L = 8" THK = 0.63"



PIPE Ø (in.)	ROUND HOST		BOX HOST	
	ANGLE SIZE (in.)	Ø°	ANGLE SIZE (in.)	Ø°
30	3"	45	4"	41.8
36	3"	45	4"	38.7
42	3"	45	5"	45.2
48	3"	45	5"	39.8
54	4"	45	6"	44.2
60	4"	45	6"	41.7
66	4"	45	6"	38.1
72	4"	45	6"	36.7
84	5"	45	8"	42.7
96	5"	45	8"	40.2
108	5"	45	8"	37.9
120	5"	45	8"	36.4



HDPE ANGLE SKID DETAIL  
 N.T.S.

720-DMX-RELINE SKID

**CONTECH**  
 ENGINEERED SOLUTIONS LLC  
 www.ContechES.com

9025 Centre Pointe Dr., Suite 400, West Chester, OH 45069  
 800-338-1122 513-645-7000 513-645-7993 FAX

**DuroMaxx**  
 STEEL REINFORCED PE TECHNOLOGY

DATE DRAWN: 8-06-14

REV #:

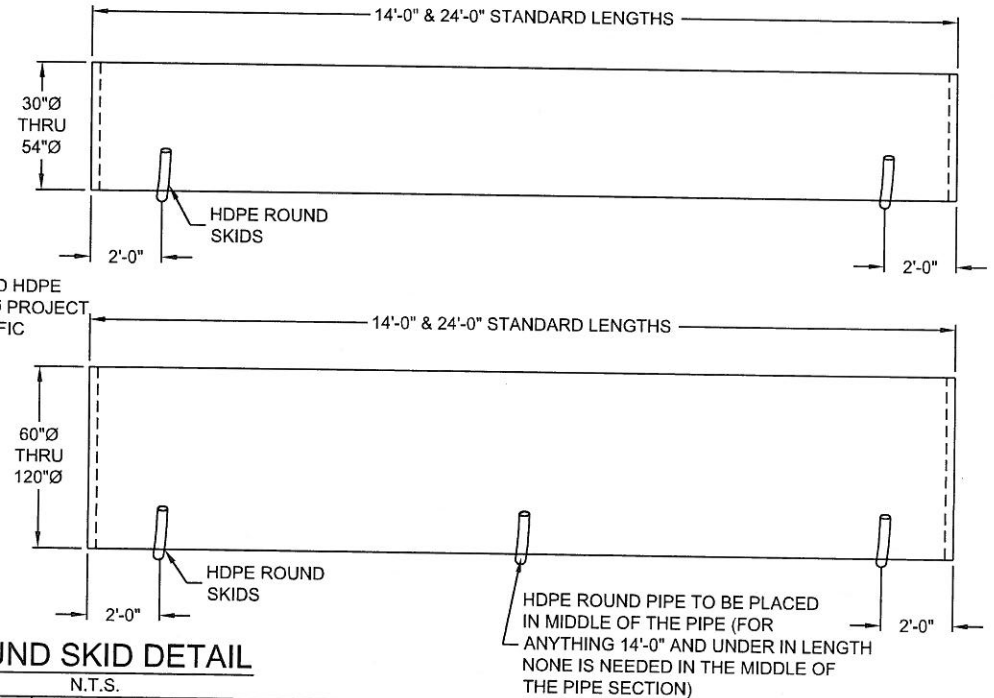
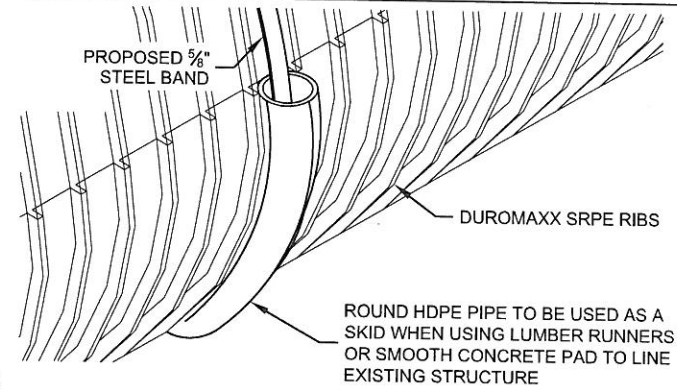
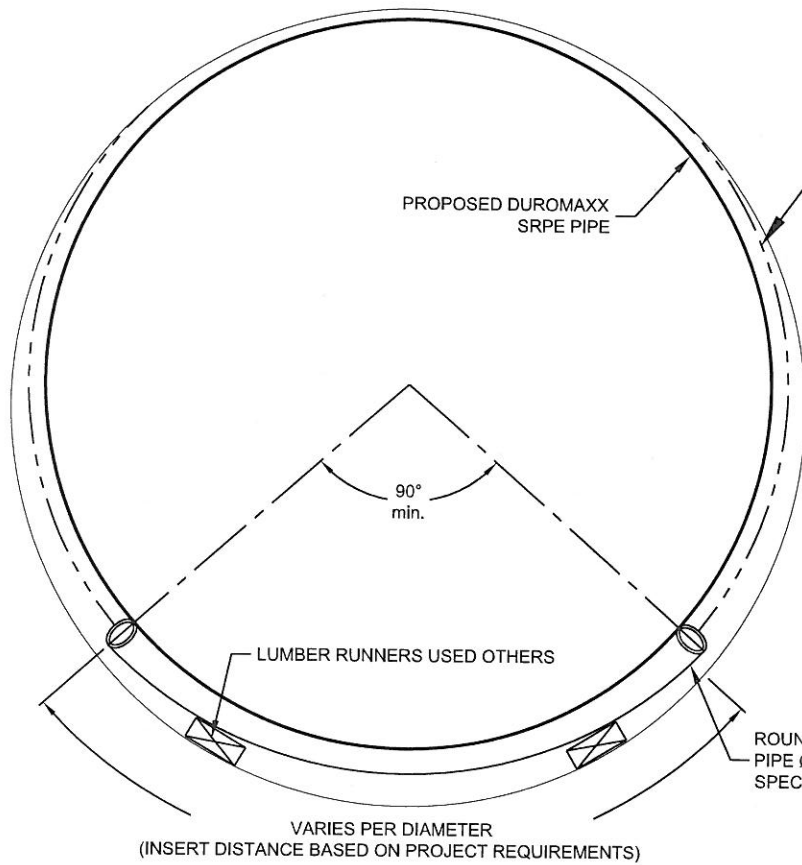
REV DATE:

SCALE: ---

DRAWING TYPE: ---

720 - DuroMaxx  
 STANDARD RELINE  
 SKID RAIL w-Angles





**NOTE:**

TUBING ON 66" Ø PIPE AND LARGER SHALL BE 2" HDPE PIPE, SOLID WALL THICKNESS OF SDR 17 OR LESS.

721-DMX-RELINE SKID W-TUBING



9025 Centre Pointe Dr., Suite 400, West Chester, OH 45069  
800-338-1122 513-645-7000 513-645-7993 FAX



DATE DRAWN: 8-06-14

REV #: 01

REV DATE: 1-01-15

SCALE: ---

DRAWING TYPE: ---

721 - DuroMaxx  
STANDARD RELINE  
SKID RAIL w-TUBING

REQUEST FOR QUOTATION  
Culvert Pipe Liner and Culvert Inlet Bells

---

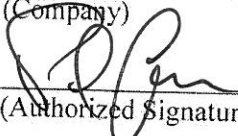
with the provisions contained in this Contract.

- 8.2 Vendor Supply:** Vendor must carry sufficient inventory of the Contract Items being offered to fulfill its obligations under this Contract. By signing its bid, Vendor certifies that it can supply the Contract Items contained in its bid response.
- 8.3 Reports:** Vendor shall provide quarterly reports and annual summaries to the Agency showing the Agency's items purchased, quantities of items purchased and total dollar value of the items purchased. Vendor shall also provide reports, upon request, showing the items purchased during the term of this Contract, the quantity purchased for each of those items and the total value of purchases for each of those items. Failure to supply such reports may be grounds for cancellation of this Contract.
- 8.4 Contract Manager:** During its performance of the Contract, Vendor must designate and maintain a primary contract manager responsible for overseeing Vendor's responsibilities under this Contract. The Contract Manager must be available during normal business hours to address any customer service or other issues related to this Contract. Vendor should list its Contract Manager and his or her contact information below.

**Contract Manager:** Paul Filipiak  
**Telephone Number:** 304-545-7285  
**Fax Number:** 513-645-7876  
**Email Address:** pfilipiak@conteches.com

**CERTIFICATION AND SIGNATURE PAGE**

By signing below, or submitting documentation through wvOASIS, I certify that I have reviewed this Solicitation in its entirety; understand the requirements, terms and conditions, and other information contained herein; that I am submitting this bid, offer or proposal for review and consideration; that I am authorized by the vendor to execute and submit this bid, offer, or proposal, or any documents related thereto on vendor's behalf; that I am authorized to bind the vendor in a contractual relationship; and that to the best of my knowledge, the vendor has properly registered with any State agency that may require registration.

CONTECH ENGINEERED SOLUTIONS LLC  
(Company) PAUL FILIPIAK  
  
(Authorized Signature) (Representative Name, Title) REGIONAL SALES ENGINEER

Ph 304-545-7285 Fx 513-645-7876 1-6-15  
(Phone Number) (Fax Number) (Date)

ADDENDUM ACKNOWLEDGEMENT FORM  
SOLICITATION NO.: CRFQ DOT1500000019

Instructions: Please acknowledge receipt of all addenda issued with this solicitation by completing this addendum acknowledgment form. Check the box next to each addendum received and sign below. Failure to acknowledge addenda may result in bid disqualification.

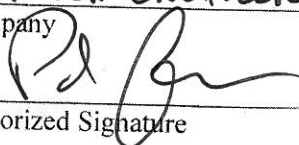
Acknowledgment: I hereby acknowledge receipt of the following addenda and have made the necessary revisions to my proposal, plans and/or specification, etc.

Addendum Numbers Received:  
(Check the box next to each addendum received)

- |  |  |
|--|--|
| <input checked="" type="checkbox"/> Addendum No. 1 | <input type="checkbox"/> Addendum No. 6  |
| <input type="checkbox"/> Addendum No. 2            | <input type="checkbox"/> Addendum No. 7  |
| <input type="checkbox"/> Addendum No. 3            | <input type="checkbox"/> Addendum No. 8  |
| <input type="checkbox"/> Addendum No. 4            | <input type="checkbox"/> Addendum No. 9  |
| <input type="checkbox"/> Addendum No. 5            | <input type="checkbox"/> Addendum No. 10 |

I understand that failure to confirm the receipt of addenda may be cause for rejection of this bid. I further understand that any verbal representation made or assumed to be made during any oral discussion held between Vendor's representatives and any state personnel is not binding. Only the information issued in writing and added to the specifications by an official addendum is binding.

CONTECH ENGINEERED SOLUTIONS LLC  
Company

  
Authorized Signature

1-6-15  
Date

NOTE: This addendum acknowledgement should be submitted with the bid to expedite document processing.

STATE OF WEST VIRGINIA  
Purchasing Division

**PURCHASING AFFIDAVIT**

**MANDATE:** Under W. Va. Code §5A-3-10a, no contract or renewal of any contract may be awarded by the state or any of its political subdivisions to any vendor or prospective vendor when the vendor or prospective vendor or a related party to the vendor or prospective vendor is a debtor and: (1) the debt owed is an amount greater than one thousand dollars in the aggregate; or (2) the debtor is in employer default.

**EXCEPTION:** The prohibition listed above does not apply where a vendor has contested any tax administered pursuant to chapter eleven of the W. Va. Code, workers' compensation premium, permit fee or environmental fee or assessment and the matter has not become final or where the vendor has entered into a payment plan or agreement and the vendor is not in default of any of the provisions of such plan or agreement.

**DEFINITIONS:**

**"Debt"** means any assessment, premium, penalty, fine, tax or other amount of money owed to the state or any of its political subdivisions because of a judgment, fine, permit violation, license assessment, defaulted workers' compensation premium, penalty or other assessment presently delinquent or due and required to be paid to the state or any of its political subdivisions, including any interest or additional penalties accrued thereon.

**"Employer default"** means having an outstanding balance or liability to the old fund or to the uninsured employers' fund or being in policy default, as defined in W. Va. Code § 23-2c-2, failure to maintain mandatory workers' compensation coverage, or failure to fully meet its obligations as a workers' compensation self-insured employer. An employer is not in employer default if it has entered into a repayment agreement with the Insurance Commissioner and remains in compliance with the obligations under the repayment agreement.

**"Related party"** means a party, whether an individual, corporation, partnership, association, limited liability company or any other form or business association or other entity whatsoever, related to any vendor by blood, marriage, ownership or contract through which the party has a relationship of ownership or other interest with the vendor so that the party will actually or by effect receive or control a portion of the benefit, profit or other consideration from performance of a vendor contract with the party receiving an amount that meets or exceeds five percent of the total contract amount.

**AFFIRMATION:** By signing this form, the vendor's authorized signer affirms and acknowledges under penalty of law for false swearing (W. Va. Code §61-5-3) that neither vendor nor any related party owe a debt as defined above and that neither vendor nor any related party are in employer default as defined above, unless the debt or employer default is permitted under the exception above.

**WITNESS THE FOLLOWING SIGNATURE:**

Vendor's Name: Contech Engineered Solutions LLC

Authorized Signature: [Signature] Date: 1-7-15

State of WV

County of Kanawha, to-wit:

Taken, subscribed, and sworn to before me this 7<sup>th</sup> day of JANUARY, 2015.

My Commission expires 1-13-2024, 20  .

**AFFIX SEAL HERE**

**NOTARY PUBLIC** [Signature]

*Purchasing Affidavit (Revised 07/01/2012)*

