



West Virginia Purchasing Division

2019 Washington Street, East
Charleston, WV 25305
Telephone: 304-558-2306
General Fax: 304-558-6026
Bid Fax: 304-558-3970

The following documentation is an electronically-submitted vendor response to an advertised solicitation from the *West Virginia Purchasing Bulletin* within the Vendor Self-Service portal at ***wvOASIS.gov***. As part of the State of West Virginia's procurement process, and to maintain the transparency of the bid-opening process, this documentation submitted online is publicly posted by the West Virginia Purchasing Division at ***WVPurchasing.gov*** with any other vendor responses to this solicitation submitted to the Purchasing Division in hard copy format.

Header

 List View

General Information

Contact

Default Values

Discount

Document Information

Procurement Folder: 30005

SO Doc Code: CRFQ

Procurement Type: Central Purchase Order

SO Dept: 0506

Vendor ID: 000000224261



SO Doc ID: HOP1500000002

Legal Name: PRODUCTS UNLIMITED INC

Published Date: 1/2/15

Alias/DBA:

Close Date: 1/8/15

Total Bid: \$33,900.00

Close Time: 13:30

Response Date: 01/08/2015



Status: Closed

Response Time: 13:15

Solicitation Description: ADDENDUM NO. 1 RESIDENT BATHING TUBS

Total of Header Attachments: 0

Total of All Attachments: 0



Purchasing Division
 2019 Washington Street East
 Post Office Box 50130
 Charleston, WV 25305-0130

**State Of West Virginia
 Solicitation Response**

Proc Folder : 30005

Solicitation Description : ADDENDUM NO. 1 RESIDENT BATHING TUBS

Proc Type : Central Purchase Order

Date issued	Solicitation Closes	Solicitation No	Version
	2015-01-08 13:30:00	SR 0506 ESR01081500000001614	1

VENDOR
000000224261 PRODUCTS UNLIMITED INC

FOR INFORMATION CONTACT THE BUYER
 Gregory Clay
 (304) 558-2566
 gregory.c.clay@wv.gov

Signature X **FEIN #** **DATE**

All offers subject to all terms and conditions contained in this solicitation

Line	Comm Ln Desc	Qty	Unit Issue	Unit Price	Ln Total Or Contract Amount
1	CASCADE AQUA-AIRE RESIDENT BATHING TUB, PT360010-1WT OR	2.00000	EA	\$16,950.00	

Comm Code	Manufacturer	Specification	Model #
30181501			

Extended Description : Addendum No. 1 has been issued to answer vendor questions as attachment A.
 Cascade Aqua-Aire PT#360010-1WT or equal including warranty and shipping per the attached specification.

ADDENDUM ACKNOWLEDGEMENT FORM
SOLICITATION NO.: HOP1500000002

Instructions: Please acknowledge receipt of all addenda issued with this solicitation by completing this addendum acknowledgment form. Check the box next to each addendum received and sign below. Failure to acknowledge addenda may result in bid disqualification.

Acknowledgment: I hereby acknowledge receipt of the following addenda and have made the necessary revisions to my proposal, plans and/or specification, etc.

Addendum Numbers Received:

(Check the box next to each addendum received)

- | | |
|--|--|
| <input checked="" type="checkbox"/> Addendum No. 1 | <input type="checkbox"/> Addendum No. 6 |
| <input type="checkbox"/> Addendum No. 2 | <input type="checkbox"/> Addendum No. 7 |
| <input type="checkbox"/> Addendum No. 3 | <input type="checkbox"/> Addendum No. 8 |
| <input type="checkbox"/> Addendum No. 4 | <input type="checkbox"/> Addendum No. 9 |
| <input type="checkbox"/> Addendum No. 5 | <input type="checkbox"/> Addendum No. 10 |

I understand that failure to confirm the receipt of addenda may be cause for rejection of this bid. I further understand that any verbal representation made or assumed to be made during any oral discussion held between Vendor's representatives and any state personnel is not binding. Only the information issued in writing and added to the specifications by an official addendum is binding.

Products Unlimited, Inc.
Company


Authorized Signature

1/8/14
Date

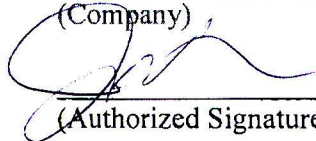
NOTE: This addendum acknowledgement should be submitted with the bid to expedite document processing.
Revised 6/8/2012

CERTIFICATION AND SIGNATURE PAGE

By signing below, or submitting documentation through wvOASIS, I certify that I have reviewed this Solicitation in its entirety; understand the requirements, terms and conditions, and other information contained herein; that I am submitting this bid, offer or proposal for review and consideration; that I am authorized by the vendor to execute and submit this bid, offer, or proposal, or any documents related thereto on vendor's behalf; that I am authorized to bind the vendor in a contractual relationship; and that to the best of my knowledge, the vendor has properly registered with any State agency that may require registration.

Foodlets Unlimited, LLC

(Company)



Joney Cooper, Account Executive

(Authorized Signature) (Representative Name, Title)

(800) 865-4683, (940) 648-3407, 1/8/15

(Phone Number) (Fax Number) (Date)

Note: Integrity Bath must be purchased or specified with the Integrity Transfer Chair. For more information please contact MasterCare.

**MasterCare Patient Equipment
Integrity Bath**

** including 10 year warranty*

**Standard Tub Models MB-80
Console Tub Models MB-80-R**

Dimensions:	Width:	Standard	(MB-80)	34 ½"
Bath:	Width:	Console	(MB-80-R)	52 ½"
	Length:	Standard	(MB-80)	70"
	Length:	Tub/Console	(MB-80-R)	79"
	Tub Rim Height:		(All Models)	36 ½"
	Console Height:	Console	(MB-80-R)	68"

Specifications:

Back Flow Prevention: 1" Air gap for tub fill, vacuum breakers for MB-80-R shower hoses. Watts N-9 double checks for MB-80 shower hoses. Note: The factory provided backflow prevention is the most widely accepted. Local codes may require changes, which is the responsibility of the local plumbing contractor.

BathAire^(SM) Outlets: 5 with 6 ports each for a total 30 warm air massage outlets.
Door Seal: Seal certified by Warnock Hersey to the ASME A112.19.15-2005 and ASTM D 2000 standards to insure long lasting durability for bathtubs with pressure sealed doors. Highly resistant to oils, detergents and all water conditions.

Electrical: UL/CSA approved 120V AC, 60 Hz, 15 Amp dead front GFCI (ground fault circuit interrupter)

Installation Time: 1 ½ hours **Inspection and Adjustments:** ½ hour

Liquids Storage: Located behind lockable service access doors.

Motor Specs: BathAire^(SM) Motor: 120 V., 11 Amps, 1.3 H.P. Variable speed with built-in 600 watt heating element for maximum comfort and control.

Patent: US 6,766,543 B1.

Room Size: Standard Model 6' wide x 9'4" long; Console model 6' wide x 10' long. Can fit in smaller room; call **MasterCare** with dimensions.

Service Access: Controlled access through lockable service doors.

Electrical Standards: **CAN/CSA C22.2 No. 218.2-93 (R2004) Hydromassage Bathtub Appliances.**

UL 1795 Hydromassage Bathtubs, Third Edition, Including revisions through to Sept. 22, 2006.

Plumbing Standards: **Warnock Hersey, CSA B45.5 (2008); ASME A112.19.15 (2005); CSA B45S1 (2004); ANSI Z124.1.2 (2005).**

State Standards: IL Dept. of Public Health, Product approval letter dated 10/28/04. Commonwealth of **Massachusetts**, Approval Code P3-1108-235 **Michigan State** Code Commission, Certificate of Acceptability No. 1554 PA. **Wisconsin** Administrative Code, In Compliance with chapters Comm. 82 through 84, Wis. Adm. Code, and Chapters 145-160, Wisconsin Statutes. Product File #20060062 & 20010143.

Establishment Registration: 30033336913

Switches: Membrane

Thermometer: Analog or digital temperature measurements.

Tub Entry: Door counter-balanced with simple guidance system for ease of operation.

Tub Fill/Shower: On-board high volume mixing valve tested to ASSE-1016-2005 and control volume shower wand with back flow prevention tested to ASME A112.18.3.

Tub Shell: Sanitary gel-coated FRP (Fiberglass Reinforced Polymer).

Tub Water Use: 55 gallons under normal conditions.

Waste: 2" PVC schedule 40 pipe.

Water Connection: ¾" hose swivel connections supplied by manufacturer

Water Supply: ¾" Copper hot and cold. Minimum of 30 PSI for hot and cold required. Maximum temperature of hot water supply 115° F or code, whichever is less. Shut off valves at unit supplied by local plumbing contractor.

Weight: MB-80 (420 lbs), MB-80-R (Tub 385 lbs, Console 240 lbs), MT-80 Transfer system (150 lbs).

Useful Life: Approximately 10 years--determined by use and conditions

Warning: 1) Risk of electrical shock; Disconnect electric power source before installation and subsequent servicing. 2) An equipment grounding terminal is provided in the field wiring compartment. To reduce the risk of electrical shock, this terminal must be connected to the grounding means provided in the electric supply panel with a conductor equivalent in size to the circuit conductors supplying this equipment. 3) Install this unit in accordance with the U.S. National Electrical Code in the U.S.A and the Canadian Electrical Code, Part I in Canada.

□1. Plan Bathing System Layout

FIG. # 1 Right Hinged Door

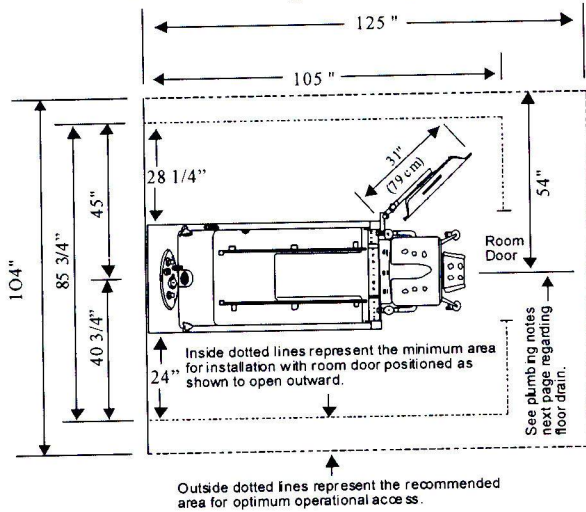
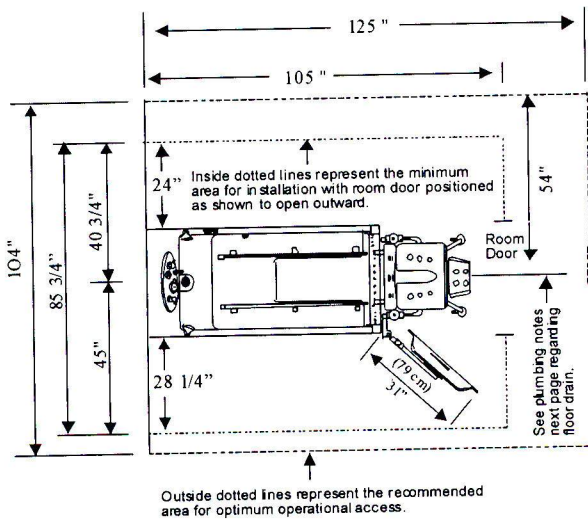
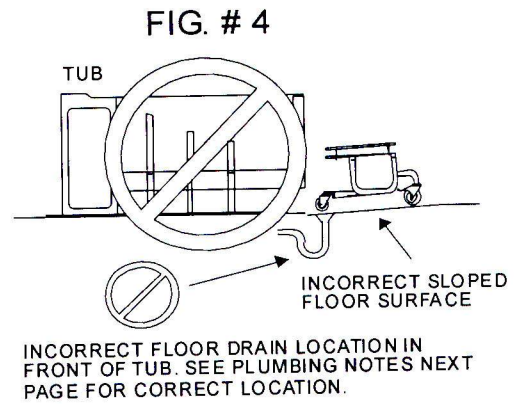
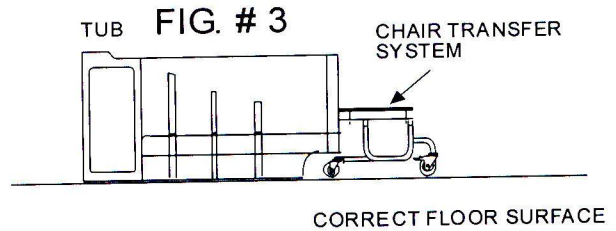


FIG. # 2 Left Hinged Door



Floor Surface: Correct & Incorrect



Warning/Guide:

- ☞ Choose flattest floor location.
- ☞ Make sure sufficient room is provided to allow unobstructed area for transfer in and out of the tub with the transfer system.
- ☞ Room dimensions, door sizes and floor drain placement, must comply with all applicable building and health codes.

Caution:

- ☞ Figure #1 and #2 tub placement is critical for access to disinfectant and oil/shampoo dispensing service access panels on both sides.
- ☞ Space around system is needed to allow access to resident, disinfectant & dispensing systems and maintenance service access doors on both sides.



Gen II Mixing Valve Requirements:

The **MasterCare** Bathing System for safety purposes is supplied with a thermostatic mixing valve that is ASSE 1016-T listed, UPC listed and CSA certified to the most stringent mixing valve safety standards in the industry.

To achieve optimum results the valve manufacturer requires 120° F hot water supply at the valve and 59° F cold water supply at the valve. These temperatures will achieve a 100° F blend of water.

Note: After installation and before use verify that the cartridge screens are clean. Remove and carefully clean any debris from the screens.

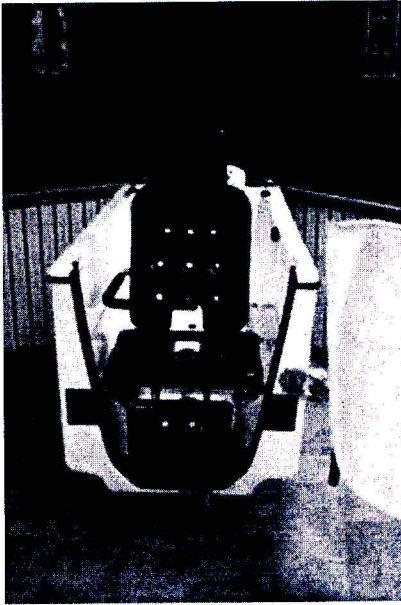
If the water heaters temperature is regulated at the source with a tempering valve the hot water temperature by the time it reaches the mixing valve on the bathing system may be inadequate (based on line size, distance water must travel and insulation) corrective options are as follows.

Preferred Option:

1. Run a dedicated ¾" hot water line to the tub with 120° F minimum to 150° F maximum water temperature at 45 PSI to the high pressure hot water hose connecting to the mixing valve on the tub. Note: **MasterCare** provides a code approved point of use ASSE 1016-T listed mixing valve to safely regulate the tub and shower temperature in the bathing system.

Alternative Options:

1. Adjust the **MasterCare** Gen II Mixing Valve to compensate for inadequate hot water supply.
2. Order a **MasterCare** manual mixing valve override knob. This knob will allow for a manual override of the anti-scald thermostatic mixing valve. Note: A signed release exempting **MasterCare** from liability will be required.
3. Slightly restrict the cold water supply to provide more hot water.



* including 10 year
warranty with
cost

Features

- Versatile options to suit levels of care & placement requirements within each facility
- Metal components on transporter (and on rails for tubs with lock in chairs) are made of stainless steel or powder coated aluminum
- Automatic Controlled Dispensing
- BathAire(sm): The only closed-loop air system on the market
- Aromatherapy
- Certified plumbing package, push button controls and GFCI reset
- 2" Pop-up drain and overflow as well as factory plumbed casual water drain
- Commode attachment standard
- Adjustable leg rest on lock in chair standard
- Two articulating arm rests standard on lock in chair; one on transporter
- Padded seat & back for lock in chair, or comfort pads for Transporter, plus security belts & pads included with purchase
- Optional rapid-fill reservoir
- Optional FlushCare (Toilet in a Tub)
- Optional Tilt in Space for Transporter Chair
- Optional water-resistant scale for Transporter

Advantages

- Suits all levels of resident care & installs in most bathing room configurations
- All metal components are non-corrosive
- Push button automatic dispensing that controls preset, precise amounts of product electronically
- Superior hygenic alternative to whirlpool or open-air systems
- Relaxing addition, and standard feature, on every MasterCare model

- Allows for easy operation of all controls
- Tub drains quickly and diverts residual water
- Catches any “accidents” that may happen during transfer and right before bath
- Keeps resident’s feet off the ground during transfers
- Provides security and comfort during transfers and bath
- Provides comfort during the bath
- Fills tub in approximately 90 seconds
- FlushCare helps to minimize the number of transfer stresses for resident and caregiver as a result of incontinence
- Adjustable back offers an infinite number of recline positions
- Weights can be taken at a predetermined time under similar circumstances each time

Benefits

- A model with features to meet most needs
- No worry about metal rusting
- Less waste of liquid products
- Creating the most sanitary spa experience for your residents
- Enhances mood, cognitive function and health
- User friendly controls makes training easy
- Preserves resident dignity
- Adjusts to resident’s preference and brings feet to a more workable height for caregiver
- Arm rests move out of the way for easier access to resident
- Soft and comfortable
- Expedites filling the tub
- MasterCare’s toileting feature can be integrated into facility’s existing bladder and bowel retraining programs
- Recline to each resident’s preference-customize each bath
- One less additional step for caregiver with the integration of the scale on the transfer
- The Integrity bath’s features help make bath time more enjoyable for residents and staff