



State of West Virginia
 Department of Administration
 Purchasing Division
 2019 Washington Street East
 Post Office Box 50130
 Charleston, WV 25305-0130

Solicitation

NUMBER
HUT993

PAGE
1

ADDRESS CORRESPONDENCE TO ATTENTION OF:
TARA LYLE 304-558-2544

VENDOR	*C08142531	304-766-0000
	NEWTECH SYSTEMS INC	
	PO BOX 310	
	420 16TH ST	
	DUNBAR WV 25064	

SHIP TO	HUTTONSVILLE CORRECTIONAL CENTER
	ATTENTION: KEN HOLBROOK
	ROUTE 250 SOUTH
	HUTTONSVILLE, WV 26273
	335-2291

DATE PRINTED
05/29/2013

BID OPENING DATE: 06/05/2013 BID OPENING TIME 1:30PM

LINE	QUANTITY	UOP	CAT. NO.	ITEM NUMBER	UNIT PRICE	AMOUNT
ADDENDUM NO. 1 SEE ATTACHED PAGES. END OF ADDENDUM NO. 1						
0001	147	EA		655-30	219.80	\$32,310.60
	DOME CAMERA					
0002	9	EA		840-71	1,834.00	\$16,506.00
	DVR					
0003	8	EA		655-27	180.35	\$1,442.80
	POWER SUPPLY					
06/05/13 10:05:41 AM West Virginia Purchasing Division						\$50,259.40

SIGNATURE	<i>Mike Boyd</i>	TELEPHONE	304-766-0000	DATE	June 5, 2013
TITLE	VP / Gen Mgr	FEIN	205736303	ADDRESS CHANGES TO BE NOTED ABOVE	

WHEN RESPONDING TO SOLICITATION, INSERT NAME AND ADDRESS IN SPACE ABOVE LABELED 'VENDOR'

REQUEST FOR QUOTATION
HUT993 Surveillance Equipment: Cameras, DVR & Power Supply

000024

HUT993
EXHIBIT A
PRICING PAGE

Item #	Description	Quantity	Unit Price	Extended Total
3.1.1	Dome Cameras IP66 Varifocal lens	147	219.80	\$ 32,310.60
3.1.2	(DVR 31) H.264 Dual Streaming	9	1,834.00	\$ 16,506.00
3.1.3	Power Supply 16 Fuse 24VAC @12.5A	8	180.35	\$ 1,442.80
TOTAL COST:				\$ 50,259.40

Failure to use this form may result in disqualification

Bidder/Vendor Information

Name: Newtech Systems Inc.

Address: 420 16th St

Dunbar, WV 25064

Phone: 304-766-0000

Fax: 766-0003

Authorized Signature: Mike Bryant

State of West Virginia VENDOR PREFERENCE CERTIFICATE

Certification and application* is hereby made for Preference in accordance with **West Virginia Code**, §5A-3-37. (Does not apply to construction contracts). **West Virginia Code**, §5A-3-37, provides an opportunity for qualifying vendors to request (at the time of bid) preference for their residency status. Such preference is an evaluation method only and will be applied only to the cost bid in accordance with the **West Virginia Code**. This certificate for application is to be used to request such preference. The Purchasing Division will make the determination of the Resident Vendor Preference, if applicable.

- 1. **Application is made for 2.5% resident vendor preference for the reason checked:**
 Bidder is an individual resident vendor and has resided continuously in West Virginia for four (4) years immediately preceding the date of this certification; **or,**
 Bidder is a partnership, association or corporation resident vendor and has maintained its headquarters or principal place of business continuously in West Virginia for four (4) years immediately preceding the date of this certification; **or 80%** of the ownership interest of Bidder is held by another individual, partnership, association or corporation resident vendor who has maintained its headquarters or principal place of business continuously in West Virginia for four (4) years immediately preceding the date of this certification; **or,**
 Bidder is a nonresident vendor which has an affiliate or subsidiary which employs a minimum of one hundred state residents and which has maintained its headquarters or principal place of business within West Virginia continuously for the four (4) years immediately preceding the date of this certification; **or,**
- 2. **Application is made for 2.5% resident vendor preference for the reason checked:**
 Bidder is a resident vendor who certifies that, during the life of the contract, on average at least 75% of the employees working on the project being bid are residents of West Virginia who have resided in the state continuously for the two years immediately preceding submission of this bid; **or,**
- 3. **Application is made for 2.5% resident vendor preference for the reason checked:**
 Bidder is a nonresident vendor employing a minimum of one hundred state residents or is a nonresident vendor with an affiliate or subsidiary which maintains its headquarters or principal place of business within West Virginia employing a minimum of one hundred state residents who certifies that, during the life of the contract, on average at least 75% of the employees or Bidder's affiliate's or subsidiary's employees are residents of West Virginia who have resided in the state continuously for the two years immediately preceding submission of this bid; **or,**
- 4. **Application is made for 5% resident vendor preference for the reason checked:**
 Bidder meets either the requirement of both subdivisions (1) and (2) or subdivision (1) and (3) as stated above; **or,**
- 5. **Application is made for 3.5% resident vendor preference who is a veteran for the reason checked:**
 Bidder is an individual resident vendor who is a veteran of the United States armed forces, the reserves or the National Guard and has resided in West Virginia continuously for the four years immediately preceding the date on which the bid is submitted; **or,**
- 6. **Application is made for 3.5% resident vendor preference who is a veteran for the reason checked:**
 Bidder is a resident vendor who is a veteran of the United States armed forces, the reserves or the National Guard, if, for purposes of producing or distributing the commodities or completing the project which is the subject of the vendor's bid and continuously over the entire term of the project, on average at least seventy-five percent of the vendor's employees are residents of West Virginia who have resided in the state continuously for the two immediately preceding years.
- 7. **Application is made for preference as a non-resident small, women- and minority-owned business, in accordance with West Virginia Code §5A-3-59 and West Virginia Code of State Rules.**
 Bidder has been or expects to be approved prior to contract award by the Purchasing Division as a certified small, women- and minority-owned business.

Bidder understands if the Secretary of Revenue determines that a Bidder receiving preference has failed to continue to meet the requirements for such preference, the Secretary may order the Director of Purchasing to: (a) reject the bid; or (b) assess a penalty against such Bidder in an amount not to exceed 5% of the bid amount and that such penalty will be paid to the contracting agency or deducted from any unpaid balance on the contract or purchase order.

By submission of this certificate, Bidder agrees to disclose any reasonably requested information to the Purchasing Division and authorizes the Department of Revenue to disclose to the Director of Purchasing appropriate information verifying that Bidder has paid the required business taxes, provided that such information does not contain the amounts of taxes paid nor any other information deemed by the Tax Commissioner to be confidential.

Under penalty of law for false swearing (West Virginia Code, §61-5-3), Bidder hereby certifies that this certificate is true and accurate in all respects; and that if a contract is issued to Bidder and if anything contained within this certificate changes during the term of the contract, Bidder will notify the Purchasing Division in writing immediately.

Bidder: Newtech Systems Inc Signed: [Signature]
Date: June 5, 2013 Title: VP / Gen Mgr

CERTIFICATION AND SIGNATURE PAGE

By signing below, I certify that I have reviewed this Solicitation in its entirety; understand the requirements, terms and conditions, and other information contained herein; that I am submitting this bid or proposal for review and consideration; that I am authorized by the bidder to execute this bid or any documents related thereto on bidder's behalf; that I am authorized to bind the bidder in a contractual relationship; and that to the best of my knowledge, the bidder has properly registered with any State agency that may require registration.

Newtech Systems Inc

(Company)

Mike Bryant

(Authorized Signature)

Mike Bryant VP/Gen Mgr

(Representative Name, Title)

304-766-0000

(Phone Number)

766-0003

(Fax Number)

June 5, 2013

(Date)

ADDENDUM ACKNOWLEDGEMENT FORM
SOLICITATION NO.: HUT993

Instructions: Please acknowledge receipt of all addenda issued with this solicitation by completing this addendum acknowledgment form. Check the box next to each addendum received and sign below. Failure to acknowledge addenda may result in bid disqualification.

Acknowledgment: I hereby acknowledge receipt of the following addenda and have made the necessary revisions to my proposal, plans and/or specification, etc.

Addendum Numbers Received:

(Check the box next to each addendum received)

- | | |
|--|--|
| <input checked="" type="checkbox"/> Addendum No. 1 | <input type="checkbox"/> Addendum No. 6 |
| <input type="checkbox"/> Addendum No. 2 | <input type="checkbox"/> Addendum No. 7 |
| <input type="checkbox"/> Addendum No. 3 | <input type="checkbox"/> Addendum No. 8 |
| <input type="checkbox"/> Addendum No. 4 | <input type="checkbox"/> Addendum No. 9 |
| <input type="checkbox"/> Addendum No. 5 | <input type="checkbox"/> Addendum No. 10 |

I understand that failure to confirm the receipt of addenda may be cause for rejection of this bid. I further understand that that any verbal representation made or assumed to be made during any oral discussion held between Vendor's representatives and any state personnel is not binding. Only the information issued in writing and added to the specifications by an official addendum is binding.

Newtech Systems Inc
 Company

Mike Bryant
 Authorized Signature

June 5, 2013
 Date

NOTE: This addendum acknowledgment should be submitted with the bid to expedite document processing.



420 16th Street
Dunbar, WV 25064
office: 304-766-0000
fax: 304-766-0003
www.newtechwv.com

To: WV DOA Purchasing Division
Attn: Tara Lyle
2019 Washington St E
Charleston, WV 25305
Phone: 304-558-2544 Fax:

Quote: MVOTQ1770
Date: 06/04/13
Terms: Net 30
Sales Tax: Not Included
FOB: Included
Expires: 60 Days

Project: Thank you for the opportunity to provide the following information for your RFP HUT993.

All equipment has a 3 year manufacturers warranty.

Qty	Manufacturer	Part Number	Description	Unit	Extended
147	CEC	CE-VX40	Color Camera 600 TVL True Day/Night with 2.8 - 10.5mm Auto Iris Lens	\$219.80	\$32,310.60
9	CEC	CE-DVR1600/200	16 Channel DVR 1TB HDMI/VGA and network connection	\$1,834.00	\$16,506.00
8	Altronix	ALTV2416300ULC16	CAM PWR SPLY CLASS2 B	\$180.35	\$1,442.80

Grand Total: \$50,259.40

Price includes shipping.

If you should have any questions, please call.

Sincerely,


Michael Bryant
General Mgr.

Purchaser

Signature _____

Print Name _____

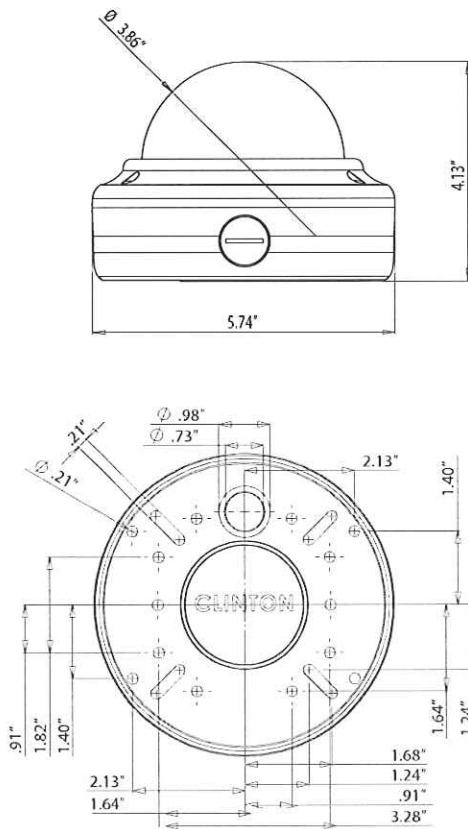
Authorized representative accepting terms and conditions for purchase.

Purchase Order _____ Date _____

Include any required billing information.



Dimensions



Recommended Power Supply

All Clinton Electronics Power Supplies

Optional Accessories

CE-VXWB	Wall Mount Bracket
CE-VXPC	3/4" Pendant Mount Cap
CE-VXRB	Black Rubber Vandal X Dome Cover
CE-VXRW	White Rubber Vandal X Dome Cover

CE-REMOTE

- Plugs directly into Camera
- Adjusts OSD Functions
- Test Monitor Connection

CE-VX40

Vandal X True Day/Night Dome Camera

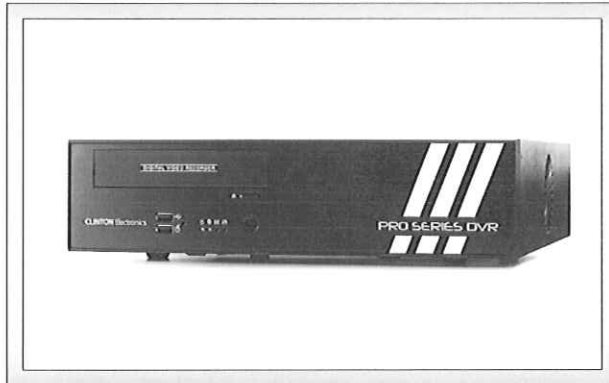
- Vandal Resistant Design
- SONY 1/3" CCD (Super HAD)
- 600 TVL Resolution
- 2.8 ~ 10.5mm (F1.2) Lens w/ True D/N Cut Filter
- S5 Digital Signal Processor
- Digital Noise Reduction (DNR)
- Sense Up Feature for Optimal Night Image
- Digital Image Stabilization (DIS)
- Back Light Compensation (BLC)
- High Light Compensation (HLC)
- OSD Menu Control (Built-in Joystick or CE-REMOTE)
- 3-Axis Adjustment
- DC12V / AC24V
- UL Listed

Specifications

Camera	CE-VX40
Image Sensor	1/3 Inch SONY (Super HAD) CCD
Resolution	600 TV Lines
Effective Pixels	768 (H) x 494 (V)
Scanning System	2:1 Interlace
S/N Ratio	52dB (AGC Off, Weight ON)
Sync System	Internal / Line Lock
Scanning Frequency	15.734 KHz (H), 59.94 Hz (V)
Minimum Illumination	0.05 Lux / F1.2 (Color), 0.0001 Lux w/Sense-Up at x256
Shutter Speed	1/60 ~ 1/100,000 sec.
Dynamic Range	62dB (Max.)
Lens	2.8 ~ 10.5mm (F1.2) w/True D/N Filter
Video Output	1.0Vp-p, 75Ω
Power Consumption	Max. 110mA (AC24V), Max. 220mA (DC12V)
Power Requirement	DC12V / AC24V
Operating Temperature	-20°F ~ 122°F
Weather Rating	IP 68
Dimensions	5.74" (Dia.) x 4.13" (H)
Weight	2.75 lbs.
OSD Menu	Control with OSD Joystick or CE-REMOTE
Lens	DC Video
Exposure	Brightness / Shutter / AGC / Sens-Up / Return
White Balance Control	ATW / Manual / AWC Set / Outdoor / Indoor
SSDR	OFF / ON
Backlight	OFF / BLC / HLC
DNR3	OFF / ON
Day/Night	Auto / Color / B&W / Extern
Special	Image Adj., Monitor, Cam Title, Sync, Motion Det., Privacy, Comm. Adj., Language, Return
Exit	Save / Not Save / Reset

Information in this document is subject to change





CE-DVR800

8 Channel Digital Video Recorder

- 1 TB SATA HDD Standard
- Up to 704 x 480 Recorded Resolution at Full Frame Rates
- 240 FPS Recorded / Live

CE-DVR1600

16 Channel Digital Video Recorder

- 1 TB SATA HDD Standard
- Up to 704 x 480 Recorded Resolution at Full Frame Rates
- 480 FPS Recorded / Live

Features

- Stand-alone Linux ASIC system.
- Full frame rates at full resolution recording capable.
- Up to 704 x 480 recorded resolution.
- Back-up to CD-RW, DVD-RW, HDD, eSATA, USB drive or to PC via SMS Remote Software.
- 1 TB SATA HDD comes standard. Holds up to three hard drives internally.
- Redundant operating system on flash memory and hard drive.
- Embedded remote software file on video clip for viewing on a PC without remote software installation.
- HDMI, VGA, and composite BNC main monitor outputs.
- Search by channel, time, date, motion, or events.
- Multiple recording rates for schedule, motion, event, time, and day.
- Pentaplex operation
- 1920 x 1080 monitor output
- eSATA external port
- RAID configurable
- E-Mail notification, pop-up window, log file
- Panorama search frame-by-frame
- Smart search
- View live & recorded content with the CEC Connect (iOS & Android*) App

Remote SMS Features and Specs

- Full remote function with different levels of authority.
- Convert to AVI or JPEG files easily.
- Static and dynamic IP capable.
- Connect and control multiple DVRs with up to 64 cameras on the same screen with the SMS remote software.
- Map overlay for quick camera identification.
- Network time synchronization for cluster viewing multiple DVRs.
- Free Windows (7, Vista, 2000, & XP) based remote client with full function and remote CD/DVD burning.

Specifications

Model	CE-DVR800	CE-DVR1600
Channel	8 CH	16 CH
Input	8	16
Loop Output	8	16
Monitoring Method		
Viewing / Recorded FPS	240/240	480/480
Zoom	Various Functions and Settings	
Sequence Display	Various Functions and Settings	
Real Time Display	240 FPS	480 FPS
Record / Play Function		
Recording Rate	240	480
Record Quality	Max. 240 FPS, 30 per CH	Max. 480 FPS, 30 per CH
Compression Method	Algorithm of MJPEG, JPEG, H.263 and H.264	
Recording Rates		
CIF	(352 x 240) = 240 FPS	(352 x 240) = 480 FPS
1/2 D1	(704 x 240) = 240 FPS	(704 x 240) = 480 FPS
D1	(704 x 480) = 240 FPS	(704 x 480) = 480 FPS
Other Functions		
Operation	Full Pentaplex	
Motion Detect	Various Functions and Settings	
Network Function	SMS Remote PC Software Included	
Alarm In/Out	8/1	16/4
Back-up	CD-RW, DVD-RW, HDD, eSATA, USB drive, or PC via SMS Remote Software	
PTZ	Control through mouse. Multiple protocols recognized.	
Storage	1 TB SATA HDD Standard (Holds up to 3 HDD internally) eSATA External Port	
Audio	16 / 8 CH Audio In / 1 CH Audio Out ADPCM Compression	
Mechanical		
Power Consumption	90 - 264 VAC 50 Watts	
Operating Temperature	41°F ~ 104°F	
Operating Humidity	Less than 90%	
Dimensions	13.78" (W) x 15.75" (D) x 3.46" (H)	
Weight	12.5 lbs. with 2 HDDs	

*Not all devices supported with CEC Connect App. Visit www.clintonelectronics.com for more info.

Information in this document is subject to change



ALTV2416300UL AC CCTV Power Supply

Rev. DSALTV2416300UL_10242012



ALTV2416300UL

Overview

ALTV2416300UL provides 24VAC or 28VAC distributed via Sixteen (16) fuse protected outputs for powering CCTV Cameras, heaters and other video accessories.

Specifications

Input:

- 115VAC, 50/60Hz, 2.7 amp.

Output:

- Sixteen (16) fuse protected outputs.
- 24VAC @ 12.5 amp (300VA) supply current (0.781 amp per device, 3.5 amp max.) or 28VAC @ 10 amp (280VA) supply current (0.625 amp per device, 3.5 amp max.).
- Outputs are rated @ 3.5 amp.
- Surge suppression.

Electrical:

- Operating temperature: 0° C to 49° C ambient.
- BTU/Hr.:
 - 24VAC: 153.55 BTU/Hr.
 - 28VAC: 143.31 BTU/Hr.

Electrical (cont'd):

- System AC input VA requirement: 310.5VA.

Features:

- Secondary fuse rated @ 10 amp/250V.
- AC power LED.
- Power ON/OFF switch.
- Spare fuses provided.
(all models w/primary and/or secondary fuses).

Mechanical:

- Enclosure Dimensions (H x W x D approx.): 13.5" (343mm) x 13" (330mm) x 3.25" (83mm)
- Product weight (approx.): 17.1 Lbs (7.756 kg)
- Shipping weight (approx.): 18.1 Lbs (8.21 kg)

Agency Approvals



UL Listed for Commercial CCTV Equipment (UL 2044).



CUL Listed - CSA Standard C22.2 No.1-98, Audio, Video and Similar Equipment.



European Conformity

RFQ No. HUT 993

STATE OF WEST VIRGINIA
Purchasing Division

PURCHASING AFFIDAVIT

MANDATE: Under W. Va. Code §5A-3-10a, no contract or renewal of any contract may be awarded by the state or any of its political subdivisions to any vendor or prospective vendor when the vendor or prospective vendor or a related party to the vendor or prospective vendor is a debtor and: (1) the debt owed is an amount greater than one thousand dollars in the aggregate; or (2) the debtor is in employer default.

EXCEPTION: The prohibition listed above does not apply where a vendor has contested any tax administered pursuant to chapter eleven of the W. Va. Code, workers' compensation premium, permit fee or environmental fee or assessment and the matter has not become final or where the vendor has entered into a payment plan or agreement and the vendor is not in default of any of the provisions of such plan or agreement.

DEFINITIONS:

"Debt" means any assessment, premium, penalty, fine, tax or other amount of money owed to the state or any of its political subdivisions because of a judgment, fine, permit violation, license assessment, defaulted workers' compensation premium, penalty or other assessment presently delinquent or due and required to be paid to the state or any of its political subdivisions, including any interest or additional penalties accrued thereon.

"Employer default" means having an outstanding balance or liability to the old fund or to the uninsured employers' fund or being in policy default, as defined in W. Va. Code § 23-2c-2, failure to maintain mandatory workers' compensation coverage, or failure to fully meet its obligations as a workers' compensation self-insured employer. An employer is not in employer default if it has entered into a repayment agreement with the Insurance Commissioner and remains in compliance with the obligations under the repayment agreement.

"Related party" means a party, whether an individual, corporation, partnership, association, limited liability company or any other form or business association or other entity whatsoever, related to any vendor by blood, marriage, ownership or contract through which the party has a relationship of ownership or other interest with the vendor so that the party will actually or by effect receive or control a portion of the benefit, profit or other consideration from performance of a vendor contract with the party receiving an amount that meets or exceeds five percent of the total contract amount.

AFFIRMATION: By signing this form, the vendor's authorized signer affirms and acknowledges under penalty of law for false swearing (W. Va. Code §61-5-3) that neither vendor nor any related party owe a debt as defined above and that neither vendor nor any related party are in employer default as defined above, unless the debt or employer default is permitted under the exception above.

WITNESS THE FOLLOWING SIGNATURE:

Vendor's Name: Newtech Systems Inc

Authorized Signature: Mike Bryant Date: June 5, 2013

State of WV

County of Kanawha, to-wit:

Taken, subscribed, and sworn to before me this 5th day of June, 2013.

My Commission expires 8/11/19, 2019

AFFIX SEAL HERE

NOTARY PUBLIC

Lora L. Harless

Purchasing Affidavit (Revised 07/01/2012)

