



State of West Virginia
 Department of Administration
 Purchasing Division
 2019 Washington Street East
 Post Office Box 50130
 Charleston, WV 25305-0130

Solicitation

NUMBER
HUT993

PAGE
1

ADDRESS CORRESPONDENCE TO ATTENTION OF:
TARA LYLE 304-558-2544

VENDOR

*709040556 304-755-0781
 MASON & BARRY INC
 101 SMILEY DR

 ST ALBANS WV 25177

SHIP TO

HUTTONSVILLE CORRECTIONAL
 CENTER
 ATTENTION: KEN HOLBROOK
 ROUTE 250 SOUTH
 HUTTONSVILLE, WV
 26273 335-2291

DATE PRINTED
05/16/2013

BID OPENING DATE: 06/05/2013 BID OPENING TIME 1:30PM

LINE	QUANTITY	UOP	CAT NO.	ITEM NUMBER	UNIT PRICE	AMOUNT
THE WEST VIRGINIA PURCHASING DIVISION FOR THE AGENCY, WV DIVISION OF CORRECTIONS, IS SOLICITING BIDS FOR DOME CAMERAS, DIGITAL VIDEO RECORDERS AND POWER SUPPLY FOR THE HUTTONSVILLE CORRECTIONAL CENTER, PER THE ATTACHED SPECIFICATIONS. ATTACHMENTS INCLUDE: 1. INSTRUCTIONS TO VENDORS SUBMITTING BIDS 2. GENERAL TERMS AND CONDITIONS 3. HUT993 SPECIFICATIONS 4. CERTIFICATION AND SIGNATURE PAGE 5. PURCHASING AFFIDAVIT 6. RESIDENT VENDOR PREFERENCE (RVP) FORM						
0001	147	EA		655-30 FD5-DV10-6	\$ 259.00	\$38,073.00
	DOME CAMERA					
0002	9	EA		840-71 DX 4816-2000	\$3,174.00	\$28,566.00
	DVR					

06/05/13 12:41:48 PM
 West Virginia Purchasing Division

SIGNATURE Mike Martin	TELEPHONE 304-755-0781	DATE 6/05/13
TITLE Sr. Vice President	FEIN 55-0436919	ADDRESS CHANGES TO BE NOTED ABOVE

WHEN RESPONDING TO SOLICITATION, INSERT NAME AND ADDRESS IN SPACE ABOVE LABELED 'VENDOR'



State of West Virginia
 Department of Administration
 Purchasing Division
 2019 Washington Street East
 Post Office Box 50130
 Charleston, WV 25305-0130

Solicitation

NUMBER
HUT993

PAGE
2

ADDRESS CORRESPONDENCE TO ATTENTION OF
TARA LYLE 304-558-2544

*709040556 304-755-0781

MASON & BARRY INC
 101 SMILEY DR

ST ALBANS WV 25177

V
E
N
D
O
R

S
H
I
P
T
O

HUTTONSVILLE CORRECTIONAL
 CENTER
 ATTENTION: KEN HOLBROOK
 ROUTE 250 SOUTH
 HUTTONSVILLE, WV
 26273 335-2291

DATE PRINTED
05/16/2013

BID OPENING DATE: 06/05/2013 BID OPENING TIME 1:30PM

LINE	QUANTITY	UOP	CAT NO	ITEM NUMBER	UNIT PRICE	AMOUNT
0003	8	EA		655-27 ALTV 2416 300 UL	\$161.00	\$ 1,288.00
***** THIS IS THE END OF RFQ HUT993 ***** TOTAL:						\$67,927.00

SIGNATURE Mike Martin	TELEPHONE 304-755-0781	DATE 6/5/2013
TITLE Sr. Vice President	FEIN 55-0436919	ADDRESS CHANGES TO BE NOTED ABOVE

WHEN RESPONDING TO SOLICITATION, INSERT NAME AND ADDRESS IN SPACE ABOVE LABELED 'VENDOR'

REQUEST FOR QUOTATION
HUT993 Surveillance Equipment: Cameras, DVR & Power Supply

000024

HUT993
EXHIBIT A
PRICING PAGE

Item #	Description	Quantity	Unit Price	Extended Total
3.1.1	Dome Cameras IP66 Varifocal lens	147	\$259.00	\$ 38,073.00
3.1.2	(DVR 31) H.264 Dual Streaming	9	\$3,174.00	\$ 28,566.00
3.1.3	Power Supply 16 Fuse 24VAC @12.5A	8	\$161.00	\$ 1,288.00
TOTAL COST:				\$ 67,927.00

Failure to use this form may result in disqualification

Bidder/Vendor Information

Name: Mason & Barry, Inc.

Address: 101 Smiley Drive

St. Albans, WV 25177

Phone: 304-755-0781

Fax: 304-755-4010

Authorized Signature: 

Mike Martin, Senior Vice President

CERTIFICATION AND SIGNATURE PAGE

By signing below, I certify that I have reviewed this Solicitation in its entirety; understand the requirements, terms and conditions, and other information contained herein; that I am submitting this bid or proposal for review and consideration; that I am authorized by the bidder to execute this bid or any documents related thereto on bidder's behalf; that I am authorized to bind the bidder in a contractual relationship; and that to the best of my knowledge, the bidder has properly registered with any State agency that may require registration.

Mason & Barry, Inc.

(Company)



(Authorized Signature)

Mike Martin
Senior Vice President

(Representative Name, Title)

304-755-0781

304-755-4010

(Phone Number)

(Fax Number)

June 5, 2013

(Date)

State of West Virginia

VENDOR PREFERENCE CERTIFICATE

Certification and application* is hereby made for Preference in accordance with West Virginia Code, §5A-3-37. (Does not apply to construction contracts). West Virginia Code, §5A-3-37, provides an opportunity for qualifying vendors to request (at the time of bid) preference for their residency status. Such preference is an evaluation method only and will be applied only to the cost bid in accordance with the West Virginia Code. This certificate for application is to be used to request such preference. The Purchasing Division will make the determination of the Resident Vendor Preference, if applicable.

- 1. Application is made for 2.5% resident vendor preference for the reason checked: Bidder is an individual resident vendor and has resided continuously in West Virginia for four (4) years immediately preceding the date of this certification; or, X Bidder is a partnership, association or corporation resident vendor and has maintained its headquarters or principal place of business continuously in West Virginia for four (4) years immediately preceding the date of this certification; or 80% of the ownership interest of Bidder is held by another individual, partnership, association or corporation resident vendor who has maintained its headquarters or principal place of business continuously in West Virginia for four (4) years immediately preceding the date of this certification; or, Bidder is a nonresident vendor which has an affiliate or subsidiary which employs a minimum of one hundred state residents and which has maintained its headquarters or principal place of business within West Virginia continuously for the four (4) years immediately preceding the date of this certification; or, 2. Application is made for 2.5% resident vendor preference for the reason checked: Bidder is a resident vendor who certifies that, during the life of the contract, on average at least 75% of the employees working on the project being bid are residents of West Virginia who have resided in the state continuously for the two years immediately preceding submission of this bid; or, 3. Application is made for 2.5% resident vendor preference for the reason checked: Bidder is a nonresident vendor employing a minimum of one hundred state residents or is a nonresident vendor with an affiliate or subsidiary which maintains its headquarters or principal place of business within West Virginia employing a minimum of one hundred state residents who certifies that, during the life of the contract, on average at least 75% of the employees or Bidder's affiliate's or subsidiary's employees are residents of West Virginia who have resided in the state continuously for the two years immediately preceding submission of this bid; or, 4. Application is made for 5% resident vendor preference for the reason checked: Bidder meets either the requirement of both subdivisions (1) and (2) or subdivision (1) and (3) as stated above; or, 5. Application is made for 3.5% resident vendor preference who is a veteran for the reason checked: Bidder is an individual resident vendor who is a veteran of the United States armed forces, the reserves or the National Guard and has resided in West Virginia continuously for the four years immediately preceding the date on which the bid is submitted; or, 6. Application is made for 3.5% resident vendor preference who is a veteran for the reason checked: Bidder is a resident vendor who is a veteran of the United States armed forces, the reserves or the National Guard, if, for purposes of producing or distributing the commodities or completing the project which is the subject of the vendor's bid and continuously over the entire term of the project, on average at least seventy-five percent of the vendor's employees are residents of West Virginia who have resided in the state continuously for the two immediately preceding years. 7. Application is made for preference as a non-resident small, women- and minority-owned business, in accordance with West Virginia Code §5A-3-59 and West Virginia Code of State Rules. Bidder has been or expects to be approved prior to contract award by the Purchasing Division as a certified small, women- and minority-owned business.

Bidder understands if the Secretary of Revenue determines that a Bidder receiving preference has failed to continue to meet the requirements for such preference, the Secretary may order the Director of Purchasing to: (a) reject the bid; or (b) assess a penalty against such Bidder in an amount not to exceed 5% of the bid amount and that such penalty will be paid to the contracting agency or deducted from any unpaid balance on the contract or purchase order.

By submission of this certificate, Bidder agrees to disclose any reasonably requested information to the Purchasing Division and authorizes the Department of Revenue to disclose to the Director of Purchasing appropriate information verifying that Bidder has paid the required business taxes, provided that such information does not contain the amounts of taxes paid nor any other information deemed by the Tax Commissioner to be confidential.

Under penalty of law for false swearing (West Virginia Code, §61-5-3), Bidder hereby certifies that this certificate is true and accurate in all respects; and that if a contract is issued to Bidder and if anything contained within this certificate changes during the term of the contract, Bidder will notify the Purchasing Division in writing immediately.

Bidder: Mason & Barry, Inc. Date: June 5, 2013

Signed: Mike Martin Title: Senior Vice President

ADDENDUM ACKNOWLEDGEMENT FORM
SOLICITATION NO.: HUT993

Instructions: Please acknowledge receipt of all addenda issued with this solicitation by completing this addendum acknowledgment form. Check the box next to each addendum received and sign below. Failure to acknowledge addenda may result in bid disqualification.

Acknowledgment: I hereby acknowledge receipt of the following addenda and have made the necessary revisions to my proposal, plans and/or specification, etc.

Addendum Numbers Received:

(Check the box next to each addendum received)

- | | |
|--|--|
| <input checked="" type="checkbox"/> Addendum No. 1 | <input type="checkbox"/> Addendum No. 6 |
| <input type="checkbox"/> Addendum No. 2 | <input type="checkbox"/> Addendum No. 7 |
| <input type="checkbox"/> Addendum No. 3 | <input type="checkbox"/> Addendum No. 8 |
| <input type="checkbox"/> Addendum No. 4 | <input type="checkbox"/> Addendum No. 9 |
| <input type="checkbox"/> Addendum No. 5 | <input type="checkbox"/> Addendum No. 10 |

I understand that failure to confirm the receipt of addenda may be cause for rejection of this bid. I further understand that that any verbal representation made or assumed to be made during any oral discussion held between Vendor's representatives and any state personnel is not binding. Only the information issued in writing and added to the specifications by an official addendum is binding.

Mason & Barry, Inc.

 Company



 Mike Martin Authorized Signature
 Senior Vice President

June 5, 2013

 Date

NOTE: This addendum acknowledgment should be submitted with the bid to expedite document processing.

FD5 Series Environmental Outdoor Fixed Dome

1/3-INCH CCD, 650 TVL, RUGGED, HIGH RESOLUTION, DAY/NIGHT, IR OPTION

Product Features

- 650 TV Lines
- 0.1 Lux Sensitivity (No IR), Zero Lux (with IR)
- Sony® 1/3-Inch EXview HAD CCD II™ Imager
- Digital Signal Processing (DSP)
- 3 Camera Options:
 - Infrared (IR) Illumination Day/Night High Resolution
 - True Day/Night High Resolution
 - Color High Resolution
- IR Compensation (IR Models Only)
- Varifocal Lens
- Autosensing Power (24 VAC/12 VDC with Internal Synchronization)
- Rugged, Vandal-Resistant Design (IK10)
- Environmental Capability with a Wide Operating Temperature

The **FD5 Series** is Pelco's general purpose environmental and rugged dome camera. It is designed to provide superior picture quality over a wide range of conditions. The camera's attractive size, combined with its numerous features, makes it the ideal camera for most outdoor applications.

The **FD5 Series** dome camera integrates a camera and lens package into a small, versatile outdoor enclosure that can be mounted directly to a ceiling or wall. The **FD5 Series** features a 3-axis camera and lens positioning system that is capable of a wide variety of pan and tilt angles.

The **FD5 Series** offers three high resolution camera options suitable for a variety of indoor environments:

- **IR Illumination High Resolution Dome:** Features a high resolution (650 TVL) color camera with auto iris, and varifocal lens. The IR camera option is equipped with high performance IR compensation. This camera can be set manually to adjust IR illumination levels, enabling customers to change the levels of luminance and contrast according to the shooting environment. This function reduces the blooming effect and delivers clear images when objects get closer to the camera. The IR camera option uses a group of IR LEDs for supplemental lighting. This allows the camera to function under zero lux illumination when IR is on, creating an effective IR illumination distance up to 25 meters. Application examples include outdoor environments with difficult lighting conditions that need a supplemental IR light source.



FD5-DV SERIES

- Weathertight Outdoor Operation (IP66)
- Alarm Output (Based on Model)
- Shipped Completely Assembled, Easy to Install

- **True Day/Night High Resolution Dome:** Features a high resolution (650 TVL) day/night camera with auto iris and varifocal lens. The camera uses a movable IR cut filter to switch between color and black-white (B-W) modes in changing environmental lighting conditions and when the need for low-light sensitivity is realized. Application examples include outdoor environments that require color images during the day but use monochrome images at night.

- **Color High Resolution Dome:** Features a high resolution (650 TVL) color camera with auto iris, and varifocal lens. This camera is suitable for general outdoor applications in most fixed lighting conditions. Its full features insure that images are clear and crisp at all times under consistent light

All **FD5 Series** cameras feature ATR technology, which can provide dynamic range by selecting different gamma levels.

The **FD5 Series** has built-in analytical capabilities such as privacy zones, motion detection, and camera titles that adds to its functionality and makes it suitable for most applications.

The **FD5 Series** has a rugged, vandal-resistance design and an impact resistance that meets the IK10 standard. The **FD5 Series** has a wide operating temperature (-30° to 50°C), which makes it an ideal solution for most rugged outdoor applications. The **FD5 Series** also meets weathertight IP66 standards.

The **FD5 Series** is shipped completely assembled, making installation fast and easy. To surface-mount the unit, remove it from the box, remove the lower dome, attach it to the mounting surface, and connect video and power.



by Schneider Electric



C3904 / REVISED 1-21-13

TECHNICAL SPECIFICATIONS

CAMERA/OPTICS

	FD5-V Series Varifocal Lens Models	FD5-DV Series True Day/Night Varifocal Lens Models	FD5-IRV Series IR Illumination Varifocal Lens Models
Image Sensor	Sony 1/3-Inch EXview HAD CCD II™ 960H	Sony 1/3-Inch EXview HAD CCD II 960H	Sony 1/3-Inch EXview HAD CCD II 960H
Signal Processing	Sony DSP, Effio-E™	Sony DSP, Effio-E	Sony DSP, Effio-E
Effective Pixels			
NTSC	976 (H) x 494 (V)	976 (H) x 494 (V)	976 (H) x 494 (V)
PAL	976 (H) x 582 (V)	976 (H) x 582 (V)	976 (H) x 582 (V)
Scanning Area	5.58 (H) mm x 4.67 (V) mm (0.22 x 0.18 inch)	5.58 (H) mm x 4.67 (V) mm (0.22 x 0.18 inch)	5.58 (H) mm x 4.67 (V) mm (0.22 x 0.18 inch)
Scanning System			
NTSC	525 lines, 2:1 interlace	525 lines, 2:1 interlace	525 lines, 2:1 interlace
PAL	625 lines, 2:1 interlace	625 lines, 2:1 interlace	625 lines, 2:1 interlace
Scanning Frequency			
NTSC	Horizontal, 15.734 kHz Vertical, 59.94 Hz	Horizontal, 15.734 kHz Vertical, 59.94 Hz	Horizontal, 15.734 kHz Vertical, 59.94 Hz
PAL	Horizontal, 15.625 kHz Vertical, 50.00 Hz	Horizontal, 15.625 kHz Vertical, 50.00 Hz	Horizontal, 15.625 kHz Vertical, 50.00 Hz
Synchronization	Internal	Internal	Internal
Horizontal Resolution	650 TVL	650 TVL	650 TVL
Minimum Illumination	f/1.2; 2,850°K; 30 IRE Color 0.1 lux Mono 0.1 lux	f/1.2; 2,850°K; 30 IRE Color 0.1 lux Mono 0.05 lux	f/1.2; 2,850°K; 30 IRE Color 0.1 lux Mono 0.0 lux
IR Cut Filter	Fixed	Yes, D/N switch	Yes, D/N switch
Dynamic Range	Gamma selectable (ATR)	Gamma selectable (ATR)	Gamma selectable (ATR)
IR Illumination Distance	—	—	25 m
IR Sensitivity	—	—	>40% at 850 nm, peak response
Low Light Technology	—	ICR	ICR and LEDs
Electronic Shutter Range	1/50 ~ 1/10,000 sec	1/50 ~ 1/10,000 sec	1/50 ~ 1/10,000 sec
Video Output	1.0 Vp-p, NTSC/PAL composite, 75 ohms, BNC connector	1.0 Vp-p, NTSC/PAL composite, 75 ohms, BNC connector	1.0 Vp-p, NTSC/PAL composite, 75 ohms, BNC connector
White Balance	ATW/Manual/Push/Push Lock/User1/User2/Anti CR	ATW/Manual/Push/Push Lock/User1/User3/Anti CR	ATW/Manual/Push/Push Lock/User1/User4/Anti CR
Signal-to-Noise Ratio	48 dB (>52 dB by parameter adjustment)	48 dB (>52 dB by parameter adjustment)	48 dB (>52 dB by parameter adjustment)
Lens	Varifocal	Varifocal	Varifocal
F-Number	f/1.2	f/1.2	f/1.2
Focal Length	3.0 to 9.0 mm	2.8 to 10.5 mm	2.8 to 10.5 mm
Focus Range	∞ to 0.5 m (1.6 ft)	∞ to 0.3 m (1 ft)	∞ to 0.3 m (1 ft)
Horizontal Angle of View	85.3° at 3.0 mm wide zoom; 31.5° at 9.0 mm telephoto zoom	101.8° at 2.8 mm wide zoom; 27.4° at 10.5 mm telephoto zoom	101.8° at 2.8 mm wide zoom; 27.4° at 10.5 mm telephoto zoom
Vertical Angle of View	63.8° at 3.0 mm wide zoom; 23.7° at 9.0 mm telephoto zoom	73.7° at 2.8 mm wide zoom; 20.6° at 10.5 mm telephoto zoom	73.7° at 2.8 mm wide zoom; 20.6° at 10.5 mm telephoto zoom
Adjusting Angle			
Panning Range	±180°	±180°	±180°
Tilting Range	+90° to 0°	+90° to 0°	+55° to 0°
Rotation Range	±180°	±180°	±180°
Noise Reduction	2D	2D	2D
Motion Detection	Included (4 areas)	Included (4 areas)	Included (4 areas)
Privacy Zones	Included (8 zones)	Included (8 zones)	Included (8 zones)
Camera Titles	—	Included	Included
Alarm Out	—	1	1

TECHNICAL SPECIFICATIONS

GENERAL

Back Box Construction	Die-cast aluminum	
Bubble Type	Lightly obscured	
Weight	Unit	Shipping
	FD5-V Series	0.73 kg (1.61 lb) 1.28 kg (2.82 lb)
	FD5-DV Series	0.73 kg (1.61 lb) 1.28 kg (2.82 lb)
	FD5-IRV Series	0.75 kg (1.65 lb) 1.28 kg (2.82 lb)

ELECTRICAL

Power Requirement	NTSC	12 VDC/24 VAC +10% to -15%, 60 Hz
	PAL	12 VDC/24 VAC +10% to -15%, 50 Hz
Power Consumption	FD5-V Series	2.5 W (without heater); 43 W (with heater on)
	FD5-DV Series	2.5 W (without heater); 43 W (with heater on)
	FD5-IRV Series	4 W (IR on, without heater); 47 W (IR on, with heater on)
Power Connector	2-pin terminal block with screw terminals	
Video Connector	BNC	

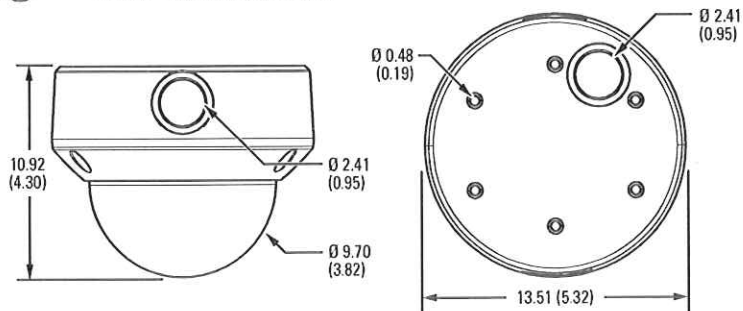
ENVIRONMENTAL

Operating Temperature	-30° to 50°C (-22° to 122°F)
Storage Temperature	-30° to 60°C (-22° to 140°F)
Operating Humidity	20% to 80%, noncondensing
Storage Humidity	20% to 90%, noncondensing
Impact Resistance	IK10

CERTIFICATIONS

- CE, Class B
- FCC, Class B
- UL/cUL Listed
- Meets IP66 standards

 NOTE: VALUES IN PARENTHESES ARE INCHES;
ALL OTHERS ARE CENTIMETERS.



TECHNICAL SPECIFICATIONS

MODELS

Camera Type	Lens Type	NTSC	PAL
Color, High Resolution	Varifocal, 3.0 to 9.0 mm	FD5-V9-6	FD5-V9-6X
True Day/Night, ICR Switch	Varifocal, 2.8 to 10.5 mm	FD5-DV10-6	FD5-DV10-6X
IR Illumination	Varifocal, 2.8 to 10.5 mm	FD5-IRV10-6	FD5-IRV10-6X

RECOMMENDED POWER SUPPLIES

TF9000	Power supply for one 24 VAC camera, 50 VA
MCS Series	Multiple 24 VAC camera power supply, indoor

OPTIONAL ACCESSORIES

FD-SC	Dome camera service cable to BNC, 1 meter (3.3 ft), 2-pin
TW3001PC	Passive twisted wire transmission for use in unshielded twisted pair (UTP) installations

DX4700/DX4800 Series H.264 Hybrid Video Recorders

10- AND 18-CHANNEL HVR WITH HD, REAL-TIME RECORDING

Product Features

- Supports 2 Megapixel (MPx) IP Channels
- 8 or 16 Looping Analog Channels Plus 2 IP Cameras, up to 3 Megapixels (MPx) Each
- Up to 30/25 Images Per Second (ips) Recording for IP Cameras up to 4 Mbps
- Up to 30/25 ips at 4CIF Resolution Analog Recording on DX4800
- Up to 4CIF Recording Resolution, 704 x 480 (NTSC), 704 x 576 (PAL)
- CPU Resource Meter
- Searchable by Date/Time, Event, Bookmark, ATM/POS, Export Review, and Pixel
- IP Camera Pan/Tilt/Zoom (PTZ) Control
- Up to 8 TB Internal Storage Capacity
- Up to 4 Audio Inputs and 2 Audio Outputs



- 1 Bidirectional Audio Output
- DX Series Client Simultaneous Connects to DX Series DVRs/HVRs
- Support for Coaxitron® and Pelco's KBD300A Keyboard for PTZ Control of Analog Cameras

DX4700/DX4800 Series H.264 hybrid video recorders (HVRs) bring a new range of performance and capability to the Pelco DX Series product line, including support for 8 or 16 analog channels plus two IP cameras (up to 3 MPx each). Customers can now benefit from megapixel image detail where they need it most. For example, customers can monitor registers, cash counting operations, high-value merchandise areas, or lobbies and entrances while still receiving maximum value from existing analog cameras and cabling.

Customers who have continued requirements for 8 or 16 analog cameras and want to expand their systems with megapixel IP recording, have a cost-effective solution in the **DX4700/DX4800 Series**. The ability to support two Pelco megapixel IP cameras, or Axis® cameras, gives customers new power and flexibility in their IP migration path. The new DX4700/DX4800 CPU resource meter monitors system resources in real time and is a useful gauge for the addition of IP cameras to the system.

DX4700/DX4800 Series HVRs give customers the ability to record at the speed and resolution they need. Both models record up to 30 ips on all channels. In addition, the DX4800 adds the ability to record full frame rate video at 4CIF resolution for all cameras. With this kind of recording power, previous analog investments gain extended life.

DX4700/DX4800 Series HVRs provide unparalleled storage selections for systems in this class. With up to 8 TB of internal storage, you can overcome the higher storage demands of megapixel and high speed recording without sacrificing speed for resolution. **DX4700/DX4800 Series** HVRs also match security

requirements to storage needs with the unique HDD partitioning feature, which allocates individual disk partitions for normal and alarm recording. And, you can ease storage costs for backup video by using optional, external USB-attached HDD enclosures up to 1 TB (available from local electronics retailers).

DX4700/DX4800 Series HVRs provide the unique ability to leverage installed systems: the new DX Series remote client provides operational functionality for DX4000 and DX8000 Series DVRs/HVRs, and the optional DS ControlPoint software allows integration with DX Series products as well as Digital Sentry® systems.

DX4700/DX4800 Series is full-featured and meets the needs of a wide range of customers. Retail, branch office customers, and others will benefit from its robust capabilities including the ability to capture and overlay ATM/POS text with video recording, access instant playback for quick investigative work, and the use of bidirectional audio for enhanced security.

The **DX4700/DX4800 Series** reduces installation overhead with out of the box recording. An intuitive interface makes custom installation easy and reduces learning time for end customers.

With a wide new range of capabilities, **DX4700/DX4800 Series** H.264 HVRs well suit the needs of existing analog markets and become an integral part of an efficient megapixel IP migration strategy.



by Schneider Electric



C4675 / REVISED 8-2-11

TECHNICAL SPECIFICATIONS

ELECTRICAL/VIDEO

Input Voltage	90 to 264 VAC, 50/60 Hz, autosensing	
Power Consumption	Maximum 250 W	
Signal System	NTSC/PAL, switchable	
Operating System	Embedded Linux	
Video Compression	H.264	
Recording Resolutions	NTSC	PAL
	704 x 480	704 x 576
	704 x 240	704 x 288
	352 x 240	352 x 288
Video Outputs	1 main VGA or analog multiscreen for live viewing	
Multiscreen	1 configurable, analog spot monitor	
Display Resolution Server	SVGA	
Display Resolution Client	Up to 1920 x 1080	
Remote Connection	LAN/WAN TCP/IP	
Network Connection	Gigabit Ethernet, RJ-45	
Simultaneous Remote Connections	5	
Bandwidth Throttle	Server-based, 32 Kbps to 100 Mbps	
Network Streaming	Configurable per camera	

SUPPORTED PTZ PROTOCOLS

Pelco C, Pelco D, Pelco P
 Bosch_Autodome
 Ganz_DSCP, Ganz_P360V1
 Kalatel_Cyberdome
 LG_Multix, LG_SD168
 Panasonic_CS850
 Samsung_SCC

MAXIMUM IPS RECORDING

Model	Format	NTSC IPS		PAL IPS	
		Total	Per Camera	Total	Per Camera
DX4708	CIF	240	30	200	25
	2CIF	120	15	100	12
	4CIF	60	7	50	6
DX4716	CIF	480	30	400	25
	2CIF	240	15	200	12.5
	4CIF	120	7.5	96	6
DX4808	CIF	240	30	200	25
	2CIF	240	30	200	25
	4CIF	240	30	200	25
DX4816	CIF	480	30	400	25
	2CIF	480	30	400	25
	4CIF	480	30	400	25

AUDIO

Line In	DX4708/DX4716 DX4808/DX4816	2, mono, RCA line in 4, mono, RCA line in
Output		2, Mono, 0 dB, RCA
Sampling Rate		128 Kbps (16 KHz)
Two-Way Audio		Mic-in, line-out

MECHANICAL

Connectors		
Video Inputs		8 or 16, BNC
Video Outputs		8 or 16, BNC, looping
Alarm Input		1 per BNC input; Screw terminal; N.C. or N.O., supervised or nonsupervised
Relay Output		2 for 8-channel; 4 for 16-channel (N.C. or N.O.)
Relay Contact Ratings*		
Rated (resistive) Load		0.5 A at 120 VAC or 1 A at 24 VDC
Video Output		1 SVGA or 1 analog
TCP/IP Port		RJ-45, 10/100/1000
Data Input		2, RS-422/RS-485 terminals for connecting PTZ cameras
DB9		1, RS-232C connector for interfacing an ATM/POS device
USB		3 high-speed USB 2.0 ports (1 front, 2 back)

*Relays are grounded.

GENERAL

Operating Temperature	0° to 50°C (32° to 122°F)
Relative Humidity	Maximum 80%, noncondensing
Mounting	Standard 19-inch rack mount (2 unit)
Dimensions	49.78 x 48.26 x 8.89 cm (19.6" D x 19.0" W x 3.5" H)
Unit Weight	
Without HDD	6.0 kg (13.2 lb)
With HDD	9.0 kg (19.8 lb)
Shipping Weight	18.2 kg (40.0 lb) maximum
Camera Views	
Server	1, 4, 6, 8, 9, 16
Client	1 to 36

CERTIFICATIONS/PATENTS

- CE
- FCC, Class A
- UL/cUL
- C-Tick
- CCC
- KCC
- S Mark for Argentina

CLIENT MINIMUM PC REQUIREMENTS

Processor	Intel® Pentium® 4 (or later), 1 GHz
Operating System	Microsoft® Windows® 2000, Windows XP (SP3), Windows Vista®, or Windows 7 and DirectX® 9.1 (or later)
Memory	256 MB
Video	64 MB
Display Resolution	1024 x 768, 32-bit color

TECHNICAL SPECIFICATIONS

PRODUCT MODELS AND FEATURES

Feature	DX4708	DX4716	DX4808	DX4816
Megapixel IP Cameras	2	2	2	2
Images Per Second at 4CIF	60	240	240	480
Multi-Event Recording	Yes	Yes	Yes	Yes
Standard Optical Disk Drive	DVD±RW	DVD±RW	DVD±RW	DVD±RW
Maximum Hard Disk Storage (GB)	8000	8000	8000	8000
Audio Inputs/Outputs	2/2	2/2	4/2	4/2
Alarm Inputs/Outputs	8/2	16/2	8/4	16/4

MODEL NUMBERS

Model Number	Description
DX4708-250	HVR with DVD and 250 GB storage
DX4708-500	HVR with DVD and 500 GB storage
DX4708-1000	HVR with DVD and 1000 GB storage
DX4708-2000	HVR with DVD and 2000 GB storage
DX4708-4000	HVR with DVD and 4000 GB storage
DX4708-6000	HVR with DVD and 6000 GB storage
DX4708-8000	HVR with DVD and 8000 GB storage
DX4716-250	HVR with DVD and 250 GB storage
DX4716-500	HVR with DVD and 500 GB storage
DX4716-1000	HVR with DVD and 1000 GB storage
DX4716-2000	HVR with DVD and 2000 GB storage
DX4716-4000	HVR with DVD and 4000 GB storage
DX4716-6000	HVR with DVD and 6000 GB storage
DX4716-8000	HVR with DVD and 8000 GB storage
DX4808-250	HVR with DVD and 250 GB storage
DX4808-500	HVR with DVD and 500 GB storage
DX4808-1000	HVR with DVD and 1000 GB storage
DX4808-2000	HVR with DVD and 2000 GB storage
DX4808-4000	HVR with DVD and 4000 GB storage
DX4808-6000	HVR with DVD and 6000 GB storage
DX4808-8000	HVR with DVD and 8000 GB storage
DX4816-250	HVR with DVD and 250 GB storage
DX4816-500	HVR with DVD and 500 GB storage
DX4816-1000	HVR with DVD and 1000 GB storage
DX4816-2000	HVR with DVD and 2000 GB storage
DX4816-4000	HVR with DVD and 4000 GB storage
DX4816-6000	HVR with DVD and 6000 GB storage
DX4816-8000	HVR with DVD and 8000 GB storage

SUPPLIED ACCESSORIES

Power Cords	1 USA and 1 European
USB Mouse	1 for configuration and operation
Resource Disc	1, contains server and client software and documentation
Remote Control	1 for configuration and operation
Accessory Hardware	Alarm and relay terminal blocks, rack mount kit

COMPATIBLE PRODUCTS

Pelco Sarix® IP Cameras (IM, IX, ID, and IE Series)
 Axis IP Cameras (must be compatible with VAPIX3)
 KBD300A Keyboard
 COTS HDD Enclosures
 DX Series Client
 DS ControlPoint
 API
 American Video Equipment Hydra™

OPTIONAL ACCESSORIES

DX4546HDD250KIT*	SATA 250 GB upgrade
DX4546HDD500KIT*	SATA 500 GB upgrade
DX4546HD1000KIT*	SATA 1000 GB upgrade
DX4546HD2000KIT*	SATA 2000 GB upgrade
DX4546DVDKITS*	DVD drive upgrade
KBD300A	KBD300A desktop keyboard with full switching and configuration capabilities and joystick control of PTZ functions; requires a KDB300USBKIT or a KBD300USBKIT-X
KBD300USBKIT	Remote keyboard wiring kit (120 VAC) for KBD300A
KBD300USBKIT-X	Remote keyboard wiring kit (230 VAC) for KBD300A

*These options are compatible with DX4500, DX4600, DX4700, and DX4800 models.

Pelco by Schneider Electric
 3500 Pelco Way, Clovis, California 93612-5699 United States
USA & Canada Tel (800) 289-9100 Fax (800) 289-9150
International Tel +1 (559) 292-1981 Fax +1 (559) 348-1120
www.pelco.com

Pelco, the Pelco logo, and other trademarks associated with Pelco products referred to in this publication are trademarks of Pelco, Inc. or its affiliates. All other product names and services are the property of their respective companies. Product specifications and availability are subject to change without notice.
 ©Copyright 2011, Pelco, Inc. All rights reserved.

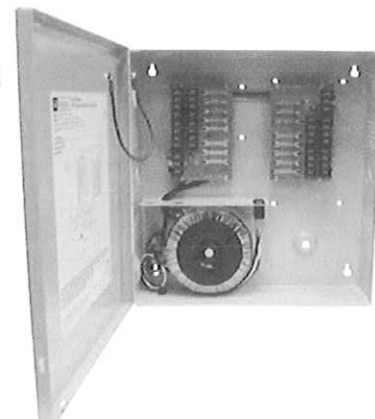


ALTV2416300UL, ALTV2416300ULCB **UL Listed AC CCTV Power Supply**

Rev. DSALTV2416300UL - E26I

Overview

These Altronix AC Wall Mount CCTV Power Supplies provide 24VAC or 28VAC distributed via sixteen (16) fuse or Class 2 Rated PTC protected power limited outputs for powering CCTV Cameras, heaters and other video accessories.



Specifications

- Input 115VAC, 50/60Hz, 2.7 amp.
- 24VAC @ 12.5 amp (300VA) or 28VAC @ 10 amp (280VA) supply current.
- Main fuse rated @ 10 amp/250V.
- Illuminated power disconnect circuit breaker with manual reset.
- Surge suppression.
- AC power LED.
- Spare fuse(s) provided (all models w/primary and/or secondary fuses).
- Unit maintains camera synchronization.
- Ease of installation saves time and eliminates costly labor.

Models

ALTV2416300UL

- Sixteen (16) fuse protected outputs.
- Outputs are rated @ 3.5 amp.

ALTV2416300UL3

ALTV2416300UL w/3-wire Line Cord.

ALTV2416300ULCB

- Sixteen (16) Class 2 Rated PTC protected power limited outputs.
- Outputs are rated @ 2.5 amp.

ALTV2416300ULCB3

ALTV2416300ULCB w/3-wire Line Cord.

Agency Approvals



UL Listed for Commercial CCTV Equipment (UL 2044).



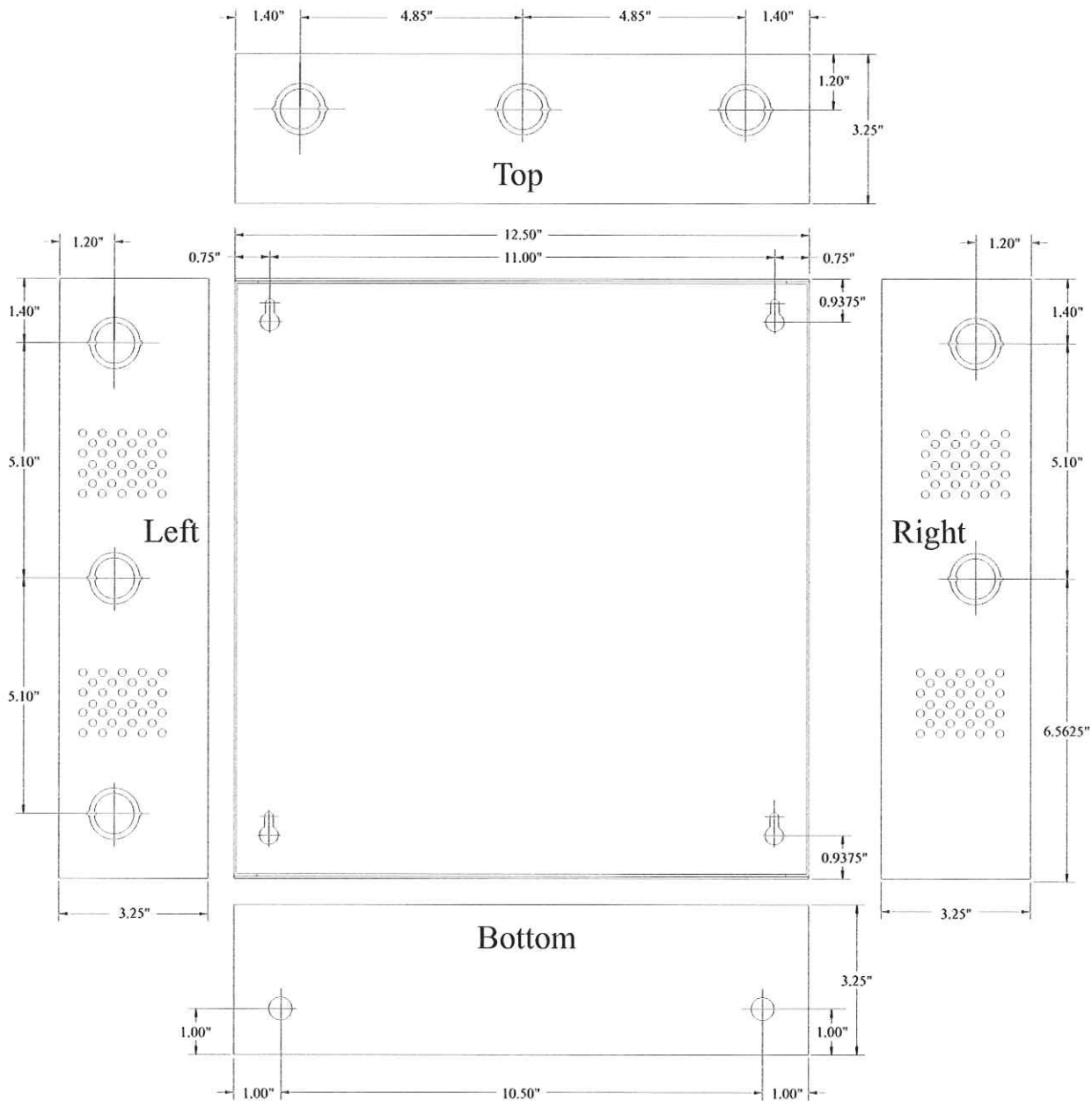
European Conformity



CUL Listed - CSA Standard C22.2 No.1-98, Audio, Video and Similar Equipment.

Enclosure Dimensions

13.5"H x 13"W x 3.25"D



Shipping Weights (approximate):

- ALTV2416300UL: 17.1 lbs.
- ALTV2416300ULCB: 17.1 lbs.
- ALTV2416300UL3: 18.1 lbs.
- ALTV2416300ULCB3: 18.1 lbs.

STATE OF WEST VIRGINIA
Purchasing Division

PURCHASING AFFIDAVIT

MANDATE: Under W. Va. Code §5A-3-10a, no contract or renewal of any contract may be awarded by the state or any of its political subdivisions to any vendor or prospective vendor when the vendor or prospective vendor or a related party to the vendor or prospective vendor is a debtor and: (1) the debt owed is an amount greater than one thousand dollars in the aggregate; or (2) the debtor is in employer default.

EXCEPTION: The prohibition listed above does not apply where a vendor has contested any tax administered pursuant to chapter eleven of the W. Va. Code, workers' compensation premium, permit fee or environmental fee or assessment and the matter has not become final or where the vendor has entered into a payment plan or agreement and the vendor is not in default of any of the provisions of such plan or agreement.

DEFINITIONS:

"Debt" means any assessment, premium, penalty, fine, tax or other amount of money owed to the state or any of its political subdivisions because of a judgment, fine, permit violation, license assessment, defaulted workers' compensation premium, penalty or other assessment presently delinquent or due and required to be paid to the state or any of its political subdivisions, including any interest or additional penalties accrued thereon.

"Employer default" means having an outstanding balance or liability to the old fund or to the uninsured employers' fund or being in policy default, as defined in W. Va. Code § 23-2c-2, failure to maintain mandatory workers' compensation coverage, or failure to fully meet its obligations as a workers' compensation self-insured employer. An employer is not in employer default if it has entered into a repayment agreement with the Insurance Commissioner and remains in compliance with the obligations under the repayment agreement.

"Related party" means a party, whether an individual, corporation, partnership, association, limited liability company or any other form or business association or other entity whatsoever, related to any vendor by blood, marriage, ownership or contract through which the party has a relationship of ownership or other interest with the vendor so that the party will actually or by effect receive or control a portion of the benefit, profit or other consideration from performance of a vendor contract with the party receiving an amount that meets or exceeds five percent of the total contract amount.

AFFIRMATION: By signing this form, the vendor's authorized signer affirms and acknowledges under penalty of law for false swearing (W. Va. Code §61-5-3) that neither vendor nor any related party owe a debt as defined above and that neither vendor nor any related party are in employer default as defined above, unless the debt or employer default is permitted under the exception above.

WITNESS THE FOLLOWING SIGNATURE:

Vendor's Name: Mason & Barry, Inc.

Authorized Signature:  Date: June 5, 2013

Mike Martin

State of WV

County of Putnam, to-wit:

Taken, subscribed, and sworn to before me this 5 day of June, 2013.

My Commission expires 12-13, 2020.

AFFIX SEAL HERE

NOTARY PUBLIC



Purchasing Affidavit (Revised 07/01/2012)

