



State of West Virginia
 Department of Administration
 Purchasing Division
 2019 Washington Street East
 Post Office Box 50130
 Charleston, WV 25305-0130

Request for Quotation

RFQ NUMBER
 DNR212090

PAGE
 1

ADDRESS CORRESPONDENCE TO ATTENTION OF:
 FRANK WHITTAKER
 304-558-2316

RFQ COPY

TYPE NAME/ADDRESS HERE

Cecil I Walker Machinery
PO Box 2427
Charleston WV 25329

DIVISION OF NATURAL RESOURCES
 JOBSITE
 SEE SPECIFICATIONS

DATE PRINTED	TERMS OF SALE	SHIP VIA	F.O.B.	FREIGHT TERMS
12/29/2011				

BID OPENING DATE: 01/31/2012 BID OPENING TIME 01:30PM

LINE	QUANTITY	UOP	CAT. NO.	ITEM NUMBER	UNIT PRICE	AMOUNT
0001	1	EA		765-85		\$82,484
<p>FORESTRY GRADE TRACK LOADER</p> <p>THE WEST VIRGINIA PURCHASING DIVISION, FOR THE AGENCY, THE WEST VIRGINIA DIVISION OF NATURAL RESOURCES IS SOLICITING BIDS FOR A FORESTRY GRADE COMPACT TRACK LOADER WITH ROTARY MULCHER ATTACHMENT.</p> <p>ALL TECHNICAL QUESTIONS MUST BE SUBMITTED IN WRITING TO FRANK WHITTAKER IN THE WV PURCHASING DIVISION EMAIL AT FRANK.M.WHITTAKER@WV.GOV OR VIA FAX AT 304-558-4114. DEADLINE FOR ALL TECHNICAL QUESTIONS IS 01/11/2012 AT 4:00 PM. ALL TECHNICAL QUESTIONS WILL BE ADDRESSED BY ADDENDUM AFTER THE DEADLINE.</p> <p>BANKRUPTCY: IN THE EVENT THE VENDOR/CONTRACTOR FILES FOR BANKRUPTCY PROTECTION, THE STATE MAY DEEM THE CONTRACT NULL AND VOID, AND TERMINATE SUCH CONTRACT WITHOUT FURTHER ORDER.</p> <p>EXHIBIT 10</p> <p>REQUISITION NO.: <i>DNR212090</i></p> <p>ADDENDUM ACKNOWLEDGEMENT</p> <p>I HEREBY ACKNOWLEDGE RECEIPT OF THE FOLLOWING CHECKED ADDENDUM(S) AND HAVE MADE THE NECESSARY REVISIONS TO MY PROPOSAL, PLANS AND/OR SPECIFICATION, ETC.</p> <p>ADDENDUM NO.'S:</p>						

RECEIVED
 2012 FEB 23 PM 1:15
 WV PURCHASING DIVISION

SEE REVERSE SIDE FOR TERMS AND CONDITIONS			
SIGNATURE <i>Randy Preece</i>	TELEPHONE <i>740-418-1350</i>	DATE <i>2/23/12</i>	
TITLE <i>Sales Representative</i>	FEIN <i>55-0352647</i>	ADDRESS CHANGES TO BE NOTED ABOVE	

WHEN RESPONDING TO RFQ, INSERT NAME AND ADDRESS IN SPACE ABOVE LABELED 'VENDOR'

**GENERAL TERMS & CONDITIONS
REQUEST FOR QUOTATION (RFQ) AND REQUEST FOR PROPOSAL (RFP)**

1. Awards will be made in the best interest of the State of West Virginia.
2. The State may accept or reject in part, or in whole, any bid.
3. Prior to any award, the apparent successful vendor must be properly registered with the Purchasing Division and have paid the required \$125 fee.
4. All services performed or goods delivered under State Purchase Order/Contracts are to be continued for the term of the Purchase Order/Contracts, contingent upon funds being appropriated by the Legislature or otherwise being made available. In the event funds are not appropriated or otherwise available for these services or goods this Purchase Order/Contract becomes void and of no effect after June 30.
5. Payment may only be made after the delivery and acceptance of goods or services.
6. Interest may be paid for late payment in accordance with the *West Virginia Code*.
7. Vendor preference will be granted upon written request in accordance with the *West Virginia Code*.
8. The State of West Virginia is exempt from federal and state taxes and will not pay or reimburse such taxes.
9. The Director of Purchasing may cancel any Purchase Order/Contract upon 30 days written notice to the seller.
10. The laws of the State of West Virginia and the *Legislative Rules* of the Purchasing Division shall govern the purchasing process.
11. Any reference to automatic renewal is hereby deleted. The Contract may be renewed only upon mutual written agreement of the parties.
12. **BANKRUPTCY:** In the event the vendor/contractor files for bankruptcy protection, the State may deem this contract null and void, and terminate such contract without further order.
13. **HIPAA BUSINESS ASSOCIATE ADDENDUM:** The West Virginia State Government HIPAA Business Associate Addendum (BAA), approved by the Attorney General, is available online at www.state.wv.us/admin/purchase/vrc/hipaa.html and is hereby made part of the agreement provided that the Agency meets the definition of a Cover Entity (45 CFR §160.103) and will be disclosing Protected Health Information (45 CFR §160.103) to the vendor.
14. **CONFIDENTIALITY:** The vendor agrees that he or she will not disclose to anyone, directly or indirectly, any such personally identifiable information or other confidential information gained from the agency, unless the individual who is the subject of the information consents to the disclosure in writing or the disclosure is made pursuant to the agency's policies, procedures, and rules. Vendor further agrees to comply with the Confidentiality Policies and Information Security Accountability Requirements, set forth in <http://www.state.wv.us/admin/purchase/privacy/noticeConfidentiality.pdf>.
15. **LICENSING:** Vendors must be licensed and in good standing in accordance with any and all state and local laws and requirements by any state or local agency of West Virginia, including, but not limited to, the West Virginia Secretary of State's Office, the West Virginia Tax Department, and the West Virginia Insurance Commission. The vendor must provide all necessary releases to obtain information to enable the director or spending unit to verify that the vendor is licensed and in good standing with the above entities.
16. **ANTITRUST:** In submitting a bid to any agency for the State of West Virginia, the bidder offers and agrees that if the bid is accepted the bidder will convey, sell, assign or transfer to the State of West Virginia all rights, title and interest in and to all causes of action it may now or hereafter acquire under the antitrust laws of the United States and the State of West Virginia for price fixing and/or unreasonable restraints of trade relating to the particular commodities or services purchased or acquired by the State of West Virginia. Such assignment shall be made and become effective at the time the purchasing agency tenders the initial payment to the bidder.

I certify that this bid is made without prior understanding, agreement, or connection with any corporation, firm, limited liability company, partnership, or person or entity submitting a bid for the same material, supplies, equipment or services and is in all respects fair and without collusion or fraud. I further certify that I am authorized to sign the certification on behalf of the bidder or this bid.

INSTRUCTIONS TO BIDDERS

1. Use the quotation forms provided by the Purchasing Division. Complete all sections of the quotation form.
2. Items offered must be in compliance with the specifications. Any deviation from the specifications must be clearly indicated by the bidder. Alternates offered by the bidder as EQUAL to the specifications must be clearly defined. A bidder offering an alternate should attach complete specifications and literature to the bid. The Purchasing Division may waive minor deviations to specifications.
3. Unit prices shall prevail in case of discrepancy. All quotations are considered F.O.B. destination unless alternate shipping terms are clearly identified in the quotation.
4. All quotations must be delivered by the bidder to the office listed below prior to the date and time of the bid opening. Failure of the bidder to deliver the quotations on time will result in bid disqualifications: Department of Administration, Purchasing Division, 2019 Washington Street East, P.O. Box 50130, Charleston, WV 25305-0130
5. Communication during the solicitation, bid, evaluation or award periods, except through the Purchasing Division, is strictly prohibited (W.Va. C.S.R. §148-1-6.6).



State of West Virginia
 Department of Administration
 Purchasing Division
 2019 Washington Street East
 Post Office Box 50130
 Charleston, WV 25305-0130

Request for Quotation

RFQ NUMBER
 DNR212090

PAGE
 2

ADDRESS CORRESPONDENCE TO ATTENTION OF:
 FRANK WHITTAKER
 304-558-2316

RFQ COPY
 TYPE NAME/ADDRESS HERE

VENDOR

SHIP TO

DIVISION OF NATURAL RESOURCES
 JOBSITE
 SEE SPECIFICATIONS

DATE PRINTED 12/29/2011	TERMS OF SALE	SHIP VIA	F.O.B.	FREIGHT TERMS
----------------------------	---------------	----------	--------	---------------

BID OPENING DATE: 01/31/2012 BID OPENING TIME 01:30PM

LINE	QUANTITY	UOP	CAT. NO.	ITEM NUMBER	UNIT PRICE	AMOUNT
NO. 1	✓					
NO. 2	✓					
NO. 3						
NO. 4						
NO. 5						
<p>I UNDERSTAND THAT FAILURE TO CONFIRM THE RECEIPT OF THE ADDENDUM(S) MAY BE CAUSE FOR REJECTION OF BIDS.</p> <p>VENDOR MUST CLEARLY UNDERSTAND THAT ANY VERBAL REPRESENTATION MADE OR ASSUMED TO BE MADE DURING ANY ORAL DISCUSSION HELD BETWEEN VENDOR'S REPRESENTATIVES AND ANY STATE PERSONNEL IS NOT BINDING. ONLY THE INFORMATION ISSUED IN WRITING AND ADDED TO THE SPECIFICATIONS BY AN OFFICIAL ADDENDUM IS BINDING.</p> <p style="text-align: center;"> <i>Randy Preece</i> SIGNATURE <i>Walker Machinery</i> COMPANY <i>2/23/12</i> DATE </p> <p>NOTE: THIS ADDENDUM ACKNOWLEDGEMENT SHOULD BE SUBMITTED WITH THE BID.</p> <p>REV. 09/21/2009</p>						

SEE REVERSE SIDE FOR TERMS AND CONDITIONS			
SIGNATURE <i>Randy Preece</i>	TELEPHONE 740-418-1350	DATE 2/23/12	
TITLE <i>Sales Representative</i>	FEIN 55-0352647	ADDRESS CHANGES TO BE NOTED ABOVE	

WHEN RESPONDING TO RFQ, INSERT NAME AND ADDRESS IN SPACE ABOVE LABELED 'VENDOR'



State of West Virginia
 Department of Administration
 Purchasing Division
 2019 Washington Street East
 Post Office Box 50130
 Charleston, WV 25305-0130

Request for Quotation

RFQ NUMBER
 DNR212090

PAGE
 3

ADDRESS CORRESPONDENCE TO ATTENTION OF:
 FRANK WHITTAKER
 304-558-2316

RFQ COPY

TYPE NAME/ADDRESS HERE

VENDOR

SHIP TO

DIVISION OF NATURAL RESOURCES
 JOBSITE
 SEE SPECIFICATIONS

DATE PRINTED	TERMS OF SALE	SHIP VIA	F.O.B.	FREIGHT TERMS
12/29/2011				

BID OPENING DATE: 01/31/2012 BID OPENING TIME 01:30PM

LINE	QUANTITY	UOP	CAT. NO.	ITEM NUMBER	UNIT PRICE	AMOUNT
NOTICE						
A SIGNED BID MUST BE SUBMITTED TO:						
DEPARTMENT OF ADMINISTRATION PURCHASING DIVISION BUILDING 15 2019 WASHINGTON STREET, EAST CHARLESTON, WV 25305-0130						
THE BID SHOULD CONTAIN THIS INFORMATION ON THE FACE OF THE ENVELOPE OR THE BID MAY NOT BE CONSIDERED:						
SEALED BID						
BUYER:				44		
RFQ. NO.:				DNR212090		
BID OPENING DATE:				01/31/2012		
BID OPENING TIME:				1:30 PM		
PLEASE PROVIDE A FAX NUMBER IN CASE IT IS NECESSARY TO CONTACT YOU REGARDING YOUR BID:						
				740-286-6040		
CONTACT PERSON (PLEASE PRINT CLEARLY):						

SEE REVERSE SIDE FOR TERMS AND CONDITIONS

SIGNATURE <i>Randy Pava</i>	TELEPHONE 740-418-1350	DATE 2/23/12
TITLE <i>Sales Representative</i>	FEIN 55-0352647	ADDRESS CHANGES TO BE NOTED ABOVE

WHEN RESPONDING TO RFQ, INSERT NAME AND ADDRESS IN SPACE ABOVE LABELED 'VENDOR'



State of West Virginia
 Department of Administration
 Purchasing Division
 2019 Washington Street East
 Post Office Box 50130
 Charleston, WV 25305-0130

Request for Quotation

RFQ NUMBER
 DNR212090

PAGE
 4

ADDRESS CORRESPONDENCE TO ATTENTION OF:
 FRANK WHITTAKER
 304-558-2316

RFQ COPY

TYPE NAME/ADDRESS HERE

VENDOR

SHIP TO

DIVISION OF NATURAL RESOURCES
 JOBSITE
 SEE SPECIFICATIONS

DATE PRINTED	TERMS OF SALE	SHIP VIA	F.O.B.	FREIGHT TERMS
12/29/2011				

BID OPENING DATE: 01/31/2012 BID OPENING TIME 01:30PM

LINE	QUANTITY	UOP	CAT. NO.	ITEM NUMBER	UNIT PRICE	AMOUNT
				RANDY PREECE 740-418-1350		
***** THIS IS THE END OF RFQ DNR212090 ***** TOTAL:						\$82,484

SEE REVERSE SIDE FOR TERMS AND CONDITIONS

SIGNATURE <i>Randy Preece</i>	TELEPHONE 740-418-1350	DATE 2/23/12
TITLE <i>Sales Representative</i>	FEIN 55-0352647	ADDRESS CHANGES TO BE NOTED ABOVE

WHEN RESPONDING TO RFQ, INSERT NAME AND ADDRESS IN SPACE ABOVE LABELED 'VENDOR'

The West Virginia Purchasing Division for the West Virginia Division of Natural Resources is requesting bids for the purchase of one (1) Forestry Grade Compact Track Loader with Rotary Mulcher Attachment

General Specifications:

The Forestry Grade Compact Track Loader with Rotary Mulcher Attachment must be manufactured for commercial use. All items must be new (2011 or 2012 model).

Forestry Grade Compact Track Loader with Rotary Mulcher Attachment

Forestry grade loader/rotary mulcher must meet the following specifications:

- Must have a diesel engine with a minimum gross horsepower of 95 HP
- Must have general purpose tracks with minimum track width of 17 inches
- Must have a hydrostatic powertrain
- Must have a heavy duty independent suspension of undercarriage
- Must have pilot joystick controls
- Must have a suspension seat with lap and shoulder seat belts
- Must have auxiliary hydraulics (quick connect fittings) with low flow maximum of 25 gpm and high flow maximum of 40 gpm
- Must have an engine block heater
- Must be ROPS/FOPS/OPS (certified)
- Must have indicator warning lights for engine oil pressure, hot hydraulic oil and low battery voltage and a tachometer gauge, engine temperature gauge, and a fuel level gauge
- Must have front and rear emergency exits and a heavy duty polycarbonate door (severe duty) and wiper
- Must have light, hood, window, hose and cylinder, and condenser guards and skid plates and heavy duty grill
- Must have a climate control system with high output with a/c, heat and service access
- Must not exceed 14,500 lbs. (total weight) for entire package (track loader and mulcher attachment)
- Must have a heavy duty rotary drum (quick attach) mulcher attachment with steel push bar which has a minimum cutting width of 60 inches and maximum outside width of 75 inches. Rotary drum must have a hydraulic brake
- Must have a horn and back-up alarm

Damaged Items: Damaged or defective items must be replaced at no additional expense to The West Virginia Division of Natural Resources.

Warranty: The equipment must be guaranteed to be free of defects in workmanship and material for a minimum of one (1) year from date of acceptance. However, if manufacturer warranty periods are longer than the required minimum one year warranty, those warranties shall apply.

Delivery: All items are to be F.O.B. Destination. Freight or delivery charges must be included in the price of the goods. Delivery must be made within thirty (30) days of purchase order award.

Forestry Loader/Mulcher to be delivered to the following location:

McClinitt Wildlife Management Area

Mason County

Route 1, Box 484, Pt. Pleasant, WV

Contact: Randy Kelley (304-675-0871) for delivery information

WV DIVISION OF NATURAL RESOURCES MANUFACTURER'S LIST

Please complete the below information concerning the brand(s) of equipment being bid in relation to this project. If bidding "or equal" brands, please attach manufacturer's literature documenting that it meets the mandatory requirements stated in the specifications. Vendors should note the areas of the provided manufacturer's literature that adheres to the mandatory requirements outlined in the Request for Quotation.

ITEM NO.	EQUIPMENT	MANUFACTURER	MODEL
1	<i>Compact Tractor</i>	<i>Catcepillar</i>	<i>299C</i>

WEST VIRGINIA DIVISION OF NATURAL RESOURCES
PRICING SHEET

Item Number	Quantity	Description	Unit Price	Amount
1	1	Forestry Grade Compact Track Loader with Rotary Mulcher Attachment		
			Total Cost	\$82,484

Note: Delivery must be made within thirty (30) days of purchase order award.

Forestry Loader/Mulcher to be delivered to the following location:

*McClintic Wildlife Management Area
Mason County
Route 1, Box 484, Pt. Pleasant, WV
Contact: Randy Kelley (304-675-0871) for delivery information*

RFQ No. DNR 212090

STATE OF WEST VIRGINIA
Purchasing Division

PURCHASING AFFIDAVIT

West Virginia Code §5A-3-10a states: No contract or renewal of any contract may be awarded by the state or any of its political subdivisions to any vendor or prospective vendor when the vendor or prospective vendor or a related party to the vendor or prospective vendor is a debtor and the debt owned is an amount greater than one thousand dollars in the aggregate

DEFINITIONS:

"Debt" means any assessment, premium, penalty, fine, tax or other amount of money owed to the state or any of its political subdivisions because of a judgment, fine, permit violation, license assessment, defaulted workers' compensation premium, penalty or other assessment presently delinquent or due and required to be paid to the state or any of its political subdivisions, including any interest or additional penalties accrued thereon.

"Debtor" means any individual, corporation, partnership, association, Limited Liability Company or any other form or business association owing a debt to the state or any of its political subdivisions. "Political subdivision" means any county commission; municipality; county board of education; any instrumentally established by a county or municipality; any separate corporation or instrumentally established by one or more counties or municipalities, as permitted by law; or any public body charged by law with the performance of a government function or whose jurisdiction is coextensive with one or more counties or municipalities. "Related party" means a party, whether an individual, corporation, partnership, association, limited liability company or any other form or business association or other entity whatsoever, related to any vendor by blood, marriage, ownership or contract through which the party has a relationship of ownership or other interest with the vendor so that the party will actually or by effect receive or control a portion of the benefit, profit or other consideration from performance of a vendor contract with the party receiving an amount that meets or exceeds five percent of the total contract amount.

EXCEPTION: The prohibition of this section does not apply where a vendor has contested any tax administered pursuant to chapter eleven of this code, workers' compensation premium, permit fee or environmental fee or assessment and the matter has not become final or where the vendor has entered into a payment plan or agreement and the vendor is not in default of any of the provisions of such plan or agreement.

Under penalty of law for false swearing (West Virginia Code §61-5-3), it is hereby certified that the vendor affirms and acknowledges the information in this affidavit and is in compliance with the requirements as stated.

WITNESS THE FOLLOWING SIGNATURE

Vendor's Name: C.I. Walker Machinery

Authorized Signature: Randy Price Date: 2/23/12

State of West Virginia

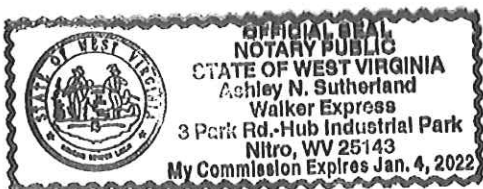
County of Kanawha, to-wit:

Taken, subscribed, and sworn to before me this 23 day of February, 2012.

My Commission expires January 4, 2022

AFFIX SEAL HERE

NOTARY PUBLIC Ashley N. Sutherland





State of West Virginia
 Department of Administration
 Purchasing Division
 2019 Washington Street East
 Post Office Box 50130
 Charleston, WV 25305-0130

Request for Quotation

RFQ NUMBER
 DNR212090

PAGE
 1

ADDRESS CORRESPONDENCE TO ATTENTION OF:
 FRANK WHITTAKER
 304-558-2316

RFQ COPY

TYPE NAME/ADDRESS HERE

VENDOR

Cecil I Walker Machinery
PO Box 2427
Charleston WV 25329

SHIP TO

DIVISION OF NATURAL RESOURCES
 JOBSITE
 SEE SPECIFICATIONS

DATE PRINTED	TERMS OF SALE	SHIP VIA	F.O.B.	FREIGHT TERMS
01/27/2012				

BID OPENING DATE: 02/15/2012 BID OPENING TIME 01:30PM

LINE	QUANTITY	UOP	CAT. NO.	ITEM NUMBER	UNIT PRICE	AMOUNT
***** ADDENDUM NO. 1 ***** THIS ADDENDUM IS ISSUED TO EXTEND THE BID OPENING DATE AND TIME. BID OPENING DATE IS EXTENDED TO 02/15/2012 AT 1:30 PM THE TECHNICAL QUESTIONS AND ANSWERS WILL BE PROVIDED IN A SUBSEQUENT ADDENDUM.						

SEE REVERSE SIDE FOR TERMS AND CONDITIONS

SIGNATURE <i>Randy Prere</i>	TELEPHONE <i>740-418-1350</i>	DATE <i>2/23/12</i>
TITLE <i>Sales Representative</i>	FEIN <i>55-0352647</i>	ADDRESS CHANGES TO BE NOTED ABOVE

WHEN RESPONDING TO RFQ, INSERT NAME AND ADDRESS IN SPACE ABOVE LABELED 'VENDOR'



State of West Virginia
 Department of Administration
 Purchasing Division
 2019 Washington Street East
 Post Office Box 50130
 Charleston, WV 25305-0130

Request for Quotation

RFQ NUMBER
 DNR212090

PAGE
 1

ADDRESS CORRESPONDENCE TO ATTENTION OF:
 FRANK WHITTAKER
 304-558-2316

RFQ COPY

TYPE NAME/ADDRESS HERE

VENDOR

Cecil I Walker Machinery
PO Box 2427
Charleston WV 25329

SHIP TO

DIVISION OF NATURAL RESOURCES
 JOBSITE
 SEE SPECIFICATIONS

DATE PRINTED	TERMS OF SALE	SHIP VIA	F.O.B.	FREIGHT TERMS
02/14/2012				

BID OPENING DATE: 02/23/2012 BID OPENING TIME 01:30PM

LINE	QUANTITY	UOP	CAT. NO.	ITEM NUMBER	UNIT PRICE	AMOUNT
***** ADDENDUM NO. 2 *****						
THIS ADDENDUM IS ISSUED TO:						
1) EXTEND THE BID OPENING DATE AND TIME TO: 02/23/2012 AT 1:30 PM						
2) PROVIDE THE ATTACHED TECHNICAL QUESTIONS & ANSWERS.						
C001	1	EA		765-85		
FORESTRY GRADE TRACK LOADER						

SEE REVERSE SIDE FOR TERMS AND CONDITIONS

SIGNATURE <i>Randy Preece</i>	TELEPHONE <i>740-418-1350</i>	DATE <i>2/23/12</i>
TITLE <i>Sales Representative</i>	FEIN <i>55-0352647</i>	ADDRESS CHANGES TO BE NOTED ABOVE

WHEN RESPONDING TO RFQ, INSERT NAME AND ADDRESS IN SPACE ABOVE LABELED 'VENDOR'

DNR212090
TECHNICAL QUESTIONS

Question 1

Here are some questions we have on the track loader bid, as we plan to quote our 299C.

95 HP Spec

The 299C has 94 hp gross.

RESPONSE: Minimum hp remains 95.

Pilot joystick controls spec

The 299C is electro-hydraulic, but functions just as a pilot operated system will.

RESPONSE: The Agency is agreeable to the electro-hydraulic system in place of the joystick feature.

Suspension seat spec

The 299C will be equipped with an air suspension seat, but does not have shoulder belts.

RESPONSE: Shoulder belts are mandatory due to the rough terrain and varying weather conditions.

Auxiliary Hydraulics spec (low flow minimum 25 gpm, max flow of 40 gpm)

The 299C has 22 gpm low flow, and 33 gpm high flow.

RESPONSE: Auxiliary hydraulics spec remains low flow maximum of 25 gpm and high flow maximum of 40 gpm

Rotary Mulching Head, (cutting width 60", max width 75")

CAT HM315 Mulcher has a 57" cutting width, and a 72" outside width.

RESPONSE: Minimum width remains 60", max width 75"

Answer 1

Based upon considerable research by our staff, we do not feel that it is in our agency's best interest to relax the specifications (i.e., horsepower, cutting width, etc.) on the forestry mulcher. Our agency is agreeable to the electro-hydraulic system in place of the pilot joystick feature. However, we feel that shoulder belts are mandatory due to the rough terrain and varying weather conditions in which the machine will be used.

CI Walker Machinery Company Exceptions to:

Division of Natural Resources RFQ DNR212090

CATERPILLAR 299C EXCEPTIONS TO BID GENERAL SPECIFICATIONS

- 1) 94hp gross / 90hp net instead of 95hp gross
- 2) Joystick Electro-hydraulic controls instead of joystick pilot controls
- 3) Equipped with lap restraint seat belts, no option of shoulder belts

CATERPILLAR HM315 MULCHER EXCEPTIONS TO BID GENERAL SPECIFICATIONS

- 1) Mulcher cutting width is 57 inches instead of 60 inches

Walker



Cecil I. Walker Machinery Co.

Quotation # 21-12

January 26, 2012

P.O. BOX 2427
CHARLESTON, WV 25329
(304) 949-6400
FAX (304) 949-7272

4010 EMERSON AVENUE
P.O. BOX 4128
PARKERSBURG, WV 26101
(304) 424-0200
FAX (304) 424-0208

P.O. BOX 931
1477 MAYHEW ROAD
JACKSON, OHIO 45640
(740) 266-7566
FAX (740) 266-6040

1314 ROBERT C. BYRD DR
CRAB ORCHARD, WV 25827
(304) 253-2706
FAX (304) 253-0891

3360 TURNPIKE ROAD
SUMMERSVILLE, WV 26651
(304) 872-4303
FAX (304) 872-4392

P.O. BOX 9169
837 ADAMS AVENUE
HUNTINGTON, WV 25704
(304) 526-4600
FAX (304) 526-1878

7636 Hanging Rock HWY
P.O. BOX 146
LYBURN (LOGAN), WV 25632
(304) 752-0300
FAX (304) 752-0300

3 PARK ROAD
HUB INDUSTRIAL PARK
NITRO, WV 25143
(304) 759-6400
FAX (304) 759-6401

McClintic Wildlife Management Area

Route 1 Box 484

Point Pleasant, WV 25550

Attention: Mr. Randy Kelley

Net Due (10) Days
from Date of Invoice

Terms: Will Advise

Delivery: after receipt of order:
(Delivery is based on current manufacturer's schedule, but can not be guaranteed)

Your inquiry

We are pleased to quote you on the following material, F.O.B. cars Jobsite

One (1) new Caterpillar 299 Compact Track Loader, series C, arrangement number 375-0929, equipped with the following standard equipment:

ELECTRICAL - 12 volt electrical system, 90 ampere alternator, ignition key start/stop/auxiliary switch, lights: gauge backlighting, two rear tail lights, rear working lights, two adjustable front halogen lights, dome light, backup alarm, heavy duty battery, 880 CCA

OPERATOR ENVIRONMENT - gauges: fuel level, hour meter, operator warning system indicators: air filter restriction, alternator output, armrest raised/operator out of seat, engine coolant temperature, engine oil pressure, glow plug activation, hydraulic filter restriction, hydraulic oil temperature, park brake engages, adjustable suspension vinyl seat, fold in ergonomic contoured armrest, control interlock system, when operator leaves seat or armrest raised: hydraulic system disables, hydrostatic transmission disables, parking brake engages, ROPS cab, open, tilt up, FOPS, level 1, top and rear windows, deluxe headliner, floormat, interior rear view mirror, 12 volt electric socket, horn

POWERTRAIN - Caterpillar C3.4T Tier 3 Compliant, diesel engine, 90 net horsepower @2500 RPM, fuel priming pump, glow plugs starting aid, liquid cooled, direct injection, air cleaner, dual element, radial seal, SOS sampling valves, hydraulic oil, filter, spin on, hydraulic, filters, bayonet-type, fuel and water separator, tilt up radiator/hydraulic oil cooler, muffler, standard, spring applied, hydraulically released, wet multi disk parking brakes, hydrostatic transmission

OTHER STANDARD EQUIPMENT - Engine enclosure-lockable, extended life antifreeze (-37C, -34F), machine tie down points (4), coupler mechanical, support, lift arm, hydraulic oil level sight gauge, radiator coolant level sight gauge, radiator expansion bottle, Caterpillar Tough Guard TM* XT hose, auxiliary, hydraulics, continuous flow, heavy duty flat faced quick disconnects, split



Quotation # 21-12

Cecil I. Walker Machinery Co.

January 26, 2012

- P.O. BOX 2427
CHARLESTON, WV 25329
(304) 949-6400
FAX (304) 949-7272
- 4010 EMERSON AVENUE
P.O. BOX 4128
PARKERSBURG, WV 26101
(304) 424-0200
FAX (304) 424-0208
- P.O. BOX 981
1477 MAYHEW ROAD
JACKSON, OHIO 45640
(740) 286-7566
FAX (740) 286-6040
- 1314 ROBERT C. BYRD DR.
CRAB ORCHARD, WV 25827
(304) 253-2706
FAX (304) 253-0891
- 3360 TURNPIKE ROAD
SUMMERSVILLE, WV 26651
(304) 872-4303
FAX (304) 872-4392
- P.O. BOX 9189
837 ADAMS AVENUE
HUNTINGTON, WV 25704
(304) 526-4800
FAX (304) 526-4807
- 7636 Hanging Rock HWY
P.O. BOX 146
LYBURN (LOGAN), WV 25632
(304) 752-0300
FAX (304) 752-0300
- 3 PARK ROAD
HUB INDUSTRIAL PARK
NITRO, WV 25143
(304) 759-6400
FAX (304) 759-6404

McClintic Wildlife Management Area

Route 1 Box 484

Point Pleasant, WV 25550

Attention: Mr. Randy Kelley

Net Due (10) Days
from Date of Invoice

Terms: Will Advise

Delivery: after receipt of order:

(Delivery is based on current manufacturer's schedule, but can not be guaranteed)

Your inquiry

We are pleased to quote you on the following material, F.O.B. cars Jobsite

One (1) new Caterpillar 299 Compact Track Loader, series C, arrangement number 375-0929, equipped with the following standard equipment:

ELECTRICAL - 12 volt electrical system, 90 ampere alternator, ignition key start/stop/auxiliary switch, lights: gauge backlighting, two rear tail lights, rear working lights, two adjustable front halogen lights, dome light, backup alarm, heavy duty battery, 880 CCA

OPERATOR ENVIRONMENT - gauges: fuel level, hour meter, operator warning system indicators: air filter restriction, alternator output, armrest raised/operator out of seat, engine coolant temperature, engine oil pressure, glow plug activation, hydraulic filter restriction, hydraulic oil temperature, park brake engages, adjustable suspension vinyl seat, fold in ergonomic contoured armrest, control interlock system, when operator leaves seat or armrest raised: hydraulic system disables, hydrostatic transmission disables, parking brake engages, ROPS cab, open, tilt up, FOPS, level 1, top and rear windows, deluxe headliner, floormat, interior rear view mirror, 12 volt electric socket, horn

POWERTRAIN - Caterpillar C3.4T Tier 3 Compliant, diesel engine, 90 net horsepower @2500 RPM, fuel priming pump, glow plugs starting aid, liquid cooled, direct injection, air cleaner, dual element, radial seal, SOS sampling valves, hydraulic oil, filter, spin on, hydraulic, filters, bayonet-type, fuel and water separator, tilt up radiator/hydraulic oil cooler, muffler, standard, spring applied, hydraulically released, wet multi disk parking brakes, hydrostatic transmission

OTHER STANDARD EQUIPMENT - Engine enclosure-lockable, extended life antifreeze (-37C, -34F), machine tie down points (4), coupler mechanical, support, lift arm, hydraulic oil level sight gauge, radiator coolant level sight gauge, radiator expansion bottle, Caterpillar Tough Guard TM* XT hose, auxiliary, hydraulics, continuous flow, heavy duty flat faced quick disconnects, split

McClintic Wildlife Management Area
299C

D-ring to route work tool hoses along side of left lift arm,
electrical outlet, beacon, variable speed hydraulic cooling fan,
belly pan cleanout

HYDRAULICS - controls: electro/hydraulic implement control right
hand, electro/hydraulic hydrostatic transmission control, left hand,
hand and foot throttle

UNDERCARRIAGE - steel imbed rubber track (18" wide), 2 speed motor,
suspension - independent torsion axle

Equipped with the following options:

- 304-1899 Compact Track Loader
- 218-0942 Heater, Engine Coolant, 120V
- 233-5913 Instructions, English
- 258-2568 Hydraulics, High Flow XPS
- 258-3681 ROPS, Enclosed with Air Condition (C3)
- 258-3791 Quick Coupler, Hydraulic
- 258-3800 Conversion Arrangement
- 258-4066 Radio Ready
- 258-4080 Door, Cab, Polycarbonate
- 258-4095 Belt, Seat, 2"
- 258-4330 Seat, Comfort, Air Suspension
- 295-7115 Engine, Tier 3 Compliant
- 304-1933 Package, Performance, (TL3)
- 304-1862 Instructions, ANSI, NACD
- 233-5913 Instructions, English
- A00-1565 SOS Kit
- 308-0250 Mulcher, HM315, Carbide Teeth
- 305-8044 Kit, Air Condition Breather
- 287-4160 Kit, Counterweight, 100LB ROC
- 280-8392 Kit, Turbo Debris Guard
- 342-2685 Kit, Debris Barrier
- 258-4127 Kit, W/T Electrical Control

Total Net Price, F.O.B. Jobsite,

\$ 82,484

This unit will be covered by the following warranty:

Standard Machine - 12 months unlimited hours

Option: Extended Power Train - 3 years or 3,000 hours, whichever occurs
first

Add: \$ 2,341

NOTICE: All equipment and/or contracts shall be subject to be increased, without notice, by the amount of any Sales or Excise Tax levied or charged, either by the Federal, State or any governmental agency, and are subject to manufacturer's price in effect at time of shipment.

Trusting to be of service,



Randy Preece, Sales Representative

Very truly yours,

CÉCIL I. WALKER MACHINERY CO.



Cat[®] 299C

COMPACT TRACK LOADER

FEATURES:

The Cat[®] 299C Compact Track Loader, with its vertical lift design, delivers extended reach and lift height for quick and easy truck loading. The torsion axle suspension system provides superior traction, flotation and the ability to work in a wide range of underfoot conditions and applications. The 299C features the following:

- **Sealed and pressurized cab option** provides a cleaner and quieter operating environment.
- **Seat mounted adjustable joystick controls and available air ride seat** make the C-Series the industry leader in operator comfort.
- **High performance power train** provides high engine horsepower and torque. Electronic Torque Management and standard two speed travel provide maximum performance and production capabilities.
- **High Flow XPS hydraulic system** is available for applications that demand maximum hydraulic work tool performance.
- **Fully independent torsion axle suspension** is standard on C-Series Compact Track Loaders. This improves operation on rough terrain, enabling better load retention and operator comfort.
- **Easy routine maintenance** helps reduce machine downtime for greater productivity.
- **Caterpillar's broad range of performance matched work tools** make the Cat Compact Track Loader the most versatile machine on the jobsite.

Specifications

Engine

Engine Model	Cat [®] C3.4T	
Gross Power SAE J1995	70 kW	94 hp
Net Power SAE 1349	67 kW	90 hp
Displacement	3.3 L	201 in ³
Stroke	120 mm	4.7 in
Bore	94 mm	3.7 in

Weights

Operating Weight	4867 kg	10,730 lb
------------------	---------	-----------

Power Train

Travel Speed (Forward or Reverse):		
One Speed	8.1 kph	5.0 mph
Two Speed	13.6 kph	8.5 mph

Hydraulic System

Hydraulic Flow – Standard:		
Loader Hydraulic Pressure	23 000 kPa	3,335 psi
Loader Hydraulic Flow	84 L/min	22 gal/min
Hydraulic Power	31.9 kW	42.8 hp
Hydraulic Flow – High Flow XPS:		
Max. Loader Hydraulic Pressure	28 000 kPa	4,061 psi
Max. Loader Hydraulic Flow	125 L/min	33 gal/min

Operating Specifications

Rated Operating Capacity:		
35% Tipping Load	1318 kg	2,905 lb
50% Tipping Load	1882 kg	4,150 lb
Rated Operating Capacity with Optional Counterweight	2004 kg	4,418 lb
Tipping Load	3782 kg	8,338 lb
Breakout Force, Tilt Cylinder	3315 kg	7,308 lb
Ground Contact Area	1.62 m ²	2,504 in ²
Ground Pressure	29.6 kPa	4.3 psi

Cab

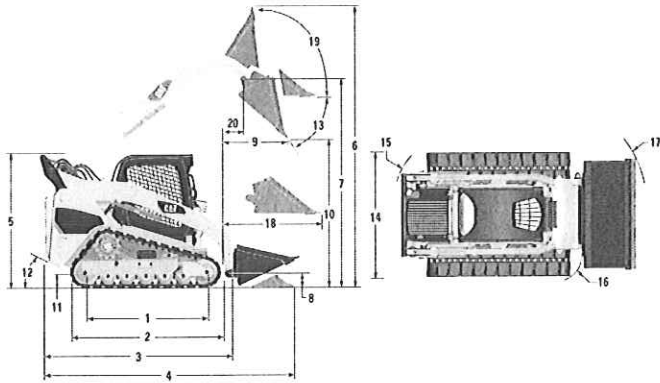
ROPS ¹	SAE J1040 MAY94, ISO 3471:1994
FOPS	SAE J1043 SEPT87, ISO 3449:1992 Level I
FOPS Level II	SAE J231 JAN81, ISO 3449:1992 Level II

Service Refill Capacities

Cooling System	14 L	3.7 gal
Engine Crankcase	10 L	2.6 gal
Fuel Tank	98 L	26 gal
Hydraulic System	57 L	15 gal
Hydraulic Tank	42 L	11 gal

CATERPILLAR[®]

299C Compact Track Loader



Dimensions

1 Length of Track on Ground	1767 mm	69.6 in
2 Overall Length of Track	2270 mm	89.4 in
3 Length w/o Bucket	3101 mm	122.1 in
4 Length w/Bucket on Ground	3820 mm	150.4 in
5 Height to Top of Cab	2117 mm	83.3 in
6 Max. Overall Height	4121 mm	162.3 in
7 Bucket Pin Height at Max. Lift	3286 mm	129.4 in
8 Bucket Pin Height at Carry Position	195 mm	7.7 in
9 Reach at Max. Lift and Dump	763 mm	30.0 in
10 Clearance at Max. Lift and Dump	2493 mm	98.1 in
11 Ground Clearance	231 mm	9.1 in
12 Departure Angle	38°	
13 Maximum Dump Angle	51°	
14 Vehicle Width	1981 mm	78.0 in
15 Turning Radius from Center – Machine Rear	1775 mm	69.9 in
16 Turning Radius from Center – Coupler	1471 mm	57.9 in
17 Turning Radius from Center – Bucket	2314 mm	91.1 in
18 Max. Reach w/Arms Parallel to Ground	1269 mm	49.9 in
19 Rack Back Angle at Max. Height	83°	
20 Bucket Pin Reach at Max. Lift	374 mm	14.7 in

MANDATORY EQUIPMENT

- Hydraulics, Standard or High Flow XPS
- Quick Coupler, Mechanical or Hydraulic
- Seat Belt, 50 mm (2 in) or 75 mm (3 in)

COMFORT PACKAGE (must select one of the following)

- Open ROPS (C1): *Radio Ready, Suspension Seat, (No Heater or Door)*
- Enclosed ROPS with Heat (C2): *Cup Holder, Radio Ready, Seat (choice of Suspension or Air Ride), Heater and Defroster, Side Windows, Door (either Glass or Polycarbonate)*
- Enclosed ROPS with A/C (C3): *C2 + Air Conditioner*

PERFORMANCE PACKAGE (must select one of the following)

- TL1: *Two Speed*
- TL2: *Two Speed, Self Level*
- TL3: *Two Speed, Self Level, Advanced Machine Information and Control System (AMICS)*

STANDARD EQUIPMENT

ELECTRICAL

- 12 volt Electrical System
- 90 ampere Alternator
- Automatic Glow Plug Activation
- Ignition Key Start/Stop Switch
- Lights: *Gauge Backlighting, Two Rear Tail Lights, Two Rear Working Lights, Two Adjustable Front Halogen Lights, Dome Light*
- Backup Alarm
- Heavy Duty Battery, 880 CCA

OPERATOR ENVIRONMENT

- Gauges: *Fuel Level, Hour Meter*
- Operator Warning System Indicators: *Air Filter Restriction, Alternator Output, Armrest Raised/Operator Out of Seat, Engine Coolant Temperature, Engine Oil Pressure, Glow Plug Activation, Hydraulic Filter Restriction, Hydraulic Oil Temperature, Park Brake Engaged*
- Vinyl Seat, Mechanical Suspension
- Fold in Ergonomic Contoured Armrest
- Control Interlock System, when operator leaves seat or armrest raised: *Hydraulic System Disables, Hydrostatic Transmission Disables, Parking Brake Engages*
- ROPS Cab, Open, Tilt Up
- FOPS, Level I
- Top and Rear Windows
- Headliner, Deluxe
- Floor Mat
- Interior Rear View Mirror
- 12 volt Electric Socket
- Horn

POWER TRAIN

- Cat® C3.4T Tier 3 Compliant Diesel Engine
- Air Cleaner, Dual Element, Radial Seal
- S-O-S™ Sampling Valve, Hydraulic Oil
- Filters, Spin-on, Hydraulic
- Filters, Bayonet-type, Fuel and Water Separator
- Tilt Up Radiator/Hydraulic Oil Cooler
- Spring Applied, Hydraulically Released, Wet Multi Disc Parking Brakes
- Hydrostatic Transmission, 2 Speed (standard)

OTHER

- Suspension, Torsion Axles
- Engine Enclosure, Lockable
- Extended Life Antifreeze, -37° C (-34° F)
- Machine Tie Down Points (4)
- Support, Lift Arm
- Hydraulic Oil Level Sight Gauge
- Radiator Coolant Level Sight Gauge
- Radiator, Expansion Bottle
- Caterpillar ToughGuard™ Hose
- Auxiliary, Hydraulics, Continuous Flow
- Heavy Duty, Flat Faced Quick Disconnects
- Split D-Ring to Route Work Tool Hoses Along Side of Left Lift Arm
- Electrical Outlet, Beacon
- Belly Pan Cleanout
- Variable Speed Demand Fan

OPTIONAL ATTACHMENTS

- Counterweight
- Beacon, Rotating
- Engine Block Heater – 120V or 240V
- Oil, Hydraulic, Cold Operation
- Paint, Custom
- AM/FM/Weather Band Radio with CD Player and Auxiliary Input Jack

For more complete information on Cat products, dealer services, and industry solutions, visit us on the web at www.cat.com

AEHQ5981-01 (5-10)
Replaces AEHQ5981

© 2010 Caterpillar
All Rights Reserved
Printed in U.S.A.

Materials and specifications are subject to change without notice. Featured machines in photos may include additional equipment. See your Caterpillar dealer for available options.

CAT, CATERPILLAR, their respective logos, "Caterpillar Yellow" and the "Power Edge" trade dress, as well as corporate and product identity used herein, are trademarks of Caterpillar and may not be used without permission.

CATERPILLAR®



Cat[®] Mulchers

Skid Steer Loaders
Multi Terrain Loaders
Compact Track Loaders

Cat[®] Mulchers are designed for high-performance cutting, and mulching vegetation and undergrowth from typical wooded terrain. The hydraulic mulcher reduces saplings, shrubs and trees into mulched material, making it ideal for environmental maintenance, such as creating fire lanes. Other applications include: reclaiming untilled land, removing foliage from building construction sites, and shredding pruned material and organic waste for biomass production.

Features:

Axial piston hydraulic motor

- Axial piston hydraulic motor provides smooth, efficient performance.

Rugged mulching head

- Rugged mulching head processes trees up to 200 mm (8 in) diameter for effective land clearing applications.

Fixed tooth balanced rotor

- Fixed tooth balanced rotor provides excellent operating efficiency at high speed.

Adjustable push frame

- Adjustable push frame is standard equipment on both the HM312 and HM315 and provides the ability to position trees to allow for optimum cutting and efficiency. It also provides operator cab protection.

Heavy-duty bearings

- Heavy-duty bearings extend work tool life.

Hydraulically operated front hood

- Hydraulically operated front hood allows trees to be cut when opened and allows dense vegetation to be mulched.

V-belt drive

- V-belt drive protects the motor against blockages.

Rear chain guard protection

- Rear chain guard protection reduces spread of material.

Rigid, robust tempered steel

- Rigid, robust tempered steel construction provides fully guarded protection in tough applications.

Cat XT[™]-3 ES hose, couplings and O-ring face seals

- Cat XT-3 ES hose, couplings and O-ring face seals provide superior, leak-free performance and reliability. All hoses are wrapped with nylon woven cordura sleeving for added operator protection. Hydraulic quick disconnects enable fast tool changes.

Quick coupler

- Rugged, opposing edge design holds the work tool securely and allows the operator to quickly change from one high performance Cat Work Tool to another.

Compatibility

Model Machines

HM312* 246C, 256C, 262C, 272C, 277C, 287C, 297C, 299C, 289C, 299C

HM315* 246C, 256C, 262C, 272C, 277C, 287C, 297C, 299C, 289C, 299C

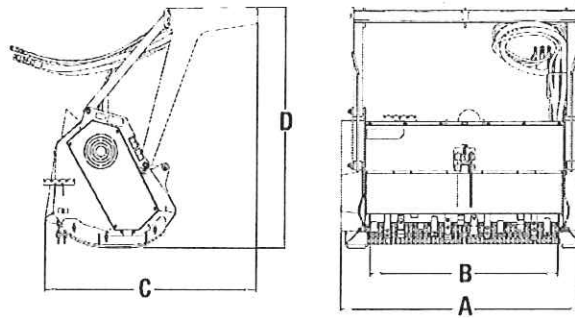
* Requires high flow or high flow XPS option on machine.

Debris Barrier recommended.

CATERPILLAR[®]

Cat Mulchers

Specifications



		HM312		HM315	
A Overall width	mm (in)	1640	(65)	1830	(72)
B Working width	mm (in)	1210	(48)	1450	(57)
C Length	mm (in)	1470	(58)	1470	(58)
D Overall height	mm (in)	1610	(63)	1610	(63)
Weight	kg (lb)	1035	(2,280)	1075	(2,365)
Drive method		V-belt drive		V-belt drive	
Motor		Axial piston hydraulic		Axial piston hydraulic	
Optimum hydraulic flow range	L/min (gpm)	120-137	(31.5-36) ¹²	120-137	(31.5-36)
Optimal hydraulic pressure range	bar (psi)	195-350	(2,828-5,075)	195-350	(2,828-5,075)
Drum speed range	rpm	1,800-2,100		1,800-2,100	
Fixed teeth per drum		28		34	
Maximum cutting diameter	mm (in)	200	(8)	200	(8)

For more complete information on Cat products, dealer services, and industry solutions, visit us on the web at www.cat.com

AEHQ5833-03 (9-08)

© 2008 Caterpillar
All Rights Reserved
Printed in U.S.A.

Replaces AEHQ5833-02

Materials and specifications are subject to change without notice. Featured machines in photos may include additional equipment. See your Caterpillar dealer for available options.

CAT, CATERPILLAR, SAFETY.CAT.COM, their respective logos, "Caterpillar Yellow," and the POWER EDGE trade dress, as well as corporate and product identity used herein, are trademarks of Caterpillar and may not be used without permission.

CATERPILLAR®