



STATE OF WEST VIRGINIA
DEPARTMENT OF ADMINISTRATION
PURCHASING DIVISION
BUILDING 15
2019 WASHINGTON STREET, EAST
CHARLESTON, WV 25305-0130

January 25, 2012

P.O. Box 629
Cowen, WV 26206
(304) 226-3299
(304) 226-3067 Fax

ATTN: FRANK WHITTAKER
304-558-2316

QUOTATION

We are pleased to quote the following material for you:

P.O. Box 1220
Beaver, WV 25813
(304) 255-1525
(304) 252-9806 Fax

(1) 2012 JOHN DEERE 333DT TRACK SKID STEER – ON ORDER-
WITH-

P.O. Box 299
Norton, WV 26285
(304) 636-6421
(304) 636-3516 Fax

ENGINE: JOHN DEERE POWERTECH 5030Tw 3.1L (186cu In.) certified to EPA Tier 2 emissions.

P.O. Box 201
Chillicothe, OH 45601
(740) 663-5300
(740) 663-5306 Fax

82 gross hp
Turbocharged
Cab unit (with air –heat –defrost –rearview mirror)
Joystick controls

19 Goff Crossing Dr.
Cross Lanes, WV 25313
(304) 204-1818
(304) 204-1811 Fax

Rubber tracks (18" width)
Hi- flow hydraulics
Power quick attach
Air suspension seat

8331 Meade Springer Rd.
Ashland, KY 41102
(606) 928-3477
(606) 928-6845 Fax

Horn
Precleaner
Backup alarm
Cold start package
Hazard warning lights
Heavy duty rear grill
84" bucket with cutting edge
Misc guarding (for working lights –lift cylinders –quick coupler –side & rear window guarding)

P.O. Box 3540
Pikeville, KY 41502
(606) 432-0321
(606) 432-5918 Fax

JOHN DEERE MH60 MULCHER:

105 Tennis Center Dr.
Marietta, OH 45750
(740) 373-5255
(740) 373-5570 Fax

74" overall width
60" cutting width
36 carbide cutting tools

60611 Hulse Drive
Cambridge, OH 43725
(740) 439-2747
(740) 439-2325 Fax

SALE PRICE: \$80,470.00

284 Van Kirk Drive
Fairmont, WV 26554
(304) 534-5454
(304) 534-5888 Fax

THANK YOU,

BRAD HAYHURST

RECEIVED

2012 JAN 30 P 3: 04

PURCHASING DIVISION
STATE OF WV



State of West Virginia
 Department of Administration
 Purchasing Division
 2019 Washington Street East
 Post Office Box 50130
 Charleston, WV 25305-0130

**Request for
 Quotation**

RFQ NUMBER
 DNR212090

PAGE
 1

ADDRESS CORRESPONDENCE TO ATTENTION OF
 FRANK WHITTAKER
 304-558-2316

V
E
N
D
O
R

FECON INCORPORATED
 3460 GRANT DRIVE
 LEBANON, OH 45036

S
H
I
P
T
O

DIVISION OF NATURAL RESOURCES
 JOBSITE
 SEE SPECIFICATIONS

DATE PRINTED 12/29/2011	TERMS OF SALE	SHIP VIA	F.O.B.	FREIGHT TERMS
----------------------------	---------------	----------	--------	---------------

BID OPENING DATE: 01/31/2012 BID OPENING TIME 01:30PM

LINE	QUANTITY	UOP	CAT. NO.	ITEM NUMBER	UNIT PRICE	AMOUNT
0001	1	EA		765-85		
FORESTRY GRADE TRACK LOADER						
<p>THE WEST VIRGINIA PURCHASING DIVISION, FOR THE AGENCY, THE WEST VIRGINIA DIVISION OF NATURAL RESOURCES IS SOLICITING BIDS FOR A FORESTRY GRADE COMPACT TRACK LOADER WITH ROTARY MULCHER ATTACHEMENT.</p> <p>ALL TECHNICAL QUESTIONS MUST BE SUBMITTED IN WRITING TO FRANK WHITTAKER IN THE WV PURCHASING DIVISION EMAIL AT FRANK.M.WHITTAKER@WV.GOV OR VIA FAX AT 304-558-4114. DEADLINE FOR ALL TECHNICAL QUESTIONS IS 01/11/2012 AT 4:00 PM. ALL TECHNICAL QUESTIONS WILL BE ADDRESSED BY ADDENDUM AFTER THE DEADLINE.</p> <p>BANKRUPTCY: IN THE EVENT THE VENDOR/CONTRACTOR FILES FOR BANKRUPTCY PROTECTION, THE STATE MAY DEEM THE CONTRACT NULL AND VOID, AND TERMINATE SUCH CONTRACT WITHOUT FURTHER ORDER.</p> <p>EXHIBIT 10</p> <p>REQUISITION NO.:</p> <p>ADDENDUM ACKNOWLEDGEMENT</p> <p>I HEREBY ACKNOWLEDGE RECEIPT OF THE FOLLOWING CHECKED ADDENDUM(S) AND HAVE MADE THE NECESSARY REVISIONS TO MY PROPOSAL, PLANS AND/OR SPECIFICATION, ETC.</p> <p>ADDENDUM NO.'S:</p>						

SEE REVERSE SIDE FOR TERMS AND CONDITIONS

SIGNATURE: *Robert J. Kanawha* TELEPHONE: 304-255-1525 DATE: 1/26/12
 TITLE: General Spec Mgr FEIN: 55049-3180 ADDRESS CHANGES TO BE NOTED ABOVE

WHEN RESPONDING TO RFQ, INSERT NAME AND ADDRESS IN SPACE ABOVE LABELED 'VENDOR'



State of West Virginia
 Department of Administration
 Purchasing Division
 2019 Washington Street East
 Post Office Box 50130
 Charleston, WV 25305-0130

Request for Quotation

RFQ NUMBER
 DNR212090

PAGE
 2

ADDRESS CORRESPONDENCE TO ATTENTION OF:
 FRANK WHITTAKER
 304-558-2316

RFQ COPY
 TYPE NAME/ADDRESS HERE

VENDOR

SHIP TO

DIVISION OF NATURAL RESOURCES
 JOBSITE
 SEE SPECIFICATIONS

DATE PRINTED 12/29/2011	TERMS OF SALE	SHIP VIA	F.O.B.	FREIGHT TERMS
----------------------------	---------------	----------	--------	---------------

BID OPENING DATE: 01/31/2012 BID OPENING TIME 01:30PM

LINE	QUANTITY	UOP	CAT. NO.	ITEM NUMBER	UNIT PRICE	AMOUNT
------	----------	-----	----------	-------------	------------	--------

NO. 1 .. *NONE*
 NO. 2
 NO. 3
 NO. 4
 NO. 5

I UNDERSTAND THAT FAILURE TO CONFIRM THE RECEIPT OF THE ADDENDUM(S) MAY BE CAUSE FOR REJECTION OF BIDS.

VENDOR MUST CLEARLY UNDERSTAND THAT ANY VERBAL REPRESENTATION MADE OR ASSUMED TO BE MADE DURING ANY ORAL DISCUSSION HELD BETWEEN VENDOR'S REPRESENTATIVES AND ANY STATE PERSONNEL IS NOT BINDING. ONLY THE INFORMATION ISSUED IN WRITING AND ADDED TO THE SPECIFICATIONS BY AN OFFICIAL ADDENDUM IS BINDING.

R. L. J. Kaminski
 SIGNATURE

Leslie Equipment Co., Inc.
 COMPANY

1/26/12
 DATE

NOTE: THIS ADDENDUM ACKNOWLEDGEMENT SHOULD BE SUBMITTED WITH THE BID.

REV. 09/21/2009

SEE REVERSE SIDE FOR TERMS AND CONDITIONS.

SIGNATURE	TELEPHONE	DATE
TITLE	FEIN	ADDRESS CHANGES TO BE NOTED ABOVE

WHEN RESPONDING TO RFQ, INSERT NAME AND ADDRESS IN SPACE ABOVE LABELED 'VENDOR'



State of West Virginia
 Department of Administration
 Purchasing Division
 2019 Washington Street East
 Post Office Box 50130
 Charleston, WV 25305-0130

Request for Quotation

RFQ NUMBER
DNR212090

PAGE
3

ADDRESS CORRESPONDENCE TO ATTENTION OF:
FRANK WHITTAKER
304-558-2316

RFQ COPY

TYPE NAME/ADDRESS HERE

VENDOR

SHIP TO

DIVISION OF NATURAL RESOURCES
 JOBSITE
 SEE SPECIFICATIONS

DATE PRINTED	TERMS OF SALE	SHIP VIA	FOB	FREIGHT TERMS
12/29/2011				

BID OPENING DATE: 01/31/2012 BID OPENING TIME 01:30PM

LINE	QUANTITY	UOP	CAT. NO.	ITEM NUMBER	UNIT PRICE	AMOUNT
NOTICE						
A SIGNED BID MUST BE SUBMITTED TO:						
DEPARTMENT OF ADMINISTRATION						
PURCHASING DIVISION						
BUILDING 15						
2019 WASHINGTON STREET, EAST						
CHARLESTON, WV 25305-0130						
THE BID SHOULD CONTAIN THIS INFORMATION ON THE FACE OF						
THE ENVELOPE OR THE BID MAY NOT BE CONSIDERED:						
SEALED BID						
BUYER: 44						
RFQ. NO.: DNR212090						
BID OPENING DATE: 01/31/2012						
BID OPENING TIME: 1:30 PM						
PLEASE PROVIDE A FAX NUMBER IN CASE IT IS NECESSARY						
TO CONTACT YOU REGARDING YOUR BID:						
----- 304-252-9806 -----						
CONTACT PERSON (PLEASE PRINT CLEARLY):						

SEE REVERSE SIDE FOR TERMS AND CONDITIONS

SIGNATURE	TELEPHONE	DATE
TITLE	FEIN	ADDRESS CHANGES TO BE NOTED ABOVE

WHEN RESPONDING TO RFQ, INSERT NAME AND ADDRESS IN SPACE ABOVE LABELED 'VENDOR'



State of West Virginia
 Department of Administration
 Purchasing Division
 2019 Washington Street East
 Post Office Box 50130
 Charleston, WV 25305-0130

Request for Quotation

RFQ NUMBER
 DNR212090

PAGE
 4

ADDRESS CORRESPONDENCE TO ATTENTION OF:
 FRANK WHITTAKER
 304-558-2316

RFQ COPY

TYPE NAME/ADDRESS HERE

V
E
N
D
O
R

S
H
I
P
T
O

DIVISION OF NATURAL RESOURCES
 JOBSITE
 SEE SPECIFICATIONS

DATE PRINTED	TERMS OF SALE	SHIP VIA	F.O.B.	FREIGHT TERMS
12/29/2011				

BID OPENING DATE: 01/31/2012 BID OPENING TIME: 01:30PM

LINE	QUANTITY	UOP	CAT NO.	ITEM NUMBER	UNIT PRICE	AMOUNT
------	----------	-----	---------	-------------	------------	--------

----- Robert J. Kaminski -----

***** THIS IS THE END OF RFQ DNR212090 ***** TOTAL: _____

SEE REVERSE SIDE FOR TERMS AND CONDITIONS.

SIGNATURE		TELEPHONE	DATE
TITLE	FEIN	ADDRESS CHANGES TO BE NOTED ABOVE	

WHEN RESPONDING TO RFQ, INSERT NAME AND ADDRESS IN SPACE ABOVE LABELED 'VENDOR'

The West Virginia Purchasing Division for the West Virginia Division of Natural Resources is requesting bids for the purchase of one (1) Forestry Grade Compact Track Loader with Rotary Mulcher Attachment

General Specifications:

The Forestry Grade Compact Track Loader with Rotary Mulcher Attachment must be manufactured for commercial use. All items must be new (2011 or 2012 model).

Forestry Grade Compact Track Loader with Rotary Mulcher Attachment

Forestry grade loader/rotary mulcher must meet the following specifications:

- Must have a diesel engine with a minimum gross horsepower of 95 HP ✓
- ⊙ Must have general purpose tracks with minimum track width of 17 inches *SLGP - Package*
- Must have a hydrostatic powertrain ✓
- ⊙ Must have a heavy duty independent suspension of undercarriage
- Must have pilot joystick controls
- ⊙ Must have a suspension seat with lap and shoulder seat belts
- Must have auxiliary hydraulics (quick connect fittings) with low flow maximum of 25 gpm and high flow maximum of 40 gpm
- Must have an engine block heater
- Must be ROPS/FOPS/OPS (certified)
- Must have indicator warning lights for engine oil pressure, hot hydraulic oil and low battery voltage and a tachometer gauge, engine temperature gauge, and a fuel level gauge
- Must have front and rear emergency exits and a heavy duty polycarbonate door (severe duty) and wiper
- Must have light, hood, window, hose and cylinder, and condenser guards and skid plates and heavy duty grill
- Must have a climate control system with high output with a/c, heat and service access
- Must not exceed 14,500 lbs. (total weight) for entire package (track loader and mulcher attachment)
- Must have a heavy duty rotary drum (quick attach) mulcher attachment with steel push bar which has a minimum cutting width of 60 inches and maximum outside width of 75 inches. Rotary drum must have a hydraulic brake
- Must have a horn and back-up alarm

Damaged Items: Damaged or defective items must be replaced at no additional expense to The West Virginia Division of Natural Resources.

Warranty: The equipment must be guaranteed to be free of defects in workmanship and material for a minimum of one (1) year from date of acceptance. However, if manufacturer warranty periods are longer than the required minimum one year warranty, those warranties shall apply.

U

Delivery: All items are to be F.O.B. Destination. Freight or delivery charges must be included in the price of the goods. Delivery must be made within thirty (30) days of purchase order award.

Forestry Loader/Mulcher to be delivered to the following location:

McClintic Wildlife Management Area

Mason County

Route 1, Box 484, Pt. Pleasant, WV

Contact: Randy Kelley (304-675-0871) for delivery information

WV DIVISION OF NATURAL RESOURCES
MANUFACTURER'S LIST

Please complete the below information concerning the brand(s) of equipment being bid in relation to this project. If bidding "or equal" brands, please attach manufacturer's literature documenting that it meets the mandatory requirements stated in the specifications. Vendors should note the areas of the provided manufacturer's literature that adheres to the mandatory requirements outlined in the Request for Quotation.

ITEM NO.	EQUIPMENT	MANUFACTURER	MODEL
1	<i>Skid steer</i>	<i>John Deere</i>	<i>333DT</i>

WEST VIRGINIA DIVISION OF NATURAL RESOURCES
PRICING SHEET

Item Number	Quantity	Description	Unit Price	Amount
1	1	Forestry Grade Compact Track Loader with Rotary Mulcher Attachment	\$80,470.00	\$80,470.00
			Total Cost	\$80,470.00

Note: Delivery must be made within thirty (30) days of purchase order award.

Forestry Loader/Mulcher to be delivered to the following location:

*McClintic Wildlife Management Area
Mason County
Route 1, Box 484, Pt. Pleasant, WV
Contact: Randy Kelley (304-675-0871) for delivery information*

Specifications



Engine	CT322	CT332
Manufacturer and Model	John Deere PowerTech™ 4024T	John Deere PowerTech 5030Tw
Non-Road Emission Standards	certified to EPA Tier 2 emissions	certified to EPA Tier 2 emissions
Cylinders	4	5
Net Horsepower	62 hp (46.2 kW)	76 hp (56.7 kW)
Gross Horsepower	66 hp (49.2 kW)	82 hp (61.1 kW)
Displacement	149 cu. in. (2.4 L)	186 cu. in. (3.1 L)
Rated Engine Speed	2,800 rpm	2,800 rpm
Torque Rise	26%	31%
Aspiration	turbocharged	turbocharged
Air Cleaner	dry dual element	dry dual element
Cooling		
Engine Coolant Rating	-34 deg. F (-37 deg. C)	-34 deg. F (-37 deg. C)
Powertrain		
Pump	axial piston hydrostatic	servo standard / <i>electrohydraulic optional</i>
Controls	manual	manual hydrostatic-servo standard / <i>electrohydraulic joystick optional</i>
Travel Speeds:		
Single Speed, Standard	6.1 mph (9.8 km/h)	6.2 mph (10.0 km/h)
<i>Two Speed, Optional:</i>		
Low	5.5 mph (8.9 km/h)	5.3 mph (8.5 km/h)
High	8.5 mph (13.7 km/h)	7.8 mph (12.6 km/h)
Brake	integral, automatic, spring applied, hydraulically released, wet disc	integral, automatic, spring applied, hydraulically released, wet disc
Undercarriage		
Rubber Tracks	New-Generation Smooth-Ride Long-Life Bridgestone with steel inserts	New-Generation Smooth-Ride Long-Life Bridgestone with steel inserts
Track Width:		
Standard	12.6 in. (320 mm)	17.7 in. (450 mm)
Optional	15.8 in. (400 mm)	15.8 in. (400 mm)
Ground Pressure:		
Standard 12.6-in. (320 mm) Track	5.1 psi (35 kPa)	5.0 psi (34 kPa)
Optional 15.8-in. (400 mm) Track	4.2 psi (29 kPa)	4.3 psi (30 kPa)
Standard 17.7-in. (450 mm) Track		
Track Rollers (per side)	4 triple-flange smooth-ride all-steel rollers	5 triple-flange smooth-ride all-steel rollers
Track Idlers (per side)	2 double-flange smooth-ride all-steel rollers	2 double-flange smooth-ride all-steel rollers
Bearings/Seals (rollers/idlers)	heavy-duty journal bearings and metal face seals	heavy-duty journal bearings and metal face seals
Tractive Effort	8,000 lbf (3629 kgf)	11,500 lbf (5227 kgf)
Hydraulics		
Pump Flow:		
Standard	19 gpm (72 L/m)	24 gpm (91 L/m)
High-Flow Option Total	29 gpm (110 L/m)	34 gpm (129 L/m)
System Pressure at Couplers	3,450 psi (23 787 kPa)	3,100 psi (21 374 kPa)
Hydraulic Horsepower (calculated):		
Standard Flow	38.2 hp (28.5 kW)	43.4 hp (32.4 kW)
High-Flow Option	58.4 hp (43.5 kW)	61.5 hp (45.9 kW)
Electrical		
Voltage	12 volt	12 volt
Battery Capacity	750 CCA standard / 925 CCA optional	925 CCA
Alternator Rating	70 amp	70 amp
Lights	halogen, 2 front and 1 rear	halogen, 2 front and 1 rear

Serviceability

CT322

CT332

Serpentine belt and hydraulic valve lifters never require adjustment; operator station pivots for service access in minutes; rear-door-mounted oil cooler for easy radiator and cooler clean-out; boom lock in cab to secure loader before exiting operator seat; cooling system swing-out hydraulic oil cooler

Diagnostics computerized in-cab monitor information

Sight Gauges hydraulic reservoir

Refill Capacities:

Fuel Tank 18.5 gal. (70 L)
 Cooling System 1.75 gal. (6.6 L)
 Engine Oil with Filter 9.5 qt. (9 L)
 Hydraulic Tank 5 gal. (19 L)

computerized in-cab monitor information
 hydraulic reservoir

28.8 gal. (109 L)
 2.1 gal. (7.9 L)
 12.5 qt. (11.8 L)
 8.75 gal. (33.1 L)

Operating Weights

Track:

12.6-in. (320 mm) Standard 8,305 lb. (3770 kg)
 15.8-in. (400 mm) Optional 8,527 lb. (3871 kg)
 17.7 in. (450 mm) Standard 10,720 lb. (4867 kg)

10,825 lb. (4915 kg)

Dimensions

A Length without Bucket 8 ft. 6 in. (2.59 m)
B Length with Bucket 10 ft. 6 in. (3.20 m)

9 ft. 8 in. (2.93 m)
 11 ft. 7 in. (3.52 m)

C Width without Bucket:

12.6-in. (320 mm) Standard Track 6 ft. (1.82 m)
 15.8-in. (400 mm) Optional Track 6 ft. 3 in. (1.89 m)
 17.7 in. (450 mm) Standard Track 6 ft. 7 in. (2.00 m)

D Height to Top of ROPS 6 ft. 5 in. (1.95 m)

E Height to Hinge Pin 9 ft. 7 in. (2.93 m)

F Dump Height 7 ft. 7 in. (2.31 m)

G Dump Reach:

Heavy-Duty Foundry Bucket 2 ft. 8 in. (808 mm)
 Heavy-Duty Construction Bucket 3 ft. 3 in. (986 mm)

H Ground Clearance 9.6 in. (244 mm)

I Angle of Departure 28.5 deg.

J Front Turn Radius 6 ft. 7 in. (2.00 m)

K Dump Angle (at full lift height) 43 deg.

L Bucket Rollback (at ground level) 33 deg.

Tipping Load 6,400 lb. (2906 kg)

SAE Rated Operating Capacity (foundry bucket)

@ 35% of Tipping Load 2,200 lb. (999 kg)

@ 50% of Tipping Load 3,200 lb. (1453 kg)

Boom Breakout 3,410 lb. (1548 kg)

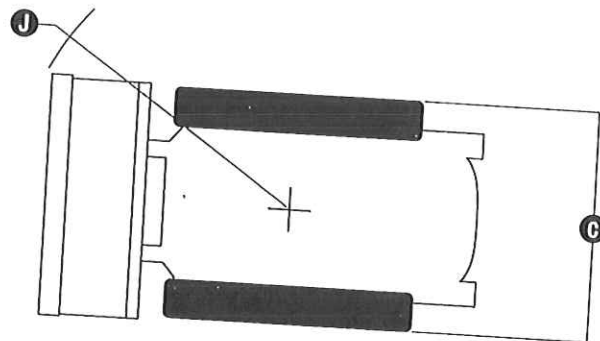
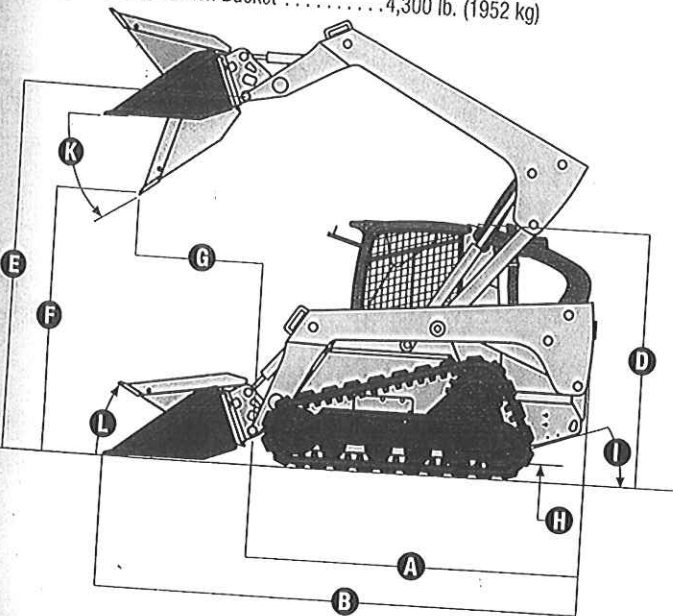
Bucket Breakout:

Heavy-Duty Foundry Bucket 6,050 lb. (2747 kg)

Heavy-Duty Construction Bucket 4,300 lb. (1952 kg)

3,200 lb. (1453 kg)
 4,600 lb. (2088 kg)
 6,650 lb. (3019 kg)

11,600 lb. (5266 kg)
 8,210 lb. (3727 kg)



Mulching Head

MH60



Specifications

- Remove up to 203-mm (8 in.) trees and 305-mm (12 in.) stumps. Shred underbrush and woody materials into beneficial mulch in just minutes.
- Severe-duty design utilizes oversize 64-mm (2.5 in.) sealed rotor bearings and double carbide-tipped teeth for long-term durability. Heavy-duty push bar is useful for toppling trees or brush, and helps protect the carrier.
- Hydraulic system maximizes available hydraulic horsepower. For extra protection, an internal valve eliminates return-oil pressure spikes during stalls. Prominently positioned gauge lets an operator easily monitor hydraulic operating pressure. For increased efficiency and reduced stalling.
- Hydraulic brake stops the rotor in less than 10 seconds, eliminating the "freewheeling" common with other designs. Allows an operator to exit quickly, if necessary.
- In-line cooler reduces hydraulic system heat for efficient operation in high-ambient-temperature conditions.
- With a 1524-mm (60 in.) opening and 36 teeth, high-capacity rotor takes big bites out of trees and stumps. Rotor torque is balanced to deliver superior large-material knockdown and shredding performance. Also works well below soil level, for chewing out stumps.
- Smooth rotor reduces material drag and horsepower requirements. Internal counter-combs help shatter incoming material, creating a finer mulch.
- Like all Worksite Pro™ attachments, this mulching head is optimized to work with John Deere skid steers and compact track loaders. See your local John Deere skid steer dealer for details.

	MH60
Overall Width	1880 mm (74 in.)
Maximum Cutting Width	1524 mm (60 in.)
Height	1625 mm (64 in.)
Length	1016 mm (40 in.)
Weight	1133 kg (2,497 lb.)
Recommended Flow	125–144 lpm (33–38 gpm)
Maximum Hydraulic Pressure	4,000 psi
Flow (standard or high)	High
Number of Cutting Tools	36 double-carbide tipped
Vehicle Compatibility	326D, 328D, and 332D Skid Steers; 329D and 333D Compact Track Loader

WORKSITE PRO™

This literature has been compiled for worldwide circulation. While general information, pictures, and descriptions are provided, some illustrations and text may include finance, credit, insurance, product options, and accessories NOT AVAILABLE in all regions. PLEASE CONTACT YOUR LOCAL DEALER FOR DETAILS. John Deere reserves the right to change specifications, design, and price of products described in this literature without notice.



State of West Virginia

VENDOR PREFERENCE CERTIFICATE

Certification and application* is hereby made for Preference in accordance with West Virginia Code, §5A-3-37. (Does not apply to construction contracts). West Virginia Code, §5A-3-37, provides an opportunity for qualifying vendors to request (at the time of bid) preference for their residency status. Such preference is an evaluation method only and will be applied only to the cost bid in accordance with the West Virginia Code. This certificate for application is to be used to request such preference. The Purchasing Division will make the determination of the Resident Vendor Preference, if applicable.

- 1. Application is made for 2.5% resident vendor preference for the reason checked: Bidder is an individual resident vendor and has resided continuously in West Virginia for four (4) years immediately preceding the date of this certification; or, Bidder is a partnership, association or corporation resident vendor and has maintained its headquarters or principal place of business continuously in West Virginia for four (4) years immediately preceding the date of this certification; or 80% of the ownership interest of Bidder is held by another individual, partnership, association or corporation resident vendor who has maintained its headquarters or principal place of business continuously in West Virginia for four (4) years immediately preceding the date of this certification; or, Bidder is a nonresident vendor which has an affiliate or subsidiary which employs a minimum of one hundred state residents and which has maintained its headquarters or principal place of business within West Virginia continuously for the four (4) years immediately preceding the date of this certification; or,
2. Application is made for 2.5% resident vendor preference for the reason checked: Bidder is a resident vendor who certifies that, during the life of the contract, on average at least 75% of the employees working on the project being bid are residents of West Virginia who have resided in the state continuously for the two years immediately preceding submission of this bid; or,
3. Application is made for 2.5% resident vendor preference for the reason checked: Bidder is a nonresident vendor employing a minimum of one hundred state residents or is a nonresident vendor with an affiliate or subsidiary which maintains its headquarters or principal place of business within West Virginia employing a minimum of one hundred state residents who certifies that, during the life of the contract, on average at least 75% of the employees or Bidder's affiliate's or subsidiary's employees are residents of West Virginia who have resided in the state continuously for the two years immediately preceding submission of this bid; or,
4. Application is made for 5% resident vendor preference for the reason checked: Bidder meets either the requirement of both subdivisions (1) and (2) or subdivision (1) and (3) as stated above; or,
5. Application is made for 3.5% resident vendor preference who is a veteran for the reason checked: Bidder is an individual resident vendor who is a veteran of the United States armed forces, the reserves or the National Guard and has resided in West Virginia continuously for the four years immediately preceding the date on which the bid is submitted; or,
6. Application is made for 3.5% resident vendor preference who is a veteran for the reason checked: Bidder is a resident vendor who is a veteran of the United States armed forces, the reserves or the National Guard, if, for purposes of producing or distributing the commodities or completing the project which is the subject of the vendor's bid and continuously over the entire term of the project, on average at least seventy-five percent of the vendor's employees are residents of West Virginia who have resided in the state continuously for the two immediately preceding years.

Bidder understands if the Secretary of Revenue determines that a Bidder receiving preference has failed to continue to meet requirements for such preference, the Secretary may order the Director of Purchasing to: (a) reject the bid; or (b) assess a penalty against such Bidder in an amount not to exceed 5% of the bid amount and that such penalty will be paid to the contracting agency or deducted from any unpaid balance on the contract or purchase order.

By submission of this certificate, Bidder agrees to disclose any reasonably requested information to the Purchasing Division and authorizes the Department of Revenue to disclose to the Director of Purchasing appropriate information verifying that Bidder has paid the required business taxes, provided that such information does not contain the amounts of taxes paid nor any other information deemed by the Tax Commissioner to be confidential.

Under penalty of law for false swearing (West Virginia Code, §61-5-3), Bidder hereby certifies that this certificate is true and accurate in all respects; and that if a contract is issued to Bidder and if anything contained within this certificate changes during the term of the contract, Bidder will notify the Purchasing Division in writing immediately.

Bidder: Leslie Equipment Co., Inc. Signed: [Signature] Title: General Store Manager Date: 1/20/12

*Check any combination of preference consideration(s) indicated above, which you are entitled to receive.

RFQ No. DNR212090

STATE OF WEST VIRGINIA
Purchasing Division

PURCHASING AFFIDAVIT

West Virginia Code §5A-3-10a states: No contract or renewal of any contract may be awarded by the state or any of its political subdivisions to any vendor or prospective vendor when the vendor or prospective vendor or a related party to the vendor or prospective vendor is a debtor and the debt owned is an amount greater than one thousand dollars in the aggregate

DEFINITIONS:

"Debt" means any assessment, premium, penalty, fine, tax or other amount of money owed to the state or any of its political subdivisions because of a judgment, fine, permit violation, license assessment, defaulted workers' compensation premium, penalty or other assessment presently delinquent or due and required to be paid to the state or any of its political subdivisions, including any interest or additional penalties accrued thereon.

"Debtor" means any individual, corporation, partnership, association, Limited Liability Company or any other form or business association owing a debt to the state or any of its political subdivisions. "Political subdivision" means any county commission; municipality; county board of education; any instrumentality established by a county or municipality; any separate corporation or instrumentality established by one or more counties or municipalities, as permitted by law; or any public body charged by law with the performance of a government function or whose jurisdiction is coextensive with one or more counties or municipalities. "Related party" means a party, whether an individual, corporation, partnership, association, limited liability company or any other form or business association or other entity whatsoever, related to any vendor by blood, marriage, ownership or contract through which the party has a relationship of ownership or other interest with the vendor so that the party will actually or by effect receive or control a portion of the benefit, profit or other consideration from performance of a vendor contract with the party receiving an amount that meets or exceed five percent of the total contract amount.

EXCEPTION: The prohibition of this section does not apply where a vendor has contested any tax administered pursuant to chapter eleven of this code, workers' compensation premium, permit fee or environmental fee or assessment and the matter has not become final or where the vendor has entered into a payment plan or agreement and the vendor is not in default of any of the provisions of such plan or agreement.

Under penalty of law for false swearing (West Virginia Code §61-5-3), it is hereby certified that the vendor affirms and acknowledges the information in this affidavit and is in compliance with the requirements as stated.

WITNESS THE FOLLOWING SIGNATURE

Vendor's Name: Leslie Equipment Co., Inc.

Authorized Signature: [Signature] Date: 1/26/12

State of West Virginia

County of Raleigh, to-wit:

Taken, subscribed, and sworn to before me this 26 day of Jan, 2012

My Commission expires June 23, 2013

AFFIX SEAL HERE

NOTARY PUBLIC [Signature]

