



State of West Virginia  
 Department of Administration  
 Purchasing Division  
 2019 Washington Street East  
 Post Office Box 50130  
 Charleston, WV 25305-0130

# Request for Quotation

RFQ NUMBER  
**7011EC22**

PAGE  
**1**

ADDRESS CORRESPONDENCE TO ATTENTION OF:  
**BUYER 33**  
**304-558-2402**

VENDOR

\*709051756      304-346-5301  
 WV TRACTOR COMPANY  
 PO BOX 473  
 CHARLESTON WV 25322

SHIP TO

DIVISION OF HIGHWAYS  
 EQUIPMENT DIVISION  
 ROUTE 33  
 BRUSHY FORK ROAD  
 BUCKHANNON, WV  
 26201      304-472-1750

|                              |               |                          |            |               |
|------------------------------|---------------|--------------------------|------------|---------------|
| DATE PRINTED                 | TERMS OF SALE | SHIP VIA                 | F.O.B.     | FREIGHT TERMS |
| 04/04/2011                   | Net 30 Days   | Truck                    | Buckhannon | Prepaid       |
| BID OPENING DATE: 06/01/2011 |               | BID OPENING TIME 01:30PM |            |               |

| LINE   | QUANTITY | UOP | CAT. NO. | ITEM NUMBER            | UNIT PRICE | AMOUNT |
|--|----------|-----|----------|------------------------|------------|--------|
| 0001   | 1        | EA  |          | 760-47<br>COYOTE C28-4 |            |        |
| 4 WHEEL DRIVE RUBBER TIRED ENLOADER  |          |     |          |                        |            |        |
| REQUEST FOR QUOTATION<br>(RFQ)<br>OPEN END CONTRACT  |          |     |          |                        |            |        |
| THE WEST VIRGINIA STATE PURCHASING DIVISION FOR THE AGENCY, THE WEST VIRGINIA DIVISION OF HIGHWAYS, IS SOLICITING BIDS FOR AN OPEN END CONTRACT TO PROVIDE 4 WHEEL DRIVE RUBBER TIRED ENLOADER PER THE ATTACHED SPECIFICATIONS.  |          |     |          |                        |            |        |
| TECHNICAL QUESTIONS CONCERNING THIS SOLICITATION WILL BE RECEIVED THROUGH THE CLOSE OF THE MANDATORY PRE-BID MEETING. TECHNICAL QUESTIONS MUST BE SUBMITTED IN WRITING TO SHERI SLONE WEST VIRGINIA STATE PURCHASING DIVISION. VENDORS MAY SUBMIT QUESTIONS PRIOR TO THE MANDATORY PRE-BID VIA MAIL AT THE ADDRESS LISTED IN THE BODY OF THIS RFQ, VIA FAX AT 305-558-4115, OR VIA EMAIL AT SHERI.D.SLONE@WV.GOV. WRITTEN QUESTIONS WILL ALSO BE ACCEPTED DURING THE MANDATORY PRE-BID. DEADLINE FOR ALL TECHNICAL QUESTIONS IS THE CLOSE OF THE PRE-BID MEETING. NO ADDITIONAL QUESTIONS WILL BE ACCEPTED AFTER THE PRE-BID MEETING. ANY TECHNICAL QUESTIONS RECEIVED WILL BE ANSWERED BY FORMAL ADDENDUM TO BE ISSUED BY THE PURCHASING DIVISION AFTER THE MANDATORY PRE-BID MEETING. FOR YOUR CONVENIENCE A WORD DOCUMENT HAS BEEN ATTACHED FOR SUBMITTING TECHNICAL QUESTIONS. |          |     |          |                        |            |        |



|   |           |                                   |  |
|---|-----------|-----------------------------------|--|
| SEE REVERSE SIDE FOR TERMS AND CONDITIONS |           |                                   |  |
| SIGNATURE                                 | TELEPHONE | DATE                              |  |
| <i>Gary W. Grady</i>                      | 346-5301  | 5/31/2011                         |  |
| TITLE                                     | FEIN      | ADDRESS CHANGES TO BE NOTED ABOVE |  |
| President                                 | 550621655 |                                   |  |

WHEN RESPONDING TO RFQ, INSERT NAME AND ADDRESS IN SPACE ABOVE LABELED 'VENDOR'

## GENERAL TERMS & CONDITIONS REQUEST FOR QUOTATION (RFQ) AND REQUEST FOR PROPOSAL (RFP)

1. Awards will be made in the best interest of the State of West Virginia.
  2. The State may accept or reject in part, or in whole, any bid.
  3. Prior to any award, the apparent successful vendor must be properly registered with the Purchasing Division and have paid the required \$125 fee.
  4. All services performed or goods delivered under State Purchase Order/Contracts are to be continued for the term of the Purchase Order/Contracts, contingent upon funds being appropriated by the Legislature or otherwise being made available. In the event funds are not appropriated or otherwise available for these services or goods this Purchase Order/Contract becomes void and of no effect after June 30.
  5. Payment may only be made after the delivery and acceptance of goods or services.
  6. Interest may be paid for late payment in accordance with the *West Virginia Code*.
  7. Vendor preference will be granted upon written request in accordance with the *West Virginia Code*.
  8. The State of West Virginia is exempt from federal and state taxes and will not pay or reimburse such taxes.
  9. The Director of Purchasing may cancel any Purchase Order/Contract upon 30 days written notice to the seller.
  10. The laws of the State of West Virginia and the *Legislative Rules* of the Purchasing Division shall govern the purchasing process.
  11. Any reference to automatic renewal is hereby deleted. The Contract may be renewed only upon mutual written agreement of the parties.
  12. **BANKRUPTCY:** In the event the vendor/contractor files for bankruptcy protection, the State may deem this contract null and void, and terminate such contract without further order.
  13. **HIPAA BUSINESS ASSOCIATE ADDENDUM:** The West Virginia State Government HIPAA Business Associate Addendum (BAA), approved by the Attorney General, is available online at [www.state.wv.us/admin/purchase/vrc/hipaa.htm](http://www.state.wv.us/admin/purchase/vrc/hipaa.htm) and is hereby made part of the agreement. Provided that the Agency meets the definition of a Cover Entity (45 CFR §160.103) and will be disclosing Protected Health Information (45 CFR §160.103) to the vendor.
  14. **CONFIDENTIALITY:** The vendor agrees that he or she will not disclose to anyone, directly or indirectly, any such personally identifiable information or other confidential information gained from the agency, unless the individual who is the subject of the information consents to the disclosure in writing or the disclosure is made pursuant to the agency's policies, procedures, and rules. Vendor further agrees to comply with the Confidentiality Policies and Information Security Accountability Requirements, set forth in <http://www.state.wv.us/admin/purchase/privacy/noticeConfidentiality.pdf>.
  15. **LICENSING:** Vendors must be licensed and in good standing in accordance with any and all state and local laws and requirements by any state or local agency of West Virginia, including, but not limited to, the West Virginia Secretary of State's Office, the West Virginia Tax Department, and the West Virginia Insurance Commission. The vendor must provide all necessary releases to obtain information to enable the director or spending unit to verify that the vendor is licensed and in good standing with the above entities.
  16. **ANTITRUST:** In submitting a bid to any agency for the State of West Virginia, the bidder offers and agrees that if the bid is accepted the bidder will convey, sell, assign or transfer to the State of West Virginia all rights, title and interest in and to all causes of action it may now or hereafter acquire under the antitrust laws of the United States and the State of West Virginia for price fixing and/or unreasonable restraints of trade relating to the particular commodities or services purchased or acquired by the State of West Virginia. Such assignment shall be made and become effective at the time the purchasing agency tenders the initial payment to the bidder.
- I certify that this bid is made without prior understanding, agreement, or connection with any corporation, firm, limited liability company, partnership, or person or entity submitting a bid for the same material, supplies, equipment or services and is in all respects fair and without collusion or fraud. I further certify that I am authorized to sign the certification on behalf of the bidder or this bid.

### INSTRUCTIONS TO BIDDERS

1. Use the quotation forms provided by the Purchasing Division. Complete all sections of the quotation form.
2. Items offered must be in compliance with the specifications. Any deviation from the specifications must be clearly indicated by the bidder. Alternates offered by the bidder as **EQUAL** to the specifications must be clearly defined. A bidder offering an alternate should attach complete specifications and literature to the bid. The Purchasing Division may waive minor deviations to specifications.
3. Unit prices shall prevail in case of discrepancy. All quotations are considered F.O.B. destination unless alternate shipping terms are clearly identified in the quotation.
4. All quotations must be delivered by the bidder to the office listed below prior to the date and time of the bid opening. Failure of the bidder to deliver the quotations on time will result in bid disqualifications: Department of Administration, Purchasing Division, 2019 Washington Street East, P.O. Box 50130, Charleston, WV 25305-0130
5. Communication during the solicitation, bid, evaluation or award periods, except through the Purchasing Division, is strictly prohibited (W.Va. C.S.R. §148-1-6.6).



State of West Virginia  
 Department of Administration  
 Purchasing Division  
 2019 Washington Street East  
 Post Office Box 50130  
 Charleston, WV 25305-0130

# Request for Quotation

|            |
|------------|
| RFQ NUMBER |
| 7011EC22   |

|      |
|------|
| PAGE |
| 2    |

|  |
|--|
| ADDRESS CORRESPONDENCE TO ATTENTION OF |
| BUYER 33<br>304-558-2402               |

|        |                     |              |
|--------|---------------------|--------------|
| VENDOR | *709051756          | 304-346-5301 |
|        | WV TRACTOR COMPANY  |              |
|        | PO BOX 473          |              |
|        | CHARLESTON WV 25322 |              |

|         |                      |
|---------|----------------------|
| SHIP TO | DIVISION OF HIGHWAYS |
|         | EQUIPMENT DIVISION   |
|         | ROUTE 33             |
|         | BRUSHY FORK ROAD     |
|         | BUCKHANNON, WV 26201 |
|         | 304-472-1750         |

|              |               |          |       |               |
|--------------|---------------|----------|-------|---------------|
| DATE PRINTED | TERMS OF SALE | SHIP VIA | F.O.B | FREIGHT TERMS |
| 04/04/2011   |               |          |       |               |

BID OPENING DATE: **06/01/2011** BID OPENING TIME **01:30PM**

| LINE  | QUANTITY | UOP | CAT NO. | ITEM NUMBER | UNIT PRICE | AMOUNT |
|---|----------|-----|---------|-------------|------------|--------|
| MANDATORY PRE-BID   |          |     |         |             |            |        |
| <p>A MANDATORY PRE-BID WILL BE HELD ON TUESDAY 05/17/2011 AT 11 AM, BRUSHY FORK RD IN BUCKHANNON, WV 26201. ALL INTERESTED PARTIES ARE REQUIRED TO ATTEND THIS MEETING. FAILURE TO ATTEND THE MANDATORY PRE-BID SHALL RESULT IN DISQUALIFICATION OF THE BID. NO ONE PERSON MAY REPRESENT MORE THAN ONE BIDDER.</p> <p>AN ATTENDANCE SHEET WILL BE MADE AVAILABLE FOR ALL POTENTIAL BIDDERS TO COMPLETE. THIS WILL SERVE AS THE OFFICIAL DOCUMENT VERIFYING ATTENDANCE AT THE MANDATORY PRE-BID. FAILURE TO PROVIDE YOUR COMPANY AND REPRESENTATIVE NAME ON THE ATTENDANCE SHEET WILL RESULT IN DISQUALIFICATION OF THE BID. THE STATE WILL NOT ACCEPT ANY OTHER DOCUMENTATION TO VERIFY ATTENDANCE. THE BIDDER IS RESPONSIBLE FOR ENSURING THEY HAVE COMPLETED THE INFORMATION REQUIRED ON THE ATTENDANCE SHEET. THE PURCHASING DIVISION AND THE STATE AGENCY WILL NOT ASSUME ANY RESPONSIBILITY FOR A BIDDER-S FAILURE TO COMPLETE THE PRE-BID ATTENDANCE SHEET. IN ADDITION, WE REQUEST THAT ALL POTENTIAL BIDDERS INCLUDE THEIR E-MAIL ADDRESS AND FAX NUMBER.</p> <p>ALL POTENTIAL BIDDERS ARE REQUESTED TO ARRIVE PRIOR TO THE STARTING TIME FOR THE PRE-BID. BIDDERS WHO ARRIVE LATE, BUT PRIOR TO THE DISMISSAL OF THE TECHNICAL PORTION OF THE PRE-BID WILL BE PERMITTED TO SIGN IN. BIDDERS WHO ARRIVE AFTER CONCLUSION OF THE TECHNICAL PORTION OF THE PRE-BID, BUT DURING ANY SUBSEQUENT PART OF THE PRE-BID WILL NOT BE PERMITTED TO SIGN THE ATTENDANCE SHEET.</p> <p>EXHIBIT 10</p> |          |     |         |             |            |        |

SEE REVERSE SIDE FOR TERMS AND CONDITIONS

|           |           |                                   |
|-----------|-----------|-----------------------------------|
| SIGNATURE | TELEPHONE | DATE                              |
| TITLE     | FEIN      | ADDRESS CHANGES TO BE NOTED ABOVE |

WHEN RESPONDING TO RFQ, INSERT NAME AND ADDRESS IN SPACE ABOVE LABELED 'VENDOR'





State of West Virginia  
 Department of Administration  
 Purchasing Division  
 2019 Washington Street East  
 Post Office Box 50130  
 Charleston, WV 25305-0130

# Request for Quotation

|            |
|------------|
| RFQ NUMBER |
| 7011EC22   |

|      |
|------|
| PAGE |
| 3    |

|  |
|--|
| ADDRESS CORRESPONDENCE TO ATTENTION OF |
| BUYER 33<br>304-558-2402               |

VENDOR


\*709051756      304-346-5301  
 WV TRACTOR COMPANY  
 PO BOX 473  
  
 CHARLESTON WV 25322

SHIP TO

DIVISION OF HIGHWAYS  
 EQUIPMENT DIVISION  
 ROUTE 33  
 BRUSHY FORK ROAD  
 BUCKHANNON, WV  
 26201      304-472-1750

|              |               |          |        |               |
|--------------|---------------|----------|--------|---------------|
| DATE PRINTED | TERMS OF SALE | SHIP VIA | F.O.B. | FREIGHT TERMS |
| 04/04/2011   |               |          |        |               |

BID OPENING DATE: 06/01/2011      BID OPENING TIME 01:30PM

| LINE | QUANTITY | UOP | CAT NO. | ITEM NUMBER  | UNIT PRICE | AMOUNT |
|------|----------|-----|---------|--|------------|--------|
|      |          |     |         |  | 7011EC22   |        |
|      |          |     |         | REQUISITION NO.:   | .....      |        |
|      |          |     |         | ADDENDUM ACKNOWLEDGEMENT   |            |        |
|      |          |     |         | I HEREBY ACKNOWLEDGE RECEIPT OF THE FOLLOWING CHECKED ADDENDUM(S) AND HAVE MADE THE NECESSARY REVISIONS TO MY PROPOSAL, PLANS AND/OR SPECIFICATION, ETC.   |            |        |
|      |          |     |         | ADDENDUM NO.'S:  |            |        |
|      |          |     |         | NO. 1 ..X.....   |            |        |
|      |          |     |         | NO. 2 ..X.....   |            |        |
|      |          |     |         | NO. 3 ..X.....   |            |        |
|      |          |     |         | NO. 4 ..X.....   |            |        |
|      |          |     |         | NO. 5 ..X.....   |            |        |
|      |          |     |         | I UNDERSTAND THAT FAILURE TO CONFIRM THE RECEIPT OF THE ADDENDUM(S) MAY BE CAUSE FOR REJECTION OF BIDS.  |            |        |
|      |          |     |         | VENDOR MUST CLEARLY UNDERSTAND THAT ANY VERBAL REPRESENTATION MADE OR ASSUMED TO BE MADE DURING ANY ORAL DISCUSSION HELD BETWEEN VENDOR'S REPRESENTATIVES AND ANY STATE PERSONNEL IS NOT BINDING. ONLY THE INFORMATION ISSUED IN WRITING AND ADDED TO THE SPECIFICATIONS BY AN OFFICIAL ADDENDUM IS BINDING. |            |        |
|      |          |     |         | <br>SIGNATURE<br>West Virginia Tractor Company<br>.....  |            |        |

|   |           |                                   |
|---|-----------|-----------------------------------|
| SEE REVERSE SIDE FOR TERMS AND CONDITIONS |           |                                   |
| SIGNATURE                                 | TELEPHONE | DATE                              |
| TITLE                                     | FEIN      | ADDRESS CHANGES TO BE NOTED ABOVE |

WHEN RESPONDING TO RFQ, INSERT NAME AND ADDRESS IN SPACE ABOVE LABELED 'VENDOR'





State of West Virginia  
 Department of Administration  
 Purchasing Division  
 2019 Washington Street East  
 Post Office Box 50130  
 Charleston, WV 25305-0130

# Request for Quotation

|            |
|------------|
| RFQ NUMBER |
| 7011EC22   |

|      |
|------|
| PAGE |
| 4    |

|  |
|--|
| ADDRESS CORRESPONDENCE TO ATTENTION OF |
| BUYER 33<br>304-558-2402               |

|                            |                     |              |
|----------------------------|---------------------|--------------|
| V<br>E<br>N<br>D<br>O<br>R | *709051756          | 304-346-5301 |
|                            | WV TRACTOR COMPANY  |              |
|                            | PO BOX 473          |              |
|                            | CHARLESTON WV 25322 |              |

|                            |                         |              |
|----------------------------|-------------------------|--------------|
| S<br>H<br>I<br>P<br>T<br>O | DIVISION OF HIGHWAYS    |              |
|                            | EQUIPMENT DIVISION      |              |
|                            | ROUTE 33                |              |
|                            | BRUSHY FORK ROAD        |              |
|                            | BUCKHANNON, WV<br>26201 | 304-472-1750 |

| DATE PRINTED                 | TERMS OF SALE | SHIP VIA                 | F.O.B. | FREIGHT TERMS |
|------------------------------|---------------|--------------------------|--------|---------------|
| 04/04/2011                   |               |                          |        |               |
| BID OPENING DATE: 06/01/2011 |               | BID OPENING TIME 01:30PM |        |               |

| LINE  | QUANTITY | UOP | CAT NO | ITEM NUMBER | UNIT PRICE | AMOUNT |
|---|----------|-----|--------|-------------|------------|--------|
|   |          |     |        | COMPANY     |            |        |
|   |          |     |        | .....       | 5/31/2011  |        |
|   |          |     |        | DATE        |            |        |
| NOTE: THIS ADDENDUM ACKNOWLEDGEMENT SHOULD BE SUBMITTED WITH THE BID.   |          |     |        |             |            |        |
| REV. 09/21/2009   |          |     |        |             |            |        |
| EXHIBIT 2   |          |     |        |             |            |        |
| LIFE OF CONTRACT: THIS CONTRACT BECOMES EFFECTIVE UPON AWARD AND EXTENDS FOR A PERIOD OF ONE (1) YEAR OR UNTIL SUCH "REASONABLE TIME" THEREAFTER AS IS NECESSARY TO OBTAIN A NEW CONTRACT OR RENEW THE ORIGINAL CONTRACT. THE "REASONABLE TIME" PERIOD SHALL NOT EXCEED TWELVE (12) MONTHS. DURING THIS "REASONABLE TIME" THE VENDOR MAY TERMINATE THIS CONTRACT FOR ANY REASON UPON GIVING THE DIRECTOR OF PURCHASING THIRTY (30) DAYS WRITTEN NOTICE. |          |     |        |             |            |        |
| UNLESS SPECIFIC PROVISIONS ARE STIPULATED IN THIS CONTRACT DOCUMENT, THE TERMS, CONDITIONS, AND PRICING SET HEREIN ARE FIRM FOR THE LIFE OF THE CONTRACT.   |          |     |        |             |            |        |
| RENEWAL: THIS CONTRACT MAY BE RENEWED UPON THE MUTUAL WRITTEN CONSENT OF THE SPENDING UNIT AND VENDOR, SUBMITTED TO THE DIRECTOR OF PURCHASING THIRTY (30) DAYS PRIOR TO THE EXPIRATION DATE. SUCH RENEWAL SHALL BE IN ACCORDANCE WITH THE TERMS AND CONDITIONS OF THE ORIGINAL CONTRACT AND SHALL BE LIMITED TO TWO (2) ONE (1) YEAR PERIODS.  |          |     |        |             |            |        |

SEE REVERSE SIDE FOR TERMS AND CONDITIONS

|           |           |                                   |
|-----------|-----------|-----------------------------------|
| SIGNATURE | TELEPHONE | DATE                              |
| TITLE     | FEIN      | ADDRESS CHANGES TO BE NOTED ABOVE |

WHEN RESPONDING TO RFQ, INSERT NAME AND ADDRESS IN SPACE ABOVE LABELED 'VENDOR'



State of West Virginia  
 Department of Administration  
 Purchasing Division  
 2019 Washington Street East  
 Post Office Box 50130  
 Charleston, WV 25305-0130

# Request for Quotation

|            |
|------------|
| RFQ NUMBER |
| 7011EC22   |

|      |
|------|
| PAGE |
| 5    |

|   |
|---|
| ADDRESS CORRESPONDENCE TO ATTENTION OF: |
| BUYER 33<br>304-558-2402                |

VENDOR

\*709051756      304-346-5301  
 WV TRACTOR COMPANY  
 PO BOX 473  
  
 CHARLESTON WV 25322

SHIP TO

DIVISION OF HIGHWAYS  
 EQUIPMENT DIVISION  
 ROUTE 33  
 BRUSHY FORK ROAD  
 BUCKHANNON, WV  
 26201      304-472-1750

|              |               |          |        |               |
|--------------|---------------|----------|--------|---------------|
| DATE PRINTED | TERMS OF SALE | SHIP VIA | F.O.B. | FREIGHT TERMS |
| 04/04/2011   |               |          |        |               |

BID OPENING DATE: 06/01/2011      BID OPENING TIME 01:30PM

| LINE  | QUANTITY | UOP | CAT NO | ITEM NUMBER | UNIT PRICE | AMOUNT |
|---|----------|-----|--------|-------------|------------|--------|
| <p>CANCELLATION: THE DIRECTOR OF PURCHASING RESERVES THE RIGHT TO CANCEL THIS CONTRACT IMMEDIATELY UPON WRITTEN NOTICE TO THE VENDOR IF THE COMMODITIES AND/OR SERVICES SUPPLIED ARE OF AN INFERIOR QUALITY OR DO NOT CONFORM WITH THE SPECIFICATIONS OF THE BID AND CONTRACT HEREIN.</p> <p>OPEN MARKET CLAUSE: THE DIRECTOR OF PURCHASING MAY AUTHORIZE A SPENDING UNIT TO PURCHASE ON THE OPEN MARKET, WITHOUT THE FILING OF A REQUISITION OR COST ESTIMATE, ITEMS SPECIFIED ON THIS CONTRACT FOR IMMEDIATE DELIVERY IN EMERGENCIES DUE TO UNFORESEEN CAUSES (INCLUDING BUT NOT LIMITED TO DELAYS IN TRANSPORTATION OR AN UNANTICIPATED INCREASE IN THE VOLUME OF WORK).</p> <p>QUANTITIES: QUANTITIES LISTED IN THE REQUISITION ARE APPROXIMATIONS ONLY, BASED ON ESTIMATES SUPPLIES BY THE STATE SPENDING UNIT. IT IS UNDERSTOOD AND AGREED THAT THE CONTRACT SHALL COVER THE QUANTITIES ACTUALLY ORDERED FOR DELIVERY DURING THE TERM OF CONTRACT, WHETHER MORE OR LESS THAN THE QUANTITIES SHOWN.</p> <p>ORDERING PROCEDURE: SPENDING UNIT(S) SHALL ISSUE A WRITTEN EQUIPMENT CONTRACT ORDER (FORM NUMBER WV-35) FOR COMMODITIES COVERED BY THIS CONTRACT. THE ORIGINAL WV-35 MUST BE SENT TO THE PURCHASING DIVISION OF THE DEPARTMENT OF ADMINISTRATION. AFTER APPROVAL AND ENCUMBRANCE, ONE COPY OF THE PURCHASE ORDER WILL BE RETURNED TO THE SPENDING UNIT AND ONE COPY FORWARDED TO THE VENDOR AS AUTHORIZATION FOR SHIPMENT. NO ORDER IS VALID UNLESS APPROVED AND ENCUMBERED BY THE PURCHASING DIVISION.</p> <p>BANKRUPTCY: IN THE EVENT THE VENDOR/CONTRACTOR FILES FOR BANKRUPTCY PROTECTION, THE STATE MAY DEEM THE CONTRACT NULL AND VOID, AND TERMINATE SUCH CONTRACT WITHOUT FUTHER ORDER.</p> |          |     |        |             |            |        |

SEE REVERSE SIDE FOR TERMS AND CONDITIONS

|           |           |      |
|-----------|-----------|------|
| SIGNATURE | TELEPHONE | DATE |
|-----------|-----------|------|

|       |      |                                   |
|-------|------|-----------------------------------|
| TITLE | FEIN | ADDRESS CHANGES TO BE NOTED ABOVE |
|-------|------|-----------------------------------|

WHEN RESPONDING TO RFQ, INSERT NAME AND ADDRESS IN SPACE ABOVE LABELED 'VENDOR'







WEST VIRGINIA DEPARTMENT OF TRANSPORTATION  
DIVISION OF HIGHWAYS  
EQUIPMENT DIVISION

BIDDER'S EVALUATION REPORT

PROCUREMENT SPECIFICATIONS FOR OPEN END CONTRACT  
NO. 353-1-U

4 WHEEL DRIVE, RUBBER TIRED, ENDLOADER

NOTE TO BIDDER: Procurement Specification No. 353-1-S, Paragraph 2.0 recommends the completion and submittal of this Report with your bid. Purpose of this Report is to enable the West Virginia Division of Highways Evaluation Committee to make full and fair evaluation of the bid. Addendums in order, along with a summary of exception as a separate attachment, should be with Bidder's Evaluation Report. FAILURE TO SUBMIT THIS REPORT, COMPLETE IN ITS ENTIRETY, MAY SUBJECT THE BIDDER TO DISQUALIFICATION.

Reference Requisition No.: 7011EC22

Bidder's Name: West Virginia Tractor Company

Address: P.O. Box 473 Charleston, WV 25322

Telephone Number: 346-5301

Years Bidder has been registered to do business with the State of West Virginia: 29 YRS.

Years Company has been an authorized dealer for proposed unit: -1 YRS.

X3.2 Have you complied with all mandatory specifications?  YES  NO

X4.2 DELIVERY:

X4.2.1 Delivery date of completed representative unit: 100 Calendar Days After  
Receipt of Purchase Agreement

X4.2.2 Delivery date of balance of completed units: 120-185 Calendar Days After Receipt of  
Purchase Agreement

X5.0 AWARD CRITERIA;

X5.1 Price per unit: \$109,990.00  
\_\_\_\_\_ per unit

X6.0 SPECIFICATIONS - GENERAL

X6.1 Manufacturer, model, series, and date of manufacture of proposed unit:

\_\_\_ Coyote C28-4 2011 and later as ordered \_\_\_\_\_  
Is descriptive literature, fully describing proposed unit attached to your bid?  YES \_\_\_\_\_ NO

If not, why? \_\_\_\_\_

X6.2 Will the required number of service manuals, and complete parts list be delivered to the Equipment Division at Buckhannon upon completion of delivery of total units?  
\_\_\_\_\_  YES \_\_\_\_\_ NO

Will the required Equipment Preventive Maintenance Form (Section X6.2 of Bidders Evaluation Report) be provided upon inspection of the pilot unit?  
\_\_\_\_\_  YES \_\_\_\_\_ NO



X6.2  
2-10-00

### EQUIPMENT PREVENTATIVE MAINTENANCE QUESTIONNAIRE

THIS FORM MUST BE COMPLETED IN ITS ENTIRETY BY SUCCESSFUL BIDDER OR MANUFACTURER'S TECHNICAL REPRESENTATIVE PRIOR TO DELIVERY OF PILOT MODEL TO THE WVDOH.

DESCRIPTION: \_\_\_\_\_ MAKE: \_\_\_\_\_

MODEL: \_\_\_\_\_ YEAR: \_\_\_\_\_ PURCHASE AMOUNT: \_\_\_\_\_

ENGINE: MAKE: \_\_\_\_\_ MODEL: \_\_\_\_\_ FUEL TYPE: \_\_\_\_\_

HORSEPOWER: \_\_\_\_\_ CYLINDER: \_\_\_\_\_ ENGINE SERIAL: \_\_\_\_\_

COOLING SYSTEM CAPACITY: \_\_\_\_\_

BELTS: DESCRIPTION: \_\_\_\_\_ PART NUMBERS: \_\_\_\_\_

\_\_\_\_\_  
\_\_\_\_\_

GVW: \_\_\_\_\_ AXLE CAPACITY: FRONT: \_\_\_\_\_ REAR: \_\_\_\_\_

TIRES: FRONT MAKE & SIZE: \_\_\_\_\_

REAR MAKE & SIZE: \_\_\_\_\_

DIMENSIONS OF UNIT: LENGTH: \_\_\_\_\_ WIDTH: \_\_\_\_\_ LENGTH: \_\_\_\_\_

VENDOR CONTACT PERSON: \_\_\_\_\_ PHONE: \_\_\_\_\_

#### PARTS:

BATTERY MAKE: \_\_\_\_\_ MODEL: \_\_\_\_\_ CCA: \_\_\_\_\_

TOP OR SIDE POST: \_\_\_\_\_ DIMENSIONS: LENGTH \_\_\_\_\_ WIDTH \_\_\_\_\_ HEIGHT \_\_\_\_\_

SPARK PLUGS OR FUEL INJECTORS MAKE: \_\_\_\_\_ PART #: \_\_\_\_\_

FUEL PUMP OR INJECTION PUMP MAKE: \_\_\_\_\_ MODEL: \_\_\_\_\_

ALTERNATOR MAKE: \_\_\_\_\_ PART #: \_\_\_\_\_

STARTER MAKE: \_\_\_\_\_ PART #: \_\_\_\_\_

TURBO CHARGER MAKE: \_\_\_\_\_ PART #: \_\_\_\_\_

TRANS. MAKE: \_\_\_\_\_ MODEL: \_\_\_\_\_ AUTO/MANUAL: \_\_\_\_\_

HYDRAULIC PUMP MAKE: \_\_\_\_\_ MODEL: \_\_\_\_\_

| FILTERS | MAKE | PART NO. | LUBRICANT | MANUFACTURER TYPE |
|---------|------|----------|-----------|-------------------|
|---------|------|----------|-----------|-------------------|

|     |       |       |        |       |
|-----|-------|-------|--------|-------|
| OIL | _____ | _____ | ENGINE | _____ |
|-----|-------|-------|--------|-------|

|           |       |       |              |       |
|-----------|-------|-------|--------------|-------|
| AIR INNER | _____ | _____ | TRANSMISSION | _____ |
|-----------|-------|-------|--------------|-------|

|           |       |       |                |       |
|-----------|-------|-------|----------------|-------|
| AIR OUTER | _____ | _____ | POWER STEERING | _____ |
|-----------|-------|-------|----------------|-------|

|              |       |       |           |       |
|--------------|-------|-------|-----------|-------|
| FUEL PRIMARY | _____ | _____ | HYDRAULIC | _____ |
|--------------|-------|-------|-----------|-------|

|                |       |       |               |       |
|----------------|-------|-------|---------------|-------|
| FUEL SECONDARY | _____ | _____ | DIFFERENTIALS | _____ |
|----------------|-------|-------|---------------|-------|

|         |       |       |             |       |
|---------|-------|-------|-------------|-------|
| COOLANT | _____ | _____ | BRAKE FLUID | _____ |
|---------|-------|-------|-------------|-------|

|           |       |       |         |       |
|-----------|-------|-------|---------|-------|
| HYDRAULIC | _____ | _____ | COOLANT | _____ |
|-----------|-------|-------|---------|-------|

|       |       |       |       |       |
|-------|-------|-------|-------|-------|
| OTHER | _____ | _____ | OTHER | _____ |
|-------|-------|-------|-------|-------|

X6.3 TRAINING:

Will training seminar be conducted on Preventive Maintenance, Operator and Mechanic Training  
 YES  NO

**Will you conduct training with each purchase order against this open end contract?**  
 YES  NO

Will training be conducted within 2 working days from the delivery of the pilot unit on the individual purchase order?  
 YES  NO

If NO, explain time frame \_\_\_\_\_

**Will an Operator's Manual be furnished directly to Training Academy prior to the delivery of the pilot?**  
 YES  NO

**X6.4 If you are the successful vendor, will you furnish all training aids, i.e., videos, projectors, required in conducting the training?**  
 YES  NO

**X6.4.1 Will all manuals, booklets, etc. explaining preventive maintenance, operator procedures, and service schedule be delivered with each unit?**  
 YES  NO  
If NO, explain \_\_\_\_\_

X6.5 WARRANTY AND SERVICE POLICY

Will the warranty and service you provide comply with all areas as stated in Section 6.5 of specifications  
 YES  NO

Is warranty literature attached?  YES  NO

**Is a minimum two (2) year bumper to bumper basic parts and labor warranty excluding abuse and normal wear items included?**  
 YES  NO

Describe:

\_\_\_\_\_ Two years bumper to bumper parts and labor \_\_\_\_\_

**X6.5 WARRANTY AND SERVICE POLICY QUESTIONNAIRE**

**THIS FORM MUST BE COMPLETED IN ITS ENTIRETY AND SUBMITTED WITH YOUR BID.**

(If additional lines are needed, make copies of form.)

1. Define the terms of the standard warranty. If not offered, so state. (Attach copy)

Standard warranty extended to two years bumper to bumper parts and labor

---

---

2. Define warranty service to be performed at DOH facilities and warranty service to be performed at manufacturer's representative facility. List name and location of manufacturer's representative.

Work under warranty to be performed at West Virginia Tractor Company in Charleston, WV

---

---

3. List locations for parts inventories that are within the State of West Virginia. Also, list availability levels, if known.

Coyote parts to be supplied by West Virginia Tractor Company in Charleston, WV

---

---

4. During the term of warranty, list the guarantee discount to manufacturer's published list price for parts that bidder will sell the parts to owner.

- A. Terms: Net 30      Manufacturer's published list price less: \_\_\_\_ - \_\_\_\_ % discount
- B. Terms: Net 60      Manufacturer's published list price less: \_\_\_\_ - \_\_\_\_ % discount
- C. Terms: Net 90      Manufacturer's published list price less: \_\_\_\_ - \_\_\_\_ % discount

5. During the term of warranty, will all manufacturers or engineering improvements be submitted to Division of Highways?       YES       NO

6. During the term of warranty, list the guaranteed rates charged for repair to the unit.

A. Shop Rate      \$ 75.00 per mechanic hour

B. Travel Time Charge      \$ 75.00 per mechanic hour  
(Specify if one-way)      \_\_\_\_\_; port to port

C. Mileage Charge      \$ 2.00 per vehicle mile  
(Specify if one-way)      \_\_\_\_\_; port to port

D. Field Mechanic Rate      \$ 75.00 per mechanic hour

E. Specify period of time that prices are in effect: During warranty

F. Surcharge for miscellaneous items: Holidays and overtime 150%



**X6.6 EVALUATION COMMITTEE REQUIREMENTS**

Is all component specifications, product literature, component models provided for Evaluation Committee bid determination?  YES  NO

**X6.7 Will all parts, equipment, accessories, material, design and performance characteristics not specified herein, but which are necessary to provide a complete unit, be furnished with the unit and conform in strength, quality of material, and quality of workmanship to those which are advertised and provided to the market in general by the unit industry?**  
 YES  NO

**X6.7.1 Are all parts and accessories adequate and regularly supplied as standard to be included except those which may be duplications of specifications herein, and except these by specification are not to be furnished?**  
 YES  NO

**X6.7.2 Are all standard safety features that are required by Federal and State statutes of law included?**  
 YES  NO

**X7.0 SPECIFICATIONS OF THE QUOTED UNIT**

The bidder should complete the following schedule in order for the Division to compare the actual bid unit to the specifications. Should the bidder except a requirement, then such exception may be only on the basis that such feature is not offered by the manufacturer. The Division will have the sole discretion as to whether the bidder's substitution meets the requirements of the specifications.

Manufacturer: Coyote Model: C28-4

**X8.0 Endloader Specification:**

**X8.1 Operating weight:** 18,298 pounds (exclusive of tire ballast)

**X8.1.1 Breakout force:** 18,518 pounds

**X8.2 Overall length (bucket lowered):** 19'9" foot

**X8.3 Does loader have articulated frame and full hydraulic power steering?**  
 YES  NO

**X8.3.1 Tipping load straight:** 14,925 pounds

**X8.4 Overall height:** 9'3" to top of cab

- X8.4.1 Dumping clearance at maximum height and 45° dump angle: 108.6 inches**
- X8.5 Are units provided with a quick coupler system for interchangeability of attachments, controlled from operator station   x   YES        NO**
- X8.6 Do machine(s) have vandalism package/keyed alike?   x   YES        NO**
- X8.7 Are daily services done from ground level?   x   YES        NO**
- X8.8 Engine:**
- X8.8.1 Engine power rating of 104 HP and is Tier 3 compliant with appropriate hardware   x   YES        NO**
- X8.8.2 Is unit equipped with manufacturer's standard governor with key shut off, wire sealed by Manufacturer?   x   YES        NO**
- X8.8.3 Engine equipped with an engine block water heating element (1500-2000 watt)?   x   YES        NO**
- Does engine have cold weather starting system consisting of an electric intake manifold pre-heater   x   YES        NO**
- X8.9 Engine Lubrication:**
- X8.9.1 Has full pressure lubrication with oil filter and oil by-pass system?   x   YES        NO**
- X8.9.2 Is engine equipped with oil cooler?   x   YES        NO**
- X8.10 Cooling System:**
- X8.10.1 Is cooling system of manufacturers maximum to allow full capability of operation for all seasons?   x   YES        NO**
- X8.10.2 Cooling system supplied with Dex-Cool or equal extended life anti freeze to -34°F?   x   YES        NO**
- X8.10.3 Is coolant filter provided if recommended manufacturer for this application?   x   YES        NO**
- X8.11 Air Induction System:**
- X8.11.1 Is dry type (2 stage) dual element air cleaner with pre-cleaner provided?   x   YES        NO**
- X8.11.2 Does unit have dash mounted air filter restriction indicator that is visible when service is required ?   x   YES        NO**

X8.12 Exhaust System:

X8.12.1 Is complete exhaust system manufacturers standard for unit specified?  YES  NO

X8.12.2 Is exhaust pipe rain proof?  YES  NO

X8.13 Electrical System:

X8.13.1 Is unit provided with manufacturers noise suppression wiring?  YES  NO

X8.13.2 Is system 12 volts/24 volts negative ground  YES  NO

X8.13.3 Are heavy duty CCA battery(s) provided?  YES  NO

CCA 900 reserve capacity 160

X8.14 Charging System:

X8.14.1 Alternator AMPS: 60 with internal regulator?  YES  NO

X8.15 Engine Fuel System:

X8.15.1 Is fuel capacity at least 12 working hours  YES  NO

X8.15.2 Is unit provided with a fuel/water separator?  YES  NO

X8.15.3 Is dual stage fuel filtering provided?  YES  NO

X8.16 Transmission:

X8.16.1 Is transmission fully hydrostatic with one (1) engine driven pump and two (2) drive motors (hi/low speed) with dynamic breaking inching pedals and a control panel for speed control  YES  NO

X8.16.2 Number of forward speeds 4 Number of reverse speeds 4?

forward ground speed: 24.2 MPH

X8.16.3 Is neutral start switch provided for safety purposes?  YES  NO



X8.17 Differential:

X8.17.1 Is front and rear differential manufacturers conventional type?  YES  NO

X8.18 Axles:

X8.18.1 Is front axle fixed?  YES  NO

X8.18.2 Oscillation of rear axle: 25 degrees total – 12.5 each way

X8.19 Brakes:

X8.19.1 Is Manufacturers recommended emergency braking system provided?  YES  NO

X8.19.2 Is emergency brake independent of service brake?  YES  NO

X8.19.3 Are service brakes powered assisted hydraulic actuated?  YES  NO

X8.19.4 Are service brakes wet disk type?  YES  NO

X8.20 Hydraulic System:

X8.20.1 Does unit provide hydraulic lift, lower, dump, roll back and float  YES  NO

Does unit have third spool auxiliary valve and cab controller  YES  NO

X8.20.2 Are hydraulic cylinders double action chrome plated piston type?  YES  NO

X8.20.3 Is hydraulic oil cooler provided if recommended by manufacturer?  YES  NO

X8.20.4 Is sight glass provided for daily service checks?  YES  NO

X8.20.5 Hydraulic system relief pressure: 3200 P.S.I.

X8.20.6 Is Manufacturers standard hydraulic filtering system provided?  YES  NO

X8.21 Tires and Wheels:

X8.21.1 Are wheels manufacturers recommended size for unit bid?  YES  NO

Specify size 12 X 25

X8.21.2 Are tires grader/loader type tubeless radials front and rear?  YES  NO

Specify size: 15.5X25

X8.21.3 Overall tire width (outside left to outside right): 7 feet 2 inches

X8.22 Cab and related accessories:

X8.22.1 Is cab OSHA approved ROPS?  YES  NO

X8.22.2 Is cab insulated and pressurized?  YES  NO

X8.22.3 Is cab equipped with heater, defroster, air conditioning installed by the manufacturer?  YES  NO

X8.22.4 Is cab equipped with wipers and washers front and rear?  YES  NO

X8.22.5 Is Manufacturers tinted safety glass at all locations?  YES  NO

X8.22.6 Are left and right rear view mirrors and in cab rear view mirror provided?  YES  NO

X8.22.7 Does cab have one (1) lockable entry door?  YES  NO

X8.22.8 Are doors hinged at rear to provide front to back opening  YES  NO

X8.22.9 Is unit provided with non-skid steps and hand holds  YES  NO

X8.22.10 Is seat cloth type with scotchguard or equal and with adjustable seat belt  YES  NO

X8.22.11 Is seat equipped with adjustable arm rests?  YES  NO

X8.22.12 Does seat provide height and weight adjustments?  YES  NO

X8.22.13 Is unit equipped with adjustable tilt and telescoping steering wheel for easier operator control? Tilt but not telescopic  YES  NO

X8.22.14 Are fenders provided front and rear?  YES  NO

X8.22.15 Is fire extinguisher provided and mounted on unit?  YES  NO

X8.22.16 Is AM/FM radio provided and installed in unit?  YES  NO

X8.23 Lighting System:

X8.23.1 Is unit equipped with two (2) hi/low halogen beam front lights for tramming and working?  YES  NO

X8.23.2 Does unit have four (4) work lights; two (2) front/two (2) rear cab mounted work lights  YES  NO

X8.23.3 Does unit have flash/turn signals (front and rear), stoplights, and taillights?  YES  NO

**X8.23.4 Does unit have console and dome lighting?**  YES  NO

X8.23.5 Does unit have Class 1 LED beacon, amber  YES  NO

If NO, explain \_\_\_\_\_  
\_\_\_\_\_

**X8.23.6 Is unit equipped with audible OSHA approved reverse alarm?**  YES  NO

X8.23.7 Is articulation locking bar and pin provided?  YES  NO

X8.24 Unit Instrumentation:

X8.24.1 Tachometer?  YES  NO

X8.24.2 Speedometer?  YES  NO

**X8.24.3 Does hour meter operate from engine operation?**  YES  NO

X8.24.4 Fuel gauge?  YES  NO

X8.24.5 Ammeter/ or volt meter?  YES  NO

X8.24.6 Does coolant temperature indicator have audible buzzer or visual warning light?  YES  NO

X8.24.7 Does engine oil pressure indicator have audible buzzer or visual warning light?  YES  NO

X8.24.8 Does unit have transmission oil temperature indicator?  YES  NO

X8.24.9 Does unit have transmission oil pressure indicator?  YES  NO

**X8.24.10 All features considered to be standard equipment not addressed above:**  
\_\_\_\_\_  
\_\_\_\_\_

X8.24.11 Will unit be delivered to WV DOH with manufacturer's safety decals and features intact?  YES  NO

X8.24.12 Is one (1) complete set of replacement filters for each unit provided?  YES  NO

X8.25 Bucket:

X8.25.1 General purpose bucket capacity: 1.75 Cu Yd. struck  
bolt-on cutting edge  YES  NO Heaped capacity: 2.1 Cu Yd

X8.25.2 Bucket width: 92 inches

X8.25.3 Bucket roll back 45 degrees at ground level and dump at full height  
45 degrees

X8.25.4 Does unit have automatic return to work leveler for bucket and attachments  
 YES  NO

X8.25.5 Are replaceable cutting edge and bottom wear strips provided  YES  NO

X8.25.6 Is cutting edge welded to bucket and bolt on replaceable cutting edge mounted.  
under it?  YES  NO

X8.25.7 Digging depth below horizontal (bucket level): 3.1 inches

X8.26 Forks:

X8.26.1 Are forks heavy duty steel construction?  YES  NO

X8.26.2 Is carriage of heavy duty steel construction?  YES  NO

X8.26.3 Carriage size: 3/4 inch side plates and 60 inches wide?

X8.26.4 Tines/Forks: 6 inches wide and 48 inches long

X8.26.5 Tines/Forks: 2 inches thick at heel and forged solid steel  
 YES  NO

X8.26.6 Tines/Forks mounted on 2.5 inches diameter round bar

Adjustable laterally 60 inches

X8.27 Material Handling Boom:

X8.27.1 Is material handling boom of heavy duty construction with hook?  
 YES  NO

X8.27.2 Boom has 3 locking sections Boom reach: 12 feet

X8.28 Paint:

X8.28.1 Is endloader painted manufacturers standard color?  
 YES  NO

X8.29 Does proposed unit meet or exceed the "OSHA of 1970" and/or subsequent changes?  
 YES  NO

X8.30 Does unit conform to the advertising guidelines?  
 YES  NO

X8.31 Preventive Maintenance and Operators Orientation/Training:

X8.31.1 Have you attached a copy of proposed training program. Attach schedule describing course offered with a brief explanation of each subject with the time required for each class. Do not attach instruction material or manuals. Will you furnish all training aids; i.e. videos, projectors, etc., required in conducting the training?  
 YES  NO

One day of operator and maintenance training at Buckhannon conducted by factory and West Virginia Tractor personnel. Class size should be limited to no more than 15-20 people, and multiple training days may be required. The training shall be a combination of classroom and outside training.



ADDENDUM #3  
 (ADDENDUM FROM PREBID MEETING)  
 7011EC22

4 WHEEL DRIVE RUBBER TIRED ENDLOADER

CHANGES TO BIDDER'S EVALUATION REPORT:

CHANGE BID OPENING FROM ADDENDUM #1:  
 NO CHANGE REQUIRED TO BIDDER'S EVALUATION REPORT

X6.1 NO CHANGE REQUIRED TO BIDDER'S EVALUATION

NO CHANGE REQUIRED

X8.1.1 Breakout force: 18,518 pounds

NO CHANGE REQUIRED

X8.2 Overall length (bucket lowered): 19'9" foot

NO CHANGE REQUIRED

X8.3.1 Tipping load straight: 14,925 pounds

**FROM:**

X8.8.1 Engine power rating of    HP and is Tier 3 compliant with appropriate hardware Y\_N

**TO:**

X8.8.1 Engine power rating of 104 HP

**NO CHANGE REQUIRED:**

X8.8.3 Engine equipped with an engine block water heating element (1500-2000 watt)?  
 YES  NO

Does engine have cold weather starting system consisting of an electric intake manifold pre-heater?  
 YES  NO

**FROM:**

X8.16.2 Number of forward speeds\_ Number of reverse speeds\_  
 Forward ground speed: \_HP

**TO:**

X8.16.2 Does transmission have high/low  YES  NO

forward and reverse  YES  NO Ground speed 24.2 MPH

**NO CHANGE REQUIRED:**

X8.21.1 Are wheels manufacturers recommended size for unit bid?  YES  NO

Specify size: 12 X 25

**NO CHANGE REQUIRED:**

X8.22.13 Is unit equipped with adjustable tilt and telescoping steering wheel for easier operator control? Tilt but not telescopic  YES  NO

**NO CHANGE REQUIRED:**

X8.24.1 Tachometer?  YES  NO

FROM:

X8.24.8 Does unit have transmission oil temperature indicator?\_YES\_N

TO:

X8.24.8 Transmission oil and/or hydraulic oil temperature indicator or hydraulic filter bypass indicator \_\_\_\_\_ YES x NO

DELETE:

X8.24.9 Does unit have transmission oil pressure indicator?\_Y\_N

NO CHANGE REQUIRED:

X8.25.1 General purpose bucket capacity: 1.75 Cu Yd

Bolt on cutting edge x YES \_\_\_\_\_ NO Heaped capacity: 2.1 Cu Yd

ADDENDUM #5  
7011EC22

4 WHEEL DRIVE RUBBER TIRED ENDLOADER

NO CHANGE REQUIRED TO BIDDER'S

EVALUATION

CHANGES TO BIDDERS EVALUATION REPORT:  
FROM ADDENDUM #3 - NO CHANGE REQUIRED:

X8.3.1 Tipping load straight: 14,925 pounds

FROM ADDENDUM #3:

X8.8.3 Engine equipped with an engine block water heating element (1500-2000 watt)?  
\_ YES \_ NO

Does engine have cold weather starting system consisting of an electric intake manifold pre-heater? \_ YES \_ NO

TO:

X8.8.3 Engine equipped with an engine block water heating element  
 x  YES   NO

Does engine have cold weather starting system consisting of an electric intake manifold pre-heater  
 x  YES   NO

FROM ADDENDUM #3:

X8.16.2 Does transmission have high/low \_ YES \_ NO forward and reverse \_ YES \_ NO  
Ground speed \_ MPH

TO:

X8.16.2 Does transmission have high/low  x  YES   NO

Forward and reverse  x  YES   NO

FROM ADDENDUM #3:

X8.25.1      **General purpose bucket capacity: \_CU YD Bolt on cutting edge \_YES\_NO**  
**Heaped capacity: \_Cu Yd**

TO:

X8.25.1      **General purpose bucket capacity**  $\frac{1.75}{2.10}$  **struck**  
**cubic yard**  
**heaped**





State of West Virginia  
 Department of Administration  
 Purchasing Division  
 2019 Washington Street East  
 Post Office Box 50130  
 Charleston, WV 25305-0130

# Request for Quotation

|            |
|------------|
| RFQ NUMBER |
| 7011EC22   |

|      |
|------|
| PAGE |
| 1    |

|   |
|---|
| ADDRESS CORRESPONDENCE TO ATTENTION OF: |
| BUYER 33<br>304-558-2402                |

VENDOR

\*709051756      304-346-5301  
 WV TRACTOR COMPANY  
 PO BOX 473  
 CHARLESTON WV 25322

SHIP TO

DIVISION OF HIGHWAYS  
 EQUIPMENT DIVISION  
 ROUTE 33  
 BRUSHY FORK ROAD  
 BUCKHANNON, WV  
 26201      304-472-1750

| DATE PRINTED                 | TERMS OF SALE | SHIP VIA                  | F.O.B.     | FREIGHT TERMS |
|------------------------------|---------------|---------------------------|------------|---------------|
| 06/01/2011                   | Net 30 Days   | Truck                     | Buckhannon | Prepaid       |
| BID OPENING DATE: 06/15/2011 |               | BID OPENING TIME: 01:30PM |            |               |

| LINE   | QUANTITY | UOP | CAT. NO. | ITEM NUMBER                         | UNIT PRICE | AMOUNT |
|--|----------|-----|----------|-------------------------------------|------------|--------|
|  |          |     |          | ADDENDUM NO. 1                      |            |        |
|  |          |     |          | BID OPENING DATE AND TIME CHANGED   |            |        |
|  |          |     |          | FROM: 06/01/11 @1:30 P.M.           |            |        |
|  |          |     |          | TO: 06/15/11 @1:30 P.M.             |            |        |
|  |          |     |          | NO OTHER CHANGES                    |            |        |
| 0001   | 1        | EA  |          | 760-47                              |            |        |
|  |          |     |          | 4 WHEEL DRIVE RUBBER TIRED ENLOADER |            |        |
| ***** THIS IS THE END OF RFQ 7011EC22 ***** TOTAL: |          |     |          |                                     |            |        |

SEE REVERSE SIDE FOR TERMS AND CONDITIONS

|           |                   |           |           |                                   |          |
|-----------|-------------------|-----------|-----------|-----------------------------------|----------|
| SIGNATURE | <i>Paula Gray</i> | TELEPHONE | 346-5301  | DATE                              | 6-9-2011 |
| TITLE     | Pres              | FEIN      | 590621655 | ADDRESS CHANGES TO BE NOTED ABOVE |          |

WHEN RESPONDING TO RFQ, INSERT NAME AND ADDRESS IN SPACE ABOVE LABELED 'VENDOR'



State of West Virginia  
 Department of Administration  
 Purchasing Division  
 2019 Washington Street East  
 Post Office Box 50130  
 Charleston, WV 25305-0130

# Request for Quotation

|            |
|------------|
| RFQ NUMBER |
| 7011EC22   |

|      |
|------|
| PAGE |
| 1    |

|   |
|---|
| ADDRESS CORRESPONDENCE TO ATTENTION OF: |
| BUYER 33                                |
| 804-558-2402                            |

VENDOR

\*709051756                      304-346-5301  
 WV TRACTOR COMPANY  
 PO BOX 473  
  
 CHARLESTON WV 25322

SHIP TO

DIVISION OF HIGHWAYS  
 EQUIPMENT DIVISION  
 ROUTE 33  
 BRUSHY FORK ROAD  
 BUCKHANNON, WV  
 26201                              304-472-1750

| DATE PRINTED | TERMS OF SALE | SHIP VIA | F.O.B.     | FREIGHT TERMS |
|--------------|---------------|----------|------------|---------------|
| 06/13/2011   | Net 30 Days   | Truck    | Buckhannon | Prepaid       |

BID OPENING DATE: 06/29/2011                              BID OPENING TIME 01:30PM

| LINE   | QUANTITY | UOP | CAT. NO. | ITEM NUMBER | UNIT PRICE | AMOUNT |
|--|----------|-----|----------|-------------|------------|--------|
| ADDENDUM NO. 2   |          |     |          |             |            |        |
| BID OPENING DATE AND TIME CHANGED                        |          |     |          |             |            |        |
| FROM: 06/15/2011 @1:30 P.M.                              |          |     |          |             |            |        |
| TO: 06/29/2011 @1:30 P.M.                                |          |     |          |             |            |        |
| NO OTHER CHANGES   |          |     |          |             |            |        |
| 0001   | 1        | EA  |          | 760-47      |            |        |
| 4 WHEEL DRIVE RUBBER TIRED ENLOADER                      |          |     |          |             |            |        |
| ***** THIS IS THE END OF RFQ 7011EC22 ***** TOTAL: _____ |          |     |          |             |            |        |

SEE REVERSE SIDE FOR TERMS AND CONDITIONS

|                                      |                       |                                   |
|--------------------------------------|-----------------------|-----------------------------------|
| SIGNATURE<br><i>Gayle W. Prosser</i> | TELEPHONE<br>346-5301 | DATE<br>6/21/2011                 |
| TITLE<br>President                   | FEIN<br>550621655     | ADDRESS CHANGES TO BE NOTED ABOVE |

WHEN RESPONDING TO RFQ, INSERT NAME AND ADDRESS IN SPACE ABOVE LABELED 'VENDOR'



State of West Virginia  
 Department of Administration  
 Purchasing Division  
 2019 Washington Street East  
 Post Office Box 50130  
 Charleston, WV 25305-0130

# Request for Quotation

|            |
|------------|
| RFQ NUMBER |
| 7011EC22   |

|      |
|------|
| PAGE |
| 1    |

|   |
|---|
| ADDRESS CORRESPONDENCE TO ATTENTION OF: |
| BUYER 33                                |
| 304-558-2402                            |

|  |
|--|
| VENDOR                                       |
| *709051756                      304-346-5301 |
| WV TRACTOR COMPANY                           |
| PO BOX 473                                   |
| CHARLESTON WV 25322                          |

|   |
|---|
| SHIP TO   |
| DIVISION OF HIGHWAYS                                    |
| EQUIPMENT DIVISION                                      |
| ROUTE 33  |
| BRUSHY FORK ROAD  |
| BUCKHANNON, WV  |
| 26201                                      304-472-1750 |

|              |               |          |            |               |
|--------------|---------------|----------|------------|---------------|
| DATE PRINTED | TERMS OF SALE | SHIP VIA | F.O.B.     | FREIGHT TERMS |
| 06/14/2011   | Net 30 Days   | Truck    | Buckhannon | Prepaid       |

BID OPENING DATE: 06/29/2011                                      BID OPENING TIME 01:30PM

| LINE | QUANTITY | UOP | CAT NO. | ITEM NUMBER   | UNIT PRICE | AMOUNT |
|------|----------|-----|---------|---|------------|--------|
|      |          |     |         | ADDENDUM NO. 3  |            |        |
|      |          |     |         | CHANGES TO THE SPECIFICATIONS ATTACHED.               |            |        |
|      |          |     |         | BID OPENING DATE AND TIME REMAINS 06/29/11 @1:30 P.M. |            |        |
|      |          |     |         | NO OTHER CHANGES.                                     |            |        |
| 0001 | 1        | EA  |         | 760-47  |            |        |
|      |          |     |         | 4 WHEEL DRIVE RUBBER TIERED ENLOADER                  |            |        |
|      |          |     |         | ***** THIS IS THE END OF RFQ 7011EC22 ***** TOTAL:    |            |        |

SEE REVERSE SIDE FOR TERMS AND CONDITIONS

|                      |           |           |
|----------------------|-----------|-----------|
| SIGNATURE            | TELEPHONE | DATE      |
| <i>Gayle W. Gray</i> | 346-5301  | 6/21/2011 |

|           |           |                                   |
|-----------|-----------|-----------------------------------|
| TITLE     | FEIN      | ADDRESS CHANGES TO BE NOTED ABOVE |
| President | 550621655 |                                   |

WHEN RESPONDING TO RFQ, INSERT NAME AND ADDRESS IN SPACE ABOVE LABELED 'VENDOR'



State of West Virginia  
 Department of Administration  
 Purchasing Division  
 2019 Washington Street East  
 Post Office Box 50130  
 Charleston, WV 25305-0130

# Request for Quotation

RFQ NUMBER  
**7011EC22**

PAGE  
**1**

ADDRESS CORRESPONDENCE TO ATTENTION OF  
**BUYER 33**  
**304-558-2402**

VENDOR

\*709051756      304-346-5301  
 WV TRACTOR COMPANY  
 PO BOX 473  
  
 CHARLESTON WV 25322

SHIP TO

DIVISION OF HIGHWAYS  
 EQUIPMENT DIVISION  
 ROUTE 33  
 BRUSHY FORK ROAD  
 BUCKHANNON, WV  
 26201      304-472-1750

|                                     |                                     |                                 |                             |                                 |
|-------------------------------------|-------------------------------------|---------------------------------|-----------------------------|---------------------------------|
| DATE PRINTED<br><b>06/23/2011</b>   | TERMS OF SALE<br><b>Net 30 Days</b> | SHIP VIA<br><b>Truck</b>        | F.O.B.<br><b>Buckhannon</b> | FREIGHT TERMS<br><b>Prepaid</b> |
| BID OPENING DATE: <b>07/13/2011</b> |                                     | BID OPENING TIME <b>01:30PM</b> |                             |                                 |

| LINE   | QUANTITY | UOP | CAT. NO. | ITEM NUMBER | UNIT PRICE | AMOUNT |
|--|----------|-----|----------|-------------|------------|--------|
| ADDENDUM NO. 4                                     |          |     |          |             |            |        |
| BID OPENING DATE AND TIME CHANGED                  |          |     |          |             |            |        |
| FROM: 06/29/11 @ 1:30 P.M.                         |          |     |          |             |            |        |
| TO: 07/13/11 @ 1:30 P.M.                           |          |     |          |             |            |        |
| 0001   | 1        | EA  |          | 760-47      |            |        |
| 4 WHEEL DRIVE RUBBER TIRED ENLOADER                |          |     |          |             |            |        |
| ***** THIS IS THE END OF RFQ 7011EC22 ***** TOTAL: |          |     |          |             |            |        |

SEE REVERSE SIDE FOR TERMS AND CONDITIONS

|                                |                       |                                   |
|--------------------------------|-----------------------|-----------------------------------|
| SIGNATURE<br><i>Gayle Gray</i> | TELEPHONE<br>346-5301 | DATE<br>6/29/2011                 |
| TITLE<br>President             | FEIN<br>550621655     | ADDRESS CHANGES TO BE NOTED ABOVE |

WHEN RESPONDING TO RFQ, INSERT NAME AND ADDRESS IN SPACE ABOVE LABELED 'VENDOR'



State of West Virginia  
 Department of Administration  
 Purchasing Division  
 2019 Washington Street East  
 Post Office Box 50130  
 Charleston, WV 25305-0130

WV PURCHASING DIVN.

Fax 304-558-3970

Jul 12 2011 01:06pm P001/005

**Request for  
 Quotation**

RFQ NUMBER  
 7011EC22

PAGE  
 1

ADDRESS CORRESPONDENCE TO ATTENTION OF  
 BUYER 33  
 304-558-2402

**VENDOR**  
 \*709051756 304-346-5301  
 WV TRACTOR COMPANY  
 PO BOX 473  
 CHARLESTON WV 25322

**SHIP TO**  
 DIVISION OF HIGHWAYS  
 EQUIPMENT DIVISION  
 ROUTE 33  
 BRUSHY FORK ROAD  
 BUCKHANNON, WV  
 26201 304-472-1750

| DATE PRINTED | TERMS OF SALE | SHIP VIA | FOB        | FREIGHT TERMS |
|--------------|---------------|----------|------------|---------------|
| 07/12/2011   | Net 30 Days   | Truck    | Buckhannon | Prepaid       |

BID OPENING DATE: 07/27/2011 BID OPENING TIME: 01:30PM

| LINE | QUANTITY | UOP | CAT NO | ITEM NUMBER  | UNIT PRICE | AMOUNT |
|------|----------|-----|--------|--|------------|--------|
|      |          |     |        | ADDENDUM #5  |            |        |
|      |          |     |        | CHANGES TO THE SPECIFICATIONS PER THE ATTACHED.    |            |        |
|      |          |     |        | BID OPENING DATE AND TIME CHANGED                  |            |        |
|      |          |     |        | FROM: 07/13/11 @1:30 P.M.                          |            |        |
|      |          |     |        | TO: 07/27/11 @1:30 P.M.                            |            |        |
|      |          |     |        | NO OTHER CHANGES                                   |            |        |
| 0001 | 1        | EA  |        | 760-47   |            |        |
|      |          |     |        | 4 WHEEL DRIVE RUBBER Tired ENLOADER                |            |        |
|      |          |     |        | ***** THIS IS THE END OF RFQ 7011EC22 ***** TOTAL: |            |        |

SEE REVERSE SIDE FOR TERMS AND CONDITIONS

SIGNATURE: *Garye Gray* TELEPHONE: 346-5301 DATE: 7-13-2011  
 TITLE: President FEIN: 550621655 ADDRESS CHANGES TO BE NOTED ABOVE

WHEN RESPONDING TO RFQ, INSERT NAME AND ADDRESS IN SPACE ABOVE LABELED 'VENDOR'



# WEST VIRGINIA TRACTOR COMPANY

CONSTRUCTION, MINING, MUNICIPAL & INDUSTRIAL EQUIPMENT

P.O. BOX 473, 214 VIRGINIA ST. W., CHARLESTON, WEST VIRGINIA 25322/25302 • (304) 346-5301

## WEST VIRGINIA TRACTOR COMPANY

### 7011EC22 4 Wheel Drive Rubber Tired End Loader Exceptions to Specifications

- 8.2 The overall length with the bucket lowered is 19'9", which should be a plus since you are looking for smaller loaders with shorter turn radius.
- 8.20.5 The hydraulic system relief pressure is 3,200 PSI.
- 8.21.3 Overall tire width is 7'2"
- 8.22.13 The steering wheel tilts but does not telescope.
- 8.24.1 There is not a tachometer.
- 8.24.8 There is not a transmission oil temp indicator, but it does have a heat exchanger with hydraulic fan.
- 8.24.9 There is not a transmission oil pressure indicator.
- 8.25.1 The bucket heaped capacity is 2.1 cu. yd.
- 8.25.2 The bucket width is 92".





# Building a better world around you

- Big in lifting power**
- Versatile hydraulic quick change attachments**
- Power transfer differentials**
- Easy to operate - hydrostatic drive**
- Reliable / Durable**
- Service and maintenance ease**
- Operator friendly cab environment**
- Low operating cost**
- Customer support**

- **Perkins diesel engine output 104 hp**
- **Bucket capacity .....up to 2.6 cu. yd.**
- **Operating weight .....18,298 lbs.**

# C28-4 WHEEL LOADER

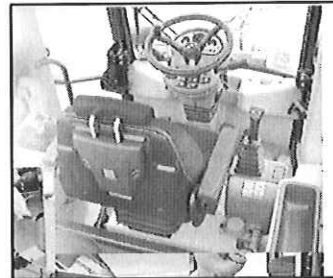
Hydrostatic Drive



Easy Serviceability



Comfortable Cabin



Sales • Service • Parts

Distributed by:

When Your Business Depends  
On The Right Choice,  
The Right Choice is "Coyote!"

# COYOTE C28-4

**C28-4 Hydrostatic Wheel Loader: Powerful • Silent • Economical**

## ■ Engine

Make: Perkins diesel, water cooled  
 Type: 1104D-E44T  
 Output: 104 hp  
 # of cylinders: 4  
 Capacity: 4400 cc  
 Dry-type air cleaner with electric display.

## ■ Undercarriage

Rear axle oscillation,  $\pm 12.5^\circ$  both directions  
 Axles with planetary reduction gears in wheel hubs.  
 Self locking differentials

## ■ Electrical System

Operating Voltage: 12 V  
 Battery: 1 x 12 V, 100 Ah  
 Alternator: 600 W  
 Starter: 12 V

## ■ Operating Data (Bucket)

Standard Bucket Capacity: from 2.0 cu yd  
 Bucket Width: 7 ft 8 in  
 Breakout Force: 18,518 lbs.  
 Service Weight: 18,298 lbs.

## ■ Transmission

Hydrostatic drive with automotive-type variable speed control.  
 Automatic torque output variation to meet operating demands.  
 Work speed range: 0 – 8.6 mph.  
 Travel speed range: 0 – 24.2 mph.  
 4 forward / reverse speeds

## ■ Tires

Low pressure tires 15.5 x 25 radial

## ■ Loading Equipment

Kinematics for high breakout force, fast dumping, parallel action, automatic bucket return to dig position.  
 Bucket position indicator.  
 Single lever for easy control.  
 Float position. 3<sup>rd</sup> control circuit.

## ■ Operating Data (Fork)

Tipping load : 14,925 lbs.  
 Lifting capacity 6173 lbs.

## ■ Brakes

1. Wear-free service brake operated by inching pedal, acting on all four wheels.
2. Multi-disc brake running in oil bath  
 With independent circuits

## ■ Steering

Center point frame articulation  
 Front and rear wheels follow the same track.  
 Load sensing hydraulic system.  
 Steering angle 40° to either side.

## ■ Hydraulic System

Gear type pump for loading and steering hydraulics, two lifting cylinders and one tilting cylinder.  
 Operating pressure: 3,200 psi.

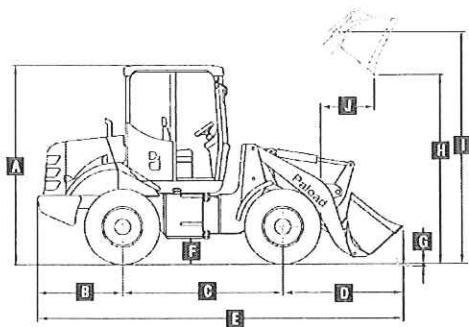
## ■ Standard Equipment

Rapid changeover system, hydraulic. ROPS cab.  
 Access to cab from both sides.  
 Front windshield wipers and rear wiper with limit positions.  
 Rear-view mirrors on both sides.  
 Deluxe driver's seat with safety belt.  
 Engine heating with heat exchanger and 2 speed fan, controllable heat output.  
 Recirculated air / fresh air.  
 Windscreen ventilation.  
 3<sup>rd</sup> control circuit  
 Reversing lights  
 Tinted windows.

## ■ Optional Equipment

Pallet fork  
 General purpose buckets  
 Additional attachments available.

\* Specifications subject to change without notice



|   |       |
|---|-------|
| A | 9'3"  |
| B | 4'3"  |
| C | 8'6"  |
| D | 6'7"  |
| E | 19'9" |
| F | 1'2"  |
| G | 3"    |
| H | 9'1"  |
| I | 11'6" |
| J | 2'7"  |



### NEW EQUIPMENT WARRANTY

Coyote warrants to the original buyer (owner) that each new machine will be free from defects in material and workmanship for 12 months, or 1000 hours, after delivery to the owner.

During the warranty period, Coyote shall repair or replace, at his option, without charge for parts, any part of the Coyote product which fails because of defects in material and workmanship. The owner shall provide Coyote with prompt notice of the defect and allow reasonable time for replacement or repair. Coyote may, at its option, request failed parts to be returned for determination of cause of failure. Travel time of mechanics and transportation of the Coyote product to Coyote or an authorized dealer for warranty work are the responsibility of the owner.

The warranty does not apply to tires, electrical parts, or other trade accessories not manufactured by Coyote's factory. The owner shall rely solely on the existing warranty, if any, of the respective manufacturers thereof. Warranty does not cover replacement of scheduled service items such as oil, filters, tune-up parts and other high-wear items. The warranty does not cover glass breakage. The warranty does not cover damages resulting from abuse, accidents, alterations, air-flow obstructions or failure to maintain or use the Coyote product according to the instructions applicable to it.

THIS WARRANTY IS IN LIEU OF ALL OTHER WARRANTIES (EXCEPT THOSE OF TITLE), EXPRESSED OR IMPLIED, AND THERE ARE NO WARRANTIES OF MERCHANTABILITY OR FITNESS FOR A PARTICULAR PURPOSE. IN NO EVENT SHALL THE AUTHORIZED SELLING DEALER, OR COYOTE, BE LIABLE FOR DOWN TIME EXPENSES, LOSS OF MACHINE USE OR OTHER INCIDENTAL, CONSEQUENTIAL OR SPECIAL DAMAGES.

### LIMITATION OF LIABILITY

COYOTE liability for a claim of any kind, including negligence, for any loss or damage arising out of, or relating to, or resulting from the manufacture, sale, delivery, resale, repair, or use of a new Coyote product in no case shall exceed the price of the new Coyote product or part thereof which gives rise to the claim. In no event shall Coyote be liable for any special or consequential damages.

Our liabilities under this warranty exclude consequential damages and our warranty is automatically withdrawn if any unauthorized alteration or modification is affected to the machinery or if the fault arises from the use of non-genuine replacement spares or repairs which in any way affect its reliability and performance or by failure to observe the instructions contained in the manual.

Web: [www.coyoteloaders.com](http://www.coyoteloaders.com) — e-mail: [info@coyoteloaders.com](mailto:info@coyoteloaders.com)

Standard warranty extended to two years bumper to bumper parts and labor

6721 Chittenden Road, Hudson, Ohio 44236

Phone (330) 650-5101

Fax: (330) 650-5105

# State of West Virginia VENDOR PREFERENCE CERTIFICATE

Certification and application\* is hereby made for Preference in accordance with *West Virginia Code*, §5A-3-37. (Does not apply to construction contracts). *West Virginia Code*, §5A-3-37, provides an opportunity for qualifying vendors to request (at the time of bid) preference for their residency status. Such preference is an evaluation method only and will be applied only to the cost bid in accordance with the *West Virginia Code*. This certificate for application is to be used to request such preference. The Purchasing Division will make the determination of the Resident Vendor Preference, if applicable.

1. **Application is made for 2.5% resident vendor preference for the reason checked:**  
 Bidder is an individual resident vendor and has resided continuously in West Virginia for four (4) years immediately preceding the date of this certification; **or**,  
 Bidder is a partnership, association or corporation resident vendor and has maintained its headquarters or principal place of business continuously in West Virginia for four (4) years immediately preceding the date of this certification; or 80% of the ownership interest of Bidder is held by another individual, partnership, association or corporation resident vendor who has maintained its headquarters or principal place of business continuously in West Virginia for four (4) years immediately preceding the date of this certification; **or**,  
 Bidder is a nonresident vendor which has an affiliate or subsidiary which employs a minimum of one hundred state residents and which has maintained its headquarters or principal place of business within West Virginia continuously for the four (4) years immediately preceding the date of this certification; **or**,

2. **Application is made for 2.5% resident vendor preference for the reason checked:**  
 Bidder is a resident vendor who certifies that, during the life of the contract, on average at least 75% of the employees working on the project being bid are residents of West Virginia who have resided in the state continuously for the two years immediately preceding submission of this bid; **or**,

3. **Application is made for 2.5% resident vendor preference for the reason checked:**  
 Bidder is a nonresident vendor employing a minimum of one hundred state residents or is a nonresident vendor with an affiliate or subsidiary which maintains its headquarters or principal place of business within West Virginia employing a minimum of one hundred state residents who certifies that, during the life of the contract, on average at least 75% of the employees or Bidder's affiliate's or subsidiary's employees are residents of West Virginia who have resided in the state continuously for the two years immediately preceding submission of this bid; **or**,

4. **Application is made for 5% resident vendor preference for the reason checked:**  
 Bidder meets either the requirement of both subdivisions (1) and (2) or subdivision (1) and (3) as stated above; **or**,

5. **Application is made for 3.5% resident vendor preference who is a veteran for the reason checked:**  
 Bidder is an individual resident vendor who is a veteran of the United States armed forces, the reserves or the National Guard and has resided in West Virginia continuously for the four years immediately preceding the date on which the bid is submitted; **or**,

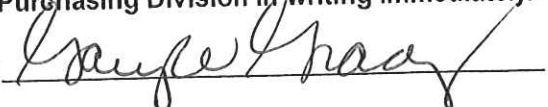
6. **Application is made for 3.5% resident vendor preference who is a veteran for the reason checked:**  
 Bidder is a resident vendor who is a veteran of the United States armed forces, the reserves or the National Guard, if, for purposes of producing or distributing the commodities or completing the project which is the subject of the vendor's bid and continuously over the entire term of the project, on average at least seventy-five percent of the vendor's employees are residents of West Virginia who have resided in the state continuously for the two immediately preceding years.

Bidder understands if the Secretary of Revenue determines that a Bidder receiving preference has failed to continue to meet the requirements for such preference, the Secretary may order the Director of Purchasing to: (a) reject the bid; or (b) assess a penalty against such Bidder in an amount not to exceed 5% of the bid amount and that such penalty will be paid to the contracting agency or deducted from any unpaid balance on the contract or purchase order.

By submission of this certificate, Bidder agrees to disclose any reasonably requested information to the Purchasing Division and authorizes the Department of Revenue to disclose to the Director of Purchasing appropriate information verifying that Bidder has paid the required business taxes, provided that such information does not contain the amounts of taxes paid nor any other information deemed by the Tax Commissioner to be confidential.

Under penalty of law for false swearing (*West Virginia Code*, §61-5-3), Bidder hereby certifies that this certificate is true and accurate in all respects; and that if a contract is issued to Bidder and if anything contained within this certificate changes during the term of the contract, Bidder will notify the Purchasing Division in writing immediately.

Bidder: West Virginia Tractor Company  
Date: 5/31/2011

Signed:   
Title: President

\*Check any combination of preference consideration(s) indicated above, which you are entitled to receive.

7011EC22

RFQ No. \_\_\_\_\_

STATE OF WEST VIRGINIA  
Purchasing Division

**PURCHASING AFFIDAVIT**

West Virginia Code §5A-3-10a states: No contract or renewal of any contract may be awarded by the state or any of its political subdivisions to any vendor or prospective vendor when the vendor or prospective vendor or a related party to the vendor or prospective vendor is a debtor and the debt owed is an amount greater than one thousand dollars in the aggregate.

**DEFINITIONS:**

"Debt" means any assessment, premium, penalty, fine, tax or other amount of money owed to the state or any of its political subdivisions because of a judgment, fine, permit violation, license assessment, defaulted workers' compensation premium, penalty or other assessment presently delinquent or due and required to be paid to the state or any of its political subdivisions, including any interest or additional penalties accrued thereon.

"Debtor" means any individual, corporation, partnership, association, limited liability company or any other form or business association owing a debt to the state or any of its political subdivisions. "Political subdivision" means any county commission; municipality; county board of education; any instrumentality established by a county or municipality; any separate corporation or instrumentality established by one or more counties or municipalities, as permitted by law; or any public body charged by law with the performance of a government function or whose jurisdiction is coextensive with one or more counties or municipalities. "Related party" means a party, whether an individual, corporation, partnership, association, limited liability company or any other form or business association or other entity whatsoever, related to any vendor by blood, marriage, ownership or contract through which the party has a relationship of ownership or other interest with the vendor so that the party will actually or by effect receive or control a portion of the benefit, profit or other consideration from performance of a vendor contract with the party receiving an amount that meets or exceed five percent of the total contract amount.

**EXCEPTION:** The prohibition of this section does not apply where a vendor has contested any tax administered pursuant to chapter eleven of this code, workers' compensation premium, permit fee or environmental fee or assessment and the matter has not become final or where the vendor has entered into a payment plan or agreement and the vendor is not in default of any of the provisions of such plan or agreement.

Under penalty of law for false swearing (*West Virginia Code* §61-5-3), it is hereby certified that the vendor affirms and acknowledges the information in this affidavit and is in compliance with the requirements as stated.

**WITNESS THE FOLLOWING SIGNATURE**

Vendor's Name: West Virginia Tractor Company

Authorized Signature: *Gayle W. Grady* Date: 5/31/2011

State of West Virginia

County of Kanawha, to-wit:

Taken, subscribed, and sworn to before me this 31 day of May, 2011.

My Commission expires August 12, 2012.

**AFFIX SEAL HERE**

**NOTARY PUBLIC** *Steven B. Basham*

