



State of West Virginia
 Department of Administration
 Purchasing Division
 2019 Washington Street East
 Post Office Box 50130
 Charleston, WV 25305-0130

Request for Quotation

RFQ NUMBER
EBA309

PAGE
1

ADDRESS CORRESPONDENCE TO ATTENTION OF
SHELLY MURRAY 304-558-8801

PURCHASER

RFQ COPY
 TYPE NAME/ADDRESS HERE
 CEI Sales, LLC
 8500 Cinder Bed Rd., Suite 100
 Newington, VA 22122

SHIP TO

WNPB-TV
 191 SCOTT AVENUE
 MORGANTOWN, WV
 26505 293-6511

DATE PRINTED	TERMS OF SALE	SHIP VIA	F.O.B.	FREIGHT TERMS
10/15/2010				

BID OPENING DATE: 10/15/2010

11/16/2010 BID OPENING TIME 01:30PM

LINE	QUANTITY	UOP	CAT. NO.	ITEM NUMBER	UNIT PRICE	AMOUNT
0001	1	LS		840-70		
<p>THE WEST VIRGINIA PURCHASING DIVISION, FOR THE AGENCY, THE WEST VIRGINIA EDUCATIONAL BROADCASTING AUTHORITY, IS SOLICITING BIDS FOR A VIDEO SYSTEM PER THE ATTACHED SPECIFICATIONS.</p> <p>TECHNICAL QUESTIONS MUST BE SUBMITTED IN WRITING TO SHELLY MURRAY IN THE WEST VIRGINIA PURCHASING DIVISION VIA MAIL AT THE ADDRESS SHOWN AT THE TOP OF THIS RFQ, VIA FAX AT 304-558-4115, OR VIA E-MAIL AT SHELLY.L.MURRAY@WV.GOV. DEADLINE FOR ALL TECHNICAL QUESTIONS IS 11/03/2010 AT THE CLOSE OF BUSINESS. ALL TECHNICAL QUESTIONS RECEIVED, IF ANY, WILL BE ADDRESSED BY ADDENDUM AFTER THE DEADLINE.</p> <p>CANCELLATION: THE DIRECTOR OF PURCHASING RESERVES THE RIGHT TO CANCEL THIS CONTRACT IMMEDIATELY UPON WRITTEN NOTICE TO THE VENDOR IF THE COMMODITIES AND/OR SERVICES SUPPLIED ARE OF AN INFERIOR QUALITY OR DO NOT CONFORM WITH THE SPECIFICATIONS OF THE BID AND CONTRACT HEREIN.</p> <p>BANKRUPTCY: IN THE EVENT THE VENDOR/CONTRACTOR FILES FOR BANKRUPTCY PROTECTION, THE STATE MAY DEEM THE CONTRACT NULL AND VOID, AND TERMINATE SUCH CONTRACT WITHOUT FURTHER ORDER.</p> <p>THE MODEL/BRAND/SPECIFICATIONS NAMED HEREIN ESTABLISH</p>						

RFQ # EBA 309
 BY SM
 Bid Opening Date 11-16-10
 Bid Opening Time 11:30

SEE REVERSE SIDE FOR TERMS AND CONDITIONS		
SIGNATURE <i>James Saldivia</i>	TELEPHONE 703-550-5800	DATE 11/11/10
TITLE Manager, Inside Sales	FON 26-0161-840	ADDRESS CHANGES TO BE NOTED ABOVE

WHEN RESPONDING TO RFQ, INSERT NAME AND ADDRESS IN SPACE ABOVE LABELED 'VENDOR'

GENERAL TERMS & CONDITIONS
REQUEST FOR QUOTATION (RFQ) AND REQUEST FOR PROPOSAL (RFP)

1. Awards will be made in the best interest of the State of West Virginia.
2. The State may accept or reject in part, or in whole, any bid.
3. Prior to any award, the apparent successful vendor must be properly registered with the Purchasing Division and have paid the required \$125 fee.
4. All services performed or goods delivered under State Purchase Order/Contracts are to be continued for the term of the Purchase Order/Contracts, contingent upon funds being appropriated by the Legislature or otherwise being made available. In the event funds are not appropriated or otherwise available for these services or goods this Purchase Order/Contract becomes void and of no effect after June 30.
5. Payment may only be made after the delivery and acceptance of goods or services.
6. Interest may be paid for late payment in accordance with the *West Virginia Code*.
7. Vendor preference will be granted upon written request in accordance with the *West Virginia Code*.
8. The State of West Virginia is exempt from federal and state taxes and will not pay or reimburse such taxes.
9. The Director of Purchasing may cancel any Purchase Order/Contract upon 30 days written notice to the seller.
10. The laws of the State of West Virginia and the *Legislative Rules* of the Purchasing Division shall govern the purchasing process.
11. Any reference to automatic renewal is hereby deleted. The Contract may be renewed only upon mutual written agreement of the parties.
12. **BANKRUPTCY:** In the event the vendor/contractor files for bankruptcy protection, the State may deem this contract null and void, and terminate such contract without further order.
13. **HIPAA BUSINESS ASSOCIATE ADDENDUM:** The West Virginia State Government HIPAA Business Associate Addendum (BAA), approved by the Attorney General, is available online at www.state.wv.us/admin/purchase/vrc/hipaa.htm and is hereby made part of the agreement. Provided that the Agency meets the definition of a Cover Entity (45 CFR §160.103) and will be disclosing Protected Health Information (45 CFR §160.103) to the vendor.
14. **CONFIDENTIALITY:** The vendor agrees that he or she will not disclose to anyone, directly or indirectly, any such personally identifiable information or other confidential information gained from the agency, unless the individual who is the subject of the information consents to the disclosure in writing or the disclosure is made pursuant to the agency's policies, procedures, and rules. Vendor further agrees to comply with the Confidentiality Policies and Information Security Accountability Requirements, set forth in <http://www.state.wv.us/admin/purchase/privacy/noticeConfidentiality.pdf>.
15. **LICENSING:** Vendors must be licensed and in good standing in accordance with any and all state and local laws and requirements by any state or local agency of West Virginia, including, but not limited to, the West Virginia Secretary of State's Office, the West Virginia Tax Department, and the West Virginia Insurance Commission. The vendor must provide all necessary releases to obtain information to enable the director or spending unit to verify that the vendor is licensed and in good standing with the above entities.
16. **ANTITRUST:** In submitting a bid to any agency for the State of West Virginia, the bidder offers and agrees that if the bid is accepted the bidder will convey, sell, assign or transfer to the State of West Virginia all rights, title and interest in and to all causes of action it may now or hereafter acquire under the antitrust laws of the United States and the State of West Virginia for price fixing and/or unreasonable restraints of trade relating to the particular commodities or services purchased or acquired by the State of West Virginia. Such assignment shall be made and become effective at the time the purchasing agency tenders the initial payment to the bidder.

I certify that this bid is made without prior understanding, agreement, or connection with any corporation, firm, limited liability company, partnership, or person or entity submitting a bid for the same material, supplies, equipment or services and is in all respects fair and without collusion or fraud. I further certify that I am authorized to sign the certification on behalf of the bidder or this bid.

INSTRUCTIONS TO BIDDERS

1. Use the quotation forms provided by the Purchasing Division. Complete all sections of the quotation form.
2. Items offered must be in compliance with the specifications. Any deviation from the specifications must be clearly indicated by the bidder. Alternates offered by the bidder as **EQUAL** to the specifications must be clearly defined. A bidder offering an alternate should attach complete specifications and literature to the bid. The Purchasing Division may waive minor deviations to specifications.
3. Unit prices shall prevail in case of discrepancy. All quotations are considered F.O.B. destination unless alternate shipping terms are clearly identified in the quotation.
4. All quotations must be delivered by the bidder to the office listed below prior to the date and time of the bid opening. Failure of the bidder to deliver the quotations on time will result in bid disqualifications: Department of Administration, Purchasing Division, 2019 Washington Street East, P.O. Box 50130, Charleston, WV 25305-0130
5. Communication during the solicitation, bid, evaluation or award periods, except through the Purchasing Division, is strictly prohibited (W.Va. C.S.R. §148-1-6.6).



State of West Virginia
 Department of Administration
 Purchasing Division
 2019 Washington Street East
 Post Office Box 50130
 Charleston, WV 25305-0130

Request for Quotation

RFQ NUMBER
EBA309

PAGE
2

ADDRESS CORRESPONDENCE TO ATTENTION OF
SHELLY MURRAY 304-558-8801

VENDOR

RFQ COPY
 TYPE NAME/ADDRESS HERE
 CEI Sales, LLC
 8500 Cinder Bed Rd., Suite 100
 Newington, VA 22122

SHIP TO

WNPB-TV
 191 SCOTT AVENUE
 MORGANTOWN, WV
 26505 293-6511

DATE PRINTED	TERMS OF SALE	SHIP VIA	F.O.B.	FREIGHT TERMS
10/15/2010				

BID OPENING DATE: 11/16/2010 BID OPENING TIME: 01:30PM

LINE	QUANTITY	UOP	CAT NO	ITEM NUMBER	UNIT PRICE	AMOUNT
<p>THE ACCEPTABLE LEVEL OF QUALITY ONLY AND ARE NOT INTENDED TO REFLECT A PREFERENCE OR FAVOR ANY PARTICULAR BRAND OR VENDOR. VENDORS WHO ARE BIDDING ALTERNATES SHOULD SO STATE AND INCLUDE PERTINENT LITERATURE AND SPECIFICATIONS. FAILURE TO PROVIDE INFORMATION FOR ANY ALTERNATES MAY BE GROUNDS FOR REJECTION OF THE BID. THE STATE RESERVES THE RIGHT TO WAIVE MINOR IRREGULARITIES IN BIDS OR SPECIFICATIONS IN ACCORDANCE WITH SECTION 148-1-4(F) OF THE WEST VIRGINIA LEGISLATIVE RULES AND REGULATIONS.</p> <p style="text-align: center;">NOTICE</p> <p>A SIGNED BID MUST BE SUBMITTED TO:</p> <p style="text-align: center;">DEPARTMENT OF ADMINISTRATION PURCHASING DIVISION BUILDING 15 2019 WASHINGTON STREET, EAST CHARLESTON, WV 25305-0130</p> <p>THE BID SHOULD CONTAIN THIS INFORMATION ON THE FACE OF THE ENVELOPE OR THE BID MAY NOT BE CONSIDERED:</p> <p>SEALED BID</p> <p>BUYER: SHELLY MURRAY</p> <p>RFQ. NO.: EBA309</p> <p>BID OPENING DATE: 11/16/2010</p>						

SEE REVERSE SIDE FOR TERMS AND CONDITIONS

SIGNATURE	TELEPHONE	DATE
<i>James J. Davis</i>	703-550-5800	11/11/10
TITLE	FEIN	ADDRESS CHANGES TO BE NOTED ABOVE
Manager, Inside Sales	26-0161-840	

WHEN RESPONDING TO RFQ, INSERT NAME AND ADDRESS IN SPACE ABOVE LABELED 'VENDOR'



State of West Virginia
 Department of Administration
 Purchasing Division
 2019 Washington Street East
 Post Office Box 50130
 Charleston, WV 25305-0130

Request for Quotation

RFQ NUMBER
 EBA309

PAGE
 3

ADDRESS CORRESPONDENCE TO ATTENTION OF:
 SHELLY MURRAY
 304-558-8801

VENDOR

RFQ COPY
 TYPE NAME/ADDRESS HERE
 CEI Sales, LLC
 8500 Cinder Bed Rd., Suite 100
 Newington, VA 22122

SHIP TO

WNPB-TV
 191 SCOTT AVENUE
 MORGANTOWN, WV
 26505 293-6511

DATE PRINTED	TERMS OF SALE	SHIP VIA	FOB	FREIGHT TERMS
10/15/2010				

BID OPENING DATE: 11/16/2010 BID OPENING TIME: 01:30PM

LINE	QUANTITY	UOP	CAT. NO.	ITEM NUMBER	UNIT PRICE	AMOUNT
BID OPENING TIME:				1:30 PM		
PLEASE PROVIDE A FAX NUMBER IN CASE IT IS NECESSARY TO CONTACT YOU REGARDING YOUR BID:						
703-550-5180						
CONTACT PERSON (PLEASE PRINT CLEARLY):						
James Baldwin - (703) 550-5800 x3035						
***** THIS IS THE END OF RFQ EBA309 *****						TOTAL:

SEE REVERSE SIDE FOR TERMS AND CONDITIONS

SIGNATURE: *James Baldwin* TELEPHONE: 703-550-5800 DATE: 11/11/10

TITLE: Manager, Inside Sales FEIN: 26-0161-840 ADDRESS CHANGES TO BE NOTED ABOVE

WHEN RESPONDING TO RFQ, INSERT NAME AND ADDRESS IN SPACE ABOVE LABELED 'VENDOR'

EBA309 Request for Quotations P2/DVCPRO HD Video System

The West Virginia Educational Broadcasting Authority (WVEBA) is conducting a request for quotations for one (1) Panasonic P2 / DVCPRO HD Video System or equivalent. This equipment must functionally provide video media interchangeability with existing WVEBA P2 and DVCPRO equipment.

Item 1

Camera shall be a Panasonic AG-HPX170 fully solid-state 1/3" 3-CCD P2 HD Camcorder, or equivalent and shall exhibit the following specifications:

Pick-Up Device (size & type)	1/3-inch 3-CCD Progressive
Picture Elements (pixels)	Effective 1.1 million pixels
Quantization	Video: 19bits; Audio: 16 bits/4ch
Signal Processing	14bits
Sensitivity	ISO 500
Minimum Illumination	3lux (F1.6, +12dB gain and 1/24 sec. of shutter speed)
Horizontal Resolution	650 lines
Aspect Ratio	16:9/4:3 Switchable
Lens	Leica Dicomar lens w/13x zoom, O.I.S., motorized/manual mode switching, F1.6-3.0 (f=3.9mm to 51mm/ 35mm equivalent: 28mm to 368mm)
ND Filter	1/4, 1/16, 1/64
Focus	Manual and Auto
Media Format	P2 Memory Card
Recording Format	DVCPRO HD: 1080/60i (30p over 60i, 24p over 60i, 24pA over 60i) 720/59.94p (30p over 24p over 60p) 720/30PN (Native) 720/24PN (Native) DVCPRO 50/DVCPRO/DV: 480/60i (30p over 60i, 24p over 60i, 24pA over 60i)

Recording Playback Time	Approx. 16 mins. (using one 16GB P2 card, recording in DVCPROHD 1080/60i) Approx. 32 mins. (using one 16GB P2 card, recording in DVCPROHD 1080/60i)
Frame Rates	Variable
	12/15/18/20/21/22/24/25/26/27/28/30/32/34/36/40/44/48/54/60 fps (20steps)
Shutter Speeds (sec.)	60i/60p mode: (Preset) 1/60 (off), 1/100, 1/120, 1/250, 1/500, 1/1000, 1/2000 sec. 30p/30pN mode: 1/30, 1/50 (off), 1/60, 1/120, 1/250, 1/500, 1/1000 sec. 24p/24pA/24pN mode: 1/24, 1/50 (off), 1/60, 1/120, 1/250, 1/500, 1/1000 sec
Slow Shutter Speeds (sec.)	60i/60p mode: 1/15, 1/30 sec. 30p/30pN mode: 1/15 sec. 24p/24pN mode: 1/12 sec. (in 720p mode only)
Synchro-Scan Shutter (sec.)	60i/60p mode: 1/60.0 sec. to 1/249.8 sec. 30p/30pN mode: 1/30.0 sec. to 1/249.8 sec. 24p/24pA/24pN mode: 1/24.0 sec. to 1/249.8 sec.
Assignable Scene Files	6
Programmable User Buttons	Yes
Filter Wheels	3 Neutral Density
White Balance Selection	A, B, Preset or ATW
Gain Selection (dB)	60i/60p mode: 0/+3/+6/+9/+12/+18 dB, 30p/30pN/24p/24pA/24pN mode: 0/+3/+6/+9/+12 dB, when using slow shutter (1/12 or 1/15), 0dB fixed. when using under 23 fps flame rate, 0dB fixed
Color Matrix	4 preset

SMPTE Color Bar Generator	Yes, 1kHz tone
Video Connections	HD/SD-SDI out, Analog Component out, Analog Composite out
Audio Connections	XLR input (3-pin, dual), Line output (pin-jack, 2-ch), Built-in microphone, stereo mini jack, Built-in speaker (20mm)
Other Connections	IEEE 1394 (6-pin), USB 2.0, Camera remote (2.5mm diameter super mini jack for zoom and rec start/stop; 3.5 mm diameter mini jack for focus and iris)
SD Memory Card Slot	Yes
LCD Screen	3.5-inch color LCD
Viewfinder	.44-inch color viewfinder
Power Supply	DC 7.2V (with Battery) DC 7.9V (with AC adaptor)
Power Consumption	10.9W (when LCD monitor is not used.) 11.7W (when LCD monitor is used.) 13.8W (MAX)
Operating Temperature	32°F to +104°F (0°C to +40°C)
Operating Humidity	10% to 85% (No condensation)
Dimensions (H x W x D)	7.125" x 6.125" x 15.6875"
Weight	4.19 lbs
Warranty	Panasonic's 5-year limited warranty

*1 year regular warranty free parts and labor service

*Years 2 through 5 warranty—after registering equipment on-line,

*Free new or refurbished parts installed free of charge

*Advise of necessary software updates via laptop connection

*Free software download updates from Panasonic

*Management of each P2 HD unit using P2 Asset Support System (PASS)

*Ability to check hour meter and service history of each registered Unit.

Item 2

Lithium-Ion Battery

7.2V / 5,400mA snap on battery

Must have Panasonic approved coupling specifically designed to snap onto Panasonic HPX 170 camcorder

Panasonic CGAD54SE/1B Mfr # CGAD54SE/1B, or equivalent

Item 3

VariZoom

Rocker-Style Controller

Controls multi-speed zoom, focus, iris, and record/pause

Panasonic ROCK-DVX-ZFI, or equivalent

Item 4

Production Monitor

Color LCD

25.5 Multi-Format

Native 1920 x 1200 IPS Panel

1920 x 1200 resolution (WUXGA)

Six color space settings for use in print to digital graphics to HD video: SMPTE, EBU, ITU-R BT.709, Adobe 2.2, Adobe 1.8, D-Cinema

Wider color space than CRT models with two new color space modes Adobe gamma 1.8, Adobe gamma 2.2 and D-Cinema gamma 2.6

Wide 178 horizontal and vertical viewing angles

New split-screen function plays dual live pictures (1 each: SDI, DVI, Component or Video)

Calibration hardware interface for chroma and luma (with built-in Application Software)

Built-in waveform monitor and vectorscope functions from SDI (HD/SD) input (representing all picture lines)

Exceptionally accurate color reproduction and improved contrast and black levels

Three-dimensional 10-bit 3D LUT offering virtually the same color

Offers a variety of professional functions including split-screen/freeze frame (live input vs. freeze frame), marker and blue-only, and cross hatch overlay display

Time code and closed caption capable (closed caption on video input only)

Embedded audio decoder on board (via Headphone Jack)

8 Channel audio level meters

Cine-gamma Film-Rec compensation function for use with cameras such as the Panasonic AJ-HDC27 VariCam HD Cinema Camera and the new AJ-HPX3700 and AJ-HPX2700 P2 HD VariCam camcorders

Inputs/outputs include: DVI-D input and two HD-SDI/SDI Auto switching inputs with switched output, component video (Y/Pb/Pr), RGB, PC RGB, external sync, RS-232C/GPI remote control terminals, speaker and headphone jack

Five programmable user buttons for easy access to functions

Desk stand included; compatible with VESA mounts (100mm x 100mm or 200mm)

Separate 24 Volt AC Adapter supplied; AC cord (5.58 ft.) and 4-pin XLR DC cord (6.56 ft.) included

One-year warranty (parts & labor)

Panasonic BT-LH2550, or equivalent

Item 5

DVCPRO HD Video Tape Recorder

The unit is intended for field recording; used in nonlinear edit suites; in-studio editing and production.

Compact DVCPRO HD® VTR with DVCPRO® 50/25, DVCAM and DV Playback, HD-SDI and IEEE 1394 Interface

The unit must record at 100 Mbps with 4:2:2 color sampling and intra-frame compression in multiple U.S. and worldwide HD/SD formats including 1080/59.94, 1080/50i, 720/60p, 720/59.94p and 720/50p.

Converts from a VariCam® 50p recording (over 60p) source with native 720p/50 or PAL output

The unit must be designed with comprehensive editing features.

The unit must feature HD SDI digital input/output and IEEE 1394 input/output, a 9-pin remote interface for use in assemble/insert editing, and a built-in up/down converter.

The lightweight VTR must offer a handle for on-the-go use and be compact in design for desktop use and in-studio editing.

IEEE 1394 input/output interface transfers DVCPRO HD native video to NLE systems without image quality degradation

HD-SDI input/output and SDI output for applications such as line recording and in-studio production

Built-in up/down/cross converter for playing back DVCPRO 50/DVCPRO/DV/DVCAM tapes and for outputting a converted HD signal

Supports VANC metadata (UMID, CC, etc.)

Multi-format HD/SD system records in 1080/59.94p, 1080/50i, 720/60p, 720/59.94p and 720/50p Supports Encoder Remote (component style/composite style)

64 minutes of recording time on an AJ-P126L cassette or equivalent. Accepts DVCPRO (L/M) and Mini-DV cassettes (AJ-CS455 cassette adaptor required for Mini-DV cassette playback.)

Compact and lightweight

AC or DC operation

High-quality 16-bit digital audio with up to eight embedded channels

Panasonic AJ-HD 1400, or equivalent

Warranty: One-year parts and labor

Item 6

P2 Card

Solid State P2 memory cards shall have high-quality video recording and optimum flexibility, including:

Reliable performance and instant access

Compatibility with all P2 camcorders, P2 recorders and workflow tools

P2 cards can store all P2 frame rates and formats: HD, SD, DVCPRO HD/50/25 and AVC-Intra 100 / 50

Item

64GB Card

64GB "E"-Series w/ 1.2 Gb/s
Transfer Speed: 256/128/64 Minutes
Panasonic AJ-P2E064XG, or equivalent

Item

32GB Card

32GB "E"-Series w/ 1.2 Gb/s
Transfer Speed: 128/64/32 Minutes
Panasonic AJ-P2E032XG, or equivalent

Item 7

Sunshade Kit 2

Must mount to Panasonic HMC-150 and AG-HPX-170 Camcorder via a
 Panasonic approved clamp-on attachment
 2 Rotating Filter Holders
 French Flag
 Rear Plate
 72mm Step Down Ring
 Lightweight Support System
 Chrosziel R20-HMC150K2, MFR# AC-CMB-R20-HMC150K2, or equivalent

Item 8

Lens Protector Filter

72mm mounting threads
 UV filter type
 Tiffen MFR# 72UVP, or equivalent

Item 9

0.8x Wide Angle Adapter Lens

Must be specifically designed to fit the Panasonic AG-HPX170
 20% Wider Angle Coefficient
 102mm Filter Acceptance
 Century Precision Optics HD-08CV-AG MFR# 0HD-08CV-AG, or equivalent

Item 10

Hiker Backpack

Padded Nylon Backpack
 Modi-Vers Divider System or equivalent
 TST Protection
 Omega Advanced Harness System
 Hip Belt
 Kata HB-207 GDC Mfr # KT HB-207, or equivalent

Item 11

Camcorder Weather cover

For Panasonic AG-HPX170 Camcorder
 Thermo Pressed Fabric Lamination
 Includes Flexible Viewfinder Sleeve
 Kata DVG-62 Camcorder Guard Mfr # KT VA-605-62, or equivalent

Item 12

Mini AC/DC Battery Charger for Panasonic D54

Must charge Lithium-Ion Panasonic CGAD54SE/1B Battery

Battery Specs: 7.2V, 5,400mA

Pearstone MFR# CM-CGRD54 or equivalent

Item 13

LED On-Camera Light

Litepanels MicroPro Mfr # LP MICROPRO, or equivalent

Dimmable

Power Source

The MicroPro can be powered by either standard or rechargeable AA batteries, or be powered by a 5-16VDC source via an input jack by using the optional AC Power Adapter (which includes an International Plug Set). Part number is MACA, which works with both the LP-Micro and the LP-MicroPro.

Included with this kit are a gel set containing 1/4 correction, full correction, and diffusion filters, as well as a shoe mount and carrying bag.

Heat Free LED

This light uses LED technology which offers heat free operation only drawing 9 watts of power.

Daylight Balanced

The Micro is a 5600K daylight balance device with the option of using provided filters to warm the illumination or change to tungsten 3200K balancing.

Compact

Measuring less than 6" at its longest dimension this small light will easily work with small DV and other digital cameras.

Runtime

This light runs up to 1.5 hours on 6 AA batteries (HD Alkaline) and 5-6 hours on E2 lithium ion batteries.

Lamp Type

LED Array

Mount Type

Ball Head Shoe Mount

Power Source

9VDC from 6 AA Batteries

5-16VDC from Optional Source (AC Power Adapter)

Power Consumption 9W

Power Connector

AA Batteries Internal
 Litepanels Proprietary External

Dimensions (WxDxH)

5.5 x 1.5 x 4"

13.9 x 3.8 x 10.2cm

Weight

10.5 oz

300G

Item 14

Quad Battery Power Charger

Size: 2.99 x 12.50 x 8.23 in (7.60 x 31.75 x 20.90 cm)

Weight: 4.1 lbs (1.9 kg)

2 amp DDM (Diagnostic Discharge Module) Standard

4 position sequential charging

70 Watt, 16VDC Power Supply Output

AC Input:100-240 VAC, 50/60 Hz. Wide Range Input

Multi-function LCD readout

7 full-time operating charge terminations

Field upgradable firmware for future compatibility

Meets regulatory requirements including CE and FCC

Compatible with any Anton/Bauer Logic Series battery

MAXX V Warranty - Five year conditional warranty

Anton Bauer Quad 2702 PowerCharger SKU: 8475-0057, or equivalent

Item 15

Lithium Ion Battery

Size: 3.75 x 5.25 x 4.00 in (9.53 x 13.34 x 10.16 cm)

Weight: 3.4 lbs (1.5 kg)

14.4v 160Wh Li Ion battery

Military grade cell technology

Integral digital features

REALTIME display

Meets regulatory requirements including CE

MAXX II Warranty - two year conditional warranty

Anton Bauer Dionic 160 SKU: 8675-0021, or equivalent

Item 16

Tripod and Fluid Head

Fluid Head that can handle lightweight cameras such as video DSLRs

16-step Counterbalance for fine tuning of weight adjustment for different cameras

7 levels of drag

Self-Illuminating bubble level

Speed Lock CF HD two-stage tripod made of twist resistant carbon fiber

Mid-level Spreader

Rubber Feet

Padded Bag

Supports 4-40 lbs (2-18kg)

Sachtler System 18 S1 SL MCF, or equivalent

General Specifications

Load Capacity
4-40 lbs (2-18kg)

Maximum Height
67.7" (172cm)

Minimum Height
24.8" (63cm)

Folded Length
35" (89cm)

Leveling Bubble/Illuminated
Yes/Yes

Weight
18.3 lbs (8.3kg)

Head

Counter Balance System
16 Steps + Boost Button

Quick Release/Wedge Plate
Touch & Go Plate 16

Balance Plate
4.7" (120mm)

Tilt Drag
7 Steps

Tilt Range
+90° to -70°

Tilt Lock
Independent

Pan Drag
7 Steps

Pan Range
360°

Pan Lock
Independent

Legs

Material
Carbon Fiber

Head Attachment Fitting
100mm

Leg Stages/Sections
2/3

Leg Lock Type
Quick Clamp Torque Lock

Independent Leg Spread
Yes

Spiked/Retractable Feet
Spiked

Center Brace
Ground-level

Item 17 Shipping

Shipping charges shall be included in product pricing.

Delivery shall be FOB destination

Deliver to:

WV Public Broadcasting
Attention: Bill Blaker
191 Scott Avenue
Morgantown, WV 26505

Item 18 Invoicing

Send invoice to:

West Virginia Public Broadcasting
Attention: Steve Chapman
600 Capitol St.
Charleston, WV 25301

Pricing Page
EBA309 P2/DVCPRO HD System

<u>Item</u>	<u>Quantity</u>	<u>Description</u>	<u>Unit Price</u>	<u>Extended</u>
1	1	Solid State HD 1/3" 3 CCD P2 Camcorder Panasonic AG-HPX170 or equal	<u>4,034.10</u>	<u>\$ 4,034.10</u>
2	2	Lithium-Ion Battery Panasonic CGAD54SE/1B or equal	<u>164.77</u>	<u>\$ 329.54</u>
3	1	Vari zoom Panasonic ROCK-DVX-ZF1 or equal correct part number - VR-ROCK-PZFI	<u>410.02</u>	<u>\$ 410.02</u>
4	4	Production Monitor Panasonic BT-LH2550 or equal	<u>3,720.50</u>	<u>\$ 14,882.00</u>
5	1	DVCPRO HD Video Tape Recorder Panasonic AJ-HD 1400 or equal	<u>21,903.12</u>	<u>\$ 21,903.12</u>
6	2	P2 Card 64GB Panasonic AJ-P2E064XG or equal	<u>924.81</u>	<u>\$ 1,849.62</u>
	2	P2 Card 32GB Panasonic AJ-P2E032XG or equal	<u>580.40</u>	<u>\$ 1,160.80</u>
7	1	Sunshade Kit 2 Chrosziel R20-HMC 150K2 or equal	<u>1,546.93</u>	<u>\$ 1,546.93</u>
8	1	Lens Protector Filter Tiffen 72 UVP or equal	<u>16.65</u>	<u>\$ 16.65</u>
9	1	Wide Angle Adapter Lens Century Precision Optics HD-08DV-AG or equal correct part number- 0HD-08CV-AG	<u>676.07</u>	<u>\$ 676.07</u>
10	1	Hiker Backpack Kata HB-207 GDC Hiker Backpack or equal	<u>273.62</u>	<u>\$ 273.62</u>
11	1	Camcorder Weather cover Kata DVG-62 Camcorder Guard or equal	<u>167.32</u>	<u>\$ 167.32</u>
12	1	Mini AC/DC Battery Charger for		

		Panasonic D54 Pearstone or equal and AP-USA-E	<u>25.88</u>	<u>\$ 25.88</u>
13	1	LED On-Camera Light Litepanels MicroPro or equal	<u>406.60</u>	<u>\$ 406.60</u>
14	1	Quad Battery Power Charger Anton Bauer Quad 2702 or equal	<u>1,801.79</u>	<u>\$ 1,801.79</u>
15	2	Lithium Ion Battery Anton Bauer Dionic 160 or equal	<u>817.45</u>	<u>\$ 817.45</u>
16	2	Tripod & Fluid Head Sachtler System 18 S1 SL MCF or equal Model Number - 1863S1	<u>6,815.53</u>	<u>\$ 13,631.06</u>
TOTALS				<u>\$ 63,932.57</u>

Shipping charges are to be including in product pricing.



Signature of Vendor Representative submitting bid

11/11/10

Date

STATE OF WEST VIRGINIA
Purchasing Division

PURCHASING AFFIDAVIT

West Virginia Code §5A-3-10a states: No contract or renewal of any contract may be awarded by the state or any of its political subdivisions to any vendor or prospective vendor when the vendor or prospective vendor or a related party to the vendor or prospective vendor is a debtor and the debt owed is an amount greater than one thousand dollars in the aggregate.

DEFINITIONS:

"Debt" means any assessment, premium, penalty, fine, tax or other amount of money owed to the state or any of its political subdivisions because of a judgment, fine, permit violation, license assessment, defaulted workers' compensation premium, penalty or other assessment presently delinquent or due and required to be paid to the state or any of its political subdivisions, including any interest or additional penalties accrued thereon.

"Debtor" means any individual, corporation, partnership, association, limited liability company or any other form or business association owing a debt to the state or any of its political subdivisions. "Political subdivision" means any county commission; municipality; county board of education; any instrumentality established by a county or municipality; any separate corporation or instrumentality established by one or more counties or municipalities, as permitted by law; or any public body charged by law with the performance of a government function or whose jurisdiction is coextensive with one or more counties or municipalities. "Related party" means a party, whether an individual, corporation, partnership, association, limited liability company or any other form or business association or other entity whatsoever, related to any vendor by blood, marriage, ownership or contract through which the party has a relationship of ownership or other interest with the vendor so that the party will actually or by effect receive or control a portion of the benefit, profit or other consideration from performance of a vendor contract with the party receiving an amount that meets or exceeds five percent of the total contract amount.

EXCEPTION: The prohibition of this section does not apply where a vendor has contested any tax administered pursuant to chapter eleven of this code, workers' compensation premium, permit fee or environmental fee or assessment and the matter has not become final or where the vendor has entered into a payment plan or agreement and the vendor is not in default of any of the provisions of such plan or agreement.

Under penalty of law for false swearing (*West Virginia Code §61-5-3*), it is hereby certified that the vendor affirms and acknowledges the information in this affidavit and is in compliance with the requirements as stated.

WITNESS THE FOLLOWING SIGNATURE

Vendor's Name: CEI Sales, LLC

Authorized Signature: *James Baldwin* Date: 11/11/10

State of Virginia

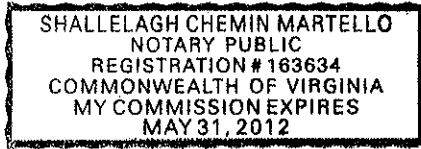
County of Fairfax, to-wit:

Taken, subscribed, and sworn to before me this 11th day of November, 2010

My Commission expires May 31, 2012.

AFFIX SEAL HERE

NOTARY PUBLIC *Shallelagh Chemin Martello*





Home	Dealers	VariZoom Community	Demo Bargains	Contact	Track Order	Repairs
----------------------	-------------------------	------------------------------------	-------------------------------	-------------------------	-----------------------------	-------------------------

Video

- [Lens Controllers](#)
- [Camera Stabilizer Systems](#)
- [Camera Support Systems](#)
- [On-Camera LED Lights](#)
- [Tripods and Dollies](#)
- [Jibs and Camera Cranes](#)
- [Motion Control](#)
- [TFT Monitors](#)
- [Batteries](#)
- [Optics](#)
- [Cables and Accessories](#)

Photo and DSLR

- [Tripods](#)
- [Supports](#)
- [Stabilizers](#)
- [Accessories](#)

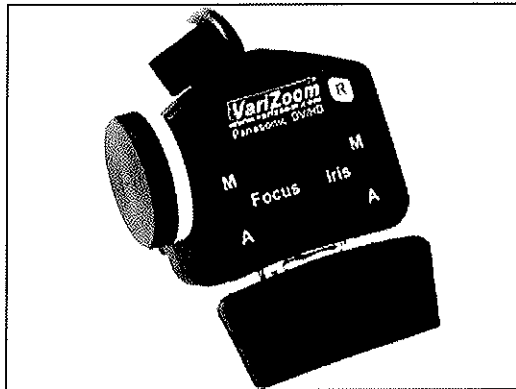
[View Cart](#)

[Customer Testimonials](#)

TFT7U 7inch Monitor - A great preview monitor for those extra sets of eyes on the set. Clear, good size, nice travel bag and accessories....[read more]

RockPZFI Zoom

Controller - I can't believe I shot for years without the VariZoom Rocker Controller. All the major controls are at your fingertips. This module controls



PZFI Zoom/Focus/Iris Control for Panasonic HVX200, DVX100B, and HPX170.



- [DESCRIPTION](#)
- [SPECIFICATIONS](#)
- [RELATED PRODUCTS](#)
- [TESTIMONIALS](#)

Description

The RockZFI utilizes a pressure-sensitive, side-to-side rocker switch like broadcast zoom controls. This rocker has a greater range of motion for a finer degree of zoom control than the throttle style zoom controls. Adjust iris or focus using smooth and quiet knobs that provide easy operation while you compose your shots. Independent focus/iris knobs allow two people to operate together for critical focus during moving shots or crane moves - imagine the possibilities! The manual/auto switches lock into position, letting you watch the picture, not your hands.

- Wide-sweep variable rocker for smooth, sustainable zooms
- Low profile record/pause button
- Unique dual knob adjustment
- Position switches for manual/auto modes

VariZoom is the world's largest manufacturer of lens controls with the widest variety of controls offered anywhere. Our controls are used by CNN, CSPAN, National Geographic Society, Nickelodeon and many other professionals.

VZ RockPZFI

Specifically designed for Panasonic HVX200, DVX100B, HMC150, and HPX170 cameras, this is the first and only zoom, focus, and iris control. This powerful combination offers precise control over these three camera functions. Operator may switch between auto and manual control for focus and iris at anytime. Works on all camera supports, stabilizers, tripods, & jibs.

Price: \$ 299.95

1



the focus, iris and zoom.
There's even a record
button on the module. No
longer will you have to
reach up, take your hands
off the tripod and adjust
the zoom, iris or focus.It
installs to any tripod
handle, quick and easy!...
[read more]

And as always: Guaranteed best or your money back!

[Home](#) [Dealers](#) [VariZoom Community](#) [Demo Bargains](#) [Contact](#) [Track Order](#) [Repairs](#)

© VariZoom Lens Controls - 2009 - All Rights Reserved

VariZoom Controller Model and Function Compatibility
(Z=zoom, F=focus, I=iris, R=record)

Panasonic Camera Model	Pro-PZFI	Rock-PZFI	Stealth-PZFI	PFI	PG-PZ	Rock-DVX	Rock-DVX-LE	Stealth-DVX
AG-HMC40	ZFIR	ZFIR	ZFIR	FI	ZR	ZR	ZR	ZR
AG-HMC150	ZFIR	ZFIR	ZFIR	FI	ZR	ZR	ZR	ZR
AG-HPX170	ZFIR	ZFIR	ZFIR	FI	ZR	ZR	ZR	ZR
AG-HVX200	ZFIR	ZFIR	ZFIR	FI	ZR	ZR	ZR	ZR
AG-HVX200A	ZFIR	ZFIR	ZFIR	FI	ZR	ZR	ZR	ZR
AG-DVX100B	ZFIR	ZFIR	ZFIR	FI	ZR	ZR	ZR	ZR
AG-DVX100A	ZR	ZR	ZR	none	ZR	ZR	ZR	ZR
AG-DVX100	ZR	ZR	ZR	none	ZR	ZR	ZR	ZR
AG-DVC30	ZR	ZR	ZR	none	ZR	ZR	ZR	ZR
AG-DVC60	ZR	ZR	ZR	none	ZR	ZR	ZR	ZR
AG-DVC80	ZR	ZR	ZR	none	ZR	ZR	ZR	ZR

Pro Series HD

Century Lens Accessories for Panasonic AG-HPX170 & HMC150

The renowned Century Pro Series HD professional add-on lenses are designed to help you shoot wider, reach further, and move in closer than the lens on the 170/150 alone allows. The superb optics are designed to produce the best professional images. These extraordinary add-ons minimize chromatic aberrations and unwanted distortion and produce images that are ultrasharp edge-to-edge. Century front-mounted accessories interface directly with the camcorder's lens via a secure locking bayonet mount. So mounting and removing is quick, easy and safe.



.6X HD Wide Angle Adapter

Lightweight and cost-effective, the .6X HD Wide Angle Adapter increases coverage by 40%. This professional optical tool yields a much wider angle of view with extremely low distortion. Partial zoom only.



OHD-06WA-AG

.8X HD Wide Angle Converter

The right tool for shooting situations that require both a wider angle of view and full zoom capability. Increases the field of view by 20% throughout the entire zoom range. This professional add-on lens produces crisp, high resolution images with low distortion and superior contrast edge to edge.



OHD-08CV-AG

Fisheye HD Adapter

Add the Fisheye to the front of your lens for a wider angle of view and a remarkable degree of barrel distortion with no vignetting. The Fisheye exaggerates depth, pulling nearby objects closer and causing distant objects to recede into the background. The Fisheye allows for partial zoom—but for the most pronounced effect, you'll want to stay at the wide end of the range.



OHD-FEAD-AG

Xtreme HD Fisheye Adapter



OHD-FEWA-AG

The broadest fisheye on the market, this eye-popping attachment offers an ultra-wide field of view along with pronounced barrel distortion. The highest grade optics produce a 160° horizontal field of view (180° at the corners). Rod support recommended.

1.6X HD Tele-Converter



OHD-16TC-AG

Extend the reach of your zoom without exposure loss. The 1.6X HD Tele-Converter is a front-mounted accessory that also provides greater telephoto reach. Use it to instantly shift the focal length range of your camera in the telephoto direction. The perfect tool when it's inconvenient, dangerous or impossible to move as close to the subject as you would like.

Achromatic Diopters



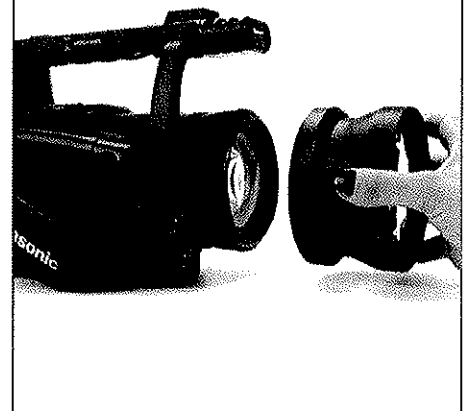
OAD-7220-00,
OAD-7235-00

Available in +2.0 & +3.5 magnifications, Achromatic Diopters supply greater close-up range & magnification while maintaining zoom capabilities, without compromising image quality. Ideal when you need to focus tightly on a small object—in tabletop, miniature and flat field videography. 72mm thread.

Bayonet Mount for a Secure & Perfect Fit



Mounting and removing accessories is so easy, it takes just a few seconds. Most Century adapters and converters interface directly with the bayonet mount at the front of the lens and require just one hand to lock and unlock with a simple twist. There's no threading and no jamming.



www.schneideroptics.com

Specifications

Century

Century Add-ons for Panasonic AG-HPX170 & HMC150 Camcorders

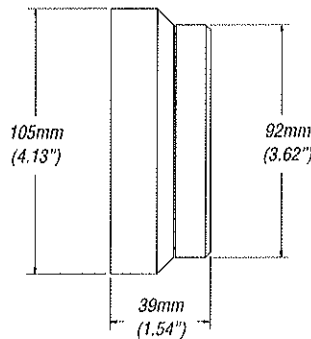
Description	Focal Length	Aperture	Horiz. Angle of View	35mm Still Equivalent	Comments
ORIGINAL LENS 13X	3.9-51mm	f/1.6-3.0	63.2-5.4	28-368mm	
OHD-06WA-AG .6X HD Wide Angle Adapter*	2.34-20.4mm	f/1.6-3.0	91.5-13.4	17.6-153mm	Partial zoom in auto focus only
OHD-08CV-AG .8X HD Wide Angle Converter*	3.1-40.8mm	f/1.6-3.0	75.1-6.7	23.4-306mm	Full zoom capability
OHD-FEAD-AG Fisheye HD Adapter*	Approx.1.56mm	f/1.6-3.0	114	11.7mm	Partial zoom in auto focus only
OHD-FEWA-AG Xtreme HD Fisheye Adapter*	Approx 1.17mm	f/1.6-3.0	128	8.8mm	Partial zoom in auto focus only
OHD-16TC-AG 1.6X HD Tele-Converter*	40-81.6mm	f/1.6-3.0	6.9-3.4	300-612mm	Partial zoom, vignettes @ wide angles
OAD-7220-00 +2.0 Achromatic Diopter**	N/A	f/1.6-3.0	N/A	N/A	Full zoom capability
OAD-7235-00 +3.5 Achromatic Diopter**	N/A	f/1.6-3.0	N/A	N/A	Full zoom capability

*Note: Bayonet Mount

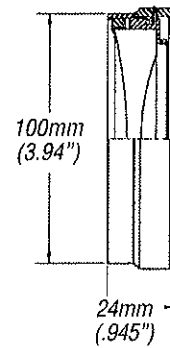
** 72mm thread-in adapters



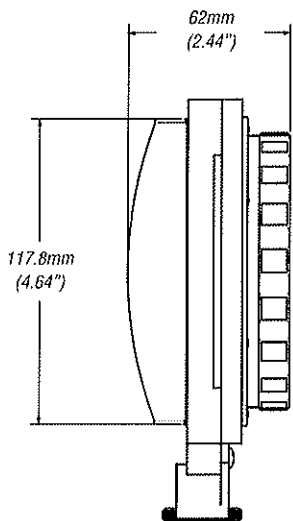
.6X HD Wide Angle Adapter
7oz (200g)
102mm Filter Thread



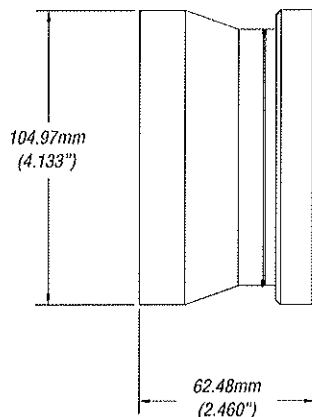
.8X HD Wide Angle Converter
14.5oz (410g)
102mm Filter Thread



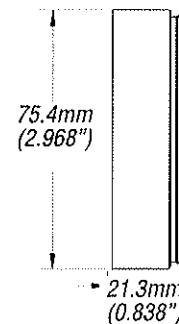
Fisheye HD Adapter
7.6oz (213g)



Xtreme HD Fisheye
56.5oz (1.6kg)



1.6X HD Tele-Converter
26oz (731g)
102mm Filter Thread



Achromatic Diopter
5.6oz (159g)
72mm filter thread

1-800-228-1254

Schneider OPTICS
It Starts with the Glass™

West Coast • 7701 Haskell Ave. • Van Nuys, CA 91406 • Tel: 818-766-3715 • Fax: 818-505-9865
East Coast • 285 Oser Ave. • Hauppauge, NY 11788 • Tel: 631-761-5000 • Fax: 631-761-5090

Printed in USA GCA 200 4.13.09



Century Film & Video

Filters

Industrial

Photography

Projection

Software

Service

Info

Cart | Sign In | Logout

PRODUCT SEARCH



Panasonic AG-HPX170 / AG-HMC150

Century's Pro Series offers quality professional lens accessories designed to help you go wider, reach further, and move in closer than the lens on your AG 170/150 alone allows. Century's superb optics provide the finest professional images. These state-of-the-art add-ons minimize chromatic aberrations and unwanted distortion and produce images that are ultrasharp edge-to-edge. Most of Century's accessories interface directly with the bayonet mount at the front of the lens so mounting and removing is quick and easy.



Schneider News

- Schneider becomes exclusive distributor of Cam Caddie
- Interviews with today's top cinematographers
- Schneider introduces new Cine-Xenar lenses
- Schneider Simplifies Compatibility with Sony Projectors

[View Brochure](#)

Lens Add-Ons

Stock Code	Description	List Price
0HD-06WA-AG	.6X WA HD ADAPTER AG170/150	\$490.00 EA
0HD-08CV-AG	.8X W/A HD CONV 170/150	\$795.00 EA
0HD-FEAD-AG	FISHEYE HD ADAPTER AG170/150	\$595.00 EA
0HD-FEWA-AG	XTREME FISHEYE HD ADP 170/150	\$3,450.00 EA
0HD-16TC-AG	1.6X HD TELE-CONVERTER AG170/150	\$1,025.00 EA

Sunshades/Filter Holders/Matte Boxes

Stock Code	Description	List Price
0VS-SS05-00	WIDE ANGLE SUNSHADE/FILTER HLD	\$195.00 EA
0VS-FF44-00	4X4 FILTER FRAME, PRO SERIES	\$155.00 EA
0DS-MB44-WCS	DVMB W/A CLAMP-ON KIT 72-105MM	\$1,160.00 EA

Diopters

Stock Code	Description	List Price
0AD-7220-00	72MM +2.0 ACHRO DIOPTER	\$595.00 EA
0AD-7235-00	72MM +3.5 ACHRO DIOPTER	\$595.00 EA

Filters

Stock Code	Description	List Price
70-C48801	CENTURY 4X4 ESSENTIAL 5-FILTER KIT	\$549.00 EA
68-884401	4X4 STARTER FILTER KIT	\$465.00 EA
68-120044	4X4 CLEAR FILTER	\$149.00 EA
65-070147	72MM CLEAR UV HAZE (010)	\$84.00 EA
65-062139	72MM LINEAR POLARIZER	\$113.00 EA
68-084172	72MM CLASSIC SOFT 1/4	\$160.00 EA
68-083172	72MM BLACK FROST 1/4	\$160.00 EA
65-072901	72MM ND 0.6-4X (102)	\$84.00 EA

[| About Schneider](#) | [| Contact](#) | [| Privacy](#) | [| Legal](#) | [| Copyright](#)