



State of West Virginia
 Department of Administration
 Purchasing Division
 2019 Washington Street East
 Post Office Box 50130
 Charleston, WV 25305-0130

Request for Quotation

RFQ NUMBER
 DJS010337

PAGE
 1

ADDRESS CORRESPONDENCE TO ATTENTION OF
 TARA LYLE
 304-558-2544

RFQ COPY
 TYPE NAME/ADDRESS HERE

L.H. Jones Equipment
 1825 Earl L. Core Road
 Morgantown, WV 26505

DIVISION OF JUVENILE SERVICES
 KENNETH HONEY RUBENSTEIN
 JUVENILE CENTER
 141 FORESTRY CAMP ROAD
 DAVIS, WV 26260
 304-259-2220

DATE PRINTED	TERMS OF SALE	SHIP VIA	FOB	FREIGHT TERMS
05/10/2011			Morgantown, WV	
BID OPENING DATE: 06/07/2011		BID OPENING TIME 01:30PM		

LINE	QUANTITY	UOP	CAT NO	ITEM NUMBER	UNIT PRICE	AMOUNT
0001	1	EA		760-50	\$16,904.16	\$16,904.16
				TRACTOR		
0002	1	EA		020-61	\$3510.00	\$3510.00
				LOADER		
0003	1	EA		765-61	\$4881.53	\$4881.53
				MOUNT SNOW BLOWER		

INQUIRIES:

WRITTEN QUESTIONS WILL BE ACCEPTED UNTIL CLOSE OF BUSINESS ON 05/20/2011. QUESTIONS MAY BE SENT VIA USPS, FAX, COURIER OR E-MAIL. IN ORDER TO ASSURE NO VENDOR RECEIVES AN UNFAIR ADVANTAGE, NO SUBSTANTIVE QUESTIONS WILL BE ANSWERED ORALLY. IF POSSIBLE, E-MAIL QUESTIONS ARE PREFERRED. ADDRESS INQUIRIES TO:

TARA LYLE
 DEPARTMENT OF ADMINISTRATION
 PURCHASING DIVISION
 2019 WASHINGTON STREET, EAST
 CHARLESTON, WV 25305

RECEIVED

2011 JUN -7 AM 11:00

WV PURCHASING DIVISION

FAX: 304-558-4115 SEE REVERSE SIDE FOR TERMS AND CONDITIONS

SIGNATURE <i>Tara Lyle</i>	TELEPHONE 304-292-1307	DATE 6-3-11
TITLE Inside Sales	FEIN 55-0551865	ADDRESS CHANGES TO BE NOTED ABOVE

WHEN RESPONDING TO RFQ, INSERT NAME AND ADDRESS IN SPACE ABOVE LABELED 'VENDOR'

**GENERAL TERMS & CONDITIONS
REQUEST FOR QUOTATION (RFQ) AND REQUEST FOR PROPOSAL (RFP)**

1. Awards will be made in the best interest of the State of West Virginia.
2. The State may accept or reject in part, or in whole, any bid.
3. Prior to any award, the apparent successful vendor must be properly registered with the Purchasing Division and have paid the required \$125 fee.
4. All services performed or goods delivered under State Purchase Order/Contracts are to be continued for the term of the Purchase Order/Contracts, contingent upon funds being appropriated by the Legislature or otherwise being made available. In the event funds are not appropriated or otherwise available for these services or goods this Purchase Order/Contract becomes void and of no effect after June 30.
5. Payment may only be made after the delivery and acceptance of goods or services.
6. Interest may be paid for late payment in accordance with the *West Virginia Code*.
7. Vendor preference will be granted upon written request in accordance with the *West Virginia Code*.
8. The State of West Virginia is exempt from federal and state taxes and will not pay or reimburse such taxes.
9. The Director of Purchasing may cancel any Purchase Order/Contract upon 30 days written notice to the seller.
10. The laws of the State of West Virginia and the *Legislative Rules* of the Purchasing Division shall govern the purchasing process.
11. Any reference to automatic renewal is hereby deleted. The Contract may be renewed only upon mutual written agreement of the parties.
12. **BANKRUPTCY:** In the event the vendor/contractor files for bankruptcy protection, the State may deem this contract null and void, and terminate such contract without further order.
13. **HIPAA BUSINESS ASSOCIATE ADDENDUM:** The West Virginia State Government HIPAA Business Associate Addendum (BAA), approved by the Attorney General, is available online at www.state.wv.us/admin/purchase/vrc/hipaa.htm and is hereby made part of the agreement. Provided that the Agency meets the definition of a Cover Entity (45 CFR §160.103) and will be disclosing Protected Health Information (45 CFR §160.103) to the vendor.
14. **CONFIDENTIALITY:** The vendor agrees that he or she will not disclose to anyone, directly or indirectly, any such personally identifiable information or other confidential information gained from the agency, unless the individual who is the subject of the information consents to the disclosure in writing or the disclosure is made pursuant to the agency's policies, procedures, and rules. Vendor further agrees to comply with the Confidentiality Policies and Information Security Accountability Requirements, set forth in <http://www.state.wv.us/admin/purchase/privacy/noticeConfidentiality.pdf>.
15. **LICENSING:** Vendors must be licensed and in good standing in accordance with any and all state and local laws and requirements by any state or local agency of West Virginia, including, but not limited to, the West Virginia Secretary of State's Office, the West Virginia Tax Department, and the West Virginia Insurance Commission. The vendor must provide all necessary releases to obtain information to enable the director or spending unit to verify that the vendor is licensed and in good standing with the above entities.
16. **ANTITRUST:** In submitting a bid to any agency for the State of West Virginia, the bidder offers and agrees that if the bid is accepted the bidder will convey, sell, assign or transfer to the State of West Virginia all rights, title and interest in and to all causes of action it may now or hereafter acquire under the antitrust laws of the United States and the State of West Virginia for price fixing and/or unreasonable restraints of trade relating to the particular commodities or services purchased or acquired by the State of West Virginia. Such assignment shall be made and become effective at the time the purchasing agency tenders the initial payment to the bidder.

I certify that this bid is made without prior understanding, agreement, or connection with any corporation, firm, limited liability company, partnership, or person or entity submitting a bid for the same material, supplies, equipment or services and is in all respects fair and without collusion or fraud. I further certify that I am authorized to sign the certification on behalf of the bidder or this bid.

INSTRUCTIONS TO BIDDERS

1. Use the quotation forms provided by the Purchasing Division. Complete all sections of the quotation form.
2. Items offered must be in compliance with the specifications. Any deviation from the specifications must be clearly indicated by the bidder. Alternates offered by the bidder as **EQUAL** to the specifications must be clearly defined. A bidder offering an alternate should attach complete specifications and literature to the bid. The Purchasing Division may waive minor deviations to specifications.
3. Unit prices shall prevail in case of discrepancy. All quotations are considered F.O.B. destination unless alternate shipping terms are clearly identified in the quotation.
4. All quotations must be delivered by the bidder to the office listed below prior to the date and time of the bid opening. Failure of the bidder to deliver the quotations on time will result in bid disqualifications: Department of Administration, Purchasing Division, 2019 Washington Street East, P.O. Box 50130, Charleston, WV 25305-0130
5. Communication during the solicitation, bid, evaluation or award periods, except through the Purchasing Division, is strictly prohibited (W.Va. C.S.F. §148-1-6.6).



State of West Virginia
 Department of Administration
 Purchasing Division
 2019 Washington Street East
 Post Office Box 50130
 Charleston, WV 25305-0130

Request for Quotation

RFQ NUMBER
DJS010337

PAGE
2

ADDRESS CORRESPONDENCE TO ATTENTION OF
TARA LYLE
304-558-2544

RFQ COPY
 TYPE NAME/ADDRESS HERE

DIVISION OF JUVENILE SERVICES
 KENNETH HONEY RUBENSTEIN
 JUVENILE CENTER
 141 FORESTRY CAMP ROAD
 DAVIS, WV
 26260 304-259-2220

DATE PRINTED	TERMS OF SALE	SHIP VIA	FOB	FREIGHT TERMS
05/10/2011				

BID OPENING DATE: **06/07/2011** BID OPENING TIME **01:30PM**

LINE	QUANTITY	UOM	CAT NO	ITEM NUMBER	UNIT PRICE	AMOUNT
<p>E-MAIL: TARA.L.LYLE@WV.GOV</p> <p>CANCELLATION: THE DIRECTOR OF PURCHASING RESERVES THE RIGHT TO CANCEL THIS CONTRACT IMMEDIATELY UPON WRITTEN NOTICE TO THE VENDOR IF THE COMMODITIES AND/OR SERVICE SUPPLIED ARE OF AN INFERIOR QUALITY OR DO NOT CONFORM TO THE SPECIFICATIONS OF THE BID AND CONTRACT HEREIN.</p> <p>BANKRUPTCY: IN THE EVENT THE VENDOR/CONTRACTOR FILES FOR BANKRUPTCY PROTECTION, THE STATE MAY DEEM THE CONTRACT NULL AND VOID, AND TERMINATE SUCH CONTRACT WITHOUT FURTHER ORDER.</p> <p>THE MODEL/BRAND/SPECIFICATIONS NAMED HEREIN ESTABLISH THE ACCEPTABLE LEVEL OF QUALITY ONLY AND ARE NOT INTENDED TO REFLECT A PREFERENCE OR FAVOR ANY PARTICULAR BRAND OR VENDOR. VENDORS WHO ARE BIDDING ALTERNATES SHOULD SO STATE AND INCLUDE PERTINENT LITERATURE AND SPECIFICATIONS. FAILURE TO PROVIDE INFORMATION FOR ANY ALTERNATES MAY BE GROUNDS FOR REJECTION OF THE BID. THE STATE RESERVES THE RIGHT TO WAIVE MINOR IRREGULARITIES IN BIDS OR SPECIFICATIONS IN ACCORDANCE WITH SECTION 148-1-4(F) OF THE WEST VIRGINIA LEGISLATIVE RULES AND REGULATIONS.</p> <p>VENDOR PREFERENCE CERTIFICATE</p> <p>THIS TEAM EXHIBIT HAS BEEN REPLACED BY THE ONLINE VERSION WHICH IS AVAILABLE HERE: HTTP://WWW.STATE.WV.US/ADMIN/PURCHASE/VRC/VENPREF.PDF</p> <p>NOTICE</p> <p>A SIGNED BID MUST BE SUBMITTED TO:</p>						

SEE REVERSE SIDE FOR TERMS AND CONDITIONS

SIGNATURE	TELEPHONE	DATE
TITLE	FEIN	ADDRESS CHANGES TO BE NOTED ABOVE

WHEN RESPONDING TO RFQ, INSERT NAME AND ADDRESS IN SPACE ABOVE LABELED 'VENDOR'



State of West Virginia
 Department of Administration
 Purchasing Division
 2019 Washington Street East
 Post Office Box 50130
 Charleston, WV 25305-0130

Request for Quotation

RFQ NUMBER: DJS010337

PAGE: 3

ADDRESS CORRESPONDENCE TO ATTENTION OF:
 TARA LYLE
 304-558-2544

RFQ COPY
 TYPE NAME/ADDRESS HERE

SHIP TO:

DIVISION OF JUVENILE SERVICES
 KENNETH HONEY RUBENSTEIN
 JUVENILE CENTER
 141 FORESTRY CAMP ROAD
 DAVIS, WV
 26260 304-259-2220

DATE PRINTED	TERMS OF SALE	SHIP VIA	FOB	FREIGHT TERMS
05/10/2011				

BID OPENING DATE: 06/07/2011 BID OPENING TIME 01:30PM

LINE	QUANTITY	UOP	CAT NO	ITEM NUMBER	UNIT PRICE	AMOUNT
DEPARTMENT OF ADMINISTRATION PURCHASING DIVISION BUILDING 15 2019 WASHINGTON STREET, EAST CHARLESTON, WV 25305-0130						
THE BID SHOULD CONTAIN THIS INFORMATION ON THE FACE OF THE ENVELOPE OR THE BID MAY NOT BE CONSIDERED:						
SEALED BID						
BUYER:-----TL/32-----						
RFQ. NO.:-----DJS010337-----						
BID OPENING DATE:-----06/07/2011-----						
BID OPENING TIME:-----1:30 PM-----						
PLEASE PROVIDE A FAX NUMBER IN CASE IT IS NECESSARY TO CONTACT YOU REGARDING YOUR BID:						
-----304 292-6641-----						
CONTACT PERSON (PLEASE PRINT CLEARLY):						
-----Steve Mathess-----						

SEE REVERSE SIDE FOR TERMS AND CONDITIONS

SIGNATURE	TELEPHONE	DATE
TITLE	FEIN	ADDRESS CHANGES TO BE NOTED ABOVE

WHEN RESPONDING TO RFQ, INSERT NAME AND ADDRESS IN SPACE ABOVE LABELED 'VENDOR'

DJS010337

The West Virginia Division of Juvenile Services is soliciting bid for a tractor and attachments to be used at the Rubenstein Center in Davis, WV.

Specifications**TRACTOR (JOHN DEERE 4120 OR EQUAL)****ENGINE**

- | | |
|---|---|
| • Engine 43.0 (31.6) per ISO 97/68/EC | Must be Diesel |
| • PTO HP (kW) gear transmission | 37.0 (27.6) per SAE |
| • PTO HP (kW) hydrostatic transmission: | 35.0 (26.1) per SAE |
| • Rated engine speed, rpm: | 2400 |
| • Operating range: | 950-2600 |
| • Aspiration: | Turbo |
| • Cylinders/displacement, cu. In (liters): | 4/ 148.9 (2.44) |
| • Cylinder liners: | Cast in block |
| • Bore and Stroke, mm (In.): | 86 x 105 (3.39 x 4.13) |
| • Compression ratio: | 20:1 |
| • Lubrication: | Pressurized |
| • Cooling system: | water pump |
| • Air cleaner: | dry type w/safety element and air restriction |
| • Engine shutoff: | Key switch |
| • Engine torque @ rated speed, ft./lb. (N/m): | 95.0 (128.8) |
| • Fuel tank cap., US Gal. (L) (Open;Cab): | Open-14.5 (54.9) |

ELECTRICAL

- | | |
|----------------------|---------|
| Type | 12 volt |
| • Battery size (CCA) | 770 |

FUEL SYSTEM

- | | |
|-----------------------------------|--------------------------|
| Type | Direct injection |
| • Injection pump type | In-line electric shutoff |
| • U.S. gal./hr (L/hr) @ 100% load | 2.46 (9.3) |

TRANSMISSION

- | | |
|--------------------------------------|------------------------|
| • Std. transmission; forward/reverse | PowerReverser; 12F/12R |
| • Opt. Transmission; forward/reverse | eHydro – 3 range |
| • Left-hand reverser | Yes |
| • On-the-go shifting | Yes |

• Direction reverser	Yes
• Final drive	Planetary
• Brakes	Wet disk
• Steering	Power steering
• Clutch; wet/dry	two wet multi-disk
• Clutch disk diameter, in. (mm) wet clutch	5.1 (130)
• Drawbar tongue weight capacity, lb. (kg)	1102 (500)
• Axle capacity (in operation)	
Front, lb. (kg)	3527 (1600) or total combined front tire capacity, whichever is less
Rear, lb. (kg)	5292 (2400)

HYDRAULICS

Type	Open Center
• Pump rated output, gpm (L/min.)	17.1 (64.6)
Steering	5.1 (19.3)
Implement	12 (45.3)
• Pump type	dual gear
• Maximum operating pressure (PSI)	2500
• Draft control type	position control
• Remote controls valves available	5

3-POINT HITCH

Type	Category 1
• Lift capacity (24-in. behind link arms)	2500 (1134)
• Lift capacity @ lift link ends, lb (kg)	3130 (1419)

POWER TAKE-OFF (PTO)

• Standard	rear @ 540 RPM
• Optional	mid @ 2100 RPM
• Control	independent
• Clutch	multi-disk, wet
• Brake (for mid and rear PTO)	multi-disk, wet

FLUID CAPACITIES

• Fuel tank, gal (l)	14.9 (54.9)
• Cooling system	6.4 (6.2)
• Crankcase with filter, qt	8 (7.5)
• Transmission & hydraulic system, gal. (l) gear	10.3 (38.9)
• Transmission & hydraulic system, gal. (l) hydrostatic	9.6 (36.1)
• Front axle gearcase (MFWD axle), Gal (l)	1.3 (5)

FINAL DRIVE

Type	Planetary
• Engage on-the-go rear differential lock	Yes

OPERATOR STATION

• Rollover Protective Structure Rigid, foldable, telescopic	OSHA, SAE, ASAE foldable
• Platform-flat/straddle	flat
• Gear shift location	Left hand side

SPECIFICATIONS FOR 400X LOADER, or equal**400X LOADER, JOHN DEERE OR EQUAL**

• At least 73 in. materials bucket	
• Bucket weight	238 (108)
• Lift capacity at full height, lb. (kg)	
Measured at pivot (U)	2368 (1074)
Measured at 500 mm ahead of pivot (V)	1742 (790)
• Lift capacity at 59 in (1500 mm), lb (kg)	
Measured at pivot (W)	2734 (1240)
Measured at 500 mm ahead of pivot (X)	2181 (981)
• Boom breakout force, lbf (kgf)	
Measured at pivot (Y)	3506 (1590.3)
Measured at 500 mm ahead of pivot (Z)	2641 (1198)
• Bucket rollback force capacity, lbf (kgf)	
At maximum height (VV)	1992 (904)
At 59-in (1500-mm) lift height (XX)	3262 (1480)
At ground level line (ZZ)	3273 (1485)

DIMENSIONS

• Maximum lift height, in (mm) (A)	112.8 (2864)
• Clearance	
At full height-bucket level, in. (mm) (B)	104.8 (2660)
At full height bucket dumped, in. (mm) (C)	89.2 (2267)
• Overall length (I+F), ft. (m)	11.316 (3,449)
• Overall height in carry position (J), ft. (m)	4.98 (1,518)
• Digging depth, in. (mm), (H)	6.6 (167)
• Reach	

At max. height, in. (mm), (D)	24.7 (628)
At ground level 0 bucket level, in. (mm), (F)	64.3 (1634)
• Bucket angle	
Dump angle, degrees (E)	46
• Rollback angle, degrees (G)	31
• Dump angle, ground	

SPECIFICATIONS FOR LOADER MOUNT SNOWBLOWER, or equal

FRONTIER SB2176 OR EQUAL

76 IN HYDRAULIC, 400 SERIES CARRIER LOADER MOUNT SNOWBLOWER WITH HYDRAULIC CHUTE ROTATION AND HP2134 HYDRAULIC POWER UN IT-U.S. SB2176 HYDRAULIC CHUTE DEFLECTION

• Working width	minimum of 76 in. (1.9 m)
• Working height	minimum of 27 in. (0.7 m)
• Auger diameter	minimum of 15 in. (0.4 m)
• Impeller diameter	minimum 24 in. (0.6 m)
• Impeller Width	minimum 8.5 in. (0.2 m)
• Number of impeller blades	minimum 4
• Impeller RPM	minimum 580 RPM (9.7 Hz)
• Auger RPM	minimum 185 RPM (3.1 Hz)
• Skid Shoe	Adjustable
• Skid shoe (material)	Steel
• End Plate Thickness	minimum 3/16 in. (0.5 mm)
• Fan blade thickness	minimum ¼ in. (6.4 mm)
• Chute diameter	minimum 12 in. (0.3 m)
• Chute type	Two part
• Parking stand	Standard
• Loader attachment carrier	Current 400 series
• PTO HP rating (min.)	35 HP minimum
• Snowblower weight (lbs.)	760 lbs. (with loader hitch)
• Chute Rotation	Standard hydraulic
• Hydraulic hoses and tips	Standards

Warranty:

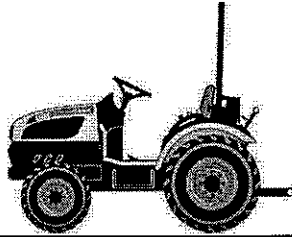
There will be a standard 2- year warranty on all parts and or labor for the tractor. Standard 1 year warranty will apply to snow blower and the loader. Vendor must supply all user guides and manuals.

Award:

Award will be based on low bidder meeting the specifications. There will be ***NO SPLIT*** award. Contractor must deliver tractor and all accessories/attachments within 30 days of Award.

CT450SST

COMPACT TRACTOR



STANDARD EQUIPMENT

- | | |
|---|--|
| <ul style="list-style-type: none"> Automatically Activated Glow Plugs Brakes, Wet Disc Cupholder Draw Bar, Swinging Dual Element Air Cleaner Electric Key Shutoff Front Wheel Assist Horn Hydraulic Power Steering and Tilt Adjustable Steering Wheel Hydraulic Three-Point Lift Control System Instrumentation: hourmeter, tachometer, engine temperature and fuel gauges, and warning lights Lights: headlights, tail lights, brake lights, hazard flashers and turn signals Parking Brake | <ul style="list-style-type: none"> Rear Differential Lock Rear PTO Rear Three-Point Hitch Return to Position ROPS – two-post, foldable* Safety Interlock System Throttle Pedal Spark Arrestor Muffler Suspension Seat, Vinyl, Adjustable (fore and aft) Seat Belt, retractable Three-Point Hitch, Category 1 Tires: Bobcat R1 Ag 8x16, 10 PR – Front; 13.6x24, 6 PR – Rear Transmission – Semi-Synchronized Gear with Shuttle Shift 12 forward and 12 Reverse Gears Warranty: 24 months or 2000 hours full coverage; 36 months or 2000 hours driveline |
|---|--|

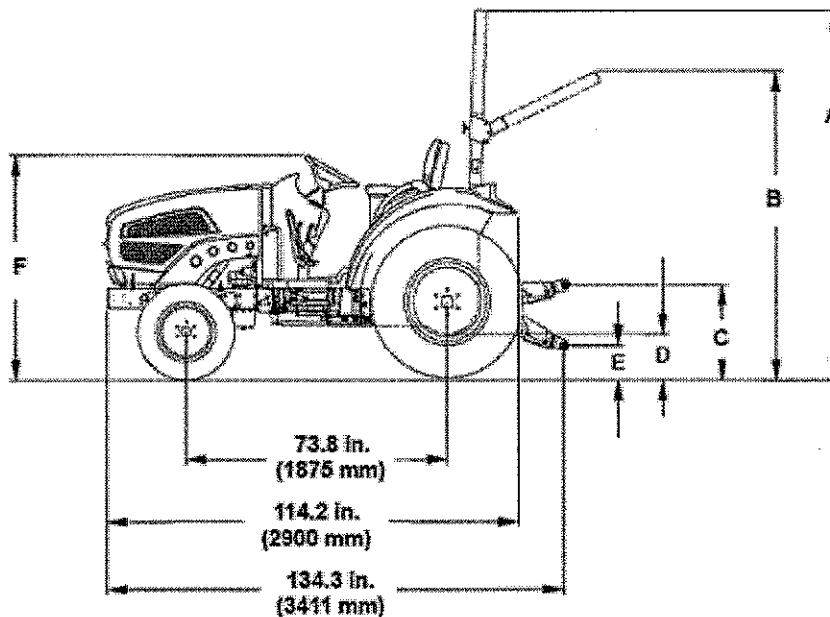
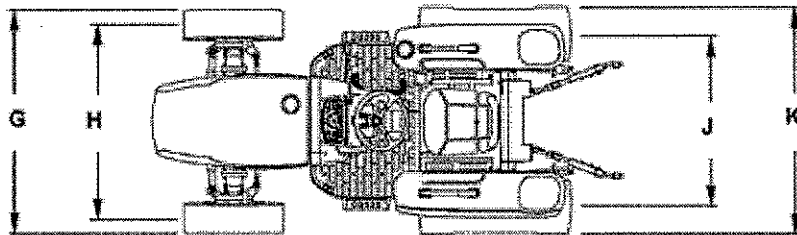
* Roll Over Protective Structure (ROPS) – Meets Requirements of ASABE S478 and OSHA 29 CFR Part 1928 Subpart C

QUICK SPECS

Engine – Interim Tier IV compliant	4B243LWM
Engine Fuel/Cooling.....	Diesel/Liquid
Engine Horsepower @ 2600 RPM	49 HP Gross
Engine Displacement.....	146.5 cu. in.
PTO Horsepower @ 2520 RPM	41 HP
PTO RPM.....	540
Mid-PTO RPM @ 2500 RPM (optional)	2000
Alternator Capacity	50 Amps
MaxTravel Speed (Forward)	15.7 MPH
MaxTravel Speed (Reverse)	14.0 MPH
Operating Weight (ROPS).....	3968 lbs.
Height with ROPS up	95.5 in.
Height with Cab.....	94.8 in.
Length with Three-Point hitch.....	134.3 in.
Wheelbase	73.8 in.
Minimum ground clearance.....	14 in.
Inside Turning Radius	132 in.
Fuel Tank Capacity.....	11.9 gal.
Three-Point Hitch Lift Capacity at 24 inches behind lift point with loader.....	1870 lbs. *
Hydraulic Pump Flow.....	16.1 GPM
Implement Flow	9.5 GPM
Steering Flow	6.6 GPM

* With front end loader installed (used as front ballast)

CT450SST COMPACT TRACTOR SPECIFICATIONS

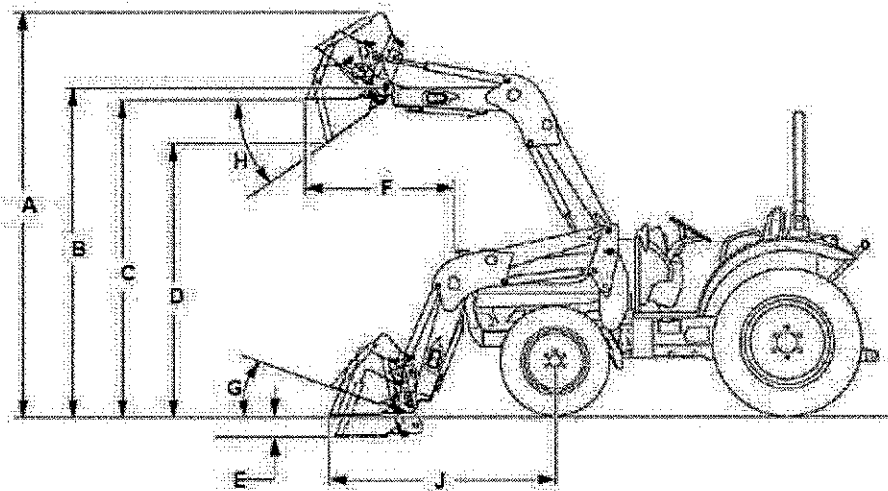
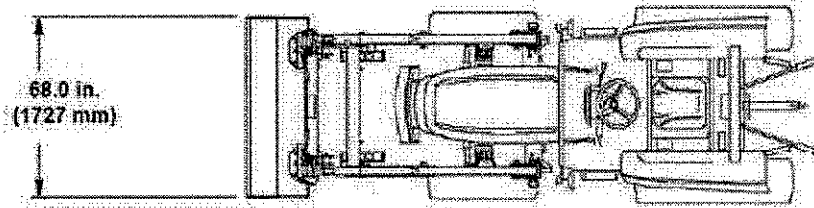


DIMENSIONS

	Ag Tires	General Purpose	Turf Tire
A. Overall Height with ROPS up	95.5 in. (2426 mm)	95.6 in. (2428 mm)	92.4 in. (2437 mm)
B. Overall Height with ROPS down	83.9 in. (2131 mm)	84.0 in. (2134 mm)	80.8 in. (2052 mm)
C. 3-Point Hitch Max Height	34.0 in. (864 mm)	34.1 in. (866 mm)	30.9 in. (786 mm)
D. Ground clearance without Mid-PTO .	14.2 in. (361 mm)	15.1 in. (384 mm)	12.9 in. (328 mm)
Ground clearance with Mid-PTO	12.4 in. (315 mm)	13.3 in. (338 mm)	11.1 in. (282 mm)
E. 3-Point Hitch Low Height	6.5 in. (165 mm)	6.6 in. (168 mm)	3.4 in. (86 mm)
F. Steering Wheel Height	63.3 in. (1608 mm)	63.4 in. (1610 mm)	60.2 in. (1529 mm)
G. Overall Width - Front Tires	57.9 in. (1471 mm)	63.5 in. (1613 mm)	67.8 in. (1722 mm)
H. Tread Width - Front Tires	49.9 in. (1267 mm)	52.6 in. (1336 mm)	55.5 in. (1410 mm)
J. Tread Width - Rear Tires	55.4 in. (1407 mm)	55.4 in. (1407 mm)	59.6 in. (1514 mm)
K. Overall Width - Rear Tires	70.2 in. (1783 mm)	70.6 in. (1793 mm)	79.8 in. (2027 mm)
Inside Turning Radius	134.0 in. (3404 mm)	134.0 in. (3404 mm)	134.0 in. (3404 mm)

DIMENSIONS

With Optional Loader, S/N AL4E00101 & Above and AKPM0010 & Above



Ag Tires

General Purpose

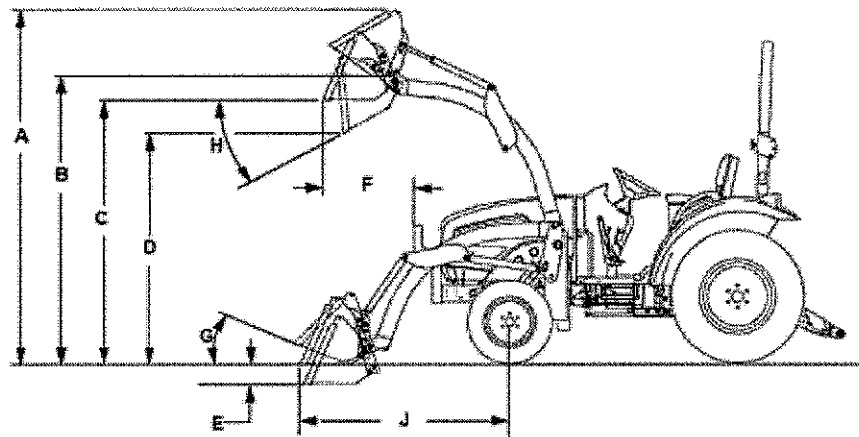
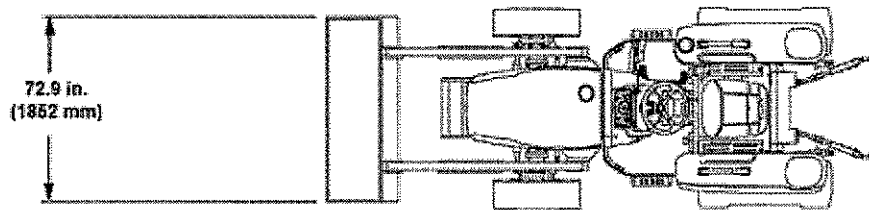
Turf Tire

A. Maximum Operating Height	132.4 in. (3363 mm)	132.2 in. (3358 mm)	131.7 in. (3345 mm)
with Bob-Tach	134.7 in. (3421 mm)	134.5 in. (3416 mm)	134.0 in. (3404 mm)
B. Height at Hinge Pin	111.7 in. (2837 mm)	111.5 in. (2832 mm)	111.0 in. (2819 mm)
with Bob-Tach	111.7 in. (2837 mm)	111.5 in. (2832 mm)	111.0 in. (2819 mm)
C. Maximum Cutting Edge Height	105.6 in. (2682 mm)	105.4 in. (2677 mm)	104.9 in. (2664 mm)
with Bob-Tach	105.5 in. (2680 mm)	105.3 in. (2675 mm)	104.8 in. (2662 mm)
D. Cutting Edge	91.2 in. (2316 mm)	91.0 in. (2311 mm)	90.5 in. (2299 mm)
with Bob-Tach	91.8 in. (2332 mm)	91.6 in. (2327 mm)	91.1 in. (2314 mm)
E. Maximum Dig Depth	5.9 in. (150 mm)	6.1 in. (155 mm)	6.6 in. (168 mm)
with Bob-Tach	6.1 in. (155 mm)	6.3 in. (160 mm)	6.8 in. (173 mm)
F. Reach	40.0 in. (1016 mm)	40.0 in. (1016 mm)	40.0 in. (1016 mm)
with Bob-Tach	35.0 in. (889 mm)	35.0 in. (889 mm)	35.0 in. (889 mm)
G. Rollback / Pivot	27 degrees	27 degrees	27 degrees
with Bob-Tach	32 degrees	32 degrees	32 degrees
H. Rollout	40 degrees	40 degrees	40 degrees
with Bob-Tach	35 degrees	35 degrees	35 degrees
J. Front Axle to Cutting Edge	69.3 in. (1760 mm)	69.3 in. (1760 mm)	69.3 in. (1760 mm)
with Bob-Tach	71.0 in. (1803 mm)	71.0 in. (1803 mm)	71.0 in. (1803 mm)

DIMENSIONS

With Optional Loader, S/N AE3C00101 & Above

Dimensions shown for PIN-ON Bucket ONLY



	<u>Ag Tires</u>	<u>General Purpose</u>	<u>Turf Tire</u>
A. Maximum Operating Height	136.4 in. (3465 mm)	136.5 in. (3467 mm)	133.3 in. (3386 mm)
B. Height at Hinge Pin	112.1 in. (2847 mm)	112.2 in. (2850 mm)	109.0 in. (2769 mm)
C. Maximum Cutting Edge Height	105.9 in. (2690 mm)	106.0 in. (2692 mm)	102.8 in. (2611 mm)
D. Cutting Edge	90.8 in. (2306 mm)	90.9 in. (2309 mm)	87.7 in. (2228 mm)
E. Maximum Dig Depth	6.0 in. (152 mm)	5.9 in. (150 mm)	9.1 in. (231 mm)
F. Reach	18.3 in. (465 mm)	18.3 in. (465 mm)	18.3 in. (465 mm)
G. Rollback / Pivot	23 degrees	23 degrees	23 degrees
H. Rollout	46 degrees	46 degrees	46 degrees
J. Front Axle to Cutting Edge	66.5 in. (1689 mm)	66.5 in. (1689 mm)	66.5 in. (1689 mm)

THREE-POINT, PTO & HYDRAULICS

PTO Horsepower	41.0 HP (30.6 kW)
Three-Point Hitch	Category 1
Lift Control Type	Hydraulic Position Control System
Rear PTO	540 RPM
Rear PTO System	Live
Mid-PTO (optional)	2000 RPM
Rear Hydraulics (optional)	Single or Dual
Telescopic Stabilizers	Standard
Lower Links	Telescopic
Lifting Rod	Crank

ENGINE/ELECTRICAL

Make/Model	Daedong 4B243LWM
Fuel/Cooling	Diesel/Liquid
Emissions Tier (EPA)	Interim Tier IV
Horsepower	49.0 HP (36.5 kW)
Rated RPM	2600 RPM
Displacement	148.6 in. ³ (2.4 L)
Number of Cylinders	4
Bore/Stroke	3.42/4.03 in. (87.0/102.4 mm)
Lubrication	Pressure System with Filter
Crankcase Ventilation	Closed Breathing
Air Cleaner	Dry replaceable cartridge (dual element)
Ignition	Compression (Diesel)
Engine Coolant	Ethylene glycol/water mix (50%-50%) with freeze protection to -34°F (-37°C)
Starting Aid	Automatic Glow Plugs, key activated
Alternator	50 amps, belt driven
Battery	12 volt; 600 cold cranking amps @ 0°F (-18°C)
Starter	12 volt, 2.28 HP (1.7 kW) gear reduction

DRIVE TRAIN

Main Drive	Gear 4-wheel drive (rear wheel drive with front wheel assist)
Transmission	Semi-Synchronized with Shuttle Shift
Final Drive	Front and rear differentials
Differential	Open differentials provided in both axles; rear axle includes pedal-activated differential lock
Brake Type	Wet disc

CAPACITIES

Fuel Tank	11.9 gals. (45.0 L)
Engine Lubrication & Filter	8.1 qts. (8.0 L)
Engine Cooling System	9.4 qts. (8.7 L)
Hydraulic/Hydrostatic Transmission Reservoir	13.7 gals. (51.9 L)
Front Axle (each)	8.0 qts. (7.6 L)

HYDRAULIC SYSTEM

Pump Type Two engine-driven gear type pumps
 Hydraulic Pump Capacity 16.1 GPM (61.0 L/min.) @ 2600 RPM
 Steering Pump 6.6 GPM (25.0 L/min.) @ 2600 RPM
 Implement Pump 9.5 GPM (36.0 L/min.) @ 2600 RPM
 System Relief 2560 PSI (177 bar)
 Hydraulic Filter Full flow replaceable spin on
 Steering Cylinder Single Acting
 Fluid Type Transmission/Differential
 Control Valve
 Loader (if equipped) Joystick control lever operated, open center, series type with float detent on lift
 Rear Remote Auxiliary Hydraulic (if equipped) Lever(s) operated, full flow detent, open center, series type

PERFORMANCE

Operating Weight 3968 lbs. (1800 kg)

Max Travel Speed (Gear)	First	Second	Third	Fourth
Low Range <i>mph(kmph)</i>	0.91 (1.5)	1.28 (2.1)	1.64 (2.6)	2.23 (3.6)
Medium Range <i>mph(kmph)</i>	2.33 (3.8)	3.26 (5.2)	4.19 (6.7)	5.69 (9.2)
High Range <i>mph(kmph)</i>	6.45 (10.4)	9.01 (14.5)	11.57 (18.6)	15.71 (25.3)
Reverse <i>mph(kmph)</i>	5.73 (9.2)	8.00 (12.9)	10.28 (16.5)	13.96 (22.5)

Three-Point Hitch Lift Capacity (with NO front ballast)
 measured at 24 in. (610 mm) 1012 lb. (459 kg)
 Three-Point Hitch Lift Capacity (with Front Ballast Weight)
 measured at 24 in. (610 mm) 1430 lb. (648 kg)
 Three-Point Hitch Lift Capacity (with Front End Loader)
 measured at 24 in. (610 mm) 1870 lb. (848 kg)
 Front Ballast Kit Weight 300 lb. (136 kg)
 Maximum Drawbar Tongue Weight 1433 lb. (650 kg)
 Tow Weight 7716 lb. (3500 kg)

LOADER

	With Bucket AL4C00101 & Above AKP600101 & Above		With Bucket A90Y00101 & Above	
	Pin-On	Bob-Tach	Pin-On	Bob-Tach
Bucket Weight	264 lb. (120 kg)	280 lb. (127 kg)	265 lb. (120 kg)	268 lb. (122 kg)
Rear Ballast Weight	1110 lb. (503 kg)	1110 lb. (503 kg)	1110 lb. (503 kg)	1110 lb. (503 kg)
Loader Lift Capacity at full height				
measured at bucket pivot	2713 lb. (1231 kg)	2655 lb. (1204 kg)	2600 lb. (1179 kg)	2450 lb. (1111 kg)
measured at 500 mm from pivot	2030 lb. (921 kg)	1950 lb. (885 kg)	2050 lb. (930 kg)	1900 lb. (862 kg)
Loader Lift Capacity at 59 in.				
measured at bucket pivot	3191 lb. (1447 kg)	3057 lb. (1387 kg)	N/A	N/A
measured at 500 mm from pivot	2537 lb. (1151 kg)	2392 lb. (1085 kg)	N/A	N/A
Boom Breakout Force				
measured at bucket pivot	4090 lb. (1855 kg)	4063 lb. (1843 kg)	N/A	N/A
measured at 500 mm from pivot	3028 lb. (1373 kg)	2919 lb. (1324 kg)	N/A	N/A
Bucket Rollback Force				
measured at max lift height	3002 lb. (1362 kg)	2819 lb. (1279 kg)	N/A	N/A
measured at 59 in.	3599 lb. (1632 kg)	3411 lb. (1547 kg)	N/A	N/A
measured at ground level	2622 lb. (1189 kg)	2336 lb. (1060 kg)	N/A	N/A
Weight of Loader & Bucket	863 lb. (391 kg)	985 lb. (447 kg)	884 lb. (401 kg)	1016 lb. (461 kg)

CONTROLS

- Steering Steering wheel
- Transmission Semi-Synchronized with Shuttle Shift
- Speed Range Controlled by range lever, main gear lever and Shuttle Shift
- Loader Hydraulics (if equipped)
 - Lift & Tilt Joystick control lever
- PTO (if equipped) Push button on right dash
- Engine Hand lever engine speed control; key-type starter switch
- Starting Aid Automatic Glow Plugs - key activated
- Brake Pedals Two foot pedals activate two wet discs
- Parking Brake Lever activated with brake pedals engaged

INSTRUMENTATION

Compact tractor conditions are monitored by a combination of gauges and indicators in the operator's line of sight that monitor the following areas.

<u>Gauges</u>	<u>Indicators</u>	
Engine Coolant Temp	Battery Voltage	Parking Brake
Fuel Gauge	Engine Oil Pressure	PTO Activation
Hourmeter	Glow Plugs Activated	Turn Signals
Tachometer	High Beam Indicator	

SERVICEABILITY

Access is available to the following through the engine hood and access panels:

- Air Cleaner- Standard Dual element
- Alternator
- Cooling system (radiator with slide out screens and hydraulic oil cooler)
- Engine oil filter
- Engine oil fill
- Engine oil dipstick
- Fuel filter
- Fuse/relay center
- Starter

Hood is held open with gas shock while servicing
 Easy Access to all grease points

SAFETY

- Backup Alarm (Optional) Alarm sounds when compact tractor is driven in reverse
- Grab Handles (Standard) Used for entering and exiting the compact tractor
- Operator's Handbook (Standard) Weather resistant operator handbook written in English will be attached to inside of cab, providing operational and maintenance instructions
- PTO Shield (Standard) Installed for Rear-PTO
- Parking Brake (Standard) Always engage brake when exiting compact tractor
- ROPS - 2-Post, Foldable (Standard) Use in the up and locked position with the seat belt fastened
- Safety Interlock System (Standard) Neutral Start and Operating Interlocks
- Safety Signs/Decals (Standard) Identify hazards and provide operational and maintenance instructions
- Seat Belt (Standard) Should always be worn when operating the compact tractor with ROPS up and locked

STANDARD FEATURES

Automatically Activated Glow Plugs
 Brakes, Wet Disc
 Cupholder
 Draw Bar, Swinging
 Dual Element Air Cleaner
 Electric Key Shutoff
 Front Wheel Assist
 Horn
 Hydraulic Power Steering
 Hydraulic Three-Point Lift Control System
 Instrumentation: Hourmeter, tachometer, engine temperature, fuel gauges, and warning lights
 Lights: headlights, tail lights, brake lights, hazard flashers and turn signals
 Parking Brake
 PTO Shield
 Rear Differential Lock
 Rear PTO
 Rear Three-Point Hitch Return to Position
 ROPS – two-post, foldable *
 Safety Interlock System
 Seat Belt, retractable
 Spark Arrestor Muffler
 Steering Wheel, tilt adjustable
 Suspension Seat, vinyl, fully adjustable
 Three-Point Hitch, Category 1
 Tires: Bobcat R1 Ag
 8-16, 10 Ply – Front;
 13.6-24, 6 Ply – Rear
 Toolbox
 Transmission, Hydrostatic Drive;
 Three-Speed Range Lever
 Travel Control Pedals, Dual
 Warranty: 24 months or 2000 hours full coverage;
 36 months or 2000 hours driveline

* Roll Over Protective Structure (ROPS) - Meets Requirements of ASABE S478 and OSHA 29 CFR Part 1928 Subpart C

FACTORY OPTIONS

Loader Joystick & Control valve
 Tires:
 Bobcat R2 General Purpose
 10-16.5, 6 Ply – Front;
 14.9-24, 8 Ply – Rear
 Bobcat R3 Turf
 29x12.5-15, 8 Ply – Front;
 21.5Lx16.1, 4 Ply – Rear

ACCESSORIES

Loader Joystick & Control valve
 Locking Fuel Cap Kit
 Mid PTO
 Rear Hydraulic Valve (0 to 1)
 (Includes one rear hydraulic valve and one set of hydraulic couplers)
 Rear Hydraulic Valve (0 to 2)
 (Includes one rear hydraulic valve and two sets of hydraulic couplers)
 Rear Hydraulic Valve (1 to 2)
 (Adds an additional rear hydraulic valve and hydraulic couplers to the existing set. Includes rear hydraulic valve and one set of hydraulic couplers)
 Rear Working Light
 Side Mirror
 Slow Moving Vehicle Emblem & Bracket
 Sunshade

ATTACHMENTS

Front End Loader
 with Pin-On Bucket: 68"
 with Bob-Tach Buckets: 68" and 72"
 Grapple: 55"
 Pallet Fork: 42" and 48"
 Snow Blade: 60", 72", 84" and 96"

IMPLEMENTS

Angle Blade: 84", and 96"
 Backhoe 7TB and 8TB
 with Trenching Buckets: 9", 12" 16"
 Box Blade: 72", 84", 72" HD, and 84" HD
 Finish Mower: 72" and 84"
 Snow Blower: 66", and 72"
 Tine Rake: 84" and 96"

Rev. 09/08

State of West Virginia
VENDOR PREFERENCE CERTIFICATE

Certification and application* is hereby made for Preference in accordance with *West Virginia Code*, §5A-3-37. (Does not apply to construction contracts). *West Virginia Code*, §5A-3-37, provides an opportunity for qualifying vendors to request (at the time of bid) preference for their residency status. Such preference is an evaluation method only and will be applied only to the cost bid in accordance with the *West Virginia Code*. This certificate for application is to be used to request such preference. The Purchasing Division will make the determination of the Resident Vendor Preference, if applicable.

1. **Application is made for 2.5% resident vendor preference for the reason checked:**
 Bidder is an individual resident vendor and has resided continuously in West Virginia for four (4) years immediately preceding the date of this certification; or,
 Bidder is a partnership, association or corporation resident vendor and has maintained its headquarters or principal place of business continuously in West Virginia for four (4) years immediately preceding the date of this certification; or 80% of the ownership interest of Bidder is held by another individual, partnership, association or corporation resident vendor who has maintained its headquarters or principal place of business continuously in West Virginia for four (4) years immediately preceding the date of this certification; or,
 Bidder is a nonresident vendor which has an affiliate or subsidiary which employs a minimum of one hundred state residents and which has maintained its headquarters or principal place of business within West Virginia continuously for the four (4) years immediately preceding the date of this certification; or,
2. **Application is made for 2.5% resident vendor preference for the reason checked:**
 Bidder is a resident vendor who certifies that, during the life of the contract, on average at least 75% of the employees working on the project being bid are residents of West Virginia who have resided in the state continuously for the two years immediately preceding submission of this bid; or,
3. **Application is made for 2.5% resident vendor preference for the reason checked:**
 Bidder is a nonresident vendor employing a minimum of one hundred state residents or is a nonresident vendor with an affiliate or subsidiary which maintains its headquarters or principal place of business within West Virginia employing a minimum of one hundred state residents who certifies that, during the life of the contract, on average at least 75% of the employees or Bidder's affiliate's or subsidiary's employees are residents of West Virginia who have resided in the state continuously for the two years immediately preceding submission of this bid; or,
4. **Application is made for 5% resident vendor preference for the reason checked:**
 Bidder meets either the requirement of both subdivisions (1) and (2) or subdivision (1) and (3) as stated above; or,
5. **Application is made for 3.5% resident vendor preference who is a veteran for the reason checked:**
 Bidder is an individual resident vendor who is a veteran of the United States armed forces, the reserves or the National Guard and has resided in West Virginia continuously for the four years immediately preceding the date on which the bid is submitted; or,
6. **Application is made for 3.5% resident vendor preference who is a veteran for the reason checked:**
 Bidder is a resident vendor who is a veteran of the United States armed forces, the reserves or the National Guard, if, for purposes of producing or distributing the commodities or completing the project which is the subject of the vendor's bid and continuously over the entire term of the project, on average at least seventy-five percent of the vendor's employees are residents of West Virginia who have resided in the state continuously for the two immediately preceding years.

Bidder understands if the Secretary of Revenue determines that a Bidder receiving preference has failed to continue to meet the requirements for such preference, the Secretary may order the Director of Purchasing to: (a) reject the bid; or (b) assess a penalty against such Bidder in an amount not to exceed 5% of the bid amount and that such penalty will be paid to the contracting agency or deducted from any unpaid balance on the contract or purchase order.

By submission of this certificate, Bidder agrees to disclose any reasonably requested information to the Purchasing Division and authorizes the Department of Revenue to disclose to the Director of Purchasing appropriate information verifying that Bidder has paid the required business taxes, provided that such information does not contain the amounts of taxes paid nor any other information deemed by the Tax Commissioner to be confidential.

Under penalty of law for false swearing (*West Virginia Code*, §61-5-3), Bidder hereby certifies that this certificate is true and accurate in all respects; and that if a contract is issued to Bidder and if anything contained within this certificate changes during the term of the contract, Bidder will notify the Purchasing Division in writing immediately.

Bidder: LH Jones Equipment Signed: [Signature]
 Date: 6/3/11 Title: Inside Sales

*Check any combination of preference consideration(s) indicated above, which you are entitled to receive.

RFQ No. _____

STATE OF WEST VIRGINIA
Purchasing Division

PURCHASING AFFIDAVIT

West Virginia Code §5A-3-10a states: No contract or renewal of any contract may be awarded by the state or any of its political subdivisions to any vendor or prospective vendor when the vendor or prospective vendor or a related party to the vendor or prospective vendor is a debtor and the debt owed is an amount greater than one thousand dollars in the aggregate.

DEFINITIONS:

"Debt" means any assessment, premium, penalty, fine, tax or other amount of money owed to the state or any of its political subdivisions because of a judgment, fine, permit violation, license assessment, defaulted workers' compensation premium, penalty or other assessment presently delinquent or due and required to be paid to the state or any of its political subdivisions, including any interest or additional penalties accrued thereon.

"Debtor" means any individual, corporation, partnership, association, limited liability company or any other form or business association owing a debt to the state or any of its political subdivisions. "Political subdivision" means any county commission; municipality; county board of education; any instrumentality established by a county or municipality; any separate corporation or instrumentality established by one or more counties or municipalities, as permitted by law; or any public body charged by law with the performance of a government function or whose jurisdiction is coextensive with one or more counties or municipalities. "Related party" means a party, whether an individual, corporation, partnership, association, limited liability company or any other form or business association or other entity whatsoever, related to any vendor by blood, marriage, ownership or contract through which the party has a relationship of ownership or other interest with the vendor so that the party will actually or by effect receive or control a portion of the benefit, profit or other consideration from performance of a vendor contract with the party receiving an amount that meets or exceeds five percent of the total contract amount.

EXCEPTION: The prohibition of this section does not apply where a vendor has contested any tax administered pursuant to chapter eleven of this code, workers' compensation premium, permit fee or environmental fee or assessment and the matter has not become final or where the vendor has entered into a payment plan or agreement and the vendor is not in default of any of the provisions of such plan or agreement.

Under penalty of law for false swearing (*West Virginia Code §61-5-3*), it is hereby certified that the vendor affirms and acknowledges the information in this affidavit and is in compliance with the requirements as stated.

WITNESS THE FOLLOWING SIGNATURE

Vendor's Name: LH Jones Equipment

Authorized Signature: [Signature] Date: 6/3/11

State of West Virginia

County of Monongalia, to-wit:

Taken, subscribed, and sworn to before me this 3 day of June, 2011.

My Commission expires March 29, 2016.

AFFIX SEAL HERE

NOTARY PUBLIC [Signature]

