



State of West Virginia
 Department of Administration
 Purchasing Division
 2019 Washington Street East
 Post Office Box 50130
 Charleston, WV 25305-0130

Request for Quotation

RFC NUMBER
 6611C019

PAGE
 1

ADDRESS CORRESPONDENCE TO ATTENTION OF:
 BUYER 33
 304-558-2402

PROPERTY

*310143042 320-834-2595
 VARITECH INDUSTRIES INC
 PO BOX 457
 ALEXANDRIA MN 56308-0457

SHIP TO

DIVISION OF HIGHWAYS
 JOBSITE
 SEE SPECIFICATIONS

ORIGINAL

DATE PRINTED	TERMS OF SALE	SHIP VIA	FOB	FREIGHT TERMS
12/29/2010				

BID OPENING DATE: 02/08/2011 BID OPENING TIME 01:30PM

LINE	QUANTITY	UOP	CAT NO.	ITEM NUMBER	UNIT PRICE	AMOUNT
0001	1	EA		830-43	See Bid Sheets	
<p>POLYETHYLENE BRINE STORAGE TANKS</p> <p>REQUEST FOR QUOTATION (RFQ) OPEN END CONTRACT</p> <p>THE WEST VIRGINIA STATE PURCHASING DIVISION FOR THE AGENCY, THE WEST VIRGINIA DIVISION OF HIGHWAYS, IS SOLICITING BIDS FOR AN OPEN END CONTRACT TO PROVIDE EQUIPMENT, MATERIALS, LABOR AND ASSEMBLY OF BRINE STORAGE TANKS PER THE ATTACHED SPECIFICATIONS.</p> <p>TECHNICAL QUESTIONS CONCERNING THIS SOLICITATION MUST BE SUBMITTED IN WRITING TO SHERI SLONE IN THE WEST VIRGINIA STATE PURCHASING DIVISION VIA MAIL AT THE ADDRESS SHOWN IN THE BODY OF THIS RFQ, VIA FAX AT 304-558-2596, OR VIA EMAIL AT SHERI.D.SLONE@WV.GOV. DEADLINE FOR ALL TECHNICAL QUESTIONS IS 01/21/2011 AT THE CLOSE OF BUSINESS. ANY TECHNICAL QUESTIONS RECEIVED WILL BE ANSWERED BY FORMAL ADDENDUM TO BE ISSUED BY THE PURCHASING DIVISION AFTER THE DEADLINE HAS LAPSED.</p> <p>EXHIBIT 10</p> <p>ADDENDUM ACKNOWLEDGEMENT</p>						

REQUISITION NO.: 6611C019

RECEIVED

2011 FEB - 8 A 10:10

PURCHASING DIVISION
 STATE OF WV

SEE REVERSE SIDE FOR TERMS AND CONDITIONS			
SIGNATURE <i>[Signature]</i>	TELEPHONE 888-208-0686	DATE 2-4-11	
TITLE Central Sales	FEIN 41-1557096	ADDRESS CHANGES TO BE NOTED ABOVE	

WHEN RESPONDING TO RFQ, INSERT NAME AND ADDRESS IN SPACE ABOVE LABELED 'VENDOR'

GENERAL TERMS & CONDITIONS
REQUEST FOR QUOTATION (RFQ) AND REQUEST FOR PROPOSAL (RFP)

1. Awards will be made in the best interest of the State of West Virginia.
 2. The State may accept or reject in part, or in whole, any bid.
 3. Prior to any award, the apparent successful vendor must be properly registered with the Purchasing Division and have paid the required \$125 fee.
 4. All services performed or goods delivered under State Purchase Order/Contracts are to be continued for the term of the Purchase Order/Contracts, contingent upon funds being appropriated by the Legislature or otherwise being made available. In the event funds are not appropriated or otherwise available for these services or goods this Purchase Order/Contract becomes void and of no effect after June 30.
 5. Payment may only be made after the delivery and acceptance of goods or services.
 6. Interest may be paid for late payment in accordance with the *West Virginia Code*.
 7. Vendor preference will be granted upon written request in accordance with the *West Virginia Code*.
 8. The State of West Virginia is exempt from federal and state taxes and will not pay or reimburse such taxes.
 9. The Director of Purchasing may cancel any Purchase Order/Contract upon 30 days written notice to the seller.
 10. The laws of the State of West Virginia and the *Legislative Rules* of the Purchasing Division shall govern the purchasing process.
 11. Any reference to automatic renewal is hereby deleted. The Contract may be renewed only upon mutual written agreement of the parties.
 12. **BANKRUPTCY:** In the event the vendor/contractor files for bankruptcy protection, the State may deem this contract null and void, and terminate such contract without further order.
 13. **HIPAA BUSINESS ASSOCIATE ADDENDUM:** The West Virginia State Government HIPAA Business Associate Addendum (BAA); approved by the Attorney General, is available online at www.state.wv.us/admin/purchase/vrc/hipaa.htm and is hereby made part of the agreement. Provided that the Agency meets the definition of a Cover Entity (45 CFR §160.103) and will be disclosing Protected Health Information (45 CFR §160.103) to the vendor.
 14. **CONFIDENTIALITY:** The vendor agrees that he or she will not disclose to anyone, directly or indirectly, any such personally identifiable information or other confidential information gained from the agency, unless the individual who is the subject of the information consents to the disclosure in writing or the disclosure is made pursuant to the agency's policies, procedures, and rules. Vendor further agrees to comply with the Confidentiality Policies and Information Security Accountability Requirements, set forth in <http://www.state.wv.us/admin/purchase/privacy/noticeConfidentiality.pdf>.
 15. **LICENSING:** Vendors must be licensed and in good standing in accordance with any and all state and local laws and requirements by any state or local agency of West Virginia, including, but not limited to, the West Virginia Secretary of State's Office, the West Virginia Tax Department, and the West Virginia Insurance Commission. The vendor must provide all necessary releases to obtain information to enable the director or spending unit to verify that the vendor is licensed and in good standing with the above entities.
 16. **ANTITRUST:** In submitting a bid to any agency for the State of West Virginia, the bidder offers and agrees that if the bid is accepted the bidder will convey, sell, assign or transfer to the State of West Virginia all rights, title and interest in and to all causes of action it may now or hereafter acquire under the antitrust laws of the United States and the State of West Virginia for price fixing and/or unreasonable restraints of trade relating to the particular commodities or services purchased or acquired by the State of West Virginia. Such assignment shall be made and become effective at the time the purchasing agency tenders the initial payment to the bidder.
- I certify that this bid is made without prior understanding, agreement, or connection with any corporation, firm, limited liability company, partnership, or person or entity submitting a bid for the same material, supplies, equipment or services and is in all respects fair and without collusion or Fraud. I further certify that I am authorized to sign the certification on behalf of the bidder or this bid.

INSTRUCTIONS TO BIDDERS

1. Use the quotation forms provided by the Purchasing Division. Complete all sections of the quotation form.
2. Items offered must be in compliance with the specifications. Any deviation from the specifications must be clearly indicated by the bidder. Alternates offered by the bidder as **EQUAL** to the specifications must be clearly defined. A bidder offering an alternate should attach complete specifications and literature to the bid. The Purchasing Division may waive minor deviations to specifications.
3. Unit prices shall prevail in case of discrepancy. All quotations are considered F.O.B. destination unless alternate shipping terms are clearly identified in the quotation.
4. All quotations must be delivered by the bidder to the office listed below prior to the date and time of the bid opening. Failure of the bidder to deliver the quotations on time will result in bid disqualifications: Department of Administration, Purchasing Division, 2019 Washington Street East, P.O. Box 50130, Charleston, WV 25305-0130
5. Communication during the solicitation, bid, evaluation or award periods, except through the Purchasing Division, is strictly prohibited (W.Va. C.S.R. §148-1-6.6).



State of West Virginia
 Department of Administration
 Purchasing Division
 2019 Washington Street East
 Post Office Box 50130
 Charleston, WV 25305-0130

Request for Quotation

RFQ NUMBER
6611C019

PAGE
2

ADDRESS CORRESPONDENCE TO ATTENTION OF:
BUYER 33 304-558-2402

VENDOR	*310143042 320-834-2595 VARITECH INDUSTRIES INC PO BOX 457 ALEXANDRIA MN 56308-0457	SHIP TO
--------	---	---------

DIVISION OF HIGHWAYS
 JOBSITE
 SEE SPECIFICATIONS

DATE PRINTED 12/29/2010	TERMS OF SALE	SHIP VIA	F.O.B.	FREIGHT TERMS
----------------------------	---------------	----------	--------	---------------

BID OPENING DATE: 02/08/2011 BID OPENING TIME 01:30PM

LINE	QUANTITY	UOP	CAT. NO.	ITEM NUMBER	UNIT PRICE	AMOUNT
<p>I HEREBY ACKNOWLEDGE RECEIPT OF THE FOLLOWING CHECKED ADDENDUM(S) AND HAVE MADE THE NECESSARY REVISIONS TO MY PROPOSAL, PLANS AND/OR SPECIFICATION, ETC.</p> <p>ADDENDUM NO.'S:</p> <p>NO. 1 ... <i>N/A</i> ...</p> <p>NO. 2</p> <p>NO. 3</p> <p>NO. 4</p> <p>NO. 5</p> <p>I UNDERSTAND THAT FAILURE TO CONFIRM THE RECEIPT OF THE ADDENDUM(S) MAY BE CAUSE FOR REJECTION OF BIDS.</p> <p>VENDOR MUST CLEARLY UNDERSTAND THAT ANY VERBAL REPRESENTATION MADE OR ASSUMED TO BE MADE DURING ANY ORAL DISCUSSION HELD BETWEEN VENDOR'S REPRESENTATIVES AND ANY STATE PERSONNEL IS NOT BINDING. ONLY THE INFORMATION ISSUED IN WRITING AND ADDED TO THE SPECIFICATIONS BY AN OFFICIAL ADDENDUM IS BINDING.</p> <p style="text-align: right;"> SIGNATURE VariTech Industries Inc. COMPANY Feb. 4, 2011 DATE </p>						

SEE REVERSE SIDE FOR TERMS AND CONDITIONS		
SIGNATURE 	TELEPHONE 888-208-0686	DATE 2-4-11
TITLE Central Sales	FEIN 41-1557096	ADDRESS CHANGES TO BE NOTED ABOVE

WHEN RESPONDING TO RFQ, INSERT NAME AND ADDRESS IN SPACE ABOVE LABELED 'VENDOR'



State of West Virginia
 Department of Administration
 Purchasing Division
 2019 Washington Street East
 Post Office Box 50130
 Charleston, WV 25305-0130

Request for Quotation

RFQ NUMBER
6611C019

PAGE
3

ADDRESS CORRESPONDENCE TO ATTENTION OF:
BUYER 33 304-558-2402

PROPERTY OFFICER

*310143042 320-834-2595
 VARITECH INDUSTRIES INC
 PO BOX 457

 ALEXANDRIA MN 56308-0457

SHIP TO

DIVISION OF HIGHWAYS
 JOBSITE
 SEE SPECIFICATIONS

DATE PRINTED	TERMS OF SALE	SHIP VIA	F.O.B	FREIGHT TERMS
12/29/2010				

BID OPENING DATE: 02/08/2011 BID OPENING TIME 01:30PM

LINE	QUANTITY	UOP	CAT NO	ITEM NUMBER	UNIT PRICE	AMOUNT
<p>NOTE: THIS ADDENDUM ACKNOWLEDGEMENT SHOULD BE SUBMITTED WITH THE BID.</p> <p>REV. 09/21/2009</p> <p>EXHIBIT 3</p> <p>LIFE OF CONTRACT: THIS CONTRACT BECOMES EFFECTIVE ON AND EXTENDS FOR A PERIOD OF ONE (1) YEAR OR UNTIL SUCH "REASONABLE TIME" THEREAFTER AS IS NECESSARY TO OBTAIN A NEW CONTRACT OR RENEW THE ORIGINAL CONTRACT. THE "REASONABLE TIME" PERIOD SHALL NOT EXCEED TWELVE (12) MONTHS. DURING THIS "REASONABLE TIME" THE VENDOR MAY TERMINATE THIS CONTRACT FOR ANY REASON UPON GIVING THE DIRECTOR OF PURCHASING 30 DAYS WRITTEN NOTICE.</p> <p>UNLESS SPECIFIC PROVISIONS ARE STIPULATED ELSEWHERE IN THIS CONTRACT DOCUMENT, THE TERMS, CONDITIONS AND PRICING SET HEREIN ARE FIRM FOR THE LIFE OF THE CONTRACT.</p> <p>RENEWAL: THIS CONTRACT MAY BE RENEWED UPON THE MUTUAL WRITTEN CONSENT OF THE SPENDING UNIT AND VENDOR, SUBMITTED TO THE DIRECTOR OF PURCHASING THIRTY (30) DAYS PRIOR TO THE EXPIRATION DATE. SUCH RENEWAL SHALL BE IN ACCORDANCE WITH THE TERMS AND CONDITIONS OF THE ORIGINAL CONTRACT AND SHALL BE LIMITED TO TWO (2) ONE (1) YEAR PERIODS.</p> <p>CANCELLATION: THE DIRECTOR OF PURCHASING RESERVES THE RIGHT TO CANCEL THIS CONTRACT IMMEDIATELY UPON WRITTEN NOTICE TO THE VENDOR IF THE COMMODITIES AND/OR SERVICES SUPPLIED ARE OF AN INFERIOR QUALITY OR DO NOT CONFORM</p>						

SEE REVERSE SIDE FOR TERMS AND CONDITIONS		
SIGNATURE <i>[Signature]</i>	TELEPHONE 888-208-0686	DATE 2-4-11
TITLE Central Sales	FEIN 41-1557096	ADDRESS CHANGES TO BE NOTED ABOVE

WHEN RESPONDING TO RFQ, INSERT NAME AND ADDRESS IN SPACE ABOVE LABELED 'VENDOR'



State of West Virginia
 Department of Administration
 Purchasing Division
 2019 Washington Street East
 Post Office Box 50130
 Charleston, WV 25305-0130

Request for Quotation

RFQ NUMBER
6611C019

PAGE
4

ADDRESS CORRESPONDENCE TO ATTENTION OF
BUYER 33 304-558-2402

VENDOR

*310143042 320-834-2595
 VARITECH INDUSTRIES INC
 PO BOX 457
 ALEXANDRIA MN 56308-0457

SHIP TO

DIVISION OF HIGHWAYS
 JOBSITE
 SEE SPECIFICATIONS

DATE PRINTED	TERMS OF SALE	SHIP VIA	F.O.B.	FREIGHT TERMS
12/29/2010				

BID OPENING DATE: 02/08/2011 BID OPENING TIME 01:30PM

LINE	QUANTITY	UOP	CAT NO	ITEM NUMBER	UNIT PRICE	AMOUNT
<p>TO THE SPECIFICATIONS OF THE BID AND CONTRACT HEREIN.</p> <p>OPEN MARKET CLAUSE: THE DIRECTOR OF PURCHASING MAY AUTHORIZE A SPENDING UNIT TO PURCHASE ON THE OPEN MARKET, WITHOUT THE FILING OF A REQUISITION OR COST ESTIMATE, ITEMS SPECIFIED ON THIS CONTRACT FOR IMMEDIATE DELIVERY IN EMERGENCIES DUE TO UNFORESEEN CAUSES (INCLUDING BUT NOT LIMITED TO DELAYS IN TRANSPORTATION OR AN UNANTICIPATED INCREASE IN THE VOLUME OF WORK.)</p> <p>QUANTITIES: QUANTITIES LISTED IN THE REQUISITION ARE APPROXIMATIONS ONLY, BASED ON ESTIMATES SUPPLIED BY THE STATE SPENDING UNIT. IT IS UNDERSTOOD AND AGREED THAT THE CONTRACT SHALL COVER THE QUANTITIES ACTUALLY ORDERED FOR DELIVERY DURING THE TERM OF THE CONTRACT, WHETHER MORE OR LESS THAN THE QUANTITIES SHOWN.</p> <p>ORDERING PROCEDURE: SPENDING UNIT(S) SHALL ISSUE A WRITTEN STATE CONTRACT ORDER (FORM NUMBER WV-39) TO THE VENDOR FOR COMMODITIES COVERED BY THIS CONTRACT. THE ORIGINAL COPY OF THE WV-39 SHALL BE MAILED TO THE VENDOR AS AUTHORIZATION FOR SHIPMENT, A SECOND COPY MAILED TO THE PURCHASING DIVISION, AND A THIRD COPY RETAINED BY THE SPENDING UNIT.</p> <p>BANKRUPTCY: IN THE EVENT THE VENDOR/CONTRACTOR FILES FOR BANKRUPTCY PROTECTION, THE STATE MAY DEEM THE CONTRACT NULL AND VOID, AND TERMINATE SUCH CONTRACT WITHOUT FURTHER ORDER.</p> <p>THE TERMS AND CONDITIONS CONTAINED IN THIS CONTRACT SHALL SUPERSEDE ANY AND ALL SUBSEQUENT TERMS AND CONDITIONS WHICH MAY APPEAR ON ANY ATTACHED PRINTED DOCUMENTS SUCH AS PRICE LISTS, ORDER FORMS, SALES AGREEMENTS OR MAINTENANCE AGREEMENTS, INCLUDING ANY</p>						

SEE REVERSE SIDE FOR TERMS AND CONDITIONS

SIGNATURE	TELEPHONE 888-208-0686	DATE 2-4-11
TITLE Central Sales Mgr.	FEIN 41-1557096	ADDRESS CHANGES TO BE NOTED ABOVE

WHEN RESPONDING TO RFQ, INSERT NAME AND ADDRESS IN SPACE ABOVE LABELED 'VENDOR'



State of West Virginia
 Department of Administration
 Purchasing Division
 2019 Washington Street East
 Post Office Box 50130
 Charleston, WV 25305-0130

Request for Quotation

RFQ NUMBER
6611C019

PAGE
5

ADDRESS CORRESPONDENCE TO ATTENTION OF
BUYER 33 304-558-2402

VENDOR

*310143042 320-834-2595
 VARITECH INDUSTRIES INC
 PO BOX 457

 ALEXANDRIA MN 56308-0457

SHIP TO

DIVISION OF HIGHWAYS
 JOBSITE
 SEE SPECIFICATIONS

DATE PRINTED	TERMS OF SALE	SHIP VIA	F.O.B.	FREIGHT TERMS
12/29/2010				

BID OPENING DATE: 02/08/2011 BID OPENING TIME 01:30PM

LINE	QUANTITY	UOP	CAT. NO.	ITEM NUMBER	UNIT PRICE	AMOUNT
				ELECTRONIC MEDIUM SUCH AS CD-ROM. REV. 05/26/2009		
				PREFERENCE FOR USE OF DOMESTIC STEEL PRODUCTS		
				1. EXCEPT WHEN AUTHORIZED BY THE DIRECTOR OF THE PURCHASING DIVISION PURSUANT TO SUBSECTION 2 BELOW, NO CONTRACTOR MAY USE OR SUPPLY STEEL PRODUCTS FOR A STATE CONTRACT PROJECT OTHER THAN THOSE STEEL PRODUCTS MADE IN THE UNITED STATES. AS USED USED I THIS CONTRACT,		
				A. "STATE CONTRACT PROJECT" MEANS ANY ERECTION OR CONSTRUCTION OF, OR ANY ADDITION TO, ALTERATION OF OR OTHER IMPROVEMENT TO ANY BUILDING OR STRUCTURE, INCLUDING, BUT NOT LIMITED TO, ROAD OR HIGHWAYS, OR THE INSTALLATION OF ANY HEATING OR COOLING OR VENTILATING PLANTS OR OTHER EQUIPMENT, OR THE SUPPLY OF AND MATERIALS FOR SUCH PROJECTS, PURSUANT TO A CONTRACT WITH THE STATE OF WEST VIRGINIA FOR WHICH BIDS WERE SOLICITED ON OR AFTER JUNE 6, 2001.		
				B. "STEEL PRODUCTS" MEANS PRODUCTS ROLLED, FORMED, SHAPED, DRAWN, EXTRUDED, FORGED, CAST, FABRICATED OR OTHERWISE SIMILARLY PROCESSED, OR PROCESSED BY A COMBINATION OF TWO OR MORE OF SUCH OPERATIONS, FROM STEEL MADE BY THE OPEN HEARTH, BASIC OXYGEN, ELECTRIC FURNACE, BESSEMER OR OTHER STEEL MAKING PROCESS.		
				C. "UNITED STATES" MEANS THE UNITED STATES OF AMERICA AND INCLUDES ALL TERRITORY, CONTINENTAL OR INSULAR, SUBJECT TO THE JURISDICTION OF THE		

SEE REVERSE SIDE FOR TERMS AND CONDITIONS

SIGNATURE	TELEPHONE	DATE
	888-208-0686	2-4-11
TITLE	FEIN	ADDRESS CHANGES TO BE NOTED ABOVE
Central Sales Mgr.	41-155 7096	

WHEN RESPONDING TO RFQ, INSERT NAME AND ADDRESS IN SPACE ABOVE LABELED 'VENDOR'



State of West Virginia
 Department of Administration
 Purchasing Division
 2019 Washington Street East
 Post Office Box 50130
 Charleston, WV 25305-0130

Request for Quotation

RFQ NUMBER
6611C019

PAGE
7

ADDRESS CORRESPONDENCE TO ATTENTION OF
BUYER 33 304-558-2402

VENDOR

*310143042 320-834-2595
 VARITECH INDUSTRIES INC
 PO BOX 457

 ALEXANDRIA MN 56308-0457

SHIP TO

DIVISION OF HIGHWAYS
 JOBSITE
 SEE SPECIFICATIONS

DATE PRINTED	TERMS OF SALE	SHIP VIA	F.O.B.	FREIGHT TERMS
12/29/2010				

BID OPENING DATE: **02/08/2011** BID OPENING TIME: **01:30PM**

LINE	QUANTITY	UOP	CAT NO	ITEM NUMBER	UNIT PRICE	AMOUNT
<p>EXHIBIT 4</p> <p>LOCAL GOVERNMENT BODIES: UNLESS THE VENDOR INDICATES IN THE BID HIS REFUSAL TO EXTEND THE PRICES, TERMS, AND CONDITIONS OF THE BID TO COUNTY, SCHOOL, MUNICIPAL AND OTHER LOCAL GOVERNMENT BODIES, THE BID SHALL EXTEND TO POLITICAL SUBDIVISIONS OF THE STATE OF WEST VIRGINIA. IF THE VENDOR DOES NOT WISH TO EXTEND THE PRICES, TERMS, AND CONDITIONS OF THE BID TO ALL POLITICAL SUBDIVISIONS OF THE STATE, THE VENDOR MUST CLEARLY INDICATE SUCH REFUSAL IN HIS BID. SUCH REFUSAL SHALL NOT PREJUDICE THE AWARD OF THIS CONTRACT IN ANY MANNER.</p> <p>REV. 3/88</p> <p style="text-align: center;">NOTICE</p> <p>A SIGNED BID MUST BE SUBMITTED TO:</p> <p style="text-align: center;">DEPARTMENT OF ADMINISTRATION PURCHASING DIVISION BUILDING 15 2019 WASHINGTON STREET, EAST CHARLESTON, WV 25305-0130</p> <p>THE BID SHOULD CONTAIN THIS INFORMATION ON THE FACE OF THE ENVELOPE OR THE BID MAY NOT BE CONSIDERED:</p> <p>SEALED BID</p>						

SEE REVERSE SIDE FOR TERMS AND CONDITIONS			
SIGNATURE	TELEPHONE	DATE	
	888-208-0686	2-4-11	
TITLE	FEIN	ADDRESS CHANGES TO BE NOTED ABOVE	
Central Sales Mgr.	41-1557096		

WHEN RESPONDING TO RFQ, INSERT NAME AND ADDRESS IN SPACE ABOVE LABELED 'VENDOR'

The purpose of this contract is to provide equipment, materials, labor and assembly of Brine Storage Tanks for the WV Division of Highways (DOH) to various locations and in the estimated quantities set out in the bid schedule. The locations are not inclusive. The quantities are also estimated. Actual quantities to be delivered to each location will be specified in a State Contract Purchase Order (SCO) which will be issued by the DOH at the time delivery is required.

Qualified Vendors who submit a valid bid "F.O.B. Delivery Site" will be awarded a contract for those items by locations for which their bid is low.

In the event a Vendor fails to conform to the requirements set out in this contract document, the SCO or the governing specifications, the Purchase Order Contract may be cancelled and awarded to the next low bidder.

The model/brand/specifications named herein establish the acceptable level of quality only and are not intended to reflect a preference or favor any particular brand or vendor. Vendors who are bidding alternates, should so state and include pertinent literature and specifications. Failure to provide information for any alternates may be grounds for rejection of the bid. The State reserves the right to waive minor irregularities in bids or specifications in accordance with with section 148-1-4(F) of the WV Legislative Rules and Regulations.

Wage Rates: The contractor or subcontractor shall pay the higher of the US Department of Labor minimum wage rates as established for various counties, pursuant to WV Code 21-5A, et., seq.

Locations

<u>Nearest City</u>		<u>District</u>		<u>County</u>
Charleston		1		Kanawha
Sissonville		1		Kanawha
Amma		1		Kanawha
St. Albans		1		Putnam
Huntington		2		Cabell
Chapmanville		2		Logan
Ripley		3		Jackson
Parkersburg		3		Wood
Clarksburg		4		Harrison
Morgantown		4		Monongalia
Bruceeton Mills		4		Preston
Martinsburg		5		Berkeley
Moorefield		5		Hardy
Wheeling		6		Ohio
Moundsville		6		Marshall
Sutton		7		Braxton
Weston		7		Lewis
Elkins		8		Randolph
Parsons		8		Tucker
Lewisburg		9		Greenbrier
Summersville		9		Nicholas
Princeton		10		Mercer
Beckley		10		Raleigh

BID SHEET DISTRICT 1

Item No.	Estimated Quantity	Description	Unit Cost	Extended Cost
1	2	2,500 gallon heavy duty construction vertical polyethylene storage tank Norwesco Model #40052 or equal with SG 1.9, 95" diameter, 91" height, with a 2" outlet drain and a 2" fill port installed near the top of each tank with 20' of 100 psi flexible 2" fill hose with a 2" polypropylene quick connect attached. A shutoff valve shall be installed at the 2" outlet drain of each tank and the tanks shall be plumbed with 2" schedule 80 pvc to a common outlet, or T, with a shut off valve at the T. Price to include delivery, assembly, labor, parts and materials. Delivery: FOB any designated delivery site within Division of Highways - District 1.	2,235 ⁰⁰	4,470 ⁰⁰
2	2	2,500 gallon heavy duty construction vertical polyethylene storage tank Norwesco Model #40052 or equal with SG 1.9, 95" diameter, 91" height, with a 2" outlet drain and a 2" fill port installed near the top of each tank. Each tank shall be enclosed in secondary containment in a way that prevents rainfall from entering the containment, which consists of a vertical polyethylene storage tank, SG 1.5, that provides 110% capacity for secondary containment. Valves, bulkhead fittings, nipples, tees and elbows must be 316 stainless steel unless noted. Containment tanks shall have a 16" lockable manway lid located above the storage tank lid. The containment tank shall have plumbing from the storage tank thru the containment tank as follows: 2" stainless steel bolted inlet assembly and flexible interconnect, 2" stainless steel bolted gravity drain assembly and flexible interconnect with stainless steel valve. The flexible interconnects shall be ultra high molecular weight polyethylene chemical hose. The containment tanks shall have a 3" poly vent with cap and screen, 2" drain with PVC valve and plug, 3/4" flexible PVC sight gauge off drain with stainless steel tee and valve. A shutoff valve shall be installed at the 2" outlet of each containment tank and the tanks shall be plumbed with 2" schedule 80 pvc to a common outlet, or T, with a shut off valve at the T. 20' of 100 psi flexible 2" fill hose shall be attached to the inlets of each tank with a 2" polypropylene quick connect. Containment tanks shall have permanent signage labeling inlet, outlet, containment drain and overfill warning sign. The successful bidder is responsible for scheduling with DOH for the availability of a DOH provided crane and operator for unloading or assembling at the site. Containment tanks shall have 4 - 2,500 lb. each, lift lugs securely fastened. Price to include delivery, assembly, labor, parts and material. Delivery: FOB any designated delivery site within the Division of Highways - District 1.	7,335 ⁰⁰	14,670 ⁰⁰

BID SHEET DISTRICT 1 (cont.)

Item No.	Estimated Quantity	Description	Unit Cost	Extended Cost
3	1	6,100 gallon heavy duty construction vertical polyethylene storage tank Norwesco Model #40061 or equal with SG 1.9, 119" diameter, 140" height, with a 2" outlet drain and a 2" fill port installed near the top of the tank with 20' of 100 psi flexible 2" fill hose with a 2" polypropylene quick connect attached. Price to include delivery, assembly, labor, parts and materials Delivery: FOB any designated delivery site within the Division of Highways - District 1.	4,725 ⁰⁰	4,725 ⁰⁰
4	1	6,100 gallon heavy duty construction vertical polyethylene storage tank Norwesco Model #40061 or equal with SG 1.9, 119" diameter, 140" height, with a 2" outlet drain and a 2" fill port installed near the top of the tank. This tank shall be enclosed in secondary containment in a way that prevents rainfall from entering the containment, which consists of a vertical polyethylene storage tank, SG 1.5, that provides 110% capacity for secondary containment. Valves, bulkhead fittings, nipples, tees and elbows must be 316 stainless steel unless noted. Containment tanks shall have a 16" lockable manway lid located above the storage tank lid. The containment tank shall have plumbing from the storage tank thru the containment tank as follows: 2" stainless steel bolted inlet assembly and flexible interconnect, 2" stainless steel bolted gravity drain assembly and flexible interconnect with stainless steel valve. The flexible interconnects shall be ultra high molecular weight polyethylene chemical hose. The containment tanks shall have a 3" poly vent with cap and screen, 2" drain with PVC valve and plug, 3/4" flexible PVC sight gauge off drain with stainless steel tee and valve. 20' of 100 psi flexible 2" fill hose shall be attached to the inlets of the tank with a 2" polypropylene quick connect. Containment tank shall have permanent signage labeling inlet, outlet, containment drain and overflow warning sign. The successful bidder is responsible for scheduling with DOH for the availability of a DOH provided crane and operator for unloading or assembling at the site. Containment tanks shall have 4 - 2,500 lb. each, lift lugs securely fastened. Price to include delivery, assembly, labor, parts and materials. Delivery: FOB any designated delivery site within the Division of Highways - District 1.	17,270 ⁰⁰	17,270 ⁰⁰

BID SHEET DISTRICT 2

Item No.	Estimated Quantity	Description	Unit Cost	Extended Cost
1	2	2,500 gallon heavy duty construction vertical polyethylene storage tank Norwesco Model #40052 or equal with SG 1.9, 95" diameter, 91" height, with a 2" outlet drain and a 2" fill port installed near the top of each tank with 20' of 100 psi flexible 2" fill hose with a 2" polypropylene quick connect attached. A shutoff valve shall be installed at the 2" outlet drain of each tank and the tanks shall be plumbed with 2" schedule 80 pvc to a common outlet, or T, with a shut off valve at the T. Price to include delivery, assembly, labor, parts and materials. Delivery: FOB any designated delivery site within Division of Highways - District 2.	<u>2,235⁰⁰</u>	<u>4,470⁰⁰</u>

2	2	2,500 gallon heavy duty construction vertical polyethylene storage tank Norwesco Model #40052 or equal with SG 1.9, 95" diameter, 91" height, with a 2" outlet drain and a 2" fill port installed near the top of each tank. Each tank shall be enclosed in secondary containment in a way that prevents rainfall from entering the containment, which consists of a vertical polyethylene storage tank, SG 1.5, that provides 110% capacity for secondary containment. Valves, bulkhead fittings, nipples, tees and elbows must be 316 stainless steel unless noted. Containment tanks shall have a 16" lockable manway lid located above the storage tank lid. The containment tank shall have plumbing from the storage tank thru the containment tank as follows: 2" stainless steel bolted inlet assembly and flexible interconnect, 2" stainless steel bolted gravity drain assembly and flexible interconnect with stainless steel valve. The flexible interconnects shall be ultra high molecular weight polyethylene chemical hose. The containment tanks shall have a 3" poly vent with cap and screen, 2" drain with PVC valve and plug, 3/4" flexible PVC sight gauge off drain with stainless steel tee and valve. A shutoff valve shall be installed at the 2" outlet of each containment tank and the tanks shall be plumbed with 2" schedule 80 pvc to a common outlet, or T, with a shut off valve at the T. 20' of 100 psi flexible 2" fill hose shall be attached to the inlets of each tank with a 2" polypropylene quick connect. Containment tanks shall have permanent signage labeling inlet, outlet, containment drain and overfill warning sign. The successful bidder is responsible for scheduling with DOH for the availability of a DOH provided crane and operator for unloading or assembling at the site. Containment tanks shall have 4 - 2,500 lb. each, lift lugs securely fastened. Price to include delivery, assembly, labor, parts and material. Delivery: FOB any designated delivery site within the Division of Highways - District 2.	<u>(65) 7,335⁰⁰</u>	<u>14,670⁰⁰</u> (65)
---	---	--	--------------------------------	---------------------------------

BID SHEET DISTRICT 2 (cont.)

Item No.	Estimated Quantity	Description	Unit Cost	Extended Cost
3	1	6,100 gallon heavy duty construction vertical polyethylene storage tank Norwesco Model #40061 or equal with SG 1.9, 119" diameter, 140" height, with a 2" outlet drain and a 2" fill port installed near the top of the tank with 20' of 100 psi flexible 2" fill hose with a 2" polypropylene quick connect attached. Price to include delivery, assembly, labor, parts and materials Delivery: FOB any designated delivery site within the Division of Highways - District 2.	4745 ⁰⁰	4745 ⁰⁰
4	1	6,100 gallon heavy duty construction vertical polyethylene storage tank Norwesco Model #40061 or equal with SG 1.9, 119" diameter, 140" height, with a 2" outlet drain and a 2" fill port installed near the top of the tank. This tank shall be enclosed in secondary containment in a way that prevents rainfall from entering the containment, which consists of a vertical polyethylene storage tank, SG 1.5, that provides 110% capacity for secondary containment. Valves, bulkhead fittings, nipples, tees and elbows must be 316 stainless steel unless noted. Containment tanks shall have a 16" lockable manway lid located above the storage tank lid. The containment tank shall have plumbing from the storage tank thru the containment tank as follows: 2" stainless steel bolted inlet assembly and flexible interconnect, 2" stainless steel bolted gravity drain assembly and flexible interconnect with stainless steel valve. The flexible interconnects shall be ultra high molecular weight polyethylene chemical hose. The containment tanks shall have a 3" poly vent with cap and screen, 2" drain with PVC valve and plug, 3/4" flexible PVC sight gauge off drain with stainless steel tee and valve. 20' of 100 psi flexible 2" fill hose shall be attached to the inlets of the tank with a 2" polypropylene quick connect. Containment tank shall have permanent signage labeling inlet, outlet, containment drain and overfill warning sign. The successful bidder is responsible for scheduling with DOH for the availability of a DOH provided crane and operator for unloading or assembling at the site. Containment tanks shall have 4 - 2,500 lb. each, lift lugs securely fastened. Price to include delivery, assembly, labor, parts and materials. Delivery: FOB any designated delivery site within the Division of Highways - District 2.	17,270 ⁰⁰	17,270 ⁰⁰

BID SHEET DISTRICT 3

Item No.	Estimated Quantity	Description	Unit Cost	Extended Cost
1	2	2,500 gallon heavy duty construction vertical polyethylene storage tank Norwesco Model #40052 or equal with SG 1.9, 95" diameter, 91" height, with a 2" outlet drain and a 2" fill port installed near the top of each tank with 20' of 100 psi flexible 2" fill hose with a 2" polypropylene quick connect attached. A shutoff valve shall be installed at the 2" outlet drain of each tank and the tanks shall be plumbed with 2" schedule 80 pvc to a common outlet, or T, with a shut off valve at the T. Price to include delivery, assembly, labor, parts and materials. Delivery: FOB any designated delivery site within Division of Highways - District 3.	2235 ⁰⁰	4470 ⁰⁰

2	2	2,500 gallon heavy duty construction vertical polyethylene storage tank Norwesco Model #40052 or equal with SG 1.9, 95" diameter, 91" height, with a 2" outlet drain and a 2" fill port installed near the top of each tank. Each tank shall be enclosed in secondary containment in a way that prevents rainfall from entering the containment, which consists of a vertical polyethylene storage tank, SG 1.5, that provides 110% capacity for secondary containment. Valves, bulkhead fittings, nipples, tees and elbows must be 316 stainless steel unless noted. Containment tanks shall have a 16" lockable manway lid located above the storage tank lid. The containment tank shall have plumbing from the storage tank thru the containment tank as follows: 2" stainless steel bolted inlet assembly and flexible interconnect, 2" stainless steel bolted gravity drain assembly and flexible interconnect with stainless steel valve. The flexible interconnects shall be ultra high molecular weight polyethylene chemical hose. The containment tanks shall have a 3" poly vent with cap and screen, 2" drain with PVC valve and plug, 3/4" flexible PVC sight gauge off drain with stainless steel tee and valve. A shutoff valve shall be installed at the 2" outlet of each containment tank and the tanks shall be plumbed with 2" schedule 80 pvc to a common outlet, or T, with a shut off valve at the T. 20' of 100 psi flexible 2" fill hose shall be attached to the inlets of each tank with a 2" polypropylene quick connect. Containment tanks shall have permanent signage labeling inlet, outlet, containment drain and overfill warning sign. The successful bidder is responsible for scheduling with DOH for the availability of a DOH provided crane and operator for unloading or assembling at the site. Containment tanks shall have 4 - 2,500 lb. each, lift lugs securely fastened. Price to include delivery, assembly, labor, parts and material. Delivery: FOB any designated delivery site within the Division of Highways - District 3.	7385 ⁰⁰	14,770 ⁰⁰
---	---	--	--------------------	----------------------

BID SHEET DISTRICT 3 (cont.)

Item No.	Estimated Quantity	Description	Unit Cost	Extended Cost
3	1	6,100 gallon heavy duty construction vertical polyethylene storage tank Norwesco Model #40061 or equal with SG 1.9, 119" diameter, 140" height, with a 2" outlet drain and a 2" fill port installed near the top of the tank with 20' of 100 psi flexible 2" fill hose with a 2" polypropylene quick connect attached. Price to include delivery, assembly, labor, parts and materials Delivery: FOB any designated delivery site within the Division of Highways - District 3.	4,725 ⁰⁰	4,725 ⁰⁰
4	1	6,100 gallon heavy duty construction vertical polyethylene storage tank Norwesco Model #40061 or equal with SG 1.9, 119" diameter, 140" height, with a 2" outlet drain and a 2" fill port installed near the top of the tank. This tank shall be enclosed in secondary containment in a way that prevents rainfall from entering the containment, which consists of a vertical polyethylene storage tank, SG 1.5, that provides 110% capacity for secondary containment. Valves, bulkhead fittings, nipples, tees and elbows must be 316 stainless steel unless noted. Containment tanks shall have a 16" lockable manway lid located above the storage tank lid. The containment tank shall have plumbing from the storage tank thru the containment tank as follows: 2" stainless steel bolted inlet assembly and flexible interconnect, 2" stainless steel bolted gravity drain assembly and flexible interconnect with stainless steel valve. The flexible interconnects shall be ultra high molecular weight polyethylene chemical hose. The containment tanks shall have a 3" poly vent with cap and screen, 2" drain with PVC valve and plug, 3/4" flexible PVC sight gauge off drain with stainless steel tee and valve. 20' of 100 psi flexible 2" fill hose shall be attached to the inlets of the tank with a 2" polypropylene quick connect. Containment tank shall have permanent signage labeling inlet, outlet, containment drain and overfill warning sign. The successful bidder is responsible for scheduling with DOH for the availability of a DOH provided crane and operator for unloading or assembling at the site. Containment tanks shall have 4 - 2,500 lb. each, lift lugs securely fastened. Price to include delivery, assembly, labor, parts and materials. Delivery: FOB any designated delivery site within the Division of Highways - District 3.	17,270 ⁰⁰	17,270 ⁰⁰

BID SHEET DISTRICT 4

Item No.	Estimated Quantity	Description	Unit Cost	Extended Cost
1	2	2,500 gallon heavy duty construction vertical polyethylene storage tank Norwesco Model #40052 or equal with SG 1.9, 95" diameter, 91" height, with a 2" outlet drain and a 2" fill port installed near the top of each tank with 20' of 100 psi flexible 2" fill hose with a 2" polypropylene quick connect attached. A shutoff valve shall be installed at the 2" outlet drain of each tank and the tanks shall be plumbed with 2" schedule 80 pvc to a common outlet, or T, with a shut off valve at the T. Price to include delivery, assembly, labor, parts and materials. Delivery: FOB any designated delivery site within Division of Highways - District 4.	2235 ⁰⁰	4,470 ⁰⁰
2	2	2,500 gallon heavy duty construction vertical polyethylene storage tank Norwesco Model #40052 or equal with SG 1.9, 95" diameter, 91" height, with a 2" outlet drain and a 2" fill port installed near the top of each tank. Each tank shall be enclosed in secondary containment in a way that prevents rainfall from entering the containment, which consists of a vertical polyethylene storage tank, SG 1.5, that provides 110% capacity for secondary containment. Valves, bulkhead fittings, nipples, tees and elbows must be 316 stainless steel unless noted. Containment tanks shall have a 16" lockable manway lid located above the storage tank lid. The containment tank shall have plumbing from the storage tank thru the containment tank as follows: 2" stainless steel bolted inlet assembly and flexible interconnect, 2" stainless steel bolted gravity drain assembly and flexible interconnect with stainless steel valve. The flexible interconnects shall be ultra high molecular weight polyethylene chemical hose. The containment tanks shall have a 3" poly vent with cap and screen, 2" drain with PVC valve and plug, 3/4" flexible PVC sight gauge off drain with stainless steel tee and valve. A shutoff valve shall be installed at the 2" outlet of each containment tank and the tanks shall be plumbed with 2" schedule 80 pvc to a common outlet, or T, with a shut off valve at the T. 20' of 100 psi flexible 2" fill hose shall be attached to the inlets of each tank with a 2" polypropylene quick connect. Containment tanks shall have permanent signage labeling inlet, outlet, containment drain and overfill warning sign. The successful bidder is responsible for scheduling with DOH for the availability of a DOH provided crane and operator for unloading or assembling at the site. Containment tanks shall have 4 - 2,500 lb. each, lift lugs securely fastened. Price to include delivery, assembly, labor, parts and material. Delivery: FOB any designated delivery site within the Division of Highways - District 4.	7385 ⁰⁰	14,770 ⁰⁰

BID SHEET DISTRICT 4 (cont.)

Item No.	Estimated Quantity	Description	Unit Cost	Extended Cost
3	1	6,100 gallon heavy duty construction vertical polyethylene storage tank Norwesco Model #40061 or equal with SG 1.9, 119" diameter, 140" height, with a 2" outlet drain and a 2" fill port installed near the top of the tank with 20' of 100 psi flexible 2" fill hose with a 2" polypropylene quick connect attached. Price to include delivery, assembly, labor, parts and materials Delivery: FOB any designated delivery site within the Division of Highways - District 4.	4,685 ⁰⁰	4,685 ⁰⁰
4	1	6,100 gallon heavy duty construction vertical polyethylene storage tank Norwesco Model #40061 or equal with SG 1.9, 119" diameter, 140" height, with a 2" outlet drain and a 2" fill port installed near the top of the tank. This tank shall be enclosed in secondary containment in a way that prevents rainfall from entering the containment, which consists of a vertical polyethylene storage tank, SG 1.5, that provides 110% capacity for secondary containment. Valves, bulkhead fittings, nipples, tees and elbows must be 316 stainless steel unless noted. Containment tanks shall have a 16" lockable manway lid located above the storage tank lid. The containment tank shall have plumbing from the storage tank thru the containment tank as follows: 2" stainless steel bolted inlet assembly and flexible interconnect, 2" stainless steel bolted gravity drain assembly and flexible interconnect with stainless steel valve. The flexible interconnects shall be ultra high molecular weight polyethylene chemical hose. The containment tanks shall have a 3" poly vent with cap and screen, 2" drain with PVC valve and plug, 3/4" flexible PVC sight gauge off drain with stainless steel tee and valve. 20' of 100 psi flexible 2" fill hose shall be attached to the inlets of the tank with a 2" polypropylene quick connect. Containment tank shall have permanent signage labeling inlet, outlet, containment drain and overflow warning sign. The successful bidder is responsible for scheduling with DOH for the availability of a DOH provided crane and operator for unloading or assembling at the site. Containment tanks shall have 4 - 2,500 lb. each, lift lugs securely fastened. Price to include delivery, assembly, labor, parts and materials. Delivery: FOB any designated delivery site within the Division of Highways - District 4.	17,420 ⁰⁰	17,420 ⁰⁰

BID SHEET DISTRICT 5

Item No.	Estimated Quantity	Description	Unit Cost	Extended Cost
1	2	2,500 gallon heavy duty construction vertical polyethylene storage tank Norwesco Model #40052 or equal with SG 1.9, 95" diameter, 91" height, with a 2" outlet drain and a 2" fill port installed near the top of each tank with 20' of 100 psi flexible 2" fill hose with a 2" polypropylene quick connect attached. A shutoff valve shall be installed at the 2" outlet drain of each tank and the tanks shall be plumbed with 2" schedule 80 pvc to a common outlet, or T, with a shut off valve at the T. Price to include delivery, assembly, labor, parts and materials. Delivery: FOB any designated delivery site within Division of Highways - District 5.	2235 ⁰⁰	4,470 ⁰⁰
2	2	2,500 gallon heavy duty construction vertical polyethylene storage tank Norwesco Model #40052 or equal with SG 1.9, 95" diameter, 91" height, with a 2" outlet drain and a 2" fill port installed near the top of each tank. Each tank shall be enclosed in secondary containment in a way that prevents rainfall from entering the containment, which consists of a vertical polyethylene storage tank, SG 1.5, that provides 110% capacity for secondary containment. Valves, bulkhead fittings, nipples, tees and elbows must be 316 stainless steel unless noted. Containment tanks shall have a 16" lockable manway lid located above the storage tank lid. The containment tank shall have plumbing from the storage tank thru the containment tank as follows: 2" stainless steel bolted inlet assembly and flexible interconnect, 2" stainless steel bolted gravity drain assembly and flexible interconnect with stainless steel valve. The flexible interconnects shall be ultra high molecular weight polyethylene chemical hose. The containment tanks shall have a 3" poly vent with cap and screen, 2" drain with PVC valve and plug, 3/4" flexible PVC sight gauge off drain with stainless steel tee and valve. A shutoff valve shall be installed at the 2" outlet of each containment tank and the tanks shall be plumbed with 2" schedule 80 pvc to a common outlet, or T, with a shut off valve at the T. 20' of 100 psi flexible 2" fill hose shall be attached to the inlets of each tank with a 2" polypropylene quick connect. Containment tanks shall have permanent signage labeling inlet, outlet, containment drain and overfill warning sign. The successful bidder is responsible for scheduling with DOH for the availability of a DOH provided crane and operator for unloading or assembling at the site. Containment tanks shall have 4 - 2,500 lb. each, lift lugs securely fastened. Price to include delivery, assembly, labor, parts and material. Delivery: FOB any designated delivery site within the Division of Highways - District 5.	7435 ⁰⁰	14,870 ⁰⁰

BID SHEET DISTRICT 5 (cont.)

Item No.	Estimated Quantity	Description	Unit Cost	Extended Cost
3	1	6,100 gallon heavy duty construction vertical polyethylene storage tank Norwesco Model #40061 or equal with SG 1.9, 119" diameter, 140" height, with a 2" outlet drain and a 2" fill port installed near the top of the tank with 20' of 100 psi flexible 2" fill hose with a 2" polypropylene quick connect attached. Price to include delivery, assembly, labor, parts and materials	4,750 ⁰⁰	4,750 ⁰⁰
		Delivery: FOB any designated delivery site within the Division of Highways - District 5.		

4	1	6,100 gallon heavy duty construction vertical polyethylene storage tank Norwesco Model #40061 or equal with SG 1.9, 119" diameter, 140" height, with a 2" outlet drain and a 2" fill port installed near the top of the tank. This tank shall be enclosed in secondary containment in a way that prevents rainfall from entering the containment, which consists of a vertical polyethylene storage tank, SG 1.5, that provides 110% capacity for secondary containment. Valves, bulkhead fittings, nipples, tees and elbows must be 316 stainless steel unless noted. Containment tanks shall have a 16" lockable manway lid located above the storage tank lid. The containment tank shall have plumbing from the storage tank thru the containment tank as follows: 2" stainless steel bolted inlet assembly and flexible interconnect, 2" stainless steel bolted gravity drain assembly and flexible interconnect with stainless steel valve. The flexible interconnects shall be ultra high molecular weight polyethylene chemical hose. The containment tanks shall have a 3" poly vent with cap and screen, 2" drain with PVC valve and plug, 3/4" flexible PVC sight gauge off drain with stainless steel tee and valve. 20' of 100 psi flexible 2" fill hose shall be attached to the inlets of the tank with a 2" polypropylene quick connect. Containment tank shall have permanent signage labeling inlet, outlet, containment drain and overfill warning sign. The successful bidder is responsible for scheduling with DOH for the availability of a DOH provided crane and operator for unloading or assembling at the site. Containment tanks shall have 4 - 2,500 lb. each, lift lugs securely fastened. Price to include delivery, assembly, labor, parts and materials.	17,620 ⁰⁰	17,620 ⁰⁰
		Delivery: FOB any designated delivery site within the Division of Highways - District 5.		

BID SHEET DISTRICT 6

Item No.	Estimated Quantity	Description	Unit Cost	Extended Cost
1	2	2,500 gallon heavy duty construction vertical polyethylene storage tank Norwesco Model #40052 or equal with SG 1.9, 95" diameter, 91" height, with a 2" outlet drain and a 2" fill port installed near the top of each tank with 20' of 100 psi flexible 2" fill hose with a 2" polypropylene quick connect attached. A shutoff valve shall be installed at the 2" outlet drain of each tank and the tanks shall be plumbed with 2" schedule 80 pvc to a common outlet, or T, with a shut off valve at the T. Price to include delivery, assembly, labor, parts and materials. Delivery: FOB any designated delivery site within Division of Highways - District 6.	2235 ⁰²	4,470 ⁰²

2	2	2,500 gallon heavy duty construction vertical polyethylene storage tank Norwesco Model #40052 or equal with SG 1.9, 95" diameter, 91" height, with a 2" outlet drain and a 2" fill port installed near the top of each tank. Each tank shall be enclosed in secondary containment in a way that prevents rainfall from entering the containment, which consists of a vertical polyethylene storage tank, SG 1.5, that provides 110% capacity for secondary containment. Valves, bulkhead fittings, nipples, tees and elbows must be 316 stainless steel unless noted. Containment tanks shall have a 16" lockable manway lid located above the storage tank lid. The containment tank shall have plumbing from the storage tank thru the containment tank as follows: 2" stainless steel bolted inlet assembly and flexible interconnect, 2" stainless steel bolted gravity drain assembly and flexible interconnect with stainless steel valve. The flexible interconnects shall be ultra high molecular weight polyethylene chemical hose. The containment tanks shall have a 3" poly vent with cap and screen, 2" drain with PVC valve and plug, 3/4" flexible PVC sight gauge off drain with stainless steel tee and valve. A shutoff valve shall be installed at the 2" outlet of each containment tank and the tanks shall be plumbed with 2" schedule 80 pvc to a common outlet, or T, with a shut off valve at the T. 20' of 100 psi flexible 2" fill hose shall be attached to the inlets of each tank with a 2" polypropylene quick connect. Containment tanks shall have permanent signage labeling inlet, outlet, containment drain and overflow warning sign. The successful bidder is responsible for scheduling with DOH for the availability of a DOH provided crane and operator for unloading or assembling at the site. Containment tanks shall have 4 - 2,500 lb. each, lift lugs securely fastened. Price to include delivery, assembly, labor, parts and material. Delivery: FOB any designated delivery site within the Division of Highways - District 6.	7335 ⁰²	14,670 ⁰²
---	---	--	--------------------	----------------------

BID SHEET DISTRICT 6 (cont.)

Item No.	Estimated Quantity	Description	Unit Cost	Extended Cost
3	1	6,100 gallon heavy duty construction vertical polyethylene storage tank Norwesco Model #40061 or equal with SG 1.9, 119" diameter, 140" height, with a 2" outlet drain and a 2" fill port installed near the top of the tank with 20' of 100 psi flexible 2" fill hose with a 2" polypropylene quick connect attached. Price to include delivery, assembly, labor, parts and materials	4,715 ⁰⁰	4,715 ⁰⁰
		Delivery: FOB any designated delivery site within the Division of Highways - District 6.		

4	1	6,100 gallon heavy duty construction vertical polyethylene storage tank Norwesco Model #40061 or equal with SG 1.9, 119" diameter, 140" height, with a 2" outlet drain and a 2" fill port installed near the top of the tank. This tank shall be enclosed in secondary containment in a way that prevents rainfall from entering the containment, which consists of a vertical polyethylene storage tank, SG 1.5, that provides 110% capacity for secondary containment. Valves, bulkhead fittings, nipples, tees and elbows must be 316 stainless steel unless noted. Containment tanks shall have a 16" lockable manway lid located above the storage tank lid. The containment tank shall have plumbing from the storage tank thru the containment tank as follows: 2" stainless steel bolted inlet assembly and flexible interconnect, 2" stainless steel bolted gravity drain assembly and flexible interconnect with stainless steel valve. The flexible interconnects shall be ultra high molecular weight polyethylene chemical hose. The containment tanks shall have a 3" poly vent with cap and screen, 2" drain with PVC valve and plug, 3/4" flexible PVC sight gauge off drain with stainless steel tee and valve. 20' of 100 psi flexible 2" fill hose shall be attached to the inlets of the tank with a 2" polypropylene quick connect. Containment tank shall have permanent signage labeling inlet, outlet, containment drain and overflow warning sign. The successful bidder is responsible for scheduling with DOH for the availability of a DOH provided crane and operator for unloading or assembling at the site. Containment tanks shall have 4 - 2,500 lb. each, lift lugs securely fastened. Price to include delivery, assembly, labor, parts and materials.	17,270 ⁰⁰	17,270 ⁰⁰
		Delivery: FOB any designated delivery site within the Division of Highways - District 6.		

BID SHEET DISTRICT 7

Item No.	Estimated Quantity	Description	Unit Cost	Extended Cost
1	2	2,500 gallon heavy duty construction vertical polyethylene storage tank Norwesco Model #40052 or equal with SG 1.9, 95" diameter, 91" height, with a 2" outlet drain and a 2" fill port installed near the top of each tank with 20' of 100 psi flexible 2" fill hose with a 2" polypropylene quick connect attached. A shutoff valve shall be installed at the 2" outlet drain of each tank and the tanks shall be plumbed with 2" schedule 80 pvc to a common outlet, or T, with a shut off valve at the T. Price to include delivery, assembly, labor, parts and materials. Delivery: FOB any designated delivery site within Division of Highways - District 7.	2235 ⁰⁰	4,470 ⁰⁰
2	2	2,500 gallon heavy duty construction vertical polyethylene storage tank Norwesco Model #40052 or equal with SG 1.9, 95" diameter, 91" height, with a 2" outlet drain and a 2" fill port installed near the top of each tank. Each tank shall be enclosed in secondary containment in a way that prevents rainfall from entering the containment, which consists of a vertical polyethylene storage tank, SG 1.5, that provides 110% capacity for secondary containment. Valves, bulkhead fittings, nipples, tees and elbows must be 316 stainless steel unless noted. Containment tanks shall have a 16" lockable manway lid located above the storage tank lid. The containment tank shall have plumbing from the storage tank thru the containment tank as follows: 2" stainless steel bolted inlet assembly and flexible interconnect, 2" stainless steel bolted gravity drain assembly and flexible interconnect with stainless steel valve. The flexible interconnects shall be ultra high molecular weight polyethylene chemical hose. The containment tanks shall have a 3" poly vent with cap and screen, 2" drain with PVC valve and plug, 3/4" flexible PVC sight gauge off drain with stainless steel tee and valve. A shutoff valve shall be installed at the 2" outlet of each containment tank and the tanks shall be plumbed with 2" schedule 80 pvc to a common outlet, or T, with a shut off valve at the T. 20' of 100 psi flexible 2" fill hose shall be attached to the inlets of each tank with a 2" polypropylene quick connect. Containment tanks shall have permanent signage labeling inlet, outlet, containment drain and overflow warning sign. The successful bidder is responsible for scheduling with DOH for the availability of a DOH provided crane and operator for unloading or assembling at the site. Containment tanks shall have 4 - 2,500 lb. each, lift lugs securely fastened. Price to include delivery, assembly, labor, parts and material. Delivery: FOB any designated delivery site within the Division of Highways - District 7.	7335 ⁰⁰	14,670 ⁰⁰

BID SHEET DISTRICT 7 (cont.)

Item No.	Estimated Quantity	Description	Unit Cost	Extended Cost
3	1	6,100 gallon heavy duty construction vertical polyethylene storage tank Norwesco Model #40061 or equal with SG 1.9, 119" diameter, 140" height, with a 2" outlet drain and a 2" fill port installed near the top of the tank with 20' of 100 psi flexible 2" fill hose with a 2" polypropylene quick connect attached. Price to include delivery, assembly, labor, parts and materials Delivery: FOB any designated delivery site within the Division of Highways - District 7.	4,685 ⁰⁰	4,685 ⁰⁰
4	1	6,100 gallon heavy duty construction vertical polyethylene storage tank Norwesco Model #40061 or equal with SG 1.9, 119" diameter, 140" height, with a 2" outlet drain and a 2" fill port installed near the top of the tank. This tank shall be enclosed in secondary containment in a way that prevents rainfall from entering the containment, which consists of a vertical polyethylene storage tank, SG 1.5, that provides 110% capacity for secondary containment. Valves, bulkhead fittings, nipples, tees and elbows must be 316 stainless steel unless noted. Containment tanks shall have a 16" lockable manway lid located above the storage tank lid. The containment tank shall have plumbing from the storage tank thru the containment tank as follows: 2" stainless steel bolted inlet assembly and flexible interconnect, 2" stainless steel bolted gravity drain assembly and flexible interconnect with stainless steel valve. The flexible interconnects shall be ultra high molecular weight polyethylene chemical hose. The containment tanks shall have a 3" poly vent with cap and screen, 2" drain with PVC valve and plug, 3/4" flexible PVC sight gauge off drain with stainless steel tee and valve. 20' of 100 psi flexible 2" fill hose shall be attached to the inlets of the tank with a 2" polypropylene quick connect. Containment tank shall have permanent signage labeling inlet, outlet, containment drain and overfill warning sign. The successful bidder is responsible for scheduling with DOH for the availability of a DOH provided crane and operator for unloading or assembling at the site. Containment tanks shall have 4 - 2,500 lb. each, lift lugs securely fastened. Price to include delivery, assembly, labor, parts and materials. Delivery: FOB any designated delivery site within the Division of Highways - District 7.	17,420 ⁰⁰	17,420 ⁰⁰

BID SHEET DISTRICT 8

Item No.	Estimated Quantity	Description	Unit Cost	Extended Cost
1	2	2,500 gallon heavy duty construction vertical polyethylene storage tank Norwesco Model #40052 or equal with SG 1.9, 95" diameter, 91" height, with a 2" outlet drain and a 2" fill port installed near the top of each tank with 20' of 100 psi flexible 2" fill hose with a 2" polypropylene quick connect attached. A shutoff valve shall be installed at the 2" outlet drain of each tank and the tanks shall be plumbed with 2" schedule 80 pvc to a common outlet, or T, with a shut off valve at the T. Price to include delivery, assembly, labor, parts and materials. Delivery: FOB any designated delivery site within Division of Highways - District 8.	2335 ⁰⁰	4,670 ⁰⁰

2	2	2,500 gallon heavy duty construction vertical polyethylene storage tank Norwesco Model #40052 or equal with SG 1.9, 95" diameter, 91" height, with a 2" outlet drain and a 2" fill port installed near the top of each tank. Each tank shall be enclosed in secondary containment in a way that prevents rainfall from entering the containment, which consists of a vertical polyethylene storage tank, SG 1.5, that provides 110% capacity for secondary containment. Valves, bulkhead fittings, nipples, tees and elbows must be 316 stainless steel unless noted. Containment tanks shall have a 16" lockable manway lid located above the storage tank lid. The containment tank shall have plumbing from the storage tank thru the containment tank as follows: 2" stainless steel bolted inlet assembly and flexible interconnect, 2" stainless steel bolted gravity drain assembly and flexible interconnect with stainless steel valve. The flexible interconnects shall be ultra high molecular weight polyethylene chemical hose. The containment tanks shall have a 3" poly vent with cap and screen, 2" drain with PVC valve and plug, 3/4" flexible PVC sight gauge off drain with stainless steel tee and valve. A shutoff valve shall be installed at the 2" outlet of each containment tank and the tanks shall be plumbed with 2" schedule 80 pvc to a common outlet, or T, with a shut off valve at the T. 20' of 100 psi flexible 2" fill hose shall be attached to the inlets of each tank with a 2" polypropylene quick connect. Containment tanks shall have permanent signage labeling inlet, outlet, containment drain and overfill warning sign. The successful bidder is responsible for scheduling with DOH for the availability of a DOH provided crane and operator for unloading or assembling at the site. Containment tanks shall have 4 - 2,500 lb. each, lift lugs securely fastened. Price to include delivery, assembly, labor, parts and material. Delivery: FOB any designated delivery site within the Division of Highways - District 8.	7435 ⁰⁰	14,870 ⁰⁰
---	---	--	--------------------	----------------------

BID SHEET DISTRICT 8 (cont.)

Item No.	Estimated Quantity	Description	Unit Cost	Extended Cost
3	1	6,100 gallon heavy duty construction vertical polyethylene storage tank Norwesco Model #40061 or equal with SG 1.9, 119" diameter, 140" height, with a 2" outlet drain and a 2" fill port installed near the top of the tank with 20' of 100 psi flexible 2" fill hose with a 2" polypropylene quick connect attached. Price to include delivery, assembly, labor, parts and materials Delivery: FOB any designated delivery site within the Division of Highways - District 8.	4,670 ⁰⁰	4,670 ⁰⁰
4	1	6,100 gallon heavy duty construction vertical polyethylene storage tank Norwesco Model #40061 or equal with SG 1.9, 119" diameter, 140" height, with a 2" outlet drain and a 2" fill port installed near the top of the tank. This tank shall be enclosed in secondary containment in a way that prevents rainfall from entering the containment, which consists of a vertical polyethylene storage tank, SG 1.5, that provides 110% capacity for secondary containment. Valves, bulkhead fittings, nipples, tees and elbows must be 316 stainless steel unless noted. Containment tanks shall have a 16" lockable manway lid located above the storage tank lid. The containment tank shall have plumbing from the storage tank thru the containment tank as follows: 2" stainless steel bolted inlet assembly and flexible interconnect, 2" stainless steel bolted gravity drain assembly and flexible interconnect with stainless steel valve. The flexible interconnects shall be ultra high molecular weight polyethylene chemical hose. The containment tanks shall have a 3" poly vent with cap and screen, 2" drain with PVC valve and plug, 3/4" flexible PVC sight gauge off drain with stainless steel tee and valve. 20' of 100 psi flexible 2" fill hose shall be attached to the inlets of the tank with a 2" polypropylene quick connect. Containment tank shall have permanent signage labeling inlet, outlet, containment drain and overfill warning sign. The successful bidder is responsible for scheduling with DOH for the availability of a DOH provided crane and operator for unloading or assembling at the site. Containment tanks shall have 4 - 2,500 lb. each, lift lugs securely fastened. Price to include delivery, assembly, labor, parts and materials. Delivery: FOB any designated delivery site within the Division of Highways - District 8.	17,520 ⁰⁰	17,520 ⁰⁰

BID SHEET DISTRICT 9

Item No.	Estimated Quantity	Description	Unit Cost	Extended Cost
1	2	2,500 gallon heavy duty construction vertical polyethylene storage tank Norwesco Model #40052 or equal with SG 1.9, 95" diameter, 91" height, with a 2" outlet drain and a 2" fill port installed near the top of each tank with 20' of 100 psi flexible 2" fill hose with a 2" polypropylene quick connect attached. A shutoff valve shall be installed at the 2" outlet drain of each tank and the tanks shall be plumbed with 2" schedule 80 pvc to a common outlet, or T, with a shut off valve at the T. Price to include delivery, assembly, labor, parts and materials. Delivery: FOB any designated delivery site within Division of Highways - District 9.	2235 ⁰⁰	4,470 ⁰⁰
2	2	2,500 gallon heavy duty construction vertical polyethylene storage tank Norwesco Model #40052 or equal with SG 1.9, 95" diameter, 91" height, with a 2" outlet drain and a 2" fill port installed near the top of each tank. Each tank shall be enclosed in secondary containment in a way that prevents rainfall from entering the containment, which consists of a vertical polyethylene storage tank, SG 1.5, that provides 110% capacity for secondary containment. Valves, bulkhead fittings, nipples, tees and elbows must be 316 stainless steel unless noted. Containment tanks shall have a 16" lockable manway lid located above the storage tank lid. The containment tank shall have plumbing from the storage tank thru the containment tank as follows: 2" stainless steel bolted inlet assembly and flexible interconnect, 2" stainless steel bolted gravity drain assembly and flexible interconnect with stainless steel valve. The flexible interconnects shall be ultra high molecular weight polyethylene chemical hose. The containment tanks shall have a 3" poly vent with cap and screen, 2" drain with PVC valve and plug, 3/4" flexible PVC sight gauge off drain with stainless steel tee and valve. A shutoff valve shall be installed at the 2" outlet of each containment tank and the tanks shall be plumbed with 2" schedule 80 pvc to a common outlet, or T, with a shut off valve at the T. 20' of 100 psi flexible 2" fill hose shall be attached to the inlets of each tank with a 2" polypropylene quick connect. Containment tanks shall have permanent signage labeling inlet, outlet, containment drain and overfill warning sign. The successful bidder is responsible for scheduling with DOH for the availability of a DOH provided crane and operator for unloading or assembling at the site. Containment tanks shall have 4 - 2,500 lb. each, lift lugs securely fastened. Price to include delivery, assembly, labor, parts and material. Delivery: FOB any designated delivery site within the Division of Highways - District 9.	7335 ⁰⁰	14,670 ⁰⁰

BID SHEET DISTRICT 9 (cont.)

Item No.	Estimated Quantity	Description	Unit Cost	Extended Cost
3	1	6,100 gallon heavy duty construction vertical polyethylene storage tank Norwesco Model #40061 or equal with SG 1.9, 119" diameter, 140" height, with a 2" outlet drain and a 2" fill port installed near the top of the tank with 20' of 100 psi flexible 2" fill hose with a 2" polypropylene quick connect attached. Price to include delivery, assembly, labor, parts and materials Delivery: FOB any designated delivery site within the Division of Highways - District 9.	4,720 ⁰⁰	4,720 ⁰⁰
4	1	6,100 gallon heavy duty construction vertical polyethylene storage tank Norwesco Model #40061 or equal with SG 1.9, 119" diameter, 140" height, with a 2" outlet drain and a 2" fill port installed near the top of the tank. This tank shall be enclosed in secondary containment in a way that prevents rainfall from entering the containment, which consists of a vertical polyethylene storage tank, SG 1.5, that provides 110% capacity for secondary containment. Valves, bulkhead fittings, nipples, tees and elbows must be 316 stainless steel unless noted. Containment tanks shall have a 16" lockable manway lid located above the storage tank lid. The containment tank shall have plumbing from the storage tank thru the containment tank as follows: 2" stainless steel bolted inlet assembly and flexible interconnect, 2" stainless steel bolted gravity drain assembly and flexible interconnect with stainless steel valve. The flexible interconnects shall be ultra high molecular weight polyethylene chemical hose. The containment tanks shall have a 3" poly vent with cap and screen, 2" drain with PVC valve and plug, 3/4" flexible PVC sight gauge off drain with stainless steel tee and valve. 20' of 100 psi flexible 2" fill hose shall be attached to the inlets of the tank with a 2" polypropylene quick connect. Containment tank shall have permanent signage labeling inlet, outlet, containment drain and overflow warning sign. The successful bidder is responsible for scheduling with DOH for the availability of a DOH provided crane and operator for unloading or assembling at the site. Containment tanks shall have 4 - 2,500 lb. each, lift lugs securely fastened. Price to include delivery, assembly, labor, parts and materials. Delivery: FOB any designated delivery site within the Division of Highways - District 9.	17,420 ⁰⁰	17,420 ⁰⁰

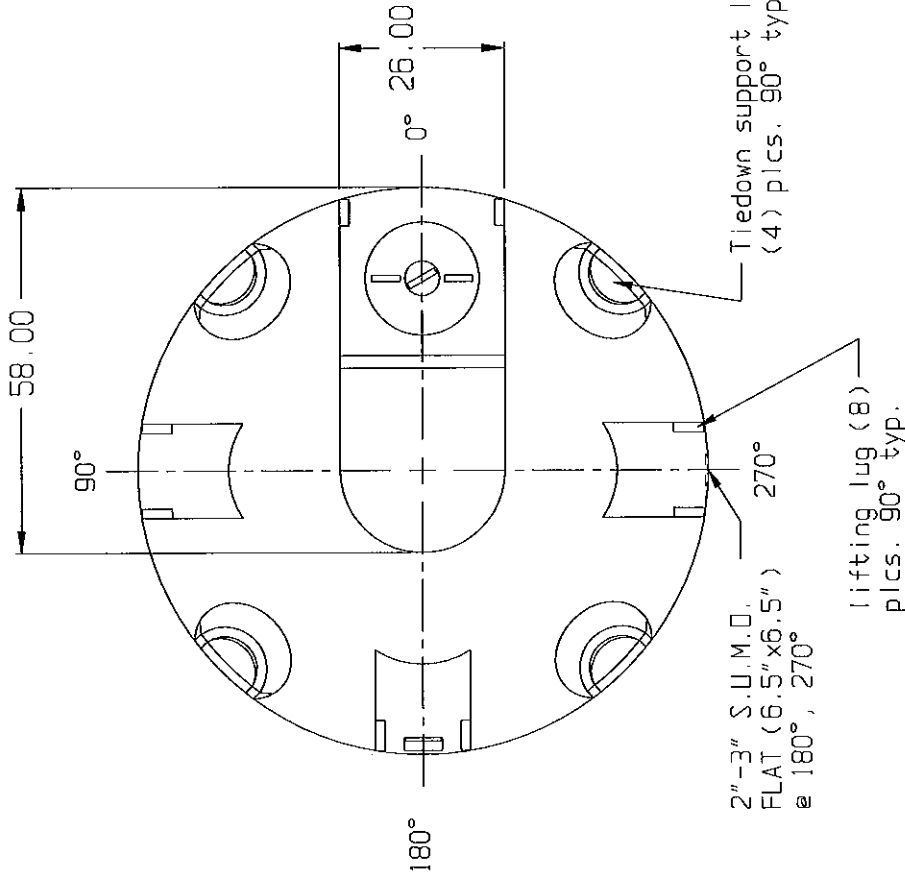
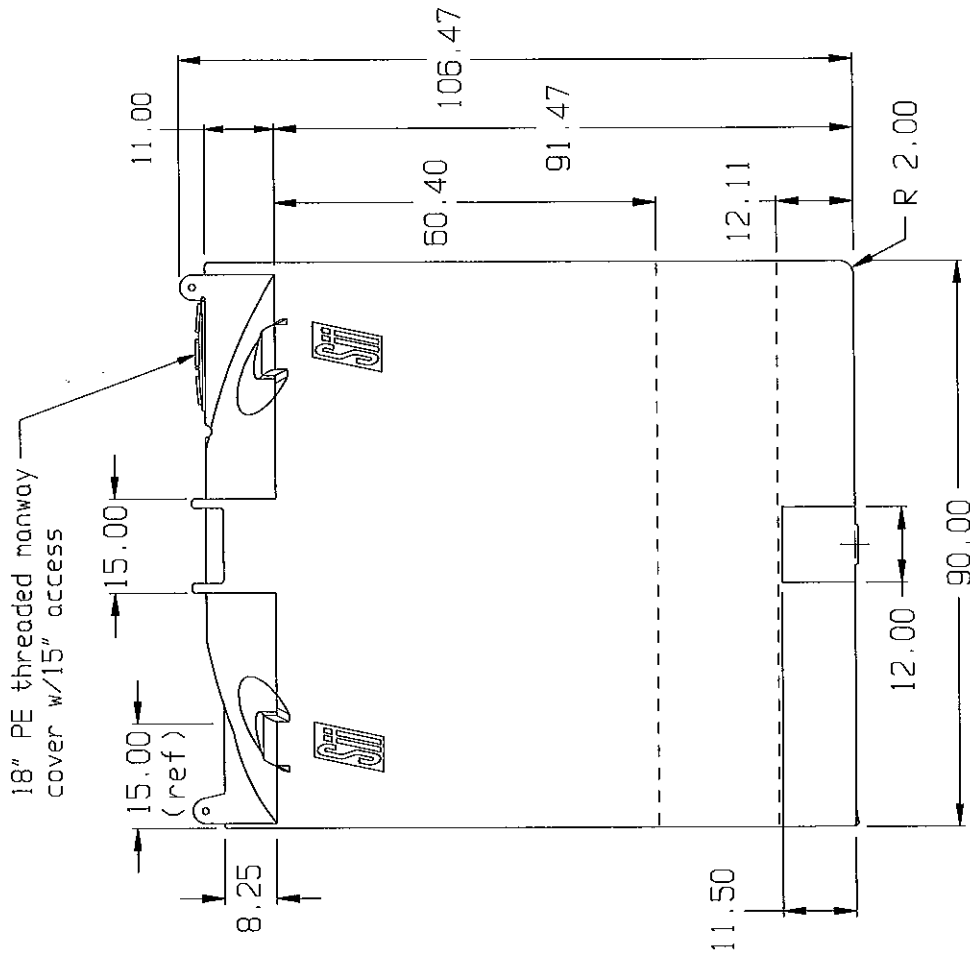
BID SHEET DISTRICT 10

Item No.	Estimated Quantity	Description	Unit Cost	Extended Cost
1	2	2,500 gallon heavy duty construction vertical polyethylene storage tank Norwesco Model #40052 or equal with SG 1.9, 95" diameter, 91" height, with a 2" outlet drain and a 2" fill port installed near the top of each tank with 20' of 100 psi flexible 2" fill hose with a 2" polypropylene quick connect attached. A shutoff valve shall be installed at the 2" outlet drain of each tank and the tanks shall be plumbed with 2" schedule 80 pvc to a common outlet, or T, with a shut off valve at the T. Price to include delivery, assembly, labor, parts and materials. Delivery: FOB any designated delivery site within Division of Highways - District 10.	2235 ⁰⁰	4470 ⁰⁰
2	2	2,500 gallon heavy duty construction vertical polyethylene storage tank Norwesco Model #40052 or equal with SG 1.9, 95" diameter, 91" height, with a 2" outlet drain and a 2" fill port installed near the top of each tank. Each tank shall be enclosed in secondary containment in a way that prevents rainfall from entering the containment, which consists of a vertical polyethylene storage tank, SG 1.5, that provides 110% capacity for secondary containment. Valves, bulkhead fittings, nipples, tees and elbows must be 316 stainless steel unless noted. Containment tanks shall have a 16" lockable manway lid located above the storage tank lid. The containment tank shall have plumbing from the storage tank thru the containment tank as follows: 2" stainless steel bolted inlet assembly and flexible interconnect, 2" stainless steel bolted gravity drain assembly and flexible interconnect with stainless steel valve. The flexible interconnects shall be ultra high molecular weight polyethylene chemical hose. The containment tanks shall have a 3" poly vent with cap and screen, 2" drain with PVC valve and plug, 3/4" flexible PVC sight gauge off drain with stainless steel tee and valve. A shutoff valve shall be installed at the 2" outlet of each containment tank and the tanks shall be plumbed with 2" schedule 80 pvc to a common outlet, or T, with a shut off valve at the T. 20' of 100 psi flexible 2" fill hose shall be attached to the inlets of each tank with a 2" polypropylene quick connect. Containment tanks shall have permanent signage labeling inlet, outlet, containment drain and overfill warning sign. The successful bidder is responsible for scheduling with DOH for the availability of a DOH provided crane and operator for unloading or assembling at the site. Containment tanks shall have 4 - 2,500 lb. each, lift lugs securely fastened. Price to include delivery, assembly, labor, parts and material. Delivery: FOB any designated delivery site within the Division of Highways - District 10.	7385 ⁰⁰	14,770 ⁰⁰

BID SHEET DISTRICT 10 (cont.)

Item No.	Estimated Quantity	Description	Unit Cost	Extended Cost
3	1	6,100 gallon heavy duty construction vertical polyethylene storage tank Norwesco Model #40061 or equal with SG 1.9, 119" diameter, 140" height, with a 2" outlet drain and a 2" fill port installed near the top of the tank with 20' of 100 psi flexible 2" fill hose with a 2" polypropylene quick connect attached. Price to include delivery, assembly, labor, parts and materials Delivery: FOB any designated delivery site within the Division of Highways - District 10.	4,745 ⁰⁰	4,745 ⁰⁰
4	1	6,100 gallon heavy duty construction vertical polyethylene storage tank Norwesco Model #40061 or equal with SG 1.9, 119" diameter, 140" height, with a 2" outlet drain and a 2" fill port installed near the top of the tank. This tank shall be enclosed in secondary containment in a way that prevents rainfall from entering the containment, which consists of a vertical polyethylene storage tank, SG 1.5, that provides 110% capacity for secondary containment. Valves, bulkhead fittings, nipples, tees and elbows must be 316 stainless steel unless noted. Containment tanks shall have a 16" lockable manway lid located above the storage tank lid. The containment tank shall have plumbing from the storage tank thru the containment tank as follows: 2" stainless steel bolted inlet assembly and flexible interconnect, 2" stainless steel bolted gravity drain assembly and flexible interconnect with stainless steel valve. The flexible interconnects shall be ultra high molecular weight polyethylene chemical hose. The containment tanks shall have a 3" poly vent with cap and screen, 2" drain with PVC valve and plug, 3/4" flexible PVC sight gauge off drain with stainless steel tee and valve. 20' of 100 psi flexible 2" fill hose shall be attached to the inlets of the tank with a 2" polypropylene quick connect. Containment tank shall have permanent signage labeling inlet, outlet, containment drain and overfill warning sign. The successful bidder is responsible for scheduling with DOH for the availability of a DOH provided crane and operator for unloading or assembling at the site. Containment tanks shall have 4 - 2,500 lb. each, lift lugs securely fastened. Price to include delivery, assembly, labor, parts and materials. Delivery: FOB any designated delivery site within the Division of Highways - District 10.	17,420 ⁰⁰	17,420 ⁰⁰

SNYDER INDUSTRIES INC.



Varitech Industries, Inc.
 4115 Minnesota Street
 P.O. Box 457
 Alexandria, MN 56308

(all dimensions in inches)

PART # TANK: 5090--L

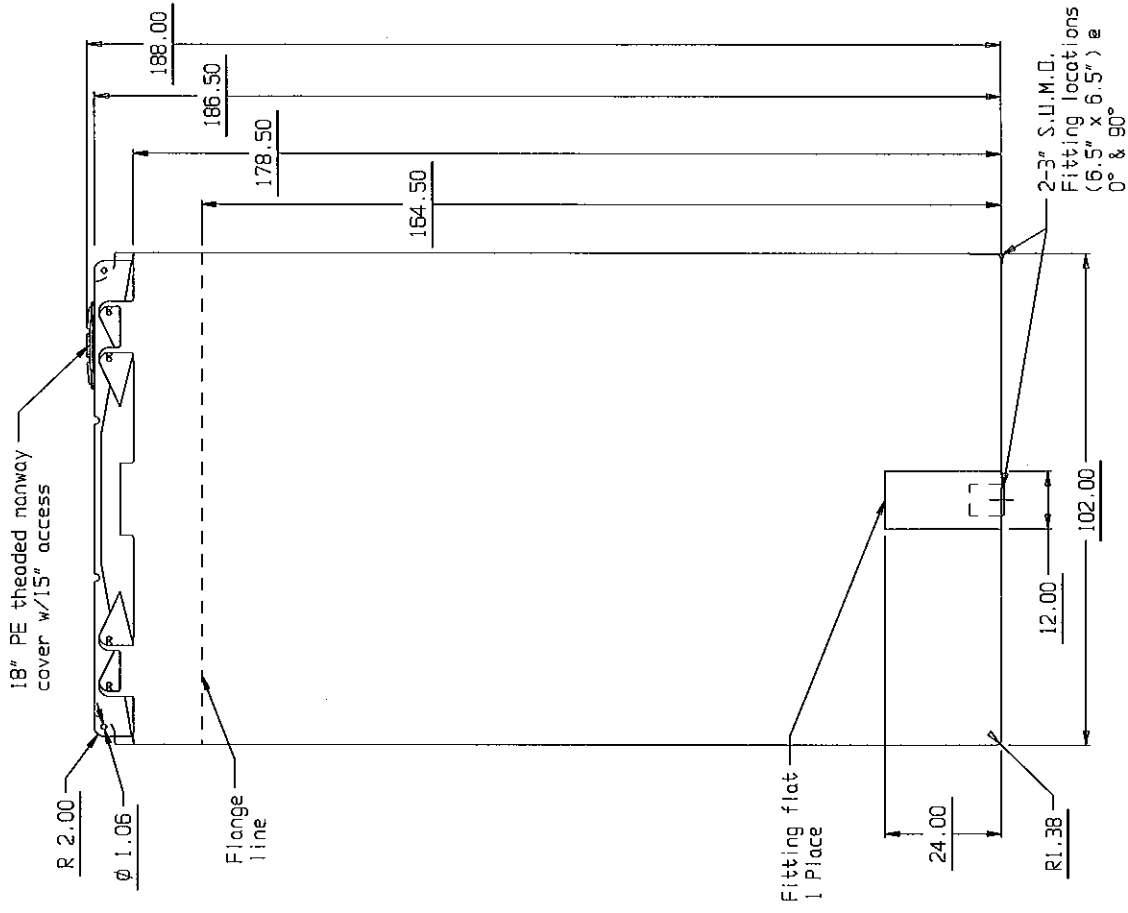
REF#: 0000

06/27/02

BASE FITTINGS TO BE LEFT INSTALLED AT TIME OF SHIPMENT PER S.I.I. PROCEDURE

2,500 GALLON FLAT BOTTOM TANK

SNYDER INDUSTRIES INC.



(all dimensions in inches)

PART # TANK: 7430000N--L

REF#: 0000

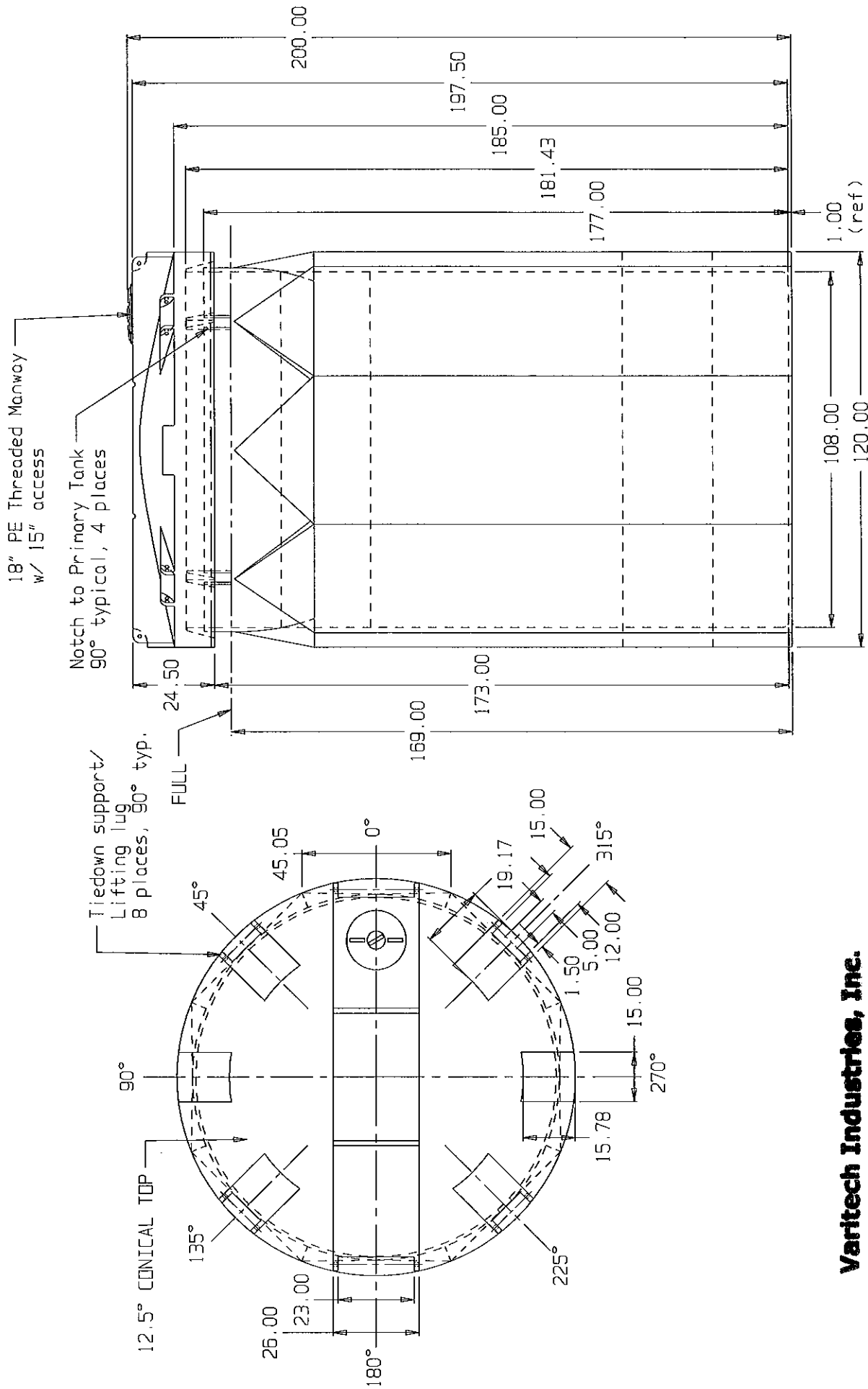
01/06/04

Varitech Industries, Inc.
 4115 Minnesota Street
 P.O. Box 457
 Alexandria, MN 56308

* BASE FITTINGS TO BE LEFT INSTALLED AT TIME OF SHIPMENT PER SII PROCEDURE
 * Consult Snyder's Guide Lines for Use and Installation prior to delivery.
 Available on-line at www.snydernet.com

6,000 GALLON FLAT BOTTOM TANK

SNYDER INDUSTRIES INC.



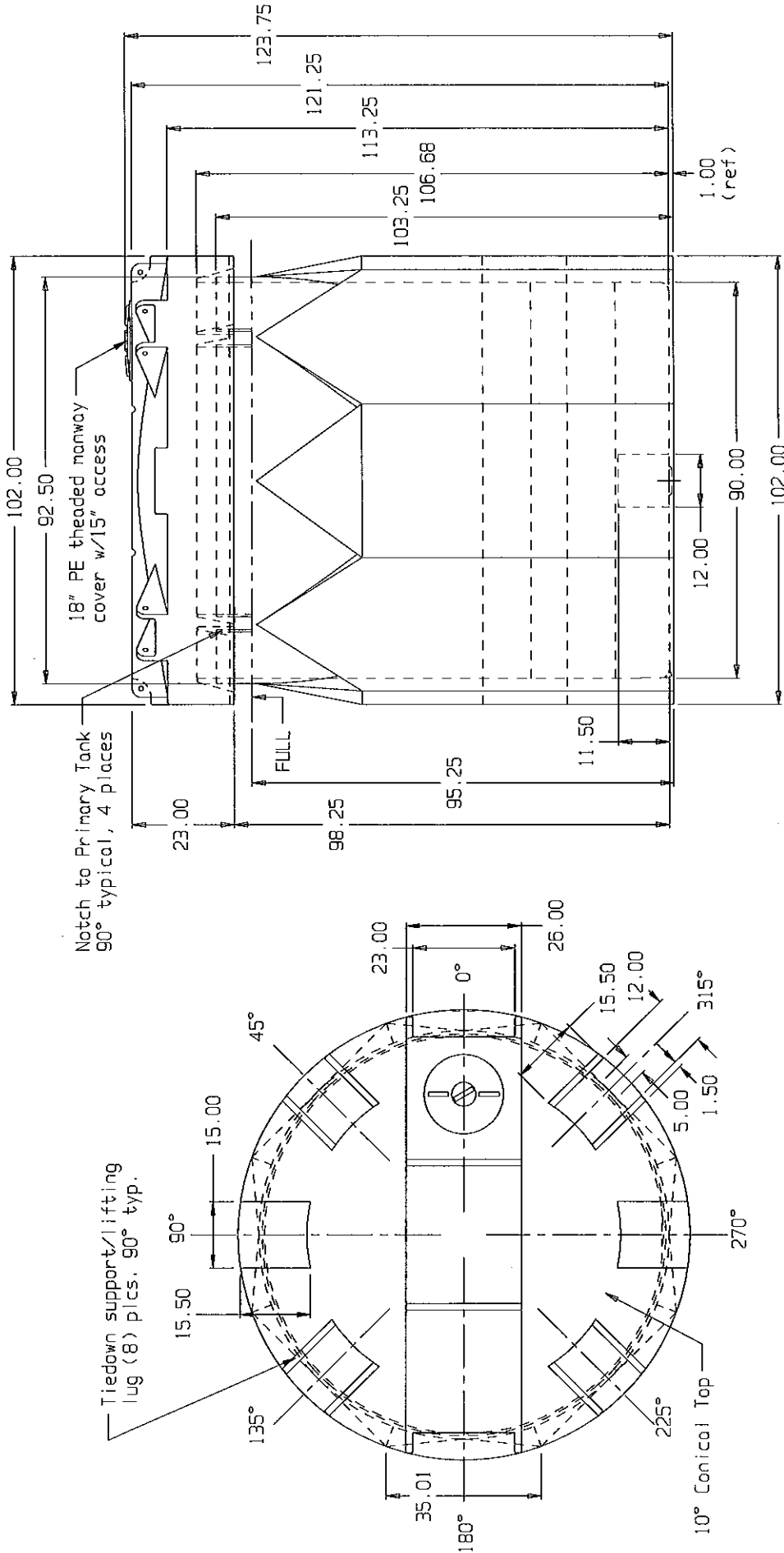
Varitech Industries, Inc.
 4115 Minnesota Street
 P.O. Box 457
 Alexandria, MN 56308

(all dimensions in inches)
 PART # PRIMARY: 5670--
 CONTAINMENT: 5650--
 REF#: 0000 06/28/02

BASE FITTINGS TO BE LEFT INSTALLED AT TIME OF SHIPMENT PER S11 PROCEDURE

6,500 GALLON CAPTOR CONTAINMENT SYSTEM

SNYDER INDUSTRIES INC.



(all dimensions in inches)

PART # PRIMARY: 5580--

CONTAINMENT: 5510--

REF#: 0000

07/29/02

Varitech Industries, Inc.
 4115 Minnesota Street
 P.O. Box 457
 Alexandria, MN 56308

BASE FITTINGS TO BE LEFT INSTALLED AT TIME OF SHIPMENT PER S.I.I. PROCEDURE

2,500 GALLON CAPTOR CONTAINMENT SYSTEM

VENDOR PREFERENCE CERTIFICATE

Certification and application* is hereby made for Preference in accordance with **West Virginia Code**, §5A-3-37. (Does not apply to construction contracts). **West Virginia Code**, §5A-3-37, provides an opportunity for qualifying vendors to request (at the time of bid) preference for their residency status. Such preference is an evaluation method only and will be applied only to the cost bid in accordance with the **West Virginia Code**. This certificate for application is to be used to request such preference. The Purchasing Division will make the determination of the Resident Vendor Preference, if applicable.

1. Application is made for 2.5% resident vendor preference for the reason checked:

- Bidder is an individual resident vendor and has resided continuously in West Virginia for four (4) years immediately preceding the date of this certification; **or**,
- Bidder is a partnership, association or corporation resident vendor and has maintained its headquarters or principal place of business continuously in West Virginia for four (4) years immediately preceding the date of this certification; or 80% of the ownership interest of Bidder is held by another individual, partnership, association or corporation resident vendor who has maintained its headquarters or principal place of business continuously in West Virginia for four (4) years immediately preceding the date of this certification; **or**,
- Bidder is a nonresident vendor which has an affiliate or subsidiary which employs a minimum of one hundred state residents and which has maintained its headquarters or principal place of business within West Virginia continuously for the four (4) years immediately preceding the date of this certification; **or**,

2. Application is made for 2.5% resident vendor preference for the reason checked:

- Bidder is a resident vendor who certifies that, during the life of the contract, on average at least 75% of the employees working on the project being bid are residents of West Virginia who have resided in the state continuously for the two years immediately preceding submission of this bid; **or**,

3. Application is made for 2.5% resident vendor preference for the reason checked:

- Bidder is a nonresident vendor employing a minimum of one hundred state residents or is a nonresident vendor with an affiliate or subsidiary which maintains its headquarters or principal place of business within West Virginia employing a minimum of one hundred state residents who certifies that, during the life of the contract, on average at least 75% of the employees or Bidder's affiliate's or subsidiary's employees are residents of West Virginia who have resided in the state continuously for the two years immediately preceding submission of this bid; **or**,

4. Application is made for 5% resident vendor preference for the reason checked:

- Bidder meets either the requirement of both subdivisions (1) and (2) or subdivision (1) and (3) as stated above; **or**,

5. Application is made for 3.5% resident vendor preference who is a veteran for the reason checked:

- Bidder is an individual resident vendor who is a veteran of the United States armed forces, the reserves or the National Guard and has resided in West Virginia continuously for the four years immediately preceding the date on which the bid is submitted; **or**,

6. Application is made for 3.5% resident vendor preference who is a veteran for the reason checked:

- Bidder is a resident vendor who is a veteran of the United States armed forces, the reserves or the National Guard, if, for purposes of producing or distributing the commodities or completing the project which is the subject of the vendor's bid and continuously over the entire term of the project, on average at least seventy-five percent of the vendor's employees are residents of West Virginia who have resided in the state continuously for the two immediately preceding years.

Bidder understands if the Secretary of Revenue determines that a Bidder receiving preference has failed to continue to meet the requirements for such preference, the Secretary may order the Director of Purchasing to: (a) reject the bid; or (b) assess a penalty against such Bidder in an amount not to exceed 5% of the bid amount and that such penalty will be paid to the contracting agency or deducted from any unpaid balance on the contract or purchase order.

By submission of this certificate, Bidder agrees to disclose any reasonably requested information to the Purchasing Division and authorizes the Department of Revenue to disclose to the Director of Purchasing appropriate information verifying that Bidder has paid the required business taxes, provided that such information does not contain the amounts of taxes paid nor any other information deemed by the Tax Commissioner to be confidential.

Under penalty of law for false swearing (West Virginia Code, §61-5-3), Bidder hereby certifies that this certificate is true and accurate in all respects; and that if a contract is issued to Bidder and if anything contained within this certificate changes during the term of the contract, Bidder will notify the Purchasing Division in writing immediately.

Bidder: VariTech Industries Inc.

Signed: 

Date: 2-4-11

Title: Central Sales

*Check any combination of preference consideration(s) indicated above, which you are entitled to receive.

RFQ No. 6611C 019

STATE OF WEST VIRGINIA
Purchasing Division

PURCHASING AFFIDAVIT

West Virginia Code §5A-3-10a states: No contract or renewal of any contract may be awarded by the state or any of its political subdivisions to any vendor or prospective vendor when the vendor or prospective vendor or a related party to the vendor or prospective vendor is a debtor and the debt owed is an amount greater than one thousand dollars in the aggregate.

DEFINITIONS:

"Debt" means any assessment, premium, penalty, fine, tax or other amount of money owed to the state or any of its political subdivisions because of a judgment, fine, permit violation, license assessment, defaulted workers' compensation premium, penalty or other assessment presently delinquent or due and required to be paid to the state or any of its political subdivisions, including any interest or additional penalties accrued thereon.

"Debtor" means any individual, corporation, partnership, association, limited liability company or any other form or business association owing a debt to the state or any of its political subdivisions. "Political subdivision" means any county commission; municipality; county board of education; any instrumentality established by a county or municipality; any separate corporation or instrumentality established by one or more counties or municipalities, as permitted by law; or any public body charged by law with the performance of a government function or whose jurisdiction is coextensive with one or more counties or municipalities. "Related party" means a party, whether an individual, corporation, partnership, association, limited liability company or any other form or business association or other entity whatsoever, related to any vendor by blood, marriage, ownership or contract through which the party has a relationship of ownership or other interest with the vendor so that the party will actually or by effect receive or control a portion of the benefit, profit or other consideration from performance of a vendor contract with the party receiving an amount that meets or exceed five percent of the total contract amount.

EXCEPTION: The prohibition of this section does not apply where a vendor has contested any tax administered pursuant to chapter eleven of this code, workers' compensation premium, permit fee or environmental fee or assessment and the matter has not become final or where the vendor has entered into a payment plan or agreement and the vendor is not in default of any of the provisions of such plan or agreement.

Under penalty of law for false swearing (*West Virginia Code* §61-5-3), it is hereby certified that the vendor affirms and acknowledges the information in this affidavit and is in compliance with the requirements as stated.

WITNESS THE FOLLOWING SIGNATURE

Vendor's Name: VariTech Industries Inc.

Authorized Signature: [Signature] Date: 2-4-11

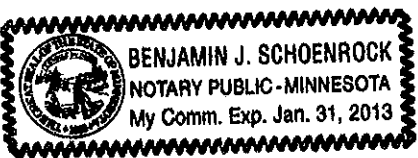
State of Minnesota

County of Douglas, to-wit:

Taken, subscribed, and sworn to before me this 4TH day of FEBRUARY, 2011.

My Commission expires JANUARY 31, 2013.

AFFIX SEAL HERE



NOTARY PUBLIC

[Signature]