



State of West Virginia  
 Department of Administration  
 Purchasing Division  
 2019 Washington Street East  
 Post Office Box 50130  
 Charleston, WV 25305-0130

# Request for Quotation

RFQ NUMBER  
**DNR209018**

PAGE  
**1**

ADDRESS CORRESPONDENCE TO ATTENTION OF  
**FRANK WHITTAKER  
 304-558-2316**

RFQ COPY

TYPE NAME/ADDRESS HERE  
**Ashwoeth's Inc dba United Cycle  
 3797 Robert C Byrd Drive  
 Beckley, WV 25801**

SHIP TO

**DIVISION OF TOURISM & PARKS  
 KUMBRABOW STATE FOREST  
 ATTN: PARK SUPERINTENDENT  
 BOX 65  
 HUTTONSVILLE, WV  
 26273 335-2219**

DATE PRINTED	TERMS OF SALE	SHIP VIA	F.O.B.	FREIGHT TERMS
<b>08/25/2008</b>				

BID OPENING DATE: **09/18/2008** BID OPENING TIME **01:30PM**

LINE	QUANTITY	UOP	CAT NO	ITEM NUMBER	UNIT PRICE	AMOUNT
0001	1	LS		020-89	<b>46,825.08</b>	<b>46,825.08</b>
<p>TRACTORS, FARM, WHEEL TYPE</p> <p>THE WEST VIRGINIA PURCHASING DIVISION, FOR THE AGENCY, THE WEST VIRGINIA DIVISION OF NATURAL RESOURCES, IS SOLICITING BIDS FOR 1 KUBOTA MODEL M6040 TRACTOR OR EQUAL WITH ATTACHMENTS TO BE DELIVERED TO THE KUMBRABOW STATE FOREST.</p> <p>TECHNICAL QUESTIONS MUST BE SUBMITTED IN WRITING TO: WV PURCHASING DIVISION C/O FRANK WHITTAKER VIA FAX AT 304-558-4115 OR EMAIL AT FRANK.M.WHITTAKER@WV.GOV. DEADLINE FOR ALL TECHNICAL QUESTIONS IS MONDAY, SEPTEMBER 08, 2008 AT CLOSE OF BUSINESS. ALL TECHNICAL QUESTIONS WILL BE RESPONDED TO BY ADDENDUM AFTER THE DEADLINE. NONTECHNICAL QUESTIONS MAY BE SUBMITTED ANYTIME PRIOR TO THE BID OPENING.</p> <p>BANKRUPTCY: IN THE EVENT THE VENDOR/CONTRACTOR FILES FOR BANKRUPTCY PROTECTION, THIS CONTRACT MAY BE DEEMED NULL AND VOID, AND TERMINATED WITHOUT FURTHER ORDER.</p> <p>VENDOR PREFERENCE CERTIFICATE</p> <p>CERTIFICATION AND APPLICATION* IS HEREBY MADE FOR PREFERENCE IN ACCORDANCE WITH WEST VIRGINIA CODE, 5A-3-37 (DOES NOT APPLY TO CONSTRUCTION CONTRACTS).</p> <p>A. APPLICATION IS MADE FOR 2.5% PREFERENCE FOR THE REASON CHECKED:</p> <p>( ) BIDDER IS AN INDIVIDUAL RESIDENT VENDOR AND</p>						

RECEIVED  
 08 SEP 19 AM 10:10  
 PURCHASING DIVISION  
 STATE OF WV

SEE REVERSE SIDE FOR TERMS AND CONDITIONS

SIGNATURE *[Signature]* TELEPHONE **304-252-9775** DATE **9-17-08**

TITLE **Pres** FEIN **55056-2759-001** ADDRESS CHANGES TO BE NOTED ABOVE

WHEN RESPONDING TO RFQ, INSERT NAME AND ADDRESS IN SPACE ABOVE LABELED 'VENDOR'

**GENERAL TERMS & CONDITIONS  
REQUEST FOR QUOTATION (RFQ) AND REQUEST FOR PROPOSAL (RFP)**

1. Awards will be made in the best interest of the State of West Virginia.
2. The State may accept or reject in part, or in whole, any bid.
3. All quotations are governed by the *West Virginia Code* and the *Legislative Rules* of the Purchasing Division.
4. Prior to any award, the apparent successful vendor must be properly registered with the Purchasing Division and have paid the required \$125.00 registration fee.
5. All services performed or goods delivered under State Purchase Orders/Contracts are to be continued for the term of the Purchase Order/Contract, contingent upon funds being appropriated by the Legislature or otherwise being made available. In the event funds are not appropriated or otherwise available for these services or goods, this Purchase Order/Contract becomes void and of no effect after June 30.
6. Payment may only be made after the delivery and acceptance of goods or services.
7. Interest may be paid for late payment in accordance with the *West Virginia Code*.
8. Vendor preference will be granted upon written request in accordance with the *West Virginia Code*.
9. The State of West Virginia is exempt from federal and state taxes and will not pay or reimburse such taxes.
10. The Director of Purchasing may cancel any Purchase Order/Contract upon 30 days written notice to the seller.
11. The laws of the State of West Virginia and the *Legislative Rules* of the Purchasing Division shall govern all rights and duties under the Contract, including without limitation the validity of this Purchase Order/Contract.
12. Any reference to automatic renewal is hereby deleted. The Contract may be renewed only upon mutual written agreement of the parties.
13. **BANKRUPTCY:** In the event the vendor/contractor files for bankruptcy protection, this Contract may be deemed null and void, and terminated without further order.
14. **HIPAA Business Associate Addendum:** The West Virginia State Government HIPAA Business Associate Addendum (BAA), approved by the Attorney General, and available online at the Purchasing Division's web site (<http://www.state.wv.us/admin/purchase/vrc/hipaa.htm>) is hereby made part of the agreement. Provided that, the Agency meets the definition of a Covered Entity (45 CFR §160.103) and will be disclosing Protected Health Information (45 CFR §160.103) to the vendor.
15. **West Virginia Alcohol & Drug-Free Workplace Act:** If this Contract constitutes a public improvement construction contract as set forth in Article 1D, Chapter 21 of the West Virginia Code ("The West Virginia Alcohol and Drug-Free Workplace Act"), then the following language shall hereby become part of this Contract: "The contractor and its subcontractors shall implement and maintain a written drug-free workplace policy in compliance with the West Virginia Alcohol and Drug-Free Workplace Act, as set forth in Article 1D, Chapter 21 of the West Virginia Code. The contractor and its subcontractors shall provide a sworn statement in writing, under the penalties of perjury, that they maintain a valid drug-free workplace policy in compliance with the West Virginia Alcohol and Drug-Free Workplace Act. It is understood and agreed that this Contract shall be cancelled by the awarding authority if the Contractor: 1) Fails to implement its drug-free workplace policy; 2) Fails to provide information regarding implementation of the contractor's drug-free workplace policy at the request of the public authority; or 3) Provides to the public authority false information regarding the contractor's drug-free workplace policy."

---

**INSTRUCTIONS TO BIDDERS**

1. Use the quotation forms provided by the Purchasing Division.
2. **SPECIFICATIONS:** Items offered must be in compliance with the specifications. Any deviation from the specifications must be clearly indicated by the bidder. Alternates offered by the bidder as **EQUAL** to the specifications must be clearly defined. A bidder offering an alternate should attach complete specifications and literature to the bid. The Purchasing Division may waive minor deviations to specifications.
3. Complete all sections of the quotation form.
4. Unit prices shall prevail in cases of discrepancy.
5. All quotations are considered F.O.B. destination unless alternate shipping terms are clearly identified in the quotation.
6. **BID SUBMISSION:** All quotations must be delivered by the bidder to the office listed below prior to the date and time of the bid opening. Failure of the bidder to deliver the quotations on time will result in bid disqualifications:  
Department of Administration, Purchasing Division, 2019 Washington Street East, P.O. Box 50130,  
Charleston, WV 25305-0130



State of West Virginia  
 Department of Administration  
 Purchasing Division  
 2019 Washington Street East  
 Post Office Box 50130  
 Charleston, WV 25305-0130

### Request for Quotation

RFQ NUMBER  
**DNR209018**

PAGE  
**2**

ADDRESS CORRESPONDENCE TO ATTENTION OF  
**FRANK WHITTAKER  
 304-558-2316**

PROPERTY

RFQ COPY  
 TYPE NAME/ADDRESS HERE  
 Ashworth Inc dba United Cycle  
 3747 Robert C. Byrd Dr  
 Berkeley, WV 25801

SHIP TO

DIVISION OF TOURISM & PARKS  
 KUMBRABOW STATE FOREST  
 ATTN: PARK SUPERINTENDENT  
 BOX 65  
 HUTTONSVILLE, WV  
 26273 335-2219

DATE PRINTED	TERMS OF SALE	SHIP VIA	F.O.B.	FREIGHT TERMS
08/25/2008				

BID OPENING DATE: **09/18/2008** BID OPENING TIME **01:30PM**

LINE	QUANTITY	UOP	CAT NO	ITEM NUMBER	UNIT PRICE	AMOUNT
<p>HAS RESIDED CONTINUOUSLY IN WEST VIRGINIA FOR FOUR (4) YEARS IMMEDIATELY PRECEDING THE DATE OF THIS CERTIFICATION; OR</p> <p><input checked="" type="checkbox"/> BIDDER IS A PARTNERSHIP, ASSOCIATION OR CORPORATION RESIDENT VENDOR AND HAS MAINTAINED ITS HEAD-QUARTERS OR PRINCIPAL PLACE OF BUSINESS CONTINUOUSLY IN WEST VIRGINIA FOR FOUR (4) YEARS IMMEDIATELY PRECEDING THE DATE OF THIS CERTIFICATION; OR 80% OF THE OWNERSHIP INTEREST OF BIDDER IS HELD BY ANOTHER INDIVIDUAL, PARTNERSHIP, ASSOCIATION OR CORPORATION RESIDENT VENDOR WHO HAS MAINTAINED ITS HEADQUARTERS OR PRINCIPAL PLACE OF BUSINESS CONTINUOUSLY IN WEST VIRGINIA FOR FOUR (4) YEARS IMMEDIATELY PRECEDING THE DATE OF THIS CERTIFICATION; OR</p> <p><input type="checkbox"/> BIDDER IS A CORPORATION NONRESIDENT VENDOR WHICH HAS AN AFFILIATE OR SUBSIDIARY WHICH EMPLOYS A MINIMUM OF ONE HUNDRED STATE RESIDENTS AND WHICH HAS MAINTAINED ITS HEADQUARTERS OR PRINCIPAL PLACE OF BUSINESS WITHIN WEST VIRGINIA CONTINUOUSLY FOR THE FOUR (4) YEARS IMMEDIATELY PRECEDING THE DATE OF THIS CERTIFICATION.</p> <p>B. APPLICATION IS MADE FOR 2.5% PREFERENCE FOR THE REASON CHECKED:</p> <p><input checked="" type="checkbox"/> BIDDER IS A RESIDENT VENDOR WHO CERTIFIES THAT, DURING THE LIFE OF THE CONTRACT, ON AVERAGE AT LEAST 75% OF THE EMPLOYEES WORKING ON THE PROJECT BEING BID ARE RESIDENTS OF WEST VIRGINIA WHO HAVE RESIDED IN THE STATE CONTINUOUSLY FOR THE TWO YEARS IMMEDIATELY PRECEDING SUBMISSION OF THIS BID;</p> <p>OR</p> <p><input type="checkbox"/> BIDDER IS A NONRESIDENT VENDOR EMPLOYING A MINIMUM OF ONE HUNDRED STATE RESIDENTS OR IS A</p>						

SEE REVERSE SIDE FOR TERMS AND CONDITIONS

SIGNATURE <i>AW</i>	TELEPHONE 304-252-9775	DATE 9-17-08
TITLE Pres	FEIN 55-056-2759	ADDRESS CHANGES TO BE NOTED ABOVE

WHEN RESPONDING TO RFQ, INSERT NAME AND ADDRESS IN SPACE ABOVE LABELED 'VENDOR'



State of West Virginia  
 Department of Administration  
 Purchasing Division  
 2019 Washington Street East  
 Post Office Box 50130  
 Charleston, WV 25305-0130

# Request for Quotation

RFQ NUMBER  
**DNR209018**

PAGE  
**3**

ADDRESS CORRESPONDENCE TO ATTENTION OF:  
**FRANK WHITTAKER**  
**304-558-2316**

RFQ COPY  
 TYPE NAME/ADDRESS HERE

RFQ COPY

SHIP TO

**DIVISION OF TOURISM & PARKS**  
**KUMBRABOW STATE FOREST**  
**ATTN: PARK SUPERINTENDENT**  
**BOX 65**  
**HUTTONSVILLE, WV**  
**26273 335-2219**

DATE PRINTED	TERMS OF SALE	SHIP VIA	FOB	FREIGHT TERMS
<b>08/25/2008</b>				

BID OPENING DATE: **09/18/2008** BID OPENING TIME **01:30PM**

LINE	QUANTITY	UOP	CAT NO	ITEM NUMBER	UNIT PRICE	AMOUNT
<p>NONRESIDENT VENDOR WITH AN AFFILIATE OR SUBSIDIARY WHICH MAINTAINS ITS HEADQUARTERS OR PRINCIPAL PLACE OF BUSINESS WITHIN WEST VIRGINIA EMPLOYING A MINIMUM OF ONE HUNDRED STATE RESIDENTS WHO CERTIFIES THAT, DURING THE LIFE OF THE CONTRACT, ON AVERAGE AT LEAST 75% OF THE EMPLOYEES OR BIDDERS' AFFILIATE'S OR SUBSIDIARY'S EMPLOYEES ARE RESIDENTS OF WEST VIRGINIA WHO HAVE RESIDED IN THE STATE CONTINUOUSLY FOR THE TWO YEARS IMMEDIATELY PRECEDING SUBMISSION OF THIS BID.</p> <p>BIDDER UNDERSTANDS IF THE SECRETARY OF TAX &amp; REVENUE DETERMINES THAT A BIDDER RECEIVING PREFERENCE HAS FAILED TO CONTINUE TO MEET THE REQUIREMENTS FOR SUCH PREFERENCE, THE SECRETARY MAY ORDER THE DIRECTOR OF PURCHASING TO: (A) RESCIND THE CONTRACT OR PURCHASE ORDER ISSUED; OR (B) ASSESS A PENALTY AGAINST SUCH BIDDER IN AN AMOUNT NOT TO EXCEED 5% OF THE BID AMOUNT AND THAT SUCH PENALTY WILL BE PAID TO THE CONTRACTING AGENCY OR DEDUCTED FROM ANY UNPAID BALANCE ON THE CONTRACT OR PURCHASE ORDER.</p> <p>BY SUBMISSION OF THIS CERTIFICATE, BIDDER AGREES TO DISCLOSE ANY REASONABLY REQUESTED INFORMATION TO THE PURCHASING DIVISION AND AUTHORIZES THE DEPARTMENT OF TAX AND REVENUE TO DISCLOSE TO THE DIRECTOR OF PURCHASING APPROPRIATE INFORMATION VERIFYING THAT BIDDER HAS PAID THE REQUIRED BUSINESS TAXES, PROVIDED THAT SUCH INFORMATION DOES NOT CONTAIN THE AMOUNTS OF TAXES PAID NOR ANY OTHER INFORMATION DEEMED BY THE TAX COMMISSIONER TO BE CONFIDENTIAL.</p> <p>UNDER PENALTY OF LAW FOR FALSE SWEARING (WEST VIRGINIA CODE 61-5-3), BIDDER HEREBY CERTIFIES THAT THIS CERTIFICATE IS TRUE AND ACCURATE IN ALL RESPECTS; AND THAT IF A CONTRACT IS ISSUED TO BIDDER AND IF ANYTHING CONTAINED WITHIN THIS CERTIFICATE CHANGES DURING THE</p>						

SEE REVERSE SIDE FOR TERMS AND CONDITIONS

SIGNATURE <i>A. Pyke</i>	TELEPHONE 304-252-9773	DATE 9-17-08
TITLE President	FEIN 55-056-2759	ADDRESS CHANGES TO BE NOTED ABOVE

WHEN RESPONDING TO RFQ, INSERT NAME AND ADDRESS IN SPACE ABOVE LABELED 'VENDOR'



State of West Virginia  
 Department of Administration  
 Purchasing Division  
 2019 Washington Street East  
 Post Office Box 50130  
 Charleston, WV 25305-0130

# Request for Quotation

RFQ NUMBER:  
**DNR209018**

PAGE:  
**4**

ADDRESS CORRESPONDENCE TO ATTENTION OF:  
**FRANK WHITTAKER  
 304-558-2316**

RFQ COPY  
 TYPE NAME/ADDRESS HERE

VENDOR

SHIP TO

DIVISION OF TOURISM & PARKS  
 KUMBRABOW STATE FOREST  
 ATTN: PARK SUPERINTENDENT  
 BOX 65  
 HUTTONSVILLE, WV  
 26273 335-2219

DATE PRINTED	TERMS OF SALE	SHIP VIA	FOB	FREIGHT TERMS
08/25/2008				

BID OPENING DATE: **09/18/2008** BID OPENING TIME **01:30PM**

LINE	QUANTITY	UOP	CAT. NO.	ITEM NUMBER	UNIT PRICE	AMOUNT
<p>TERM OF THE CONTRACT, BIDDER WILL NOTIFY THE PURCHASING DIVISION IN WRITING IMMEDIATELY.</p> <p>BIDDER: <i>Ashworth Inc. dba United Cycle</i></p> <p>DATE: <i>9/13/2008</i></p> <p>SIGNED: <i>ADJW</i></p> <p>TITLE: <i>Pres</i></p> <p>* CHECK ANY COMBINATION OF PREFERENCE CONSIDERATION(S) IN EITHER "A" OR "B", OR BOTH "A" AND "B" WHICH YOU ARE ENTITLED TO RECEIVE. YOU MAY REQUEST UP TO THE MAXIMUM 5% PREFERENCE FOR BOTH "A" AND "B". (REV. 12/00)</p> <p>NOTICE</p> <p>A SIGNED BID MUST BE SUBMITTED TO:</p> <p>DEPARTMENT OF ADMINISTRATION          PURCHASING DIVISION          BUILDING 15          2019 WASHINGTON STREET, EAST          CHARLESTON, WV 25305-0130</p> <p>THE BID SHOULD CONTAIN THIS INFORMATION ON THE FACE OF THE ENVELOPE OR THE BID MAY NOT BE CONSIDERED:</p>						

SEE REVERSE SIDE FOR TERMS AND CONDITIONS

SIGNATURE <i>ADJW</i>	TELEPHONE <i>304-252-9775</i>	DATE <i>9-17-08</i>
TITLE <i>Pres</i>	FAX <i>55-056-2759-001</i>	ADDRESS CHANGES TO BE NOTED ABOVE

WHEN RESPONDING TO RFQ, INSERT NAME AND ADDRESS IN SPACE ABOVE LABELED 'VENDOR'



State of West Virginia  
 Department of Administration  
 Purchasing Division  
 2019 Washington Street East  
 Post Office Box 50130  
 Charleston, WV 25305-0130

# Request for Quotation

RFQ NUMBER  
**DNR209018**

PAGE  
**5**

ADDRESS CORRESPONDENCE TO ATTENTION OF:  
**FRANK WHITTAKER  
 304-558-2316**

PROPERTY

RFQ COPY  
 TYPE NAME/ADDRESS HERE  
*Ashworths Inc dba United Gate  
 3797 Robert C. Byrd Dr  
 Beckley, WV 25801*

SHIP TO

DIVISION OF TOURISM & PARKS  
 KUMBRABOW STATE FOREST  
 ATTN: PARK SUPERINTENDENT  
 BOX 65  
 HUTTONSVILLE, WV  
 26273 335-2219

DATE PRINTED	TERMS OF SALE	SHIP VIA	FOB	FREIGHT TERMS
08/25/2008				

BID OPENING DATE: **09/18/2008** BID OPENING TIME **01:30PM**

LINE	QUANTITY	UOP	CAT NO	ITEM NUMBER	UNIT PRICE	AMOUNT
	SEALED BID					
	BUYER: 44					
	RFQ. NO.: DNR209018					
	BID OPENING DATE: 09/18/08					
	BID OPENING TIME: 1:30 PM					
	PLEASE PROVIDE A FAX NUMBER IN CASE IT IS NECESSARY TO CONTACT YOU REGARDING YOUR BID:					
	----- 304-252-9775 -----					
	CONTACT PERSON (PLEASE PRINT CLEARLY):					
	----- John Link -----					
	***** THIS IS THE END OF RFQ DNR209018 ***** TOTAL: _____					

SEE REVERSE SIDE FOR TERMS AND CONDITIONS

SIGNATURE <i>[Signature]</i>	TELEPHONE 304-252-9775	DATE 9-17-08
TITLE Pres	FEIN 55-056-2759	ADDRESS CHANGES TO BE NOTED ABOVE

WHEN RESPONDING TO RFQ, INSERT NAME AND ADDRESS IN SPACE ABOVE LABELED 'VENDOR'

**Agricultural Tractor Specifications for Kumbrabow State Forest**      **7/31/08**

---

Agricultural Tractor- Kubota Model M6040 with canopy or equal

Engine Horsepower- 60 HP minimum  
Liquid Cooled Diesel Engine with 110 volt block heater

Hydraulic Independent PTO, minimum PTO horsepower 55, minimum PTO rpm 540  
Minimum hydraulic pump flow 11 gpm, Category II-3 point hitch with telescopic lower link ends, minimum lift capacity 3307 lbs

4 Wheel Drive-easy shift or equal  
Synchronized Shuttle Transmission

Agricultural Tires front and back- Loaded

Mechanical wet disc brakes

Heavy Duty Loader, Robust F-8 by Stoll or equal with minimum 73" heavy duty material bucket  
Mechanical self-leveling bucket, with minimum lift capacity of 4495 from 0' to 5'  
Must have Easylock or quick Connect/disconnect capability

BH90-X Groundbreaker-X Backhoe by Woods or equal  
9ft. Backhoe with adjustable mechanical thumb-24" material bucket with teeth  
with stabilizer feet and curved boom  
cylinder swing  
frame mount with quick attach/detach on implement and hydraulic lines  
digging force minimum 4,180 lbs.

*Frame Mount NOT Necessary*

*3 Point Mount (Factory Recommendation)*

Warranty  
Tractor Minimum Warranty- Bumper to Bumper-minimum 2 years parts and labor  
Loader and Boom Minimum Warranty-1 year  
Backhoe Minimum Warranty-1 year

Deliver to Kumbrabow State Forest  
Onsite training to be provided when delivery is made.

**Optional Purchase**

7ft sickle bar implement, 3 point PTO attachment only  
Sickle Bar Minimum Warranty-1 year

*New HOLLAND 451 \$ 8235.00*

STATE OF WEST VIRGINIA  
Purchasing Division

**PURCHASING AFFIDAVIT**

**VENDOR OWING A DEBT TO THE STATE:**

*West Virginia Code* §5A-3-10a provides that: No contract or renewal of any contract may be awarded by the state or any of its political subdivisions to any vendor or prospective vendor when the vendor or prospective vendor or a related party to the vendor or prospective vendor is a debtor and the debt owed is an amount greater than one thousand dollars in the aggregate.

**PUBLIC IMPROVEMENT CONTRACTS & DRUG-FREE WORKPLACE ACT:**

*West Virginia Code* §21-1D-5 provides that: Any solicitation for a public improvement construction contract shall require each vendor that submits a bid for the work to submit at the same time an affidavit that the vendor has a written plan for a drug-free workplace policy in compliance with Article 1D, Chapter 21 of the West Virginia Code. A public improvement construction contract may not be awarded to a vendor who does not have a written plan for a drug-free workplace policy in compliance with Article 1D, Chapter 21 of the West Virginia Code and who has not submitted that plan to the appropriate contracting authority in timely fashion. For a vendor who is a subcontractor, compliance with Section 5, Article 1D, Chapter 21 of the West Virginia Code may take place before their work on the public improvement is begun.

**ANTITRUST:**

In submitting a bid to any agency for the state of West Virginia, the bidder offers and agrees that if the bid is accepted the bidder will convey, sell, assign or transfer to the state of West Virginia all rights, title and interest in and to all causes of action it may now or hereafter acquire under the antitrust laws of the United States and the state of West Virginia for price fixing and/or unreasonable restraints of trade relating to the particular commodities or services purchased or acquired by the state of West Virginia. Such assignment shall be made and become effective at the time the purchasing agency tenders the initial payment to the bidder.

I certify that this bid is made without prior understanding, agreement, or connection with any corporation, firm, limited liability company, partnership or person or entity submitting a bid for the same materials, supplies, equipment or services and is in all respects fair and without collusion or fraud. I further certify that I am authorized to sign the certification on behalf of the bidder or this bid.

**LICENSING:**

Vendors must be licensed and in good standing in accordance with any and all state and local laws and requirements by any state or local agency of West Virginia, including, but not limited to, the West Virginia Secretary of State's Office, the West Virginia Tax Department, West Virginia Insurance Commission, or any other state agencies or political subdivision. Furthermore, the vendor must provide all necessary releases to obtain information to enable the Director or spending unit to verify that the vendor is licensed and in good standing with the above entities.

**CONFIDENTIALITY:**

The vendor agrees that he or she will not disclose to anyone, directly or indirectly, any such personally identifiable information or other confidential information gained from the agency, unless the individual who is the subject of the information consents to the disclosure in writing or the disclosure is made pursuant to the agency's policies, procedures and rules. Vendors should visit [www.state.wv.us/admin/purchase/privacy](http://www.state.wv.us/admin/purchase/privacy) for the Notice of Agency Confidentiality Policies.

Under penalty of law for false swearing (West Virginia Code §61-5-3), it is hereby certified that the vendor acknowledges the information in this said affidavit and is in compliance with the requirements as stated.

Vendor's Name: Ashworths Inc dba: United Gate

Authorized Signature: [Signature] Date: 9-17-08



# New Holland Sicklebar Mowers

451 456



NEW HOLLAND



*Offset wheels on the Model 456 maintain precise tracking to leave a smooth, clean swath*

## Smooth cutting and fast, easy hookup

A New Holland sicklebar mower takes the effort out of your cutting chores. It cuts a smooth, fast swath through open fields and makes quick work out of mowing around ponds, buildings and lanes.

The mounted 451 is available with a seven- or nine-foot cutterbar with bolt-on knife sections. The trail-type 456 is only available with a nine-foot cutterbar with bolt-on knife sections. And, both are easy to hook up to your tractor. The mounted Model 451 has an exclusive telescoping yoke that uses tractor power to lift the

mower. No more struggling or straining when it's time to hook up.

Pitmanless drive and tapered roller bearings give you fast, smooth cutting with less wear on the knife assembly and hold-down clips. There's less noise and vibration and no need for register adjustment. A spring-loaded latch ensures fast breakaway should the cutterbar hit an obstruction. The mower relatches when you back up.

Depend on New Holland sicklebar mowers. They provide you with convenience and dependable performance.

\$ 82,350.00



Specifications	seven-foot	nine-foot
Cutterbar length	7'3" (2210 mm)	9'3" (2819 mm)
Overall length	3'11" (1188 mm)	3'11" (1188 mm)
Overall width		
operating	12'5" (3785 mm)	14'5" (4395 mm)
transport	6'2" (1870 mm)	7'2" (2175 mm)
Height		
operating	3'3" (991 mm)	3'3" (991 mm)
transport *	5'8" (1715 mm)	6'8" (2032 mm)
Weight, approximate	609 lb (276 kg)	628 lb (285 kg)
Mower drive	Heavy-duty V-belt	Heavy-duty V-belt
Knives		
speed	1600 strokes per minute at 540 rpm	
stroke	3.375" (86 mm)	
Cutterbar		
operating range	15 degrees below horizontal, 35 degrees above horizontal	
Tractor requirement	Fits most CAT I and II 3-point hitch tractors with 540 rpm PTO	

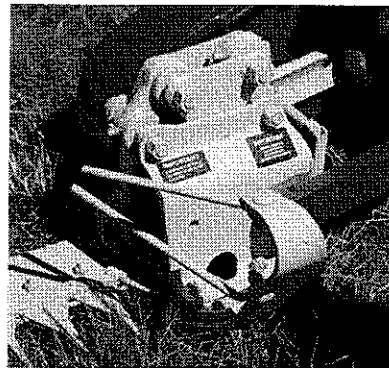
Specifications	Model 456
Cutterbar length	9'3" (2819 mm)
Overall length	7'6" (2286 mm)
Overall width	
operating	15'3" (4648 mm)
transport	7'2" (2175 mm)
Height	
operating	3'3" (991 mm)
transport *	6'8" (2032 mm)
Weight, approximate	803 lb (364 kg)
Mower drive	Heavy-duty V-belt
Knives	
speed	1600 strokes per minute at 540 rpm
stroke	3.375" (86 mm)
Cutterbar	
operating range	15 degrees below horizontal, 35 degrees above horizontal
Tractor requirement	Fits most tractors with standard ASAE drawbar and 540 rpm PTO

\* plus lift range of tractor

LIFTS: Both lifts operable from the tractor seat. Tractor remote ram required for hydraulic lift on Model 456. Tractor power lift is standard on Model 451



The mounted 451 has an exclusive telescoping yoke that uses tractor power to lift the mower



Straight-line motion of the drive head provides fast, smooth cutting combined with less wear on the knife assembly and hold-down clips

## YOUR NEW HOLLAND DEALER

Visit our Web site at [www.newholland.com/na](http://www.newholland.com/na) Or, call toll-free: 1-888-290-7377

**CNH** NEW HOLLAND IS A BRAND OF CNH.  
A GLOBAL LEADER IN AGRICULTURAL AND CONSTRUCTION EQUIPMENT AND FINANCIAL SERVICES

Design, materials and/or specifications are subject to change without notice and without liability therefor. Specifications are applicable to units sold in Canada, the United States, its territories and possessions, and may vary outside these areas.



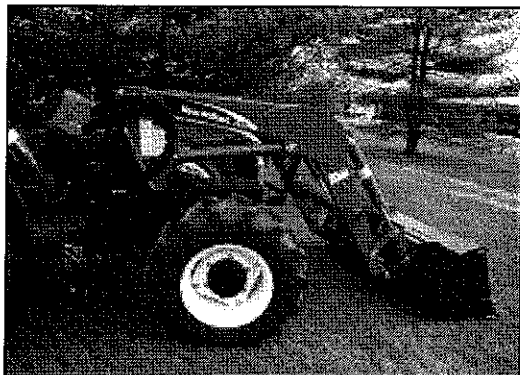
Safety begins with a thorough understanding of the equipment. Always make sure you and your operators read the Operator's Manual before using the equipment. Pay close attention to all safety and operating decals and never operate machinery without all shields, protective devices and structures in place.



TN 75A4 4WD

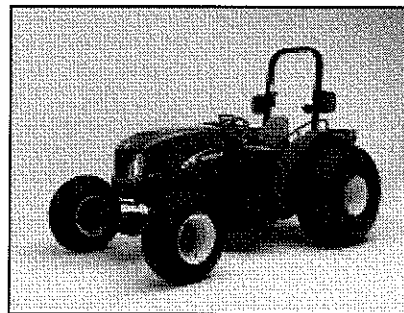
## TN-A Series Tractor General Bid Specification

The following data is subject to options and product variations. Dimensions and weights are approximate.



Available with a 16.9 GPM hydraulic pump. Loader cycle times are shortened and productivity increased. A left hand shuttle lever on all models frees the operator's right hand.

The right tire options for golf courses, stadiums, or any turf maintenance application. R1 agricultural tires, and R4 industrial tires are also available.



Boasting the highest 3-pt. lift capacity in its class, the hitch also features flexible link ends, telescoping stabilizers, and a lift arm leveling system for quick and easy hook-up to mounted equipment.



### Check out These Industry Leading Features

- TN-A tractors have more torque rise than any competitor to pull through all the tough spots.
- 23-gallon fuel tank capacity for a full days work. The Teir-II engine is designed to run on B5 bio-diesel or standard diesel fuel.
- Lower link draft sensing - a big tractor feature in a compact size. It provides sensitivity and precision advantages over a top-link sensing system.
- 3,960 lb. of 3-pt. hitch lift capacity is tops in its class
- All TN-A tractors are equipped with a left hand shuttle shift. It can be a synchronized mechanical shuttle, or a hydraulic power shuttle.
- Unmatched lighting package on the TN-A. All models have 2 headlights, 2 front corner work lights, and 1 rear work light, meets ASAE S279.12
- Parking brake is hand operated and completely independent of service brakes.
- A full coverage, non-skid floormat is base equipment on TN-A Standards

### TN-A tractors have plenty of hydraulic remote valve options:

- Two mid-mount valves controlled by a joystick for loader operation
- A choice of zero to three rear mounted, lever controlled remote valves.
- Available front ballast packages

- 40kph (25 mph) capable, depending on tire combination (4WD only)

### Comfortable Operator Platform features including:

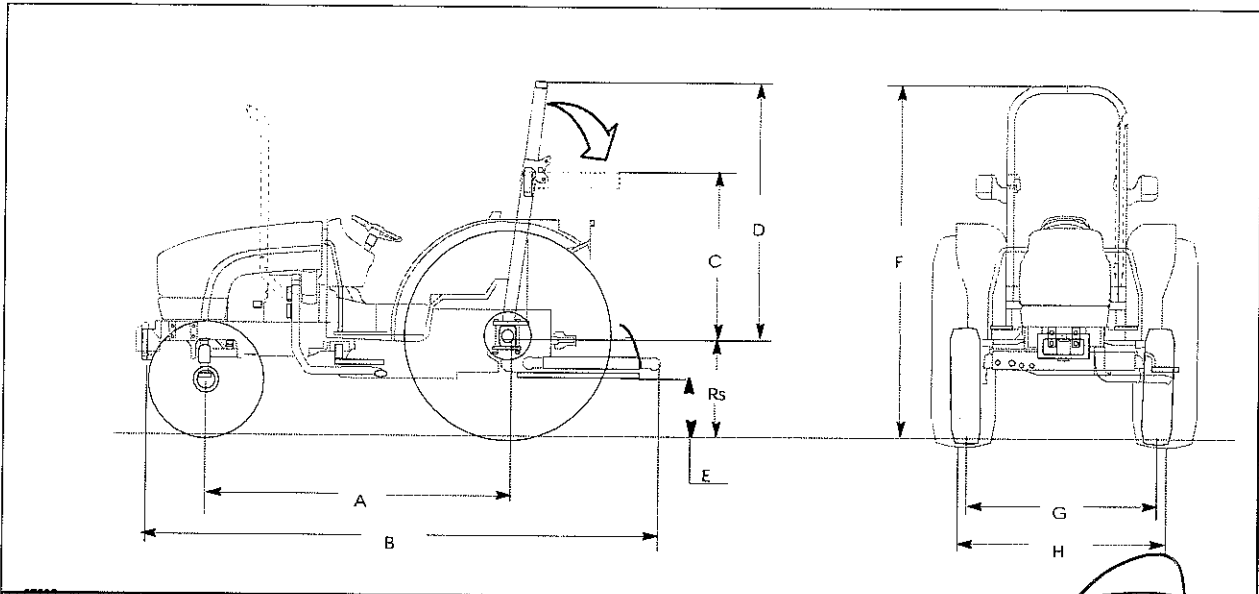
- Straddle mount design for low operating heights and a low center of gravity.
- 7, 4, and 1pin electrical outlets.
- A comfortable seat with a deluxe, high back, fore and aft adjustment, weight adjustment, and height adjustment
- Analog gages and/or warning lights for the tachometer, coolant temperature, fuel level, hour meter, alternator, engine oil pressure, air filter restriction, low brake fluid, transmission status indicator, PTO engaged, parking brake on

### Many factory installed or dealer installed options including:

- Engine block heater
- Horn kit
- Seat arm rests
- Fixed or Foldable ROPS structure, meeting SAE J2194
- Blue or White fiberglass canopy
- Steel FOPS canopy (recommended for loader operation)
- Offset drawbar (for Galaxy tires)
- Cat I lift arm balls, Clevis hitch
- Standard telescopic stabilizers and flexible link ends for a 3-pt. hitch for TN-A Standard tractors
- Standard fixed 3-pt. link ends on TN-A Economy tractors
- Hydraulic filter protection kit
- Horizontal exhaust kit
- Grill guard
- Low profile 2WD axle
- Aspirated air cleaner kit (vertical exhaust only)

Revised: December 2003

Replaces document dated: October, 2003 - PRELIMINARY

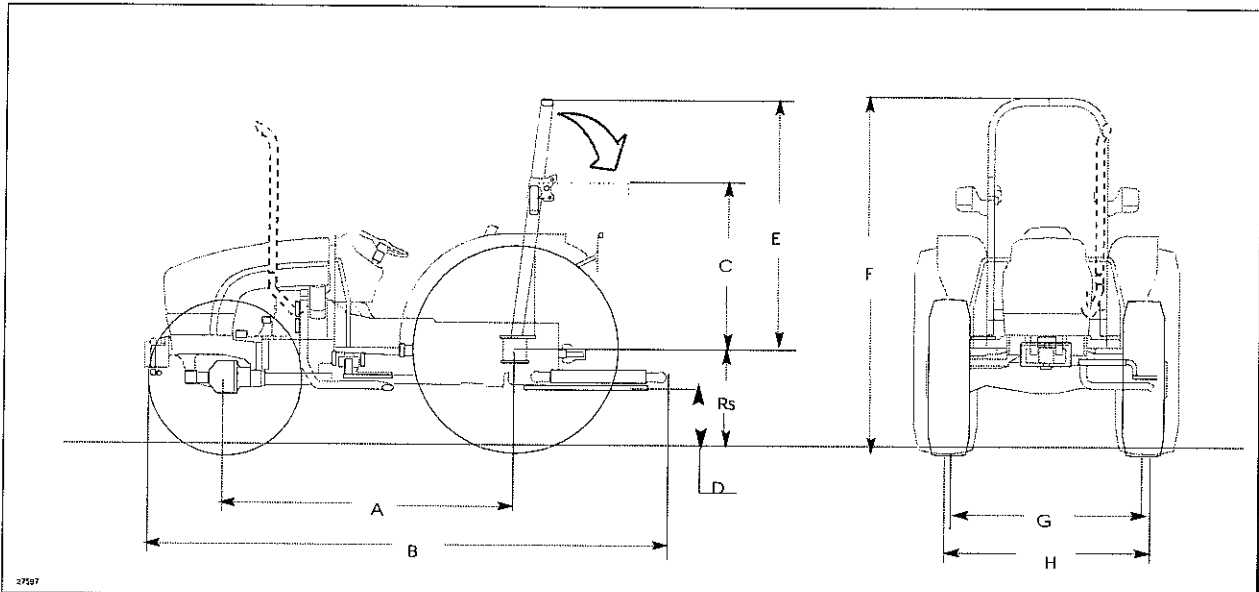


### TN-A General Overall Dimensions

	2WD (in./mm)	TN60A	TN70A	TN75A	
<b>A</b>	Wheel base	81.5 / 2070	81.5 / 2070	81.5 / 2070	
<b>B</b>	Overall length, no weights	153.3 / 3894	153.3 / 3894	153.3 / 3894	
<b>C</b>	Rear axle to top of ROPS (down)	50.1 / 1273	50.1 / 1273	50.1 / 1273	
<b>D</b>	Rear axle to top of ROPS (up)	70.1 / 1781	70.1 / 1781	70.1 / 1781	
PKG	Tires		Min. Track Setting Max. Track Setting (in. / mm)		Overall Height (F)
	Front Rear	Static Radius (R <sub>s</sub> )	Front (G)	Rear (H)	(in. / mm)
<b>01</b>	9.5Lx15, 6PR (F2) 14.9 x 28, 6PR (R1)	14.6 / 371 25.0 / 635	56.3 / 1431 82.8 / 2102	52.3 / 1328 75.8 / 1925	95.1 / 2416
<b>02</b>	9.5Lx15, 6PR (F2) 16.9 x 24, 6PR (R1)	14.6 / 371 24.3 / 617	56.3 / 1431 82.8 / 2102	56.1 / 1424 71.7 / 1822	94.4 / 2398
<b>03</b>	9.5Lx15, 6PR (F2) 16.9 x 28, 6PR (R1)	14.6 / 371 25.7 / 653	56.3 / 1431 82.8 / 2102	55.7 / 1414 75.8 / 1925	95.8 / 2434
<b>04</b>	9.5Lx15, 6PR (F2) 16.9 x 30, 6PR (R1)	14.6 / 371 27.7 / 704	56.3 / 1431 82.8 / 2102	55.9 / 1420 75.6 / 1920	97.8 / 2485
<b>05</b>	11L x 15, 6PR (I1) 16.9 x 24, 6PR (R3)	14.3 / 363 24.0 / 610	56.3 / 1431 80.9 / 2056	56.1 / 1424 71.7 / 1822	94.1 / 2390
<b>06</b>	25/10.5 x 15, 6PR 22.5LL x 16.1, 6PR (Galaxy)	18.7 / 475	55.8 / 1418 81.0 / 2058	57.2 / 1452 66.5 / 1688	88.8 / 2256
<b>07</b>	11L x 15, 8PR (F3) 16.9 x 24, 8PR (R4)	14.3 / 363 23.0 / 584	56.3 / 1431 80.9 / 2054	51.9 / 1318 71.7 / 1822	93.1 / 2365
<b>08</b>	11L x 15, 8PR (F3) 16.9 x 28, 10PR (R4)	14.3 / 363 25.1 / 638	56.3 / 1431 80.9 / 2054	55.7 / 1414 75.8 / 1925	95.2 / 2418
<b>09</b>	11L x 15, 8PR (F3) 19.5L x 24, 10PR (R4)	14.3 / 363 24.5 / 623	56.3 / 1431 80.9 / 2054	56.1 / 1424 71.7 / 1822	94.6 / 2403

Revised: December 2003

Replaces document dated: October, 2003 - PRELIMINARY



27597

### TN-A General Overall Dimensions

	FWD (in./mm)	TN60A	TN70A	TN75A	
<b>A</b>	Wheel base	78.9 / 2005	78.9 / 2005	78.9 / 2005	
<b>B</b>	Overall length, no weights	151.6 / 3852	151.6 / 3852	151.6 / 3852	
<b>C</b>	Rear axle to top of ROPS (down)	50.1 / 1273	50.1 / 1273	50.1 / 1273	
<b>E</b>	Rear axle to top of ROPS (up)	70.1 / 1781	70.1 / 1781	70.1 / 1781	
PKG	Tires		Min. Track Setting Max. Track Setting (in. / mm)		Overall Height (F)
	Front Rear	Static Radius (R <sub>s</sub> )	Front (G)	Rear (H)	(in. / mm)
<b>01</b>	11.2 x 20, (R1W) 14.9 x 28, (R1W)	18.7 / 475 25.0 / 635	54.2 / 1376 71.1 / 1806	52.3 / 1328 75.8 / 1925	95.1 / 2416
<b>02</b>	11.2 x 20, (R1W) 16.9 x 24, (R1W)	18.7 / 475 24.3 / 617	54.2 / 1376 71.1 / 1806	56.1 / 1424 71.7 / 1822	94.4 / 2398
<b>03</b>	12.4 x 20, (R1W) 16.9 x 28, (R1W)	19.6 / 498 25.7 / 653	54.2 / 1376 71.1 / 1806	55.7 / 1414 75.8 / 1925	95.8 / 2434
<b>04</b>	11.2 x 24, (R1W) 16.9 x 30, (R1W)	20.8 / 528 27.6 / 701	48.7 / 1236 76.6 / 1945	55.9 / 1420 75.6 / 1920	97.7 / 2482
<b>05</b>	13.6 x 16.1, 8PR (R3) 16.9 x 24, 6PR (R3)	18.3 / 465 24.0 / 610	60.8 / 1544 64.6 / 1640	56.1 / 1424 71.7 / 1822	94.1 / 2390
<b>06</b>	12LL x 16, 6PR 22.5LL x 16.1, 6PR (Galaxy)	18.7 / 475	61.6 / 1565 61.6 / 1565	57.2 / 1452 66.5 / 1688	88.8 / 2256
<b>07</b>	10.5 x 20, 10PR (R4) 16.9 x 24, 8PR (R4)	18.0 / 457 23.0 / 584	52.1 / 1324 73.1 / 1858	51.9 / 1318 71.7 / 1822	93.1 / 2365
<b>08</b>	12.4 x 20, 10PR (R4) 16.9 x 28, 10PR (R4)	25.1 / 638	50.1 / 1272 75.2 / 1910	55.7 / 1414 75.8 / 1925	95.2 / 2418
<b>09</b>	10.5 x 20, 10PR (R4) 19.5L x 24, 10PR (R4)	18.0 / 457 24.5 / 584	52.1 / 1324 73.1 / 1858	56.1 / 1424 71.7 / 1822	94.6 / 2403

Revised: December 2003

Replaces document dated: October, 2003 - PRELIMINARY

	<i>TN60A</i>	<i>TN70A</i>	<i>TN75A</i>
<b>Engine</b>	New Holland engines, manufactured by Iveco		
type	4-cycle, diesel, naturally aspirated	4-cycle, diesel, turbo-charged	4-cycle, diesel, turbo-charged
number of cylinders	3	3	3
displacement	179 cu in.	179 cu in.	179 cu in.
engine horsepower	57	70	75
PTO horsepower	45	57	62
fuel tank capacity	23 gallons	23 gallons	23 gallons
throttle	hand and/or foot operated	hand and/or foot operated	hand and/or foot operated
air cleaner	dual element, dry type with cleanable outer element and replaceable inner safety element		
lubrication	full flow, pressure lubrication with spin on filter cartridge. 300 hour oil change interval		
<b>Transmission</b>			
base on Standard tractor	12x12 with 4 synchronized speeds and 3 non-synchronized ranges, synchronized mechanical shuttle		
base on Economy tractor	8x8 with 4 non-synchronized speeds and 2 non-synchronized ranges, synchronized mechanical shuttle		
option	16x16 with 4 synchronized speeds and 4 non-synchronized ranges, synchronized mechanical shuttle		
option	16x16 with 4 synchronized speeds and 4 non-synchronized ranges, electro-hydraulic, clutchless power shuttle		
traction clutch	heavy duty, 11 in diameter organic clutch w/ mechanical shuttle	heavy duty, 11 in diameter cerametalic clutch w/ mechanical shuttle	heavy duty, 11 in diameter cerametalic clutch w/ mechanical shuttle
	heavy duty, multi-plate, wet clutch pack w/ power shuttle		
ground speed	1.1 to 18.7 mph w/ base trans & 16.9x30	1.1 to 18.7 mph w/ base trans & 16.9x3	1.1 to 18.7 mph w/ base trans & 16.9x3
final drive / rear axle	inboard planetary, maximum axle capacity of 7,716 lb.		
differential lock (front / rear)	limited slip / mech. engaged	limited slip / mech. engaged	limited slip / mech. engaged
service brake	individual, hydraulic, wet disc	individual, hydraulic, wet disc	individual, hydraulic, wet disc
parking brake	hand lever engagement, independent of service brakes, mechanical wet disc, externally serviceable		
<b>Front Axle</b>			
2WD	heavy duty, adjustable, maximum axle capacity of 6,600 lb.		
minimum track setting	55.8 in.	55.8 in.	55.8 in.
maximum turn angle	55 degrees	55 degrees	55 degrees
maximum axle oscillation	12 degrees	12 degrees	12 degrees
4WD	center differential with planetary final drives in wheel hubs, maximum axle capacity of 7,716 lb.		
minimum track setting	48.7 in.	48.7 in.	48.7 in.
maximum turn angle	55 degrees	55 degrees	55 degrees
maximum axle oscillation	12 degrees	12 degrees	12 degrees
<b>Steering</b>	power steering, dedicated gear pump, 7.2 gpm w/ mech. shuttle, 9.2 gpm w/ power shuttle		
<b>Hydraulic System</b>	open center	open center	open center
system pressure	2,755 psi	2,755 psi	2,755 psi
pump capacity - standard	12.4 gpm	12.4 gpm	16.9 gpm
pump capacity - optional	16.9 gpm	16.9 gpm	N/A
remote valves - standard	1 open center, rear mounted, lever controlled, with quick couplers		
remote valves - optional	0 to 3 open center, rear mounted, lever controlled with quick couplers		
	two open center, mid-mounted, joystick controlled for loader operation		
<b>3-Point Hitch</b>	category II, rear	category II, rear	category II, rear
	adjustable link ends & stabilizers	adjustable link ends & stabilizers	adjustable link ends & stabilizers
ASAE lift capacity @ 24 in.	3,960 lb.	3,960 lb.	3,960 lb.
draft control	lower link sensing with hydraulic position control - ability to blend draft and position control		
<b>Electrical</b>			
alternator	12 Volt, 65 Amp	12 Volt, 65 Amp	12 Volt, 65 Amp
cold cranking amps	730	730	730
lighting, meets ASAE S279.12	2 headlights, 2 front corner mounted work lights, 1 rear work light, brake lights, flashing safety lights, turn signals		
fuses	automotive blade type	automotive blade type	automotive blade type
<b>PTO</b>	independent	independent	independent
clutch	11 in. diameter cerametalic	11 in. diameter cerametalic	11 in. diameter cerametalic
<b>Wheel base</b>	81.5 in. 2WD / 78.9 in. 4WD	81.5 in. 2WD / 78.9 in. 4WD	81.5 in. 2WD / 78.9 in. 4WD
<b>Unballasted Weight</b>	5,180 lb. 2WD / 5400 lb. 4WD	5,290 lb. 2WD / 5,730 lb. 4WD	5,290 lb. 2WD / 5,730 lb. 4WD

Revised: December 2003

Replaces document dated: October, 2003 - PRELIMINARY