



State of West Virginia
 Department of Administration
 Purchasing Division
 2019 Washington Street East
 Post Office Box 50130
 Charleston, WV 25305-0130

Request for Quotation

RFQ NUMBER:
 DNR209130

PAGE:
 1

ADDRESS CORRESPONDENCE TO ATTENTION OF:
 FRANK WHITTAKER
 304-558-2316

VENDOR

RFQ COPY
 TYPE NAME/ADDRESS HERE

*Buller Fixture
 6828 L St
 Omaha NE 68117*

SHIP TO

DIVISION OF NATURAL RESOURCES
 CASS SCENIC RAILROAD ST PARK
 ATTN: PARK SUPERINTENDENT
 BOX 107
 CASS, WV
 24927 456-4300

DATE PRINTED	TERMS OF SALE	SHIP VIA	F.O.B.	FREIGHT TERMS
02/25/2009				
BID OPENING DATE: 03/12/2009		BID OPENING TIME: 01:30PM		

LINE	QUANTITY	UCP	CAT NO	ITEM NUMBER	UNIT PRICE	AMOUNT
0001	1	LS		740-70	28471.00	28471.00
REFRIGERATORS, COMMERCIAL						
<p>THE WEST VIRGINIA PURCHASING DIVISION, FOR THE AGENCY. THE WEST VIRGINIA DIVISION OF NATURAL RESOURCES, IS SOLICITING BIDS FOR TWO (2) COMMERCIAL WALK-IN COOLERS AND ONE (1) COMMERCIAL WALK-IN FREEZER FOR CASS SCENIC RAILROAD STATE PARK PER THE ATTACHED SPECIFICATIONS.</p> <p>BANKRUPTCY: IN THE EVENT THE VENDOR/CONTRACTOR FILES FOR BANKRUPTCY PROTECTION, THIS CONTRACT MAY BE DEEMED NULL AND VOID, AND TERMINATED WITHOUT FURTHER ORDER.</p> <p style="text-align: center;">NOTICE</p> <p>A SIGNED BID MUST BE SUBMITTED TO:</p> <p style="text-align: center;">DEPARTMENT OF ADMINISTRATION PURCHASING DIVISION BUILDING 15 2019 WASHINGTON STREET, EAST CHARLESTON, WV 25305-0130</p> <p>THE BID SHOULD CONTAIN THIS INFORMATION ON THE FACE OF THE ENVELOPE OR THE BID MAY NOT BE CONSIDERED:</p> <p>SEALED BID</p>						

RECEIVED

2009 MAR 11 A 9:47
 PURCHASING DIVISION
 STATE OF WV

SEE REVERSE SIDE FOR TERMS AND CONDITIONS

SIGNATURE: *Carolyn Newton* TELEPHONE: 800-444-2601-112 DATE: 3-10-09
 TITLE: Sales Manager FEIN: 470362270 ADDRESS CHANGES TO BE NOTED ABOVE

WHEN RESPONDING TO RFQ, INSERT NAME AND ADDRESS IN SPACE ABOVE LABELED 'VENDOR'



State of West Virginia
 Department of Administration
 Purchasing Division
 2019 Washington Street East
 Post Office Box 50130
 Charleston, WV 25305-0130

Request for Quotation

RFQ NUMBER
DNR209130

PAGE
2

ADDRESS CORRESPONDENCE TO ATTENTION OF:
FRANK WHITTAKER
304-558-2316

RFQ COPY
 TYPE NAME/ADDRESS HERE

Buller Fixture
6828 L St
Omaha NE 68117

S H I P T O
 DIVISION OF NATURAL RESOURCES
 CASS SCENIC RAILROAD ST PARK
 ATTN: PARK SUPERINTENDENT
 BOX 107
 CASS, WV
 24927 456-4300

DATE PRINTED	TERMS OF SALE	SHIP VIA	F.O.B.	FREIGHT TERMS
02/25/2009				

BID OPENING DATE: **03/12/2009** BID OPENING TIME: **01:30PM**

LINE	QUANTITY	UOP	CAT NO.	ITEM NUMBER	UNIT PRICE	AMOUNT
BUYER:			44			
RFQ. NO.:			DNR209130			
BID OPENING DATE:			03/12/2009			
BID OPENING TIME:			1:30 PM			
PLEASE PROVIDE A FAX NUMBER IN CASE IT IS NECESSARY TO CONTACT YOU REGARDING YOUR BID: <i>402-592-0763</i>						
CONTACT PERSON (PLEASE PRINT CLEARLY): <i>Eileen Newton</i>						
***** THIS IS THE END OF RFQ. DNR209130 ***** TOTAL:						<i>28,491.00</i>

SEE REVERSE SIDE FOR TERMS AND CONDITIONS

SIGNATURE: *Eileen Newton* TELEPHONE: **800-444-2601-112** DATE: **3-10-09**

TITLE: *Sales Mgr* FEIN: ADDRESS CHANGES TO BE NOTED ABOVE

WHEN RESPONDING TO RFQ, INSERT NAME AND ADDRESS IN SPACE ABOVE LABELED 'VENDOR'

PURCHASING CONTINUATION SHEET

VENDOR

Buller Fixture

BUYER:	PAGE	Req. or PO#
		DNR 209130

Spending Unit:
DNR -

Item No:	Quantity	Description	Unit Price	Amount
1	1	<p>Commercial walk-in cooler with floor. Minimum dimensions must be 6' 9" x 11' 7" x 8' 6" in height; 34" x 76" right hand hinge door left of center on a 11/7" side. Refrigeration system must have minimum of one (1) horsepower. Compressor unit must: use 404a refrigerant; plug into a 240 volt single phase pre-assembled remote with low ambient kit; have a minimum of 9730 BTU's per hour at 35 degrees; be hermetic with low and high pressure safety controls; defrost timer; dryer; sight glass and weather hood. Evaporator must be pre-assembled with thermostat and pump down solenoid valve and 15' pre-charged refrigeration lines with quick coupling. Refrigeration system must be charged by a certified refrigeration specialist. Brand or grade offered: <u>Dor-Lake</u></p> <p>To include warranty: five (5) years on compressor; one (1) year on all parts; and ten (10) years on insulated panels. Refrigeration system must be charged by a certified refrigeration specialist.</p> <p>Maintenance personnel at Cass Scenic Railroad State Park will receive and unload all panels and refrigeration equipment and inspect for damage. Also, maintenance personnel will assemble cooler.</p> <p>Vendor must provide ninety (90) days service and labor on unit and respond to service calls within twenty-four (24) hours. F.O.B. Destination. Freight or delivery charges must be included in the price of the goods. Delivery must be made within thirty (30) days of purchase order award</p> <p>Vendor must submit manufactures published literature and a copy of the specifications for the unit being proposed.</p>	<p>9222.00 <i>e.t.n.</i></p>	<p>9222.00</p>
2	1	<p>Commercial walk-in cooler with floor. Minimum dimensions must be 5' 10" x 7' 9" x 8' 6" in height; 34" x 76" door left hand hinge of center on a 5'10" side. Refrigeration system must be a minimum of 3/4 horse power. Compressor unit must: use 404a refrigerant; plug into a 240 volt single phase preassembled remote with low ambient kit; have a minimum of 7260 BTU's per hour at 35 degrees; be hermetic with low and high pressure safety controls, defrost timer, dryer, sight glass and weather hood. Evaporator must be pre-assembled with thermostat and pump down solenoid valve; 15' pre-charged refrigeration lines with quick coupling. Brand or grade offered: <u>Dor-Lake</u></p> <p>To include warranty: five (5) years on compressor; one (1) year on all parts; and ten (10) years on insulated panels. Refrigeration system must be charged by a certified refrigeration specialist.</p> <p>Maintenance personnel at Cass Scenic Railroad State Park will receive and unload all panels and refrigeration equipment and inspect for damage. Also, maintenance personnel will assemble cooler.</p> <p>Vendor must provide ninety (90) days service and labor on unit and respond to service calls within twenty-four (24) hours. F.O.B. Destination. Freight or delivery charges must be included in the price of the goods. Delivery must be made within thirty (30) days of purchase order award.</p> <p>Vendor must submit manufactures published literature and a copy of the specifications for the unit being proposed.</p>	<p>7791.00</p>	<p>7791.00</p>

STATE OF WEST VIRGINIA
PURCHASING CONTINUATION SHEET

VENDOR

Buller Fixture

BUYER:	PAGE	Req. or PO#
		DNR 209130
Spending Unit:		
DNR -		

Item No:	Quantity	Description	Unit Price	Amount
3	1	<p>Commercial walk-in freezer with floor. Minimum dimensions must be 6/9" x 11' x 8/6" in height; 34" x 76" door right hand hinge of center on a 11/7" side. Refrigeration system must be a minimum of three (3) horse power system. Compressor unit must use 404a refrigerant; plug into a 240 volt single phase pre-assembled remote with low ambient kit; have a minimum of 11,685 BTU's per hour at -10 degrees; be hermetic or semi-hermetic with low and high pressure safety controls, defrost timer, filter dryer, sight glass and weather hood. Evaporator must be pre-assembled with electric defrost heaters/thermostat, pump down solenoid valve and 4' drain heat tape; 15' pre-charged refrigeration lines with quick couplings. Freezer must have a five (5) years on compressor; a one (1) year on all parts; and a ten (10) years on insulated panels Refrigeration system must be charged by a certified refrigeration specialist.</p> <p>Brand or grade offered: <i>Her-Halee</i></p> <p>To include warranty: five (5) years on compressor; one (1) year on all parts; and ten (10) years on insulated panels Refrigeration system must be charged by a certified refrigeration specialist.</p> <p>Maintenance personnel at Cass Scenic Railroad State Park will receive and unload all panels and refrigeration equipment and inspect for damage Also, maintenance personnel will assemble cooler.</p> <p>Vendor must provide ninety (90) days service and labor on unit and respond to service calls within twenty-four (24) hours F.O.B Destination. Freight or delivery charges must be included in the price of the goods Delivery must be made within thirty (30) days of purchase order award Vendor must submit manufactures published literature and a copy of the specifications for the unit being proposed.</p>	11,458 ⁰⁰	11,458 ⁰⁰
		The award may be split if it is in the best interest of the West Virginia Division of Natural Resources		
			TOTAL THIS PAGE	<i>28471.00</i>

STATE OF WEST VIRGINIA
Purchasing Division

PURCHASING AFFIDAVIT

VENDOR OWING A DEBT TO THE STATE:

West Virginia Code §5A-3-10a provides that: No contract or renewal of any contract may be awarded by the state or any of its political subdivisions to any vendor or prospective vendor when the vendor or prospective vendor or a related party to the vendor or prospective vendor is a debtor and the debt owed is an amount greater than one thousand dollars in the aggregate.

PUBLIC IMPROVEMENT CONTRACTS & DRUG-FREE WORKPLACE ACT:

If this is a solicitation for a public improvement construction contract, the vendor, by its signature below, affirms that it has a written plan for a drug-free workplace policy in compliance with Article 1D, Chapter 21 of the *West Virginia Code*. The vendor **must** make said affirmation with its bid submission. Further, public improvement construction contract may not be awarded to a vendor who does not have a written plan for a drug-free workplace policy in compliance with Article 1D, Chapter 21 of the *West Virginia Code* and who has not submitted that plan to the appropriate contracting authority in timely fashion. For a vendor who is a subcontractor, compliance with Section 5, Article 1D, Chapter 21 of the *West Virginia Code* may take place before their work on the public improvement is begun.

ANTITRUST:

In submitting a bid to any agency for the state of West Virginia, the bidder offers and agrees that if the bid is accepted the bidder will convey, sell, assign or transfer to the state of West Virginia all rights, title and interest in and to all causes of action it may now or hereafter acquire under the antitrust laws of the United States and the state of West Virginia for price fixing and/or unreasonable restraints of trade relating to the particular commodities or services purchased or acquired by the state of West Virginia. Such assignment shall be made and become effective at the time the purchasing agency tenders the initial payment to the bidder

I certify that this bid is made without prior understanding, agreement, or connection with any corporation, firm, limited liability company, partnership or person or entity submitting a bid for the same materials, supplies, equipment or services and is in all respects fair and without collusion or fraud. I further certify that I am authorized to sign the certification on behalf of the bidder or this bid.

LICENSING:

Vendors must be licensed and in good standing in accordance with any and all state and local laws and requirements by any state or local agency of West Virginia, including, but not limited to, the West Virginia Secretary of State's Office, the West Virginia Tax Department, West Virginia Insurance Commission, or any other state agencies or political subdivision. Furthermore, the vendor must provide all necessary releases to obtain information to enable the Director or spending unit to verify that the vendor is licensed and in good standing with the above entities.

CONFIDENTIALITY:

The vendor agrees that he or she will not disclose to anyone, directly or indirectly, any such personally identifiable information or other confidential information gained from the agency, unless the individual who is the subject of the information consents to the disclosure in writing or the disclosure is made pursuant to the agency's policies, procedures and rules. Vendor further agrees to comply with the Confidentiality Policies and Information Security Accountability Requirements, set forth in <http://www.state.wv.us/admin/purchase/privacy/noticeConfidentiality.pdf>.

Under penalty of law for false swearing (*West Virginia Code* §61-5-3), it is hereby certified that the vendor affirms and acknowledges the information in this affidavit and is in compliance with the requirements as stated.

Vendor's Name: Celeen Newton, Bulter Fixture
Authorized Signature: Celeen Newton Date: 3-10-09



Second and Elm Streets
 P.O. Box 248
 Hudson, Wisconsin 54016
 800-955-5253
 715-386-2323
 715-386-6149 FAX

Customer: 1222
 BULLER FIXTURE CO, INC
 6828 L ST
 OMAHA, NE 68117
 Attention: Eileen Newton
 Project: SE - Cass Scenic Railroad
 Item Number:
 Rep Name: Searles Associates, Inc.
 Rep Number: 70
 MSR: Kathy TeWinkel

(1) Nor-Lake FINELINE Walk-in Freezer
 11' long, 6' 9" wide, 8' 7" high

This full size Nor-Lake walk-in contains 498 internal cubic feet to assure maximum storage capacity. Compare to other quotes which may be nominal dimensions which can result in reduced storage space.

(1) LASD300RL-4 Refrigeration System

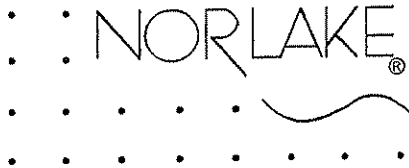
- (1) 18 Month Labor/Service Warranty for Self-Contained Refrigeration Systems
- (1) 5 Year Warranty for Series 300 to 350 Compressor
- (1) Standard 15 year Walk-in Panel Warranty
- (1) Standard 1 year Replacement Parts Warranty

Notes/Clarifications:

Approximate Total Shipping Weight: 2254

Nor-Lake panels are manufactured with environmentally friendly HFC134A polyurethane foam insulation. Prices protected from increase for 45 days from date of quotation. Prices void if purchase order, signed quote or print, and release for production are received later than 45 days from date of quotation. All shipments FOB Hudson, Wi. Based on the ship to address of this product, state sales tax may be applicable. If applicable, sales tax will be added to the Nor-Lake invoice.

Acceptance of an order based on this quotation is subject to credit approval.
 Please reference this Quotation Number on all correspondence.



Second and Elm Streets
 P.O. Box 248
 Hudson, Wisconsin 54016
 800-955-5253
 715-386-2323
 715-386-6149 FAX

Customer: 1222
 BULLER FIXTURE CO, INC
 6828 L ST

Attention: Eileen Newton
 Project: SE - Cass Scenic Railroad
 OMAHA, NE 68117

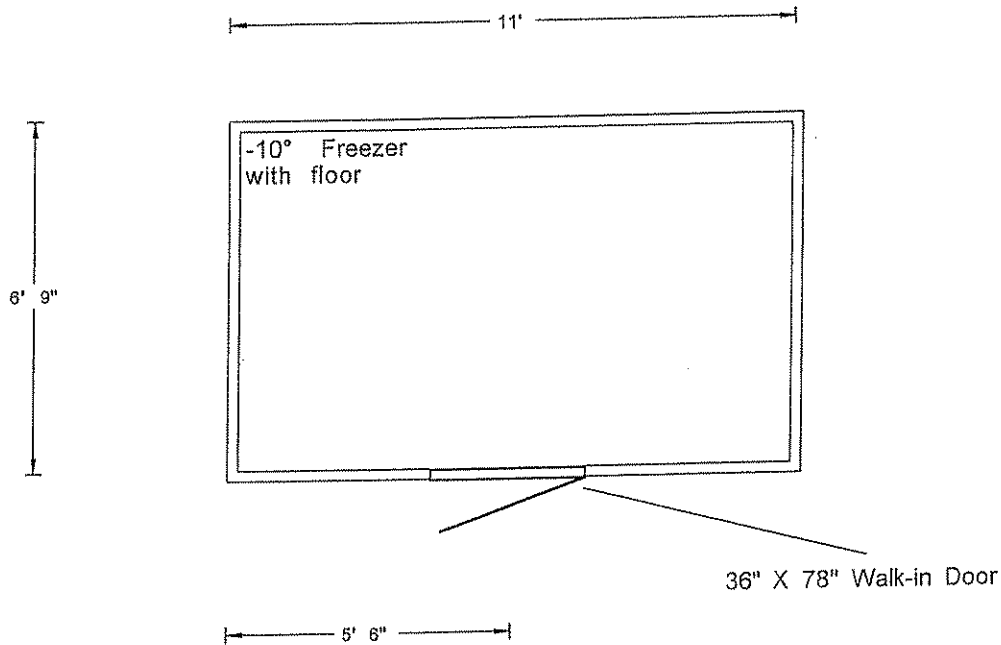
Prepared by: _____

Nor-Lake Is Registered By UL To ISO 9001:2000

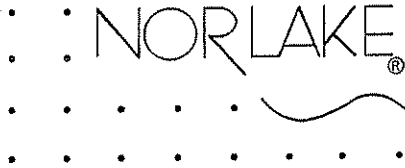
(1) Nor-Lake FINELINE Walk-in Freezer
 11' long, 6' 9" wide, 8' 7" high

Finishes:

26 gauge corrosion resistant stucco embossed coated steel
 interior walls, exterior walls, interior ceiling
 smooth aluminum
 interior floor for (1) freezer



(1) 36" X 78" Walk-in Door right-hand swing
 Includes door closer, cam lift hinges (one spring loaded), NL9800 deadbolt key/padlock handle w/inside release, magnetic gasket, heater wire, double sweep gasket, vapor proof light, and NL508 combination digital thermometer and switch w/pilot light.



Second and Elm Streets
 P.O. Box 248
 Hudson, Wisconsin 54016
 800-955-5253
 715-386-2323
 715-386-6149 FAX

Customer: 1222
 BULLER FIXTURE CO, INC
 6828 L ST

Attention: Eileen Newton
 Project: SE - Cass Scenic Railroad
 OMAHA, NE 68117

Construction Approvals: NSF Approved, UL Electrical and UL Flame Spread-25 in accordance with ASTM E-84

Nor-Lake panels are manufactured with environmentally friendly HFC134A polyurethane foam insulation.

(1) LASD300RL-4 Low Temperature, -10° F., Air Cooled, Scroll, R-404A, Remote Refrigeration System with Low Profile Unit Cooler, Meets CEC Requirements and 208/230-1-60 Electrical (system capacity 9710 BTU's/hour at 100° ambient temperature)

(1) (Kit I) Crankcase Heater, Head Pressure Control

(1) UL Approved All Weather Hood, Remote, Series 225 To 750

(1) Prewired Remote Freezer Refrigeration System With Controls Mounted in Control Box on Rack.

Condensing Unit and Unit Cooler Powered from Rack. Unit Cooler Inter Wiring to be Field Supplied. (Option " P")

(1) 15 Feet, Standard, Low Temperature, Series 250 To 300, Precharged Quick Disconnect Refrigeration Lines

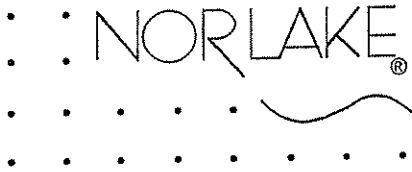
Calculated load for -10° Freezer is 6072 BTU's/hour calculated from 90° ambient temperature, 70° floor temperature (insulated floor), 18 minutes open door time for (1) 36" X 78" walk-in door (Heavy Use), opening into 90° ambient, (1) 100 watt light operating 12 hours per day,. All calculations are based on data supplied by ASHRAE publications.

(1) 18 Month Labor/Service Warranty for Self-Contained Refrigeration Systems

(1) 5 Year Warranty for Series 300 to 350 Compressor

Refrigeration is " sized " for holding product only; that is; our calculation is based on product entering at the same temperature as the desired temperature of this walk-in. If you feel that this is insufficient, please advise.

Quotation is subject to change upon receipt of detailed specifications and/or refrigeration load information.



Second and Elm Streets
 P.O. Box 248
 Hudson, Wisconsin 54016
 800-955-5253
 715-386-2323
 715-386-6149 FAX

Customer: 1222
 BULLER FIXTURE CO, INC
 6828 L ST

Attention: Eileen Newton
 Project: SE - Cass Scenic Railroad
 Item Number:
 Rep Name: Searles Associates, Inc.
 Rep Number: 70
 MSR: Kathy TeWinkel

OMAHA, NE 68117

(1) Nor-Lake FINELINE Walk-in Cooler
 11' 7" long, 6' 9" wide, 8' 7" high

This full size Nor-Lake walk-in contains 526 internal cubic feet to assure maximum storage capacity. Compare to other quotes which may be nominal dimensions which can result in reduced storage space.

(1) SPECIAL NAWD125RL-4 Refrigeration System

- (1) 18 Month Labor/Service Warranty for Self-Contained Refrigeration Systems
- (1) 5 Year Warranty for Series 100 Compressor
- (1) Standard 15 year Walk-in Panel Warranty
- (1) Standard 1 year Replacement Parts Warranty

∴

Notes/Clarifications:

Approximate Total Shipping Weight: 1924

Nor-Lake panels are manufactured with environmentally friendly HFC134A polyurethane foam insulation. Prices protected from increase for 45 days from date of quotation. Prices void if purchase order, signed quote or print, and release for production are received later than 45 days from date of quotation. All shipments FOB Hudson, Wi. Based on the ship to address of this product, state sales tax may be applicable. If applicable, sales tax will be added to the Nor-Lake invoice.

Acceptance of an order based on this quotation is subject to credit approval. Please reference this Quotation Number on all correspondence.



Second and Elm Streets
 P.O. Box 248
 Hudson, Wisconsin 54016
 800-955-5253
 715-386-2323
 715-386-6149 FAX

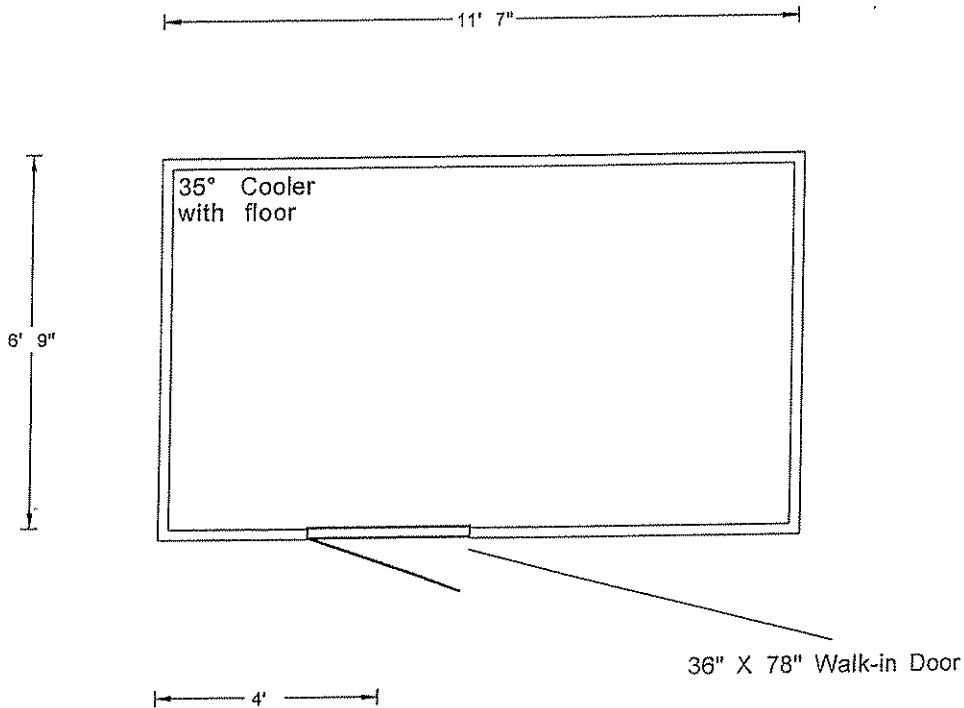
Customer: 1222
 BULLER FIXTURE CO, INC
 6828 L ST

Attention: OMAHA, NE 68117
 Eileen Newton
 Project: SE - Cass Scenic Railroad

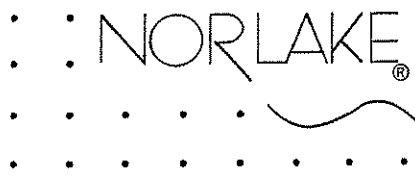
Prepared by: _____

Nor-Lake Is Registered By UL To ISO 9001:2000
 (1) Nor-Lake FINELINE Walk-in Cooler
 11' 7" long, 6' 9" wide, 8' 7" high

Finishes:
 26 gauge corrosion resistant stucco embossed coated steel
 interior walls, exterior walls, interior ceiling
 smooth aluminum
 interior floor for (1) cooler



(1) 36" X 78" Walk-in Door left-hand swing



Second and Elm Streets
 P.O. Box 248
 Hudson, Wisconsin 54016
 800-955-5253
 715-386-2323
 715-386-6149 FAX

Customer: 1222
 BULLER FIXTURE CO, INC
 6828 L ST

Attention: Eileen Newton
 Project: SE - Cass Scenic Railroad
 OMAHA, NE 68117

Includes door closer, cam lift hinges (one spring loaded), NL9800 deadbolt key/padlock handle w/inside release, magnetic gasket, heater wire, double sweep gasket, vapor proof light, and NL508 combination digital thermometer and switch w/pilot light.

Construction Approvals: NSF Approved, UL Electrical and UL Flame Spread-25 in accordance with ASTM E-84

Nor-Lake panels are manufactured with environmentally friendly HFC134A polyurethane foam insulation.

(1) SPECIAL NAWD125RL-4 High Temperature, 35-38° F., Air Cooled, Welded Hermetic, R-404A Remote Refrigeration system with (1) Copeland FJAM-A125-CFV condensing Unit with (1) WITT SA28-76BA Unit Cooler Meets CEC Requirements and 208/230-1-60 Electrical (system capacity 7822 BTU's/hour at 100° ambient temperature)

(1) Prewired Remote Cooler Refrigeration System With Controls Mounted in Control Box on Rack. Condensing Unit and Unit Cooler Powered from Rack. Unit Cooler Inter Wiring to be Field Supplied. (Option " P")

(1) (Kit I) Crankcase Heater, Head Pressure Control

(1) UL Approved All Weather Hood, Remote, Series 050 To 100

(1) 15 Feet, Standard, High Temperature, 100 Series, Precharged Quick Disconnect Refrigeration Lines
 Calculated load for 35° Cooler is 3324 BTU's/hour calculated from 90° ambient temperature, 70° floor temperature (insulated floor), 13 minutes open door time for (1) 36" X 78" walk-in door (normal Use), opening into 90° ambient, (1) 100 watt light operating 12 hours per day,. All calculations are based on data supplied by ASHRAE publications.

(1) 18 Month Labor/Service Warranty for Self-Contained Refrigeration Systems

(1) 5 Year Warranty for Series 100 Compressor

Refrigeration is " sized " for holding product only; that is; our calculation is based on product entering at the same temperature as the desired temperature of this walk-in. If you feel that this is insufficient, please advise.

Quotation is subject to change upon receipt of detailed specifications and/or refrigeration load information.



Second and Elm Streets
 P.O. Box 248
 Hudson, Wisconsin 54016
 800-955-5253
 715-386-2323
 715-386-6149 FAX

Customer: 1222
 BULLER FIXTURE CO, INC
 6828 L ST

Attention: Eileen Newton
 Project: SE - Cass Scenic Railroad
 Item Number:
 Rep Name: Searles Associates, Inc.
 Rep Number: 70
 MSR: Kathy TeWinkel

OMAHA, NE 68117

(1) Nor-Lake FINELINE Walk-in Cooler
 7' 9" long, 5' 10" wide, 8' 7" high

This full size Nor-Lake walk-in contains 290 internal cubic feet to assure maximum storage capacity. Compare to other quotes which may be nominal dimensions which can result in reduced storage space.

(1) SPECIAL NAWD75RL-4 Refrigeration System

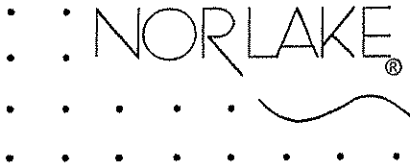
- (1) 18 Month Labor/Service Warranty for Self-Contained Refrigeration Systems
- (1) 5 Year Warranty for Series 075 to 087 Compressor
- (1) Standard 15 year Walk-in Panel Warranty
- (1) Standard 1 year Replacement Parts Warranty

Notes/Clarifications:

Approximate Total Shipping Weight: 1243

Nor-Lake panels are manufactured with environmentally friendly HFC134A polyurethane foam insulation. Prices protected from increase for 45 days from date of quotation. Prices void if purchase order, signed quote or print, and release for production are received later than 45 days from date of quotation. All shipments FOB Hudson, WI. Based on the ship to address of this product, state sales tax may be applicable. If applicable, sales tax will be added to the Nor-Lake invoice.

Acceptance of an order based on this quotation is subject to credit approval.
 Please reference this Quotation Number on all correspondence.



Second and Elm Streets
 P.O. Box 248
 Hudson, Wisconsin 54016
 800-955-5253
 715-386-2323
 715-386-6149 FAX

Customer: 1222
 BULLER FIXTURE CO, INC
 6828 L ST

Attention: Eileen Newton
 Project: SE - Cass Scenic Railroad
 OMAHA, NE 68117

Prepared by: _____

Nor-Lake is Registered By UL To ISO 9001:2000

(1) Nor-Lake FINELINE Walk-in Cooler

7' 9" long, 5' 10" wide, 8' 7" high

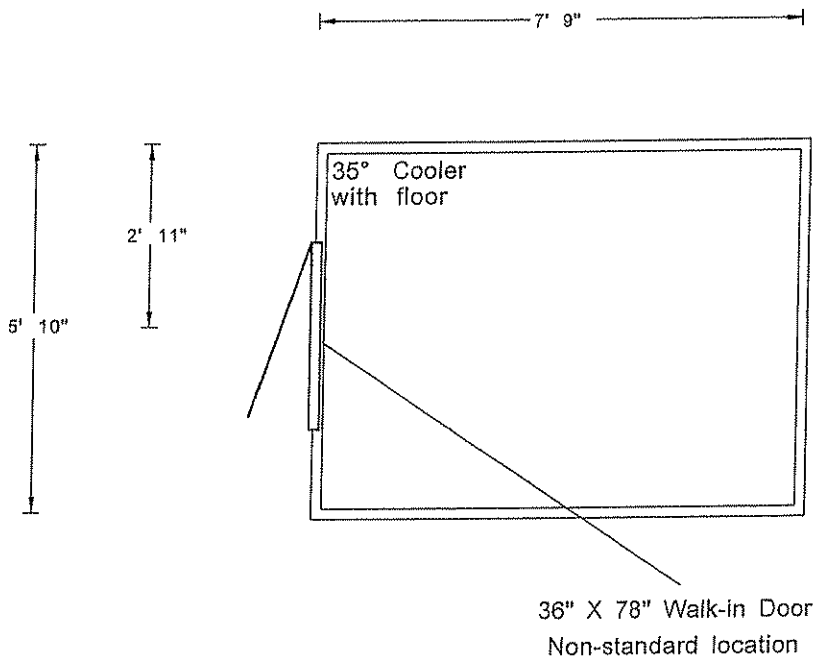
Finishes:

26 gauge corrosion resistant stucco embossed coated steel

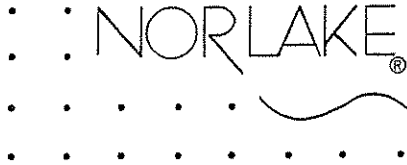
interior walls, exterior walls, interior ceiling

smooth aluminum

interior floor for (1) cooler



(1) 36" X 78" Walk-in Door Non-standard location left-hand swing



Second and Elm Streets
 P.O. Box 248
 Hudson, Wisconsin 54016
 800-955-5253
 715-386-2323
 715-386-6149 FAX

Customer: 1222
 BULLER FIXTURE CO, INC
 6828 L ST

Attention: Eileen Newton
 Project: SE - Cass Scenic Railroad
 OMAHA, NE 68117

Includes door closer, cam lift hinges (one spring loaded), NL9800 deadbolt key/padlock handle w/inside release, magnetic gasket, heater wire, double sweep gasket, vapor proof light, and NL508 combination digital thermometer and switch w/pilot light.

Construction Approvals: NSF Approved, UL Electrical and UL Flame Spread-25 in accordance with ASTM E-84

Nor-Lake panels are manufactured with environmentally friendly HFC134A polyurethane foam insulation.

(1) SPECIAL NAWD75RL-4 High Temperature, 35-38° F., Air Cooled, Welded Hermetic, R-404 Remote Refrigeration system with (1) FJAF-A075-IAV Condensing Unit with (1) WITT SA18-66BA unit Cooler Meets CEC Requirements and 208/230-1-60 Electrical (system capacity 5449 BTU's/hour at 100° ambient temperature)

(1) Prewired Remote Cooler Refrigeration System With Controls Mounted in Control Box on Rack. Condensing Unit and Unit Cooler Powered from Rack. Unit Cooler Inter Wiring to be Field Supplied. (Option " P")

(1) 15 Feet, Standard, High Temperature, Series 050 to 075, Precharged Quick Disconnect Refrigeration Lines

(1) (Kit I) Crankcase Heater, Head Pressure Control

(1) UL Approved All Weather Hood, Remote, Series 050 To 100

Calculated load for 35° Cooler is 2684 BTU's/hour calculated from 90° ambient temperature, 70° floor temperature (insulated floor), 12 minutes open door time for (1) 36" X 78" walk-in door (normal Use), opening into 90° ambient, (1) 100 watt light operating 12 hours per day,. All calculations are based on data supplied by ASHRAE publications.

(1) 18 Month Labor/Service Warranty for Self-Contained Refrigeration Systems

(1) 5 Year Warranty for Series 075 to 087 Compressor

Refrigeration is " sized " for holding product only; that is; our calculation is based on product entering at the same temperature as the desired temperature of this walk-in. If you feel that this is insufficient, please advise.

Quotation is subject to change upon receipt of detailed specifications and/or refrigeration load information.