



State of West Virginia
 Department of Administration
 Purchasing Division
 2019 Washington Street East
 Post Office Box 50130
 Charleston, WV 25305-0130

Request for Quotation

RFQ NUMBER
 COR61421

PAGE
 1

ADDRESS CORRESPONDENCE TO ATTENTION OF
 JOHN ABBOTT
 304-558-2544

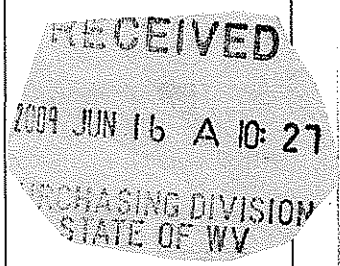
RFQ COPY
 TYPE NAME/ADDRESS HERE
SAM FELL AND SON INC,
300 SMITH STREET
FARMINGDALE, NY 11735

DIVISION OF CORRECTIONS
 MOUNT OLIVE CORRECTIONAL
 CENTER
 ONE MOUNTAINSIDE WAY
 MT. OLIVE, WV
 25185 304-442-7216

DATE PRINTED	TERMS OF SALE	SHIP VIA	F.O.B	FREIGHT TERMS
06/04/2009				

BID OPENING DATE: 06/16/2009 BID OPENING TIME 01:30PM

LINE	QUANTITY	UOP	CAT NO	ITEM NUMBER	UNIT PRICE	AMOUNT
0001	2	EA		165-85		
<p>STEAM COOKERS</p> <p>CONTRACT TO PROVIDE COMMERCIAL KITCHEN STEAMERS AND TILTING KETTLES, INCLUDING INSTALLATION, FOR THE MT. OLIVE CORRECTIONAL CENTER, MT. OLIVE, WV, PER THE SPECIFICATIONS.</p> <p>ALL REQUIREMENTS LISTED IN THE ATTACHED SPECIFICATIONS ARE TO BE BID; BRAND AND MODEL NUMBERS LISTED ARE THE MINIMUM STANDARD OF QUALITY ACCEPTABLE - BIDDERS SHALL INCLUDE AN EQUAL OR SUPERIOR PRODUCT AS LISTED.</p> <p>INSTALLATION, SET-UP, & TESTING IS REQUIRED.</p> <p>REMOVAL OF THE OLD EQUIPMENT IS THE RESPONSIBILITY OF THE SUCCESSFUL VENDOR. THE OLD EQUIPMENT SHALL BE PLACED AT A DESIGNATED STORAGE AREA WITHIN THE FACILITY.</p> <p>EXHIBIT 5</p> <p>WEST VIRGINIA CODE 21-1D-5 PROVIDES THAT: ANY SOLICITATION FOR A PUBLIC IMPROVEMENT CONSTRUCTION CONTRACT REQUIRES EACH VENDOR THAT SUBMITS A BID FOR THE WORK TO SUBMIT AT THE SAME TIME AN AFFIDAVIT OF COMPLIANCE WITH THE BID. THE ENCLOSED DRUG-FREE WORKPLACE AFFIDAVIT MUST BE SIGNED AND SUBMITTED WITH THE BID AS EVIDENCE OF THE VENDOR'S COMPLIANCE WITH THE PROVISIONS OF ARTICLE 1D, CHAPTER 21 OF THE WEST VIRGINIA CODE. FAILURE TO SUBMIT THE SIGNED DRUG-FREE WORKPLACE AFFIDAVIT WITH</p>						



SEE REVERSE SIDE FOR TERMS AND CONDITIONS

SIGNATURE: *[Signature]* TELEPHONE: 631 501 9700 DATE: 6/15/09

TITLE: President FEIN: 132526262 ADDRESS CHANGES TO BE NOTED ABOVE

WHEN RESPONDING TO RFQ, INSERT NAME AND ADDRESS IN SPACE ABOVE LABELED 'VENDOR'



State of West Virginia
 Department of Administration
 Purchasing Division
 2019 Washington Street East
 Post Office Box 50130
 Charleston, WV 25305-0130

Request for Quotation

RFQ NUMBER
 COR61421

PAGE
 2

ADDRESS CORRESPONDENCE TO ATTENTION OF
 JOHN ABBOTT
 304-558-2544

RFQ COPY

TYPE NAME/ADDRESS HERE

VENDOR

SAM JELL AND SON INC.
 300 SOUTH STREET
 FARMINGDALE, NY 11735

SHIP TO

DIVISION OF CORRECTIONS
 MOUNT OLIVE CORRECTIONAL
 CENTER
 ONE MOUNTAINSIDE WAY
 MT. OLIVE, WV
 25185 304-442-7216

DATE PRINTED	TERMS OF SALE	SHIP VIA	F.O.B.	FREIGHT TERMS
06/04/2009				

BID OPENING DATE: 06/16/2009 BID OPENING TIME 01:30PM

LINE	QUANTITY	UOP	CAT NO	ITEM NUMBER	UNIT PRICE	AMOUNT
<p>THE BID SHALL RESULT IN DISQUALIFICATION OF SUCH BID.</p> <p>NOTICE TO PROCEED: THIS CONTRACT IS TO BE PERFORMED WITHIN 30 CALENDAR DAYS AFTER THE NOTICE TO PROCEED IS RECEIVED. UNLESS OTHERWISE SPECIFIED, THE FULLY EXECUTED PURCHASE ORDER WILL BE CONSIDERED NOTICE TO PROCEED.</p> <p>CANCELLATION: THE DIRECTOR OF PURCHASING RESERVES THE RIGHT TO CANCEL THIS CONTRACT IMMEDIATELY UPON WRITTEN NOTICE TO THE VENDOR IF THE MATERIALS OR WORKMANSHIP SUPPLIED ARE OF AN INFERIOR QUALITY OR DO NOT CONFORM WITH THE SPECIFICATIONS OF THE BID AND CONTRACT HERE IN.</p> <p>WAGE RATES: THE CONTRACTOR OR SUBCONTRACTOR SHALL PAY THE HIGHER OF THE U.S. DEPARTMENT OF LABOR MINIMUM WAGE RATES AS ESTABLISHED FOR FAYETTE COUNTY, PURSUANT TO WEST VIRGINIA CODE 21-5A, ET, SEQ. (PREVAILING WAGE RATES APPLY TO THIS PROJECT)</p> <p>ARBITRATION: ANY REFERENCES MADE TO ARBITRATION OR INTEREST FOR PAYMENTS DUE (EXCEPT FOR ANY INTEREST REQUIRED BY STATE LAW) CONTAINED IN THIS CONTRACT OR IN ANY AMERICAN INSTITUTE OF ARCHITECTS DOCUMENTS PERTAINING TO THIS CONTRACT ARE HEREBY DELETED.</p> <p>WORKERS' COMPENSATION: VENDOR IS REQUIRED TO PROVIDE A CERTIFICATE FROM WORKERS' COMPENSATION IF SUCCESSFUL.</p> <p>ALL OF THE ITEMS CHECKED BELOW WILL BE A REQUIREMENT OF THIS CONTRACT:</p> <p>(XX) INSURANCE: SUCCESSFUL VENDOR SHALL FURNISH PROOF OF COMMERCIAL GENERAL LIABILITY INSURANCE PRIOR TO ISSUANCE OF CONTRACT. UNLESS OTHERWISE SPECIFIED IN</p>						

SEE REVERSE SIDE FOR TERMS AND CONDITIONS

SIGNATURE: *MJA* TELEPHONE: 631 501 9900 DATE: 6/15/09
 TITLE: President FEIN: 13252626 ADDRESS CHANGES TO BE NOTED ABOVE

WHEN RESPONDING TO RFQ, INSERT NAME AND ADDRESS IN SPACE ABOVE LABELED 'VENDOR'



State of West Virginia
 Department of Administration
 Purchasing Division
 2019 Washington Street East
 Post Office Box 50130
 Charleston, WV 25305-0130

Request for Quotation

RFQ NUMBER
 COR61421

PAGE
 3

ADDRESS CORRESPONDENCE TO ATTENTION OF
 JOHN ABBOTT
 304-558-2544

RFQ COPY
 TYPE NAME/ADDRESS HERE

VENDOR
 SAM TELL AND SON INC.
 310 SMITH STREET
 FARMINGDALE, NY 11735

SHIP TO
 DIVISION OF CORRECTIONS
 MOUNT OLIVE CORRECTIONAL
 CENTER
 ONE MOUNTAINSIDE WAY
 MT. OLIVE, WV
 25185 304-442-7216

DATE PRINTED	TERMS OF SALE	SHIP VIA	F.O.B.	FREIGHT TERMS
06/04/2009				
BID OPENING DATE: 06/16/2009		BID OPENING TIME: 01:30PM		

LINE	QUANTITY	UOP	CAT NO	ITEM NUMBER	UNIT PRICE	AMOUNT
<p>THE BID DOCUMENTS THE MINIMUM AMOUNT OF INSURANCE COVERAGE REQUIRED IS \$250,000.</p> <p>() BUILDERS RISK INSURANCE: SUCCESSFUL VENDOR SHALL FURNISH PROOF OF BUILDERS RISK - ALL RISK INSURANCE IN AN AMOUNT EQUAL TO 100% OF THE AMOUNT OF THE CONTRACT.</p> <p>(XX) BONDS: FIVE PERCENT (5%) OF THE TOTAL AMOUNT OF THE BID PAYABLE TO THE STATE OF WEST VIRGINIA, SHALL BE SUBMITTED WITH EACH BID AS A BID BOND. THE SUCCESSFUL BIDDER SHALL ALSO FURNISH A PERFORMANCE BOND AND LABOR/MATERIAL BOND FOR 100% OF THE AMOUNT OF THE CONTRACT. BONDS MAY BE PROVIDED IN THE FORM OF A CERTIFIED CHECK, IRREVOCABLE LETTER OF CREDIT, OR BOND FURNISHED BY A SOLVENT SURETY COMPANY AUTHORIZED TO DO BUSINESS IN THE STATE OF WEST VIRGINIA. A LETTER OF CREDIT SUBMITTED IN LIEU OF A BOND WILL ONLY BE ALLOWED FOR PROJECTS UNDER \$100,000. PERSONAL OR BUSINESS CHECKS ARE NOT ACCEPCTABLE IN LIEU OF THE 5% BID BOND, PERFORMANCE BOND, OR LABOR AND MATERIAL BOND.</p> <p>() MAINTENANCE BOND: A TWO (2) YEAR MAINTENANCE BOND COVERING THE ROOFING SYSTEM WILL BE A REQUIREMENT OF THE SUCCESSFUL VENDOR.</p> <p>REV. 11/00</p> <p>EXHIBIT 7</p> <p>DOMESTIC ALUMINUM, GLASS & STEEL IN PUBLIC WORKS PROJECTS</p> <p>IN ACCORDANCE WITH WEST VIRGINIA CODE 5-19-1 ET., SEQ., EVERY CONTRACT FOR CONSTRUCTION, RECONSTRUCTION, ALTERATION, REPAIR, IMPROVEMENT OR MAINTENANCE OF</p>						

SEE REVERSE SIDE FOR TERMS AND CONDITIONS

SIGNATURE <i>John Abbott</i>	TELEPHONE 631 501 9700	DATE 6/15/09
TITLE President	FEN 132526262	ADDRESS CHANGES TO BE NOTED ABOVE

WHEN RESPONDING TO RFQ, INSERT NAME AND ADDRESS IN SPACE ABOVE LABELED 'VENDOR'



State of West Virginia
 Department of Administration
 Purchasing Division
 2019 Washington Street East
 Post Office Box 50130
 Charleston, WV 25305-0130

Request for Quotation

RFQ NUMBER
 COR61421

PAGE
 4

ADDRESS CORRESPONDENCE TO ATTENTION OF
 JOHN ABBOTT
 304-558-2544

RFQ COPY
 TYPE NAME/ADDRESS HERE

SAM TELL AND SON INC.
 300 SMITH STREET
 FARMINGDALE, NY 11735

DIVISION OF CORRECTIONS
 MOUNT OLIVE CORRECTIONAL
 CENTER
 ONE MOUNTAINSIDE WAY
 MT. OLIVE, WV
 25185 304-442-7216

DATE PRINTED	TERMS OF SALE	SHIP VIA	F.O.B.	FREIGHT TERMS
06/04/2009				

BID OPENING DATE: 06/16/2009 BID OPENING TIME 01:30PM

LINE	QUANTITY	UOP	CAT NO.	ITEM NUMBER	UNIT PRICE	AMOUNT
<p>PUBLIC WORKS, WHERE THE COST IS MORE THAN \$50,000 AND, IN THE CASE OF STEEL ONLY, WHERE THE COST OF STEEL IS MORE THAN \$50,000 OR WHERE MORE THAN 10,000 POUNDS OF STEEL ARE REQUIRED, THE STATE WILL ACCEPT ONLY ALUMINUM GLASS, OR STEEL PRODUCTS PRODUCED IN THE UNITED STATES. IN ADDITION, ITEMS OF MACHINERY OR EQUIPMENT PURCHASED FOR USE AT THE SITE OF PUBLIC WORKS SHALL BE MADE OF DOMESTIC ALUMINUM, GLASS OR STEEL, UNLESS THE COST OF THE PRODUCT IS LESS THAN \$50,000 OR LESS THAN 10,000 POUNDS OF STEEL ARE USED IN PUBLIC WORKS PROJECTS.</p> <p>FOREIGN MADE ALUMINUM, GLASS OR STEEL PRODUCTS MAY BE ACCEPTED ONLY IF THE COST OF DOMESTIC PRODUCTS IS FOUND TO BE UNREASONABLE. SUCH COST IS UNREASONABLE IF IT IS 20% OR MORE HIGHER THAN THE BID PRICE FOR FOREIGN MADE PRODUCTS. IF THE DOMESTIC ALUMINUM, GLASS OR STEEL PRODUCTS TO BE SUPPLIED OR PRODUCED IN A "SUBSTANTIAL LABOR SURPLUS AREA", AS DEFINED BY THE UNITED STATES DEPARTMENT OF LABOR, FOREIGN PRODUCTS MAY BE SUPPLIED ONLY IF DOMESTIC PRODUCTS ARE 30% OR MORE HIGHER IN PRICE THAN THE FOREIGN MADE PRODUCTS.</p> <p>IF, PRIOR TO THE AWARD OF A CONTRACT UNDER THE ABOVE PROVISIONS, THE SPENDING OFFICER OF THE SPENDING UNIT DETERMINES THAT THERE EXISTS A BID FOR LIKE FOREIGN ALUMINUM, GLASS OR STEEL THAT IS REASONABLE AND LOWER THAN THE LOWEST BID DOMESTIC PRODUCTS, THE SPENDING OFFICE MAY REQUEST, IN WRITING, A REEVALUATION AND REDUCTION IN THE LOWEST BID FOR SUCH DOMESTIC PRODUCTS. ALL VENDORS MUST INDICATE IN THEIR BID IF THEY ARE SUPPLYING FOREIGN ALUMINUM, GLASS OR STEEL.</p> <p>REV. 3/88</p> <p>EXHIBIT 9</p>						

SEE REVERSE SIDE FOR TERMS AND CONDITIONS

SIGNATURE <i>Mh</i>	TELEPHONE 631 501 9700	DATE 6/15/09
TITLE President	ADDRESS CHANGES TO BE NOTED ABOVE	

WHEN RESPONDING TO REQ. INSERT NAME AND ADDRESS IN SPACE ABOVE LABELLED 'VENDOR'



State of West Virginia
 Department of Administration
 Purchasing Division
 2019 Washington Street East
 Post Office Box 50130
 Charleston, WV 25305-0130

Request for Quotation

RFQ NUMBER
 COR61421

PAGE
 5

ADDRESS CORRESPONDENCE TO ATTENTION OF
 JOHN ABBOTT
 304-558-2544

RFQ COPY
 TYPE NAME/ADDRESS HERE

SAV TELL AND SON INC.
 340 SMITH STREET
 FARMINGDALE, NY 11735

DIVISION OF CORRECTIONS
 MOUNT OLIVE CORRECTIONAL
 CENTER
 ONE MOUNTAINSIDE WAY
 MT. OLIVE, WV
 25185 304-442-7216

DATE PRINTED	TERMS OF SALE	SHIP VIA	F.O.B.	FREIGHT TERMS
06/04/2009				
BID OPENING DATE: 06/16/2009		BID OPENING TIME 01:30PM		

LINE	QUANTITY	UOP	CAT. NO.	ITEM NUMBER	UNIT PRICE	AMOUNT
<p>NOTICE FOR ISSUANCE & ACKNOWLEDGEMENT OF CONSTRUCTION PROJECT ADDENDA</p> <p>THE ARCHITECT/ENGINEER AND/OR AGENCY SHALL BE REQUIRED TO ABIDE BY THE FOLLOWING SCHEDULE IN ISSUING CONSTRUCTION PROJECT ADDENDA FOR STATE AGENCIES:</p> <p>(1) THE ARCHITECT/ENGINEER SHALL PREPARE THE ADDENDUM AND A LIST OF ALL PARTIES THAT HAVE PROCURED DRAWINGS AND SPECIFICATIONS FOR THE PROJECT. THE ADDENDUM AND LIST SHALL BE FORWARDED TO THE BUYER IN THE STATE PURCHASING DIVISION. THE ARCHITECT/ENGINEER SHALL ALSO SEND A COPY OF THE ADDENDUM TO THE STATE AGENCY FOR WHICH THE CONTRACT IS ISSUED.</p> <p>(2) THE BUYER SHALL SEND THE ADDENDUM TO ALL INTERESTED PARTIES AND, IF NECESSARY, EXTEND THE BID OPENING DATE. ANY ADDENDUM SHOULD BE RECEIVED BY THE BUYER WITHIN FOURTEEN (14) DAYS PRIOR TO THE BID OPENING DATE.</p> <p>(3) ALL ADDENDA SHOULD BE FORMALLY ACKNOWLEDGED BY ALL BIDDERS AND SUBMITTED TO THE STATE PURCHASING DIVISION. THE SAME RULES AND REGULATIONS THAT APPLY TO THE ORIGINAL BIDDING DOCUMENT SHALL ALSO APPLY TO AN ADDENDUM DOCUMENT. THE ONLY EXCEPTION MAY BE FOR AN ADDENDUM THAT IS ISSUED FOR THE SOLE PURPOSE OF CHANGING A BID OPENING TIME AND/OR DATE.</p> <p>REV. 11/96</p> <p>EXHIBIT 10</p>						

SEE REVERSE SIDE FOR TERMS AND CONDITIONS.

SIGNATURE	TELEPHONE	DATE
<i>M. H.</i>	631 501 9700	6/5/09
TITLE	FERN	ADDRESS CHANGES TO BE NOTED ABOVE
President	132526262	

WHEN RESPONDING TO RFQ INSERT NAME AND ADDRESS IN SPACE ABOVE I AM AN 'ENDOR'



State of West Virginia
 Department of Administration
 Purchasing Division
 2019 Washington Street East
 Post Office Box 50130
 Charleston, WV 25305-0130

Request for Quotation

RFQ NUMBER
COR61421

PAGE
6

ADDRESS CORRESPONDENCE TO ATTENTION OF
JOHN ABBOTT
304-558-2544

RFQ COPY
 TYPE NAME/ADDRESS HERE

VENDOR

SAM TELL AND SON INC.
300 SMITH STREET
FARMINGDALE, NY 11735

SHIP TO

DIVISION OF CORRECTIONS
MOUNT OLIVE CORRECTIONAL
CENTER
ONE MOUNTAINSIDE WAY
MT. OLIVE, WV
25185 **304-442-7216**

DATE PRINTED	TERMS OF SALE	SHIP VIA	FOB	FREIGHT TERMS
06/04/2009				

BID OPENING DATE: **06/16/2009** BID OPENING TIME **01:30PM**

LINE	QUANTITY	UOP	CAT. NO.	ITEM NUMBER	UNIT PRICE	AMOUNT
ADDENDUM ACKNOWLEDGEMENT						
I HEREBY ACKNOWLEDGE RECEIPT OF THE FOLLOWING CHECKED ADDENDUM(S) AND HAVE MADE THE NECESSARY REVISIONS TO MY PROPOSAL, PLANS AND/OR SPECIFICATION, ETC.						
ADDENDUM NOS. :						
NO. 1						
NO. 2						
NO. 3						
NO. 4						
NO. 5						
I UNDERSTAND THAT FAILURE TO CONFIRM THE RECEIPT OF THE ADDENDUM(S) MAY BE CAUSE FOR REJECTION OF THE BIDS.						
VENDOR MUST CLEARLY UNDERSTAND THAT ANY VERBAL REPRESENTATION MADE OR ASSUMED TO BE MADE DURING ANY ORAL DISCUSSION HELD BETWEEN VENDOR'S REPRESENTATIVES AND ANY STATE PERSONNEL IS NOT BINDING. ONLY THE INFORMATION ISSUED IN WRITING AND ADDED TO THE SPECIFICATIONS BY AN OFFICIAL ADDENDUM IS BINDING.						
..... SAM TELL AND SON INC.				SIGNATURE		
.....				COMPANY		
..... 6/15/09				DATE		

REV. 11/96

SEE REVERSE SIDE FOR TERMS AND CONDITIONS

SIGNATURE <i>[Signature]</i>	TELEPHONE 631 501 9700	DATE 6/15/09
TITLE President	FAX 1325 26262	ADDRESS CHANGES TO BE NOTED ABOVE

WHEN RESPONDING TO REQ. INSERT NAME AND ADDRESS IN SPACE ABOVE Labeled 'VENDOR'



State of West Virginia
 Department of Administration
 Purchasing Division
 2019 Washington Street East
 Post Office Box 50130
 Charleston, WV 25305-0130

Request for Quotation

RFQ NUMBER
COR61421

PAGE
7

ADDRESS CORRESPONDENCE TO ATTENTION OF:
JOHN ABBOTT
304-558-2544

RFQ COPY

TYPE NAME/ADDRESS HERE

SAM TELL AND SON INC.
300 SMITH STREET
FARMINGDALE, NY 11735

DIVISION OF CORRECTIONS
MOUNT OLIVE CORRECTIONAL
CENTER
ONE MOUNTAINSIDE WAY
MT. OLIVE, WV
25185 304-442-7216

DATE PRINTED	TERMS OF SALE	SHIP VIA	F.O.B.	FREIGHT TERMS
06/04/2009				

BID OPENING DATE: **06/16/2009** BID OPENING TIME **01:30PM**

LINE	QUANTITY	UOP	CAT NO.	ITEM NUMBER	UNIT PRICE	AMOUNT
<p>APPLICABLE LAW</p> <p>THE WEST VIRGINIA STATE CODE, PURCHASING DIVISION RULES AND REGULATIONS, AND THE INFORMATION PROVIDED IN THE "REQUEST FOR QUOTATION" ISSUED BY THE PURCHASING DIVISION IS THE SOLE AUTHORITY GOVERNING THIS PROCUREMENT.</p>						
***** THIS IS THE END OF RFQ COR61421 ***** TOTAL:						

SEE REVERSE SIDE FOR TERMS AND CONDITIONS

SIGNATURE <i>Mh</i>	TELEPHONE 631 501 9700	DATE 6/15/09
TITLE President	FEIN 132526262	ADDRESS CHANGES TO BE NOTED ABOVE

WHEN RESPONDING TO RFQ INSERT NAME AND ADDRESS IN SPACE ABOVE I AM AN 'VENDOR'

1

STEAMER, CONVECTION, GAS, FLOOR MODEL

Convection Steamer, gas, 2 compartment, 24" cabinet base shall have six 12 x 20 x 2-1/2" pan/compartment capacity, twin gas-fired generators with individual electronic ignition system. 190,000 BTU

Gas type to be specified

120v/60/1-ph

91-6852 Kleensteam, includes 2 yr. boiler warranty, 7CB5 cartridge, SS-10 scale inhibitor cartridge, (4) ScaleKleen 2.2 lb packets & dip tube.

PRISON PACKAGE Consists of:

- *A Lockable Stainless Steel Hinged Cover over the Cooker Controls
- *Lockable Modular Cabinet Base Doors, Side and Rear Panels Secured to the SS Base Frame with Tamper Proof Screws.
- *Four (4) Flanged Feet for Securing the Unit to the Floor
- *All Exposed Screws to be Tamper Proof

Note: Locks are Not Included

Weight: 1510 lbs. total

One (1) year Parts & Labor Warranty, and Free Mechanical Start-Up included in pricing.

2

TILTING KETTLE, GAS

Kettle, tilting, gas, 60-gallon capacity, 2/3 steam jacket design, open leg base, all stainless steel exterior finish, 120,000 BTU

Gas type to be specified

120v/60-50/1ph, std.

08-0011 Tangent Draw-Off Valve, 3", for tilting kettles (not available on modular kettles)

09-1116 Lift-Cover, 60 gallon tilting kettle

09-1125 Hinged Cover, for 60 gallon tilling kettle

PRISON PACKAGE Consists of

*Lockable Stainless Steel Hinged Cover over the Control Panel

**Lock Not Included

*All Exposed Screws will be Tamper Proof Tack Welds where Applicable

Weight: 2000 lbs. total

One (1) Year Parts & Labor Warranty, and Free Mechanical Start-up included in pricing.

COR61421 - Commercial Kitchen Equipment - BID FORM		
Description	Order Qty.	Extended Price
Double Stack Convection Steamer	1	\$ 16,467.03
Tilting Kettle	2	\$ 41,876.46
Failure to use this form may result in disqualification		\$58,343.49
Bidder / Vendor Information:		
Name:	SAM TELL AND SON INC.	
Address:	300 SMITH STREET	
	FARMINGDALE, NY 11735	
Phone# :	631 501 9700	
Email Address:	F.SmPloce@samtell.com	

STEAMER- Market Forge - ST. 12 TGR
+ PRISON PACKAGE

TILT Kettle - Market Forge. FT. 60 RC
+ PRISON PACKAGE

INSTALL INCLUDED



State of West Virginia
DRUG FREE WORKPLACE CONFORMANCE AFFIDAVIT
West Virginia Code §21-1D-5

STATE OF New York

COUNTY OF Suffolk, TO-WIT:

I, MARC TELL, after being first duly sworn, depose and state as follows:

1. I am an employee of SAM TELL AND SON INC.; and,
(Company Name)

2. I do hereby attest that SAM TELL AND SON INC.
(Company Name)

maintains a valid written drug free workplace policy and that such policy is in compliance with **West Virginia Code §21-1D-5**.

The above statements are sworn to under the penalty of perjury.

SAM TELL AND SON INC.
(Company Name)

By: M. Tell

Title: President

Date: 6/15/09

Taken, subscribed and sworn to before me this 15th day of June, 2009

By Commission expires August 9, 2012

(Seal) 1RUG6114140

Caterina M. Levesque
(Notary Public)

THIS AFFIDAVIT MUST BE SUBMITTED WITH THE BID IN ORDER TO COMPLY WITH WV CODE PROVISIONS. FAILURE TO INCLUDE THE AFFIDAVIT WITH THE BID SHALL RESULT IN DISQUALIFICATION OF THE BID.

STATE OF WEST VIRGINIA
Purchasing Division**PURCHASING AFFIDAVIT****VENDOR OWING A DEBT TO THE STATE:**

West Virginia Code §5A-3-10a provides that: No contract or renewal of any contract may be awarded by the state or any of its political subdivisions to any vendor or prospective vendor when the vendor or prospective vendor or a related party to the vendor or prospective vendor is a debtor and the debt owed is an amount greater than one thousand dollars in the aggregate.

PUBLIC IMPROVEMENT CONTRACTS & DRUG-FREE WORKPLACE ACT:

If this is a solicitation for a public improvement construction contract, the vendor, by its signature below, affirms that it has a written plan for a drug-free workplace policy in compliance with Article 1D, Chapter 21 of the *West Virginia Code*. The vendor **must** make said affirmation with its bid submission. Further, public improvement construction contract may not be awarded to a vendor who does not have a written plan for a drug-free workplace policy in compliance with Article 1D, Chapter 21 of the *West Virginia Code* and who has not submitted that plan to the appropriate contracting authority in timely fashion. For a vendor who is a subcontractor, compliance with Section 5, Article 1D, Chapter 21 of the *West Virginia Code* may take place before their work on the public improvement is begun.

ANTITRUST:

In submitting a bid to any agency for the state of West Virginia, the bidder offers and agrees that if the bid is accepted the bidder will convey, sell, assign or transfer to the state of West Virginia all rights, title and interest in and to all causes of action it may now or hereafter acquire under the antitrust laws of the United States and the state of West Virginia for price fixing and/or unreasonable restraints of trade relating to the particular commodities or services purchased or acquired by the state of West Virginia. Such assignment shall be made and become effective at the time the purchasing agency tenders the initial payment to the bidder.

I certify that this bid is made without prior understanding, agreement, or connection with any corporation, firm, limited liability company, partnership or person or entity submitting a bid for the same materials, supplies, equipment or services and is in all respects fair and without collusion or fraud. I further certify that I am authorized to sign the certification on behalf of the bidder or this bid.

LICENSING:

Vendors must be licensed and in good standing in accordance with any and all state and local laws and requirements by any state or local agency of West Virginia, including, but not limited to, the West Virginia Secretary of State's Office, the West Virginia Tax Department, West Virginia Insurance Commission, or any other state agencies or political subdivision. Furthermore, the vendor must provide all necessary releases to obtain information to enable the Director or spending unit to verify that the vendor is licensed and in good standing with the above entities.

CONFIDENTIALITY:

The vendor agrees that he or she will not disclose to anyone, directly or indirectly, any such personally identifiable information or other confidential information gained from the agency, unless the individual who is the subject of the information consents to the disclosure in writing or the disclosure is made pursuant to the agency's policies, procedures and rules. Vendor further agrees to comply with the Confidentiality Policies and Information Security Accountability Requirements, set forth in <http://www.state.wv.us/admin/purchase/privacy/noticeConfidentiality.pdf>.

Under penalty of law for false swearing (*West Virginia Code* §61-5-3), it is hereby certified that the vendor affirms and acknowledges the information in this affidavit and is in compliance with the requirements as stated.

Vendor's Name: _____
Authorized Signature: *dh* Date: 6/15/09

**GENERAL TERMS & CONDITIONS
REQUEST FOR QUOTATION (RFQ) AND REQUEST FOR PROPOSAL (RFP)**

1. Awards will be made in the best interest of the State of West Virginia.
2. The State may accept or reject in part, or in whole, any bid.
3. All quotations are governed by the *West Virginia Code* and the *Legislative Rules* of the Purchasing Division.
4. Prior to any award, the apparent successful vendor must be properly registered with the Purchasing Division and have paid the required \$125 fee.
5. All services performed or goods delivered under State Purchase Order/Contracts are to be continued for the term of the Purchase Order/Contracts, contingent upon funds being appropriated by the Legislature or otherwise being made available. In the event funds are not appropriated or otherwise available for these services or goods, this Purchase Order/Contract becomes void and of no effect after June 30.
6. Payment may only be made after the delivery and acceptance of goods or services.
7. Interest may be paid for late payment in accordance with the *West Virginia Code*.
8. Vendor preference will be granted upon written request in accordance with the *West Virginia Code*.
9. The State of West Virginia is exempt from federal and state taxes and will not pay or reimburse such taxes.
10. The Director of Purchasing may cancel any Purchase Order/Contract upon 30 days written notice to the seller.
11. The laws of the State of West Virginia and the *Legislative Rules* of the Purchasing Division shall govern all rights and duties under the Contract, including without limitation the validity of this Purchase Order/Contract.
12. Any reference to automatic renewal is hereby deleted. The Contract may be renewed only upon mutual written agreement of the parties.
13. **BANKRUPTCY:** In the event the vendor/contractor files for bankruptcy protection, the State may deem this contract null and void, and terminate such contract without further order.
14. **HIPAA BUSINESS ASSOCIATE ADDENDUM:** The West Virginia State Government HIPAA Business Associate Addendum (BAA), approved by the Attorney General, and available online at the Purchasing Division's web site (<http://www.state.wv.us/admin/purchase/vrc/hipaa.htm>) is hereby made part of the agreement. Provided that, the Agency meets the definition of a Cover Entity (45 CFR §160.103) and will be disclosing Protected Health Information (45 CFR §160.103) to the vendor.
15. **WEST VIRGINIA ALCOHOL & DRUG-FREE WORKPLACE ACT:** If this Contract constitutes a public improvement construction contract as set forth in Article 1D, Chapter 21 of the West Virginia Code ("The West Virginia Alcohol and Drug-Free Workplace Act"), then the following language shall hereby become part of this Contract: "The contractor and its subcontractors shall implement and maintain a written drug-free workplace policy in compliance with the West Virginia Alcohol and Drug-Free Workplace Act, as set forth in Article 1D, Chapter 21 of the West Virginia Code. The contractor and its subcontractors shall provide a sworn statement in writing, under the penalties of perjury, that they maintain a valid drug-free work place policy in compliance with the West Virginia and Drug-Free Workplace Act. It is understood and agreed that this Contract shall be cancelled by the awarding authority if the Contractor: 1) Fails to implement its drug-free workplace policy; 2) Fails to provide information regarding implementation of the contractor's drug-free workplace policy at the request of the public authority; or 3) Provides to the public authority false information regarding the contractor's drug-free workplace policy."

INSTRUCTIONS TO BIDDERS

1. Use the quotation forms provided by the Purchasing Division.
2. **SPECIFICATIONS:** Items offered must be in compliance with the specifications. Any deviation from the specifications must be clearly indicated by the bidder. Alternates offered by the bidder as **EQUAL** to the specifications must be clearly defined. A bidder offering an alternate should attach complete specifications and literature to the bid. The Purchasing Division may waive minor deviations to specifications.
3. Complete all sections of the quotation form.
4. Unit prices shall prevail in case of discrepancy.
5. All quotations are considered F.O.B. destination unless alternate shipping terms are clearly identified in the quotation.
6. **BID SUBMISSION:** All quotations must be delivered by the bidder to the office listed below prior to the date and time of the bid opening. Failure of the bidder to deliver the quotations on time will result in bid disqualifications: Department of Administration, Purchasing Division, 2019 Washington Street East, P.O. Box 50130, Charleston, WV 25305-0130

G	12 PAN GAS CONVECTION STEAMER WITH TWIN GAS GENERATOR	JOB NAME: _____ ITEM NO.: _____ NO. REQUIRED: _____
----------	--	---

MODEL: ST-12-TGG

SIZE: 24" Wide x 76" High x 39" Front-to-Back
 (610mm Wide x 1931mm High x 991mm Front-to-Back)

DESCRIPTION: Shall be a Market Forge Model ST-12-TGG gas fired convection steam cooker. Will be integrally mounted on a cabinet base containing individual gas fired steam generators.

The ST-12-TGG will be of double-wall construction with 1" (25mm) thick insulation between cooking compartments and exterior walls, and will have two 18 gauge stainless steel welded cooking compartments with coved internal corners, and a 16 gauge stainless steel front panel.

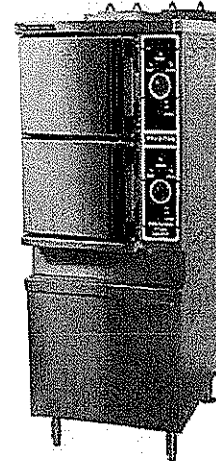
Each cooking compartment on the ST-12-TGG has a positive slam action, field-reversible door constructed of Type 304 stainless steel. Door latches are spring loaded. The inner door gasket is a one-piece NSF-approved silicone rubber gasket. Factory installs units with the door opening from the right, see diagram.

Each compartment will be equipped with two steam inlets positioned precisely to ensure even steam cooking across all food products. Controls for each compartment will include a 60-minute load compensating timer with constant steam position, on/off power switch, pilot ready light, pilot cooking light, pilot ignition light, vacuum breaker, an automatic cold water steam condenser system, and a removable drip trough.

Each compartment will be independently and automatically controlled by setting the cooking time on the 60-minute timer. At the end of cooking cycle, the pilot cooking light will turn off and a continuous signal will sound. Signal is silenced by returning the timer to the OFF position.

Stainless steel cabinet base will match other Market Forge stainless steel equipment and enclose steam generators. Base will be equipped with 6" (152mm) stainless steel legs and adjustable bullet feet, reinforced stainless steel counter-top, and hinged door(s) with magnetic catches.

The steam generators will be automatically filled with water and brought to a ready position when the power switches are turned on and automatically drain when the power switches are turned off. A cold water condenser will automatically condense all exhausted steam into water before it is released from the cooker and steam generator drain. Unit also includes, low water cut-off and also includes an access for Total Concept delimer/descaler. For ease of serviceability, generator controls are conveniently located on the right side of steamer enclosure.



ST-12-TGG Shown

COOKING CAPACITIES:

Each compartment will accommodate the following:

- (12) 12" x 20" x 1" deep pans
- (6) 12" x 20" x 2 1/2" deep pans
- (4) 12" x 20" x 4" deep pans

STANDARD FEATURES:

- Automatic blow down.
- Load Compensating Timers.
- Thermostatically controlled drain
- Single connection for drain plumbing
- Reversible Door capabilities.
- Redundant controls and generators for each compartment.
- All stainless steel construction for generators and cabinet.
- Steam Generator Interlock Switch.
- Left side access panel.
- Delimiting ports on front of each generator.
- Split water lines.
- Rear flanged feet.
- Electronic ignition.

OPERATION SHALL BE BY:

Two gas fired, stainless steel steam generators operating at 0 PSI and rated at 95,000 BTU's each.

The gas generators shall be equipped for operation on:

- Natural gas
- LP. gas

The controls shall be equipped for operation on:

- 115 VAC, 1 Phase, 50/60 Hz

OPTIONAL ITEMS AT EXTRA COST:

- 220 VAC, 1 Phase, 50/60 Hz.
- Water Filter System.
- Flanged Feet (Front Legs).
- Casters (2 w/brakes).

The manufacturer reserves the right to modify materials and specifications without notice.

Spec No. S-4637
02/04

FOOD SERVICE EQUIPMENT
12 Pan Convection Steamer



MARKET FORGE
INDUSTRIES INC.

An Employee Owned Company



35 Garvey Street • Everett • MA • 02149
 Tel: (617) 387-4100 • Fax: 1-800-227-2659 (Ex. MA) • (617) 387-4456 (MA and Overseas)
 E-Mail: CUSTSERV@mfii.com • Website: www.mfii.com

G	<h2 style="margin: 0;">12 PAN GAS CONVECTION STEAMER WITH TWIN GAS GENERATOR</h2>	<h3 style="margin: 0;">DETAILS & DIMENSION</h3>
---	---	---

WATER QUALITY STATEMENT FOR GENERATOR

Water quality is the major factor affecting the performance of your appliance. If you are unsure of water quality, consult a local water treatment specialist and have the water analyzed. Your water must be within these general guidelines:

Total Dissolved Solids	Less than 60 PPM
Total Alkalinity	Less than 20 PPM
Silica	Less than 13 PPM
Chlorine	Less than 1.5 PPM
pH Factor	7.0-8.5

Water which fails to meet these standards should be treated by installation of water conditioner. **FAILURE OR MALFUNCTION OF THIS APPLIANCE DUE TO POOR WATER QUALITY IS NOT COVERED UNDER WARRANTY.**

MODEL	FUEL	BTU	GAS SUPPLY
ST-12-TGG	Natural Gas Propane	190,000 190,000	Min. 6" (152mm)

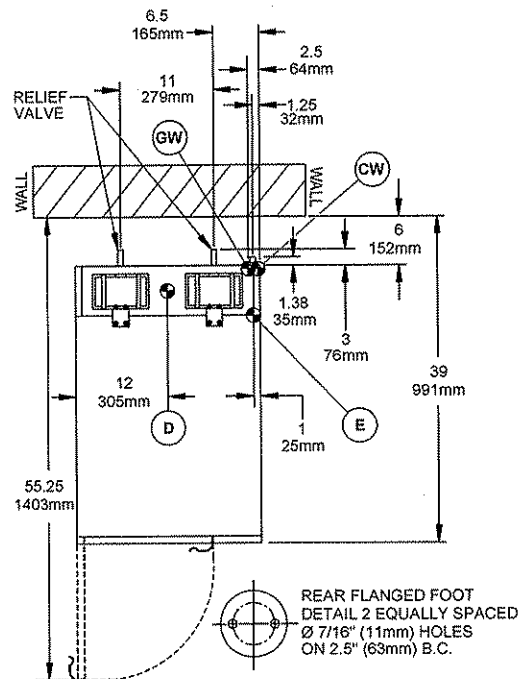
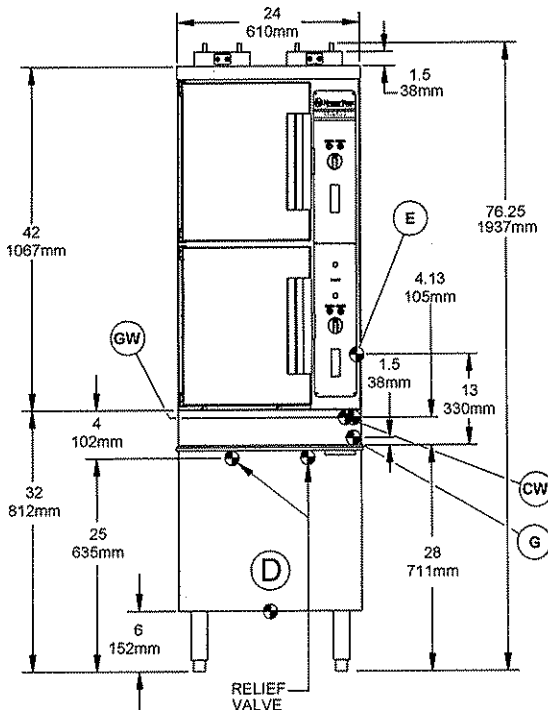
SERVICE CONNECTIONS

Gas Operated

E	Electrical Connection - to be 120 Volts, 60 Hz, 1 Ph with Ground. Unless otherwise specified, Furnished with 4 1/2" (114mm) cord with 3 pronged plug. Max Amps 4.0.
G	Gas Connection - 3/4" (19mm) IPS supply line required.
D	Drain - 2" (51mm) IPS piped to open floor drain. NO SOLID CONNECTION. Max 24" (610mm) length before open air gap. NO BENDS OR ELBOWS.
CW	Condensing Cold Water - 3/8" (9mm) O.D. tubing. Water Pressure 25 PSI Min., 50 PSI Max.
GW	Generator Water - 3/8" (9mm) O.D. tubing. Water Pressure 25 PSI Min., 50 PSI Max.

Spec No. S-4637
02/04

FOOD SERVICE EQUIPMENT
12 Pan Convection Steamer



*It is our policy to build equipment which is design certified by A.G.A., N.S.F., and C.G.A. However, a continuing program of product improvement makes it necessary to submit new models to the agencies as they are developed and consequently not all models bear the appropriate agency labels at all times.



MARKET FORGE

INDUSTRIES INC.

An Employee Owned Company



Printed in U.S.A.

35 Garvey Street • Everett • MA • 02149
Tel: (617) 387-4100 • Fax: 1-800-227-2659 (Ex. MA) • (617) 387-4456 (MA and Overseas)
E-Mail: CUSTSERV@mfi.com • Website: www.mfi.com

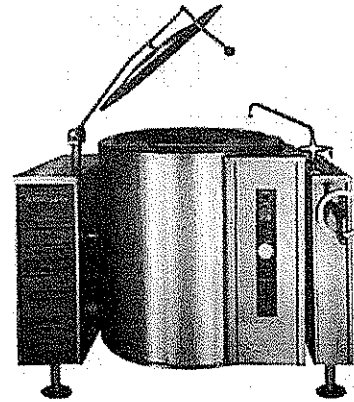
G	TILTING SELF CONTAINED GAS FIRED STEAM JACKETED KETTLE	JOB NAME: _____ ITEM NO.: _____ NO. REQUIRED: _____
----------	---	---

- MODEL:**
- FT-20GL
 - FT-30GL
 - FT-40GL
 - FT-60GL

- SIZE:**
- 20 Gallon (76 liters) capacity
 - 30 Gallon (114 liters) capacity
 - 40 Gallon (152 liters) capacity
 - 60 Gallon (227 liters) capacity

DESCRIPTION:

The kettle has double-wall construction of 300 series stainless steel forming a steam jacket around the lower 2/3 of the kettle. The jacket enclosure contains factory sealed water and antifreeze. The kettle exterior is fully insulated. The bottom of the kettle is a hemispherical design for superior heat circulation. The recessed control panel is located on the front right side of the unit in full view of the operator. Standard controls include direct immersion thermostat, water sight glass, cooking light, pressure gauge and electronic ignition with ignition indicator light. Safety features include low water cutoff with indicator light, pressure switch, pressure relief valve and a 100% safety gas shut off valve.



FT-40GL Shown with Optional Spring Assist Cover & Faucet

The kettle pivots on trunnions connected to the gear and control consoles. The worm and gear tilting mechanism allows the kettle to tilt forward to a full 90° for complete draining. The tilt mechanism is self locking for positive stop action. The consoles are drip proof, stainless steel clad and are supported on all welded 1 5/8" (41mm) diameter stainless steel legs with flanged feet.

OPERATION SHALL BE BY:

Natural or L.P. gas utilizing a high efficiency power burner system. The steam kettle is A.S.M.E. code stamped for operation to 50 PSI. Temperature range from 150° F to 285° F.

- The controls shall be equipped for operation on:
- 120 VAC, 1pH, 50/60 Hz.

The kettle construction is stainless steel throughout and built in accordance with the ASME code.

OPTIONAL AT EXTRA COST:

- Spring assist cover, HSC
- 2" tangent draw off, FDOR-2
- 3" tangent draw off, FDOR-3
- Tri-Basket assembly
- Single pantry faucet with swing spout, SP-12
- Double pantry faucet with swing spout, DP-12
- Graduated measuring strip, MS-1
- Perforated strainer
- Solid disk strainer DOS-2
- 316 stainless steel liner for high acid content products.

KETTLE SIZE	INPUT BTU/HR	COMBUSTION EFFICIENCY
20 Gallon (76 Liters)	80,000	78% Min.
30 Gallon (114 Liters)	100,000	78% Min.
40 Gallon (152 Liters)	100,000	75% Min.
60 Gallon (227 Liters)	120,000	75% Min.

The manufacturer reserves the right to modify materials and specifications without notice

Spec No. S-2426
02/04

FOOD SERVICE EQUIPMENT
Tilting Gas Kettle



MARKET FORGE
INDUSTRIES INC.

An Employee Owned Company



Printed in U.S.A.

35 Garvey Street • Everett • MA • 02149
 Tel: (617) 387-4100 • Fax: 1-800-227-2659 (Ex. MA) • (617) 387-4456 (MA and Overseas)
 E-Mail: CUSTSERV@mfi.com • Website: www.mfi.com

G

TILTING SELF CONTAINED GAS FIRED STEAM JACKETED KETTLE


DETAILS & DIMENSION

ELECTRICAL OPTIONS:

- 208 Volts, 60Hz, 1Ph or for use on 190 to 219 Volts supply unit. Total Max. Amps 1.0.
- 236 Volts, 60Hz, 1Ph or for use on 220 to 240 Volts supply unit. Total Max. Amps 1.0.
- 220 Volts, 50Hz, 1Ph or for use on 220 to 240 Volts supply unit. Total Max. Amps 1.0.

SERVICE CONNECTIONS

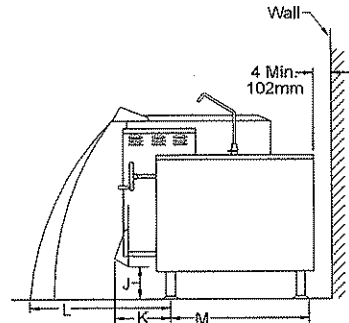
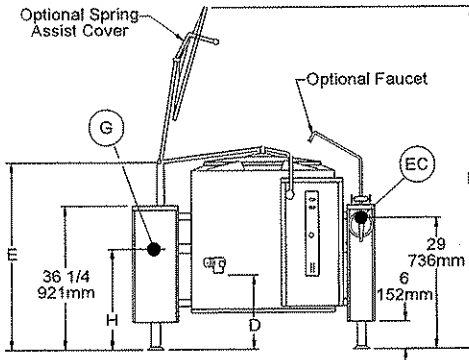
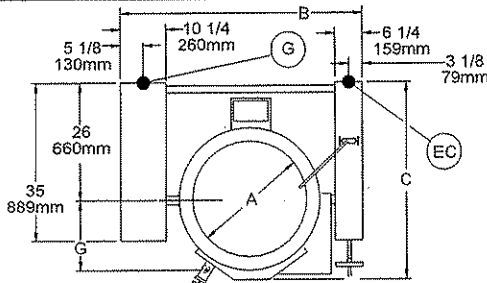
Gas Operated

EC  Electrical Connection - 115 Volt, 60Hz, 1Ph, furnished with 6 ft. cord with 3 pronged plug. Total Max. Amps 2.0.

G  Gas Connection - 3/4" (19mm) N.P.T.

NOTE: Allow 6" (152mm) Min. spacing on left and right sides and 2" (51mm) spacing from flue.

MODEL	CAPACITY		A	B	C	D	E	F	G	H	J	K	L	M
FT-20GL	20 Gallons 76 liters	inches mm	20 508	48.125 1222	40.375 1032	19 483	40.5 1020	76.5 1943	16.5 419	24 610	11 280	10 254	32 813	30.5 775
FT-30GL	30 Gallons 114 liters	inches mm	26 660	54.25 1378	43.375 1108	16.5 419	37.25 946	73.75 1874	15.5 394	22.25 565	7.5 190	11 280	34 864	29.5 749
FT-40GL	40 Gallons 152 liters	inches mm	26 660	54.25 1378	43.375 1108	16.5 419	41.5 1054	76 1930	15.5 394	22.25 565	7.5 190	12 305	35 889	30.5 775
FT-60GL	60 Gallons 227 liters	inches mm	30 762	58.125 1378	43.375 1108	17.875 454	45.5 1156	82 2083	19.5 496	22.25 565	5.5 140	15 381	38 965	30.375 772



*It is our policy to build equipment which is design certified by U.L., E.T.L., A.S.M.E., N.S.F. and C.S.A. However, a continuing program of product improvement makes it necessary to submit new models to the agencies as they are developed and consequently not all models bear the appropriate agency labels at all times.

Spec No. S-2426
02/04

FOOD SERVICE EQUIPMENT
Tilting Gas Kettle



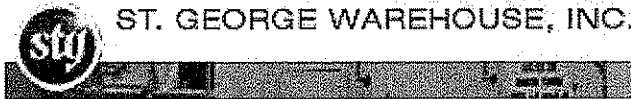
MARKET FORGE
INDUSTRIES INC.

An Employee Owned Company



Printed in U.S.A.

35 Garvey Street • Everett • MA • 02149
Tel: (617) 387-4100 • Fax: 1-800-227-2659 (Ex. MA) • (617) 387-4456 (MA and Overseas)
E-Mail: CUSTSERV@mfi.com • Website: www.mfii.com



ST GEORGE WAREHOUSE OF NJ
123 PENNSYLVANIA AVE.
SOUTH KEARNY, NJ 07032
Phone: 1-973-578-8400
Fax: 1-973-578-4844

Arrival Notice

Date Available: JUN 12, 2009

Release No: 209207-07

Master B/L: HJSCHKGA32192001

Container: HJCU6042449

House B/L No: 103702900891

Pieces: 25 CTN

Weight: 1391 lbs

Cube: 2.1 cbm

Storage Starts: JUN 20, 2009

Required For Pickup: 1 Pallets