



State of West Virginia  
 Department of Administration  
 Purchasing Division  
 2019 Washington Street East  
 Post Office Box 50130  
 Charleston, WV 25305-0130

# Request for Quotation

RFQ NUMBER
HST0741

PAGE
1

ADDRESS CORRESPONDENCE TO ATTENTION OF:
RON PRICE 304-558-0492

\*111140344 304-254-7827  
 HERITAGE EQUIPMENT INC  
 322 DRY HILL ROAD  
 BECKLEY WV 25801

HEALTH, SAFETY AND TRAINING  
 OFFICE OF MINERS'  
 1615 WASHINGTON STREET EAST  
 CHARLESTON, WV  
 25311

DATE PRINTED	TERMS OF SALE	SHIP VIA	F.O.B.	FREIGHT TERMS
01/30/2007	Net 30	Best way	Charleston	120-150 days
BID OPENING DATE: 02/14/2007		BID OPENING TIME 01:30PM		

LINE	QUANTITY	UOP	CAT NO	ITEM NUMBER	UNIT PRICE	AMOUNT
0001	2	EA		070-51	\$ 86,996. <sup>00</sup>	\$ 173,992. <sup>00</sup>
TRUCKS, GVW LESS THAN 26,000 LBS.  PER THE ATTACHED SPECIFICATIONS  THE MODEL/BRAND/SPECIFICATIONS NAMED HEREIN ESTABLISH THE ACCEPTABLE LEVEL OF QUALITY ONLY AND ARE NOT INTENDED TO REFLECT A PREFERENCE OR FAVOR ANY PARTICULAR BRAND OR VENDOR. VENDORS WHO ARE BIDDING ALTERNATES SHOULD SO STATE AND INCLUDE PERTINENT LITERATURE AND SPECIFICATIONS. FAILURE TO PROVIDE INFORMATION FOR ANY ALTERNATES MAY BE GROUNDS FOR REJECTION OF THE BID. THE STATE RESERVES THE RIGHT TO WAIVE MINOR IRREGULARITIES IN BIDS OR SPECIFICATION IN ACCORDANCE WITH SECTION 148-1-4(F) OF THE WEST VIRGINIA LEGISLATIVE RULES AND REGULATIONS.  VENDOR PREFERENCE CERTIFICATE  CERTIFICATION AND APPLICATION* IS HEREBY MADE FOR PREFERENCE IN ACCORDANCE WITH WEST VIRGINIA CODE, 5A-3-37 (DOES NOT APPLY TO CONSTRUCTION CONTRACTS).  A. APPLICATION IS MADE FOR 2.5% PREFERENCE FOR THE REASON CHECKED:  <input type="checkbox"/> BIDDER IS AN INDIVIDUAL RESIDENT VENDOR AND HAS RESIDED CONTINUOUSLY IN WEST VIRGINIA FOR FOUR (4) YEARS IMMEDIATELY PRECEDING THE DATE OF THIS CERTIFICATION; OR  <input checked="" type="checkbox"/> BIDDER IS A PARTNERSHIP, ASSOCIATION OR CORPORA-						

RECEIVED  
 2007 FEB 21 P 12:50  
 PURCHASING DIVISION  
 STATE OF WV

SEE REVERSE SIDE FOR TERMS AND CONDITIONS			
SIGNATURE <i>M. H. ...</i>	TELEPHONE 304-254-7827	DATE 2-21-2007	
TITLE Fleet Sales	FEIN 550759079	ADDRESS CHANGES TO BE NOTED ABOVE	

WHEN RESPONDING TO RFQ, INSERT NAME AND ADDRESS IN SPACE ABOVE LABELED 'VENDOR'



State of West Virginia  
 Department of Administration  
 Purchasing Division  
 2019 Washington Street East  
 Post Office Box 50130  
 Charleston, WV 25305-0130

# Request for Quotation

RFQ NUMBER:  
**HST0741**

PAGE:  
**2**

ADDRESS CORRESPONDENCE TO ATTENTION OF:  
**RON PRICE**  
**304-558-0492**

VENDOR

\*111140344 304-254-7827  
 HERITAGE EQUIPMENT INC  
 322 DRY HILL ROAD  
 BECKLEY WV 25801

SHIP TO

HEALTH, SAFETY AND TRAINING  
 OFFICE OF MINERS'  
 1615 WASHINGTON STREET EAST  
 CHARLESTON, WV  
 25311

DATE PRINTED	TERMS OF SALE	SHIP VIA	F.O.B.	FREIGHT TERMS
01/30/2007				

BID OPENING DATE: **02/14/2007** BID OPENING TIME **01:30PM**

LINE	QUANTITY	UOP	CAT NO	ITEM NUMBER	UNIT PRICE	AMOUNT
<p>TION RESIDENT VENDOR AND HAS MAINTAINED ITS HEAD-            QUARTERS OR PRINCIPAL PLACE OF BUSINESS CONTINUOUSLY IN            WEST VIRGINIA FOR FOUR (4) YEARS IMMEDIATELY PRECEDING            THE DATE OF THIS CERTIFICATION; OR 80% OF THE OWNERSHIP            INTEREST OF BIDDER IS HELD BY ANOTHER INDIVIDUAL,            PARTNERSHIP, ASSOCIATION OR CORPORATION RESIDENT VENDO            WHO HAS MAINTAINED ITS HEADQUARTERS OR PRINCIPAL PLACE            OF BUSINESS CONTINUOUSLY IN WEST VIRGINIA FOR FOUR (4)            YEARS IMMEDIATELY PRECEDING THE DATE OF THIS            CERTIFICATION; OR</p> <p>( ) BIDDER IS A CORPORATION NONRESIDENT VENDOR            WHICH HAS AN AFFILIATE OR SUBSIDIARY WHICH EMPLOYS            A MINIMUM OF ONE HUNDRED STATE RESIDENTS AND WHICH            HAS MAINTAINED ITS HEADQUARTERS OR PRINCIPAL PLACE OF            BUSINESS WITHIN WEST VIRGINIA CONTINUOUSLY FOR THE            FOUR (4) YEARS IMMEDIATELY PRECEDING THE DATE OF THIS            CERTIFICATION.</p> <p>B. APPLICATION IS MADE FOR 2.5% PREFERENCE FOR THE            REASON CHECKED:</p> <p>( <input checked="" type="checkbox"/> ) BIDDER IS A RESIDENT VENDOR WHO CERTIFIES THAT,            DURING THE LIFE OF THE CONTRACT, ON AVERAGE AT LEAST            75% OF THE EMPLOYEES WORKING ON THE PROJECT BEING BID            ARE RESIDENTS OF WEST VIRGINIA WHO HAVE RESIDED IN            THE STATE CONTINUOUSLY FOR THE TWO YEARS IMMEDIATELY            PRECEDING SUBMISSION OF THIS BID;            OR</p> <p>( ) BIDDER IS A NONRESIDENT VENDOR EMPLOYING A            MINIMUM OF ONE HUNDRED STATE RESIDENTS OR IS A            NONRESIDENT VENDOR WITH AN AFFILIATE OR SUBSIDIARY            WHICH MAINTAINS ITS HEADQUARTERS OR PRINCIPAL PLACE            OF BUSINESS WITHIN WEST VIRGINIA EMPLOYING A MINIMUM            OF ONE HUNDRED STATE RESIDENTS WHO CERTIFIES THAT,            DURING THE LIFE OF THE CONTRACT, ON AVERAGE AT LEAST</p>						

SEE REVERSE SIDE FOR TERMS AND CONDITIONS

SIGNATURE	TELEPHONE	DATE
TITLE	FEIN	ADDRESS CHANGES TO BE NOTED ABOVE

WHEN RESPONDING TO RFQ, INSERT NAME AND ADDRESS IN SPACE ABOVE LABELED 'VENDOR'



State of West Virginia  
 Department of Administration  
 Purchasing Division  
 2019 Washington Street East  
 Post Office Box 50130  
 Charleston, WV 25305-0130

# Request for Quotation

RFQ NUMBER
HST0741

PAGE
3

ADDRESS CORRESPONDENCE TO ATTENTION OF:
RON PRICE 304-558-0492

VENDOR

\*111140344 304-254-7827  
 HERITAGE EQUIPMENT INC  
 322 DRY HILL ROAD  
 BECKLEY WV 25801

SHIP TO

HEALTH, SAFETY AND TRAINING  
 OFFICE OF MINERS'  
 1615 WASHINGTON STREET EAST  
 CHARLESTON, WV  
 25311

DATE PRINTED	TERMS OF SALE	SHIP VIA	F.O.B.	FREIGHT TERMS
01/30/2007				

BID OPENING DATE: 02/14/2007 BID OPENING TIME 01:30PM

LINE	QUANTITY	UOP	CAT NO	ITEM NUMBER	UNIT PRICE	AMOUNT
<p>75% OF THE EMPLOYEES OR BIDDERS' AFFILIATE'S OR SUBSIDIARY'S EMPLOYEES ARE RESIDENTS OF WEST VIRGINIA WHO HAVE RESIDED IN THE STATE CONTINUOUSLY FOR THE TWO YEARS IMMEDIATELY PRECEDING SUBMISSION OF THIS BID.</p> <p>BIDDER UNDERSTANDS IF THE SECRETARY OF TAX &amp; REVENUE DETERMINES THAT A BIDDER RECEIVING PREFERENCE HAS FAILED TO CONTINUE TO MEET THE REQUIREMENTS FOR SUCH PREFERENCE, THE SECRETARY MAY ORDER THE DIRECTOR OF PURCHASING TO: (A) RESCIND THE CONTRACT OR PURCHASE ORDER ISSUED; OR (B) ASSESS A PENALTY AGAINST SUCH BIDDER IN AN AMOUNT NOT TO EXCEED 5% OF THE BID AMOUNT AND THAT SUCH PENALTY WILL BE PAID TO THE CONTRACTING AGENCY OR DEDUCTED FROM ANY UNPAID BALANCE ON THE CONTRACT OR PURCHASE ORDER.</p> <p>BY SUBMISSION OF THIS CERTIFICATE, BIDDER AGREES TO DISCLOSE ANY REASONABLY REQUESTED INFORMATION TO THE PURCHASING DIVISION AND AUTHORIZES THE DEPARTMENT OF TAX AND REVENUE TO DISCLOSE TO THE DIRECTOR OF PURCHASING APPROPRIATE INFORMATION VERIFYING THAT BIDDER HAS PAID THE REQUIRED BUSINESS TAXES, PROVIDED THAT SUCH INFORMATION DOES NOT CONTAIN THE AMOUNTS OF TAXES PAID NOR ANY OTHER INFORMATION DEEMED BY THE TAX COMMISSIONER TO BE CONFIDENTIAL.</p> <p>UNDER PENALTY OF LAW FOR FALSE SWEARING (WEST VIRGINIA CODE 61-5-3), BIDDER HEREBY CERTIFIES THAT THIS CERTIFICATE IS TRUE AND ACCURATE IN ALL RESPECTS; AND THAT IF A CONTRACT IS ISSUED TO BIDDER AND IF ANYTHING CONTAINED WITHIN THIS CERTIFICATE CHANGES DURING THE TERM OF THE CONTRACT, BIDDER WILL NOTIFY THE PURCHASING DIVISION IN WRITING IMMEDIATELY.</p> <p>BIDDER: <u>Heritage Equipment Inc.</u></p>						

SEE REVERSE SIDE FOR TERMS AND CONDITIONS

SIGNATURE	TELEPHONE	DATE
TITLE	FEIN	ADDRESS CHANGES TO BE NOTED ABOVE

WHEN RESPONDING TO RFQ, INSERT NAME AND ADDRESS IN SPACE ABOVE LABELED 'VENDOR'



State of West Virginia  
 Department of Administration  
 Purchasing Division  
 2019 Washington Street East  
 Post Office Box 50130  
 Charleston, WV 25305-0130

# Request for Quotation

RFQ NUMBER  
**HST0741**

PAGE  
**4**

ADDRESS CORRESPONDENCE TO ATTENTION OF:  
**RON PRICE**  
**304-558-0492**

VENDOR

\*111140344 304-254-7827  
**HERITAGE EQUIPMENT INC**  
**322 DRY HILL ROAD**  
  
**BECKLEY WV 25801**

SHIP TO

**HEALTH, SAFETY AND TRAINING**  
**OFFICE OF MINERS'**  
**1615 WASHINGTON STREET EAST**  
  
**CHARLESTON, WV**  
**25311**

DATE PRINTED <b>01/30/2007</b>	TERMS OF SALE	SHIP VIA	F.O.B.	FREIGHT TERMS
-----------------------------------	---------------	----------	--------	---------------

BID OPENING DATE: **02/14/2007** BID OPENING TIME **01:30PM**

LINE	QUANTITY	UOP	CAT NO	ITEM NUMBER	UNIT PRICE	AMOUNT
<p>DATE: <u>2-21-2007</u></p> <p>SIGNED: <u><i>Mike Colman</i></u></p> <p>TITLE: <u>Fleet Sales</u></p> <p>* CHECK ANY COMBINATION OF PREFERENCE CONSIDERATION(S) IN EITHER "A" OR "B", OR BOTH "A" AND "B" WHICH YOU ARE ENTITLED TO RECEIVE. YOU MAY REQUEST UP TO THE MAXIMUM 5% PREFERENCE FOR BOTH "A" AND "B". (REV. 12/00)</p> <p>NOTICE</p> <p>A SIGNED BID MUST BE SUBMITTED TO:</p> <p>DEPARTMENT OF ADMINISTRATION          PURCHASING DIVISION          BUILDING 15          2019 WASHINGTON STREET, EAST          CHARLESTON, WV 25305-0130</p> <p>THE BID SHOULD CONTAIN THIS INFORMATION ON THE FACE OF THE ENVELOPE OR THE BID MAY NOT BE CONSIDERED:</p> <p>SEALED BID</p> <p>BUYER: 41</p>						

SEE REVERSE SIDE FOR TERMS AND CONDITIONS

SIGNATURE	TELEPHONE	DATE
-----------	-----------	------

TITLE	FEIN	ADDRESS CHANGES TO BE NOTED ABOVE
-------	------	-----------------------------------

WHEN RESPONDING TO RFQ, INSERT NAME AND ADDRESS IN SPACE ABOVE LABELED 'VENDOR'



State of West Virginia  
 Department of Administration  
 Purchasing Division  
 2019 Washington Street East  
 Post Office Box 50130  
 Charleston, WV 25305-0130

# Request for Quotation

RFQ NUMBER
HST0741

PAGE
5

ADDRESS CORRESPONDENCE TO ATTENTION OF:
RON PRICE 304-558-0492

VENDOR	*111140344	304-254-7827
	HERITAGE EQUIPMENT INC	
	322 DRY HILL ROAD	
	BECKLEY WV 25801	

SHIP TO	HEALTH, SAFETY AND TRAINING OFFICE OF MINERS'
	1615 WASHINGTON STREET EAST
	CHARLESTON, WV
	25311

DATE PRINTED	TERMS OF SALE	SHIP VIA	F.O.B.	FREIGHT TERMS
01/30/2007				

BID OPENING DATE: 02/14/2007      BID OPENING TIME 01:30PM

LINE	QUANTITY	UOP	CAT NO	ITEM NUMBER	UNIT PRICE	AMOUNT
RFQ. NO.: HST0741						
BID OPENING DATE: 2/14/07						
BID OPENING TIME: 1:30 PM						
PLEASE PROVIDE A FAX NUMBER IN CASE IT IS NECESSARY TO CONTACT YOU REGARDING YOUR BID: ----- 304.254.7827						
CONTACT PERSON (PLEASE PRINT CLEARLY): ----- Mike Coburn						
***** THIS IS THE END OF RFQ HST0741 ***** TOTAL: _____						

SEE REVERSE SIDE FOR TERMS AND CONDITIONS			
SIGNATURE	TELEPHONE	DATE	
TITLE	FEIN	ADDRESS CHANGES TO BE NOTED ABOVE	

WHEN RESPONDING TO RFQ, INSERT NAME AND ADDRESS IN SPACE ABOVE LABELED 'VENDOR'

# A F F I D A V I T

**West Virginia Code §5A-3-10a states:**

No contract or renewal of any contract may be awarded by the state or any of its political subdivisions to any vendor or prospective vendor when the vendor or prospective vendor or a related party to the vendor or prospective vendor is a debtor and the debt owned is an amount greater than one thousand dollars in the aggregate

**DEFINITIONS:**

"Debt" means any assessment, premium, penalty, fine, tax or other amount of money owed to the state or any of its political subdivisions because of a judgment, fine, permit violation, license assessment, defaulted workers' compensation premium, penalty or other assessment presently delinquent or due and required to be paid to the state or any of its political subdivisions, including any interest or additional penalties accrued thereon

"Debtor" means any individual, corporation, partnership, association, limited liability company or any other form or business association owing a debt to the state or any of its political subdivisions "Political subdivision" means any county commission; municipality; county board of education; any instrumentality established by a county or municipality; any separate corporation or instrumentality established by one or more counties or municipalities, as permitted by law; or any public body charged by law with the performance of a government function or whose jurisdiction is coextensive with one or more counties or municipalities. "Related party" means a party, whether an individual, corporation, partnership, association, limited liability company or any other form or business association or other entity whatsoever, related to any vendor by blood, marriage, ownership or contract through which the party has a relationship of ownership or other interest with the vendor so that the party will actually or by effect receive or control a portion of the benefit, profit or other consideration from performance of a vendor contract with the party receiving an amount that meets or exceed five percent of the total contract amount.

**EXCEPTION:**

The prohibition of this section does not apply where a vendor has contested any tax administered pursuant to chapter eleven of this code, workers' compensation premium, permit fee or environmental fee or assessment and the matter has not become final or where the vendor has entered into a payment plan or agreement and the vendor is not in default of any of the provisions of such plan or agreement

**LICENSING:**

Vendors must be licensed and in good standing in accordance with any and all state and local laws and requirements by any state or local agency of West Virginia, including, but not limited to, the West Virginia Secretary of State's Office, the West Virginia Tax Department, West Virginia Insurance Commission, or any other state agencies or political subdivision. Furthermore, the vendor must provide all necessary releases to obtain information to enable the Director or spending unit to verify that the vendor is licensed and in good standing with the above entities

**CONFIDENTIALITY:**

The vendor agrees that he or she will not disclose to anyone, directly or indirectly, any such personally identifiable information or other confidential information gained from the agency, unless the individual who is the subject of the information consents to the disclosure in writing or the disclosure is made pursuant to the agency's policies, procedures and rules. Vendors should visit [www.state.wv.us/admin/purchase/privacy](http://www.state.wv.us/admin/purchase/privacy) for the Notice of Agency Confidentiality Policies

Under penalty of law for false swearing (West Virginia Code, §61-5-3), it is hereby certified that the vendor acknowledges the information in this said affidavit and are in compliance with the requirements as stated

Vendor's Name: Heritage Equipment

Authorized Signature:  Date: 2-21-2007



State of West Virginia  
 Department of Administration  
 Purchasing Division  
 2019 Washington Street East  
 Post Office Box 50130  
 Charleston, WV 25305-0130

# Request for Quotation

RFQ NUMBER  
**HST0741**

PAGE  
**1**

ADDRESS CORRESPONDENCE TO ATTENTION OF  
**RON PRICE**  
**304-558-0492**

RFQ COPY  
 TYPE NAME/ADDRESS HERE

V  
E  
N  
D  
O  
R

S  
H  
I  
P  
T  
O

HEALTH, SAFETY AND TRAINING  
 OFFICE OF MINERS'  
 1615 WASHINGTON STREET EAST  
  
 CHARLESTON, WV  
 25311

DATE PRINTED <b>02/11/2007</b>	TERMS OF SALE	SHIP VIA	F.O.B.	FREIGHT TERMS
-----------------------------------	---------------	----------	--------	---------------

BID OPENING DATE: **02/21/2007** BID OPENING TIME **01:30PM**

LINE	QUANTITY	UOP	CAT NO.	ITEM NUMBER	UNIT PRICE	AMOUNT
				ADDENDUM NO. 1		
				CHANGE THE BID OPENING DATE FROM 2/14/07 TO 2/21/07		
				CHANGE THE SIZE OF THE STORAGE BOXES FROM 24 X 24 X 48 TO 24 X 24 X 60.		
0001	2	EA		070-51	✓	✓
				TRUCKS, GVW LESS THAN 26,000 LBS.		
***** THIS IS THE END OF RFQ HST0741 ***** TOTAL:						\$ <u>173,982.<sup>00</sup></u>

SEE REVERSE SIDE FOR TERMS AND CONDITIONS

SIGNATURE *Mike Horn* TELEPHONE DATE

TITLE FEIN ADDRESS CHANGES TO BE NOTED ABOVE

WHEN RESPONDING TO RFQ, INSERT NAME AND ADDRESS IN SPACE ABOVE LABELED 'VENDOR'

**SPECIFICATIONS**

\* Only Exceptions

**TRUCK AND BODY TO SERVE AS A MOBILE MINE RESCUE STATION.**

Desired truck is a 7500 GMC, Freightliner MD 80, International 4300 series or equivalent, with a 24-foot box body with a three-foot over the cab extension.

Bids must apply to purchase of more than one truck. (One or two trucks may be purchased at this time.)

The truck must have:

A GVW of less than 26000 lbs.

\* A height to the top of the frame rails of not more than 36 inches. \* 38.49"

Tire size 245/75 R22.5, mud and snow on rear, straight tread on front.

Dual saddle fuel tanks of at least 45 gallons each.

A diesel engine rated at a minimum of 275-horse power with at least 700 lbs of torque.

An automatic transmission with dash mounted selector switch.

Air brakes with dash mounted park brake.

Dual bucket seats in cab.

Heater, defroster, air conditioner, rubber floor mat and FM radio in cab.

Mirrors to be single post design with flat and convex mirrors in same frame.

All standard gauges, controls, switches and indicators as usually found in such vehicles.

Vehicle must meet all accepted standards for the motor truck industry for frame size and length to accept and properly mount the 24-foot box body.

Vehicle must meet all state and federal laws and requirements for lighting, signaling and air brakes and meet all inspection requirements.

Body to be 24 feet long from back of cab to rear end, and have a 3-foot extension over the cab.

Body to be steel or aluminum skin attached to steel framing members with plastic or fiberglass reinforced plywood lining on the inside of the body.

\* Floor to be one and one half inch thick wood planks bolted to a steel frame. 1 3/8" thick

Roof to be one piece stainless steel or aluminum with steel cross members.

Roof to be reinforced to support a center mounted heater/air conditioner and to have 12-inch square opening and wiring for same.

Body floor, walls and roof to be insulated to the fullest extent possible with Styrofoam or equivalent insulation. Bidder must state type and thickness of insulation for floor, walls and roof.

Body to have one sliding, 36 inch man door with a recessed step well to the floor of the body. This door to be on the passenger or curb side of the body 48 inches from the front of the body. Second door to be in the rear center of the body, 36 inches wide. Both doors to be lockable and keyed the same, and must be operable from inside or outside of the body.

Interior height of the body to be seven feet.

Body will be mounted as close to frame (as low) as practical.



Body will have 4 aluminum underbody storage boxes installed in dual 3-inch channel iron mounts welded to the body frame. Three boxes will be 24X24X48 and will have dual swing out doors latched in the center. The right front box to be 24X24X24. Boxes to be "Highway Products" brand or equal. All four boxes to be lockable and keyed alike.

Body to have a steel frame welded to the underside to support a 7500-watt diesel generator. Frame to be enclosed to cover generator but still allow access for maintenance. Bidder will furnish and install a 7500 watt diesel generator. (Onan "quiet diesel" or equal) Generator to use fuel from truck fuel system and start from the truck battery system.

Rear of body to have steel diamond plate step bumper and frame for steps to rear door. Bidder will supply a set of steps, with hand rail, to allow access to the rear door. These steps will fold or slide into the frame for transport while the truck is in motion. DOT bar to be part of rear frame or bumper.

Bidders must clearly state items in the bid requirements they are not in compliance with or wish to take exception to. Bidders must state delivery dates. Bidders should state any options they offer or think would better serve the purpose of this vehicle.

Prepared for:  
Ron Price  
WV State Health, Safety, &  
Training office of Mine  
1615 Washington Street E  
Charleston, WV 25311  
Phone: 304-558-0492

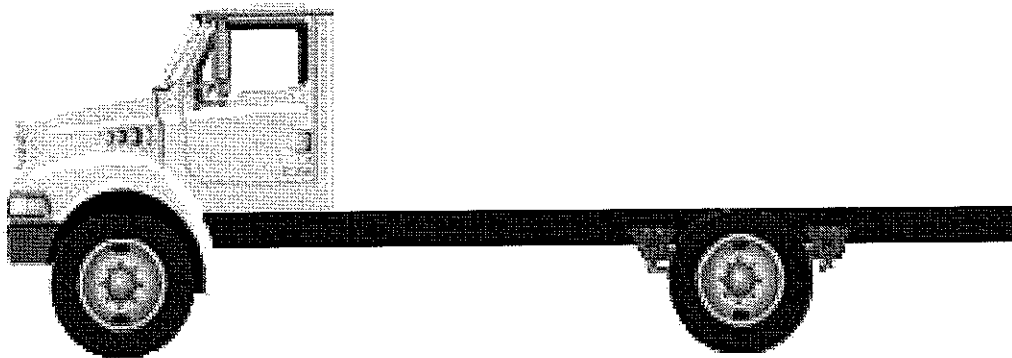
Prepared by:  
Mike Coburn  
HERITAGE EQUIPMENT, INC  
322 DRY HILL RD  
BECKLEY, WV 25801  
Phone: 304-254-7827

*A proposal for*  
**WV State Health, Safety, & Training office of Mine**

*Prepared by*  
**HERITAGE EQUIPMENT, INC.**  
*Mike Coburn*

*February 21, 2007*

**2008 STERLING ACTERRA - CHASSIS**



Prepared for:  
 Ron Price  
 WV State Health, Safety, & Training  
 office of Mine  
 1615 Washington Street E  
 Charleston, WV 25311  
 Phone: 304-558-0492

Prepared by:  
 Mike Coburn  
 HERITAGE EQUIPMENT, INC  
 322 DRY HILL RD.  
 BECKLEY, WV 25801  
 Phone: 304-254-7827

## S P E C I F I C A T I O N   P R O P O S A L

Data Code	Description	Weight Front	Weight Rear	Retail Price
<b>Price Level</b>				
PRL-32G	ACTERRA PRL-32G (EFF:08/15/06)			N/C
<b>Data Version</b>				
DRL-008	SPECPRO21 DATA RELEASE VER 008			N/C
<b>Vehicle Configuration</b>				
001-660	STERLING ACTERRA - CHASSIS	5,320	2,980	\$77,078 00
004-208	2008 MODEL YEAR SPECIFIED			N/C
002-004	SET BACK AXLE - TRUCK			STD
019-002	STRAIGHT TRUCK PROVISION			STD
003-001	LH PRIMARY STEERING LOCATION			STD
<b>General Service</b>				
AA1-002	TRUCK CONFIGURATION			STD
AA6-001	DOMICILED, USA 50 STATES (WITH CALIFORNIA)			STD
A85-002	PICKUP AND DELIVERY/SHORT HAUL SERVICE			STD
A84-1GM	GOVERNMENT BUSINESS SEGMENT			N/C
AA4-011	FIXED LOAD COMMODITY			N/C
AA5-002	TERRAIN/DUTY: 100% (ALL) OF THE TIME, IN TRANSIT, IS SPENT ON PAVED ROADS			STD
AB1-008	MAXIMUM 8% EXPECTED GRADE			STD
AB5-001	SMOOTH CONCRETE OR ASPHALT PAVEMENT - MOST SEVERE IN-TRANSIT (BETWEEN SITES) ROAD SURFACE			STD
995-093	ACTERRA BASIC VEHICLE WARRANTY			STD
A66-99D	EXPECTED FRONT AXLE(S) LOAD : 7000.0 lbs			
A68-99D	EXPECTED REAR DRIVE AXLE(S) LOAD : 12000 0 lbs			
A63-99D	EXPECTED GROSS VEHICLE WGT CAPACITY : 19000.0 lbs			
<b>Truck Service</b>				
AA3-001	DRY VAN BODY			STD
AF7-99D	EXPECTED BODY/PAYLOAD CG HEIGHT ABOVE FRAME "XX" INCHES : 32.0			
<b>Engine</b>				



Prepared for:  
 Ron Price  
 WV State Health, Safety, & Training  
 office of Mine  
 1615 Washington Street E  
 Charleston, WV 25311  
 Phone: 304-558-0492

Prepared by:  
 Mike Coburn  
 HERITAGE EQUIPMENT, INC.  
 322 DRY HILL RD.  
 BECKLEY, WV 25801  
 Phone: 304-254-7827

Data Code	Description	Weight Front	Weight Rear	Retail Price
101-2HB	MBE900-280 7 2L 280 HP @ 2200 RPM, 2500 GOV, 800 LB/FT @ 1200 RPM	60		\$4,894 00
<b>Engine Equipment</b>				
99C-009	2007 EPA/CARB EMISSION CERTIFICATION			STD
105-001	ENGINE MOUNTED OIL CHECK AND FILL			STD
014-093	SIDE OF HOOD AIR INTAKE WITH RAIL MOUNTED DONALDSON AIR CLEANER			STD
124-1DK	DR 12V 160 AMP 24-SI QUADRAMOUNT PAD ALTERNATOR			STD
292-1D8	(2) ALLIANCE MODEL 1131, GROUP 31, 12 VOLT MAINTENANCE FREE 1850 CCA THREADED STUD BATTERIES	10		STD
290-017	BATTERY BOX FRAME MOUNTED			STD
282-003	SINGLE BATTERY BOX FRAME MOUNTED LH SIDE BACK OF CAB			STD
291-001	FRAME GROUND RETURN FOR BATTERY CABLES			STD
107-005	WABCO 15.5 CFM AIR COMPRESSOR			N/C
131-002	TEFLON COMPRESSOR DISCHARGE LINE			N/C
152-041	ELECTRONIC ENGINE INTEGRAL SHUTDOWN PROTECTION SYSTEM			STD
016-1BH	RH INBOARD FRAME MOUNTED HORIZONTAL AFTERTREATMENT DEVICE WITH RH HORIZONTAL TAILPIPE			STD
28F-002	ENGINE AFTERTREATMENT DEVICE, AUTOMATIC OVER THE ROAD REGENERATION AND DASH MOUNTED REGENERATION REQUEST SWITCH			STD
239-001	STANDARD EXHAUST SYSTEM LENGTH			STD
237-052	RH STANDARD HORIZONTAL TAILPIPE			N/C
273-035	HORTON HT650 FRONTAL AIR ON/OFF ENGINE FAN CLUTCH			\$322 00
276-001	AUTOMATIC FAN CONTROL WITHOUT DASH SWITCH			N/C
110-040	MBE FUEL FILTER			STD
118-001	FULL FLOW OIL FILTER			STD
266-013	1100 SQUARE INCH ALUMINUM RADIATOR			STD
103-036	ANTIFREEZE TO -34F, ETHYLENE GLYCOL PRE-CHARGED SCA HEAVY DUTY COOLANT			STD
171-007	GATES BLUE STRIPE COOLANT HOSES			STD
172-001	CONSTANT TENSION HOSE CLAMPS FOR COOLANT HOSES			STD
155-058	DELCO 12V 38MT HD STARTER WITH INTEGRATED MAGNETIC SWITCH	10		STD

**Transmission**



Prepared for:  
 Ron Price  
 WV State Health, Safety, & Training  
 office of Mine  
 1615 Washington Street E  
 Charleston, WV 25311  
 Phone: 304-558-0492

Prepared by:  
 Mike Coburn  
 HERITAGE EQUIPMENT, INC.  
 322 DRY HILL RD.  
 BECKLEY, WV 25801  
 Phone: 304-254-7827

Data Code	Description	Weight Front	Weight Rear	Retail Price
342-580	ALLISON 3000 HS AUTOMATIC TRANSMISSION, NO PTO PROVISION	170	50	\$6,140 00
<b>Transmission Equipment</b>				
343-144	WTEC CALIBRATION - 6 SPEED HS (PACKAGE 200)			N/C
34C-998	NO AUX/ACC TRANSMISSION WIRING			STD
362-998	NO MAIN TRANSMISSION MOUNTED PTO			STD
363-998	NO PTO MOUNTING LOCATION SPECIFIED			STD
341-018	MAGNETIC PLUGS, ENGINE DRAIN, TRANSMISSION DRAIN, AXLE(S) FILL AND DRAIN			STD
345-003	PUSH BUTTON, ELECTRONIC SHIFT CONTROL, DASH MOUNTED			N/C
370-015	WATER TO OIL TRANSMISSION COOLER - IN RADIATOR END TANK			STD
346-003	TRANSMISSION OIL CHECK AND FILL WITH ELECTRONIC OIL LEVEL CHECK			N/C
<b>Front Axle and Equipment</b>				
400-1EW	AF-8.0-3 8,000# FF1 71 5 KPI/3 74 DROP SINGLE FRONT AXLE	50		\$265 00
402-021	MERITOR 15X5 Q+ CAST SPIDER CAM FRONT BRAKES, DOUBLE ANCHOR, FABRICATED SHOES	20		\$116 00
403-002	NON-ASBESTOS FRONT BRAKE LINING			STD
419-023	CONMET CAST IRON FRONT BRAKE DRUMS			N/C
409-006	FRONT OIL SEALS			STD
408-001	VENTED FRONT HUB CAPS - OIL			STD
405-002	MERITOR AUTOMATIC FRONT SLACK ADJUSTERS			N/C
536-050	TRW THP-60 POWER STEERING	10		N/C
539-003	POWER STEERING PUMP			STD
534-015	2 QUART SEE THROUGH POWER STEERING RESERVOIR			STD
<b>Front Suspension</b>				
620-032	8,000# TAPERLEAF FRONT SUSPENSION			STD
619-005	MAINTENANCE FREE RUBBER BUSHINGS - FRONT SUSPENSION			STD
410-001	FRONT SHOCK ABSORBERS			STD
<b>Rear Axle and Equipment</b>				
420-1GH	ARS-17 5-4 17,500# R-SERIES SINGLE REAR AXLE		170	\$328 00
421-522	5 22 REAR AXLE RATIO			N/C
424-001	IRON REAR AXLE CARRIER WITH STANDARD AXLE HOUSING			STD
386-013	17T MERITOR MAIN DRIVELINE WITH HALF ROUND YOKES	85	85	\$278 00

Prepared for:  
 Ron Price  
 WV State Health, Safety, & Training  
 office of Mine  
 1615 Washington Street E  
 Charleston, WV 25311  
 Phone: 304-558-0492

Prepared by:  
 Mike Coburn  
 HERITAGE EQUIPMENT, INC  
 322 DRY HILL RD.  
 BECKLEY, WV 25801  
 Phone: 304-254-7827

Data Code	Description	Weight Front	Weight Rear	Retail Price
595-007	PETROLEUM BASED LUBE ENGINE/TRANSMISSION/AXLE			STD
423-032	MERITOR 16.5X7 Q+ STAMPED SPIDER CAM REAR BRAKES, DOUBLE ANCHOR, FABRICATED SHOES		-10	(\$157 00)
433-002	NON-ASBESTOS REAR BRAKE LINING			STD
434-011	BRAKE CAMS AND CHAMBERS ON FORWARD SIDE OF DRIVE AXLE(S)			N/C
451-023	CONMET CAST IRON REAR BRAKE DRUMS			N/C
440-001	CHICAGO RAWHIDE SCOTSEAL CLASSIC REAR OIL SEALS			STD
426-074	HALDEX LONG STROKE 1-DRIVE AXLE SPRING PARKING CHAMBERS			N/C
428-002	MERITOR AUTOMATIC REAR SLACK ADJUSTERS			N/C
<b>Rear Suspension</b>				
622-1MD	18,000# 52" VARIABLE RATE MULTI-LEAF SPRING REAR SUSPENSION		70	\$62 00
621-001	SPRING SUSPENSION - NO AXLE SPACERS			STD
431-001	STANDARD U-BOLT PAD			STD
<b>Brake System</b>				
018-002	AIR BRAKE PACKAGE	110	180	\$1,467 00
490-100	WABCO 4S/4M ABS WITHOUT TRACTION CONTROL ENHANCEMENT			N/C
871-001	REINFORCED NYLON, FABRIC BRAID AND WIRE BRAID CHASSIS AIR LINES			N/C
412-001	STANDARD BRAKE SYSTEM VALVES			N/C
432-003	RELAY VALVE WITH 5-8 PSI CRACK PRESSURE, NO REAR PROPORTIONING VALVE			N/C
460-001	STEEL AIR BRAKE RESERVOIRS			N/C
477-001	PULL CABLE ON WET TANK, PETCOCK DRAIN VALVES ON ALL OTHER AIR TANKS			N/C
<b>Wheelbase &amp; Frame</b>				
545-645	6450MM (254") WHEELBASE			N/C
546-021	5/16" X 3" X 10-1/8" STEEL FRAME (7 94MM X 257 2MM/ 312" X 10 13") 50KSI	450	40	\$819 00
552-009	3050MM (120") REAR FRAME OVERHANG			N/C
55W-011	FRAME OVERHANG RANGE: 111" TO 120"	-90	250	N/C
553-001	SQUARE END OF FRAME			STD
559-001	STANDARD WEIGHT ENGINE CROSSMEMBER			STD
562-001	STANDARD MIDSHIP #1 CROSSMEMBER(S)			STD
572-001	STANDARD REARMOST CROSSMEMBER			STD
565-001	STANDARD SUSPENSION CROSSMEMBER			STD



Prepared for:  
 Ron Price  
 WV State Health, Safety, & Training  
 office of Mine  
 1615 Washington Street E  
 Charleston, WV 25311  
 Phone: 304-558-0492

Prepared by:  
 Mike Coburn  
 HERITAGE EQUIPMENT, INC.  
 322 DRY HILL RD.  
 BECKLEY, WV 25801  
 Phone: 304-254-7827

Data Code	Description	Weight Front	Weight Rear	Retail Price
<b>Chassis Equipment</b>				
556-095	12" PAINTED STEEL BUMPER - THREE PIECE WITH COLLAPSIBLE ENDS			STD
574-003	SINGLE LICENSE PLATE BRACKET BELOW BUMPER			STD
551-007	GRADE 8 THREADED HEX-HEADED FRAME FASTENERS			STD
<b>Fuel Tanks</b>				
206-192	50 GALLON/189 LITER RECTANGULAR ALUMINUM FUEL TANK - RH	20		\$116 00
204-192	50 GALLON/189 LITER RECTANGULAR ALUMINUM FUEL TANK - LH	70	30	\$619 00
218-005	RECTANGULAR FUEL TANK(S)			STD
215-005	PLAIN ALUMINUM/PAINTED STEEL FUEL/HYDRAULIC TANK(S) WITH PAINTED BANDS			STD
212-007	FUEL TANK(S) FORWARD			STD
205-001	FUEL TANK CAP(S)			STD
216-020	EQUIFLO INBOARD FUEL SYSTEM			STD
202-003	REINFORCED NYLON FUEL HOSE			STD
<b>Tires</b>				
514-091	245/75R22 5 14 PLY RADIAL FRONT TIRES			N/C
093-621	BRIDGESTONE R250F 245/75R22 5 14 PLY RADIAL FRONT TIRES	-40		\$428 00
516-091	245/75R22 5 14 PLY RADIAL REAR TIRES			N/C
094-846	GOODYEAR G124 245/75R22 5 14 PLY RADIAL REAR TIRES		-92	\$292 00
<b>Hubs</b>				
418-014	WEBB IRON FRONT HUBS	60		\$44 00
450-002	GUNITE IRON REAR AXLE HUBS			\$204 00
<b>Wheels</b>				
502-432	ACCURIDE 29028 22 5X7.50 8-HUB PILOT 4-HAND STEEL DISC FRONT WHEELS	-6		N/C
505-432	ACCURIDE 29028 22 5X7.50 8-HUB PILOT 4-HAND STEEL DISC REAR WHEELS		-28	N/C
<b>Cab Exterior</b>				
829-010	106" BBC STEEL CONVENTIONAL CAB			STD
653-010	RH CAB DOOR(S) WITH 55 DEGREE DOOR STOP			STD
651-010	LH CAB DOOR(S) WITH 55 DEGREE DOOR STOP			STD
650-009	RUBBER CAB MOUNTS			STD
678-001	LH AND RH GRAB HANDLES	4		STD



Prepared for:  
 Ron Price  
 WV State Health, Safety, & Training  
 office of Mine  
 1615 Washington Street E  
 Charleston, WV 25311  
 Phone: 304-558-0492

Prepared by:  
 Mike Coburn  
 HERITAGE EQUIPMENT, INC  
 322 DRY HILL RD.  
 BECKLEY, WV 25801  
 Phone: 304-254-7827

Data Code	Description	Weight Front	Weight Rear	Retail Price
646-030	HOOD MOUNTED SILVER METALLIC PAINTED PLASTIC GRILLE			STD
644-004	FIBERGLASS HOOD			STD
726-001	SINGLE ELECTRIC HORN			STD
657-001	DOOR LOCKS AND IGNITION SWITCH KEYED THE SAME			STD
312-007	SINGLE RECTANGULAR HALOGEN HEADLIGHTS			STD
302-005	AERODYNAMIC MARKER LIGHTS - SMALL			STD
294-001	INTEGRAL STOP/TAIL/BACKUP LIGHTS			STD
300-015	STANDARD FRONT TURN SIGNAL LAMPS			STD
744-006	DUAL WEST COAST PAINTED MIRRORS			STD
797-001	DOOR MOUNTED MIRRORS			STD
796-002	96" EQUIPMENT WIDTH			STD
743-133	LH AND RH 5.5" PAINTED CONVEX MIRRORS MOUNTED BELOW PRIMARY MIRRORS			STD
768-019	(2) 15"X26" TINTED REAR WINDOWS			STD
661-004	TINTED DOOR GLASS LH AND RH WITH TINTED OPERATING WING WINDOWS			STD
654-003	MANUAL DOOR WINDOW REGULATORS			STD
663-013	TINTED WINDSHIELD			STD
659-007	8 LITER WINDSHIELD WASHER RESERVOIR WITHOUT FLUID LEVEL INDICATOR			STD
<b>Cab Interior</b>				
707-1BA	BASE OASIS TAN INTERIOR			STD
706-013	MOLDED PLASTIC DOOR PANEL			STD
708-013	MOLDED PLASTIC DOOR PANEL			STD
772-020	DARK TAUPE VINYL MATS WITH SINGLE INSULATION			STD
785-001	DASH MOUNTED ASH TRAYS AND LIGHTER			STD
741-036	(1) COAT HOOK ON BACKWALL OF CAB			STD
680-003	SAHARA/ASH WING DASH			STD
700-002	HEATER, DEFROSTER AND AIR CONDITIONER	70		\$1,022 00
701-003	MAIN FRESH AIR INLET AND MAIN RECIRCULATION FILTERS			STD
703-006	MAIN HVAC CONTROLS WITHOUT RECIRCULATION SWITCH			STD
170-015	STANDARD HEATER PLUMBING			STD
130-031	SANDEN HEAVY DUTY AIR CONDITIONER COMPRESSOR			N/C
698-001	RADIATOR MOUNTED AIR CONDITIONER CONDENSER			N/C





Prepared for:  
 Ron Price  
 WV State Health, Safety, & Training  
 office of Mine  
 1615 Washington Street E  
 Charleston, WV 25311  
 Phone: 304-558-0492

Prepared by:  
 Mike Coburn  
 HERITAGE EQUIPMENT, INC.  
 322 DRY HILL RD.  
 BECKLEY, WV 25801  
 Phone: 304-254-7827

Data Code	Description	Weight Front	Weight Rear	Retail Price
702-002	BINARY CONTROL, R-134A			N/C
739-001	CAB INSULATION			STD
285-003	CIRCUIT FUSES			STD
280-007	12V NEGATIVE GROUND ELECTRICAL SYSTEM			STD
324-062	CENTER MOUNTED DOME LIGHT AND LH AND RH COURTESY LIGHTS IN KICK PANELS			STD
655-001	CAB DOOR LATCHES WITH MANUAL DOOR LOCKS			STD
756-280	MID BACK NON SUSPENSION DRIVER SEAT WITH FORE AND AFT ADJUSTMENT			STD
760-027	BOSTROM MID BACK NON SUSPENSION PASSENGER SEAT			STD
758-036	VINYL WITH VINYL INSERT DRIVER SEAT			STD
761-036	VINYL WITH VINYL INSERT PASSENGER SEAT			STD
763-011	3 POINT ADJUSTABLE D-RING RETRACTOR DRIVER AND PASSENGER SEAT BELTS			STD
532-001	FIXED STEERING COLUMN			STD
540-020	2-SPOKE 18" (450MM) BLACK STEERING WHEEL(S)			STD
765-002	DRIVER AND PASSENGER INTERIOR SUN VISORS			STD
<b>Instruments &amp; Controls</b>				
870-001	BLACK GAUGE BEZELS			STD
732-008	MULTIPLEX DRIVER INSTRUMENT PANEL			STD
734-013	DARK TAUPE CENTER INSTRUMENT PANEL WITH FLAT GAUGE INSERT			STD
486-001	LOW AIR PRESSURE LIGHT AND BUZZER			N/C
840-002	2" PRIMARY AND SECONDARY AIR PRESSURE GAUGES			N/C
198-025	INTAKE MOUNTED AIR RESTRICTION INDICATOR WITHOUT GRADUATIONS			STD
149-015	CRUISE CONTROL-ELECTRONIC, CONTROLS ON STEERING WHEEL SPOKES			STD
156-007	KEY OPERATED IGNITION SWITCH AND INTEGRAL START POSITION; 4 POSITION OFF/RUN/START/ACCESSORY			STD
811-011	ODOMETER/TRIP/HOUR/DIAGNOSTIC/VOLTAGE DISPLAY: 1X7 CHARACTER, 26 WARNING LAMPS DATA LINKED, ICU3			STD
160-012	DIAGNOSTIC INTERFACE CONNECTOR, 9 PIN, SAE J1587/1708/1939, LOCATED BELOW DASH			STD
844-001	2" ELECTRIC FUEL GAUGE			STD
856-001	ELECTRICAL ENGINE COOLANT TEMPERATURE GAUGE			STD
864-005	TRANSMISSION OIL TEMPERATURE INDICATOR LIGHT			STD



Prepared for:  
 Ron Price  
 WV State Health, Safety, & Training  
 office of Mine  
 1615 Washington Street E  
 Charleston, WV 25311  
 Phone: 304-558-0492

Prepared by:  
 Mike Coburn  
 HERITAGE EQUIPMENT, INC  
 322 DRY HILL RD.  
 BECKLEY, WV 25801  
 Phone: 304-254-7827

Data Code	Description	Weight Front	Weight Rear	Retail Price
830-017	ENGINE AND TRIP HOUR METERS INTEGRAL WITHIN DRIVER DISPLAY			STD
852-002	ELECTRIC ENGINE OIL PRESSURE GAUGE			STD
746-007	STERLING AM/FM STEREO RADIO	10		\$451 00
750-002	(2) RADIO SPEAKERS (CAB ONLY)			N/C
752-017	MULTI-BAND AM/FM/WB/CB LH MIRROR MOUNTED ANTENNA SYSTEM	2		N/C
810-027	ELECTRONIC MPH SPEEDOMETER WITH SECONDARY KPH SCALE, WITHOUT ODOMETER			STD
817-001	STANDARD VEHICLE SPEED SENSOR			STD
812-001	ELECTRONIC TACHOMETER 3000 RPM			STD
329-998	NO EXTRA SWITCH IN DASH			STD
836-015	DIGITAL VOLTAGE DISPLAY INTEGRAL WITH DRIVER DISPLAY			STD
660-008	SINGLE ELECTRIC WINDSHIELD WIPER MOTOR WITH DELAY			STD
304-005	(3) POSITION ROTARY HEADLAMP SWITCH WITH SEPARATE MARKER LIGHT INTERRUPTER SWITCH, DIMMER WITH INTERIOR DOME			STD
882-009	ONE VALVE PARKING BRAKE SYSTEM WITH WARNING INDICATOR			N/C
299-004	UNITED TECHNOLOGIES SELF CANCELING TURN SIGNAL SWITCH WITH STALK MOUNTED WIPER CONTROLS			STD
298-003	HEAVY DUTY MECHANICAL TURN SIGNAL FLASHER			STD
<b>Design</b>				
065-000	PAINT: ONE SOLID COLOR			STD
<b>Color</b>				
980-3F6	CAB COLOR A: N0006EA WHITE ELITE SS			STD
986-020	BLACK, HIGH SOLIDS POLYURETHANE CHASSIS PAINT			STD
962-970	VENDOR WHITE FRONT WHEELS/RIMS			STD
966-970	VENDOR WHITE REAR WHEELS/RIMS			STD
964-2PK	BUMPER PAINT: N3713EA MED TITANIUM MET ELITE SS			N/C
<b>Secondary Factory Options</b>				
998-998	DEALER ACCEPTS RESPONSIBILITY FOR IN-SERVICE PDI INSPECTION			STD
<b>Sales Programs</b>				
RAM-001	SEPT 2006 PRICE PROGRAM RAM-001			(\$2,500 00)



Prepared for:  
 Ron Price  
 WV State Health, Safety, & Training  
 office of Mine  
 1615 Washington Street E  
 Charleston, WV 25311  
 Phone: 304-558-0492

Prepared by:  
 Mike Coburn  
 HERITAGE EQUIPMENT, INC  
 322 DRY HILL RD.  
 BECKLEY, WV 25801  
 Phone: 304-254-7827

**TOTAL VEHICLE SUMMARY**

**Adjusted List Price**

Adjusted List Price \*\* \$92,288 00

**Weight Summary**

Total Weight <sup>+</sup>	
Front Weight Total	6395 LBS
Rear Weight Total	3725 LBS
Total Weight	10120 LBS

**ITEMS NOT INCLUDED IN ADJUSTED LIST PRICE**

**Other Factory Charges**

PMQ-207	2007 ENGINE EMISSIONS ESCALATOR	\$6 000 00
	DELIVERY & ORDER PROCESSING CHARGE	\$1,425 00

**Dealer Installed Options**

001	VAN BODY AND GENERATOR PER YOUR SPEC	\$30,888 00
Total Dealer Installed Options (Local Currency)		\$30,888 00

(+) Weights shown are estimates only

If weight is critical, contact sales application engineering.

(\*\*) Prices shown do not include taxes, fees, etc "Net Equipment Selling Price" is located on the Quotation Details Proposal Report



Prepared for:  
 Ron Price  
 WV State Health, Safety, & Training  
 office of Mine  
 1615 Washington Street E  
 Charleston, WV 25311  
 Phone: 304-558-0492

Prepared by:  
 Mike Coburn  
 HERITAGE EQUIPMENT, INC  
 322 DRY HILL RD  
 BECKLEY, WV 25801  
 Phone: 304-254-7827

## Q U O T A T I O N

STERLING ACTERRA - CHASSIS	
SET BACK AXLE - TRUCK	AF-8 0-3 8,000# FF1 71 5 KPI/3 74 DROP SINGLE FRONT AXLE
MBE900-280 7.2L 280 HP @ 2200 RPM, 2500 GOV, 800 LB/FT @ 1200 RPM	8,000# TAPERLEAF FRONT SUSPENSION
ALLISON 3000 HS AUTOMATIC TRANSMISSION, NO PTO PROVISION	106" BBC STEEL CONVENTIONAL CAB
ARS-17 5-4 17,500# R-SERIES SINGLE REAR AXLE	6450MM (254") WHEELBASE
18,000# 52" VARIABLE RATE MULTI-LEAF SPRING REAR SUSPENSION	5/16" X 3" X 10-1/8" STEEL FRAME (7.94MM X 257 2MM/ 312" X 10 13") 50KSI
	3050MM (120") REAR FRAME OVERHANG

		PER UNIT		TOTAL
VEHICLE PRICE	TOTAL # OF UNITS (2)	\$ 56,174	\$	112,348
EXTENDED WARRANTY		\$ 0	\$	0
DEALER INSTALLED OPTIONS		\$ 30,888	\$	61,776
<b>CUSTOMER PRICE BEFORE TAX</b>		<b>\$ 87,062</b>	<b>\$</b>	<b>174,124</b>

TAXES AND FEES			
FEDERAL EXCISE TAX (FET)	\$	(66 0)	\$ (133 0)
TAXES AND FEES	\$	0	\$ 0
OTHER CHARGES	\$	0	\$ 0

TRADE-IN			
TRADE-IN ALLOWANCE	\$	(0)	\$ (0)
<b>BALANCE DUE</b>	<b>(LOCAL CURRENCY) \$</b>	<b>86,996</b>	<b>\$ 173,992</b>

~~COMMENTS:  
 Projected delivery on \_\_\_/\_\_\_/\_\_\_ provided the order is received before \_\_\_/\_\_\_/\_\_\_.~~

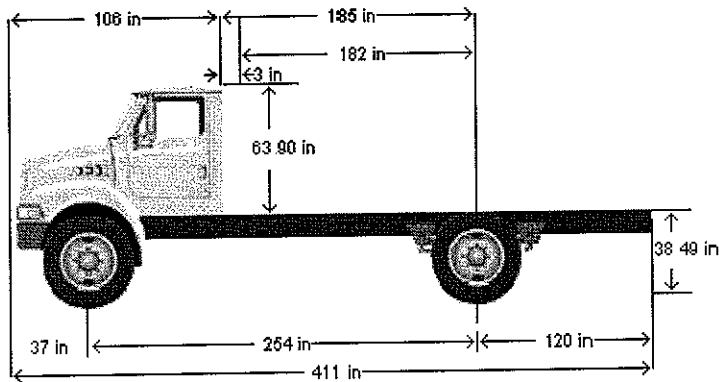
~~APPROVAL:  
 Please indicate your acceptance of this quotation by signing below:  
 Customer: X \_\_\_\_\_ Date: \_\_\_/\_\_\_/\_\_\_.~~



Prepared for:  
 Ron Price  
 WV State Health, Safety, & Training  
 office of Mine  
 1615 Washington Street E  
 Charleston, WV 25311  
 Phone: 304-558-0492

Prepared by:  
 Mike Coburn  
 HERITAGE EQUIPMENT, INC  
 322 DRY HILL RD.  
 BECKLEY, WV 25801  
 Phone: 304-254-7827

## D I M E N S I O N S



### VEHICLE SPECIFICATIONS SUMMARY - DIMENSIONS

Model	Acterra
Wheelbase (545)	6450MM (254") WHEELBASE
Rear Frame Overhang (552)	3050MM (120") REAR FRAME OVERHANG
Fifth Wheel (578)	NO FIFTH WHEEL
Cab Size (829)	106" BBC STEEL CONVENTIONAL CAB



Prepared for:  
 Ron Price  
 WV State Health, Safety, & Training  
 office of Mine  
 1615 Washington Street E  
 Charleston, WV 25311  
 Phone: 304-558-0492

Prepared by:  
 Mike Coburn  
 HERITAGE EQUIPMENT, INC  
 322 DRY HILL RD.  
 BECKLEY, WV 25801  
 Phone: 304-254-7827

Exhaust System (016) . RH INBOARD FRAME MOUNTED HORIZONTAL AFTERTREATMENT DEVICE WITH RH HORIZONTAL TAILPIPE

**TABLE SUMMARY - DIMENSIONS**

Dimensions	Inches
Bumper to Back of Cab (BBC)	106.3
Bumper to Centerline of Front Axle (BA)	37.4
Min. Cab to Body Clearance (CB)	3.0
Back of Cab to Centerline of Rear Axle(s) (CA)	185.1
Effective Back of Cab to Centerline of Rear Axle(s) (Effective CA)	182.1
Back of Cab Protrusions (Exhaust/Intake) (CP)	0.0
Back of Cab Protrusions (Side Extenders/Trim Tab) (CP)	0.0
Back of Cab Clearance (CL)	3.0
Back of Cab to End of Frame	305.1
Cab Height (CH)	63.9
Wheelbase (WB)	254.0
Frame Overhang (OH)	120.0
Overall Length (OAL)	411.4
Rear Axle Spacing	0.0
Unladen Frame Height at Centerline of Rear Axle	38.5



MOUNTAINEER TRUCK EQUIPMENT INC.  
 P. O. BOX 3588  
 CHARLESTON, WV 25335  
 304 925 6300

Current  
 Date 2/17/07

QUOTATION NUMBER  
 1D7900131

BILL TO: HERITAGE EQUIPMENT      SHIP TO: HERITAGE EQUIPMENT

Shipping Method: SELLER  
 FOB: RAND, WV

Reference  
 OFFICE OF MINERS  
 HEALTH, SAFETY

Terms COD

MODEL	DESCRIPTION	QUANTITY
GVSDT08524096	DRY FREIGHT INSULATED BODY	1
INSIDE HEIGHT	INSIDE LENGTH	INSIDE WIDTH
85.12"	289.56"	92.88"
		REAR DOOR OPENING
		88.00" W x 79.25" H

DESCRIPTION	QUANTITY
MISCELLANEOUS	1
THIS ORDER PROCESSED BY MORGAN BODY BUILDER	
SUBFRAME	1
3" I-BEAM CROSSMEMBERS 12" CENTERS 4" LONG RAIL-SINGLE AXLE	
SUB FRAME OPTION	1
MYLAR TAPE ON BOTTOM RAILS	
MOUNTING OPTION	1
STANDARD U-BOLT WITH FOAM BETWEEN SILLS CUSTOMER FINISH	
MID FLAPS	1
MORGAN 24" X 36" BLACK	
INSUL-FLOOR	1
BLOCK FOAM BETWEEN SILLS-GVSDI	
THRESHOLD-REAR	1
STERIL GALVANIZED ANGLE FLUSH TO REAR	
FLOOR	1
1-3/8" LAMINATED HARDWOOD	
REAR FRAME	1
ENDPLATE REINFORCEMENT FOR 4 1/8" OR 4 3/8" ENDPLATE	
REAR FRAME	1
GALVANNEALED HEADER POST GUSSET	
REAR FRAME	1
GALVANNEALED WITH OVERHEAD DOOR AND RECESS TAILLITES	
CUSTOMER HAS REQUESTED A MORGAN VAN BODY THAT	
DOES NOT INCLUDE MORGAN STANDARD	
TRUCKSKIN-COMPATIBLE PRE-DRILLED (PLUGGED)	

DESCRIPTION	QUANTITY
HOLES IN THE REAR FRAME POSTS.	
INSUL-REAR FRAME	1
FIBERGLASS INSULATION FOR REAR FRAME 35" HIGH BODY	
GRAB HANDLE	2
ALUMINUM-12" - MONOBOLIED	
CURBSIDE AND ROADSIDE REAR	
RIVETS	1
RIVETS FOR FRONT AND SIDEWALL ASSEMBLIES FOR 24' BODY	
SIDE POST	1
STEEL 2 ON 16" CENTERS NO DOOR CURBSIDE	
SIDE POST	1
STEEL 2 ON 16" CENTERS NO DOOR ROADSIDE	
SKINS-SIDES	1
.040 ALUMINUM PREPAINTED WHITE NO DOOR	
INSUL-SIDES	2
1 5/16" POLYSTYRENE FOAM ON 16" CENTERS NO DOOR	
XXX	2
ENGINEERING SPECIAL ITEM(S)	
GLASSBOARD FULL HEIGHT NO DOOR	
FRONT END	1
AERODYNAMIC ALUMINUM RADII WITH STEEL 2 POSTS	
SKINS-FRONT	1
.040 ALUMINUM PREPAINTED WHITE	
INSUL-CEILING	1
1 5/16" STYROFOAM WITH 1 5/16" FRONT STYROFOAM	
INSUL-FRONT	1
1 5/16" THICK STYRO-FOAM USING 1 5/16" THICK BLOCKS	
XXX	1
ENGINEERING SPECIAL ITEM	
GLASSBOARD LINER WITH 1.31" STYROFOAM	
INSULATION	
ROOF	1
.032 ALUMINUM GVSDI	
FRONT TOP RADIUS	1
ALUMINUM WITH RADII	
LINER-CEILING	1
3/32" GLASSBOARD WITH 1 3/8" CEILING FOAM AND 1 5/16" FRONT	
FOAM	
INT. LIGHT OPTION	1
EXTRA SPOT ON SAME CIRCUIT	
XXX	1
ENGINEERING SPECIAL ITEM	
SPOT WITH SWITCH AT REAR	



DESCRIPTION	QUANTITY
ICC UNDERRIDE	1
center style stepwith pull out step extension EXT. LIGHT OPTION	1
LICENSE PLATE LITE WITH BRACKET	
EXTERIOR LIGHTS	1
PZR FMVSS-108 WITH SEALED HARNESS SYSTEM STANDARD	
EXT. LIGHT OPTION	1
TAILLITES IN REAR CORNER POST, DOMESTIC CHASSTS	
EXT LIGHT OPTION	1
DELPHI PACKARD SEALED METRI PACK 280 SERIES CONNECTOR COMPONENTS USE FOR CHASSIS WIRING AND EXTERIOR LIGHTS INCLUDING DOME AND CLEARANCE LIGHTS	
PAINT	1
REAR FRAME STEEL WHITE IMRON	
DECALS	1
MORGAN-BLACK-PULL MOUNT-CUSTOMER FINISH	
ACCESSORIES	1
BACK-UP ALARM VELVAC-697087	
XXX	1
ENGINEERING SPECIAL ITEM SC06002851 - MAXIMIZER SLIDING SIDE DOOR WITH RECESSED STEP WELL. 36" CLEAR OPENING WIDTH X 80-3/16" OPENING HEIGHT. LOCATE DOOR ON CURBSIDE AT 48" FROM INSIDE FRONT. STEPWELL TO BE A 3-STEP ASSEMBLY WITH A COURTESY LIGHT IN STEPWELL.	
REFERENCE D08333, DS39122, DS99027, BFW24S902, ILD021 AND CD24S946. STEPWELL, SLIDING SIDE DOOR AND DOOR POCKET AREA WILL HAVE NO INSULATION	
XXX	1
ENGINEERING SPECIAL ITEM SC06002853 - SINGLE PANEL NARROW OPENING DOOR WITH (3) HINGES PER PANEL, POLAR 7011S TWO-POINT HARDWARE WITH KEY LOCKING HANDLE WITH INSIDE HANDLE LOCATE HANDLE 41" FROM TOP OF ENDPLATE TO CENTER OF HANDLE SHANK HOLE.	
REFERENCE ONLY LHW09201, NFF0031, PDR3S101 AND AD3S550. NO INSULATION IN REAR DOOR OR IN REAR FRAME AREA.	

DESCRIPTION	QUANTITY
<p>XXX</p> <p>ENGINEERING SPECIAL ITEM</p> <p>Info - FILLER PANELS FOR NARROW OPENING DOOR (44.19" W X 91.25"H) FOR GVSDI BODY WITH BLOCK FOAM AND 3/8" PLYWOOD INTERIOR LINER.</p> <p>INCLUDED IN PREVIOUS ITEM.</p>	1
<p>XXX</p> <p>ENGINEERING SPECIAL ITEM</p> <p>SC06002854 - CEILING SUPPORTS FOR A CUSTOMER SUPPLIED / CUSTOMER INSTALLED AIR CONDITIONER WITH ELECTRIC HEAT STRIPS. REP: DRAWING PA69401C FOR LOCATION OF CEILING SUPPORTS.</p> <p>REFERENCE ONLY MISC94064</p>	1
<p>XXX</p> <p>ENGINEERING SPECIAL ITEM.</p> <p>Manual - 36" PEAK WITH GLASSBOARD LINER AND POLYSTYRENE BLOCK FOAM SIDES AND FRONT</p>	1

Chassis Data

Make:	Serial#: _____	# of Rear Axles: <u>1</u>
Model:	Type: <u>CONV</u>	Hgt. Restric: <u>000</u>
Wheelbase:	Color: _____	Customer Material: <u>N</u>
Frame Width: <u>24.00</u>	Vert Exhaust: <u>N</u> Date Available: _____	F.O.D: _____
Pick up of Chassis: <u>N</u>	Certification: <u>R</u>	

	QUANTITY
ALUMINUM UNDERBODY STORAGE BOXES INSTALLED IN 3" CHANNEL BOXES TO BE 24"x60"x24"	3
ALUMINUM UNDERBODY STORAGE BOX INSTALLED IN 3" CHANNEL BOX TO BE 24"x30"x24"	1
7500-WATT DIESEL GENERATOR WITH ENCLOSED MOUNTING FRAME WELDED TO UNDERSIDE OF BODY.	1

ENG. NOTE: CHASSIS FRAME SHOULD BE 26' 3-5/8"  
FROM BACK OF CAB TO END OF FRAME

TOTAL DUE \$30,888.00  
ON DELIVERY

ESTIMATED TIME OF DELIVERY FROM DATE OF RECEIPT  
OF CHASSIS \* WEEKS