



State of West Virginia
 Department of Administration
 Purchasing Division
 2019 Washington Street East
 Post Office Box 50130
 Charleston, WV 25305-0130

Request for Quotation

RFQ NUMBER
CABLE07

PAGE
1

ADDRESS CORRESPONDENCE TO ATTENTION OF
BETTY FRANCISCO
304-558-0468

VENDOR

*709002526 304-344-2371
GRAYBAR ELECTRIC COMPANY INC
1010 YOUNG STREET

CHARLESTON WV 25301

SHIP TO

ALL STATE AGENCIES
AND POLITICAL SUBDIVISIONS
VARIOUS LOCALES AS INDICATED
BY ORDER

DATE PRINTED 02/22/2007	TERMS OF SALE	SHIP VIA	F.O.B.	FREIGHT TERMS
-----------------------------------	---------------	----------	--------	---------------

BID OPENING DATE: **04/05/2007** BID OPENING TIME **01:30PM**

LINE	QUANTITY	UOP	CAT NO.	ITEM NUMBER	UNIT PRICE	AMOUNT
REQUEST FOR QUOTATION						
<p>THE PURCHASING DIVISION IS SOLICITING QUOTATIONS FROM QUALIFIED VENDORS FOR THE OFFICE OF TECHNOLOGY DIVISION OF THE DEPARTMENT OF ADMINISTRATION TO ESTABLISH A BLANKET OPEN-END STATEWIDE CONTRACT TO PROVIDE COMPUTER DATA CABLE (COPPER/FIBER) AND FITTINGS FOR ALL WEST VIRGINIA STATE AGENCIES AND POLITICAL SUBDIVISIONS</p> <p>*****IMPORTANT*****IMPORTANT*****</p> <p>A MANDATORY PRE-BID MEETING SHALL BE HELD ON THURSDAY, MARCH 8, 2007 AT 10:30 A.M. THE MEETING WILL BE IN THE PURCHASING DIVISION CONFERENCE ROOM LOCATED AT 2019 WASHINGTON STREET EAST, CHARLESTON, WV 25305. THIS IS BUILDING 15 IN THE CAPITOL COMPLEX. ANY VENDOR WHO WISHES TO BID ON THE CONTRACT MUST BE REPRESENTED AT THIS MEETING. FAILURE TO ATTEND THE PRE-BID CONFERENCE SHALL DISQUALIFY A VENDOR FROM BIDDING ON THIS CONTRACT. NO PERSON CAN REPRESENT MORE THAN ONE BIDDER.</p> <p>*****</p> <p>INQUIRIES WRITTEN QUESTIONS SHALL BE ACCEPTED THROUGH CLOSE OF BUSINESS ON WEDNESDAY, MARCH 7, 2007. QUESTIONS MAY BE SENT VIA USPS, FAX, COURIER OR EMAIL. IN ORDER TO ASSURE NO VENDOR RECEIVES AN UNFAIR ADVANTAGE, NO SUBSTANTIVE QUESTIONS WILL BE ANSWERED ORALLY. IF POSSIBLE, E-MAIL QUESTIONS ARE PREFERRED. ADDRESS INQUIRIES TO:</p> <p>JO ANN ADKINS DEPARTMENT OF ADMINISTRATION</p>						

SEE REVERSE SIDE FOR TERMS AND CONDITIONS

SIGNATURE <i>Kevin Hayes</i>	TELEPHONE 304-344-2371	DATE 4-5-07
TITLE SALES REP	FEIN 130794380001	ADDRESS CHANGES TO BE NOTED ABOVE

WHEN RESPONDING TO RFQ, INSERT NAME AND ADDRESS IN SPACE ABOVE LABELED 'VENDOR'

**GENERAL TERMS & CONDITIONS
REQUEST FOR QUOTATION (RFQ) AND REQUEST FOR PROPOSAL (RFP)**

1. Awards will be made in the best interest of the State of West Virginia.
2. The State may accept or reject in part, or in whole, any bid.
3. All quotations are governed by the *West Virginia Code* and the *Legislative Rules* of the Purchasing Division.
4. Prior to any award, the apparent successful vendor must be properly registered with the Purchasing Division and have paid the required \$125.00 registration fee.
5. All services performed or goods delivered under State Purchase Orders/Contracts are to be continued for the term of the Purchase Order/Contract, contingent upon funds being appropriated by the Legislature or otherwise being made available. In the event funds are not appropriated or otherwise available for these services or goods, this Purchase Order/Contract becomes void and of no effect after June 30.
6. Payment may only be made after the delivery and acceptance of goods or services.
7. Interest may be paid for late payment in accordance with the *West Virginia Code*.
8. Vendor preference will be granted upon written request in accordance with the *West Virginia Code*.
9. The State of West Virginia is exempt from federal and state taxes and will not pay or reimburse such taxes.
10. The Director of Purchasing may cancel any Purchase Order/Contract upon 30 days written notice to the seller.
11. The laws of the State of West Virginia and the *Legislative Rules* of the Purchasing Division shall govern all rights and duties under the Contract, including without limitation the validity of this Purchase Order/Contract.
12. Any reference to automatic renewal is hereby deleted. The Contract may be renewed only upon mutual written agreement of the parties.
13. **BANKRUPTCY:** In the event the vendor/contractor files for bankruptcy protection, this contract is automatically null and void, and is terminated without further order.
14. **HIPAA Business Associate Addendum -** The West Virginia State Government HIPAA Business Associate Addendum (BAA), approved by the Attorney General, and available online at the Purchasing Division's web site (<http://www.state.wv.us/admin/purchase/vrc/hipaa.htm>) is hereby made part of the agreement. Provided that, the Agency meets the definition of a Covered Entity (45 CFR §160.103) and will be disclosing Protected Health Information (45 CFR §160.103) to the vendor.

INSTRUCTIONS TO BIDDERS

1. Use the quotation forms provided by the Purchasing Division.
2. **SPECIFICATIONS:** Items offered must be in compliance with the specifications. Any deviation from the specifications must be clearly indicated by the bidder. Alternates offered by the bidder as **EQUAL** to the specifications must be clearly defined. A bidder offering an alternate should attach complete specifications and literature to the bid. The Purchasing Division may waive minor deviations to specifications.
3. Complete all sections of the quotation form.
4. Unit prices shall prevail in cases of discrepancy.
5. All quotations are considered F.O.B. destination unless alternate shipping terms are clearly identified in the quotation.
6. **BID SUBMISSION:** All quotations must be delivered by the bidder to the office listed below prior to the date and time of the bid opening. Failure of the bidder to deliver the quotations on time will result in bid disqualifications.

SIGNED BID TO:

Department of Administration
Purchasing Division
2019 Washington Street East
Post Office Box 50130
Charleston, WV 25305-0130



State of West Virginia
 Department of Administration
 Purchasing Division
 2019 Washington Street East
 Post Office Box 50130
 Charleston, WV 25305-0130

Request for Quotation

RFQ NUMBER
CABLE07

PAGE
2

ADDRESS CORRESPONDENCE TO ATTENTION OF:
BETTY FRANCISCO 304-558-0468

VENDOR

*709002526 304-344-2371
 GRAYBAR ELECTRIC COMPANY INC
 1010 YOUNG STREET
 CHARLESTON WV 25301

SHIP TO

ALL STATE AGENCIES
 AND POLITICAL SUBDIVISIONS
 VARIOUS LOCALES AS INDICATED
 BY ORDER

DATE PRINTED	TERMS OF SALE	SHIP VIA	F.O.B.	FREIGHT TERMS
02/22/2007				

BID OPENING DATE: **04/05/2007** BID OPENING TIME **01:30PM**

LINE	QUANTITY	UOP	CAT NO.	ITEM NUMBER	UNIT PRICE	AMOUNT
				PURCHASING DIVISION 2019 WASHINGTON STREET EAST CHARLESTON, WV 25305 FAX: 304-558-4115 EMAIL: JOADKINS@WVADMIN.GOV ***** RELEASE OF RFQ.....02/23/2007 VENDOR'S WRITTEN QUESTIONS SUBMISSION DEADLINE (CLOSE OF BUSINESS)..... 03/07/2007 MANDATORY PRE-BID MEETING.....03/08/2007 RESPONSE TO QUESTIONS/ADDENDUM ISSUED.....03/15/2007 BID OPENING DATE.....04/05/2007 ATTACHMENTS TO THIS REQUEST FOR QUOTATION: 1. SPECIFICATIONS "CABLE07" DATED 02/12/07 (3 PAGES) 2. PRICING PAGES (15 PAGES) 3. WV-96 (1 PAGE) 4. NO DEBT AFFIDAVIT (1 PAGE)		
0001	1	EA	285-10	CABLE ACCESSORIES, ELECTRIC		\$1,185,490.61
				EXHIBIT 3		

SIGNATURE	SEE REVERSE SIDE FOR TERMS AND CONDITIONS AND EXTENDS FOR A PERIOD OF ONE (1)		TELEPHONE	DATE
<i>Kevin Hypo</i>			304-344-2371	4-5-07
TITLE	FEIN	ADDRESS CHANGES TO BE NOTED ABOVE		
<i>SRES REP</i>	130794380001			

WHEN RESPONDING TO RFQ, INSERT NAME AND ADDRESS IN SPACE ABOVE LABELED 'VENDOR'



State of West Virginia
 Department of Administration
 Purchasing Division
 2019 Washington Street East
 Post Office Box 50130
 Charleston, WV 25305-0130

Request for Quotation

RFQ NUMBER
CABLE07

PAGE
3

ADDRESS CORRESPONDENCE TO ATTENTION OF:
BETTY FRANCISCO 304-558-0468

VENDOR

*709002526 304-344-2371
 GRAYBAR ELECTRIC COMPANY INC
 1010 YOUNG STREET
 CHARLESTON WV 25301

SHIP TO

ALL STATE AGENCIES
 AND POLITICAL SUBDIVISIONS
 VARIOUS LOCALES AS INDICATED
 BY ORDER

DATE PRINTED	TERMS OF SALE	SHIP VIA	F.O.B.	FREIGHT TERMS
02/22/2007				

BID OPENING DATE: 04/05/2007 BID OPENING TIME 01:30PM

LINE	QUANTITY	UOP	CAT. NO.	ITEM NUMBER	UNIT PRICE	AMOUNT
<p>YEAR OR UNTIL SUCH "REASONABLE TIME" THEREAFTER AS IS NECESSARY TO OBTAIN A NEW CONTRACT OR RENEW THE ORIGINAL CONTRACT. THE "REASONABLE TIME" PERIOD SHALL NOT EXCEED TWELVE (12) MONTHS. DURING THIS "REASONABLE TIME" THE VENDOR MAY TERMINATE THIS CONTRACT FOR ANY REASON UPON GIVING THE DIRECTOR OF PURCHASING 30 DAYS WRITTEN NOTICE.</p> <p>UNLESS SPECIFIC PROVISIONS ARE STIPULATED ELSEWHERE IN THIS CONTRACT DOCUMENT, THE TERMS, CONDITIONS AND PRICING SET HEREIN ARE FIRM FOR THE LIFE OF THE CONTRACT.</p> <p>RENEWAL: THIS CONTRACT MAY BE RENEWED UPON THE MUTUAL WRITTEN CONSENT OF THE SPENDING UNIT AND VENDOR, SUBMITTED TO THE DIRECTOR OF PURCHASING THIRTY (30) DAYS PRIOR TO THE EXPIRATION DATE. SUCH RENEWAL SHALL BE IN ACCORDANCE WITH THE TERMS AND CONDITIONS OF THE ORIGINAL CONTRACT AND SHALL BE LIMITED TO TWO (2) ONE (1) YEAR PERIODS.</p> <p>CANCELLATION: THE DIRECTOR OF PURCHASING RESERVES THE RIGHT TO CANCEL THIS CONTRACT IMMEDIATELY UPON WRITTEN NOTICE TO THE VENDOR IF THE COMMODITIES AND/OR SERVICE SUPPLIED ARE OF AN INFERIOR QUALITY OR DO NOT CONFORM TO THE SPECIFICATIONS OF THE BID AND CONTRACT HEREIN.</p> <p>OPEN MARKET CLAUSE: THE DIRECTOR OF PURCHASING MAY AUTHORIZE A SPENDING UNIT TO PURCHASE ON THE OPEN MARKET, WITHOUT THE FILING OF A REQUISITION OR COST ESTIMATE, ITEMS SPECIFIED ON THIS CONTRACT FOR IMMEDIATE DELIVERY IN EMERGENCIES DUE TO UNFORESEEN CAUSES (INCLUDING BUT NOT LIMITED TO DELAYS IN TRANSPORTATION OR AN UNANTICIPATED INCREASE IN THE VOLUME OF WORK.)</p>						

SEE REVERSE SIDE FOR TERMS AND CONDITIONS

SIGNATURE	TELEPHONE	DATE
<i>Kellin Hayes</i>	304-344-2371	4-5-07
TITLE	FEIN	ADDRESS CHANGES TO BE NOTED ABOVE
<i>SALES REP</i>	130794380001	

WHEN RESPONDING TO RFQ, INSERT NAME AND ADDRESS IN SPACE ABOVE LABELED 'VENDOR'



State of West Virginia
 Department of Administration
 Purchasing Division
 2019 Washington Street East
 Post Office Box 50130
 Charleston, WV 25305-0130

Request for Quotation

RFQ NUMBER
CABLE07

PAGE
4

ADDRESS CORRESPONDENCE TO ATTENTION OF:
BETTY FRANCISCO
304-558-0468

VENDOR

*709002526 304-344-2371
 GRAYBAR ELECTRIC COMPANY INC
 1010 YOUNG STREET
 CHARLESTON WV 25301

SHIP TO

ALL STATE AGENCIES
 AND POLITICAL SUBDIVISIONS
 VARIOUS LOCALES AS INDICATED
 BY ORDER

DATE PRINTED	TERMS OF SALE	SHIP VIA	F.O.B.	FREIGHT TERMS
02/22/2007				

BID OPENING DATE: 04/05/2007 BID OPENING TIME 01:30PM

LINE	QUANTITY	UOP	CAT NO	ITEM NUMBER	UNIT PRICE	AMOUNT
<p>QUANTITIES: QUANTITIES LISTED IN THE REQUISITION ARE APPROXIMATIONS ONLY, BASED ON ESTIMATES SUPPLIED BY THE STATE SPENDING UNIT. IT IS UNDERSTOOD AND AGREED THAT THE CONTRACT SHALL COVER THE QUANTITIES ACTUALLY ORDERED FOR DELIVERY DURING THE TERM OF THE CONTRACT, WHETHER MORE OR LESS THAN THE QUANTITIES SHOWN.</p> <p>ORDERING PROCEDURE: SPENDING UNIT(S) SHALL ISSUE A WRITTEN STATE CONTRACT ORDER (FORM NUMBER WV-39) TO THE VENDOR FOR COMMODITIES COVERED BY THIS CONTRACT. THE ORIGINAL COPY OF THE WV-39 SHALL BE MAILED TO THE VENDOR AS AUTHORIZATION FOR SHIPMENT, A SECOND COPY MAILED TO THE PURCHASING DIVISION, AND A THIRD COPY RETAINED BY THE SPENDING UNIT.</p> <p>BANKRUPTCY: IN THE EVENT THE VENDOR/CONTRACTOR FILES FOR BANKRUPTCY PROTECTION, THIS CONTRACT IS AUTOMATICALLY NULL AND VOID, AND IS TERMINATED WITHOUT FURTHER ORDER.</p> <p>THE TERMS AND CONDITIONS CONTAINED IN THIS CONTRACT SHALL SUPERSEDE ANY AND ALL SUBSEQUENT TERMS AND CONDITIONS WHICH MAY APPEAR ON ANY ATTACHED PRINTED DOCUMENTS SUCH AS PRICE LISTS, ORDER FORMS, SALES AGREEMENTS OR MAINTENANCE AGREEMENTS, INCLUDING ANY ELECTRONIC MEDIUM SUCH AS CD-ROM.</p> <p>REV. 04/11/2001</p> <p>PURCHASING CARD ACCEPTANCE: THE STATE OF WEST VIRGINIA CURRENTLY UTILIZES A VISA PURCHASING CARD PROGRAM WHICH IS ISSUED THROUGH A BANK. THE SUCCESSFUL VENDOR MUST ACCEPT THE STATE OF WEST VIRGINIA VISA PURCHASING CARD FOR PAYMENT OF ALL ORDERS PLACED BY ANY STATE AGENCY FOR ORDERS THAT ARE LESS THAN \$2,500 AS A CONDI</p>						

SEE REVERSE SIDE FOR TERMS AND CONDITIONS

SIGNATURE <i>Kevin Hayes</i>	TELEPHONE 304-344-2371	DATE 4-5-07
TITLE SALES REP	FEIN 130794380001	ADDRESS CHANGES TO BE NOTED ABOVE

WHEN RESPONDING TO RFQ, INSERT NAME AND ADDRESS IN SPACE ABOVE LABELED 'VENDOR'



State of West Virginia
 Department of Administration
 Purchasing Division
 2019 Washington Street East
 Post Office Box 50130
 Charleston, WV 25305-0130

Request for Quotation

RFQ NUMBER
CABLE07

PAGE
5

ADDRESS CORRESPONDENCE TO ATTENTION OF:
BETTY FRANCISCO
304-558-0468

VENDOR

*709002526 304-344-2371
GRAYBAR ELECTRIC COMPANY INC
1010 YOUNG STREET

CHARLESTON WV 25301

SHIP TO

ALL STATE AGENCIES
AND POLITICAL SUBDIVISIONS
VARIOUS LOCALES AS INDICATED
BY ORDER

DATE PRINTED 02/22/2007	TERMS OF SALE	SHIP VIA	F.O.B.	FREIGHT TERMS
-----------------------------------	---------------	----------	--------	---------------

BID OPENING DATE: **04/05/2007** BID OPENING TIME **01:30PM**

LINE	QUANTITY	UOP	CAT NO	ITEM NUMBER	UNIT PRICE	AMOUNT
<p>TION OF AWARD.</p> <p>VENDOR PREFERENCE CERTIFICATE</p> <p>CERTIFICATION AND APPLICATION* IS HEREBY MADE FOR PREFERENCE IN ACCORDANCE WITH WEST VIRGINIA CODE, 5A-3-37 (DOES NOT APPLY TO CONSTRUCTION CONTRACTS).</p> <p>A. APPLICATION IS MADE FOR 2.5% PREFERENCE FOR THE REASON CHECKED:</p> <p><input checked="" type="checkbox"/> BIDDER IS AN INDIVIDUAL RESIDENT VENDOR AND HAS RESIDED CONTINUOUSLY IN WEST VIRGINIA FOR FOUR (4) YEARS IMMEDIATELY PRECEDING THE DATE OF THIS CERTIFICATION; OR</p> <p><input type="checkbox"/> BIDDER IS A PARTNERSHIP, ASSOCIATION OR CORPORATION RESIDENT VENDOR AND HAS MAINTAINED ITS HEAD-QUARTERS OR PRINCIPAL PLACE OF BUSINESS CONTINUOUSLY IN WEST VIRGINIA FOR FOUR (4) YEARS IMMEDIATELY PRECEDING THE DATE OF THIS CERTIFICATION; OR 80% OF THE OWNERSHIP INTEREST OF BIDDER IS HELD BY ANOTHER INDIVIDUAL, PARTNERSHIP, ASSOCIATION OR CORPORATION RESIDENT VENDOR WHO HAS MAINTAINED ITS HEADQUARTERS OR PRINCIPAL PLACE OF BUSINESS CONTINUOUSLY IN WEST VIRGINIA FOR FOUR (4) YEARS IMMEDIATELY PRECEDING THE DATE OF THIS CERTIFICATION; OR</p> <p><input type="checkbox"/> BIDDER IS A CORPORATION NONRESIDENT VENDOR WHICH HAS AN AFFILIATE OR SUBSIDIARY WHICH EMPLOYS A MINIMUM OF ONE HUNDRED STATE RESIDENTS AND WHICH HAS MAINTAINED ITS HEADQUARTERS OR PRINCIPAL PLACE OF BUSINESS WITHIN WEST VIRGINIA CONTINUOUSLY FOR THE</p>						

SEE REVERSE SIDE FOR TERMS AND CONDITIONS

SIGNATURE <i>Kevin Hayes</i>	TELEPHONE 304-344-2371	DATE 4-5-07
TITLE <i>Sales Rep</i>	FEIN 130774380001	ADDRESS CHANGES TO BE NOTED ABOVE

WHEN RESPONDING TO RFQ, INSERT NAME AND ADDRESS IN SPACE ABOVE LABELED 'VENDOR'



State of West Virginia
 Department of Administration
 Purchasing Division
 2019 Washington Street East
 Post Office Box 50130
 Charleston, WV 25305-0130

Request for Quotation

RFQ NUMBER
CABLE07

PAGE
6

ADDRESS CORRESPONDENCE TO ATTENTION OF:
BETTY FRANCISCO 304-558-0468

VENDOR

*709002526 304-344-2371
 GRAYBAR ELECTRIC COMPANY INC
 1010 YOUNG STREET
 CHARLESTON WV 25301

SHIP TO

ALL STATE AGENCIES
 AND POLITICAL SUBDIVISIONS
 VARIOUS LOCALES AS INDICATED
 BY ORDER

DATE PRINTED	TERMS OF SALE	SHIP VIA	F.O.B.	FREIGHT TERMS
02/22/2007				

BID OPENING DATE: 04/05/2007 BID OPENING TIME 01:30PM

LINE	QUANTITY	UOP	CAT NO	ITEM NUMBER	UNIT PRICE	AMOUNT
<p>FOUR (4) YEARS IMMEDIATELY PRECEDING THE DATE OF THIS CERTIFICATION.</p> <p>B. APPLICATION IS MADE FOR 2.5% PREFERENCE FOR THE REASON CHECKED:</p> <p><input checked="" type="checkbox"/> BIDDER IS A RESIDENT VENDOR WHO CERTIFIES THAT, DURING THE LIFE OF THE CONTRACT, ON AVERAGE AT LEAST 75% OF THE EMPLOYEES WORKING ON THE PROJECT BEING BID ARE RESIDENTS OF WEST VIRGINIA WHO HAVE RESIDED IN THE STATE CONTINUOUSLY FOR THE TWO YEARS IMMEDIATELY PRECEDING SUBMISSION OF THIS BID;</p> <p>OR</p> <p><input type="checkbox"/> BIDDER IS A NONRESIDENT VENDOR EMPLOYING A MINIMUM OF ONE HUNDRED STATE RESIDENTS OR IS A NONRESIDENT VENDOR WITH AN AFFILIATE OR SUBSIDIARY WHICH MAINTAINS ITS HEADQUARTERS OR PRINCIPAL PLACE OF BUSINESS WITHIN WEST VIRGINIA EMPLOYING A MINIMUM OF ONE HUNDRED STATE RESIDENTS WHO CERTIFIES THAT, DURING THE LIFE OF THE CONTRACT, ON AVERAGE AT LEAST 75% OF THE EMPLOYEES OR BIDDERS' AFFILIATE'S OR SUBSIDIARY'S EMPLOYEES ARE RESIDENTS OF WEST VIRGINIA WHO HAVE RESIDED IN THE STATE CONTINUOUSLY FOR THE TWO YEARS IMMEDIATELY PRECEDING SUBMISSION OF THIS BID.</p> <p>BIDDER UNDERSTANDS IF THE SECRETARY OF TAX & REVENUE DETERMINES THAT A BIDDER RECEIVING PREFERENCE HAS FAILED TO CONTINUE TO MEET THE REQUIREMENTS FOR SUCH PREFERENCE, THE SECRETARY MAY ORDER THE DIRECTOR OF PURCHASING TO: (A) RESCIND THE CONTRACT OR PURCHASE ORDER ISSUED; OR (B) ASSESS A PENALTY AGAINST SUCH BIDDER IN AN AMOUNT NOT TO EXCEED 5% OF THE BID AMOUNT AND THAT SUCH PENALTY WILL BE PAID TO THE CONTRACTING AGENCY OR DEDUCTED FROM ANY UNPAID BALANCE ON THE CONTRACT OR PURCHASE ORDER.</p>						

SEE REVERSE SIDE FOR TERMS AND CONDITIONS			
SIGNATURE	TELEPHONE	DATE	
<i>Kevin Hayes</i>	304-344-2371	4-5-07	
TITLE	FEIN	ADDRESS CHANGES TO BE NOTED ABOVE	
<i>Sales Rep</i>	130794380001		

WHEN RESPONDING TO RFQ, INSERT NAME AND ADDRESS IN SPACE ABOVE LABELED 'VENDOR'



State of West Virginia
 Department of Administration
 Purchasing Division
 2019 Washington Street East
 Post Office Box 50130
 Charleston, WV 25305-0130

Request for Quotation

RFQ NUMBER
CABLE07

PAGE
7

ADDRESS CORRESPONDENCE TO ATTENTION OF:
BETTY FRANCISCO
304-558-0468

VENDOR

*709002526 304-344-2371
GRAYBAR ELECTRIC COMPANY INC
1010 YOUNG STREET

CHARLESTON WV 25301

SHIP TO

ALL STATE AGENCIES
AND POLITICAL SUBDIVISIONS
VARIOUS LOCALES AS INDICATED
BY ORDER

DATE PRINTED	TERMS OF SALE	SHIP VIA	F.O.B.	FREIGHT TERMS
02/22/2007				

BID OPENING DATE: **04/05/2007** BID OPENING TIME **01:30PM**

LINE	QUANTITY	UOP	CAT NO	ITEM NUMBER	UNIT PRICE	AMOUNT
<p>BY SUBMISSION OF THIS CERTIFICATE, BIDDER AGREES TO DISCLOSE ANY REASONABLY REQUESTED INFORMATION TO THE PURCHASING DIVISION AND AUTHORIZES THE DEPARTMENT OF TAX AND REVENUE TO DISCLOSE TO THE DIRECTOR OF PURCHASING APPROPRIATE INFORMATION VERIFYING THAT BIDDER HAS PAID THE REQUIRED BUSINESS TAXES, PROVIDED THAT SUCH INFORMATION DOES NOT CONTAIN THE AMOUNTS OF TAXES PAID NOR ANY OTHER INFORMATION DEEMED BY THE TAX COMMISSIONER TO BE CONFIDENTIAL.</p> <p>UNDER PENALTY OF LAW FOR FALSE SWEARING (WEST VIRGINIA CODE 61-5-3), BIDDER HEREBY CERTIFIES THAT THIS CERTIFICATE IS TRUE AND ACCURATE IN ALL RESPECTS; AND THAT IF A CONTRACT IS ISSUED TO BIDDER AND IF ANYTHING CONTAINED WITHIN THIS CERTIFICATE CHANGES DURING THE TERM OF THE CONTRACT, BIDDER WILL NOTIFY THE PURCHASING DIVISION IN WRITING IMMEDIATELY.</p> <p>BIDDER: <u>GRAYBAR ELECTRIC CO. Inc.</u></p> <p>DATE: <u>4-5-07</u></p> <p>SIGNED: <u>Kevin Hyatt</u></p> <p>TITLE: <u>Sales Rep</u></p> <p>* CHECK ANY COMBINATION OF PREFERENCE CONSIDERATION(S) IN EITHER "A" OR "B", OR BOTH "A" AND "B" WHICH YOU ARE ENTITLED TO RECEIVE. YOU MAY REQUEST UP TO THE MAXIMUM 5% PREFERENCE FOR BOTH "A" AND "B". (REV. 12/00)</p>						

SEE REVERSE SIDE FOR TERMS AND CONDITIONS

SIGNATURE <u>Kevin Hyatt</u>	TELEPHONE <u>304-344-2371</u>	DATE <u>4-5-07</u>
TITLE <u>Sales Rep</u>	FEIN <u>138794380001</u>	ADDRESS CHANGES TO BE NOTED ABOVE

WHEN RESPONDING TO RFQ, INSERT NAME AND ADDRESS IN SPACE ABOVE LABELED 'VENDOR'



State of West Virginia
 Department of Administration
 Purchasing Division
 2019 Washington Street East
 Post Office Box 50130
 Charleston, WV 25305-0130

Request for Quotation

RFQ NUMBER
CABLE07

PAGE
8

ADDRESS CORRESPONDENCE TO ATTENTION OF:
BETTY FRANCISCO 304-558-0468

VENDOR

*709002526 304-344-2371
 GRAYBAR ELECTRIC COMPANY INC
 1010 YOUNG STREET
 CHARLESTON WV 25301

SHIP TO

ALL STATE AGENCIES
 AND POLITICAL SUBDIVISIONS
 VARIOUS LOCALES AS INDICATED
 BY ORDER

DATE PRINTED	TERMS OF SALE	SHIP VIA	F.O.B.	FREIGHT TERMS
02/22/2007				

BID OPENING DATE: 04/05/2007 BID OPENING TIME 01:30PM

LINE	QUANTITY	UOP	CAT NO.	ITEM NUMBER	UNIT PRICE	AMOUNT
<p>NOTICE</p> <p>A SIGNED BID MUST BE SUBMITTED TO:</p> <p>DEPARTMENT OF ADMINISTRATION PURCHASING DIVISION BUILDING 15 2019 WASHINGTON STREET, EAST CHARLESTON, WV 25305-0130</p> <p>THE BID SHOULD CONTAIN THIS INFORMATION ON THE FACE OF THE ENVELOPE OR THE BID MAY NOT BE CONSIDERED:</p> <p>SEALED BID</p> <p>BUYER: FILE 42-----</p> <p>RFQ. NO.: CABLE07-----</p> <p>BID OPENING DATE: 04/05/2007--</p> <p>BID OPENING TIME: 1:30PM-----</p> <p>PLEASE PROVIDE A FAX NUMBER IN CASE IT IS NECESSARY TO CONTACT YOU REGARDING YOUR BID: ----- 304-344-0324 -----</p> <p>CONTACT PERSON (PLEASE PRINT CLEARLY):</p>						

SEE REVERSE SIDE FOR TERMS AND CONDITIONS			
SIGNATURE <i>Kevin Hays</i>	TELEPHONE 304-344-2371	DATE 4-5-07	
TITLE <i>Sales Rep</i>	FEIN 130794380051	ADDRESS CHANGES TO BE NOTED ABOVE	

WHEN RESPONDING TO RFQ, INSERT NAME AND ADDRESS IN SPACE ABOVE LABELED 'VENDOR'



State of West Virginia
 Department of Administration
 Purchasing Division
 2019 Washington Street East
 Post Office Box 50130
 Charleston, WV 25305-0130

Request for Quotation

RFQ NUMBER
CABLE07

PAGE
9

ADDRESS CORRESPONDENCE TO ATTENTION OF:
BETTY FRANCISCO
304-558-0468

VENDOR

***709002526 304-344-2371**
GRAYBAR ELECTRIC COMPANY INC
1010 YOUNG STREET

CHARLESTON WV 25301

SHIP TO

ALL STATE AGENCIES
AND POLITICAL SUBDIVISIONS
VARIOUS LOCALES AS INDICATED
BY ORDER

DATE PRINTED	TERMS OF SALE	SHIP VIA	F.O.B.	FREIGHT TERMS
02/22/2007				

BID OPENING DATE: **04/05/2007** BID OPENING TIME **01:30PM**

LINE	QUANTITY	UOP	CAT NO	ITEM NUMBER	UNIT PRICE	AMOUNT
----- KEVIN HYPES -----						
***** THIS IS THE END OF RFQ CABLE07 ***** TOTAL:						\$1,185,490.61

SEE REVERSE SIDE FOR TERMS AND CONDITIONS

SIGNATURE <i>Kevin Hypes</i>	TELEPHONE 304-344-2371	DATE 4-5-07
TITLE <i>Sales Rep</i>	FEIN 130794380001	ADDRESS CHANGES TO BE NOTED ABOVE

WHEN RESPONDING TO RFQ, INSERT NAME AND ADDRESS IN SPACE ABOVE LABELED 'VENDOR'

CABLE07
Specifications/Information

The Purchasing Division is soliciting quotations from qualified vendors for the Office of Technology Division of the Department of Administration to establish a blanket open-end statewide contract to provide computer data cable (copper/fiber) and fittings for all West Virginia State agencies and participating political subdivisions.

*******IMPORTANT – IMPORTANT – IMPORTANT*******

WRITTEN QUESTIONS MUST BE RECEIVED NO LATER THAN CLOSE OF BUSINESS ON _____

Questions may be sent via fax, e-mail, USPS, or courier and must be sent to:

Jo Ann Adkins
Purchasing Division
2019 Washington Street, East
P.O. Box 50130
Charleston, WV 25311
304-747-5111 (Fax)
joadkins@wvadmin.gov (E-mail)

Only bid submission questions will be accepted after that date and time.

Mandatory Pre-Bid Meeting

A mandatory pre-bid meeting will be held _____ in the Purchasing Division Conference Room located at 2019 Washington Street, East (Capitol Complex - Building 15), Charleston, WV 25305. Any vendor who wishes to bid on this commodity must be represented at the pre-bid meeting. Failure to attend will automatically disqualify vendor. No one person may represent more than one bidder.

Materials List/Pricing Pages

The pricing pages contain a list of all the materials to be covered by the contract. This list shows the estimated usage of materials that will be available through the contract. No future use of contract is guaranteed or implied. These pricing pages must be completed by each bidder. For the items that are presently used by various state agencies throughout the entire state, the specific part number is the only acceptable solution. No substitution shall be permitted on any item that indicates "NS". A vendor should bid on all items listed on the attached pricing pages. Vendor must indicate brand bid for all items.

CABLE07
Specifications/Information

An electronic version of the pricing pages will be supplied to vendors after the pre-bid meeting. Bidders are requested to submit an electronic version of the excel document and return with bid. Additionally, bidders are also requested to include original printed document with the Purchasing Division original package. If any deviation exists between the electronic version and the printed version, the printed one submitted shall prevail.

Bidders should sign and complete the contract coordinator information at the end of the pricing pages.

Contract shall be a single award to the lowest-cost vendor with the most complete bid.

Prices bid are firm for 120 days from the effective date of the contract; a price adjustment will be considered after that time if vendor can provide proper documentation to substantiate any requested increase. Such price increases shall be restricted to strictly "pass through" increases. No blanket percentage increases shall be permitted. Successful vendor may request such pass-through increases; Purchasing Division shall either accept or reject and re-bid the commodity.

Terms and Conditions

I. Delivery

1. The cost per item (supplied by the vendor) must include delivery to the building dock and/or loading area designated by the ordering state agency.
2. All materials ordered in Charleston, or any destination point in between Charleston-Huntington, Charleston-Beckley, Charleston-Parkersburg, and or Charleston-Clarksburg by any other agency other than the Office of Technology, must be delivered within 5 business days after receipt of the order.
3. All materials ordered by the Office of Technology must be delivered to One Davis Square and/or the Capitol Complex in the following timeframes after the receipt of the order (the exact delivery location will be provided when the order is placed):
 - a) If total for materials ordered is \$1,000 or below – delivery must be within two (2) business hours;
 - b) If total for materials ordered is greater than \$1,000, but less than \$5,000 –delivery must be within two (2) business days;
 - c) If total for materials ordered is greater than \$5,000 – delivery must be within five (5) business days.

CABLE07
Specifications/Information

4. If an ordering agency requests delivery of materials to another "inside" area of the building other than the dock and/or loading area, the vendor shall supply a cost (including an explanation of how this cost was calculated) on the pricing pages to complete this "inside" delivery. For example, if DNR orders a cabinet through the contract and they request and pay for "inside delivery" to their 8th floor closet, then the vendor/delivery company will be responsible for delivery of the cabinet to the 8th floor closet and not be permitted to simply deliver the cabinet to the building loading dock.

II. Subcontracts /Joint Ventures

The vendor is solely responsible for all work performed under the contract and shall assume responsibility for all items offered to be delivered under the terms of this contract. The State will consider the vendor to be the sole point of contact with regard to all contractual matters.

III. Vendor Reporting

The vendor must provide a quarterly report of purchases to the Office of Technology, with a copy to Purchasing, showing the following items:

1. Name of the ordering state agency;
2. Materials ordered; and
3. Total cost expended for that quarter.

The report shall be delivered to the Office of Technology and the Purchasing Division no later than the fifteenth day of the month following each quarter period. The vendor shall also provide IS&C and Purchasing an annual report with this same information, to be delivered at the end of each fiscal year. Failure to submit such reports may be grounds for contract termination.

V. Convenience Copy

Bidders are requested to include one (1) convenience hard copy and one (1) convenience CD that contain the information included on the hard copies of the entire bid (including pricing pages) to the Purchasing Division. This convenience copy is in addition to the original hard copy and electronic version of the pricing pages as requested by the Purchasing Division.

CABLE07 - PRICING PAGE

APPROXIMATE USAGE 2006

ITEM NUM.	Quantity	Unit	Description	No Substitution	Unit Price	Extension Price
1	50	EA	PLASTIC CABLE TIES; 7 15/16" IN LENGTH, 100PK 3-M PART # 3-M06226 OR EQUAL IDEAL B-8-50-9-C		\$1.79000	\$89.50
2	200	EA	VELCRO TYRAP WIRE TIES; 8" IN LENGTH; HELLERMAN TYTON PART # GT50X80P2 OR EQUAL PANDUIT HI T2L-XO		\$0.49000	\$98.00
3	500	EA	CABLE SUPPORT J-HOOK; ERICO PART # CAT32 OR EQUAL BID ERICO		\$1.78000	\$890.00
4	200	EA	ELECTRICAL TAPE; 3-M SCOTCH SUPER 88 PART # 88-SUPER-3/4" X 66FT NO SUBSTITUTE BID 3M	NS	\$3.65000	\$730.00
5	50	EA	3M MOLDABLE PUTTY STIX PART # 3M-MPS-2+ OR EQUAL BID 3M		\$11.12000	\$556.00
6	500	EA	WALL CADDIES; ERICO PART # MP-1 OR EQUAL BID ERICO		\$0.85000	\$425.00
7	500	EA	SINGLE GANG LOW VOLTAGE MOUNTING BRACKETS; ARLINGTON PART # LV-1 OR EQUAL BID ARLINGTON		\$0.74000	\$370.00
8	30	EA	3/4"W X 25YDS LONG BLACK VELCRO IN A ROLL VELCRO PART# 189645 OR EQUAL BID VELCRO		\$17.00000	\$510.00
9	10	EA	3M WIRE MARKER DISPENSER 0 THRU 9 ON A ROLL 3-M PART # STD-0-9 (FILLED) OR EQUAL PANDUIT PMDR-0-9		\$14.53000	\$145.30
10	30	EA	3M WIREMARKER NUMBER REFILL FOR STD-0-9 NUMBER 0 PART# SDR-0 OR EQUAL PANDUIT PMDR-0		\$1.45000	\$43.50
11	30	EA	3M WIREMARKER NUMBER REFILL FOR STD-0-9 NUMBER 1 PART# SDR-1 OR EQUAL PANDUIT PMDR-1		\$1.45000	\$43.50
12	30	EA	3M WIREMARKER NUMBER REFILL FOR STD-0-9 NUMBER 2 PART# SDR-2 OR EQUAL PANDUIT PMDR-2		\$1.45000	\$43.50
13	30	EA	3M WIREMARKER NUMBER REFILL FOR STD-0-9 NUMBER 3 PART# SDR-3 OR EQUAL PANDUIT PMDR-3		\$1.45000	\$43.50
14	30	EA	3M WIREMARKER NUMBER REFILL FOR STD-0-9 NUMBER 4 PART# SDR-4 OR EQUAL PANDUIT PMDR-4		\$1.45000	\$43.50
15	30	EA	3M WIREMARKER NUMBER REFILL FOR STD-0-9 NUMBER 5 PART# SDR-5 OR EQUAL PANDUIT PMDR-5		\$1.45000	\$43.50
16	30	EA	3M WIREMARKER NUMBER REFILL FOR STD-0-9 NUMBER 6 PART# SDR-6 OR EQUAL PANDUIT PMDR-6		\$1.45000	\$43.50
17	30	EA	3M WIREMARKER NUMBER REFILL FOR STD-0-9 NUMBER 7 PART# SDR-7 OR EQUAL PANDUIT PMDR 7		\$1.45000	\$43.50
18	30	EA	3M WIREMARKER NUMBER REFILL FOR STD-0-9 NUMBER 8 PART# SDR-8 OR EQUAL PANDUIT PMDR-8		\$1.45000	\$43.50
19	30	EA	3M WIREMARKER NUMBER REFILL FOR STD-0-9 NUMBER 9 PART# SDR-9 OR EQUAL PANDUIT PMDR-9		\$1.45000	\$43.50
20	1200	FT	GRAY SLOTTED FINGER DUCT SURFACE MT. 2" X 2" BASE ONLY 6FT LENGTHS HELLERMANN TYTON PART# SL2X2G4 OR EQUAL PANDUIT E2X2LG6		\$1.46000	\$1,752.00
21	1200	FT	GRAY SLOTTED FINGER DUCT SURFACE MT. 4" X 2" BASE ONLY 6FT LENGTHS HELLERMANN TYTON PART# SL4X2G4 OR EQUAL PANDUIT E4X2LG6		\$2.26000	\$2,712.00
22	1200	FT	GRAY COVER FOR SLOTTED DUCT 2" WIDE 6FT LENGTHS HELLERMANN TYTON PART# TC2G4 OR EQUAL PANDUIT C2LG6		\$0.46000	\$552.00
23	1200	FT	GRAY COVER FOR SLOTTED DUCT 4" WIDE 6FT LENGTHS HELLERMANN TYTON PART# TC4G4 OR EQUAL PANDUIT C4LG6		\$0.85000	\$1,020.00
24	20	EA	PHILLIPS HEAD 3/4" LONG 10-32 RACK SCREWS W/WASHERS 100PK MIDDLE ATLANTIC PRODUCTS PART # HP OR EQUAL BID MIDDLE ATLANTIC		\$13.20000	\$264.00
25	20	EA	VERTICAL WIRE MANAGER FOR 19" OR 23" RELAY RACKS GREAT LAKES PART# 1984-VCM MOUNTING HARDWARE INCLUDED NO SUBSTITUTE BID GREAT LAKES		\$148.88000	\$2,977.60

CABLE07 - PRICING PAGE

APPROXIMATE USAGE 2006

ITEM NUM.	Quantity	Unit	Description	No Substitution	Unit Price	Extension Price
26	20	EA	VERTICAL WIRE MANAGER FOR 19" OR 23" RELAY RACKS CHATSWORTH PART# 12096-703 MOUNTING HARDWARE INCLUDED NO SUBSTITUTE BID CHATSWORTH	NS	\$237.68000	\$4,753.60
27	20	EA	VERTICAL WIRE MANAGER FOR 19" OR 23" RELAY RACKS AFCO SYSTEMS PART# ASTCTRG84 MOUNTING HARWARE INCLUDED NO SUBSTITUTE BID AFCO	NS	\$286.00000	\$5,720.00
28	20	EA	VERTICAL WIRE MANAGER FOR 19" OR 23" RELAY RACKS SOUTHWEST PART# SWE2729BLK MOUNTING HARDWARE INCLUDED NO SUBSTITUTE BID SOUTHWEST	NS	\$190.00000	\$3,800.00
29	40	EA	DISTRIBUTION RACKS; ALUMINUM BASE COLOR OF BLACK MUST BE APPROXIMATELY 15" IN DEPTH; APPROXIMATELY 20" IN WIDTH; & 84" HEIGHT GREAT LAKES PART# GLRR-1984BA NO SUBSTITUTE BID GREAT LAKES	NS	\$99.00000	\$3,960.00
30	40	EA	DISTRIBUTION RACKS; ALUMINUM BASE COLOR OF BLACK MUST BE APPROXIMATELY 15" IN DEPTH; APPROXIMATELY 20" IN WIDTH; & 84" HEIGHT. CHATSWORTH PART# 46353-703 NO SUBSTITUTE BID CHATSWORTH	NS	\$182.52000	\$7,300.80
31	10	EA	48" WALL MOUNT SWING OUT RACK; GREAT LAKES PART # GL48SR NO SUBSTITUTE BID GREAT LAKES	NS	\$143.00000	\$1,430.00
32	10	EA	36" WALL MOUNT SWING OUT RACK; GREAT LAKES PART # GL36SR NO SUBSTITUTE BID GREAT LAKES	NS	\$132.00000	\$1,320.00
33	10	EA	24" WALL MOUNT SWING OUT RACK; GREAT LAKES PART # GL24SR NO SUBSTITUTE BID GREAT LAKES	NS	\$121.00000	\$1,210.00
34	10	EA	84" NETWORKING CABINET; CABINET WILL INCLUDE THE FOLLOWING; CASTERS, LEVELERS, GROUND LUG, TWO PAIR SQUARE HOLE RAILS, M6 HARDWARE, BOTTOM GLAND, TOP GLAND, 10IN FAN TOP, PERFORATED FRONT DOOR, PERFORATED REAR DOOR, TWO SOLID SIDE PANELS, TWO 9411-1602 POWER STRIPS INTERNAL 8729-PD 3 FRONT, 8429-PR-3-0001 SPOTWELDED REAR TWO 8436-01- SP-3 SIDES. PART# XDP84-3-1S0046 NO SUBSTITUTE BID X-MARK/CDT	NS	\$2,212.00000	\$22,120.00
35	10	EA	72" NETWORKING CABINET; CABINET WILL INCLUDE THE FOLLOWING; CASTERS, LEVELERS, GROUND LUG, TWO PAIR SQUARE HOLE RAILS, M6 HARDWARE, BOTTOM GLAND, TOP GLAND, 10IN FAN TOP, PERFORATED FRONT DOOR, PERFORATED REAR DOOR, TWO SOLID SIDE PANELS, TWO 9411-1602 POWER STRIPS INTERNAL 8729-PD 3 FRONT, 8429-PR-3-0001 SPOTWELDED REAR TWO 8436-01- SP-3 SIDES. PART# XDP72-3-1S0012 NO SUBSTITUTE BID X-MARK/CDT	NS	\$1,977.00000	\$19,770.00
36	10	EA	84" NETWORKING CABINET; BASE UNIT WITH LOUVERED TOP; PLEXIGLAS FRONT DOOR W/LOCK; UPPER HALF LOUVERED STEEL REAR DOOR W/LOCK; SOLID REMOVABLE SIDE PANELS; TWO PAIR 19" MOUNTING RAILS W/BRACKETS & MOUNTING SCREWS; COLOR BLACK OR GREY; 16 POSITION POWER STRIP W / CIRCUIT BREAKER & 12' CORD; CASTERS; 84"H X 29" W X 36" D; GREAT LAKES PART # 840E-2936WVCC NO SUBSTITUTE BID GREAT LAKES	NS	\$1,589.00000	\$15,890.00

CABLE07 - PRICING PAGE

APPROXIMATE USAGE 2006

ITEM NUM.	Quantity	Unit	Description	No Substitution	Unit Price	Extension Price
37	10	EA	72" NETWORKING CABINET; BASE UNIT WITH LOUVERED TOP; PLEXIGLAS FRONT DOOR W/LOCK; UPPER HALF LOUVERED STEEL REAR DOOR W/LOCK; PAIR OF SOLID REMOVABLE SIDE PANELS; TWO PAIR 19" MOUNTING RAILS W/BRACKETS & MOUNTING SCREWS; COLOR BLACK OR GREY; 16 POSITION POWER STRIP W / CIRCUIT BREAKER & 12' CORD; CASTERS; 72"H X 29" W X 36" D; GREAT LAKES PART # 720E-2936WVCC NO SUBSTITUTE BID GREAT LAKES	NS	\$1,386.00000	\$13,860.00
38	5	EA	48" NETWORKING CABINET; BASE UNIT WITH LOUVERED TOP; PLEXIGLAS FRONT DOOR W/LOCK; UPPER HALF LOUVERED STEEL REAR DOOR W/LOCK; PAIR OF SOLID REMOVABLE SIDE PANELS; TWO PAIR 19" MOUNTING RAILS W/BRACKETS & MOUNTING SCREWS; COLOR BLACK OR GREY; 6 POSITION POWER STRIP W / CIRCUIT BREAKER & 12' CORD; CASTERS; 48"H X 24" W X 32" D; GREAT LAKES PART # 480E-2432WVCC NO SUBSTITUTE BID GREAT LAKES	NS	\$893.00000	\$4,465.00
39	10	EA	STATIONARY SHELVES FOR 19" MOUNTING IN NETWORKING CABINETS; GREAT LAKES PART # 7206-FM OR EQUAL BID GREAT LAKES		\$31.66000	\$316.60
40	20	EA	FAN ASSEMBLY W/FAN GUARDS & THREE 75 CFM FANS FOR NETWORKING CABINETS; GREAT LAKES PART # TPE-24F or TPE-29F NO SUBSTITUTE BID GREAT LAKES	NS	\$173.00000	\$3,460.00
41	1000	FT	RACEWAY MOLDING; ONE-PIECE; NON-METALLIC; 3/4" WIDTH; 6 FT. LENGTH; DEKDUCT PART # 043-LD00 NO SUBSTITUTE BID DEKDUCT	NS	\$0.54000	\$540.00
42	1000	FT	RACEWAY MOLDING; ONE-PIECE; NON-METALLIC; 1 1/2" WIDTH; 6 FT. LENGTH; DEKDUCT PART # 042-LD00 NO SUBSTITUTE BID DEKDUCT	NS	\$0.80000	\$800.00
43	1000	FT	RACEWAY MOLDING; ONE-PIECE; NON-METALLIC; 2 1/2" WIDTH; 6 FT. LENGTH; DEKDUCT PART # 045-LD00 NO SUBSTITUTE BID DEKDUCT	NS	\$1.68000	\$1,680.00
44	1000	FT	RACEWAY MOLDING; TWO-PIECE; NON-METALLIC; 4" WIDTH X 2" DEPTH; DEKDUCT PART # 046-4020DWP NO SUBSTITUTE BID DEKDUCT	NS	\$2.79000	\$2,790.00
45	20,000	FT	25 PAIR PLENUM CATEGORY 3 CABLE SUPERIOR ESSEX PART# 18-499-36 OR EQUAL BID MOHAWK		\$0.56847	\$11,369.40
46	20,000	FT	50 PAIR PLENUM CATEGORY 3 CABLE SUPERIOR ESSEX PART# 18-599-36 OR EQUAL BID MOHAWK		\$1.16840	\$23,368.00
47	20,000	FT	100 PAIR PLENUM CATEGORY 3 CABLE SUPERIOR ESSEX PART# 18-799-36 OR EQUAL BID MOHAWK		\$2.60100	\$52,020.00
48	100,000	FT	CAT. 5e MIN COMPLIANT PVC CABLE; NON-PLENUM; WHITE IN COLOR; 1,000 FT. PER REEL IN A BOX; MOHAWK PART # M57554 NO SUBSTITUTE BID MOHAWK	NS	\$0.08913	\$8,913.00
49	200,000	FT	CAT. 5e MIN COMPLIANT CABLE; PLENUM; WHITE IN COLOR; 1,000 FT. PER REEL IN A BOX; MOHAWK PART # M57547 NO SUBSTITUTE BID MOHAWK	NS	\$0.16847	\$33,694.00
50	3000	EA	QUICK PORT 8P8C MODULAR RJ45 JACKS FOR CAT5e MIN COMPLIANT; WHITE IN COLOR; LEVITON PART # 5G108-RW5 NO SUBSTITUTE BID LEVITON	NS	\$2.32000	\$6,960.00
51	200,000	FT	CAT. 5E ENHANCED CABLE; NON-PLENUM RISER RATED; REEL IN A BOX ONLY; 1000 FT. PER BOX; SELECTION OF COLORS SHALL BE AVAILABLE FOR OUTER JACKET; ELECTRICAL CHARACTERISTICS / SPECIFICATIONS SHEET MUST BE SUPPLIED. MEGALAN 400 MOHAWK PART# M56167 NO SUBSTITUTE BID MOHAWK	NS	\$0.10543	\$21,086.00

CABLE07 - PRICING PAGE

APPROXIMATE USAGE 2006

ITEM NUM.	Quantity	Unit	Description	No Substitution	Unit Price	Extension Price
52	300,000	FT	CAT. 5E ENHANCED CABLE; PLENUM; REEL IN A BOX ONLY; 1000 FT. PER BOX; SELECTION OF COLORS SHALL BE AVAILABLE FOR OUTER JACKET; ELECTRICAL CHARACTERISTICS / SPECIFICATIONS SHEET MUST BE SUPPLIED. MEGALAN 400 MOHAWK PART# M56168 NO SUBSTITUTE BID MOHAWK	NS	\$0.19891	\$59,673.00
53	3,000	EA	LEVITON QUICKPORT 8P8C MODULAR RJ45 JACKS FOR CAT5E ENHANCED; ORANGE IN COLOR; LEVITON PART # 5G110-RO5 NO SUBSTITUTE BID LEVITON	NS	\$2.90000	\$8,700.00
54	200	EA	CAT 5E ENHANCED 1FT CROSSOVER CABLE RED IN COLOR QUIKTRON PART # 553-130-001 OR EQUAL BID LYNN		\$1.42000	\$284.00
55	200	EA	CAT 5E ENHANCED 3FT CROSSOVER CABLE RED IN COLOR QUIKTRON PART# 553-130-003 OR EQUAL BID LYNN		\$0.64000	\$128.00
56	200	EA	CAT 5E ENHANCED 5FT CROSSOVER CABLE RED IN COLOR QUIKTRON PART# 553-130-005 OR EQUAL BID LYNN		\$0.73000	\$146.00
57	200	EA	CAT 5E ENHANCED 7FT CROSSOVER CABLE RED IN COLOR QUIKTRON PART# 553-130-007 OR EQUAL BID LYNN		\$0.81000	\$162.00
58	200	EA	CAT 5E ENHANCED 10FT CROSSOVER CABLE RED IN COLOR QUIKTRON PART# 553-130-010 OR EQUAL BID LYNN		\$1.36000	\$272.00
59	200	EA	CAT 5E ENHANCED 14FT CROSSOVER CABLE RED IN COLOR QUIKTRON PART# 553-130-014 OR EQUAL BID LYNN		\$1.78000	\$356.00
60	200	EA	CAT 5E ENHANCED 25FT CROSSOVER CABLE RED IN COLOR QUIKTRON PART# 553-130-025 OR EQUAL BID LYNN		\$3.22000	\$644.00
61	100	EA	CAT 5E ENHANCED 50FT CROSSOVER CABLE RED IN COLOR QUIKTRON PART# 553-130-050 OR EQUAL BID LYNN		\$9.43000	\$943.00
62	500	EA	CAT 5E ENHANCED 350MHZ PATCH CABLES; RJ45M TO RJ45M BOOTED; NON-KEYED; 1 FOOT LENGTH; SELECTION OF COLORS SHALL BE AVAILABLE FOR OUTER JACKET BID LYNN		\$0.59000	\$295.00
63	500	EA	CAT 5E ENHANCED 350MHZ PATCH CABLES; RJ45M TO RJ45M BOOTED; NON-KEYED; 18 INCHES IN LENGTH; SELECTION OF COLORS SHALL BE AVAILABLE FOR OUTER JACKET BID LYNN		\$1.75000	\$875.00
64	2000	EA	CAT. 5E GIGAMAX PATCH CABLES; RJ45M TO RJ45M BOOTED; NON-KEYED; 3 FOOT LENGTH; LEVITON PART# 5G460-03* * - COLOR NO SUBSTITUTE BID LEVITON	NS	\$2.00000	\$4,000.00
65	1000	EA	CAT. 5E GIGAMAX PATCH CABLES; RJ45M TO RJ45M BOOTED; NON-KEYED; 5 FOOT LENGTH; LEVITON PART# 5G460-05* * - COLOR NO SUBSTITUTION BID LEVITON	NS	\$2.36000	\$2,360.00
66	2000	EA	CAT. 5E GIGAMAX PATCH CABLES; RJ45M TO RJ45M BOOTED; NON-KEYED; 7 FOOT LENGTH; LEVITON PART# 5G460-07* * - COLOR NO SUBSTITUTION BID LEVITON	NS	\$2.73000	\$5,460.00
67	1000	EA	CAT. 5E GIGAMAX PATCH CABLES; RJ45M TO RJ45M BOOTED; NON-KEYED; 10 FOOT LENGTH; LEVITON PART# 5G460-10* * - COLOR NO SUBSTITUTION BID LEVITON	NS	\$3.27000	\$3,270.00
68	1000	EA	CAT. 5E GIGAMAX PATCH CABLES; RJ45M TO RJ45M BOOTED; NON-KEYED; 15 FOOT LENGTH; LEVITON PART# 5G460-15* * - COLOR NO SUBSTITUTION BID LEVITON	NS	\$4.18000	\$4,180.00
69	500	EA	CAT. 5E ENHANCED 350MHZ PATCH CABLES; RJ45M TO RJ45M BOOTED; NON-KEYED; 25 FOOT LENGTH; SELECTION OF COLORS SHALL BE AVAILABLE FOR OUTER JACKET BID LYNN		\$3.23000	\$1,615.00

CABLE07 - PRICING PAGE

APPROXIMATE USAGE 2006

ITEM NUM.	Quantity	Unit	Description	No Substitution	Unit Price	Extension Price
70	100	EA	CAT 5E ENHANCED 350MHZ PATCH CABLES; RJ45M TO RJ45M BOOTED; NON-KEYED; 50 FOOT LENGTH; SELECTION OF COLORS SHALL BE AVAILABLE FOR OUTER JACKET BID LYNN		\$5.75000	\$575.00
71	100	EA	CAT. 5E ENHANCED 350MHZ PATCH CABLES; RJ45M TO RJ45M BOOTED; NON-KEYED; 100 FOOT LENGTH; SELECTION OF COLORS SHALL BE AVAILABLE FOR OUTER JACKET BID LYNN		\$11.21000	\$1,121.00
72	50	EA	LEVITON QUICKPORT HIGH DENSITY 48-PORT PATCH PANEL W/CABLE MANAGEMENT BAR LEVITON PART# 49255-H48 NO SUBSTITUTE BID LEVITON	NS	\$43.36000	\$2,168.00
73	50	EA	LEVITON QUICKPORT HIGH DENSITY 24-PORT PATCH PANEL W/CABLE MANAGEMENT BAR LEVITON PART# 49255-H24 NO SUBSTITUTE BID LEVITON	NS	\$31.80000	\$1,590.00
74	100	EA	LEVITON 48-PORT 8P8C RJ45 CAT.5E RACKMOUNT PATCH PANEL; MUST BE CAT5E ENHANCED CERTIFIED; LEVITON PART# 5G596-U48; NO SUBSTITUTE BID LEVITON	NS	\$133.52000	\$13,352.00
75	100	EA	LEVITON 24-PORT 8P8C RJ45 CAT.5E RACKMOUNT PATCH PANEL; MUST BE CAT5E ENHANCED CERTIFIED; LEVITON PART # 5G596-U24; NO SUBSTITUTE BID LEVITON	NS	\$66.77000	\$6,677.00
76	50	EA	LEVITON 12-PORT 8P8C RJ45 CAT.5E RACKMOUNT PATCH PANEL; MUST BE CAT5E ENHANCED CERTIFIED; LEVITON PART # 5G596-U12; NO SUBSTITUTE BID LEVITON	NS	\$46.00000	\$2,300.00
77	50	EA	LEVITON 12-PORT 8P8C RJ45 CAT5E WALL MT. PATCH PANEL; MUST BE CAT5E ENHANCED CERTIFIED; LEVITON PART # 5G596-U89; NO SUBSTITUTE BID LEVITON	NS	\$39.50000	\$1,975.00
78	100	EA	SIEMON 48-PORT PATCH PANEL; MUST BE CAT.5E CERTIFIED; SIEMON #HD5-48 NO SUBSTITUTE BID SIEMON	NS	\$177.47000	\$17,747.00
79	50	EA	SIEMON 24-PORT PATCH PANEL; MUST BE CAT.5E CERTIFIED; SIEMON #HD5-24 NO SUBSTITUTE BID SIEMON	NS	\$88.73000	\$4,436.50
80	20	EA	SIEMON 16-PORT PATCH PANEL; MUST BE CAT.5E CERTIFIED; SIEMON #HD5-16 NO SUBSTITUTE BID SIEMON	NS	\$72.10000	\$1,442.00
81	20	EA	SIEMON 12-PORT PATCH PANEL; MUST BE CAT.5E CERTIFIED; SIEMON #HD5-89D-12 NO SUBSTITUTE BID SIEMON	NS	\$48.36000	\$967.20
82	200	EA	SIEMON RACK MT. 1U WIRE MANAGER PART# S110-RWM-01 NO SUBSTITUTE BID SIEMON	NS	\$17.36000	\$3,472.00
83	20	EA	SIEMON WIRE MANAGER; STANDARD INTERBAY CORD MANAGER; SIEMON WM-144-5 NO SUBSTITUTE BID SIEMON	NS	\$22.87000	\$457.40
84	20	EA	3-POSITION HINGED FIXED BRACKETS FOR WALL; DATATEL PART # HPM-2; NO SUBSTITUTE BID DATATEL	NS	\$26.00000	\$520.00
85	100	EA	WIRE MANAGER; STANDARD INTERBAY CORD MANAGER; DATATEL PART # HCM-1D NO SUBSTITUTE BID DATATEL	NS	\$19.47000	\$1,947.00
86	200,000	FT	CAT 6 ENHANCED CABLE; NON-PLENUM; REEL IN A BOX ONLY; 1,000 FT. PER BOX; SELECTION OF COLORS SHALL BE AVAILABLE FOR OUTER JACKET; ELECTRICAL CHARACTERISTICS / SPECIFICATIONS SHEET MUST BE SUPPLIED. CAT 6 ADVANCENET MOHAWK PART# M57202 NO SUBSTITUTE BID MOHAWK	NS	\$0.15108	\$30,216.00

CABLE07 - PRICING PAGE

APPROXIMATE USAGE 2006

ITEM NUM.	Quantity	Unit	Description	No Substitution	Unit Price	Extension Price
87	300,000	FT	CAT 6 ENHANCED CABLE; PLENUM; REEL IN A BOX ONLY; 1,000 FT. PER BOX; SELECTION OF COLORS SHALL BE AVAILABLE FOR OUTER JACKET; ELECTRICAL CHARACTERISTICS / SPECIFICATIONS SHEET MUST BE SUPPLIED. CAT 6 ADVANCENET MOHAWK PART# M57193 NO SUBSTITUTE BID MOHAWK	NS	\$0.32717	\$98,151.00
88	5000	EA	QUICKPORT CAT6 EXTREME 8P8C RJ45 SNAP-IN CONNECTOR; BLUE IN COLOR; LEVITON PART # 61110-RL6; NO SUBSTITUTE BID LEVITON	NS	\$4.16000	\$20,800.00
89	100	EA	CAT 6 EXTREME 1FT CROSSOVER CABLE RED IN COLOR QUIKTRON PART # 538-130-001 OR EQUAL BID LYNN		\$2.61000	\$261.00
90	200	EA	CAT 6 EXTREME 3FT CROSSOVER CABLE RED IN COLOR QUIKTRON PART # 538-130-003 OR EQUAL BID LYNN		\$2.97000	\$594.00
91	100	EA	CAT 6 EXTREME 5FT CROSSOVER CABLE RED IN COLOR QUIKTRON PART # 538-130-005 OR EQUAL BID LYNN		\$3.35000	\$335.00
92	200	EA	CAT 6 EXTREME 7FT CROSSOVER CABLE RED IN COLOR QUIKTRON PART # 538-130-007 OR EQUAL BID LYNN		\$3.72000	\$744.00
93	200	EA	CAT 6 EXTREME 10FT CROSSOVER CABLE RED IN COLOR QUIKTRON PART # 538-130-010 OR EQUAL BID LYNN		\$4.25000	\$850.00
94	200	EA	CAT 6 EXTREME 15FT CROSSOVER CABLE RED IN COLOR QUIKTRON PART # 538-130-015 OR EQUAL BID LYNN		\$5.15000	\$1,030.00
95	100	EA	CAT 6 EXTREME 25FT CROSSOVER CABLE RED IN COLOR QUIKTRON PART # 538-130-025 OR EQUAL BID LYNN		\$7.02000	\$702.00
96	50	EA	CAT 6 EXTREME 50FT CROSSOVER CABLE RED IN COLOR QUIKTRON PART # 538-130-050 OR EQUAL BID LYNN		\$11.64000	\$582.00
97	200	EA	CAT. 6 EXTREME 650MHZ PATCH CABLES; RJ45M TO RJ45M; NON-KEYED; 18 INCHES IN LENGTH; SELECTION OF COLORS SHALL BE AVAILABLE FOR OUTER JACKET BID LYNN		\$3.00000	\$600.00
98	200	EA	CAT. 6 EXTREME 650MHZ PATCH CABLES; RJ45M TO RJ45M; NON-KEYED; 1 FOOT LENGTH; SELECTION OF COLORS SHALL BE AVAILABLE FOR OUTER JACKET BID LYNN		\$1.39000	\$278.00
99	400	EA	CAT. 6 EXTREME PATCH CABLES; RJ45M TO RJ45M; NON-KEYED; 3 FOOT LENGTH; LEVITON PART # 62460-03* *-COLOR NO SUBSTITUTE BID LEVITON	NS	\$3.41000	\$1,364.00
100	400	EA	CAT. 6 EXTREME PATCH CABLES; RJ45M TO RJ45M; NON-KEYED; 5 FOOT LENGTH; LEVITON PART # 62460-05* *-COLOR NO SUBSTITUTE BID LEVITON	NS	\$3.86000	\$1,544.00
101	400	EA	CAT. 6 EXTREME PATCH CABLES; RJ45M TO RJ45M; NON-KEYED; 7 FOOT LENGTH; LEVITON PART # 62460-07* *-COLOR NO SUBSTITUTE BID LEVITON	NS	\$4.32000	\$1,728.00
102	200	EA	CAT. 6 EXTREME PATCH CABLES; RJ45M TO RJ45M; NON-KEYED; 10 FOOT LENGTH; LEVITON PART # 62460-10* *-COLOR NO SUBSTITUTE BID LEVITON	NS	\$5.00000	\$1,000.00
103	100	EA	CAT. 6 EXTREME PATCH CABLES; RJ45M TO RJ45M; NON-KEYED; 15 FOOT LENGTH; LEVITON PART # 62460-15* *-COLOR NO SUBSTITUTE BID LEVITON	NS	\$6.13000	\$613.00
104	50	EA	CAT. 6 EXTREME PATCH CABLES; RJ45M TO RJ45M; NON-KEYED; 20 FOOT LENGTH; LEVITON PART # 62460-20* *-COLOR NO SUBSTITUTE BID LEVITON	NS	\$7.27000	\$363.50

CABLE07 - PRICING PAGE

APPROXIMATE USAGE 2006

ITEM NUM.	Quantity	Unit	Description	No Substitution	Unit Price	Extension Price
105	50	EA	CAT. 6 EXTREME PATCH CABLES; RJ45M TO RJ45M; NON-KEYED; 50 FOOT LENGTH; SELECTION OF COLORS SHALL BE AVAILABLE FOR OUTER JACKET BID LYNN		\$7.00000	\$350.00
106	50	EA	LEVITON 48-PORT 8P8C RJ45 PATCH PANEL; MUST BE CAT. 6 ENHANCED CERTIFIED; LEVITON PART # 69586-U48 NO SUBSTITUTE BID LEVITON	NS	\$195.45000	\$9,772.50
107	50	EA	LEVITON 24-PORT 8P8C RJ45 PATCH PANEL; MUST BE CAT. 6 ENHANCED CERTIFIED; LEVITON PART # 69586-U24 NO SUBSTITUTE BID LEVITON	NS	\$99.21000	\$4,960.50
108	40	EA	LEVITON 12-PORT PATCH PANEL; MUST BE CAT. 6 ENHANCED CERTIFIED; LEVITON PART # 49255-H89 NO SUBSTITUTE BID LEVITON	NS	\$3.00000	\$120.00
109	50	EA	SIEMON 48-PORT PATCH PANEL; MUST BE CAT 6 CERTIFIED; SIEMON# HD6-24 NO SUBSTITUTE BID SIEMON	NS	\$110.92000	\$5,546.00
110	50	EA	SIEMON 24-PORT PATCH PANEL; MUST BE CAT 6 CERTIFIED; SIEMON# HD6-48 NO SUBSTITUTE BID SIEMON	NS	\$221.83000	\$11,091.50
111	1000	EA	2-PORT SURFACE MOUNT BOX; LEVITON PART # 41089-2*P *-COLOR NO SUBSTITUTE BID LEVITON	NS	\$0.97000	\$970.00
112	100	EA	4-PORT SURFACE MOUNT BOX; LEVITON PART # 41089-4*P *-COLOR NO SUBSTITUTE BID LEVITON	NS	\$1.84000	\$184.00
113	100	EA	SINGLE GANG IVORY BLANK WALL PLATE; LEVITON PART# 86014 OR EQUAL BID LEVITON		\$0.16000	\$16.00
114	100	EA	SINGLE GANG WHITE BLANK WALL PLATE; LEVITON PART# 88014 OR EQUAL BID LEVITON		\$0.16000	\$16.00
115	100	EA	QUICKPORT STAINLESS STEEL FLUSH WALLPHONE WALLPLATE; LEVITON PART# 4108W-0SP NO SUBSTITUTE BID LEVITON	NS	\$5.20000	\$520.00
116	500	EA	1-PORT WALLPLATES; LEVITON PART # 41080-1*P *-COLOR NO SUBSTITUTE BID LEVITON	NS	\$0.76000	\$380.00
117	1000	EA	2-PORT WALLPLATES; LEVITON PART # 41080-2*P *-COLOR NO SUBSTITUTE BID LEVITON	NS	\$0.76000	\$760.00
118	100	EA	3-PORT WALLPLATES; LEVITON PART # 41080-3*P *-COLOR NO SUBSTITUTE BID LEVITON	NS	\$0.76000	\$76.00
119	100	EA	4-PORT WALLPLATES; LEVITON PART # 41080-4*P *-COLOR NO SUBSTITUTE BID LEVITON	NS	\$0.76000	\$76.00
120	50	EA	6-PORT WALLPLATES; LEVITON PART # 41080-6*P *-COLOR NO SUBSTITUTE BID LEVITON	NS	\$0.76000	\$38.00
121	5000	FT	FIBER OPTIC CABLE 48-STRAND I/O MULTIMODE 62.5/125 OCC PART # DX048-105D-WLS/900-OFNR OR CORNING PART # 048KWF-T4130D20 NO SUBSTITUTE BID OCC OR CORNING BID CORNING	NS	\$2.75000	\$13,750.00
122	5000	FT	FIBER OPTIC CABLE 24-STRAND I/O MULTIMODE 62.5/125 OCC PART # DX024-085D-WLS/900-OFNR OR CORNING PART # 024K8F-31130-24 NO SUBSTITUTE BID OCC OR CORNING BID CORNING	NS	\$1.28000	\$6,400.00
123	5000	FT	FIBER OPTIC CABLE 12-STRAND I/O MULTIMODE 62.5/125 OCC PART # DX012-065D-WLS/900-OFNR OR CORNING PART # 012K8F-31130-24 NO SUBSTITUTE BID OCC OR CORNING BID CORNING	NS	\$0.86000	\$4,300.00

CABLE07 - PRICING PAGE

APPROXIMATE USAGE 2006

ITEM NUM.	Quantity	Unit	Description	No Substitution	Unit Price	Extension Price
124	5000	FT	FIBER OPTIC CABLE 6-STRAND I/O MULTIMODE 62.5/125 OCC PART # DX006-055D-WLS/900-OFNR OR CORNING PART # 006K8F-31130-24 NO SUBSTITUTE BID OCC OR CORNING BID CORNING	NS	\$0.45000	\$2,250.00
125	5000	FT	FIBER OPTIC CABLE 48-STRAND I/O PLENUM RATED MULTIMODE 62.5/125 OCC PART # DX048-095K-WLS/900-OFNP OR CORNING PART # 048KWP-T4130D20 NO SUBSTITUTE BID OCC OR CORNING BID CORNING	NS	\$3.75000	\$18,750.00
126	5000	FT	FIBER OPTIC CABLE 24-STRAND I/O PLENUM RATED MULTIMODE 62.5/125 OCC PART # DX24-075K-WLS/900/OFNP OR CORNING PART # 024K8P-31130-29 NO SUBSTITUTE BID OCC OR CORNING BID CORNING	NS	\$2.30000	\$11,500.00
127	5000	FT	FIBER OPTIC CABLE 12-STRAND I/O PLENUM RATED MULTIMODE 62.5/125 OCC PART # DX12-060K-WLS/900-OFNP OR CORNING PART # 012K8P-31130-29 NO SUBSTITUTE BID OCC OR CORNING BID CORNING	NS	\$1.21000	\$6,050.00
128	5000	FT	FIBER OPTIC CABLE 6-STRAND I/O PLENUM RATED MULTIMODE 62.5/125 OCC PART # DX06-045K-WLS/900-OFNP OR CORNING PART # 006K8P-31130-29 NO SUBSTITUTE BID OCC OR CORNING BID CORNING	NS	\$0.77000	\$3,850.00
129	5000	FT	FIBER OPTIC CABLE 48-STRAND INDOOR/OUTDOOR ARMORED MULTIMODE 62.5/125 OCC PART # DX48-105D-WLS/900-OFNR-IAD OR CORNING PART # 048KWF-T4130DA1 NO SUBSTITUTE BID OCC OR CORNING BID CORNING	NS	\$4.62000	\$23,100.00
130	5000	FT	FIBER OPTIC CABLE 24-STRAND INDOOR/OUTDOOR ARMORED MULTIMODE 62.5/125 OCC PART # DX24-085D-WLS/900-OFNR-IAD OR CORNING PART # 024K8F-31130-A1 NO SUBSTITUTE BID OCC OR CORNING BID CORNING	NS	\$3.01000	\$15,050.00
131	5000	FT	FIBER OPTIC CABLE 12-STRAND INDOOR/OUTDOOR ARMORED MULTIMODE 62.5/125 OCC PART # DX12-065D-WLS/900-OFNR-IAD OR CORNING PART # 012K8F-31130-A1 NO SUBSTITUTE BID OCC OR CORNING BID CORNING	NS	\$1.62000	\$8,100.00
132	5000	FT	FIBER OPTIC CABLE 6-STRAND INDOOR/OUTDOOR ARMORED MULTIMODE 62.5/125 OCC PART # DX06-055D-WLS/900-OFNR-IAD OR CORNING PART # 006K8F-31130-A1 NO SUBSTITUTE BID OCC OR CORNING BID CORNING	NS	\$1.19000	\$5,950.00
133	5000	FT	FIBER OPTIC CABLE 48-STRAND INDOOR/OUTDOOR ARMORED PLENUM COATED MULTIMODE 62.5/125 OCC PART # DX48-095K-WLS/900-OFNR-IAK OR CORNING PART # 048KWP-T4130DA1 NO SUBSTITUTE BID OCC OR CORNING BID CORNING	NS	\$5.93000	\$29,650.00
134	5000	FT	FIBER OPTIC CABLE 24-STRAND INDOOR/OUTDOOR ARMORED PLENUM COATED MULTIMODE 62.5/125 OCC PART # DX24-070K-WLS/900-OFNR-IAK OR CORNING PART # 024K8P-31130-A3 NO SUBSTITUTE BID OCC OR CORNING BID CORNING	NS	\$4.00000	\$20,000.00
135	5000	FT	FIBER OPTIC CABLE 12-STRAND INDOOR/OUTDOOR ARMORED PLENUM COATED MULTIMODE 62.5/125 OCC PART # DX12-060K-WLS/900-OFNR-IAK OR CORNING PART # 012K8P-31130-A3 NO SUBSTITUTE BID OCC OR CORNING BID CORNING	NS	\$1.97000	\$9,850.00
136	5000	FT	FIBER OPTIC CABLE 6-STRAND INDOOR/OUTDOOR ARMORED PLENUM COATED MULTIMODE 62.5/125 OCC PART # DX06-050K-WLS/900-OFNR-IAK OR CORNING PART # 006K8P-31130-A3 NO SUBSTITUTE BID OCC OR CORNING BID CORNING	NS	\$1.61000	\$8,050.00

CABLE07 - PRICING PAGE

APPROXIMATE USAGE 2006

ITEM NUM.	Quantity	Unit	Description	No Substitution	Unit Price	Extension Price
137	3000	FT	FIBER OPTIC CABLE 24-STRAND OUTDOOR AERIAL W / 1/4" MESSENGER MULTIMODE 62.5/125 OCC PART # MX24-095A-WLS/900-JGS OR CORNING PART # 024KWA-T4130D20 NO SUBSTITUTE BID OCC OR CORNING BID CORNING	NS	\$1.37000	\$4,110.00
138	3000	FT	FIBER OPTIC CABLE 12-STRAND OUTDOOR AERIAL W / 1/4" MESSENGER MULTIMODE 62.5/125 OCC PART # MX12-090A-WLS/900-JGS OR CORNING PART # 012KWA-T4130D20 NO SUBSTITUTE BID OCC OR CORNING BID CORNING	NS	\$0.97000	\$2,910.00
139	3000	FT	FIBER OPTIC CABLE 6-STRAND OUTDOOR AERIAL W / 1/4" MESSENGER MULTIMODE 62.5/125 OCC PART # MX06-090A-WLS/900-JGS OR CORNING PART # 006KWA-T4130D20 NO SUBSTITUTE BID OCC OR CORNING BID CORNING	NS	\$0.53000	\$1,590.00
140	3000	FT	FIBER OPTIC CABLE 48-STRAND INDOOR/OUTDOOR MULTIMODE 50/125 OCC PART # DX048-105D-ALS/900-OFNR OR CORNING PART # 048CWF-T4131D20 NO SUBSTITUTE BID OCC OR CORNING BID CORNING	NS	\$2.92000	\$8,760.00
141	3000	FT	FIBER OPTIC CABLE 24-STRAND INDOOR/OUTDOOR MULTIMODE 50/125 OCC PART # DX024-085D-ALS/900-OFNR OR CORNING PART # 024C8F-31131-24 NO SUBSTITUTE BID OCC OR CORNING BID CORNING	NS	\$1.43000	\$4,290.00
142	3000	FT	FIBER OPTIC CABLE 12-STRAND INDOOR/OUTDOOR MULTIMODE 50/125 OCC PART # DX012-065D-ALS/900-OFNR OR CORNING PART # 012C8F-31131-24 NO SUBSTITUTE BID OCC OR CORNING BID CORNING	NS	\$0.77000	\$2,310.00
143	3000	FT	FIBER OPTIC CABLE 6-STRAND INDOOR/OUTDOOR MULTIMODE 50/125 OCC PART # DX006-055D-ALS/900-OFNR OR CORNING PART # 006C8F-31131-24 NO SUBSTITUTE BID OCC OR CORNING BID CORNING	NS	\$0.42000	\$1,260.00
144	3000	FT	FIBER OPTIC CABLE 48-STRAND I/O PLENUM RATED MULTIMODE 50/125 OCC PART # DX048-095K-ALS/900-OFNP OR CORNING PART # 048CWP-T4131D20 NO SUBSTITUTE BID OCC OR CORNING BID CORNING	NS	\$3.11000	\$9,330.00
145	3000	FT	FIBER OPTIC CABLE 24-STRAND I/O PLENUM RATED MULTIMODE 50/125 OCC PART # DX024-070K-ALS/900-OFNP OR CORNING PART # 024C8P-31131-29 NO SUBSTITUTE BID OCC OR CORNING BID CORNING	NS	\$2.31000	\$6,930.00
146	3000	FT	FIBER OPTIC CABLE 12-STRAND I/O PLENUM RATED MULTIMODE 50/125 OCC PART # DX012-060K-ALS/900-OFNP OR CORNING PART # 012C8P-31131-29 NO SUBSTITUTE BID OCC OR CORNING BID CORNING	NS	\$0.99000	\$2,970.00
147	3000	FT	FIBER OPTIC CABLE 6-STRAND I/O PLENUM RATED MULTIMODE 50/125 OCC PART # DX006-045K-ALS/900-OFNP OR CORNING PART # 006C8P-31131-29 NO SUBSTITUTE BID OCC OR CORNING BID CORNING	NS	\$0.66000	\$1,980.00
148	3000	FT	FIBER OPTIC CABLE 48-STRAND I/O 50UM MULTIMODE ARMORED OCC PART # DX48-105D-ALS/900-OFNR-IAD OR CORNING PART # 048CWF-T4131DA1 NO SUBSTITUTE BID OCC OR CORNING BID CORNING	NS	\$3.85000	\$11,550.00

CABLE07 - PRICING PAGE

APPROXIMATE USAGE 2006

ITEM NUM.	Quantity	Unit	Description	No Substitution	Unit Price	Extension Price
149	3000	FT	FIBER OPTIC CABLE 24-STRAND I/O 50UM MULTIMODE ARMORED OCC PART # DX24-085D-ALS/900-OFNR-IAD OR CORNING PART # 024C8F-31131-A1 NO SUBSTITUTE BID OCC OR CORNING BID CORNING	NS	\$2.34000	\$7,020.00
150	3000	FT	FIBER OPTIC CABLE 12-STRAND I/O 50UM MULTIMODE ARMORED OCC PART# DX12-065D-ALS/900-OFNR-IAD OR CORNING PART # 012C8F-31131-A1 NO SUBSTITUTE BID OCC OR CORNING BID CORNING	NS	\$1.34000	\$4,020.00
151	3000	FT	FIBER OPTIC CABLE 6-STRAND I/O 50UM MULTIMODE ARMORED OCC PART # DX06-055D-ALS/900-OFNR-IAD OR CORNING PART # 006C8F-31131-A1 NO SUBSTITUTE BID OCC OR CORNING BID CORNING	NS	\$1.05000	\$3,150.00
152	3000	FT	FIBER OPTIC CABLE 48-STRAND INDOOR/OUTDOOR ARMORED PLENUM COATED 50UM MULTIMODE OCC PART # DX48-095K-ALS/900-OFNR-IAK OR CORNING PART # 048CWP-T4131DA1 NO SUBSTITUTE BID OCC OR CORNING BID CORNING	NS	\$5.27000	\$15,810.00
153	3000	FT	FIBER OPTIC CABLE 24-STRAND INDOOR/OUTDOOR ARMORED PLENUM COATED 50UM MULTIMODE OCC PART # DX24-070K-ALS/900-OFNR-IAK OR CORNING PART # 024C8P-31131-A3 NO SUBSTITUTE BID OCC OR CORNING BID CORNING	NS	\$3.25000	\$9,750.00
154	3000	FT	FIBER OPTIC CABLE 12-STRAND INDOOR/OUTDOOR ARMORED PLENUM COATED 50UM MULTIMODE OCC PART # DX12-060K-ALS/900-OFNR-IAK OR CORNING PART # 012C8P-31131-A3 NO SUBSTITUTE BID OCC OR CORNING BID CORNING	NS	\$2.13000	\$6,390.00
155	3000	FT	FIBER OPTIC CABLE 6-STRAND INDOOR/OUTDOOR ARMORED PLENUM COATED 50UM MULTIMODE OCC PART # DX06-050K-ALS/900-OFNR-IAK OR CORNING PART # 006C8P-31131-A3 NO SUBSTITUTE BID OCC OR CORNING BID CORNING	NS	\$1.79000	\$5,370.00
156	3000	FT	FIBER OPTIC CABLE 12-STRAND OUTDOOR AERIAL/DUCT MULTIMODE 50/125 OCC PART # DX012-075A-ALS/900 OR CORNING PART # 012CW4-T4131D20 NO SUBSTITUTE BID OCC OR CORNING BID CORNING	NS	\$0.63000	\$1,890.00
157	3000	FT	FIBER OPTIC CABLE 12-STRAND OUTDOOR AERIAL W/MESSENGER MULTIMODE 50/125 OCC PART # M12-090A-ALS/900-JGS OR CORNING PART # 012CWA-T4131D20 NO SUBSTITUTE BID OCC OR CORNING BID CORNING	NS	\$0.85000	\$2,550.00
158	3000	FT	FIBER OPTIC CABLE 24-STRAND I/O SINGLEMODE 9/125 OCC PART # DX24-085D-SLX/900-OFNR-WB OR CORNING PART # 024E8F-31131-24 NO SUBSTITUTE BID OCC OR CORNING BID CORNING	NS	\$0.74000	\$2,220.00
159	3000	FT	FIBER OPTIC CABLE 12-STRAND I/O SINGLEMODE 9/125 OCC PART # DX12-065D-SLX/900-OFNR-WB OR CORNING PART # 012E8F-31131-24 NO SUBSTITUTE BID OCC OR CORNING BID CORNING	NS	\$0.42000	\$1,260.00
160	3000	FT	FIBER OPTIC CABLE 6-STRAND I/O SINGLEMODE 9/125 OCC PART # DX06-055D-SLX/900-OFNR-WB OR CORNING PART # 006E8F-31131-24 NO SUBSTITUTE BID OCC OR CORNING BID CORNING	NS	\$0.27000	\$810.00
161	3000	FT	FIBER OPTIC CABLE 24-STRAND I/O PLENUM RATED SINGLEMODE 9/125 OCC PART # DX24-070K-SLX/900-OFNR-WB OR CORNING PART # 024E8P-31131-29 NO SUBSTITUTE BID OCC OR CORNING BID CORNING	NS	\$1.32000	\$3,960.00

CABLE07 - PRICING PAGE

APPROXIMATE USAGE 2006

ITEM NUM.	Quantity	Unit	Description	No Substitution	Unit Price	Extension Price
162	3000	FT	FIBER OPTIC CABLE 12-STRAND I/O PLENUM RATED SINGLEMODE 9/125 OCC PART # DX12-060K-SLX/900-OFNP-WB OR CORNING PART # 012E8P-31131-29 NO SUBSTITUTE BID OCC OR CORNING BID CORNING	NS	\$0.60000	\$1,800.00
163	3000	FT	FIBER OPTIC CABLE 6-STRAND I/O PLENUM RATED SINGLEMODE 9/125 OCC PART # DX06-045K-SLX/900-OFNP-WB OR CORNING PART # 006E8P-31131-29 NO SUBSTITUTE BID OCC OR CORNING BID CORNING	NS	\$0.45000	\$75.15
164	3000	FT	FIBER OPTIC CABLE 24-STRAND I/O ARMORED SINGLEMODE 9/125 OCC PART # DX24-085D-SLX/900-OFNR-IAD OR CORNING PART # 024E8F-31131-A1 NO SUBSTITUTE BID OCC OR CORNING BID CORNING	NS	\$1.88000	\$313.96
165	3000	FT	FIBER OPTIC CABLE 12-STRAND I/O ARMORED SINGLEMODE 9/125 OCC PART # DX12-070D-SLX/900-OFNR-IAD OR CORNING PART # 012E8F-31131-A1 NO SUBSTITUTE BID OCC OR CORNING BID CORNING	NS	\$1.18000	\$3,540.00
166	3000	FT	FIBER OPTIC CABLE 6-STRAND I/O ARMORED SINGLEMODE 9/125 OCC PART # DX06-060D-SLX/900-OFNR-IAD OR CORNING PART # 006E8F-31131-A1 NO SUBSTITUTE BID OCC OR CORNING BID CORNING	NS	\$0.99000	\$2,970.00
167	3000	FT	FIBER OPTIC CABLE 24-STRAND I/O ARMORED PLENUM RATED SINGLEMODE 9/125 OCC PART # DX24-070K-SLX/900-OFNR-IAK OR CORNING PART # 024E8P-31131-A3 NO SUBSTITUTE BID OCC OR CORNING BID CORNING	NS	\$2.71000	\$8,130.00
168	3000	FT	FIBER OPTIC CABLE 12-STRAND I/O ARMORED PLENUM RATED SINGLEMODE 9/125 OCC PART # DX12-060K-SLX/900-OFNR-IAK OR CORNING PART # 012E8P-31131-A3 NO SUBSTITUTE BID OCC OR CORNING BID CORNING	NS	\$1.79000	\$5,370.00
169	3000	FT	FIBER OPTIC CABLE 6-STRAND I/O ARMORED PLENUM RATED SINGLEMODE 9/125 OCC PART # DX06-050K-SLX/900-OFNR-IAK OR CORNING PART # 006E8P-31131-A3 NO SUBSTITUTE BID OCC OR CORNING BID CORNING	NS	\$1.59000	\$4,770.00
170	2000	FT	OCC FIBER OPTIC HYBRID CABLE 96 FIBER ARMORED PLENUM COATED (48 STRAND MULTI-MODE 50/125 & 48 STRAND SINGLEMODE 9/125) OCC PART# DX96-140K-48ALS-48SLX/900-OFNR-IAK NO SUBSTITUTE BID OCC BID CORNING	NS	\$9.79000	\$19,580.00
171	2000	FT	FIBER OPTIC HYBRID CABLE 48 FIBER ARMORED PLENUM COATED (24 STRAND MULTI-MODE 50/125 & 24 STRAND SINGLEMODE 9/125) OCC PART # DX48-095K-24ALS-24SLX/900-OFNR-IAK OR CORNING PART # 048XWP-T41XXD20 NO SUBSTITUTE BID OCC OR CORNING BID CORNING	NS	\$3.56000	\$7,120.00
172	2000	FT	FIBER OPTIC HYBRID CABLE 24 FIBER ARMORED PLENUM COATED (12 STRAND MULTI-MODE 50/125 & 12 STRAND SINGLEMODE 9/125) OCC PART # DX24-075K-12ALS-12SLX/900-OFNR-IAK OR CORNING PART # 024X8P-311XX-A3 NO SUBSTITUTE BID OCC OR CORNING BID CORNING	NS	\$3.26000	\$6,520.00
173	2000	EA	SIECOR SC MM 62.5UM CONNECTORS, PART # 95-000-40 NO SUBSTITUTE BID SIECOR	NS	\$6.72000	\$13,440.00
174	1000	EA	SIECOR ST MM 62.5UM CONNECTORS, PART # 95-000-50 NO SUBSTITUTE BID SIECOR	NS	\$6.72000	\$6,720.00
175	500	EA	SIECOR SC MM 50UM CONNECTORS, PART# 95-050-41 NO SUBSTITUTE BID SIECOR	NS	\$8.67000	\$4,335.00

CABLE07 - PRICING PAGE

APPROXIMATE USAGE 2006

ITEM NUM.	Quantity	Unit	Description	No Substitution	Unit Price	Extension Price
176	500	EA	SIECOR ST MM 50UM CONNECTORS, PART# 95-050-51 NO SUBSTITUTE BID SIECOR	NS	\$8.67000	\$4,335.00
177	500	EA	SIECOR SC SM CONNECTORS, PART# 95-200-41 NO SUBSTITUTE BID SIECOR	NS	\$10.18000	\$5,090.00
178	500	EA	SIECOR ST SM CONNECTORS, PART# 95-200-51 NO SUBSTITUTE BID SIECOR	NS	\$10.18000	\$5,090.00
179	20	EA	SIGNAMAX 1U RACKMOUNT FIBER ENCLOSURE SIGNAMAX PART# SL2M-B NO SUBSTITUTE BID SIGNAMAX	NS	\$62.67000	\$1,253.40
180	20	EA	SIGNAMAX 2U RACKMOUNT FIBER ENCLOSURE SIGNAMAX PART# UFE4-B NO SUBSTITUTE BID SIGNAMAX	NS	\$116.25000	\$2,325.00
181	20	EA	SIGNAMAX 3U RACKMOUNT FIBER ENCLOSURE SIGNAMAX PART# UFE6-B NO SUBSTITUTE BID SIGNAMAX	NS	\$136.46000	\$2,729.20
182	20	EA	SIGNAMAX 6-PORT ST MM/SM MODULE; FITS RACKMOUNT ENCLOSURES SIGNAMAX PART# UFE-W-06STM NO SUBSTITUTE BID SIGNAMAX	NS	\$13.69000	\$273.80
183	20	EA	SIGNAMAX 6-PORT SC MM/SM MODULE; FITS RACKMOUNT ENCLOSURES SIGNAMAX PART# UFE-W-06SCM NO SUBSTITUTE BID SIGNAMAX	NS	\$14.66000	\$293.20
184	20	EA	SIGNAMAX 8-PORT ST MM/SM MODULE; FITS RACKMOUNT ENCLOSURES SIGNAMAX PART# UFE-W-08STM NO SUBSTITUTE BID SIGNAMAX	NS	\$16.94000	\$338.80
185	20	EA	SIGNAMAX 8-PORT SC MM/SM MODULE; FITS RACKMOUNT ENCLOSURES SIGNAMAX PART# UFE-W-08SCM NO SUBSTITUTE BID SIGNAMAX	NS	\$18.19000	\$363.80
186	20	EA	SIGNAMAX 12-PORT ST MM/SM MODULE; FITS RACKMOUNT ENCLOSURES SIGNAMAX PART# UFE-B-12ST NO SUBSTITUTE BID SIGNAMAX	NS	\$23.50000	\$470.00
187	20	EA	SIGNAMAX 12-PORT SC MM/SM MODULE; FITS RACKMOUNT ENCLOSURES SIGNAMAX PART# UFE-B-12SC NO SUBSTITUTE BID SIGNAMAX	NS	\$23.25000	\$465.00
188	20	EA	SIGNAMAX BLANK PLASTIC MODULE; FITS RACK MOUNT ENCLOSURES SIGNAMAX PART # UFE-W-BL NO SUBSTITUTE BID SIGNAMAX	NS	\$4.14000	\$82.80
189	20	EA	LEVITON 1U RACKMOUNT FIBER ENCLOSURE LEVITON PART # 5R1UA-A03 OR EQUAL BID LEVITON		\$72.34000	\$1,446.80
190	20	EA	LEVITON 2U RACKMOUNT FIBER ENCLOSURE LEVITON PART# 5R2UA-A06 OR EQUAL BID LEVITON		\$95.66000	\$1,913.20
191	20	EA	LEVITON 3U RACKMOUNT FIBER ENCLOSURE LEVITON PART# 5R3UA-A12 OR EQUAL BID LEVITON		\$127.46000	\$2,549.20
192	20	EA	LEVITON SMALL EMPTY FIBER WALL MOUNT ENCLOSURE ONLY 8"HIGH X 13"WIDE X 3.5"DEEP LEVITON PART# 5W110-00N OR EQUAL BID LEVITON		\$47.20000	\$944.00
193	20	EA	LEVITON MEDIUM EMPTY FIBER WALL MOUNT ENCLOSURE ONLY 14"HIGH X 12"WIDE X 5.25" DEEP LEVITON PART# 5W310-00N OR EQUAL BID LEVITON		\$64.36000	\$1,287.20
194	20	EA	LEVITON LARGE EMPTY FIBER WALL MOUNT ENCLOSURE ONLY 17" HIGH X 15" WIDE X 5.25" DEEP LEVITON PART# 5W710-00N OR EQUAL BID LEVITON		\$137.32000	\$2,746.40
195	50	EA	LEVITON ST FIBER 6-PACK TO FIT EITHER WALL MOUNT OR RACKMOUNT ENCLOSURES ONLY LEVITON PART# 5F100-1ST OR EQUAL BID LEVITON		\$14.83000	\$741.50
196	50	EA	LEVITON SC FIBER 6-PACK TO FIT EITHER WALL MOUNT OR RACKMOUNT ENCLOSURES ONLY LEVITON PART# 5F100-3SC OR EQUAL BID LEVITON		\$16.70000	\$3,340.00

CABLE07 - PRICING PAGE

APPROXIMATE USAGE 2006

ITEM NUM.	Quantity	Unit	Description	No Substitution	Unit Price	Extension Price
197	50	EA	LEVITON BLANK 6-PACK FOR FIBER ENCLOSURES LEVITON PART# 5F100-BPP OR EQUAL BID LEVITON		\$2.91000	\$145.50
198	50	EA	LEVITON SC FIBER 8-PACK TO FIT EITHER WALL MOUNT OR RACKMOUNT ENCLOSURES LEVITON PART# 5F100-8SC OR EQUAL BID LEVITON		\$3.00000	\$150.00
199	50	EA	LEVITON SC FIBER 12-PACK TO FIT EITHER WALL MOUNT OR RACKMOUNT ENCLOSURES LEVITON PART# 5F100-CSC OR EQUAL BID LEVITON		\$28.63000	\$1,431.50
200	50	EA	SIECOR ST CONNECTOR PANEL, PART # WIC-CP1-25 NO SUBSTITUTE BID SIECOR	NS	\$15.81000	\$790.50
201	50	EA	SIECOR SC CONNECTOR PANEL, PART # WIC-CP1-56 NO SUBSTITUTE BID SIECOR	NS	\$22.00000	\$1,100.00
202	30	EA	SIECOR WALL MOUNT FIBER ENCLOSURE, PART # WIC-012 NO SUBSTITUTE BID SIECOR	NS	\$29.25000	\$877.50
203	50	EA	SIECOR ST CONNECTOR PANEL, PART # FDC-CP1P-25 NO SUBSTITUTE BID SIECOR	NS	\$15.81000	\$790.50
204	50	EA	SIECOR SC CONNECTOR PANEL, PART # FDC-CP1P-56 NO SUBSTITUTE BID SIECOR	NS	\$22.00000	\$1,100.00
205	20	EA	SIECOR DISTRIBUTION CABINET, PART # FDC-CMH-072 NO SUBSTITUTE BID SIECOR	NS	\$216.00000	\$4,320.00
206	100	EA	DUPLEX FIBER OPTIC JUMPERS, 62.5/125 1 METER ST TO ST BID LYNN		\$8.09000	\$809.00
207	100	EA	DUPLEX FIBER OPTIC JUMPERS, 62.5/125 1 METER ST TO SC BID LYNN		\$9.03000	\$903.00
208	100	EA	DUPLEX FIBER OPTIC JUMPERS, 62.5/125 1 METER SC TO SC BID LYNN		\$9.03000	\$903.00
209	100	EA	DUPLEX FIBER OPTIC JUMPERS, 62.5/125 1 METER LC TO ST BID LYNN		\$11.57000	\$1,157.00
210	100	EA	DUPLEX FIBER OPTIC JUMPERS, 62.5/125 1 METER LC TO SC BID LYNN		\$11.57000	\$1,157.00
211	100	EA	DUPLEX FIBER OPTIC JUMPERS, 62.5/125 1 METER LC TO LC BID LYNN		\$13.39000	\$1,339.00
212	100	EA	DUPLEX FIBER OPTIC JUMPERS, 62.5/125 1 METER SC TO MTRJ BID LYNN		\$8.97000	\$897.00
213	100	EA	DUPLEX FIBER OPTIC JUMPERS, 62.5/125 1 METER LC TO MTRJ BID LYNN		\$10.69000	\$1,069.00
214	100	EA	DUPLEX FIBER OPTIC JUMPERS, 62.5/125 2 METER ST TO ST BID LYNN		\$8.60000	\$860.00
215	100	EA	DUPLEX FIBER OPTIC JUMPERS, 62.5/125 2 METER ST TO SC BID LYNN		\$9.68000	\$968.00
216	100	EA	DUPLEX FIBER OPTIC JUMPERS, 62.5/125 2 METER SC TO SC BID LYNN		\$9.68000	\$968.00
217	100	EA	DUPLEX FIBER OPTIC JUMPERS, 62.5/125 2 METER LC TO ST BID LYNN		\$12.25000	\$1,225.00
218	100	EA	DUPLEX FIBER OPTIC JUMPERS, 62.5/125 2 METER LC TO SC BID LYNN		\$12.25000	\$1,225.00
219	100	EA	DUPLEX FIBER OPTIC JUMPERS, 62.5/125 2 METER LC TO LC BID LYNN		\$14.10000	\$1,410.00
220	100	EA	DUPLEX FIBER OPTIC JUMPERS, 62.5/125 2 METER SC TO MTRJ BID LYNN		\$9.63000	\$963.00
221	100	EA	DUPLEX FIBER OPTIC JUMPERS, 62.5/125 2 METER LC TO MTRJ BID LYNN		\$11.34000	\$1,134.00

CABLE07 - PRICING PAGE

APPROXIMATE USAGE 2006

ITEM NUM.	Quantity	Unit	Description	No Substitution	Unit Price	Extension Price
222	100	EA	DUPLEX FIBER OPTIC JUMPERS, 62.5/125 3 METER ST TO ST BID LYNN		\$9.67000	\$967.00
223	100	EA	DUPLEX FIBER OPTIC JUMPERS, 62.5/125 3 METER ST TO SC BID LYNN		\$10.34000	\$1,034.00
224	100	EA	DUPLEX FIBER OPTIC JUMPERS, 62.5/125 3 METER SC TO SC BID LYNN		\$10.34000	\$1,034.00
225	100	EA	DUPLEX FIBER OPTIC JUMPERS, 62.5/125 3 METER LC TO ST BID LYNN		\$12.95000	\$1,295.00
226	100	EA	DUPLEX FIBER OPTIC JUMPERS, 62.5/125 3 METER LC TO SC BID LYNN		\$12.95000	\$1,295.00
227	100	EA	DUPLEX FIBER OPTIC JUMPERS, 62.5/125 3 METER LC TO LC BID LYNN		\$14.80000	\$1,480.00
228	100	EA	DUPLEX FIBER OPTIC JUMPERS, 62.5/125 3 METER SC TO MTRJ BID LYNN		\$10.29000	\$1,029.00
229	100	EA	DUPLEX FIBER OPTIC JUMPERS, 62.5/125 3 METER LC TO MTRJ BID LYNN		\$12.00000	\$1,200.00
230	100	EA	DUPLEX FIBER OPTIC JUMPERS, 50/125 1 METER ST TO ST BID LYNN		\$8.09000	\$809.00
231	100	EA	DUPLEX FIBER OPTIC JUMPERS, 50/125 1 METER ST TO SC BID LYNN		\$9.03000	\$903.00
232	100	EA	DUPLEX FIBER OPTIC JUMPERS, 50/125 1 METER SC TO SC BID LYNN		\$9.03000	\$903.00
233	100	EA	DUPLEX FIBER OPTIC JUMPERS, 50/125 1 METER LC TO ST BID LYNN		\$11.57000	\$1,157.00
234	100	EA	DUPLEX FIBER OPTIC JUMPERS, 50/125 1 METER LC TO SC BID LYNN		\$11.57000	\$1,157.00
235	100	EA	DUPLEX FIBER OPTIC JUMPERS, 50/125 1 METER LC TO LC BID LYNN		\$13.39000	\$1,339.00
236	100	EA	DUPLEX FIBER OPTIC JUMPERS, 50/125 1 METER SC TO MTRJ BID LYNN		\$9.69000	\$969.00
237	100	EA	DUPLEX FIBER OPTIC JUMPERS, 50/125 1 METER LC TO MTRJ BID LYNN		\$10.72000	\$1,072.00
238	100	EA	DUPLEX FIBER OPTIC JUMPERS, 50/125 2 METER ST TO ST BID LYNN		\$8.60000	\$860.00
239	100	EA	DUPLEX FIBER OPTIC JUMPERS, 50/125 2 METER ST TO SC BID LYNN		\$9.68000	\$968.00
240	100	EA	DUPLEX FIBER OPTIC JUMPERS, 50/125 2 METER SC TO SC BID LYNN		\$9.68000	\$968.00
241	100	EA	DUPLEX FIBER OPTIC JUMPERS, 50/125 2 METER LC TO ST BID LYNN		\$12.25000	\$1,225.00
242	100	EA	DUPLEX FIBER OPTIC JUMPERS, 50/125 2 METER LC TO SC BID LYNN		\$12.25000	\$1,225.00
243	100	EA	DUPLEX FIBER OPTIC JUMPERS, 50/125 2 METER LC TO LC BID LYNN		\$14.10000	\$1,410.00
244	100	EA	DUPLEX FIBER OPTIC JUMPERS, 50/125 2 METER SC TO MTRJ BID LYNN		\$9.63000	\$963.00
245	100	EA	DUPLEX FIBER OPTIC JUMPERS, 50/125 2 METER LC TO MTRJ BID LYNN		\$11.34000	\$1,134.00
246	100	EA	DUPLEX FIBER OPTIC JUMPERS, 50/125 3 METER ST TO ST BID LYNN		\$9.67000	\$967.00
247	100	EA	DUPLEX FIBER OPTIC JUMPERS, 50/125 3 METER ST TO SC BID LYNN		\$10.34000	\$1,034.00
248	100	EA	DUPLEX FIBER OPTIC JUMPERS, 50/125 3 METER SC TO SC BID YLNN		\$10.34000	\$1,034.00
249	100	EA	DUPLEX FIBER OPTIC JUMPERS, 50/125 3 METER LC TO ST BID LYNN		\$12.95000	\$1,295.00

CABLE07 - PRICING PAGE

APPROXIMATE USAGE 2006

ITEM NUM.	Quantity	Unit	Description	No Substitution	Unit Price	Extension Price
250	100	EA	DUPLEX FIBER OPTIC JUMPERS, 50/125 3 METER LC TO SC BID LYNN		\$12.95000	\$1,295.00
251	100	EA	DUPLEX FIBER OPTIC JUMPERS, 50/125 3 METER LC TO LC BID LYNN		\$14.80000	\$1,480.00
252	100	EA	DUPLEX FIBER OPTIC JUMPERS, 50/125 3 METER SC TO MTRJ BID LYNN		\$10.29000	\$1,029.00
253	100	EA	DUPLEX FIBER OPTIC JUMPERS, 50/125 3 METER LC TO MTRJ BID LYNN		\$12.00000	\$1,200.00
254	100	EA	DUPLEX FIBER OPTIC JUMPERS, 9/125 1 METER ST TO ST BID LYNN		\$11.90000	\$1,190.00
255	100	EA	DUPLEX FIBER OPTIC JUMPERS, 9/125 1 METER ST TO SC BID LYNN		\$11.90000	\$1,190.00
256	100	EA	DUPLEX FIBER OPTIC JUMPERS, 9/125 1 METER SC TO SC BID LYNN		\$11.90000	\$1,190.00
257	100	EA	DUPLEX FIBER OPTIC JUMPERS, 9/125 1 METER LC TO ST BID LYNN		\$13.07000	\$1,307.00
258	100	EA	DUPLEX FIBER OPTIC JUMPERS, 9/125 1 METER LC TO SC BID LYNN		\$13.07000	\$1,307.00
259	100	EA	DUPLEX FIBER OPTIC JUMPERS, 9/125 1 METER LC TO LC BID LYNN		\$15.79000	\$1,579.00
260	100	EA	DUPLEX FIBER OPTIC JUMPERS, 9/125 1 METER SC TO MTRJ BID LYNN		\$12.66000	\$1,266.00
261	100	EA	DUPLEX FIBER OPTIC JUMPERS, 9/125 1 METER LC TO MTRJ BID LYNN		\$15.60000	\$1,560.00
262	100	EA	DUPLEX FIBER OPTIC JUMPERS, 9/125 2 METER ST TO ST BID LYNN		\$12.50000	\$1,250.00
263	100	EA	DUPLEX FIBER OPTIC JUMPERS, 9/125 2 METER ST TO SC BID LYNN		\$12.50000	\$1,250.00
264	100	EA	DUPLEX FIBER OPTIC JUMPERS, 9/125 2 METER SC TO SC BID LYNN		\$12.50000	\$1,250.00
265	100	EA	DUPLEX FIBER OPTIC JUMPERS, 9/125 2 METER LC TO ST BID LYNN		\$13.67000	\$1,367.00
266	100	EA	DUPLEX FIBER OPTIC JUMPERS, 9/125 2 METER LC TO SC BID LYNN		\$13.67000	\$1,367.00
267	100	EA	DUPLEX FIBER OPTIC JUMPERS, 9/125 2 METER LC TO LC BID LYNN		\$16.39000	\$1,639.00
268	100	EA	DUPLEX FIBER OPTIC JUMPERS, 9/125 2 METER SC TO MTRJ BID LYNN		\$13.24000	\$1,324.00
269	100	EA	DUPLEX FIBER OPTIC JUMPERS, 9/125 2 METER LC TO MTRJ BID LYNN		\$16.47000	\$1,647.00
270	100	EA	DUPLEX FIBER OPTIC JUMPERS, 9/125 3 METER ST TO ST BID LYNN		\$13.08000	\$1,308.00
271	100	EA	DUPLEX FIBER OPTIC JUMPERS, 9/125 3 METER ST TO SC BID LYNN		\$13.08000	\$1,308.00
272	100	EA	DUPLEX FIBER OPTIC JUMPERS, 9/125 3 METER SC TO SC BID LYNN		\$13.08000	\$1,308.00
273	100	EA	DUPLEX FIBER OPTIC JUMPERS, 9/125 3 METER LC TO ST BID LYNN		\$14.26000	\$1,426.00
274	100	EA	DUPLEX FIBER OPTIC JUMPERS, 9/125 3 METER LC TO SC BID LYNN		\$14.26000	\$1,426.00
275	100	EA	DUPLEX FIBER OPTIC JUMPERS, 9/125 3 METER LC TO LC BID LYNN		\$16.97000	\$1,697.00
276	100	EA	DUPLEX FIBER OPTIC JUMPERS, 9/125 3 METER SC TO MTRJ BID LYNN		\$13.81000	\$1,381.00
277	100	EA	DUPLEX FIBER OPTIC JUMPERS, 9/125 3 METER LC TO MTRJ BID LYNN		\$17.35000	\$1,735.00

CABLE07 - PRICING PAGE

APPROXIMATE USAGE 2006

ITEM NUM.	Quantity	Unit	Description	No Substitution	Unit Price	Extension Price
278	20	EA	KENTROX CSU/DSU T1 TO ETHERNET EXTENDER PART# 4020CE OR EQUAL BID KENTROX		\$248.51000	\$4,970.20
279	20	EA	ALLIED TELESYN ST TO RJ45 FEMALE FIBER MEDIA CONVERTER 10/100MEG PART# AT-FS201 SUBSTITUTE BID ALLIED TELESYN	NO NS	\$165.72000	\$3,314.40
280	20	EA	ALLIED TELESYN CENTRE COM MC13 UTP/FIBER ST 10MBPS MEDIA CONVERTER PART# ATMC13-10 NO SUBSTITUTE BID ALLIED TELESYN	NS	\$105.00000	\$2,100.00
281	20	EA	TRANSITION NETWORKS ETHERNET 10BASE-T TO 10BASE-FL STAND-ALONE MEDIA CONVERTER; TRANSITION NETWORKS PART# E-TBT-FRL-05 NO SUBSTITUTE BID TRANSITION NETWORKS	NS	\$107.67000	\$2,153.40
282	20	EA	TRANSITION NETWORKS FAST ETHERNET 100BASE-TX TO 100BASE-FX STAND-ALONE MEDIA CONVERTER; TRANSITION NETWORKS PART# E-100BTX-FX-05 NO SUBSTITUTE BID TRANSITION NETWORKS	NS	\$392.04000	\$7,840.80

TOTAL COST OF ITEMS

\$1,185,490.61

TOTAL COST OF ALL ITEMS **\$ 1,185,490.61**

Cost for INSIDE DELIVERY (Explain)
\$6.50 per 100 pounds with a minimum charge of \$75.00

\$ 6.50 per 100 pounds

THERE WILL NOT BE A SPLIT AWARD FOR THIS CONTRACT.

AGREEMENT ADDENDUM

In the event of conflict between this addendum and the agreement, this addendum shall control:

1. **ARBITRATION** - Any references to arbitration contained in the agreement are hereby deleted. Disputes arising out of the agreement shall be presented to the West Virginia Court of Claims.
2. **HOLD HARMLESS** - Any clause requiring the Agency to indemnify or hold harmless any party is hereby deleted in its entirety.
3. **GOVERNING LAW** - The agreement shall be governed by the laws of the State of West Virginia. This provision replaces any references to any other State's governing law.
4. **TAXES** - Provisions in the agreement requiring the Agency to pay taxes are deleted. As a State entity, the Agency is exempt from Federal, State, and local taxes and will not pay taxes for any Vendor including individuals, nor will the Agency file any tax returns or reports on behalf of Vendor or any other party.
5. **PAYMENT** - Any references to prepayment are deleted. Payment will be in arrears.
6. **INTEREST** - Should the agreement include a provision for interest on late payments, the Agency agrees to pay the maximum legal rate under West Virginia law. All other references to interest or late charges are deleted.
7. **RECOUPMENT** - Any language in the agreement waiving the Agency's right to set-off, counterclaim, recoupment, or other defense is hereby deleted.
8. **FISCAL YEAR FUNDING** - Service performed under the agreement may be continued in succeeding fiscal years for the term of the agreement, contingent upon funds being appropriated by the Legislature or otherwise being available for this service. In the event funds are not appropriated or otherwise available for this service, the agreement shall terminate without penalty on June 30. After that date, the agreement becomes of no effect and is null and void. However, the Agency agrees to use its best efforts to have the amounts contemplated under the agreement included in its budget. Non-appropriation or non-funding shall not be considered an event of default.
9. **STATUTE OF LIMITATION** - Any clauses limiting the time in which the Agency may bring suit against the Vendor, lessor, individual, or any other party are deleted.
10. **SIMILAR SERVICES** - Any provisions limiting the Agency's right to obtain similar services or equipment in the event of default or non-funding during the term of the agreement are hereby deleted.
11. **ATTORNEY FEES** - The Agency recognizes an obligation to pay attorney's fees or costs only when assessed by a court of competent jurisdiction. Any other provision is invalid and considered null and void.
12. **ASSIGNMENT** - Notwithstanding any clause to the contrary, the Agency reserves the right to assign the agreement to another State of West Virginia agency, board or commission upon thirty (30) days written notice to the Vendor and Vendor shall obtain the written consent of Agency prior to assigning the agreement.
13. **LIMITATION OF LIABILITY** - The Agency, as a State entity, cannot agree to assume the potential liability of a Vendor. Accordingly, any provision limiting the Vendor's liability for direct damages or limiting the Vendor's liability under a warranty to a certain dollar amount or to the amount of the agreement is hereby deleted. In addition, any limitation is null and void to the extent that it precludes any action for injury to persons or for damages to personal property.
14. **RIGHT TO TERMINATE** - Agency shall have the right to terminate the agreement upon thirty (30) days written notice to Vendor.
15. **TERMINATION CHARGES** - Any provision requiring the Agency to pay a fixed amount or liquidated damages upon termination of the agreement is hereby deleted. The Agency may only agree to reimburse a Vendor for actual costs incurred or losses sustained during the current fiscal year due to wrongful termination by the Agency prior to the end of any current agreement term.
16. **RENEWAL** - Any reference to automatic renewal is hereby deleted. The agreement may be renewed only upon mutual written agreement of the parties.
17. **INSURANCE** - Any provision requiring the Agency to insure equipment or property of any kind and name the Vendor as beneficiary or as an additional insured is hereby deleted.
18. **RIGHT TO NOTICE** - Any provision for repossession of equipment without notice is hereby deleted. However, the Agency does recognize a right of repossession with notice.
19. **ACCELERATION** - Any reference to acceleration of payments in the event of default or non-funding is hereby deleted.
20. **AMENDMENTS** - All amendments, modifications, alterations or changes to the agreement shall be in writing and signed by both parties. No amendment, modification, alteration or change may be made to this addendum without the express written approval of the Purchasing Division and the Attorney General.

ACCEPTED BY:
STATE OF WEST VIRGINIA

Spending Unit: _____

Signed: _____

Title: _____

Date: _____

VENDOR

Company Name: GRAYBAR ELECTRIC CO- INC

Signed: Kevin Hypos

Title: SALES REP

Date: 4-5-07

AFFIDAVIT

West Virginia Code §5A-3-10a states:

No contract or renewal of any contract may be awarded by the state or any of its political subdivisions to any vendor or prospective vendor when the vendor or prospective vendor or a related party to the vendor or prospective vendor is a debtor and the debt owned is an amount greater than one thousand dollars in the aggregate

DEFINITIONS:

"Debt" means any assessment, premium, penalty, fine, tax or other amount of money owed to the state or any of its political subdivisions because of a judgment, fine, permit violation, license assessment, defaulted workers' compensation premium, penalty or other assessment presently delinquent or due and required to be paid to the state or any of its political subdivisions, including any interest or additional penalties accrued thereon.

"Debtor" means any individual, corporation, partnership, association, limited liability company or any other form or business association owing a debt to the state or any of its political subdivisions. "Political subdivision" means any county commission; municipality; county board of education; any instrumentality established by a county or municipality; any separate corporation or instrumentality established by one or more counties or municipalities, as permitted by law; or any public body charged by law with the performance of a government function or whose jurisdiction is coextensive with one or more counties or municipalities. "Related party" means a party, whether an individual, corporation, partnership, association, limited liability company or any other form or business association or other entity whatsoever, related to any vendor by blood, marriage, ownership or contract through which the party has a relationship of ownership or other interest with the vendor so that the party will actually or by effect receive or control a portion of the benefit, profit or other consideration from performance of a vendor contract with the party receiving an amount that meets or exceed five percent of the total contract amount.

EXCEPTION:

The prohibition of this section does not apply where a vendor has contested any tax administered pursuant to chapter eleven of this code, workers' compensation premium, permit fee or environmental fee or assessment and the matter has not become final or where the vendor has entered into a payment plan or agreement and the vendor is not in default of any of the provisions of such plan or agreement.

LICENSING:

Vendors must be licensed and in good standing in accordance with any and all state and local laws and requirements by any state or local agency of West Virginia, including, but not limited to, the West Virginia Secretary of State's Office, the West Virginia Tax Department, West Virginia Insurance Commission, or any other state agencies or political subdivision. Furthermore, the vendor must provide all necessary releases to obtain information to enable the Director or spending unit to verify that the vendor is licensed and in good standing with the above entities.

CONFIDENTIALITY:

The vendor agrees that he or she will not disclose to anyone, directly or indirectly, any such personally identifiable information or other confidential information gained from the agency, unless the individual who is the subject of the information consents to the disclosure in writing or the disclosure is made pursuant to the agency's policies, procedures and rules. Vendors should visit www.state.wv.us/admin/purchase/privacy for the Notice of Agency Confidentiality Policies.

Under penalty of law for false swearing (West Virginia Code, §61-5-3), it is hereby certified that the vendor acknowledges the information in this said affidavit and are in compliance with the requirements as stated.

Vendor's Name: GRAYBAR ELECTRIC Co. Inc.

Authorized Signature: Kevin Hayes Date: 4-5-07

WV-36a	STATE OF WEST VIRGINIA PURCHASING CONTINUATION SHEET	Buyer:	Page	Req. or P. O. No.: <u>CABLE 07</u>
--------	---	--------	------	---------------------------------------

Vendor: <u>GRAYBAR ELECTRIC Co. Inc.</u>	Spending Unit:
--	----------------

Requisition No.: CABLE 07

ADDENDUM ACKNOWLEDGEMENT

I hereby acknowledge receipt of the following checked addendum(s) and have made the necessary revisions to my proposal, plans and/or specifications, etc.

Addendum No.'s:

No. 1 ✓

No. 2 _____

No. 3 _____

No. 4 _____

No. 5 _____

I understand that failure to confirm the receipt of the addendum(s) is cause for rejection of bids.

Kevin Hayes
Signature

GRAYBAR ELECTRIC Co. Inc.
Company

4-5-07
Date



State of West Virginia
 Department of Administration
 Purchasing Division
 2019 Washington Street East
 Post Office Box 50130
 Charleston, WV 25305-0130

Request for Quotation

RFQ NUMBER: CABLE07

PAGE: 1

ADDRESS CORRESPONDENCE TO ATTENTION OF:
 JO ANN ADKINS
 304-558-8802

RFQ COPY
 TYPE NAME/ADDRESS HERE

VENDOR

SHIP TO

ALL STATE AGENCIES
 AND POLITICAL SUBDIVISIONS
 VARIOUS LOCALES AS INDICATED
 BY ORDER

DATE PRINTED	TERMS OF SALE	SHIP VIA	F.O.B.	FREIGHT TERMS
03/21/2007				
BID OPENING DATE: 04/05/2007		BID OPENING TIME 01:30PM		

LINE	QUANTITY	UQP	CAT NO	ITEM NUMBER	UNIT PRICE	AMOUNT
*****ADDENDUM NO. 1 *****						
1. ADDENDUM ACKNOWLEDGEMENT IS ATTACHED. THIS DOCUMENT SHOULD BE SIGNED AND RETURNED WITH YOUR BID. FAILURE TO SIGN AND RETURN MAY RESULT IN DISQUALIFICATION OF YOUR BID.						
1. QUESTIONS AND ANSWERS ATTACHED. (3 PAGES)						
2. REVISED PRICE PAGE SPREADSHEET (16 PAGES)						
*****END OF ADDENDUM NO. 2*****						

SEE REVERSE SIDE FOR TERMS AND CONDITIONS

SIGNATURE		TELEPHONE		DATE
TITLE	FEIN	ADDRESS CHANGES TO BE NOTED ABOVE		

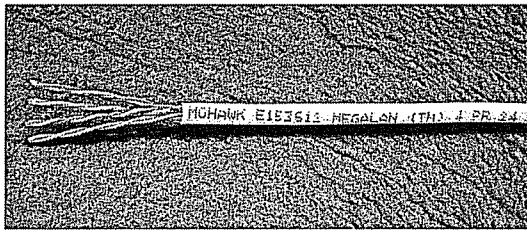
WHEN RESPONDING TO RFQ, INSERT NAME AND ADDRESS IN SPACE ABOVE LABELED 'VENDOR'

CABLE07
Questions & Answers

1	Q	Some of the reasons that are being suggested why the CABLE06A contract is not being renewed are that there has been some service and training issues? If this is correct are there any documentation and may we see it?
	A	Refer to question 8.
2	Q	Will the State consider allowing the prices on the CABLE07 rfq to be firm for 90 days from the bid date? The way that it is written now that the prices are firm for 120 days from the effective date, which would be at least June 1, 2007, could hurt the successful vendor from the start of the CABLE07 contract. Most of the manufactures listed on the CABLE07 rfq hold prices firm from 30 to 90 days. With the bid date of April 5, 2007 the manufactures quotes could expire between May 5, 2007 and July 5, 2007. And the successful vendor could not ask for a price increase until Sept. 28, 2007.
	A	Prices are firm for 90 days from the effective date of the contract, Price increases SHALL be restricted to strictly "pass through" increases.
3	Q	Since the EIA/TIA sets the standards for all cable manufactures to meet on Cat5E and Cat6 cable and the State has a history of purchasing other manufactures cable will equals be allowed on items 48, 49, 51, 52, 86 and 87?
	A	No, we will not accept substitutions for Mohawk cable. Our Cabling Team has utilized Mohawk cable for the past several years and we have come to depend on this products' reliability. To assist us with training and troubleshooting, we have worked on standardizing specific products used for the proper operation of the infrastructure being installed throughout the state and Mohawk cable is one of these products.
4	Q	Will Corning be accepted for item 170 since all the other fiber optic cables are listed as OCC or Corning?
	A	Yes
5	Q	Why were the questions that were submitted before the pre-bid not discussed at the pre-bid? Since we did not get the answers at the pre-bid we will not have a opportunity to ask any follow up questions after 8:30am on March 12, 2007.
	A	It was determined to address all questions at one time.
6	Q	What was the purpose of the mandatory pre-bid since none of the questions that were submitted before the pre-bid were not discussed?

	A	Refer to question 5.
7	Q	Like most of the other technology rfq's that the State puts out for bid should the successful vendor of the CABLE07 rfq be an authorized distributor of all the products on the CABLE07 rfq? If not does this put the State at risk if there are any product performance issues and the product is purchased from a non-authorized distributor?
	A	Because the products requested are standard cabling products that can be acquired across the counter, we do not feel that the vendor must be an authorized distributor of all items on the contract.
8	Q	Why was the CABLE02 contract effective from March 1, 2002 and extended to May 31, 2006 with eight change orders and the CABLE06A contract put back out for rebid as CABLE07 after just nine months?
	A	<p>3 reasons –</p> <p>First, we recently granted a cost increase for our Cat.5e, Cat.5E & Cat.6 cable due to the fact that the cost of copper had increased approximately 40%. At this time, I am hearing that the cost of copper has decreased so I would like to receive a more favorable market price for our copper cabling.</p> <p>Secondly, when the contract was initiated on June 1, 2006, several delivery timeframes for contract materials were not met. Following is an email I received from Betty Francisco/Purchasing on 02/07/07:</p> <p><i>Marta,</i> <i>Do you know of any delivery problems we have had with the current vendor?</i> <i>Just received an e-mail from the State Police and they indicated the delivery response has not been acceptable. At my request, they are sending a vendor performance report so I can address the problem with the vendor.</i> <i>Thanks.</i> <i>Betty</i></p> <p>Thirdly, there were approximately 25 items omitted from the last Cable Contract that I attempted to add in July, 2006. After Betty Francisco/Purchasing reviewed my request to make these additions, her response was:</p> <p><i>"Adding 25 new items is a very large change in scope from the original bid. With such a large scope change, both Karen and I think it would require rebidding instead of simply adding items without the competitive process."</i></p>

		Therefore, I would like to add these additional items and complete a re-bid of our Cable Contract.
9	Q	According to the terms and conditions of the CABLE07 rfq. The successful vendor must provide a quarterly and yearly purchasing report. How do we know if the other vendors that are bidding this rfq have the capabilities to provide this report? And if they do not have the capabilities to provide this report will their bid be accepted?
	A	There were only 2 companies present at our pre-bid meeting for this RFQ. My understanding is that both companies have the capability of submitting the requested quarterly & yearly purchasing reports.
10.	Q	Why has the State of WV chosen not to renew the CABLE06A contract? The last several CABLE contracts have always been renewed for at least the limited two (2) one (1) year extensions. Is it the States intent to rebid this contract yearly?
	A	Refer to question 8.
11.	Q	Who is the manufacture of items 45, 46 and 47? I cannot find any manufacture that recognizes these part numbers.
	A	Supplied wrong part numbers – the correct part numbers for items 45, 46 & 47 are on the attached revised pricing sheet.
12.	Q	Since items 179 through 188 have not been on any CABLE contracts in the past will equals be accepted for these items?
	A	Signamax enclosures were chosen because they fit flush in our contract cabinet racks and they allow the cabinet door to close. If the enclosure you bid fits flush in our contract cabinet racks and allows the cabinet door to close, it will be accepted.



MegaLAN™

4 Pair #24 AWG UTP Category 5E+ Cable

DESCRIPTION

ENHANCED UNSHIELDED TWISTED PAIR (UTP) MEGALAN CABLE FOR USE IN HORIZONTAL CABLING SYSTEMS PER TIA/EIA 568-B. THE CABLE EXCEEDS CATEGORY 5e ELECTRICAL CHARACTERISTICS AND IS TESTED TO 400 MHz. THE CABLE CONSISTS OF #24 AWG SOLID BARE COPPER INSULATED CONDUCTORS, ASSEMBLED INTO FOUR TIGHTLY TWISTED PAIRS, WITH A RIPCORD, UNDER AN OVERALL JACKET. PRINT INCLUDES DESCENDING FOOTAGE MARKERS FROM 1000 TO 0 ON EACH 1000 FT REEL OR BOX. THIS PRODUCT AND/OR ITS MANUFACTURE IS COVERED BY US PATENT NOS. 5424491 & 5563377 (PL).

THE PLENUM RATED CABLE IS FOR USE IN AIR HANDLING DUCTS AND SPACES IN ACCORDANCE WITH ARTICLE 800 OF THE NATIONAL ELECTRICAL CODE (NEC). THE CABLE IS UL (USA) & cUL (CANADA) LISTED FOR THIS APPLICATION BY PASSING NFPA 262 (FT6 OR PREVIOUSLY UL 910 STEINER TUNNEL) TEST.

THE RISER (NON-PLENUM) RATED CABLE IS FOR USE AS A VERTICAL RUN IN A SHAFT AND FOR GENERAL PURPOSE COMMUNICATIONS USE IN ACCORDANCE WITH ARTICLE 800 OF THE NEC. THE CABLE IS ETL (USA) & cETL (CANADA) LISTED FOR THIS APPLICATION BY PASSING UL 1666 RISER CABLE FLAMMABILITY TEST. THE CABLE ALSO PASSES THE CSA FT4 VERTICAL FLAME TEST - CABLES IN CABLE TROUGH FROM CLAUSE 4.11.4 OF CSA C22.2 NO. 0.3.

THIS CABLE COMPLIES WITH THE EU-RoHS DIRECTIVE 2002/95/EC (RESTRICTIONS ON HAZARDOUS SUBSTANCES) REGULATIONS.

SUPPORTED APPLICATIONS

IEEE 802.3 10BASE-T (ETHERNET), 100BASE-T (FAST ETHERNET), AND 1000BASE-T (GIGABIT ETHERNET), ANSI.X3.263 FDDI TP-PMD, IEEE 802.5 4 AND 16 Mbps TOKEN RING, ATM UP TO 155 Mbps, 550 MHz BROADBAND VIDEO AND STANDARDS UNDER DEVELOPMENT SUCH AS ATM AT 622 Mbps & 1.2 Gbps.

INDUSTRY APPROVALS

STANDARDS: EXCEEDS TIA/EIA 568-B.2 CAT 5e & ISO/IEC 11801 CAT 5 HORIZONTAL CABLE

LISTINGS: PL: UL/cUL TYPE CMP
NP: c(ETL)us TYPE CMR

PERFORMANCE: ETL VERIFIED TO TIA/EIA 568-B.2 CAT 5e

CONSTRUCTION

PRIMARIES: CONDUCTOR: 24 AWG (.5 mm) SOLID BARE COPPER

INSULATION:
PL: DUAL INSULATION, FEP ON ALL 4 PAIRS
NP: THERMOPLASTIC POLYOLEFIN

PAIR ASSEMBLY: 2 PRIMARIES TWISTED IN VARIED LAYS

COLOR CODE: SEE TABLE 1

CABLE ASSEMBLY: 4 PAIRS CABLED TOGETHER

JACKET: PL – NO LEAD PLENUM RATED THERMOPLASTIC
NP – NO LEAD FLAME RETARDANT THERMOPLASTIC
JACKET COLOR: SEE TABLE 2
NOMINAL CABLE OD: PL: .190" (4.8 mm)
NP: .190" (4.8 mm)

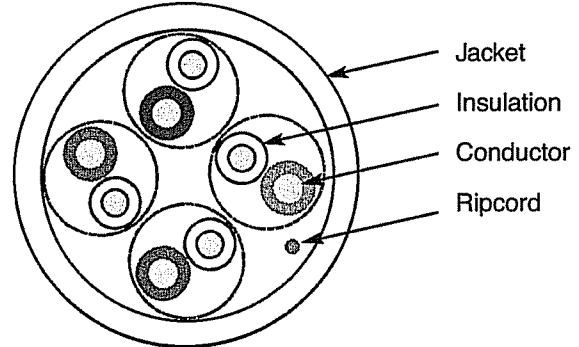


TABLE 1

PAIR NUMBER	PAIR COLOR CODE	
1	WHITE-BLUE	BLUE
2	WHITE-ORANGE	ORANGE
3	WHITE-GREEN	GREEN
4	WHITE-BROWN	BROWN

TABLE 2

PLENUM		NON-PLENUM	
PART NUMBER	JACKET COLOR	PART NUMBER	JACKET COLOR
M55988	WHITE	M55989	WHITE
M56168	BLUE	M56167	BLUE
M56092	PINK	M56094	PINK
M56093	YELLOW	M56095	YELLOW
M56882	GRAY	M56165	GREEN
M56166	GREEN	M57048	VIOLET
M56072	RED	M56954	ORANGE
M56876	ORANGE	M56670	RED
M56877	BLACK	M57129	BLACK
M56878	VIOLET	M56746	GRAY

PHYSICAL CHARACTERISTICS

CABLE WEIGHT: PL: 24 lbs/1000ft (36 kg/km)
NP: 20 lbs/1000ft (30 kg/km)

BENDING RADIUS: 1" (25.4 mm) MIN (4 x CABLE OD)

PULLING TENSION: 25 lbf (110 N) MAX

OPERATING TEMP.: -20°C to +60°C (-4°F to +140°F)

STORAGE TEMP.: -20°C to +75°C (-4°F to +167°F)

INSTALLATION TEMP.: 0°C to +60°C (+32°F to +140°F)

*THE INSTALLATION TEMPERATURE REFERS TO THE TEMPERATURE OF THE CABLE WHILE BEING INSTALLED OR PULLED. DO NOT INSTALL CABLE BELOW 0°C (+32°F).

PL = PLENUM
NP = NON-PLENUM

MOHAWK
Cabling Excellence for Open Architecture



MegaLAN™

4 Pair #24 AWG UTP Category 5E+ Cable

ELECTRICAL CHARACTERISTICS (REF TABLE 3)

CONDUCTOR DCR:	8.9 Ω/100m (27.1 Ω/Mft) MAX
DCR UNBALANCE:	3% MAX
MUTUAL CAPACITANCE:	46 pF/m (14 pF/ft) NOM
CAPACITANCE UNBALANCE PAIR/GROUND:	66 pF/100m (200 pF/Mft) MAX
CHARACTERISTIC IMPEDANCE:	100 Ω ± 15% (1-400 MHz)
INPUT IMPEDANCE:	100 Ω ± 15% (1-100 MHz) 100 Ω ± 22% (>100-200 MHz)
RETURN LOSS (RL):	20 + 5 log ₁₀ (f) dB MIN (1-10 MHz) 25 dB MIN (>10-20 MHz) 25 - 7 log ₁₀ (f / 20) dB MIN (>20 MHz)

INSERTION LOSS: (ATTENUATION)	$1.97 \sqrt{f} + .013 f + \frac{.050}{\sqrt{f}}$ dB/100m MAX
NEAR END CROSSTALK (NEXT):	40.3 - 15 log ₁₀ (f/100) dB/100m MIN
POWER SUM NEAR END CROSSTALK (PS-NEXT):	38.3 - 15 log ₁₀ (f/100) dB/100m MIN
EQUAL LEVEL FAR END CROSSTALK (ELFEXT):	27.8 - 20 log ₁₀ (f/100) dB/100m MIN
POWER SUM EQUAL LEVEL FAR END CROSSTALK (PS-ELFEXT):	24.8 - 20 log ₁₀ (f/100) dB/100m MIN
PROPAGATION DELAY:	506 + 36 / √f ns/100m MAX
DELTA DELAY (SKEW):	25 ns/100m MAX
NOMINAL VELOCITY OF PROPAGATION (NVP):	72% PLENUM 68% NON-PLENUM

WHERE f = FREQUENCY IN MHz from .772 to 350 MHz, except for ELFEXT and PS-ELFEXT from 1 to 250 MHz.

TABLE 3

REFERENCE ELECTRICAL CHARACTERISTICS

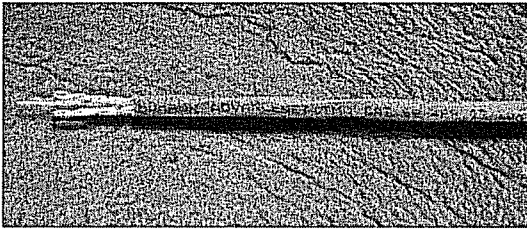
FREQ (MHz)	INSERTION LOSS			NEXT		ACR (dB/100m)	PS-NEXT		PS-ACR (dB/100m)	ELFEXT (dB/100m)	PS-ELFEXT (dB/100m)	RL (dB)
	avg (dB/100m)	max (dB/mft)	max (dB/mft)	avg (dB/100m)	min (dB/100m)		avg (dB/100m)	min (dB/100m)				
.772	1.6	1.8	5.5	82	72.0	72.2	75	70.0	68.2	-	-	-
1.0	1.8	2.0	6.2	80	70.3	70.3	73	68.3	66.3	67.8	64.8	20.0
4.0	3.6	4.0	12.2	70	61.3	59.3	63	59.3	55.3	55.8	52.8	23.0
8.0	5.2	5.7	17.4	66	56.8	53.1	59	54.8	49.1	49.7	46.7	24.5
10.0	5.8	6.4	19.4	64	55.3	50.9	58	53.3	46.9	47.8	44.8	25.0
16.0	7.3	8.1	24.7	62	52.2	46.1	56	50.2	42.1	43.7	40.7	25.0
20.0	8.3	9.1	27.7	60	50.8	43.7	54	48.8	39.7	41.8	38.8	25.0
25.0	9.3	10.2	31.0	59	49.3	41.1	52	47.3	37.1	39.8	36.8	24.3
31.25	10.4	11.4	34.8	58	47.9	38.5	51	45.9	34.5	37.9	34.9	23.6
62.5	15.1	16.4	50	54	43.4	29.0	47	41.4	25.0	31.9	28.9	21.5
100.0	19.6	21.0	64	50	40.3	21.3	43	38.3	17.3	27.8	24.8	20.1
155.0	25.0	26.6	81	48	37.4	12.9	41	35.4	8.9	24.0	21.0	18.8
200.0	28.8	30.5	93	46	35.8	7.3	40	33.8	3.3	21.8	18.8	18.0
250.0	32.8	34.4	105	45	34.3	1.9	38	32.3	-	19.8	16.8	17.3
300.0	36.5	38.0	116	44	33.1	-	37	31.1	-	18.3	15.3	16.8
350.0	40.0	41.4	126	43	32.1	-	36	30.1	-	16.9	13.9	16.3
400.0	43.2	44.6	136	42	31.3	-	35	29.3	-	-	-	15.9

VALUES ABOVE 250 MHz ARE FOR ENGINEERING INFORMATION ONLY.

Mohawk reserves the right to change specification in the interest of product enhancement.

MOHAWK
Cabling Excellence for Open Architecture

9 Mohawk Drive, Leominster, MA 01453
(978) 537-9961 • 1-800-422-9961 • FAX (978) 537-4358
info@mohawk-cable.com www.mohawk-cable.com
©Mohawk 3/2007



AdvanceNet™

4 Pair #23 AWG UTP Category 6e Cable

DESCRIPTION

ENHANCED UNSHIELDED TWISTED PAIR (UTP) ADVANCENET CABLE FOR USE IN HORIZONTAL CABLING SYSTEMS PER TIA/EIA 568-B AND ISO/IEC 11801 CLASS E. THE CABLE EXCEEDS TIA/EIA 568-B.2-1 AND ISO/IEC 11801 CATEGORY 6 ELECTRICAL CHARACTERISTICS. THE CABLE CONSISTS OF #23 AWG SOLID BARE COPPER INSULATED CONDUCTORS, ASSEMBLED INTO FOUR TIGHTLY TWISTED PAIRS, WITH A FLEXWEB CORE SEPARATOR, WITH A RIPCORD, UNDER AN OVERALL JACKET. PRINT INCLUDES DESCENDING FOOTAGE MARKERS FROM 1000 TO 0 ON EACH 1000 FT REEL OR BOX. THIS PRODUCT AND/OR ITS MANUFACTURE IS COVERED BY US PATENT NOS. 6596944, 6074503, 5424491 & 5563377 (PL).

THE PLENUM RATED CABLE IS FOR USE IN AIR HANDLING DUCTS AND SPACES IN ACCORDANCE WITH ARTICLE 800 OF THE NATIONAL ELECTRICAL CODE (NEC). THE CABLE IS UL (USA) & cUL (CANADA) LISTED FOR THIS APPLICATION BY PASSING NFPA 262 (UL 910 - STEINER TUNNEL) TEST.

THE RISER NON-PLENUM RATED CABLE IS FOR USE AS A VERTICAL RUN IN A SHAFT AND FOR GENERAL PURPOSE COMMUNICATIONS USE IN ACCORDANCE WITH ARTICLE 800 OF THE NEC. THE CABLE IS UL (USA) & cUL (CANADA) LISTED FOR THIS APPLICATION BY PASSING UL 1666 RISER CABLE FLAMMABILITY TEST. THE CABLE ALSO PASSES THE CSA FT4 VERTICAL FLAME TEST - CABLES IN CABLE TROUGH FROM CLAUSE 4.11.4 OF CSA C22.2 NO. 0.3.

THIS CABLE COMPLIES WITH THE EU-RoHS DIRECTIVE 2002/95/EC (RESTRICTIONS ON HAZARDOUS SUBSTANCES) REGULATIONS.

SUPPORTED APPLICATIONS

IEEE 802.3 10BASE-T (ETHERNET), 100BASE-T (FAST ETHERNET), AND 1000BASE-T (GIGABIT ETHERNET), IEEE 802.3af POWER OVER ETHERNET FOR VoIP, ANSI.X3.263 FDDI TP-PMD, IEEE 802.5 4 AND 16 Mbps TOKEN RING, ATM UP TO 155 Mbps, 550 MHz BROADBAND VIDEO AND STANDARDS UNDER DEVELOPMENT SUCH AS ATM AT 622 Mbps, and 1.2 & 2.4 Gbps.

INDUSTRY APPROVALS

STANDARDS: EXCEEDS TIA/EIA 568-B.2-1 CAT 6 & ISO/IEC 11801:2002 CAT 6 HORIZONTAL CABLE

LISTINGS: PL: UL/cUL TYPE CMP
NP: UL/cUL TYPE CMR

PERFORMANCE: ETL VERIFIED TO TIA/EIA 568-B.2-1 CAT 6

CONSTRUCTION

PRIMARIES: CONDUCTOR: 23 AWG (.6 mm) SOLID BARE COPPER

PL: DUAL INSULATION, FEP ON ALL 4 PAIRS
NP: THERMOPLASTIC POLYOLEFIN

PAIR ASSEMBLY: 2 PRIMARIES TWISTED IN VARIED LAYS

COLOR CODE: SEE TABLE 1

CABLE ASSEMBLY: 4 PAIRS CABLED TOGETHER WITH A FLEXWEB CORE SEPARATOR

JACKET: PL: NO LEAD PLENUM RATED THERMOPLASTIC
NP: NO LEAD FLAME RETARDANT THERMOPLASTIC

JACKET COLOR: SEE TABLE 2

NOMINAL CABLE OD: PL: .225" (5.7 mm)
NP: .225" (5.7 mm)

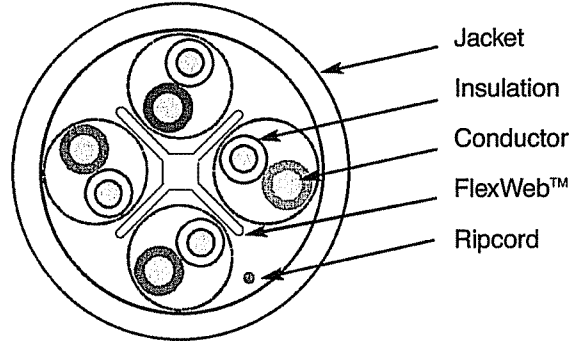


TABLE 1

PAIR NUMBER	PAIR COLOR CODE	
	1	WHITE-BLUE
2	WHITE-ORANGE	ORANGE
3	WHITE-GREEN	GREEN
4	WHITE-BROWN	BROWN

TABLE 2

PLENUM		NON-PLENUM	
PART NUMBER	JACKET COLOR	PART NUMBER	JACKET COLOR
M56905	WHITE	M56889	WHITE
M57193	BLUE	M57202	BLUE
M57194	PINK	M57203	PINK
M57195	YELLOW	M57204	YELLOW
M57196	GRAY	M57205	LT. GRAY
M57197	LIME GREEN	M57206	GREEN
M57198	RED	M57207	RED
M57199	ORANGE	M57208	ORANGE
M57200	BLACK	M57209	BLACK
M57201	VIOLET	M57210	VIOLET

PHYSICAL CHARACTERISTICS

CABLE WEIGHT: PL: 33 lbs/1000ft (49 kg/km)

NP: 30 lbs/1000ft (45 kg/km)

BENDING RADIUS: PL: 1" (25 mm) MIN (4 x CABLE OD)

PULLING TENSION: 25 lbf (110 N) MAX

OPERATING TEMP.: -20°C to +60°C (-4°F to +140°F)

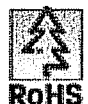
STORAGE TEMP.: -20°C to +75°C (-4°F to +167°F)

INSTALLATION TEMP.: 0°C to +60°C (+32°F to +140°F)

*THE INSTALLATION TEMPERATURE REFERS TO THE TEMPERATURE OF THE CABLE WHILE BEING INSTALLED OR PULLED. DO NOT INSTALL CABLE BELOW 0°C (+32°F).

PL = PLENUM
NP = NON-PLENUM

MOHAWK
Cabling Excellence for Open Architecture



AdvanceNet™

4 Pair #23 AWG UTP Category 6e Cable

ELECTRICAL CHARACTERISTICS (REF TABLE 3)

CONDUCTOR DCR:	7.8 Ω/100m (23.8 Ω/Mft) MAX
DCR UNBALANCE:	3% MAX
MUTUAL CAPACITANCE:	46 pF/m (14 pF/ft) NOM
CAPACITANCE UNBALANCE PAIR/GROUND:	66 pF/100m (200 pF/Mft) MAX
CHARACTERISTIC IMPEDANCE:	100 Ω ± 15% (1-350 MHz)
INPUT IMPEDANCE:	100 Ω ± 15% (1-100 MHz) 100 Ω ± 18% (>100-200 MHz) 100 Ω ± 22% (>200-350 MHz)
RETURN LOSS (RL):	20 + 7 log ₁₀ (f) dB MIN (1-10 MHz) 27 dB MIN (>10-20 MHz) 27 - 5.58 log ₁₀ (f/20) dB MIN (>20 MHz)

INSERTION LOSS: (ATTENUATION) $1.795 \sqrt{f} + .017 f + \frac{.20}{\sqrt{f}}$ dB/100m MAX

NEAR END CROSSTALK (NEXT): 48.3 - 15 log₁₀(f/100) dB/100m MIN

POWER SUM NEAR END CROSSTALK (PS-NEXT): 46.3 - 15 log₁₀(f/100) dB/100m MIN

EQUAL LEVEL FAR END CROSSTALK (ELFEXT): 30 - 20 log₁₀(f/100) dB/100m MIN

POWER SUM EQUAL LEVEL FAR END CROSSTALK (PS-ELFEXT): 28 - 20 log₁₀(f/100) dB/100m MIN

PROPAGATION DELAY: 534 + 36 / √f ns/100m MAX

DELTA DELAY (SKEW): 25 ns/100m MAX

NOMINAL VELOCITY OF PROPAGATION (NVP): 72% PLENUM
68% NON-PLENUM

WHERE f = FREQUENCY IN MHz from .772 to 350 MHz, except for ELFEXT and PS-ELFEXT from 1 to 350 MHz.

TABLE 3

REFERENCE ELECTRICAL CHARACTERISTICS

FREQ (MHz)	INSERTION LOSS (dB/100m)		NEXT (dB/100m)		ACR (dB/100m)	PS-NEXT (dB/100m)		PS-ACR (dB/100m)	ELFEXT (dB/100m)	PS-ELFEXT (dB/100m)	RL (dB)
	avg	max	avg	min	min	avg	min	min	min	min	min
.772	1.6	1.8	90	80.0	78.2	83	78.0	76.2	-	-	-
1.0	1.8	2.0	88	78.3	76.3	81	76.3	74.3	70.0	68.0	20.0
4.0	3.5	3.8	79	69.3	65.5	72	67.3	63.5	58.0	56.0	24.2
8.0	4.9	5.3	75	64.8	59.5	68	62.8	57.5	51.9	49.9	26.3
10.0	5.6	5.9	73	63.3	57.4	66	61.3	55.4	50.0	48.0	27.0
16.0	7.1	7.5	70	60.2	52.7	63	58.2	50.7	45.9	43.9	27.0
20.0	7.9	8.4	69	58.8	50.4	62	56.8	48.4	44.0	42.0	27.0
25.0	8.8	9.4	67	57.3	47.9	60	55.3	45.9	42.0	40.0	26.5
31.25	10.0	10.6	66	55.9	45.3	59	53.9	43.3	40.1	38.1	25.9
62.5	14.3	15.3	61	51.4	36.1	54	49.4	34.1	34.1	32.1	24.2
100.0	18.4	19.7	58	48.3	28.6	51	46.3	26.6	30.0	28.0	23.1
155.0	23.4	25.0	55	45.4	20.4	48	43.4	18.4	26.2	24.2	22.0
200.0	27.0	28.8	54	43.8	15.0	47	41.8	13.0	24.0	22.0	21.4
250.0	30.5	32.6	52	42.3	9.7	45	40.3	7.7	22.0	20.0	20.9
300.0	33.9	36.2	51	41.1	4.9	44	39.1	2.9	20.5	18.5	20.4
350.0	37.0	39.5	50	40.1	0.6	43	38.1	-	19.1	17.1	20.1
400.0	40.0	42.7	49	39.3	-	42	37.3	-	18.0	16.0	19.7
500.0	45.5	48.6	48	37.8	-	41	35.8	-	16.0	14.0	19.2
550.0	48.2	51.5	47	37.2	-	40	35.2	-	-	-	19.0
600.0	50.7	54.2	47	36.6	-	40	34.6	-	-	-	18.8
650.0	53.2	56.8	46	36.1	-	39	34.1	-	-	-	18.6

VALUES ABOVE 350 MHz ARE FOR ENGINEERING INFORMATION ONLY.

Mohawk reserves the right to change specification in the interest of product enhancement.



9 Mohawk Drive, Leominster, MA 01453
 (978) 537-9961 • 1-800-422-9961 • FAX (978) 537-4358
 info@mohawk-cable.com www.mohawk-cable.com
 ©Mohawk 6/2006