



State of West Virginia
 Department of Administration
 Purchasing Division
 2019 Washington Street East
 Post Office Box 50130
 Charleston, WV 25305-0130

Request for Quotation

RFQ NUMBER
707EC009

PAGE
1

ADDRESS CORRESPONDENCE TO ATTENTION OF
JOHN JOHNSTON
304-558-2402

RFQ COPY
 TYPE NAME/ADDRESS HERE

VENDOR

*Dresser
 North America*

SHIP TO

DIVISION OF HIGHWAYS
 EQUIPMENT DIVISION
 ROUTE 33
 BRUSHY FORK ROAD
 BUCKHANNON, WV
 26201 304-472-1750

DATE PRINTED 09/17/2006	TERMS OF SALE	SHIP VIA	F.O.B.	FREIGHT TERMS
BID OPENING DATE: 10/25/2006		BID OPENING TIME 01:30PM		

LINE	QUANTITY	UOP	CAT NO.	ITEM NUMBER	UNIT PRICE	AMOUNT
0001	1	EA		760-06	<i>#84,755</i>	<i>#84,755</i>
75 HORSEPOWER TRACTOR/DOZER WITH WINCH AND BLADE OPEN END CONTRACT TO PROVIDE 75 HORSEPOWER TRACTOR/DOZER WITH WINCH AND BLADE AS DESCRIBED IN ATTACHED PROCUREMENT SPECIFICATION 300-2-B THERE WILL BE A MANDATORY PRE-BID CONFERENCE AT THE STATE CAPITOL COMPLEX, BUILDING 15, CONFERENCE ROOM, AT 10:00 AM ON 10/12/06. FAILURE TO ATTEND THE PRE-BID CONFERENCE WILL RESULT IN BID DISQUALIFICATION. QUESTIONS: WRITTEN QUESTIONS WILL BE ACCEPTED THROUGH CLOSE OF BUSINESS (5:00 EST) ON TUESDAY 10/3/06. SEND YOUR QUESTIONS TO: PURCHASING DIVISION ATTENTION JOHN JOHNSTON 2019 WASHINGTON ST. E. CHARLESTON, WV. 25305 QUESTIONS MAY BE SENT VIA FAX, E-MAIL, OR REGULAR MAIL. E-MAIL: JJOHNSTON@WVADMIN.GOV FAX: 304-558-4115 IT IS THE VENDORS RESPONSIBILITY TO VERIFY THAT THEIR QUESTIONS HAVE BEEN RECEIVED BY CALLING 304-558-2402. EXHIBIT 2 LIFE OF CONTRACT: THIS CONTRACT BECOMES EFFECTIVE ON AND EXTENDS FOR A PERIOD OF ONE (1) YEAR OR UNTIL SUCH "REASONABLE TIME" THEREAFTER AS IS						

SEE REVERSE SIDE FOR TERMS AND CONDITIONS

SIGNATURE	TELEPHONE	DATE
TITLE	FEIN	ADDRESS CHANGES TO BE NOTED ABOVE

WHEN RESPONDING TO RFQ, INSERT NAME AND ADDRESS IN SPACE ABOVE LABELED 'VENDOR'



State of West Virginia
 Department of Administration
 Purchasing Division
 2019 Washington Street East
 Post Office Box 50130
 Charleston, WV 25305-0130

Request for Quotation

RFQ NUMBER
707EC009

PAGE
2

ADDRESS CORRESPONDENCE TO ATTENTION OF
JOHN JOHNSTON 304-558-2402

RFQ COPY
 TYPE NAME/ADDRESS HERE

VENDOR

SHIP TO

DIVISION OF HIGHWAYS
 EQUIPMENT DIVISION
 ROUTE 33
 BRUSHY FORK ROAD
 BUCKHANNON, WV
 26201 304-472-1750

DATE PRINTED	TERMS OF SALE	SHIP VIA	F.O.B.	FREIGHT TERMS
09/17/2006				

BID OPENING DATE: 10/25/2006 BID OPENING TIME 01:30PM

LINE	QUANTITY	UOP	CAT. NO.	ITEM NUMBER	UNIT PRICE	AMOUNT
<p>NECESSARY TO OBTAIN A NEW CONTRACT OR RENEW THE ORIGINAL CONTRACT. THE "REASONABLE TIME" PERIOD SHALL NOT EXCEED TWELVE (12) MONTHS. DURING THIS "REASONABLE TIME" THE VENDOR MAY TERMINATE THIS CONTRACT FOR ANY REASON UPON GIVING THE DIRECTOR OF PURCHASING THIRTY (30) DAYS WRITTEN NOTICE.</p> <p>UNLESS SPECIFIC PROVISIONS ARE STIPULATED IN THIS CONTRACT DOCUMENT, THE TERMS, CONDITIONS, AND PRICING SET HEREIN ARE FIRM FOR THE LIFE OF THE CONTRACT.</p> <p>RENEWAL: THIS CONTRACT MAY BE RENEWED UPON THE MUTUAL WRITTEN CONSENT OF THE SPENDING UNIT AND VENDOR, SUBMITTED TO THE DIRECTOR OF PURCHASING THIRTY (30) DAYS PRIOR TO THE EXPIRATION DATE. SUCH RENEWAL SHALL BE IN ACCORDANCE WITH THE TERMS AND CONDITIONS OF THE ORIGINAL CONTRACT AND SHALL BE LIMITED TO TWO (2) ONE (1) YEAR PERIODS.</p> <p>CANCELLATION: THE DIRECTOR OF PURCHASING RESERVES THE RIGHT TO CANCEL THIS CONTRACT IMMEDIATELY UPON WRITTEN NOTICE TO THE VENDOR IF THE COMMODITIES AND/OR SERVICES SUPPLIED ARE OF AN INFERIOR QUALITY OR DO NOT CONFORM WITH THE SPECIFICATIONS OF THE BID AND CONTRACT HEREIN</p> <p>OPEN MARKET CLAUSE: THE DIRECTOR OF PURCHASING MAY AUTHORIZE A SPENDING UNIT TO PURCHASE ON THE OPEN MARKET, WITHOUT THE FILING OF A REQUISITION OR COST ESTIMATE, ITEMS SPECIFIED ON THIS CONTRACT FOR IMMEDIATE DELIVERY IN EMERGENCIES DUE TO UNFORESEEN CAUSES (INCLUDING BUT NOT LIMITED TO DELAYS IN TRANSPORTATION OR AN UNANTICIPATED INCREASE IN THE VOLUME OF WORK).</p> <p>QUANTITIES: QUANTITIES LISTED IN THE REQUISITION ARE APPROXIMATIONS ONLY, BASED ON ESTIMATES SUPPLIES BY THE STATE SPENDING UNIT. IT IS UNDERSTOOD AND AGREED THAT</p>						

SEE REVERSE SIDE FOR TERMS AND CONDITIONS

SIGNATURE	TELEPHONE	DATE
TITLE	FEIN	ADDRESS CHANGES TO BE NOTED ABOVE

WHEN RESPONDING TO RFQ, INSERT NAME AND ADDRESS IN SPACE ABOVE LABELED 'VENDOR'



State of West Virginia
 Department of Administration
 Purchasing Division
 2019 Washington Street East
 Post Office Box 50130
 Charleston, WV 25305-0130

Request for Quotation

RFQ NUMBER
707EC009

PAGE
3

ADDRESS CORRESPONDENCE TO ATTENTION OF:
JOHN JOHNSTON 304-558-2402

RFQ COPY
 TYPE NAME/ADDRESS HERE

VENDOR

SHIP TO

DIVISION OF HIGHWAYS
 EQUIPMENT DIVISION
 ROUTE 33
 BRUSHY FORK ROAD
 BUCKHANNON, WV
 26201 304-472-1750

DATE PRINTED	TERMS OF SALE	SHIP VIA	F.O.B.	FREIGHT TERMS
09/17/2006				

BID OPENING DATE: 10/25/2006 BID OPENING TIME 01:30PM

LINE	QUANTITY	UOP	CAT. NO.	ITEM NUMBER	UNIT PRICE	AMOUNT
<p>THE CONTRACT SHALL COVER THE QUANTITIES ACTUALLY ORDERED FOR DELIVERY DURING THE TERM OF CONTRACT, WHETHER MORE OR LESS THAN THE QUANTITIES SHOWN.</p> <p>ORDERING PROCEDURE: SPENDING UNIT(S) SHALL ISSUE A WRITTEN EQUIPMENT CONTRACT ORDER (FORM NUMBER WV-35) FOR COMMODITIES COVERED BY THIS CONTRACT. THE ORIGINAL WV-35 MUST BE SENT TO THE PURCHASING DIVISION OF THE DEPARTMENT OF ADMINISTRATION. AFTER APPROVAL AND ENCUMBRANCE, ONE COPY OF THE PURCHASE ORDER WILL BE RETURNED TO THE SPENDING UNIT AND ONE COPY FORWARDED TO THE VENDOR AS AUTHORIZATION FOR SHIPMENT. NO ORDER IS VALID UNLESS APPROVED AND ENCUMBERED BY THE PURCHASING DIVISION.</p> <p>BANKRUPTCY: IN THE EVENT THE VENDOR/CONTRACTOR FILES FOR BANKRUPTCY PROTECTION, THIS CONTRACT IS AUTOMATICALLY NULL AND VOID, AND IS TERMINATED WITHOUT FURTHER ORDER.</p> <p>REV. 9/98</p> <p>EXHIBIT 6</p> <p>PRICE ADJUSTMENT PROVISION: THE STATE OF WEST VIRGINIA WILL CONSIDER BIDS THAT CONTAIN PROVISIONS FOR PRICE ADJUSTMENTS PRIOR TO THE ORIGINAL EXPIRATION OF THE CONTRACT, PROVIDED THAT SUCH PRICE ADJUSTMENT COVERS BOTH UPWARD AND DOWNWARD MOVEMENT OF THE COMMODITY PRICE, AND THAT ADJUSTMENT IS BASED ON THE "PASS THROUGH" INCREASE OR DECREASE OF RAW MATERIALS AND/OR LABOR, WHICH MAKE UP ALL OR A SUBSTANTIAL PART OF A PRODUCT. ADJUSTMENTS ARE TO BE BASED UPON AN ACTUAL DOLLAR FIGURE, NOT A PERCENTAGE. ALL PRICE ADJUSTMENT REQUESTS MUST BE SUBSTANTIATED IN</p>						

SEE REVERSE SIDE FOR TERMS AND CONDITIONS

SIGNATURE	TELEPHONE	DATE
TITLE	FEIN	ADDRESS CHANGES TO BE NOTED ABOVE

WHEN RESPONDING TO RFQ, INSERT NAME AND ADDRESS IN SPACE ABOVE LABELED 'VENDOR'



State of West Virginia
 Department of Administration
 Purchasing Division
 2019 Washington Street East
 Post Office Box 50130
 Charleston, WV 25305-0130

Request for Quotation

RFQ NUMBER
707EC009

PAGE
4

ADDRESS CORRESPONDENCE TO ATTENTION OF:
JOHN JOHNSTON 304-558-2402

RFQ COPY
 TYPE NAME/ADDRESS HERE

VENDOR

SHIP TO

DIVISION OF HIGHWAYS
 EQUIPMENT DIVISION
 ROUTE 33
 BRUSHY FORK ROAD
 BUCKHANNON, WV
 26201 304-472-1750

DATE PRINTED	TERMS OF SALE	SHIP VIA	F.O.B.	FREIGHT TERMS
09/17/2006				

BID OPENING DATE: 10/25/2006 BID OPENING TIME 01:30PM

LINE	QUANTITY	UOP	CAT. NO.	ITEM NUMBER	UNIT PRICE	AMOUNT
<p>A MANNER ACCEPTABLE TO THE DIRECTOR PURCHASING, E.G. GOVERNMENTAL BENCH MARKS, GENERAL MARKET INCREASE, PUBLISHED PRICE LISTS. SUCH REQUESTS FOR AND INCREASE SHOULD BE RECEIVED IN WRITING BY THE DIRECTOR OF PURCHASING AT LEAST 30 DAYS IN ADVANCE OF THE EFFECTIVE DATE OF THE INCREASE. ANY TIME THE VENDOR REQUESTS A PRICE ADJUSTMENT, THE PURCHASING DIVISION MAY EITHER ACCEPT THE PRICE ADJUSTMENT AND AMEND THE CONTRACT ACCORDINGLY OR REJECT THE ADJUSTMENT IN ITS ENTIRETY AND CANCEL THE CONTRACT.</p> <p>VENDOR PREFERENCE CERTIFICATE</p> <p>CERTIFICATION AND APPLICATION* IS HEREBY MADE FOR PREFERENCE IN ACCORDANCE WITH WEST VIRGINIA CODE, 5A-3-37 (DOES NOT APPLY TO CONSTRUCTION CONTRACTS).</p> <p>A. APPLICATION IS MADE FOR 2.5% PREFERENCE FOR THE REASON CHECKED:</p> <p>() BIDDER IS AN INDIVIDUAL RESIDENT VENDOR AND HAS RESIDED CONTINUOUSLY IN WEST VIRGINIA FOR FOUR (4) YEARS IMMEDIATELY PRECEDING THE DATE OF THIS CERTIFICATION; OR</p> <p>() BIDDER IS A PARTNERSHIP, ASSOCIATION OR CORPORATION RESIDENT VENDOR AND HAS MAINTAINED ITS HEAD-QUARTERS OR PRINCIPAL PLACE OF BUSINESS CONTINUOUSLY IN WEST VIRGINIA FOR FOUR (4) YEARS IMMEDIATELY PRECEDING THE DATE OF THIS CERTIFICATION; OR 80% OF THE OWNERSHIP INTEREST OF BIDDER IS HELD BY ANOTHER INDIVIDUAL, PARTNERSHIP, ASSOCIATION OR CORPORATION RESIDENT VENDOR WHO HAS MAINTAINED ITS HEADQUARTERS OR PRINCIPAL PLACE OF BUSINESS CONTINUOUSLY IN WEST VIRGINIA FOR FOUR (4) YEARS IMMEDIATELY PRECEDING THE DATE OF THIS CERTIFICATION; OR</p>						

SEE REVERSE SIDE FOR TERMS AND CONDITIONS

SIGNATURE	TELEPHONE	DATE
TITLE	FEIN	ADDRESS CHANGES TO BE NOTED ABOVE

WHEN RESPONDING TO RFQ, INSERT NAME AND ADDRESS IN SPACE ABOVE LABELED 'VENDOR'



State of West Virginia
 Department of Administration
 Purchasing Division
 2019 Washington Street East
 Post Office Box 50130
 Charleston, WV 25305-0130

Request for Quotation

RFQ NUMBER
707EC009

PAGE
5

ADDRESS CORRESPONDENCE TO ATTENTION OF
JOHN JOHNSTON 304-558-2402

RFQ COPY
 TYPE NAME/ADDRESS HERE

VENDOR

SHIP TO

DIVISION OF HIGHWAYS
 EQUIPMENT DIVISION
 ROUTE 33
 BRUSHY FORK ROAD
 BUCKHANNON, WV
 26201 304-472-1750

DATE PRINTED	TERMS OF SALE	SHIP VIA	F.O.B.	FREIGHT TERMS
09/17/2006				

BID OPENING DATE: 10/25/2006 BID OPENING TIME 01:30PM

LINE	QUANTITY	UOP	CAT NO	ITEM NUMBER	UNIT PRICE	AMOUNT
<p>() BIDDER IS A CORPORATION NONRESIDENT VENDOR WHICH HAS AN AFFILIATE OR SUBSIDIARY WHICH EMPLOYS A MINIMUM OF ONE HUNDRED STATE RESIDENTS AND WHICH HAS MAINTAINED ITS HEADQUARTERS OR PRINCIPAL PLACE OF BUSINESS WITHIN WEST VIRGINIA CONTINUOUSLY FOR THE FOUR (4) YEARS IMMEDIATELY PRECEDING THE DATE OF THIS CERTIFICATION.</p> <p>B. APPLICATION IS MADE FOR 2.5% PREFERENCE FOR THE REASON CHECKED:</p> <p>() BIDDER IS A RESIDENT VENDOR WHO CERTIFIES THAT, DURING THE LIFE OF THE CONTRACT, ON AVERAGE AT LEAST 75% OF THE EMPLOYEES WORKING ON THE PROJECT BEING BID ARE RESIDENTS OF WEST VIRGINIA WHO HAVE RESIDED IN THE STATE CONTINUOUSLY FOR THE TWO YEARS IMMEDIATELY PRECEDING SUBMISSION OF THIS BID;</p> <p>OR</p> <p>() BIDDER IS A NONRESIDENT VENDOR EMPLOYING A MINIMUM OF ONE HUNDRED STATE RESIDENTS OR IS A NONRESIDENT VENDOR WITH AN AFFILIATE OR SUBSIDIARY WHICH MAINTAINS ITS HEADQUARTERS OR PRINCIPAL PLACE OF BUSINESS WITHIN WEST VIRGINIA EMPLOYING A MINIMUM OF ONE HUNDRED STATE RESIDENTS WHO CERTIFIES THAT, DURING THE LIFE OF THE CONTRACT, ON AVERAGE AT LEAST 75% OF THE EMPLOYEES OR BIDDERS' AFFILIATE'S OR SUBSIDIARY'S EMPLOYEES ARE RESIDENTS OF WEST VIRGINIA WHO HAVE RESIDED IN THE STATE CONTINUOUSLY FOR THE TWO YEARS IMMEDIATELY PRECEDING SUBMISSION OF THIS BID.</p> <p>BIDDER UNDERSTANDS IF THE SECRETARY OF TAX & REVENUE DETERMINES THAT A BIDDER RECEIVING PREFERENCE HAS FAILED TO CONTINUE TO MEET THE REQUIREMENTS FOR SUCH PREFERENCE, THE SECRETARY MAY ORDER THE DIRECTOR OF PURCHASING TO: (A) RESCIND THE CONTRACT OR PURCHASE</p>						

SEE REVERSE SIDE FOR TERMS AND CONDITIONS

SIGNATURE	TELEPHONE	DATE
TITLE	FEIN	ADDRESS CHANGES TO BE NOTED ABOVE

WHEN RESPONDING TO RFQ, INSERT NAME AND ADDRESS IN SPACE ABOVE LABELED 'VENDOR'



State of West Virginia
 Department of Administration
 Purchasing Division
 2019 Washington Street East
 Post Office Box 50130
 Charleston, WV 25305-0130

Request for Quotation

RFQ NUMBER
707EC009

PAGE
6

ADDRESS CORRESPONDENCE TO ATTENTION OF:
JOHN JOHNSTON 304-558-2402

RFQ COPY
 TYPE NAME/ADDRESS HERE

VENDOR

SHIP TO

DIVISION OF HIGHWAYS
 EQUIPMENT DIVISION
 ROUTE 33
 BRUSHY FORK ROAD
 BUCKHANNON, WV
 26201 304-472-1750

DATE PRINTED	TERMS OF SALE	SHIP VIA	F.O.B.	FREIGHT TERMS
09/17/2006				

BID OPENING DATE: 10/25/2006 BID OPENING TIME 01:30PM

LINE	QUANTITY	UOP	CAT. NO.	ITEM NUMBER	UNIT PRICE	AMOUNT
<p>ORDER ISSUED; OR (B) ASSESS A PENALTY AGAINST SUCH BIDDER IN AN AMOUNT NOT TO EXCEED 5% OF THE BID AMOUNT AND THAT SUCH PENALTY WILL BE PAID TO THE CONTRACTING AGENCY OR DEDUCTED FROM ANY UNPAID BALANCE ON THE CONTRACT OR PURCHASE ORDER.</p> <p>BY SUBMISSION OF THIS CERTIFICATE, BIDDER AGREES TO DISCLOSE ANY REASONABLY REQUESTED INFORMATION TO THE PURCHASING DIVISION AND AUTHORIZES THE DEPARTMENT OF TAX AND REVENUE TO DISCLOSE TO THE DIRECTOR OF PURCHASING APPROPRIATE INFORMATION VERIFYING THAT BIDDER HAS PAID THE REQUIRED BUSINESS TAXES, PROVIDED THAT SUCH INFORMATION DOES NOT CONTAIN THE AMOUNTS OF TAXES PAID NOR ANY OTHER INFORMATION DEEMED BY THE TAX COMMISSIONER TO BE CONFIDENTIAL.</p> <p>UNDER PENALTY OF LAW FOR FALSE SWEARING (WEST VIRGINIA CODE 61-5-3), BIDDER HEREBY CERTIFIES THAT THIS CERTIFICATE IS TRUE AND ACCURATE IN ALL RESPECTS; AND THAT IF A CONTRACT IS ISSUED TO BIDDER AND IF ANYTHING CONTAINED WITHIN THIS CERTIFICATE CHANGES DURING THE TERM OF THE CONTRACT, BIDDER WILL NOTIFY THE PURCHASING DIVISION IN WRITING IMMEDIATELY.</p> <p>BIDDER: <u>DRUSSETO MORRIS ANGLICO</u></p> <p>DATE: <u>10/19/06</u></p> <p>SIGNED: <u>[Signature]</u></p> <p>TITLE: <u>President</u></p>						

SEE REVERSE SIDE FOR TERMS AND CONDITIONS

SIGNATURE	TELEPHONE	DATE
-----------	-----------	------

TITLE	FEIN	ADDRESS CHANGES TO BE NOTED ABOVE
-------	------	-----------------------------------

WHEN RESPONDING TO RFQ, INSERT NAME AND ADDRESS IN SPACE ABOVE LABELED 'VENDOR'



State of West Virginia
 Department of Administration
 Purchasing Division
 2019 Washington Street East
 Post Office Box 50130
 Charleston, WV 25305-0130

Request for Quotation

RFQ NUMBER
707EC009

PAGE
8

ADDRESS CORRESPONDENCE TO ATTENTION OF:
JOHN JOHNSTON 304-558-2402

RFQ COPY
 TYPE NAME/ADDRESS HERE

VENDOR

SHIP TO

DIVISION OF HIGHWAYS
 EQUIPMENT DIVISION
 ROUTE 33
 BRUSHY FORK ROAD
 BUCKHANNON, WV
 26201 304-472-1750

DATE PRINTED	TERMS OF SALE	SHIP VIA	F.O.B.	FREIGHT TERMS
09/17/2006				

BID OPENING DATE: 10/25/2006 BID OPENING TIME 01:30PM

LINE	QUANTITY	UOP	CAT NO.	ITEM NUMBER	UNIT PRICE	AMOUNT
				FAX 847-537-2873		
				CONTACT PERSON (PLEASE PRINT CLEARLY):		
				T.C. McGOULGLE		
***** THIS IS THE END OF RFQ 707EC009 ***** TOTAL:						<u>\$84,755</u>

SEE REVERSE SIDE FOR TERMS AND CONDITIONS

SIGNATURE	TELEPHONE	DATE
TITLE	FEIN	ADDRESS CHANGES TO BE NOTED ABOVE

WHEN RESPONDING TO RFQ, INSERT NAME AND ADDRESS IN SPACE ABOVE LABELED 'VENDOR'

NOTE: Vendor should type Bidder's Evaluation Report

WEST VIRGINIA DEPARTMENT OF TRANSPORTATION
DIVISION OF HIGHWAYS
EQUIPMENT DIVISION

BIDDER'S EVALUATION REPORT

PROCUREMENT SPECIFICATIONS FOR OPEN END CONTRACT
NO. 300-2-B

75 HORSEPOWER TRACTOR/DOZER WITH WINCH AND BLADE

NOTE TO BIDDER: Procurement Specification No. 300-2-B, Paragraph 2.0 recommends the completion and submittal of this Report with your bid. Purpose of this Report is to enable the West Virginia Division of Highways Evaluation Committee to make full and fair evaluation of the bid.

FAILURE TO SUBMIT THIS REPORT, COMPLETE IN ITS ENTIRETY, MAY SUBJECT THE BIDDER TO DISQUALIFICATION.

Reference Requisition No.: 707EC009

Bidder's Name: DRESSER NORTH AMERICA

Address: 1327 BARCLAY BLVD. BUFFALO GROVE, IL 60089

Telephone Number: 847-537-4388

Years Bidder has been registered to do business with the State of West Virginia: 1 YRS.

Years Company has been an authorized dealer for proposed unit: 5 YRS.

X4.2 DELIVERY:

X4.2.1 Delivery date of completed representative unit: 45 Calendar Days After Date of Purchase Agreement

X4.2.2 Delivery date of balance of completed units: 120 to 180 Calendar Days After Date of Purchase Agreement
depending on
QTY ORDERED

X5.0 AWARD CRITERIA;

X5.1	Prices in quantities of	1-10	<u>\$84,755</u> per unit
		11-20	<u>\$84,755</u> per unit
		21 and over	<u>\$84,755</u> per unit

X6.0 SPECIFICATIONS - GENERAL

X6.1 Manufacturer, model, series, and date of manufacture of proposed unit:

DRESSER LTD. TD-7 Series 19 2006/07
 Is descriptive literature, fully describing proposed unit attached to your bid? YES NO

If not, why? _____

X6.2 Will the required number of service manuals, and complete parts list be delivered to the Equipment Division at Buckhannon upon completion of delivery of total units? YES NO

Will the required Equipment Preventive Maintenance Form (Section X6.2 of Bidders Evaluation Report) be provided upon inspection of the pilot unit? YES NO

X6.3 TRAINING:

Will training seminar be conducted on Preventive Maintenance, Operator and Mechanic Training YES ___ NO

Will you conduct training with each purchase order against this open end contract? YES ___ NO

Will training be conducted within 2 working days from the delivery of the pilot unit on the individual purchase order? YES ___ NO

If NO, explain time frame _____

Will an Operator's Manual be furnished to the Training Academy? YES ___ NO

X6.4 If you are the successful vendor, will you furnish all training aids, i.e., videos, projectors, required in conducting the training? YES ___ NO

X6.4.1 Will all manuals, booklets, etc. explaining preventive maintenance, operator procedures, and service schedule be delivered with each unit? YES ___ NO
If NO, explain _____

X6.5 WARRANTY AND SERVICE POLICY

Will the warranty and service you provide comply with all areas as stated in Section 6.5 of specifications YES ___ NO

Is warranty literature attached? YES ___ NO

Is a minimum two (2) year bumper to bumper basic warranty included? YES ___ NO

Describe:

COVERS ALL COMPONENTS EXCEPT NORMAL MAINTENANCE ITEMS.

Extended service contract coverage with costs and all associated information:

X6.6 EVALUATION COMMITTEE REQUIREMENTS

Is all component specifications, product literature, component models provided for Evaluation Committee bid determination? YES NO

X6.7 Will all parts, equipment, accessories, material, design and performance characteristics not specified herein, but which are necessary to provide a complete unit, be furnished with the unit and conform in strength, quality of material, and quality of workmanship to those which are advertised and provided to the market in general by the unit industry? YES NO

X6.7.1 Are all parts and accessories adequate and regularly supplied as standard to be included except those which may be duplications of specifications herein, and except these by specification are not to be furnished? YES NO

X6.7.2 Are all standard safety features that are required by Federal and State statutes of law included? YES NO

X7.0 SPECIFICATIONS OF THE QUOTED UNIT

The bidder should complete the following schedule in order for the Division to compare the actual bid unit to the specifications. Should the bidder except a requirement, then such exception may be only on the basis that such feature is not offered by the manufacturer. The Division will have the sole discretion as to whether the bidder's substitution meets the requirements of the specifications.

Manufacturer: DRESSTA Model: TD-7 M

X7.1 Engine:

X7.1.1 Is engine diesel YES NO

X7.1.2 Engine horsepower: 80

X7.1.3 Engine flywheel power: 74 HP

X7.2 Weight:

X7.2.1 Operating weight: 16,200 lbs. minimum and 18,100 lbs. maximum

X7.3 Transmission:

X7.3.1 Travel speed forward: 5.7 MPH/ 9.2 KM/h

X7.3.2 Travel speed reverse: 6.7 MPH/ 10.8 KM/h

X7.4 Cab/ROPS/FOPS:

XD7.4.1 Does unit have fully enclosed cab with air conditioning, ROPS, FOPS, and rear screen
 YES NO

X7.4.1.1 Does ROPS meet SAE J397-Oct. 95, SAFJ1040 May 94, ISO3471-94 ISO 3164-95 Standards
 YES NO

X7.4.1.2 Does FOPS meet SAEJ231-Jan.81, ISO 3449 Standards YES NO

X7.5 Winch:

X7.5.1 Is winch hydrostatic with variable control YES NO

X7.5.2 Drum Capacity: 232 feet

X7.5.3 Minimum line pull (full drum): 12,600 lbs./ _____ kg

X7.5.4 Maximum line speed (full drum): 275 feet/min _____ m/min

X7.5.5 Does winch meet or exceed all OSHA safety requirements YES NO

X7.6 Undercarriage:

X7.6.1 Shoe width: 15 inches/ 381 mm

X7.6.2 Does unit have standard rock guards on each end YES NO

X7.7 Blade:

X7.7.1 Does unit have a 6 way blade YES NO

X7.8 Paint (Describe proposed method of painting and color):

HSW YELLOW POLYURETHANE ENAMEL

X7.9 Does unit comply with OSHA requirements YES NO

X7.10 Does unit comply with advertising guidelines YES NO

X7.11 Preventive Maintenance and Operators Orientation/Training:

X7.11.1 Will manufacturer or dealer conduct seminar YES NO

X7.11.2 Will you furnish all training aids YES NO

WARRANTY CERTIFICATE

DRESSTA NEW MACHINE WARRANTY

DRESSTA Co. Ltd. offers this NEW MACHINE WARRANTY on the following line of products marketed by DRESSTA,
Crawler Dozers & Loaders Pipelayers Rubber Tired Loaders Graders Cranes

Our Promise: We warrant that all new whole machines and attachments and new parts assemblies for the machines sold by DRESSTA will be free from defects in materials and workmanship. We will repair or replace at no charge, any part or parts of the new machine which fail during the period of twelve (12) consecutive months without hour limitation following the date of the machine delivery to the customer, or operating hours, or months from the date of B/L whichever occurs first.

Replacement of Parts Used in Warranty: All parts and assemblies which are furnished and installed by DRESSTA under this warranty are themselves within the coverage of this machine warranty and are covered only for the duration of the original warranty period.

What is Not Covered by DRESSTA: Tires, tubes, KT, LT, NT, M, N, Q, series Cummins engines, and other attachments originally not supplied by DRESSTA, are warranted by specific manufacturers. Regular maintenance replacement parts such as V belts, electrical bulbs, wiper blades, filters and lubricants, maintenance such as fuel, air and hydraulic system cleaning, engine tune-up, broke and/or clutch inspection or other maintenance listed in Operator's Manual when such and adjustments are made as a part of normal scheduled maintenance service, are excluded from coverage. Any product or attachment not supplied by DRESSTA, which may be installed in or upon the machine is also excluded.

Limitations of Our Obligations And Your Remedies: Please carefully note that our warranty to you is a two-way agreement. We promise to make free repairs and replacements during the warranty period, as stated, in consideration for your agreement that this is our only obligation and your only remedy in connection with the machine; and that we shall not be liable for defects, damages or failures caused by unauthorized alternations, use of parts not authorized by DRESSTA, unreasonable use, accident or abuse, including failure to provide reasonable and necessary maintenance after the new machine has been delivered to you.

Separate Cummins Engine Warranty: All KT, LT, NT, M, N, Q, series Cummins engines are warranted by Cummins for a period of one year from date of original delivery.

THIS WARRANTY IS IN LIEU OF ALL OTHER REPRESENTATIONS OR WARRANTIES, EXPRESSED OR IMPLIED, INCLUDING WITHOUT LIMITATION, IMPLIED WARRANTIES OR MERCHANTABILITY AND FITNESS FOR A PARTICULAR USE OR PURPOSE. IN ANY EVENT, WE SHALL NOT BE LIABLE OR RESPONSIBLE FOR ANY INDIRECT, SPECIAL, INCIDENTAL OR CONSEQUENTIAL DAMAGES (INCLUDING WITHOUT LIMITATION, ANY LOSS OR USE OF PROFIT) WHETHER ARISING OR CLAIMED UNDER CONTRACT, TORT (INCLUDING NEGLIGENCE OR STRICT LIABILITY) OR OTHER THEORIES.

Should the defect or a failure occur during the period of validity of this Warranty, we recommend that you bring the machine to the distributor where you purchased it, however you may also take it to the most convenient DRESSTA Distributor or call any organization contracted by DRESSTA for warranty services in your area to carry out the repair at site for the type of the product you have purchased. DRESSTA Service does not assume the cost of transportation of the product to and/or from Servicing Distributor or Organization nor for the travel time or mileage to and/or from a job site. If the warranty repair is completed in the field, it should be practical to proceed as stated at the outset. You must also make the machine available for repair during the warranty period.

ACKNOWLEDGMENT OF RECEIPT OF DRESSTA WARRANTY

I acknowledge receipt of the DRESSTA WARRANTY POLICY and have read and understood the terms and conditions of the CERTIFICATE which is a part of my contract or lease.

Customer signature: _____

Title: _____

Address: _____

Company name: _____

Company address: _____

Customer Name: _____ Delivery Date: _____

Address: _____ Issued by: _____

Machine Model: _____ Distributor/Branch/Agent: _____

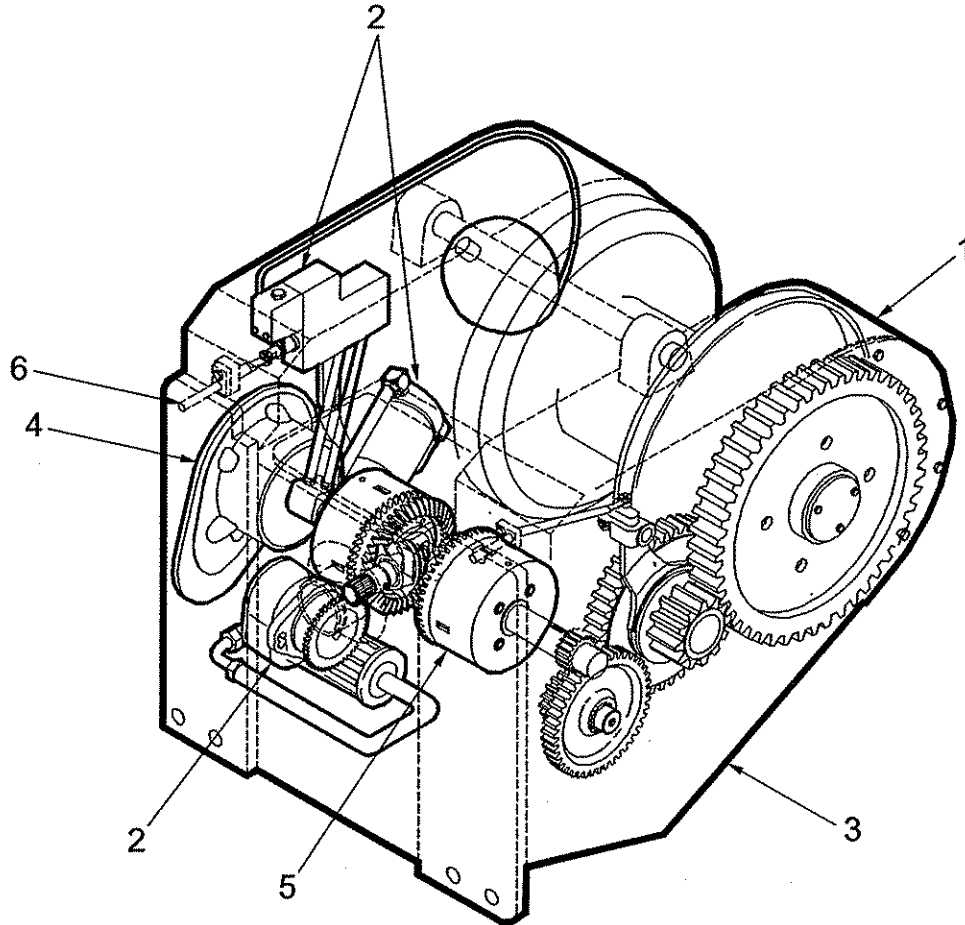
Product Identification Number: _____ Address: _____

Engine Identification Number: _____ Distributor/Branch/Agent Signature: _____

DRESSTA Co.Ltd.



ALLIED WINCHES FOR: DRESSTA DOZERS



W5C shown. (Other models have similar features.)

Features

- 1. FLUSH DRUM**
Drum flush with frame to reduce line wear from side pulls.
- 2. SELF CONTAINED HYDRAULICS (SCH)**
Valve, pump, filter and hydraulic lines are inside winch for long component life and simplified winch installation.
- 3. HEAVY DUTY FRAME**
Protects, and allows easy access to internal components.
- 4. OIL BRAKE**
Spring applied, multiple-disc hydraulically released and oil cooled for long life. No heat fade. Eliminates routine adjustments.
- 5. MULTI-DISC CLUTCH**
Hydraulically applied clutch is automatically synchronized with the oil brake for smooth winch line control.
- 6. SINGLE LEVER CONTROL**
Connected to single spool control valve for excellent line control regardless of application.

ALLIED WINCH

1	DOZER MODEL		TD-7G	TD-8G	TD-7H	TD-8H	TD-9H	TD12-C		
2			W3C	W3C	W3C	W3C	W3C	W5C		
3	WINCH MODEL		W3C	W3C	W3C	W3C	W3C	W5C		
4	STANDARD GEAR RATIO		39/1	39/1	39/1	39/1	39/1	35/1		
5	S T A N D A R D	BARE DRUM	Maximum Line Pull (pounds) *		31100	41400	31400	38000	43400	57600
6			Line Speed @		125 fpm	130 fpm	122 fpm	131 fpm	128 fpm	155 fpm
7			Typical Working Load of (pounds)		10000	12500	10000	12500	25000	20000
8			Maximum Line Speed		160 fpm	141 fpm	168 fpm	157 fpm	155 fpm	196 fpm
9	D A R D	FULL DRUM	Maximum Line Pull (pounds)		17800	23800	18000	21800	30300	31100
10			Line Speed @		155 fpm	160 fpm	174 fpm	130 fpm	60 fpm	157 fpm
11			Typical Working Load of (pounds)		10000	12500	10000	12500	25000	20000
12			Maximum Line Speed		275 fpm	250 fpm	293 fpm	273 fpm	391 fpm	363 fpm

13	O P T I M I Z E D G E A R R A T I O S (Shaded ratios not available for this model)	MAXIMUM LINE SPEED BARE DRUM @ THIS GEAR RATIO	56/1						
14			61/1	102 fpm	92 fpm	110 fpm	103 fpm	99 fpm	
15			66/1						104 fpm
16			72/1						
17			83/1						
18			84/1						
19			94/1						
20			100/1						68 fpm
21			103/1						
22			153/1						

24	DIMENSIONAL DATA (See illustrations)	A	Ground to highest point	45 in.	48 in.	46 in.	46 in.	48 in.	52 in.
25		B	Ground to drum center	34 in.	37 in.	35 in.	35 in.	37 in.	39 in.
26		C	Ground to drawbar center	20 in.	23 in.	21 in.	21 in.	23 in.	23 in.
27		D	Dozer face to end of winch	30 in.	30 in.	30 in.	30 in.	30 in.	35 in.
28		E	Dozer face to drum center	21 in.	21 in.	21 in.	21 in.	21 in.	26 in.
29		F	Dozer face to drawbar center	23 in.	23 in.	23 in.	23 in.	23 in.	22 in.
30		G	Winch max. width (not shown)	28 in.	28 in.	28 in.	28 in.	28 in.	32 in.

31	WEIGHTS (Shaded option not available)	Winch, approx. w/o cable	1420 lbs.	1420 lbs.	1420 lbs.	1420 lbs.	1420 lbs.	1950 lbs.
32		Fairlead	310 lbs.	310 lbs.	310 lbs.	310 lbs.	310 lbs.	400 lbs.
33		Drawbar	55 lbs.	55 lbs.	55 lbs.	55 lbs.	55 lbs.	w/winch
34		Integral Arch	420 lbs.	420 lbs.	420 lbs.	420 lbs.	420 lbs.	875 lbs.

CABLE CAPACITY

35	WINCH CABLE CAPACITY (Shaded option not available) <small>(Cable capacity of drum based on SAE J1158 JAN 85)</small>	Winch Model	Barrel Diameter	CABLE DIAMETER					
36				1/2 in.	5/8 in.	3/4 in.	7/8 in.	1 in.	
37			W3C	8.00 in.	354 ft.	232 ft.	164 ft.		
38			W5C	8.56 in.		423 ft.	298 ft.	215 ft.	
39			W6G	10.00 in.			399 ft.	287 ft.	223 ft.
40			W8L	12.00 in.				354 ft.	275 ft.
41	W12E	14.00 in.					285 ft.		

42 **Notes:**

43

44

45

46 Allied Systems Company reserves the right to change and/or improve specifications and performance at its own discretion without prior notice

S FOR DRESSTA DOZERS

D-15E	TD-15H	TD-20G	TD-20H	TD-25E	TD-25G TD25H	SB-60	TD-40C
W6G	W6G	W8L	W8L	W12E	W12E	W12E	W12E
45/1	45/1	50/1	50/1	60/1	60/1	60/1	84/1
9800	89800	113000	113000	138800	138800	138800	138800
13 fpm	118 fpm	119 fpm	119 fpm	119 fpm	119 fpm	119 fpm	93 fpm
30000	30000	40000	40000	60000	60000	60000	100000
9 fpm	151 fpm	164 fpm	164 fpm	152 fpm	155 fpm	155 fpm	113 fpm
39700	56000	59400	80000	138800	138800	138800	138800
31 fpm	130 fpm	132 fpm	132 fpm	132 fpm	130 fpm	130 fpm	116 fpm
30000	30000	40000	40000	60000	60000	60000	100000
20 fpm	271 fpm	267 fpm	267 fpm	242 fpm	242 fpm	242 fpm	176 fpm

20 fpm	121 fpm						
		113 fpm	113 fpm				
9 fpm	80 fpm						
				112 fpm	108 fpm	108 fpm	
		82 fpm	87 fpm				
5 fpm	66 fpm						
4 fpm	44 fpm						

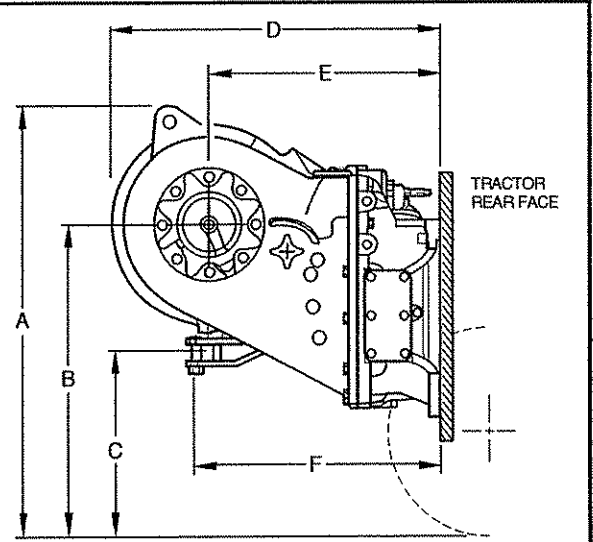
56 in.	56 in.	64 in.	64 in.	67 in.	67 in.	67 in.	78 in.
42 in.	42 in.	49 in.	49 in.	51 in.	51 in.	51 in.	62 in.
23 in.	23 in.	25 in.	25 in.	26 in.	26 in.	26 in.	37 in.
39 in.	39 in.	34 in.	34 in.	42 in.	42 in.	42 in.	42 in.
29 in.	29 in.	23 in.	23 in.	29 in.	29 in.	29 in.	29 in.
27 in.	27 in.	27 in.	27 in.	34 in.	34 in.	34 in.	34 in.
38 in.	38 in.	41 in.	41 in.	48 in.	48 in.	48 in.	48 in.

300 lbs.	2900 lbs.	2950 lbs.	2950 lbs.	4825 lbs.	4825 lbs.	4825 lbs.	5300 lbs.
00 lbs.	800 lbs.	800 lbs.	800 lbs.	1230 lbs.	1230 lbs.	1230 lbs.	1230 lbs.
w/winch	w/winch	w/winch	w/winch	w/winch	w/winch	w/winch	w/winch
15 lbs.	1015 lbs.						

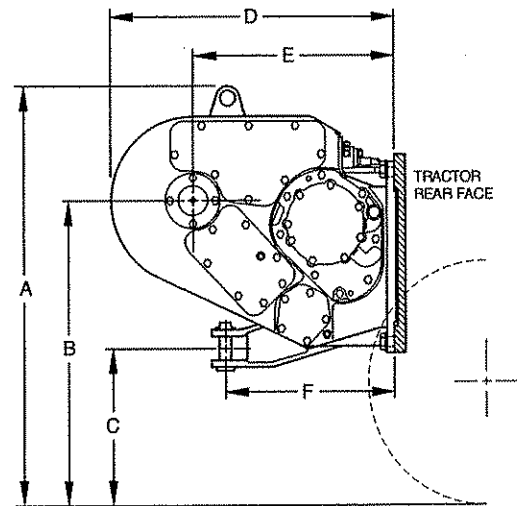
FERRULE				
1/8 in.	1 1/4 in.	Name	Length	Diameter
		Bantam	2 in.	1 1/2 in.
		Light	2 1/4 in.	2 in.
		Light	2 1/4 in.	2 in.
220 ft.		Junior	2 3/8 in.	2 1/4 in.
228 ft.	181 ft.	Junior	2 3/8 in.	2 1/4 in.

* Maximum line pull is the lesser of the maximum line pull that the dozer will develop with the standard gear ratio or the breaking strength for the maximum recommended cable for that winch model.

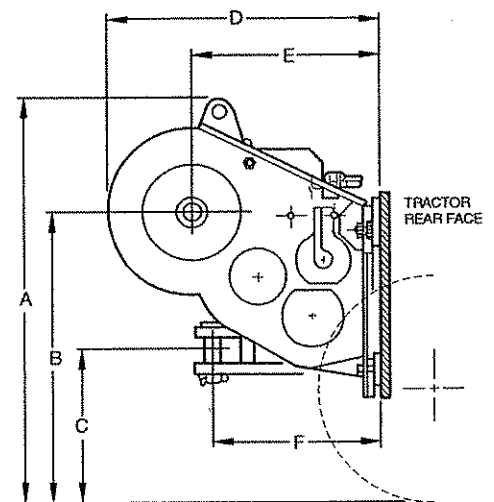
Check with dealer for latest data.



W3C

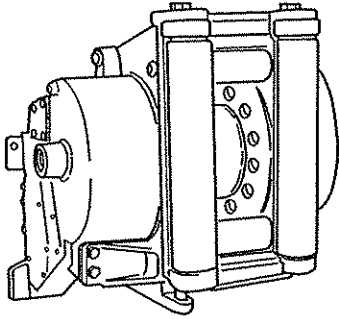


W5C



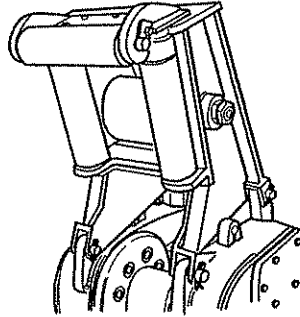
W6G/W8L/W12E

Options



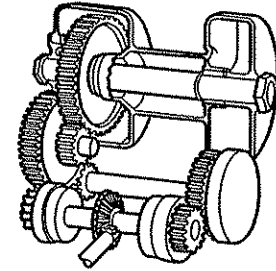
FAIRLEAD

Permits maximum line pull from all angles.



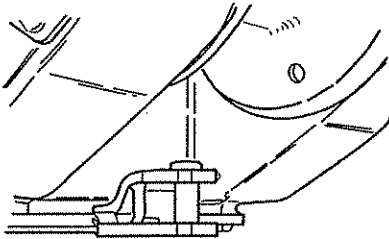
ARCH

Permits maximum line pull from angles and lifts load off ground for ease of skidding.



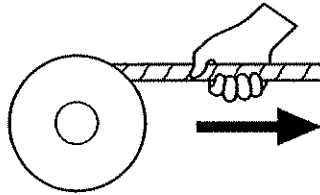
SLOW GEAR RATIO

For precise line speed control and increased line pull capacity.



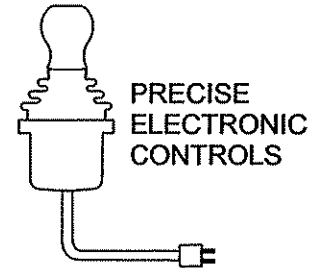
DRAWBAR

For pulling. Optional on W3C. Standard on W5C, W6G, W8L and W12E.



FREESPOOL

Disconnects drum from gearing drag to allow cable to be easily pulled out by hand. Standard on W3C, W5C and W6G. Optional on W8L.



PRECISE
ELECTRONIC
CONTROLS

ELECTRONIC CONTROLS

Simplified winch installation: only one wire harness needed to connect to control joystick. Provides unparalleled line speed control.

Parts and Service Support

Our parts depot carries a large parts inventory to support your dealer. Orders are generally filled within 24 hours from our depot to the dealer. Contact your tractor dealer for your winch parts and service.

Allied Systems

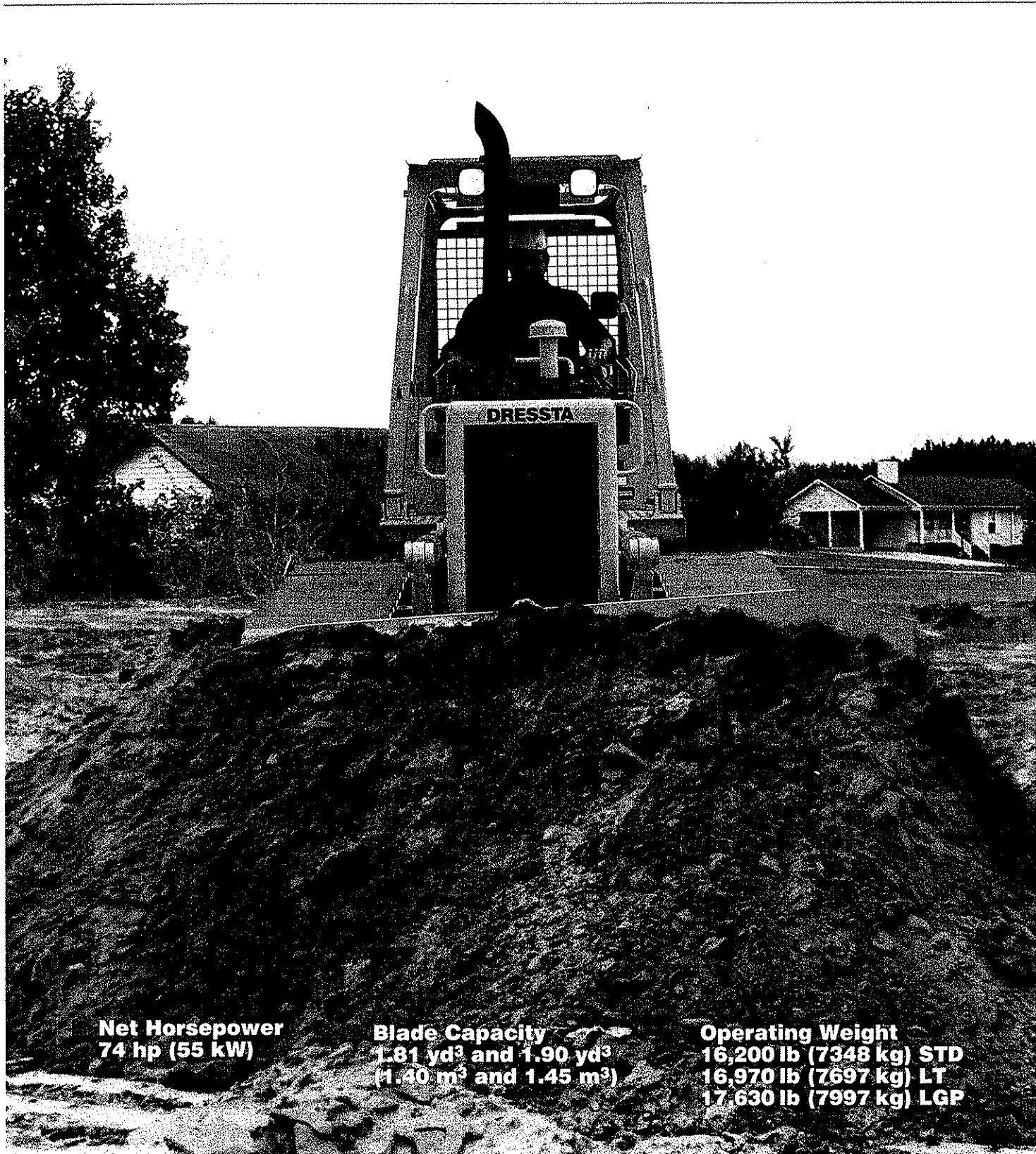
COMPANY

WINCH DIVISION

2300 OREGON STREET
SHERWOOD, OREGON 97140-9799A, U.S.A.
TELEPHONE: (503) 625-2560
FAX: (503) 625-7269 • (503) 625-5132
E-MAIL: marketing@alliedsystems.com
<http://www.alliedsystems.com>

 **DRESSTA**

TD-7M
CRAWLER DOZER
STD-LT-LGP



Net Horsepower
74 hp (55 kW)

Blade Capacity
1.81 yd³ and 1.90 yd³
(1.40 m³ and 1.45 m³)

Operating Weight
16,200 lb (7348 kg) STD
16,970 lb (7697 kg) LT
17,630 lb (7997 kg) LGP

TD-7M

STD-LT-LGP

- Full power shift transmission
- Highly efficient torque converter
- Wet type steering clutches and brakes

- Lubricated track system
- Hydraulic lift, tilt & angle blade
- Left joystick for transmission and steering control

ENGINE

* Make and model	CUMMINS B4.5
Type	4-cycle diesel, naturally aspirated, direct start, direct injection
** Gross Horsepower @ 2500 rpm	80 hp (60 kW)
*** Net Flywheel power @ 2500 rpm	74 hp (55 kW)
Maximum torque @1300 rpm	222 ft lb (301 Nm)
Number of cylinders	4
Displacement	275 in ³ (4.5 l)
Bore and stroke	4.02" x 5.42" (102 x 137.7 mm)
Lubrication, full flow filtering	full pressure
Number of main bearings	5
Electrical system	12 V
Air cleaner	two stage, dry type with service indicator

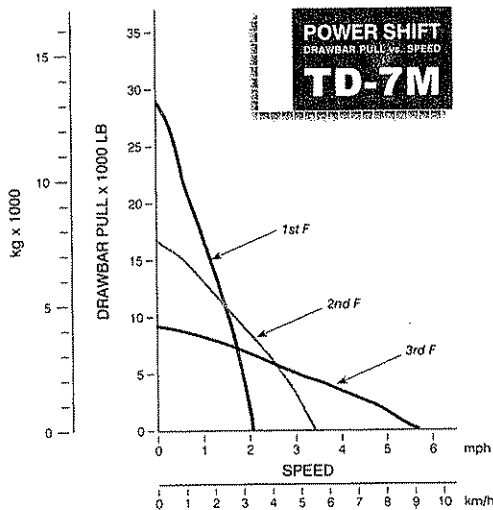
- * Meets EPA emission regulations for Tier 2
- ** Output of complete engine operating under SAE J1995 conditions
- *** Flywheel power-output of standard engine complete with fan, air cleaner, alternator (not charging), water pump, lubricating oil pump and fuel pump, per SAE J1349

TRANSMISSION & TORQUE CONVERTER

Modular countershaft type full power shift, electro-hydraulically actuated with 3 speeds forward, 3 reverse. Joystick control valve has electric transmission range shift control for up and down shifting. Single stage 11" (280 mm) torque converter with 2.16:1 stall ratio drives to transmission through a permanently lubricated double universal joint.

TRAVEL SPEEDS

Gear	Forward		Reverse	
	mph	(km/h)	mph	(km/h)
1 st	2.1	(3.4)	2.5	(4.0)
2 nd	3.5	(5.6)	4.1	(6.6)
3 rd	5.7	(9.2)	6.7	(10.8)



STEERING & BRAKING

Single stage planetary type, wet single disc steering clutches. Single disc, wet-type steering brakes. Steering clutches and brakes run in oil and are hydraulically actuated. Right foot pedal applies decelerator, center pedal applies disc brakes for downhill speed control and parking. Brakes are spring applied and hydraulically released. Parking brake is also applied by safety lever.

FINAL DRIVES

Single stage spur-gear drive to sprockets 5.66:1 reduction ratio. Final drive has metal face seals. Operates in oil for long life. Sprockets are replaceable without removing track frames.

TRACK FRAME

Heavy steel channel, rigid mount.

	STD	LT	LGP
Track rollers, each side	5	6	6
Top idlers, each side	1	1	1
Front idlers (disc type)		casting	
All rollers and idlers		lifespan lubricated	

TRACKS

	STD	LT	LGP
Track shoe width	15" (381 mm)	15" (381 mm)	24" (610 mm)
Track shoes, each side	34	37	37
Ground contact area	2,160 in ² (1.4 m ²)	2,460 in ² (1.59 m ²)	3,936 in ² (2.54 m ²)
Ground pressure	7.45 psi (51 kPa)	6.86 psi (47 kPa)	4.45 psi (31 kPa)
Strutted track link pitch	6.5" (165 mm)		
Height of grouser	2.11" (53.6 mm)		
Track adjustment	full hydraulic		
Minimum ground clearance from bottom face of shoe	12.7" (323 mm)		
Recovery hitch-height from ground to centerline of clevis	18.8" (477 mm)		

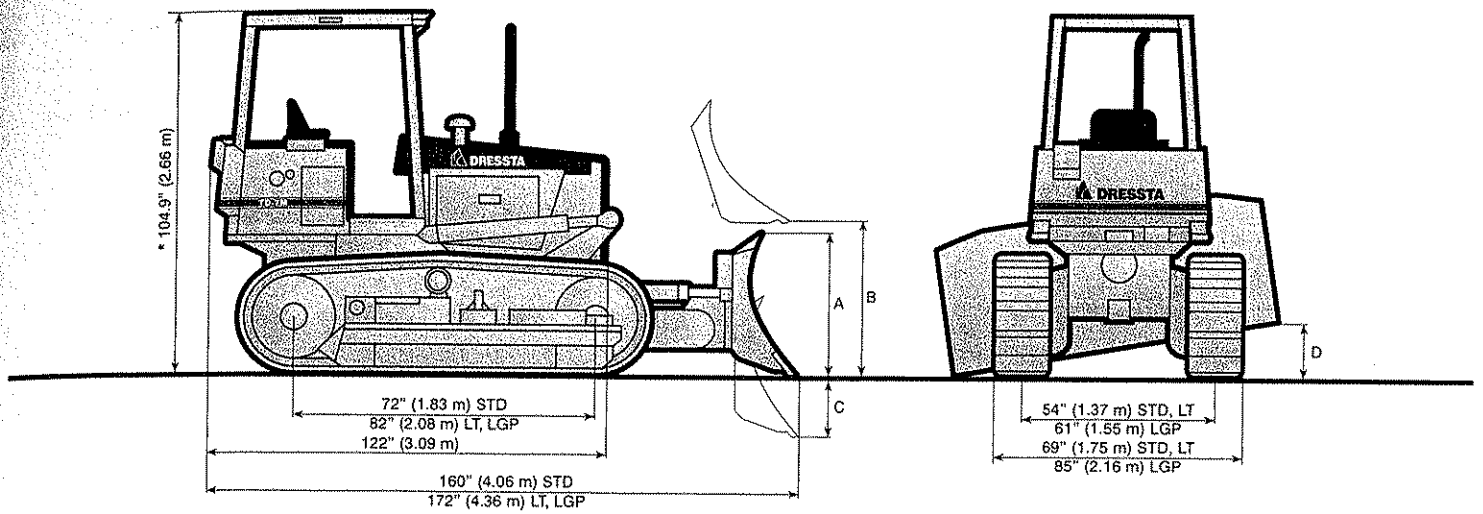
REFILL CAPACITIES

	US gal	(Liter)
Fuel tank	45	(170)
Cooling system	6.6	(24.9)
Crankcase	2.7	(10.4)
Transmission & steering drive	18.5	(70)
Final drive, each side	2.5	(9.5)

WEIGHTS (Operating)

Includes ROPS, hydraulic angle blade, standard equipment and full fuel.

STD	16,200 lb (7348 kg)
LT	16,970 lb (7697 kg)
LGP	17,630 lb (7997 kg)



* Overall height with Cab ROPS - 106.2" (2.70 m)
 Vertical dimensions include 2.11" (53.6 mm) grouser height

OVERALL DIMENSIONS WITH EQUIPMENT

Type of Track Frame	STD	LT	LGP
Length with blade and ripper	14'9" (4.50 m)	15'8" (4.78 m)	15'8" (4.78 m)
Width, blade angled	7'10" (2.39 m)	7'10" (2.39 m)	8'5" (2.57 m)
Width, blade straight	8'7" (2.62 m)	8'7" (2.62 m)	9'3" (2.82 m)

BLADE SPECIFICATIONS

Type of Track Frame	STD	LT	LGP
Blade capacity, SAE J1265	1.81 yd ³ (1.4 m ³)	1.81 yd ³ (1.4 m ³)	1.90 yd ³ (1.45 m ³)
Max. usable track shoe width	17" (432 mm)	17" (432 mm)	24" (610 mm)
Blade dimensions:			
- width over end bits	8'7" (2.62 m)	8'7" (2.62 m)	9'3" (2.82 m)
- height, struts centered	A	A	A
Max. lift, straight	B	B	B
Max. drop below ground level	C	C	C
Max. tilt adjustment	D	D	D
Blade angle, either side	25°	25°	25°

RIPPER SPECIFICATION

Type.....	Multi-Shank
Tool Beam	Shank
Overall width.....	4'7" (1.40 m)
Cross section, height x width.....	6.0" x 6.0" (152 x 152 mm)
Ground clearance under tool beam.....	27.4" (696 mm)
Weight	
Complete, including three shanks.....	950 lb (430 kg)
Each additional shank.....	20 lb (9 kg)
	Number of shanks per ripper, max.
	5
	Spacing center to center.....
	13" (330 mm)
	Penetration, max.
	11" (279 mm)
	Ground clearance, max. raised.....
	15.5" (394 mm)
	Shank positions (vertical).....
	2

HYDRAULIC CONTROL SYSTEM

Pump, tandem gear	Cylinders, bore and stroke
Output @ 500 psi (3.45 MPa)	Lift (2)
& rated engine rpm	3.5" x 17.7" (89 x 449 mm)
19.9 gpm (75.2 l/min)	Angle (2)
Relief valve setting	3.0" x 13.9" (76 x 352 mm)
Blade lift & ripper	Tilt (1)
2,250 psi (15 512 kPa)	3.5" x 5.7" (89 x 144 mm)
Tilt	Reservoir with sight gauge, system capacity, right fender mounted,
2,250 psi (15 512 kPa)	includes cylinders & lines
	13.5 gal (51 l)

TD-7M

CRAWLER DOZER

STD-LT-LGP

STANDARD EQUIPMENT

- Air cleaner, dry type, with primary and safety elements and service indicator
- Alarm, back-up, 2 level sound
- Alternator, 65 A
- Antifreeze, -34°F (-37°C)
- Battery, (1) 12 V, 815 CCA, maintenance free
- Canopy ROPS (SAE J1040) with roof extension, roof headliner, mirror
- Cooling module; includes radiator and transmission oil cooler (side-by-side); isolation mounted
- Cup holder
- Decelerator – right pedal, and brake – center pedal with safety lock, foot operated
- Engine hood, solid
- Engine side doors, perforated
- Fan, blower
- Filters, with "spin-on" elements: engine oil, fuel, power train, equipment hydraulic
- Guards: crankcase with pull hook, instrument panel, lights, radiator, transmission, rock deflector, fan, fuel tank bottom and back-up alarm
- Hitch, retrieval
- Horn
- Hydraulics, 3-spool valve, "T" control
- Instruments:
Gauges: hourmeter, coolant temperature, engine oil pressure, power train oil temperature, voltmeter, fuel
- Warning lights: transmission filter service indicator, air filter and hydraulic filter service indicator
- Lights, 2 front, 1 rear, halogen type
- Muffler, underhood with exhaust pipe and elbow
- Power train diagnostic check panel w/brake release port
- Protection guard for fuel tank and filler
- Radiator guard door, louvered
- Seat belt (SAE J386) – 3 inch retractable
- Seat, suspension type with adjustable arm rests
- Starting, 12 V
- Steering & transmission, left hand single lever control, joystick w/safety lever
- Strainer, fuel
- Throttle control, L.H. location
- Tools compartment
- Torque converter, single stage
- Track adjusters, hydraulic
- Track chains, sealed & lubricated (LTS) with split master links, 34 links
- Track frame, 5 rollers, 54" (1.37 m) gauge, rigid type, lifespan lubricated rollers and idlers, front and rear chain guides
- Track frame covers
- Track shoes, 15" (381 mm)
- Transmission, full power shift, 3 speeds forward, 3 reverse
- Water separator, fuel system

OPTIONAL ATTACHMENTS

- Air conditioner/heater/pressurizer/defroster
- Angle dozer 1.81 cu.yd (1.40 cu.m), inside arm w/hyd. tilt & angle, for STD
- Angle dozer 1.81 cu.yd (1.40 cu.m), inside arm w/hyd. tilt & angle, for LT
- Angle dozer, wide, 1.90 cu.yd (1.45 cu.m), inside arm w/hyd. tilt & angle, for LGP
- Battery, cold start, 12 V, 960 CCA
- Counterweights, front idler
- Cab, ROPS with sound suppression, wipers (4) and washers, mirror, dome light & tinted safety glass
- Defroster fan, for use with cab
- Ether start
- Exhaust pipe, forestry for use w/sweeps
- Fan, reversible
- Guards
 - track roller, standard strength
 - track roller, full length, heavy duty type
- Heater/pressurizer/defroster
- Hood, perforated (blower fan recommended)
- Hydraulics, 4-spool valve w/2 levers ("T"+ single), for use w/ripper or auxiliary attachments
- Sealed track system, 34 links, for STD
- Lubricated track system, 37 links, for LT and LGP
- Mirrors, 2 pcs, for use with cab
- Resonator, exhaust
- Ripper, multi-shank w/3 teeth (provision for 5 teeth)
- Screening package, black painted
(Canopy ROPS for screens installation must be ordered)
 - screens, front
 - doors and side screens w/third post
 - screen, overhead, for upper front lights protection
- Sweeps, front and screen, rear (required for screening pkg. installation)
- Track frame for LT applications, 6 rollers, 54" (1.37 m) gauge, rigid type
- Track frame for LGP applications, 6 rollers, 61" (1.55 m) gauge, rigid type
- Track frame covers, LT
- Track frame covers, LGP
- Track shoes, set of 68, for STD
 - 15" (381 mm) w/mud relief
 - 17" (432 mm)
- Track shoes, set of 74, for LT
 - 15" (381 mm)
 - 15" (381 mm) w/mud relief
 - 17" (432 mm)
- Track shoes, set of 74, for LGP
 - 24" (610 mm)
 - 24" (610 mm), swamp type
- Vandalism protection

Specifications subject to change without notice. Illustrations may include optional attachments and accessories and may not include all standard equipment.

NOTE: Dressta Low Ground Pressure (LGP) tractors are designed for use in mud, snow and other soft ground applications. Use in hard or rocky conditions will reduce undercarriage life and can cause damage to components.

DRESSTA NORTH AMERICA, LTD.

1327 BARCLAY BLVD.
 BUFFALO GROVE, IL 60089
 phone (847) 537 4783 fax (847) 537 2873
 Toll free (877) DNA 2001
www.dresstanorthamerica.com

AFFIDAVIT

West Virginia Code §5A-3-10a states:

No contract or renewal of any contract may be awarded by the state or any of its political subdivisions to any vendor or prospective vendor when the vendor or prospective vendor or a related party to the vendor or prospective vendor is a debtor and the debt owned is an amount greater than one thousand dollars in the aggregate.

DEFINITIONS:

"Debt" means any assessment, premium, penalty, fine, tax or other amount of money owed to the state or any of its political subdivisions because of a judgment, fine, permit violation, license assessment, defaulted workers' compensation premium, penalty or other assessment presently delinquent or due and required to be paid to the state or any of its political subdivisions, including any interest or additional penalties accrued thereon.

"Debtor" means any individual, corporation, partnership, association, limited liability company or any other form or business association owing a debt to the state or any of its political subdivisions.

"Political subdivision" means any county commission; municipality; county board of education; any instrumentality established by a county or municipality; any separate corporation or instrumentality established by one or more counties or municipalities, as permitted by law; or any public body charged by law with the performance of a government function or whose jurisdiction is coextensive with one or more counties or municipalities.

"Related party" means a party, whether an individual, corporation, partnership, association, limited liability company or any other form or business association or other entity whatsoever, related to any vendor by blood, marriage, ownership or contract through which the party has a relationship of ownership or other interest with the vendor so that the party will actually or by effect receive or control a portion of the benefit, profit or other consideration from performance of a vendor contract with the party receiving an amount that meets or exceeds five percent of the total contract amount.

EXCEPTION:

The prohibition of this section does not apply where a vendor has contested any tax administered pursuant to chapter eleven of this code, workers' compensation premium, permit fee or environmental fee or assessment and the matter has not become final or where the vendor has entered into a payment plan or agreement and the vendor is not in default of any of the provisions of such plan or agreement.

LICENSING:

The vendor must be licensed in accordance with any and all state requirements to do business with the state of West Virginia.

CONFIDENTIALITY:

The vendor agrees that he or she will not disclose to anyone, directly or indirectly, any such personally identifiable information or other confidential information gained from the agency, unless the individual who is the subject of the information consents to the disclosure in writing or the disclosure is made pursuant to the agency's policies, procedures and rules. Vendors should visit www.state.wv.us/admin/purchase/privacy for the Notice of Agency Confidentiality Policies.

Under penalty of law for false swearing (West Virginia Code, §61-5-3), it is hereby certified that the vendor acknowledges the information in this said affidavit and are in compliance with the requirements as stated.

Vendor's Name: DRESSER NORTH AMERICA

Authorized Signature: [Signature] Date: 10/19/06