

STATE OF WEST VIRGINIA



STATE CONTRACT DOCUMENTS



Ordering Instructions

Statewide Contract

LIGHT18

Light Bulbs and Ballasts

MARKET BASKET INTERACTIVE CATALOG

SEARCH PART NUMBERS AND
SEE MANUFACTURERS SPEC
SHEETS

WHEN YOU DOWNLOAD THE PDF
CLICK HERE

PRICING SPREAD SHEET

SEE ALL AVAILABLE PART
NUMBERS AND STATE
PRICING

CLICK HERE

W. Va. Electric
SUPPLY COMPANY



ORDERING INFORMATION

STATE.CONTRACTS@WVAELECTRIC.COM

Toll Free - 833-501-4739

Direct - 304-399-4567

Fax - 304-523-5337

W. Va. Electric SUPPLY COMPANY



West Virginia State Light Bulb and Ballast Contract Pricing

Brand Name	Quick Specs	Ordering Info	Case Quantities	Pricing
	23W Screw-In CFL T3 Medium Base (E26) 1600 Lumens 4100K Color Temp	SP23/41K Order Code: 49326	24	\$1.93 / each \$46.32 / case
	23W Screw-In CLF T3 Medium Screw (E26) 1600 Lumen 2700K Color Temp	SP23/27K Order Code: 49325	24	\$1.93 / each \$46.32 / case
	32W Plug-In CFL T4 4-Pin (GX24Q-3) 2400 Lumen 3500K Color Temp	TT32/35 Order Code: 49273	10	\$1.75 / each \$17.50 / case
	13W Screw-In CFL T2 Medium Screw (E26) 800 Lumen 4100K Color Temp	SP13/41K Order Code: 00033	24	\$1.42 / each \$34.08 / case
	23W Screw-In CFL T2 Medium Screw (E26) 1600 Lumen 4100K Color Temp	SP23/41K Order Code: 49326	24	\$1.93 / each \$46.32 / case
	40W Screw-In CFL T4 Medium Screw (E26) 2400 Lumen 4100K Color Temp	SP42/41K Order Code: 05422	24	\$3.64 / each \$87.36 / case
	26W Screw-In CFL T4PL 2-Pin (G24D-3) 1500 Lumen 2700K Color Temp	QT26/27 Order Code: 15568	10	\$1.31 / each \$13.10 / case
	13W Plug-In CFL T4PL 4-Pin (2GX7) 800 Lumen 4100K Color Temp	CF13DT/W/841/ECO Order Code: 20894	50	\$1.43 / each \$71.50 / case
	13W Screw-In CFL T2 Medium Screw (E26) . 800 Lumen 6500K Color Temp	SP13/65K Order Code: 06131	24	\$1.43 / each \$34.32 / case













COMPACT FLUORESCENT FLUORESCENT METAL HALIDE LED INCANDESCENT HALOGEN HIGH PRESSURE SODIUM BALLAST

W. Va. Electric

SUPPLY COMPANY



West Virginia State Light Bulb and Ballast Contract Pricing

Brand Name	Quick Specs	Ordering Info	Case Quantities	Pricing
	15W 18" Linear Fluorescent Lamp T8 Medium Bi-Pin (G13) 825 Lumen 4100K Color Temp	F15T8/CW Order Code: 15521	 25	\$0.97 / each \$24.25 / case
	32W 48" Linear Fluorescent Lamp T8 Bi-Pin (G13) 2900 Lumen 4100K Color Temp	F32T8/841K Order Code: 49589	 36	\$1.17 / each \$42.12 / case
	14W 21-19/32" Linear Fluorescent Lamp T5 Miniature Bi-Pin (G5) 1350 Lumen 3500K Color Temp	F14T5/835 Order Code: 81147	 25	\$1.45 / each \$36.25 / case
	32W U-Shaped Fluorescent Lamp T8 Medium Bi-Pin (G13) 2800 Lumen 3500K Color Temp	F32T8/835K/U6 Order Code: 02403	 20	\$4.15 / each \$83.00 / case
	17W 24" Linear Fluorescent Lamp T8 Medium Bi-Pin (G13) 1325 Lumen 4100K Color Temp	F17T8/841K Order Code: 49577	 24	\$1.23 / each \$29.52 / case
	25W 32" Linear Fluorescent Lamp T8 Medium Bi-Pin (G13) 2080 Lumen 4100K Color Temp	F25T8/841k Order Code: 49583	 24	\$1.61 / each \$38.64 / case

COMPACT FLUORESCENT FLUORESCENT METAL HALIDE LED INCANDESCENT HALOGEN HIGH PRESSURE SODIUM BALLAST

W. Va. Electric SUPPLY COMPANY



West Virginia State Light Bulb and Ballast Contract Pricing

Brand Name	Quick Specs	Ordering Info	Case Quantities	Pricing
	250W Metal Halide HID BT28 Mogul Screw (EX39) 21,300 Lumen 4000K Color Temp	MH250/U Order Code: 49195	 6	\$7.02 / each \$42.12 / case
	1000W Metal Halide HID BT56 Mogul Screw (E39) 4000K Color Temp	MH1000/U Order Code: 49199	 6	\$16.51 / each \$99.06 / case
	70W Metal Halide HID ED17 Medium Screw (E26) 5600 Lumen 4200K Color Temp	MH70/U/MED Order Code: 15410	 12	\$7.02 / each \$84.24 / case
	1000W Metal Halide HID BT37 Mogul Screw (E39) 110,000 Lumen 4200K Color Temp	MH1000/U/BT37 Order Code: 49557	 6	\$16.47 / each \$98.82 / case
	174W Metal Halide HID ED28 Mogul Screw (E39) 13,600 Lumen 4000K Color Temp	MH175/U Order Code: 49193	 6	\$6.53 / each \$39.18 / case
	400W Metal Halide HID ED37 Mogul Screw (E39) 44,000 Lumen 4000K Color Temp	MH400/U Order Code: 49197	 6	\$7.13 / each \$42.78 / case
	175W Metal Halide HID ED17 Medium Screw (E26) 14400 Lumen 4200K Color Temp	MH175/U/MED Order Code: 15414	 12	\$6.53 / each \$78.36 / case

W. Va. Electric SUPPLY COMPANY



West Virginia State Light Bulb and Ballast Contract Pricing










LED

Brand Name	Quick Specs	Ordering Info	Case Quantities	Pricing
	20W LED Lamp PAR38 Medium Screw (E26) 1650 Lumen 4000K Color Temp	LED20WPAR38 Order Code: 09172	 24	\$9.49 / each \$227.76 / case
	7W LED Lamp MR16 2-pin (GU5.3) 400 Lumen 2700k Color Temp	LED7WMR16 Order Code: 09493	 100	\$2.58 / each \$258.00 / case
	15W LED Lamp A19 Medium Screw (E26) 1600 Lumen 2700k Color Temp	LED15WA19/OMN/827 Order Code: 09886	 24	\$3.16 / each \$75.84 / case
	11W LED Lamp A19 Medium Screw (E26) 1100 Lumen 2700K Color Temp	LED11WA19/OMN/827 Order Code: 09885	 24	\$2.33 / each \$55.92 / case
	9.5W LED Lamp A19 Medium Screw (E26) 800 Lumen 2700K Color Temp	LED9.5WA19/OMN/827 Order Code: 09889	 24	\$1.39 / each \$33.36 / case

W. Va. Electric SUPPLY COMPANY







West Virginia State Light Bulb and Ballast Contract Pricing

Brand Name	Quick Specs	Ordering Info	Case Quantities	Pricing
	40W Incandescent Lamp B10 Candelabra (E12) 370 Lumens 2500K Color Temp	40B10C Order Code: 13456	 12	\$0.40 / each \$4.80 / case
	25W Incandescent Lamp CA10 Candelabra (E12) 235 Lumens 2500K Color Temp	25B10C Order Code: 13452	 12	\$0.40 / each \$4.80 / case
	40W Incandescent Lamp A15 Medium Screw (E26) 415 Lumen 2600K Color Temp	40A15 Order Code: 10141	 24	\$0.45 / each \$10.80 / case
	6W Incandescent Lamp S6 Candelabra (E12) 50 Lumen 2400K Color Temp	6S6/145V Order Code: 40789	 10	\$0.30 / each \$3.00 / case
	40W Incandescent Lamp Medium Screw (E26) 485 Lumen 2800K Color Temp	40B13C Order Code: 13367	 12	\$0.45 / each \$5.40 / each

W. Va. Electric SUPPLY COMPANY



West Virginia State Light Bulb and Ballast Contract Pricing


Brand Name	Quick Specs	Ordering Info	Case Quantities	Pricing
	250W Halogen Lamp T4 Double Contact Bayonet (BA15d) 5000 Lumen 2950k Color Temp	Q250CL/DC-120V Order Code: 49610	 <p style="text-align: center;">10</p>	\$1.40 / each \$14.00 / case
	250W Halogen Lamp T4 Double Contact Bayonet (BA15d) 5000 Lumen 3000K Color Temp	Q250CI/DC-130V Order Code: 15264	 <p style="text-align: center;">10</p>	\$1.40 / each \$14.00 / case

COMPACT FLUORESCENT FLUORESCENT METAL HALIDE LED INCANDESCENT **HALOGEN** HIGH PRESSURE SODIUM BALLAST

W. Va. Electric SUPPLY COMPANY



West Virginia State Light Bulb and Ballast Contract Pricing







Brand Name	Quick Specs	Ordering Info	Case Quantities	Pricing
	70W HPS HID ED23-1/2 Mogul Screw (E39) 6400 Lumen 1900K Color Temp	LU70 Order Code: 15308	 6	\$4.48 / each \$26.88 / case
	1000W HPS HID E25 Mogul Screw (E39) 130,000 Lumen 2100K Color Temp	LU1000 Order Code: 15324	 6	\$20.32 / each \$121.92 / case
	150W HPS HID ED17 Medium Screw (E26) 14,500 Lumen 2000K Color Temp	LU150/55/MED Order Code: 15314	 6	\$4.88 / each \$29.28 / case
	400W HPS HID ED18 Mogul Screw (E39) 51,000 Lumen 2100K Color Temp	LU400 Order Code: 15322	 6	\$5.33 / each \$31.98 / case

COMPACT FLUORESCENT FLUORESCENT METAL HALIDE LED INCANDESCENT HALOGEN HIGH PRESSURE SODIUM BALLAST

W. Va. Electric SUPPLY COMPANY



West Virginia State Light Bulb and Ballast Contract Pricing

Brand Name	Quick Specs	Ordering Info	Case Quantities	Pricing
	Electronic Ballast 32 Max Lamp Watts 120/277V Instant Start No Dimming	PM-2X32T8-UNV-IS Order Code: 07825	10 	\$7.25 / each \$72.50 / case
	Electronic Ballast 32 Max Lamp Watts 120/277V Instant Start No Dimming	PM-4X32-T8-UNV-IS Order Code: 07826	10 	\$8.77 / each \$87.70 / case
	Electronic Ballast 32 Max Lamp Watts 120/277V Instant Start No Dimming	PM-3X32t8-UNV-IS Order Code: 07868	10 	\$8.00 / each \$80.00 / case
	Electronic Ballast 54 Max Lamp Watts 347/480V Programmed	PM-4X54T5-UNV-PS Order Code: 07828	10 	\$27.30 / each \$273.00 / case
	CFL Ballast 42V Programmed/Rapid Ballast Start Type	QTP2X26/32/42 Order Code: 51843	20 	\$16.10 / each \$322.00 / case
	HPS HID Ballast Kit 250 Max Lamp Watts 120/208/240/480V Pulse Ballast Start	LU250/SUPER 5-KIT Order Code: 47634	1 	 \$57.50 / each
	HPS HID Ballast Kit 1000 Max Lamp Watts 120/208/240/480V Pulse Start	LU1000/Super 5-Kit Order Code: 47659	1 	 \$98.85 / each



SP23/41K

COMPACT FLUORESCENT PRICE LIST



Description	23W 120V 4100K Spiral Shaped
Ordering Code	49326
UNSPSC Code	39101619

Specifications

Voltage Rating	120
Watts	23
mA	380
Lumens per Watt	69
Base Type	Medium Screw (E26)
Bulb Type	T-2
MOL in/mm	4.88/124
MOD in/mm	2.13/54
Mercury Content (mg)	1.6
HG Form	amalgam
Approx Initial Lumens	1600
Approx Mean Lumens	1600
CT deg K	4100
CRI	80
Rated Life	10,000
Special Desc	Not for use with dimmers, electronic timers, photocells, totally enclosed fixtures, motion/occupancy sensors, or where directly exposed to water.
Equivalent	100W Incandescent
Ambient Operating Temp Range	-18° C (0° F) to 50° C (122° F)
Approvals	cULus, IMERC, TCLP Compliant

W. Va. Electric
SUPPLY COMPANY



ORDERING INFORMATION

STATE.CONTRACTS@WVAELECTRIC.COM
TOLL FREE - 833-501-4739
DIRECT - 304-399-4567
FAX - 304-523-5337



SP23/27K

COMPACT FLUORESCENT PRICE LIST



Description	23W 120V 2700K Spiral Shaped
Ordering Code	49325
UNSPSC Code	39101619

Specifications

Voltage Rating	120
Watts	23
mA	380
Lumens per Watt	69
Base Type	Medium Screw (E26)
Bulb Type	T-2
MOL in/mm	4.88/124
MOD in/mm	2.13/54
Mercury Content (mg)	1.6
HG Form	amalgam
Approx Initial Lumens	1600
Approx Mean Lumens	1600
CT deg K	2700
CRI	80
Rated Life	10,000
Special Desc	Not for use with dimmers, electronic timers, photocells, totally enclosed fixtures, motion/occupancy sensors, or where directly exposed to water.
Equivalent	100W Incandescent
Ambient Operating Temp Range	-18° C (0° F) to 50° C (122° F)
Approvals	cULus, IMERC, TCLP Compliant

W. Va. Electric
SUPPLY COMPANY



ORDERING INFORMATION

STATE.CONTRACTS@WVAELECTRIC.COM
TOLL FREE - 833-501-4739
DIRECT - 304-399-4567
FAX - 304-523-5337



TT32/35

COMPACT FLUORESCENT PRICE LIST



Description	32W Triple-Tube 3500K GX24q-3 Base Fluorescent
Ordering Code	49273
UNSPSC Code	39101619

Specifications

Watts	32
Base Type	GX24q-3
Bulb Type	T-4
MOL in/mm	5.8/147
Mercury Content (mg)	2.2
HG Form	solid
Approx Initial Lumens	2200
Approx Mean Lumens	1870
CT deg K	3500
CRI	82
Rated Life	10,000
Approvals	IMERC, TCLP Compliant

W. Va. Electric
SUPPLY COMPANY



ORDERING INFORMATION

STATE.CONTRACTS@WVAELECTRIC.COM
TOLL FREE - 833-501-4739
DIRECT - 304-399-4567
FAX - 304-523-5337



SP13/41K

COMPACT FLUORESCENT PRICE LIST



Description	13W 120V 4100K Spiral Shaped
Ordering Code	00033
UNSPSC Code	39101619

Specifications

Voltage Rating	120
Watts	13
mA	210
Lumens per Watt	69
Base Type	Medium Screw (E26)
Bulb Type	T-2
MOL in/mm	4.13/105
MOD in/mm	1.81/46
Mercury Content (mg)	1.6
HG Form	amalgam
Approx Initial Lumens	900
Approx Mean Lumens	900
CT deg K	4100
CRI	80
Rated Life	10,000
Special Desc	Not for use with dimmers, electronic timers, photocells, or motion/occupancy sensors.
Equivalent	60W Incandescent
Ambient Operating Temp Range	-18° C (0° F) to 50° C (122° F)
Approvals	cULus, IMERC

W. Va. Electric
SUPPLY COMPANY



ORDERING INFORMATION

STATE.CONTRACTS@WVAELECTRIC.COM
TOLL FREE - 833-501-4739
DIRECT - 304-399-4567
FAX - 304-523-5337



SP23/41K

COMPACT FLUORESCENT PRICE LIST



Description	23W 120V 4100K Spiral Shaped
Ordering Code	49326
UNSPSC Code	39101619

Specifications

Voltage Rating	120
Watts	23
mA	380
Lumens per Watt	69
Base Type	Medium Screw (E26)
Bulb Type	T-2
MOL in/mm	4.88/124
MOD in/mm	2.13/54
Mercury Content (mg)	1.6
HG Form	amalgam
Approx Initial Lumens	1600
Approx Mean Lumens	1600
CT deg K	4100
CRI	80
Rated Life	10,000
Special Desc	Not for use with dimmers, electronic timers, photocells, totally enclosed fixtures, motion/occupancy sensors, or where directly exposed to water.
Equivalent	100W Incandescent
Ambient Operating Temp Range	-18° C (0° F) to 50° C (122° F)
Approvals	cULus, IMERC, TCLP Compliant

W. Va. Electric
SUPPLY COMPANY



ORDERING INFORMATION

STATE.CONTRACTS@WVAELECTRIC.COM
TOLL FREE - 833-501-4739
DIRECT - 304-399-4567
FAX - 304-523-5337



SP42/41K

COMPACT FLUORESCENT PRICE LIST



Description	42W 120V 4100K Spiral Shaped
Ordering Code	05422
UNSPSC Code	39101619

Specifications

Voltage Rating	120
Watts	40
mA	680
Lumens per Watt	65
Base Type	Medium Screw (E26)
Bulb Type	T-3
MOL in/mm	7.28/185
MOD in/mm	2.64/67
Mercury Content (mg)	3.2
HG Form	amalgam
Approx Initial Lumens	2600
Approx Mean Lumens	2600
CT deg K	4100
CRI	80
Rated Life	10,000
Special Desc	Not for use with dimmers, electronic timers, photocells, or motion/occupancy sensors.
Equivalent	150W Incandescent
Ambient Operating Temp Range	-18° C (0° F) to 50° C (122° F)
Approvals	cULus, IMERC

W. Va. Electric
SUPPLY COMPANY



ORDERING INFORMATION

STATE.CONTRACTS@WVAELECTRIC.COM
TOLL FREE - 833-501-4739
DIRECT - 304-399-4567
FAX - 304-523-5337



QT26/27

COMPACT FLUORESCENT PRICE LIST



Description	2700K 26W Quad-Tube 2700K G24d3 Base Fluorescent
Ordering Code	15568
UNSPSC Code	39101619

Specifications

Voltage Rating	120
Watts	26
Base Type	G24d-3
Bulb Type	T-4
MOL in/mm	6.7/170
Mercury Content (mg)	2.2
HG Form	solid
Approx Initial Lumens	1710
Approx Mean Lumens	1460
CT deg K	2700
CRI	82
Rated Life	10,000
Approvals	IMERC, TCLP Compliant

W. Va. Electric
SUPPLY COMPANY



ORDERING INFORMATION

STATE.CONTRACTS@WVAELECTRIC.COM
TOLL FREE - 833-501-4739
DIRECT - 304-399-4567
FAX - 304-523-5337

COMPACT FLUORESCENT FLUORESCENT METAL HALIDE LED INCANDESCENT HALOGEN HIGH PRESSURE SODIUM BALLAST

Product Details

Product Number: 20894
 Order Abbr eviation: CF13DT/E/841/ECO



COMPACT FLUORESCENT PRICE LIST

General Description: DULUX 13W triple compact fluorescent lamp with 4-pin base, 4100K color temperature, 82 CRI, for use with electronic and dimming ballasts, ECOLOGIC



Product Information

Abbrev. With Packaging Info.	CF13DTE841ECO 50/CS 1/SKU
Average Rated Life (hr)	12000
Base	GX24Q-1
Bulb	T4
Color Rendering Index (CRI)	82
Color Temperature/CCT (K)	4100
Diameter (in)	0.472
Diameter (mm)	12.00
Family Brand Name	Dulux® T/E
Industry Standards	IEC 60901- 3413
Initial Lumens at 25C	900
Mean Lumens at 25C	774
Maximum Overall Length - MOL (in)	4.2
Maximum Overall Length - MOL (mm)	106
NEMA Generic Designation (old)	CFM13W/GX24Q/841
Nominal Voltage (V)	77.00
Nominal Wattage (W)	13.00



Footnotes

- Minimum starting temperature is a function of the ballast; consult the ballast manufacturer.
- There is a NEMA supported, industry issue where T2, T4, and T5 fluorescent and compact fluorescent lamps operated on high frequency ballasts may experience an abnormal end-of-life phenomenon. This end-of-life phenomenon can result in one or both of the following: 1. Bulb wall cracking near the lamp base. 2. The lamp can overheat in the base area and possibly melt the base and socket. NEMA recommends that high frequency compact fluorescent ballasts have an end-of-life shutdown circuit which will safely and reliably shut down the system in the rare event of an abnormal end-of-life failure mode described above. The final requirements of this system are yet to be defined by ANSI. For additional information refer to NEMA papers on their WEBSITE at www.NEMA.org.
- Lumen output and life rated on high frequency operation.
- Rule of Thumb for Compact Fluorescent Lamps: Divide wattage of incandescent lamp by 4 to determine approximate wattage of compact fluorescent lamp that will provide similar light output.
- Approximate initial lumens after 100 hours operation.
- The life ratings of fluorescent lamps are based on 3 hr. operating cycles under specified conditions and with ballast meeting ANSI specifications. If operating cycle is increased, there will be a corresponding increase in the average hours life.
- Minimum starting temperature is a function of the ballast; consult the ballast manufacturer.

Product Details

- SYLVANIA ECOLOGIC fluorescent lamps are designed to pass the Federal Toxic Characteristic Leaching Procedure (TCLP) criteria for classification as non-hazardous waste in most states. TCLP test results are available upon request. Lamp disposal regulations may vary, check your local & state regulations. For more information, please visit www.lamprecycle.org
- Mean lumens are measured at 40% of average rated lamp life.
- The distance between any parts of the lamp and any conductive surface of the luminaire should not be less than 3 mm (applies to all high frequency ballasted systems).
- The lamp should not be in contact with any surface of the luminaire (applies to either high frequency or 60Hz ballasted systems).

W. Va. Electric
SUPPLY COMPANY



ORDERING INFORMATION

STATE.CONTRACTS@WVAELECTRIC.COM
TOLL FREE - 833-501-4739
DIRECT - 304-399-4567
FAX - 304-523-5337



SP13/65K

COMPACT FLUORESCENT PRICE LIST



Description	13W 120V 6500K Spiral Shaped
Ordering Code	06131
UNSPSC Code	39101619

Specifications

Voltage Rating	120
Watts	13
mA	210
Lumens per Watt	69
Base Type	Medium Screw (E26)
Bulb Type	T-2
MOL in/mm	4.13/105
MOD in/mm	1.81/46
Mercury Content (mg)	1.6
HG Form	amalgam
Approx Initial Lumens	900
Approx Mean Lumens	900
CT deg K	6500
CRI	80
Rated Life	10,000
Special Desc	Not for use with dimmers, electronic timers, photocells, or motion/occupancy sensors.
Equivalent	60W Incandescent
Ambient Operating Temp Range	-18° C (0° F) to 50° C (122° F)
Approvals	cULus, IMERC

W. Va. Electric
SUPPLY COMPANY



ORDERING INFORMATION

STATE.CONTRACTS@WVAELECTRIC.COM
TOLL FREE - 833-501-4739
DIRECT - 304-399-4567
FAX - 304-523-5337



F15T8/CW

FLUORESCENT PRICE LIST



Description	15W Cool White 4100K T-8 G13 Base
Ordering Code	15521
UNSPSC Code	39101605

Specifications

Watts	15
Base Type	G13
Bulb Type	T-8
MOL in/mm	18.0/457
MOD in/mm	1.0/26
Mercury Content (mg)	2.75
HG Form	amalgam
Lumens	825
Approx Initial Lumens	825
Approx Mean Lumens	725
CT deg K	4100
CRI	60
Rated Life	7,500
Special Desc	Cool White, Preheat
Approvals	IMERC, TCLP Compliant

W. Va. Electric
SUPPLY COMPANY



ORDERING INFORMATION

STATE.CONTRACTS@WVAELECTRIC.COM
TOLL FREE - 833-501-4739
DIRECT - 304-399-4567
FAX - 304-523-5337



F32T8/841K

FLUORESCENT PRICE LIST



Description	32W Universal Start 4100K 85 CRI T-8 Medium Bi-pin
Ordering Code	49589
UNSPSC Code	39101605

Specifications

Watts	32
Base Type	G13
Bulb Type	T-8
MOL in/mm	48.0/1219
Length	4'
MOD in/mm	1.0/26
Mercury Content (mg)	3
HG Form	solid
Approx Initial Lumens	2950
Approx Mean Lumens	2800
CT deg K	4100
CRI	85
Avg Life 3 HR Inst Start	24,000
Avg Life 3 HR Prog Start	30,000
Avg Life 12 HR Inst Start	30,000
Avg Life 12 HR Prog Start	36,000
Special Desc	Three Phosphor, Universal Start
Approvals	IMERC, TCLP Compliant

W. Va. Electric
SUPPLY COMPANY



ORDERING INFORMATION

STATE.CONTRACTS@WVAELECTRIC.COM
TOLL FREE - 833-501-4739
DIRECT - 304-399-4567
FAX - 304-523-5337



F14T5/835

FLUORESCENT PRICE LIST



Description	14W 3500K T5 85 CRI G5 Base
Ordering Code	81147
UNSPSC Code	39101605

Specifications

Watts	14
Base Type	G5
Bulb Type	T-5
MOL in/mm	22/559
Mercury Content (mg)	2.7
HG Form	solid
Approx Initial Lumens	1350
Approx Mean Lumens	1256
CT deg K	3500
CRI	85
Avg Life 3 HR Inst Start	25,000
Avg Life 12 HR Prog Start	35,000
Special Desc	Programmed Start
Approvals	IMERC, TCLP Compliant

W. Va. Electric
SUPPLY COMPANY



ORDERING INFORMATION

STATE.CONTRACTS@WVAELECTRIC.COM
TOLL FREE - 833-501-4739
DIRECT - 304-399-4567
FAX - 304-523-5337



F32T8/835K/U6

FLUORESCENT PRICE LIST



Description 32W 3500K T8 85 CRI Medium Bi-Pin U-Bent 6 inch
Spacer

Ordering Code 02403

UNSPSC Code 39101605

Specifications

Watts	32
Base Type	G13
Bulb Type	T-8
MOL in/mm	22.5/571
Length	2'
MOD in/mm	1.0/26
Mercury Content (mg)	7.5
HG Form	solid
Approx Initial Lumens	2800
Approx Mean Lumens	2535
CT deg K	3500
CRI	85
Rated Life	20,000
Special Desc	U-Bend 6 inch centers, Universal Start
Approvals	IMERC, TCLP Compliant

W. Va. Electric
SUPPLY COMPANY



ORDERING INFORMATION

STATE.CONTRACTS@WVAELECTRIC.COM
TOLL FREE - 833-501-4739
DIRECT - 304-399-4567
FAX - 304-523-5337



F17T8/841K

FLUORESCENT PRICE LIST



Description	17W Universal Start 4100K 85 CRI T-8 Medium Bi-pin
Ordering Code	49577
UNSPSC Code	39101605

Specifications

Watts	17
Base Type	G13
Bulb Type	T-8
MOL in/mm	24.0/610
Length	2'
MOD in/mm	1.0/26
Mercury Content (mg)	3
HG Form	solid
Approx Initial Lumens	1400
Approx Mean Lumens	1300
CT deg K	4100
CRI	85
Avg Life 3 HR Inst Start	20,000
Avg Life 12 HR Prog Start	25,000
Special Desc	Three Phosphor, Universal Start
Approvals	IMERC, TCLP Compliant

W. Va. Electric
SUPPLY COMPANY



ORDERING INFORMATION

STATE.CONTRACTS@WVAELECTRIC.COM
TOLL FREE - 833-501-4739
DIRECT - 304-399-4567
FAX - 304-523-5337



F25T8/841K

FLUORESCENT PRICE LIST



Description	25W Universal Start 4100K 85 CRI T-8 Medium Bi-pin
Ordering Code	49583
UNSPSC Code	39101605

Specifications

Watts	25
Base Type	G13
Bulb Type	T-8
MOL in/mm	36.0/915
Length	3'
MOD in/mm	1.0/26
Mercury Content (mg)	3
HG Form	solid
Approx Initial Lumens	2225
Approx Mean Lumens	2050
CT deg K	4100
CRI	85
Avg Life 3 HR Inst Start	20,000
Avg Life 12 HR Prog Start	25,000
Special Desc	Three Phosphor, Universal Start
Approvals	IMERC, TCLP Compliant

W. Va. Electric
SUPPLY COMPANY



ORDERING INFORMATION

STATE.CONTRACTS@WVAELECTRIC.COM
TOLL FREE - 833-501-4739
DIRECT - 304-399-4567
FAX - 304-523-5337



MH250/U

METAL HALIDE PRICE LIST



Description	250W ED-28 Mogul Base Universal Burn
Ordering Code	49195
UNSPSC Code	39101614

Specifications

Watts	250
Base Type	Mogul Screw (E39)
Bulb Type	ED-28
MOL in/mm	8.3/211.2
MOD in/mm	3.54/90.0
LCL in/mm	5.00/127.0
Mercury Content (mg)	30
HG Form	liquid
Approx Initial Lumens	21000
Approx Mean Lumens	13700
CT deg K	4000
CRI	70
Rated Life	10,000
Common Code	MVR250/U
ANSI Ballast	M58
Fixt Rqmt	Enclosed
Burning Position	Universal
Special Desc	Probe Start
Coating	Clear
Approvals	IMERC

W. Va. Electric
SUPPLY COMPANY



ORDERING INFORMATION

STATE.CONTRACTS@WVAELECTRIC.COM
TOLL FREE - 833-501-4739
DIRECT - 304-399-4567
FAX - 304-523-5337



MH1000/U

METAL HALIDE PRICE LIST



Description	1000W BT-56 Mogul Base Universal Burn
Ordering Code	49199
UNSPSC Code	39101614

Specifications

Watts	1000
Base Type	Mogul Screw (E39)
Bulb Type	BT-56
MOL in/mm	15.5/393.7
MOD in/mm	7.09/180
LCL in/mm	9.50/241.0
Mercury Content (mg)	82.5
HG Form	liquid
Approx Initial Lumens	110000
Approx Mean Lumens	71000
CT deg K	4000
CRI	70
Rated Life	12,000
Common Code	MVR1000/U
ANSI Ballast	M47
Fixt Rqmt	Enclosed
Burning Position	Universal
Special Desc	Probe Start
Coating	Clear
Approvals	IMERC

W. Va. Electric
SUPPLY COMPANY



ORDERING INFORMATION

STATE.CONTRACTS@WVAELECTRIC.COM
TOLL FREE - 833-501-4739
DIRECT - 304-399-4567
FAX - 304-523-5337



MH70/U/MED

METAL HALIDE PRICE LIST



Description	70W ED-17 Medium Base Pulse Start Universal Burn
Ordering Code	15410
UNSPSC Code	39101614

Specifications

Watts	70
Base Type	Medium Screw (E26)
Bulb Type	ED-17
MOL in/mm	5.50/139.7
MOD in/mm	2.13/54.0
LCL in/mm	3.44/87.3
Mercury Content (mg)	10.8
HG Form	liquid
Approx Initial Lumens	5600
Approx Mean Lumens	3600
CT deg K	4000
CRI	70
Rated Life	15,000
Common Code	MVR70/U/MED
ANSI Ballast	M98
Fixt Rqmt	Enclosed
Burning Position	Universal
Special Desc	Pulse Start
Coating	Clear
Approvals	IMERC

W. Va. Electric
SUPPLY COMPANY



ORDERING INFORMATION

STATE.CONTRACTS@WVAELECTRIC.COM
TOLL FREE - 833-501-4739
DIRECT - 304-399-4567
FAX - 304-523-5337



MH1000/U/BT37

METAL HALIDE PRICE LIST



Description	1000W BT37 Reduced Jacket Mogul Base Universal Burn
Ordering Code	49557
UNSPSC Code	39101614

Specifications

Watts	1000
Base Type	Mogul Screw (E39)
Bulb Type	BT-37
MOL in/mm	11.5/292.1
LCL in/mm	7.00/178.0
Mercury Content (mg)	82.5
HG Form	liquid
Approx Initial Lumens	110000
Approx Mean Lumens	71000
CT deg K	4000
CRI	65
Rated Life	12,000
Common Code	MVR1000/U/BT37
ANSI Ballast	M47
Fixt Rqmt	Enclosed
Burning Position	Universal
Special Desc	Probe Start
Coating	Clear
Approvals	IMERC

W. Va. Electric
SUPPLY COMPANY



ORDERING INFORMATION

STATE.CONTRACTS@WVAELECTRIC.COM
TOLL FREE - 833-501-4739
DIRECT - 304-399-4567
FAX - 304-523-5337



MH175/U

METAL HALIDE PRICE LIST



Description	175W ED-28 Mogul Base Universal Burn
Ordering Code	49193
UNSPSC Code	39101614

Specifications

Watts	175
Base Type	Mogul Screw (E39)
Bulb Type	ED-28
MOL in/mm	8.3/211.2
MOD in/mm	3.54/90.0
LCL in/mm	5.00/127.0
Mercury Content (mg)	21
HG Form	liquid
Approx Initial Lumens	14000
Approx Mean Lumens	9100
CT deg K	4000
CRI	70
Rated Life	10,000
Common Code	MVR175/U
ANSI Ballast	M57/M107
Fixt Rqmt	Enclosed
Burning Position	Universal
Special Desc	Probe Start
Coating	Clear
Approvals	IMERC

W. Va. Electric
SUPPLY COMPANY



ORDERING INFORMATION

STATE.CONTRACTS@WVAELECTRIC.COM
TOLL FREE - 833-501-4739
DIRECT - 304-399-4567
FAX - 304-523-5337



MH400/U

METAL HALIDE PRICE LIST



Description	400W ED-37 Mogul Base Universal Burn
Ordering Code	49197
UNSPSC Code	39101614

Specifications

Watts	400
Base Type	Mogul Screw (E39)
Bulb Type	ED-37
MOL in/mm	11.5/292.1
MOD in/mm	4.65/118.0
LCL in/mm	7.00/178.0
Mercury Content (mg)	55
HG Form	liquid
Approx Initial Lumens	36000
Approx Mean Lumens	23000
CT deg K	4000
CRI	70
Rated Life	20,000
Common Code	MVR400/U
ANSI Ballast	M59
Fixt Rqmt	Enclosed
Burning Position	Universal
Special Desc	Probe Start
Coating	Clear
Approvals	IMERC

W. Va. Electric
SUPPLY COMPANY



ORDERING INFORMATION

STATE.CONTRACTS@WVAELECTRIC.COM
TOLL FREE - 833-501-4739
DIRECT - 304-399-4567
FAX - 304-523-5337



MH175/U/MED

METAL HALIDE PRICE LIST



Description	175W ED-17 Medium Base Universal Burn
Ordering Code	15414
UNSPSC Code	39101614

Specifications

Watts	175
Base Type	Medium Screw (E26)
Bulb Type	ED-17
MOL in/mm	5.50/139.7
MOD in/mm	2.13/54.0
LCL in/mm	3.44/87.3
Mercury Content (mg)	21
HG Form	liquid
Approx Initial Lumens	14000
Approx Mean Lumens	9100
CT deg K	4000
CRI	70
Rated Life	10,000
Common Code	MVR175/U/MED
ANSI Ballast	M57/M107
Fixt Rqmt	Enclosed
Burning Position	Universal
Special Desc	Probe Start
Coating	Clear
Approvals	IMERC

W. Va. Electric
SUPPLY COMPANY



ORDERING INFORMATION

STATE.CONTRACTS@WVAELECTRIC.COM
TOLL FREE - 833-501-4739
DIRECT - 304-399-4567
FAX - 304-523-5337



LED20WPAR38/FL/840K-DIM-G6

LED PRICE LIST



Description	LED Litespan PAR38, Flood 45 Deg Beam 20W-1700lm Dim, 4000K 80+CRI, 120V E26
Ordering Code	09172
UNSPSC Code	39101628

Specifications

Voltage Rating	120
Watts	20
Amps	0.18
mA	180
Lumens per Watt	85
Base Type	Medium Screw (E26)
Bulb Type	PAR 38
MOL in/mm	5.16/131
MOD in/mm	4.72/120
Lumens	1700
CT deg K	4000
CRI	80+
Beam Angle	45°
Rated Life	25000
Design Life	25000
Replaces	LED17WPAR38/FL/840K-DIM-G4A
Equivalent	150W Halogen
Ambient Operating Temp Range	-20° C (-4° F) to 40° C (104° F)
Approvals	cULus, Energy Star, RoHS Compliant

W. Va. Electric
SUPPLY COMPANY



ORDERING INFORMATION

STATE.CONTRACTS@WVAELECTRIC.COM
TOLL FREE - 833-501-4739
DIRECT - 304-399-4567
FAX - 304-523-5337



LED7WMR16/FL/827-DIM-G7

LED PRICE LIST



Description	LED MR16 FLOOD 40 DEGREE BEAM 7W-500LM DIMMABLE 2700K 80CRI 12V
Ordering Code	09493
UNSPSC Code	39101628

Specifications

Voltage Rating	12
Watts	7
Lumens per Watt	71
Base Type	GU5.3
Bulb Type	MR16
MOL in/mm	2.06/52.2
MOD in/mm	1.97/50
Lumens	500
CT deg K	2700
CRI	80
Beam Angle	40°
Rated Life	25000
Equivalent	50W Incandescent
Approvals	cULus, Energy Star

W. Va. Electric
SUPPLY COMPANY



ORDERING INFORMATION

STATE.CONTRACTS@WVAELECTRIC.COM
TOLL FREE - 833-501-4739
DIRECT - 304-399-4567
FAX - 304-523-5337



LED15WA19/OMN/827-DIM-G8

LED PRICE LIST



Description	LED Litespan A19 Omni-directional 15W-1600lm DIM ENCLOSED 80CRI 2700K E26 120VAC
Ordering Code	09886
UNSPSC Code	39101628

Specifications

Voltage Rating	120
Voltage Type	AC
Watts	15
Lumens per Watt	106
Base Type	Medium Screw (E26)
Bulb Type	A-19
MOL in/mm	4.61/117
MOD in/mm	2.36/60
Lumens	1600
CT deg K	2700
CRI	80+
Beam Angle	240°
Rated Life	25000
Equivalent	100W Incandescent
Ambient Operating Temp Range	-20° C (-4° F) to 40° C (104° F)
Approvals	cULus, FCC

W. Va. Electric
SUPPLY COMPANY



ORDERING INFORMATION

STATE.CONTRACTS@WVAELECTRIC.COM
TOLL FREE - 833-501-4739
DIRECT - 304-399-4567
FAX - 304-523-5337



LED11WA19/OMN/827-DIM-G8

LED PRICE LIST



Description	LED Litespan A19 Omni-directional 11W-1100lm DIM ENCLOSED 80CRI 2700K E26 120VAC
Ordering Code	09885
UNSPSC Code	39101628

Specifications

Voltage Rating	120
Voltage Type	AC
Watts	11
Lumens per Watt	100
Base Type	Medium Screw (E26)
Bulb Type	A-19
MOL in/mm	4.33/110
MOD in/mm	2.36/60
Lumens	1100
CT deg K	2700
CRI	80
Beam Angle	220°
Rated Life	25000
Equivalent	75W Incandescent
Ambient Operating Temp Range	-20° C (-4° F) to 45° C (113° F)
Approvals	cULus, FCC

W. Va. Electric
SUPPLY COMPANY



ORDERING INFORMATION

STATE.CONTRACTS@WVAELECTRIC.COM
TOLL FREE - 833-501-4739
DIRECT - 304-399-4567
FAX - 304-523-5337



LED9.5WA19/OMN/827-G8

LED PRICE LIST



Description	LED A19 9.5W-800LM NON-DIM 80CRI 2700K E26 120V
Ordering Code	09889
UNSPSC Code	39101628

Specifications

Voltage Rating	120
Voltage Type	AC
Watts	9.5
Lumens per Watt	84
Base Type	Medium Screw (E26)
Bulb Type	A-19
MOL in/mm	4.33/110
MOD in/mm	2.36/60
Lumens	800
CT deg K	2700
CRI	80
Beam Angle	220°
Rated Life	15000
Equivalent	60W Incandescent
Ambient Operating Temp Range	-20° C (-4° F) to 45° C (113° F)
Approvals	cULus, FCC

W. Va. Electric
SUPPLY COMPANY



ORDERING INFORMATION

STATE.CONTRACTS@WVAELECTRIC.COM
TOLL FREE - 833-501-4739
DIRECT - 304-399-4567
FAX - 304-523-5337



Product Number: 13456

Order Abbr eviation: 40B10C/BL/2PK 120V

General Description: Incandescent B10 Décor Bulb Shape Clear Finish Candelabra Base 40Watt 120Volt Blister Pack 12Bulbs Per Case 2Bulbs Per Package



INCANDESCENT PRICE LIST

Product Information

Abbrev. With Packaging Info.	40B10CBL2PK 120V 12/CS 2/SKU
Average Rated Life (hr)	1500
Base	Candelabra
Bulb	B10
Class	C (gas)
Color Rendering Index (CRI)	100
Color Temperature/CCT (K)	2850
Diameter (in)	1.250
Diameter (mm)	31.75
Filament	C-7A
Lamp Finish	Clear
Maximum Overall Length - MOL (in)	3.875
Maximum Overall Length - MOL (mm)	98.425
Nominal Voltage (V)	120.00
Nominal Wattage (W)	40.00



ORDERING INFORMATION

STATE.CONTRACTS@WVAELECTRIC.COM
 TOLL FREE - 833-501-4739
 DIRECT - 304-399-4567
 FAX - 304-523-5337

COMPACT FLUORESCENT FLUORESCENT METAL HALIDE LED INCANDESCENT HALOGEN HIGH PRESSURE SODIUM BALLAST



Product Number: 13452

Order Abbr eviation: 25B10C/BL/2PK 120V

General Description: Incandescent B10 Décor Bulb Shape Clear Finish Candelabra Base 25Watt 120Volt Blister Pack 12Bulbs Per Case 2Bulbs Per Package



INCANDESCENT PRICE LIST

Product Information

Abbrev. With Packaging Info.	25B10CBL2PK 120V 12/CS 2/SKU
Average Rated Life (hr)	1500
Base	Candelabra
Bulb	B10
Class	C (gas)
Color Rendering Index (CRI)	100
Color Temperature/CCT (K)	2850
Diameter (in)	1.250
Diameter (mm)	31.75
Filament	C-7A
Lamp Finish	Clear
Maximum Overall Length - MOL (in)	3.875
Maximum Overall Length - MOL (mm)	98.425
Nominal Voltage (V)	120.00
Nominal Wattage (W)	25.00



COMPACT FLUORESCENT FLUORESCENT METAL HALIDE LED INCANDESCENT HALOGEN HIGH PRESSURE SODIUM BALLAST



ORDERING INFORMATION

STATE.CONTRACTS@WVAELECTRIC.COM
 TOLL FREE - 833-501-4739
 DIRECT - 304-399-4567
 FAX - 304-523-5337



Product Number: 10141
 Order Abbr eviation: 40A15/2PK/RP 120V



General Description: Incandescent A15 Bulb Shape Appliance Clear Medium Aluminum Base 40Watt 120Volt Retail Pack 24Bulbs Per Case 2Bulbs Per Package

Product Information

Abbrev. With Packaging Info.	40A152PKRP 120V 24/CS 2/SKU
Approx. Lumens	430
Average Rated Life (hr)	1000
Base	Medium
Bulb	A15
Class	C (gas)
Color Rendering Index (CRI)	100
Color Temperature/CCT (K)	2850
Diameter (in)	1.875
Diameter (mm)	47.62
Filament	C-9
Lamp Finish	Clear
Light Center Length - LCL (in)	2.375
Light Center Length - LCL (mm)	60
Maximum Overall Length - MOL (in)	3.500
Maximum Overall Length - MOL (mm)	88.9
Nominal Voltage (V)	120.00
Nominal Wattage (W)	40.00

Footnotes

- Rated for oven use.



ORDERING INFORMATION

STATE.CONTRACTS@WVAELECTRIC.COM
 TOLL FREE - 833-501-4739
 DIRECT - 304-399-4567
 FAX - 304-523-5337

COMPACT FLUORESCENT FLUORESCENT METAL HALIDE LED INCANDESCENT HALOGEN HIGH PRESSURE SODIUM BALLAST



6S6/145V

INCANDESCENT PRICE LIST



Description	145V 6W S-6 Candelabra Base
Ordering Code	40789
UNSPSC Code	39101622

Specifications

Voltage Rating	145
Watts	6
Amps	0.041
Base Type	Candelabra Screw (E12)
Bulb Type	S-6
Filament	C-7A
MOL in/mm	1.88/47.8
MOD in/mm	0.75/19.1
Lumens	17.60
Rated Life	1,500
Coating	Clear

W. Va. Electric
SUPPLY COMPANY



ORDERING INFORMATION

STATE.CONTRACTS@WVAELECTRIC.COM
TOLL FREE - 833-501-4739
DIRECT - 304-399-4567
FAX - 304-523-5337



Product Number: 13367

Order Abbreviation: 40B13/FAN/BL/2PK 120V

General Description: Incandescent 40W B13 medium base fan lamp 2/SKU 12/Case



Product Information

Abbrev. With Packaging Info.	40B13FANBL2PK 120V 12/CS 2/SKU
Approx. Lumens	455
Average Rated Life (hr)	1500
Base	Medium
Bulb	B13
Class	C (gas)
Diameter (in)	1.614
Diameter (mm)	41.00
Filament	C-9
Lamp Finish	Clear
Maximum Overall Length - MOL (in)	4.625
Maximum Overall Length - MOL (mm)	118
Nominal Voltage (V)	120.00
Nominal Wattage (W)	40.00



ORDERING INFORMATION

STATE.CONTRACTS@WVAELECTRIC.COM
TOLL FREE - 833-501-4739
DIRECT - 304-399-4567
FAX - 304-523-5337

COMPACT FLUORESCENT FLUORESCENT METAL HALIDE LED INCANDESCENT HALOGEN HIGH PRESSURE SODIUM BALLAST



Q250CL/DC-120V

HALOGEN PRICE LIST



Description	120V 250W T4-1/4 DC Bayonet Base (ESS)
Ordering Code	49610
UNSPSC Code	39101601

Specifications

Voltage Rating	120
Watts	250
Amps	2.08
Base Type	DC Bayonet (BA15d)
Bulb Type	T-4 1/4
Filament	CC-8
MOL in/mm	2.56/65
MOD in/mm	0.53/13.5
LCL in/mm	1.57/40
Lumens	5000
CT deg K	3000
Rated Life	2,000
Common Code	Q250CL/DC
ANSI Code	ESS
Type Use	S/S
Poss Sub	ETB

W. Va. Electric
SUPPLY COMPANY



ORDERING INFORMATION

STATE.CONTRACTS@WVAELECTRIC.COM
TOLL FREE - 833-501-4739
DIRECT - 304-399-4567
FAX - 304-523-5337



Q250CL/DC-130V

HALOGEN PRICE LIST



Description	130V 250W T-4 DC Bayonet Base
Ordering Code	15264
UNSPSC Code	39101601

Specifications

Voltage Rating	130
Watts	250
Base Type	DC Bayonet (BA15d)
Bulb Type	T-4
Filament	CC-8
MOL in/mm	3.00/76.2
MOD in/mm	0.52/13.0
LCL in/mm	1.62/41.0
Lumens	5000
CT deg K	3000
Rated Life	2,000
Type Use	General

W. Va. Electric
SUPPLY COMPANY



ORDERING INFORMATION

STATE.CONTRACTS@WVAELECTRIC.COM
TOLL FREE - 833-501-4739
DIRECT - 304-399-4567
FAX - 304-523-5337



LU70

HIGH PRESSURE SODIUM PRICE LIST



Description	**2BD** 70W HPS ED23-1/2 Mogul Base
Ordering Code	15308
UNSPSC Code	39101617

Specifications

Voltage Rating	52
Watts	70
Base Type	Mogul Screw (E39)
Bulb Type	ED-23.5
MOL in/mm	7.75/196.9
MOD in/mm	2.91/74.0
LCL in/mm	5.00/127.0
Mercury Content (mg)	3.75
HG Form	liquid
Approx Initial Lumens	6300
Approx Mean Lumens	5670
CT deg K	2100
CRI	21
Rated Life	24,000
Common Code	C70S62
ANSI Ballast	S62
Fixt Rqmt	Open
Burning Position	Universal
Coating	Clear
Approvals	IMERC, TCLP Compliant

W. Va. Electric
SUPPLY COMPANY



ORDERING INFORMATION

STATE.CONTRACTS@WVAELECTRIC.COM
TOLL FREE - 833-501-4739
DIRECT - 304-399-4567
FAX - 304-523-5337

COMPACT FLUORESCENT FLUORESCENT METAL HALIDE LED INCANDESCENT HALOGEN HIGH PRESSURE SODIUM BALLAST



LU1000

HIGH PRESSURE SODIUM PRICE LIST



Description	1000W HPS ED-25 Mogul Base
Ordering Code	15324
UNSPSC Code	39101617

Specifications

Voltage Rating	250
Watts	1000
Base Type	Mogul Screw (E39)
Bulb Type	E-25
MOL in/mm	15.06/382.6
MOD in/mm	3.11/79.0
LCL in/mm	8.75/222.3
Mercury Content (mg)	12.5
HG Form	liquid
Approx Initial Lumens	140000
Approx Mean Lumens	126000
CT deg K	2100
CRI	21
Rated Life	24,000
Common Code	C1000S52
ANSI Ballast	S52
Fixt Rqmt	Open
Burning Position	Universal
Coating	Clear
Approvals	IMERC, TCLP Compliant

W. Va. Electric
SUPPLY COMPANY



ORDERING INFORMATION

STATE.CONTRACTS@WVAELECTRIC.COM
TOLL FREE - 833-501-4739
DIRECT - 304-399-4567
FAX - 304-523-5337



LU150/55/MED

HIGH PRESSURE SODIUM PRICE LIST



Description	150W HPS ED-17 Medium Base
Ordering Code	15314
UNSPSC Code	39101617

Specifications

Voltage Rating	55
Watts	150
Base Type	Medium Screw (E26)
Bulb Type	ED-17
MOL in/mm	5.44/138.0
MOD in/mm	2.17/55.0
LCL in/mm	3.50/88.9
Mercury Content (mg)	6.25
HG Form	liquid
Approx Initial Lumens	16000
Approx Mean Lumens	14400
CT deg K	2100
CRI	21
Rated Life	24,000
Common Code	C150S55/M
ANSI Ballast	S55
Fixt Rqmt	Open
Burning Position	Universal
Coating	Clear
Approvals	IMERC, TCLP Compliant

W. Va. Electric
SUPPLY COMPANY



ORDERING INFORMATION

STATE.CONTRACTS@WVAELECTRIC.COM
TOLL FREE - 833-501-4739
DIRECT - 304-399-4567
FAX - 304-523-5337



LU400

HIGH PRESSURE SODIUM PRICE LIST



Description	400W HPS ED-18 Mogul Base
Ordering Code	15322
UNSPSC Code	39101617

Specifications

Voltage Rating	100
Watts	400
Base Type	Mogul Screw (E39)
Bulb Type	ED-18
MOL in/mm	9.75/247.6
MOD in/mm	2.28/58.0
LCL in/mm	5.75/146.0
Mercury Content (mg)	12.5
HG Form	liquid
Approx Initial Lumens	50000
Approx Mean Lumens	45000
CT deg K	2100
CRI	21
Rated Life	24,000
Common Code	C400S51
ANSI Ballast	S51
Fixt Rqmt	Open
Burning Position	Universal
Coating	Clear
Approvals	IMERC, TCLP Compliant

W. Va. Electric
SUPPLY COMPANY



ORDERING INFORMATION

STATE.CONTRACTS@WVAELECTRIC.COM
TOLL FREE - 833-501-4739
DIRECT - 304-399-4567
FAX - 304-523-5337



PM-2X32T8-UNV-IS

BALLAST PRICE LIST



Description	Instant Start Fluorescent Lamp Ballast 2x17W 25W 32W 120-277VAC
Ordering Code	07825
UNSPSC Code	39101901

Specifications

Voltage Rating	120~277
Voltage Type	AC
Approvals	cULus

W. Va. Electric
SUPPLY COMPANY



ORDERING INFORMATION

STATE.CONTRACTS@WVAELECTRIC.COM
TOLL FREE - 833-501-4739
DIRECT - 304-399-4567
FAX - 304-523-5337



CERTIFIED GREEN

PM-2X32T8-UNV-IS

PowerMaster™ T8 Ballast




PRODUCT FEATURES

STARTING METHOD: Instant	INPUT VOLTAGE: 120-277VAC ± 10%	POWER FACTOR: High	WARRANTY: 5 Years
LAMP CONNECTION: Parallel	INPUT FREQUENCY: 50/60 Hz	BALLAST FACTOR: Normal	CEE Specified

- Sound Rated: A
- Minimum Starting Temperature: 0°F, -18°C
- Maximum Case Temperature: 167°F, 75°C
- Meets FCC Part 18 (Class B) Consumer Limits
- Transient Protection Meets ANSI/IEEE62.41 Cat. A
- Ballast frequency for all listed lamps: > 40KHz-52KHz

ELECTRICAL SPECIFICATIONS

LAMP TYPE	NO. OF LAMPS	INPUT VOLTS	INPUT WATTS	INPUT CURRENT (AMPS)	POWER FACTOR	CREST FACTOR	BALLAST FACTOR	BALLAST EFFICACY FACTOR	MAX THD%	WIRING DIAGRAM
F32T8 F32T8/U6 (U-bend)	2	120	55.0	0.46	0.99	<1.70	0.87	1.58	10	F2-4
		277	55.0	0.20	0.99	<1.70	0.87	1.58	10	F2-4
	1	120	33.0	0.28	0.99	<1.70	1.05	3.18	12	F1-4
		277	33.0	0.12	0.98	<1.70	1.05	3.18	12	F1-4
F32T8/ES (30W)	2	120	52.0	0.44	0.99	<1.70	0.87	1.67	10	F2-4
		277	52.0	0.19	0.99	<1.70	0.87	1.67	10	F2-4
	1	120	32.0	0.27	0.99	<1.70	1.05	3.28	10	F1-4
		277	32.0	0.12	0.98	<1.70	1.05	3.28	12	F1-4
F28T8/ES	2	120	49.0	0.41	0.99	<1.70	0.87	1.78	10	F2-4
		277	49.0	0.18	0.99	<1.70	0.87	1.78	10	F2-4
	1	120	29.0	0.25	0.99	<1.70	1.10	3.79	10	F1-4
		277	29.0	0.11	0.98	<1.70	1.10	3.79	12	F1-4
F32T/ES (25W)	2	120	44.0	0.37	0.99	<1.70	0.87	1.98	10	F2-4
		277	44.0	0.16	0.99	<1.70	0.87	1.98	10	F2-4
	1	120	27.0	0.23	0.99	<1.70	1.07	3.96	10	F1-4
		277	27.0	0.10	0.98	<1.70	1.07	3.96	12	F1-4
F25T8 (3' lamp)	2	120	44.0	0.37	0.99	<1.70	0.88	2.00	10	F2-4
		277	44.0	0.16	0.99	<1.70	0.88	2.00	10	F2-4
	1	120	27.0	0.23	0.99	<1.70	1.10	4.07	12	F1-4
		277	27.0	0.10	0.97	<1.70	1.10	4.07	15	F1-4
F17T8	2	120	30.0	0.26	0.99	<1.70	0.90	3.00	12	F2-4
		277	30.0	0.11	0.98	<1.70	0.90	3.00	12	F2-4
	1	120	20.0	0.17	0.99	<1.70	1.25	6.25	12	F1-4
		277	21.0	0.08	0.95	<1.70	1.25	5.95	15	F1-4
F40T8	1	120	40.0	0.34	0.99	<1.70	1.00	2.50	10	F1-4
		277	41.0	0.15	0.99	<1.70	1.00	2.44	10	F1-4
PLL 25W	2	120	51.0	0.43	0.99	<1.70	0.88	1.73	10	P2-3
		277	51.0	0.19	0.98	<1.70	0.89	1.75	10	P2-3
	1	120	33.0	0.28	0.99	<1.70	1.01	3.06	10	P2-3
		277	33.0	0.12	0.97	<1.70	1.01	3.06	12	P2-3
PLL 28W	2	120	60.0	0.51	0.99	<1.70	0.93	1.55	10	P2-3
		277	60.0	0.22	0.99	<1.70	0.94	1.57	10	P2-3
	1	120	38.0	0.32	0.99	<1.70	1.07	2.82	10	P2-3
		277	38.0	0.14	0.98	<1.70	1.07	2.82	10	P2-3
DT40 (PLL 40W)	1	120	40.0	0.34	0.99	<1.70	0.80	2.00	10	P2-3
		277	40.0	0.15	0.98	<1.70	0.80	2.00	10	P2-3

COMPACT FLUORESCENT FLUORESCENT METAL HALIDE LED INCANDESCENT HALOGEN HIGH PRESSURE SODIUM BALLAST

W. Va. Electric
SUPPLY COMPANY



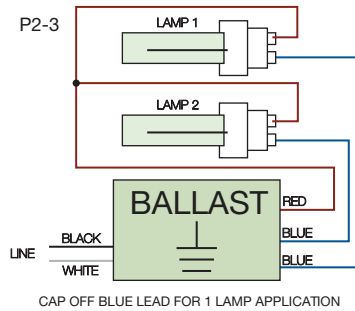
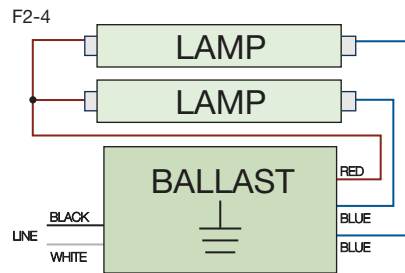
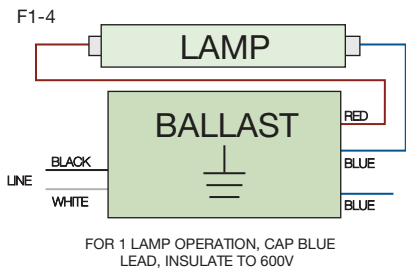
ORDERING INFORMATION

STATE.CONTRACTS@WVAELECTRIC.COM
TOLL FREE - 833-501-4739
DIRECT - 304-399-4567
FAX - 304-523-5337

PowerMaster™

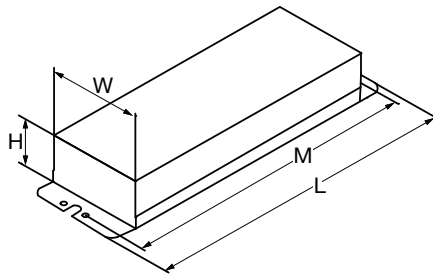
COMPACT FLUORESCENT FLUORESCENT METAL HALIDE LED INCANDESCENT HALOGEN HIGH PRESSURE SODIUM BALLAST

WIRING DIAGRAMS



Instant Start T8 ballasts require the use of shunted lampholders/sockets.

CASE STYLE/DIMENSIONS



CASE DIMENSIONS

LENGTH: 9.57"
WIDTH: 1.16"
HEIGHT: 1.05"
MOUNTING: 8.90"
UNIT WEIGHT: 0.90 lbs.

STANDARD LEAD LENGTHS*

BLACK: 25.00"
WHITE: 25.00"
BLUE: 31.00" X 31.00"
RED: 44.00"

*Consult EiKO for special lead length requirements.

HOT SPOT LOCATION



ORDERING INFORMATION

STATE.CONTRACTS@WVAELECTRIC.COM
 TOLL FREE - 833-501-4739
 DIRECT - 304-399-4567
 FAX - 304-523-5337



PM-4X32T8-UNV-IS

BALLAST PRICE LIST



Description Instant Start Fluorescent Lamp Ballast 4x17W 25W 32W 120-277VAC

Ordering Code 07826

UNSPSC Code 39101901

Specifications

Voltage Rating	120~277
Voltage Type	AC
Approvals	cULus

COMPACT FLUORESCENT FLUORESCENT METAL HALIDE LED INCANDESCENT HALOGEN HIGH PRESSURE SODIUM BALLAST



ORDERING INFORMATION

STATE.CONTRACTS@WVAELECTRIC.COM
 TOLL FREE - 833-501-4739
 DIRECT - 304-399-4567
 FAX - 304-523-5337



CERTIFIED GREEN

PM-4X32T8-UNV-IS

PowerMaster™ T8 Ballast



RoHS
Compliant

PRODUCT FEATURES

STARTING METHOD: Instant	INPUT VOLTAGE: 120-277VAC ± 10%	POWER FACTOR: High	WARRANTY: 5 Years
LAMP CONNECTION: Parallel	INPUT FREQUENCY: 50/60 Hz	BALLAST FACTOR: Normal	CEE Specified

- Sound Rated: A
- Minimum Starting Temperature: 0°F, -18°C
- Maximum Case Temperature: 167°F, 75°C

- Meets FCC Part 18 (Class A) Non-Consumer Limits
- Transient Protection Meets ANSI/IEEE C62.41 Cat. A
- Ballast frequency for all listed lamps: > 40KHz

ELECTRICAL SPECIFICATIONS

LAMP TYPE	NO. OF LAMPS	INPUT VOLTS	INPUT WATTS	INPUT CURRENT (AMPS)	POWER FACTOR	CREST FACTOR	BALLAST FACTOR	BALLAST EFFICACY FACTOR	MAX THD%	WIRING DIAGRAM
F32T8 F32T8/U6 (U-bend)	4	120	110.0	0.92	0.99	<1.70	0.88	0.80	10	F4-1
		277	106.0	0.38	0.99	<1.70	0.87	0.82	10	F4-1
	3	120	89.0	0.74	0.99	<1.70	0.94	1.06	10	F3-3
		277	88.0	0.32	0.98	<1.70	0.95	1.08	10	F3-3
F32T8/ES (30W)	4	120	105.0	0.88	0.99	<1.70	0.86	0.82	10	F4-1
		277	106.0	0.38	0.98	<1.70	0.87	0.82	10	F4-1
	3	120	85.0	0.71	0.99	<1.70	0.93	1.09	10	F3-3
		277	85.0	0.31	0.97	<1.70	0.93	1.09	12	F3-3
F28T8/ES	4	120	100.0	0.83	0.99	<1.70	0.88	0.88	10	F4-1
		277	100.0	0.36	0.98	<1.70	0.87	0.87	10	F4-1
	3	120	83.0	0.69	0.99	<1.70	0.98	1.18	10	F3-3
		277	84.0	0.30	0.97	<1.70	0.99	1.18	12	F3-3
F32T/ES (25W)	4	120	94.0	0.78	0.99	<1.70	0.94	1.00	10	F4-1
		277	94.0	0.34	0.98	<1.70	0.93	0.99	10	F4-1
	3	120	77.0	0.64	0.99	<1.70	1.01	1.31	10	F3-3
		277	77.0	0.28	0.97	<1.70	1.01	1.31	12	F3-3
F25T8 (3' lamp)	4	120	83.0	0.69	0.99	<1.70	0.82	0.99	10	F4-1
		277	84.0	0.30	0.97	<1.70	0.83	0.99	12	F4-1
	3	120	69.0	0.58	0.99	<1.70	0.91	1.32	10	F3-3
		277	70.0	0.25	0.97	<1.70	0.92	1.31	12	F3-3
F17T8	4	120	62.0	0.52	0.99	<1.70	0.90	1.45	10	F4-1
		277	62.0	0.22	0.96	<1.70	0.90	1.45	12	F4-1
	3	120	51.0	0.43	0.99	<1.70	0.99	1.94	10	F3-3
		277	51.0	0.18	0.95	<1.70	0.99	1.94	15	F3-3
F40T8	3	120	109.0	0.91	0.99	<1.70	0.90	0.83	10	F3-3
		277	108.0	0.39	0.98	<1.70	0.89	0.82	10	F3-3
PLL 25W	4	120	101.0	0.85	0.99	<1.70	0.89	0.88	10	P4-1
		277	100.0	0.37	0.98	<1.70	0.89	0.89	10	P4-1
	3	120	82.0	0.68	0.99	<1.70	0.95	1.16	10	P4-1
		277	82.0	0.30	0.98	<1.70	0.96	1.17	10	P4-1
PLL 28W	4	120	117.0	0.98	0.99	<1.70	0.92	0.79	10	P4-1
		277	117.0	0.43	0.98	<1.70	0.93	0.79	10	P4-1
	3	120	97.0	0.81	0.99	<1.70	1.00	1.03	10	P4-1
		277	97.0	0.36	0.98	<1.70	1.01	1.04	10	P4-1
DT40 (PLL 40W)	3	120	100.0	0.84	0.99	<1.70	0.75	0.73	10	P4-1
		277	100.0	0.37	0.98	<1.70	0.75	0.74	10	P4-1

COMPACT FLUORESCENT FLUORESCENT METAL HALIDE LED INCANDESCENT HALOGEN HIGH PRESSURE SODIUM BALLAST

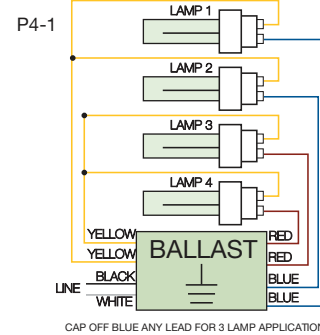
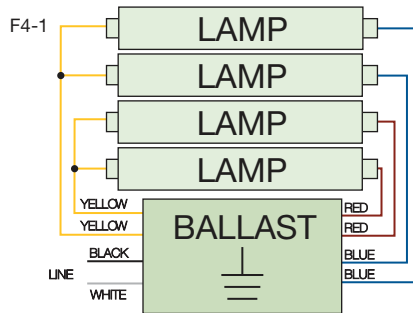
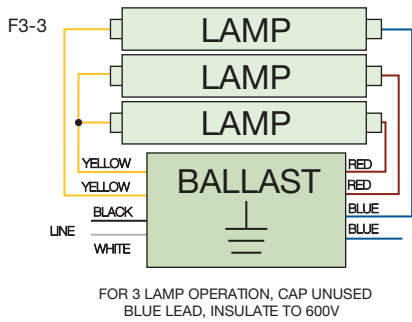
W. Va. Electric
 SUPPLY COMPANY


ORDERING INFORMATION

 STATE.CONTRACTS@WVAELECTRIC.COM
 TOLL FREE - 833-501-4739
 DIRECT - 304-399-4567
 FAX - 304-523-5337

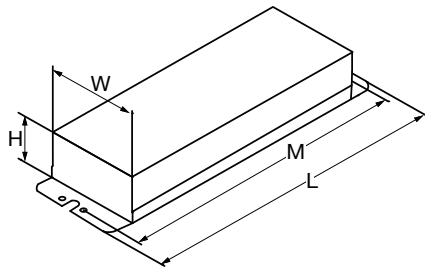


WIRING DIAGRAMS



Instant Start T8 ballasts require the use of shunted lampholders/sockets.

CASE STYLE/DIMENSIONS



CASE DIMENSIONS

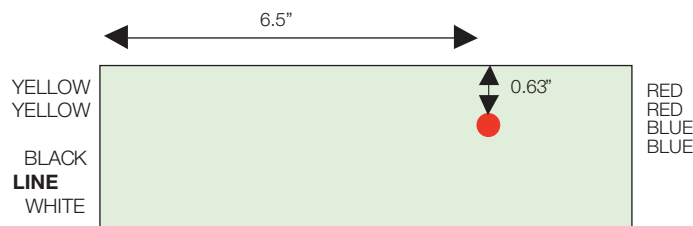
LENGTH: 9.50"
WIDTH: 1.38"
HEIGHT: 1.18"
MOUNTING: 8.90"
UNIT WEIGHT: 1.21 lbs.

STANDARD LEAD LENGTHS*

BLACK: 25.00"
WHITE: 25.00"
BLUE: 31.00" X 31.00"
RED: 31.00" X 31.00"
YELLOW: 45.00" X 45.00"

*Consult EIKO for special lead length requirements.

HOT SPOT LOCATION



ORDERING INFORMATION



PM-3X32T8-UNV-IS

BALLAST PRICE LIST



Description	Instant Start Fluorescent Lamp Ballast 3x17W 25W 32W 120-277VAC
Ordering Code	07868
UNSPSC Code	39101901

Specifications

Voltage Rating	120~277
Voltage Type	AC
Approvals	cULus

W. Va. Electric
SUPPLY COMPANY



ORDERING INFORMATION

STATE.CONTRACTS@WVAELECTRIC.COM
TOLL FREE - 833-501-4739
DIRECT - 304-399-4567
FAX - 304-523-5337



PM-3X32T8-UNV-IS

PowerMaster™ T8 Ballast



PRODUCT FEATURES

STARTING METHOD: Instant	INPUT VOLTAGE: 120-277VAC ± 10%	POWER FACTOR: High	WARRANTY: 5 Years
LAMP CONNECTION: Parallel	INPUT FREQUENCY: 50/60 Hz	BALLAST FACTOR: Normal	CEE Specified

- Sound Rated: A
- Minimum Starting Temperature: 0°F, -18°C
- Maximum Case Temperature: 167°F, 75°C
- Meets FCC Part 18 (Class A) Non-Consumer Limits
- Transient Protection Meets ANSI/IEEE C62.41 Cat. A
- Ballast frequency for all listed lamps: > 40kHz

ELECTRICAL SPECIFICATIONS

LAMP TYPE	NO. OF LAMPS	INPUT VOLTS	INPUT WATTS	INPUT CURRENT (AMPS)	POWER FACTOR	CREST FACTOR	BALLAST FACTOR	BALLAST EFFICACY FACTOR	MAX THD%	WIRING DIAGRAM
F32T832W	3	120	83.0	0.69	0.99	<1.70	0.87	1.05	10	F3-2
		277	81.0	0.29	0.98	<1.70	0.88	1.09	10	F3-2
	2	120	64.0	0.53	0.99	<1.70	1.02	1.59	10	F2-5
		277	63.0	0.23	0.97	<1.70	1.01	1.60	12	F2-5
F32T830W	3	120	79.0	0.66	0.99	<1.70	0.87	1.10	10	F3-2
		277	79.0	0.29	0.98	<1.70	0.87	1.10	10	F3-2
	2	120	60.0	0.50	0.99	<1.70	0.98	1.63	10	F2-5
		277	60.0	0.22	0.97	<1.70	0.98	1.63	12	F2-5
F32T828W	3	120	76.0	0.63	0.99	<1.70	0.89	1.17	10	F3-2
		277	77.0	0.28	0.97	<1.70	0.89	1.16	12	F3-2
	2	120	57.0	0.48	0.99	<1.70	1.01	1.77	10	F2-5
		277	57.0	0.21	0.96	<1.70	1.01	1.77	12	F2-5
F32T825W	3	120	71.0	0.59	0.99	<1.70	0.94	1.32	10	F3-2
		277	72.0	0.26	0.97	<1.70	0.95	1.32	12	F3-2
	2	120	54.0	0.45	0.99	<1.70	1.07	1.98	10	F2-5
		277	54.0	0.20	0.96	<1.70	1.07	1.98	12	F2-5
F25T825W	3	120	72.0	0.60	0.99	<1.70	0.95	1.32	10	F3-2
		277	72.0	0.26	0.99	<1.70	0.95	1.32	10	F3-2
	2	120	54.0	0.45	0.99	<1.70	1.07	1.98	10	F2-5
		277	55.0	0.20	0.96	<1.70	1.07	1.95	12	F2-5
F17T817W	3	120	47.0	0.39	0.99	<1.70	0.86	1.83	10	F3-2
		277	48.0	0.17	0.95	<1.70	0.88	1.83	15	F3-2
	2	120	37.0	0.31	0.99	<1.70	1.01	2.73	10	F2-5
		277	38.0	0.14	0.93	<1.70	1.03	2.71	15	F2-5
F40T840W	2	120	78.0	0.65	0.99	<1.70	0.92	0.92	10	F2-5
		277	77.0	0.28	0.98	<1.70	0.88	0.88	10	F2-5
PLL25W	3	120	75.0	0.62	0.99	<1.70	0.88	1.17	10	P3-1
		277	75.0	0.27	0.98	<1.70	0.89	1.19	10	P3-1
	2	120	59.0	0.49	0.99	<1.70	1.00	1.69	12	P3-1
		277	59.0	0.22	0.97	<1.70	1.01	1.71	10	P3-1
PLL28W	3	120	89.0	0.75	0.99	<1.70	0.93	1.04	10	P3-1
		277	89.0	0.32	0.98	<1.70	0.94	1.06	10	P3-1
	2	120	69.0	0.58	0.99	<1.70	1.06	1.54	10	P3-1
		277	70.0	0.25	0.98	<1.70	1.06	1.51	10	P3-1
DT40 (PLL40W)	2	120	71.0	0.59	0.99	<1.70	0.76	1.07	10	P3-1
		277	71.0	0.26	0.98	<1.70	0.78	1.10	10	P3-1

COMPACT FLUORESCENT FLUORESCENT METAL HALIDE LED INCANDESCENT HALOGEN HIGH PRESSURE SODIUM BALLAST

W. Va. Electric
SUPPLY COMPANY



55

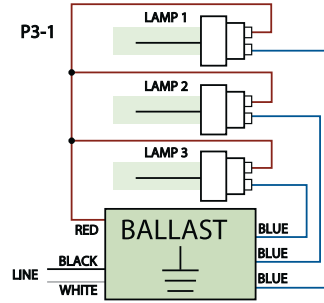
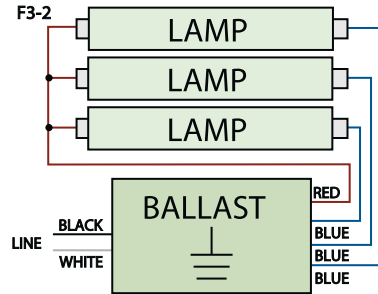
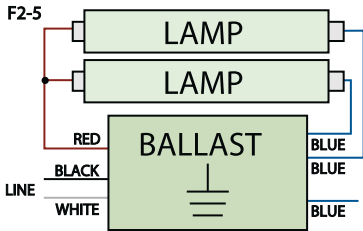
ORDERING INFORMATION

STATE.CONTRACTS@WVAELECTRIC.COM
TOLL FREE - 833-501-4739
DIRECT - 304-399-4567
FAX - 304-523-5337

PowerMaster™

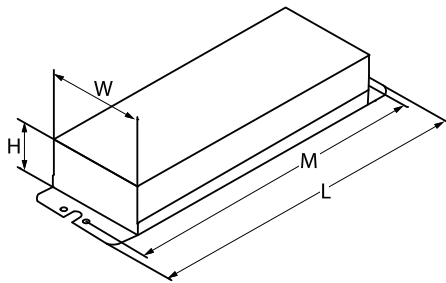
COMPACT FLUORESCENT FLUORESCENT METAL HALIDE LED INCANDESCENT HALOGEN HIGH PRESSURE SODIUM BALLAST

WIRING DIAGRAMS



Instant Start T8 ballasts require the use of shunted lampholders/sockets.

CASE STYLE/DIMENSIONS



CASE DIMENSIONS

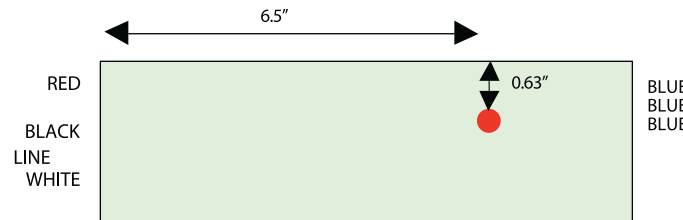
LENGTH: 9.50"
WIDTH: 1.38"
HEIGHT: 1.18"
MOUNTING: 8.90"
UNIT WEIGHT: 1.80 lbs.

STANDARD LEAD LENGTHS*

BLACK: 25.00"
WHITE: 25.00"
BLUE: 31.00" X 31.00" X 31.00"
RED: 48.00"

*Consult EIKO for special lead length requirements.

HOT SPOT LOCATION



ORDERING INFORMATION



PM-4X32T8-UNV-IS

BALLAST PRICE LIST



Description	Instant Start Fluorescent Lamp Ballast 4x17W 25W 32W 120-277VAC
Ordering Code	07826
UNSPSC Code	39101901

Specifications

Voltage Rating	120~277
Voltage Type	AC
Approvals	cULus

W. Va. Electric
SUPPLY COMPANY



ORDERING INFORMATION

STATE.CONTRACTS@WVAELECTRIC.COM
TOLL FREE - 833-501-4739
DIRECT - 304-399-4567
FAX - 304-523-5337



CERTIFIED GREEN

PM-4X32T8-UNV-IS

PowerMaster™ T8 Ballast




PRODUCT FEATURES

STARTING METHOD: Instant	INPUT VOLTAGE: 120-277VAC ± 10%	POWER FACTOR: High	WARRANTY: 5 Years
LAMP CONNECTION: Parallel	INPUT FREQUENCY: 50/60 Hz	BALLAST FACTOR: Normal	CEE Specified

- Sound Rated: A
- Minimum Starting Temperature: 0°F, -18°C
- Maximum Case Temperature: 167°F, 75°C

- Meets FCC Part 18 (Class A) Non-Consumer Limits
- Transient Protection Meets ANSI/IEEE C62.41 Cat. A
- Ballast frequency for all listed lamps: > 40KHz

ELECTRICAL SPECIFICATIONS

LAMP TYPE	NO. OF LAMPS	INPUT VOLTS	INPUT WATTS	INPUT CURRENT (AMPS)	POWER FACTOR	CREST FACTOR	BALLAST FACTOR	BALLAST EFFICACY FACTOR	MAX THD%	WIRING DIAGRAM
F32T8 F32T8/U6 (U-bend)	4	120	110.0	0.92	0.99	<1.70	0.88	0.80	10	F4-1
		277	106.0	0.38	0.99	<1.70	0.87	0.82	10	F4-1
	3	120	89.0	0.74	0.99	<1.70	0.94	1.06	10	F3-3
		277	88.0	0.32	0.98	<1.70	0.95	1.08	10	F3-3
F32T8/ES (30W)	4	120	105.0	0.88	0.99	<1.70	0.86	0.82	10	F4-1
		277	106.0	0.38	0.98	<1.70	0.87	0.82	10	F4-1
	3	120	85.0	0.71	0.99	<1.70	0.93	1.09	10	F3-3
		277	85.0	0.31	0.97	<1.70	0.93	1.09	12	F3-3
F28T8/ES	4	120	100.0	0.83	0.99	<1.70	0.88	0.88	10	F4-1
		277	100.0	0.36	0.98	<1.70	0.87	0.87	10	F4-1
	3	120	83.0	0.69	0.99	<1.70	0.98	1.18	10	F3-3
		277	84.0	0.30	0.97	<1.70	0.99	1.18	12	F3-3
F32T/ES (25W)	4	120	94.0	0.78	0.99	<1.70	0.94	1.00	10	F4-1
		277	94.0	0.34	0.98	<1.70	0.93	0.99	10	F4-1
	3	120	77.0	0.64	0.99	<1.70	1.01	1.31	10	F3-3
		277	77.0	0.28	0.97	<1.70	1.01	1.31	12	F3-3
F25T8 (3' lamp)	4	120	83.0	0.69	0.99	<1.70	0.82	0.99	10	F4-1
		277	84.0	0.30	0.97	<1.70	0.83	0.99	12	F4-1
	3	120	69.0	0.58	0.99	<1.70	0.91	1.32	10	F3-3
		277	70.0	0.25	0.97	<1.70	0.92	1.31	12	F3-3
F17T8	4	120	62.0	0.52	0.99	<1.70	0.90	1.45	10	F4-1
		277	62.0	0.22	0.96	<1.70	0.90	1.45	12	F4-1
	3	120	51.0	0.43	0.99	<1.70	0.99	1.94	10	F3-3
		277	51.0	0.18	0.95	<1.70	0.99	1.94	15	F3-3
F40T8	3	120	109.0	0.91	0.99	<1.70	0.90	0.83	10	F3-3
		277	108.0	0.39	0.98	<1.70	0.89	0.82	10	F3-3
PLL 25W	4	120	101.0	0.85	0.99	<1.70	0.89	0.88	10	P4-1
		277	100.0	0.37	0.98	<1.70	0.89	0.89	10	P4-1
	3	120	82.0	0.68	0.99	<1.70	0.95	1.16	10	P4-1
		277	82.0	0.30	0.98	<1.70	0.96	1.17	10	P4-1
PLL 28W	4	120	117.0	0.98	0.99	<1.70	0.92	0.79	10	P4-1
		277	117.0	0.43	0.98	<1.70	0.93	0.79	10	P4-1
	3	120	97.0	0.81	0.99	<1.70	1.00	1.03	10	P4-1
		277	97.0	0.36	0.98	<1.70	1.01	1.04	10	P4-1
DT40 (PLL 40W)	3	120	100.0	0.84	0.99	<1.70	0.75	0.73	10	P4-1
		277	100.0	0.37	0.98	<1.70	0.75	0.74	10	P4-1

COMPACT FLUORESCENT FLUORESCENT METAL HALIDE LED INCANDESCENT HALOGEN HIGH PRESSURE SODIUM BALLAST

W. Va. Electric
SUPPLY COMPANY



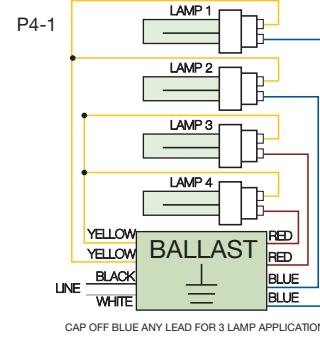
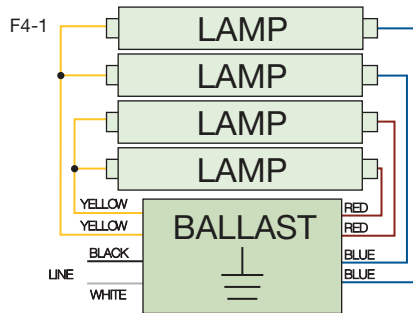
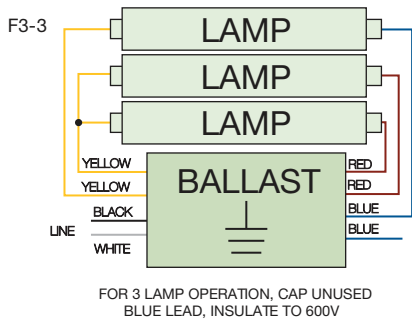
ORDERING INFORMATION

STATE.CONTRACTS@WVAELECTRIC.COM
TOLL FREE - 833-501-4739
DIRECT - 304-399-4567
FAX - 304-523-5337



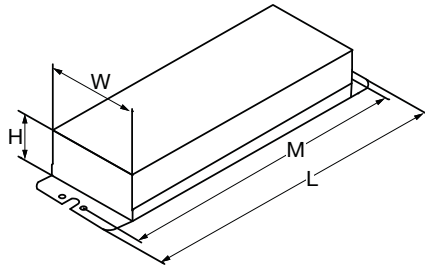
COMPACT FLUORESCENT FLUORESCENT METAL HALIDE LED INCANDESCENT HALOGEN HIGH PRESSURE SODIUM BALLAST

WIRING DIAGRAMS



Instant Start T8 ballasts require the use of shunted lampholders/sockets.

CASE STYLE/DIMENSIONS



CASE DIMENSIONS

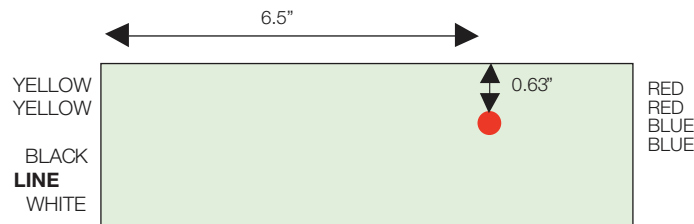
LENGTH: 9.50"
WIDTH: 1.38"
HEIGHT: 1.18"
MOUNTING: 8.90"
UNIT WEIGHT: 1.21 lbs.

STANDARD LEAD LENGTHS*

BLACK: 25.00"
WHITE: 25.00"
BLUE: 31.00" X 31.00"
RED: 31.00" X 31.00"
YELLOW: 45.00" X 45.00"

*Consult EIKO for special lead length requirements.

HOT SPOT LOCATION



ORDERING INFORMATION



Product Number: 51843

Order Abbreviation: QTP2X26/32/42CF/UNV DM

General Description: Universal voltage programmed rapid start normal ballast factor electronic ballast in metal enclosure dual mount without leads for two 26W, 32W, or 42W CFL lamps.



Product Information

Abbrev. With Packaging Info.	QTP2X263242CFUNVDM 20/CS 1/SKU
Ballast Factor	1
Ballast Height H (in)	1.3500
Ballast Length L (in)	4.9500
Ballast Width W (in)	2.9300
Circuit Type	SERIES
Family Brand Name	QUICKTRONIC Professional
Input Current (Amps)	0.00
Nominal Voltage (V)	120-277V
Number of Lamps	2
Power Factor	>0.98
Primary Lamp Type	26W DD/E,T/E
Sound Rating	A
Starting Method	PROGRAMMED RAPID START
Starting Temperature - Fahrenheit	-5
Starting Temperature - Celsius	-20
Total Harmonic Distortion (THD)	<10%
Wiring Method	PLUG-IN CONNECTORS
Language Strategy	2

Footnotes

- 70C Max Case Temperature
- 75C Max Case Temperature
- UL Listed Class P, Type 1 Outdoor
- Ground ballast case
- Install in accordance with National Electric Codes
- Complies with FCC 47 CFR Part 18, Non-Consumer
- Class A Sound Rating.
- Input Frequency: 50/60Hz.
- Remote Mounting up to 19 feet (keep red wires short for 1&2 lamp).
- Minimum Starting Temperature: -4F/-20C.
- Remote Mounting up to 19 feet (keep red wires short for 1&2 lamp models).
- ANSI C62.41 cat. B3 Transient Protection.
- Remote mounting - Typically 6ft with suitable ground plane, but varies by model and application. Contact ECS Application Engineering for information on longer applications.

W. Va. Electric
SUPPLY COMPANY



ORDERING INFORMATION

STATE.CONTRACTS@WVAELECTRIC.COM
TOLL FREE - 833-501-4739
DIRECT - 304-399-4567
FAX - 304-523-5337



BALLAST PRICE LIST

Product Number: 47634

Order Abbreviation: LU250/SUPER5-KIT

General Description: 120/208/240/277/480V 5-tap magnetic core and coil ballast for 250W high pressure sodium lamp



COMPACT FLUORESCENT FLUORESCENT METAL HALIDE LED INCANDESCENT HALOGEN HIGH PRESSURE SODIUM BALLAST

Product Information

Abbrev. With Packaging Info.	LU250SUPER5KIT 1/CS 1/SKU
ANSI Code	S50
Circuit Type	CWA
Nominal Voltage (V)	120/208/240/277/480V
Number of Lamps	1
Open Circuit Voltage (V)	190
Power Factor	>0.9
Primary Lamp Type	LU250
Sound Rating	N
Starting Method	PULSE IGNITOR
Starting Temperature - Fahrenheit	-40°F
Starting Temperature - Celsius	-40°C
Total Harmonic Distortion (THD)	<20%
Wiring Method	LEADS



Footnotes

- Product is a kit containing the core & coil, capacitor, ingitor (where required), brackets and mounting hardware
- Install in accordance with National Electric Codes
- High Voltage Pulse Present on Open Circuit
- Ground Ballast Core and Metallic Case of Capacitor and Ignitor
- Minimum Starting Temperature: -40F/-40C.
- Product contains installation instructions



ORDERING INFORMATION

STATE.CONTRACTS@WVAELECTRIC.COM
 TOLL FREE - 833-501-4739
 DIRECT - 304-399-4567
 FAX - 304-523-5337



Product Number: 47659

Order Abbreviation: LU1000/SUPER5-KIT

General Description: 120/208/240/277/480V 5-tap magnetic core and coil ballast for 1000W high pressure sodium lamp

BALLAST PRICE LIST



COMPACT FLUORESCENT FLUORESCENT METAL HALIDE LED INCANDESCENT HALOGEN HIGH PRESSURE SODIUM BALLAST

Product Information

Abbrev. With Packaging Info.	LU1000SUPER5KIT 1/CS 1/SKU
ANSI Code	S52
Circuit Type	CWA
Nominal Voltage (V)	120/208/240/277/480V
Number of Lamps	1
Open Circuit Voltage (V)	440
Power Factor	>0.9
Primary Lamp Type	LU1000
Sound Rating	N
Starting Method	PULSE IGNITOR
Starting Temperature - Fahrenheit	-40°F
Starting Temperature - Celsius	-40°C
Total Harmonic Distortion (THD)	<20%
Wiring Method	LEADS
Total Maximum Wattage	1100



Footnotes

- Product is a kit containing the core & coil, capacitor, ignitor (where required), brackets and mounting hardware
- Install in accordance with National Electric Codes
- High Voltage Pulse Present on Open Circuit
- Ground Ballast Core and Metallic Case of Capacitor and Ignitor
- Minimum Starting Temperature: -40F/-40C.
- Product contains installation instructions



ORDERING INFORMATION

STATE.CONTRACTS@WVAELECTRIC.COM
 TOLL FREE - 833-501-4739
 DIRECT - 304-399-4567
 FAX - 304-523-5337

Direct: (304) 399-4567
Toll-Free: (833) 501-4739
Fax: (304) 523-5337

W. Va. Electric
SUPPLY COMPANY

Item#	Manufacturer	Cat#	Retail Price	Your Price
216754	Eiko Global	100A/RS/TF/130V	\$ 1.29	\$ 0.97
224899	Eiko Global	10C7DC/120V	\$ 0.23	\$ 0.17
224760	Eiko Global	ESP	\$ 6.76	\$ 5.07
210800	Eiko Global	15T6C-145V	\$ 0.50	\$ 0.37
217158	Eiko Global	15T7C-130V	\$ 0.50	\$ 0.37
210109	Eiko Global	15T7N-130V	\$ 0.50	\$ 0.37
221057	Eiko Global	20T6-1/2/F-130V	\$ 1.00	\$ 0.75
216197	Eiko Global	20T6-1/2N-130V	\$ 1.00	\$ 0.75
224607	Eiko Global	25T8/DC-130V	\$ 0.81	\$ 0.61
230779	Eiko Global	25T8C-120V	\$ 0.68	\$ 0.51
210108	Eiko Global	25T8N-130V	\$ 0.65	\$ 0.49
213516	Eiko Global	30R20/FL-130V	\$ 1.37	\$ 1.03
210732	Eiko Global	40A15-130V	\$ 0.59	\$ 0.44
210757	Eiko Global	40S11N	\$ 1.44	\$ 1.08
211048	Eiko Global	40T10-130V	\$ 0.75	\$ 0.56
216167	Eiko Global	40T6-1/2N-130V	\$ 1.00	\$ 0.75
210733	Eiko Global	45R20/FL-130V	\$ 1.29	\$ 0.97
212690	Eiko Global	4C7/130V	\$ 0.54	\$ 0.40
212711	Eiko Global	6S6/130V	\$ 0.43	\$ 0.32
240362	Eiko Global	755	\$ 0.52	\$ 0.39
212689	Eiko Global	7C7/130V	\$ 0.54	\$ 0.40
223942	Eiko Global	EVR	\$ 9.81	\$ 7.36
220835	Eiko Global	EXN-FG-GU10-130V	\$ 1.88	\$ 1.41
221324	Eiko Global	F13T5/CW	\$ 2.01	\$ 1.51
229955	Eiko Global	F13T8/CW	\$ 1.72	\$ 1.29
217633	Eiko Global	F14T5/841	\$ 2.69	\$ 2.02
221851	Eiko Global	F14T8/CW	\$ 2.42	\$ 1.81
214623	Eiko Global	F14T8/CW	\$ 1.69	\$ 1.27
210066	Eiko Global	F25T8/841K	\$ 2.61	\$ 1.61
221810	Eiko Global	F4T5/CW	\$ 2.42	\$ 1.81
209180	Eiko Global	F54T5/HO/841	\$ 3.36	\$ 2.52
209743	Eiko Global	F54T5HO/830	\$ 3.36	\$ 2.52
213655	Eiko Global	F6T5/CW	\$ 2.42	\$ 1.81
216296	Eiko Global	F8T5/CW	\$ 0.84	\$ 0.63
220526	Eiko Global	FC12T9/CW	\$ 10.00	\$ 7.50
222838	Eiko Global	FC8T9/CW	\$ 3.71	\$ 2.78
210085	Eiko Global	FML27/65	\$ 5.73	\$ 4.30
242098	Eiko Global	GLASS	\$ 12.85	\$ 9.64
210807	Eiko Global	H33GL-400/DX	\$ 8.91	\$ 6.68
210805	Eiko Global	H37KC-250/DX	\$ 7.40	\$ 5.55
215138	Eiko Global	H38MP-100DX	\$ 19.17	\$ 14.38

Direct: (304) 399-4567
Toll-Free: (833) 501-4739
Fax: (304) 523-5337

W. Va. Electric
SUPPLY COMPANY

Item#	Manufacturer	Cat#	Retail Price	Your Price
202583	Eiko Global	H39KC-175/DX	\$ 6.00	\$ 4.50
220806	Eiko Global	JCD130V40WG9	\$ 1.65	\$ 1.24
237781	Eiko Global	LED-120-MB-G	\$ 5.21	\$ 3.91
212654	Eiko Global	LED-120-MB-W	\$ 5.21	\$ 3.91
231907	Eiko Global	LED-DK4-15W/827K-DIM	\$ 16.07	\$ 12.05
234272	Eiko Global	LED-DK6-17W830-DIM-C	\$ 19.30	\$ 14.47
236706	Eiko Global	LED100WPT40KMOG-G6	\$ 186.89	\$ 140.17
223236	Eiko Global	LED10WA19/300/827K-I	\$ 7.22	\$ 5.42
232739	Eiko Global	LED10WA19/300/830K/	\$ 7.22	\$ 5.42
238966	Eiko Global	LED11WA19/OMN/827K	\$ 6.90	\$ 5.18
238967	Eiko Global	LED11WA19/OMN/830K	\$ 15.42	\$ 11.57
238968	Eiko Global	LED11WA19/OMN/840K	\$ 6.90	\$ 5.18
231906	Eiko Global	LED11WBR30/827K-DIM	\$ 11.00	\$ 8.25
241056	Eiko Global	LED120WPT50MOG-G6	\$ 175.25	\$ 131.44
236023	Eiko Global	LED12WT8F36840K-G7D	\$ 11.31	\$ 8.48
242319	Eiko Global	LED15WA21/OMN/827K	\$ 21.85	\$ 16.39
238973	Eiko Global	LED15WA21/OMN/840K	\$ 10.60	\$ 7.95
238208	Eiko Global	LED15WA21/OMN/850K	\$ 10.60	\$ 7.95
238270	Eiko Global	LED15WT8F/48/840K-G7	\$ 11.56	\$ 8.67
241675	Eiko Global	LED15WPAR38/FL/840-I	\$ 12.85	\$ 9.64
241633	Eiko Global	LED17WT8/48/840/DBL-	\$ 12.06	\$ 9.05
239514	Eiko Global	LED17WT8/P/48/850-G7	\$ 13.25	\$ 9.94
235311	Eiko Global	LED18T8F/48/850-G6DR	\$ 9.32	\$ 6.99
235762	Eiko Global	LED18T8F/U6/840-G5DF	\$ 21.71	\$ 16.28
238479	Eiko Global	LED18WT8F/48/840-G7I	\$ 9.81	\$ 7.36
222616	Eiko Global	LED18WT8F/48/840/G5I	\$ 19.72	\$ 14.79
236425	Eiko Global	LED18WT8F/48/850-G5I	\$ 13.25	\$ 9.94
240447	Eiko Global	LED18WT8F/48/850-G7I	\$ 9.81	\$ 7.36
237374	Eiko Global	LED19WPT40KMED-G7	\$ 52.26	\$ 39.19
237396	Eiko Global	LED19WPT50KMED-G7	\$ 52.26	\$ 39.19
232154	Eiko Global	LED20WPAR38-FL/840K-	\$ 20.57	\$ 9.49
238700	Eiko Global	LED20WPAR38/FL/830K	\$ 19.28	\$ 14.46
237888	Eiko Global	LED24WPT50KMED-G7	\$ 61.72	\$ 46.29
240295	Eiko Global	LED27WPT40KMOG-G7	\$ 66.47	\$ 49.86
234665	Eiko Global	LED27WPT50KMED-G5	\$ 77.16	\$ 57.87
241802	Eiko Global	LED27WPT50KMOG-G7	\$ 72.35	\$ 54.26
232434	Eiko Global	LED36WPT40KMOG-G5	\$ 86.82	\$ 65.12
239964	Eiko Global	LED36WPT50KMOG-G7	\$ 86.82	\$ 65.12
240839	Eiko Global	LED43WT8/96/840-DBL-	\$ 28.93	\$ 21.70
240740	Eiko Global	LED43WT8/96/850-DBL-	\$ 28.93	\$ 21.70
238884	Eiko Global	LED45WPT40KMOG-G7	\$ 96.45	\$ 72.34

Direct: (304) 399-4567
Toll-Free: (833) 501-4739
Fax: (304) 523-5337

W. Va. Electric
SUPPLY COMPANY

Item#	Manufacturer	Cat#	Retail Price	Your Price
238071	Eiko Global	LED45WPT50KMOG-G7	\$ 96.45	\$ 72.34
238397	Eiko Global	LED4WB11E12/FIL/827K	\$ 6.16	\$ 4.62
229099	Eiko Global	LED54WPT40KMED-G5	\$ 91.59	\$ 68.69
242687	Eiko Global	LED54WPT40KMED-G7	\$ 88.62	\$ 66.46
229448	Eiko Global	LED54WPT40KMOG-G5	\$ 99.68	\$ 74.76
237262	Eiko Global	LED54WPT40KMOG-G7	\$ 96.45	\$ 72.34
238994	Eiko Global	LED54WPT50KMOG-G7	\$ 96.45	\$ 72.34
221815	Eiko Global	LED5WB11/E12/830-DIM	\$ 7.71	\$ 5.78
225128	Eiko Global	LED5WB11/E26/830-DIM	\$ 7.72	\$ 5.79
223462	Eiko Global	LED6WG25/827K-DIM-G	\$ 6.42	\$ 4.82
229965	Eiko Global	LED7WA19/240/827K-D	\$ 4.17	\$ 3.13
232798	Eiko Global	LED7WBR20/827K/DIM-	\$ 7.06	\$ 5.30
239007	Eiko Global	LED7WBR20/830K/DIM-	\$ 7.06	\$ 5.30
233144	Eiko Global	LED7WBR20/840K-DIM-	\$ 11.24	\$ 8.43
237531	Eiko Global	LED9WA19/240/840K-D	\$ 7.34	\$ 5.50
241569	Eiko Global	LED9WA19/ADV/850-DI	\$ 5.62	\$ 4.21
238683	Eiko Global	LED9WA19/ADV/850K-C	\$ 7.34	\$ 5.50
238969	Eiko Global	LED9WA19/OMN/827K-	\$ 7.71	\$ 5.78
238971	Eiko Global	LED9WA19/OMN/830K-	\$ 7.71	\$ 5.78
238972	Eiko Global	LED9WA19/OMN/840K-	\$ 7.71	\$ 5.78
238347	Eiko Global	LED9WT8/D/24/840-G7I	\$ 11.56	\$ 8.67
213450	Eiko Global	LEDP-11WR30/827-DIM	\$ 27.32	\$ 20.49
213624	Eiko Global	LEDP-13WPAR30/FL/827	\$ 35.36	\$ 26.52
212359	Eiko Global	LEDP-8WR20/827-DIM3	\$ 12.85	\$ 9.64
241639	Eiko Global	LLH-2C-50K-U	\$ 205.78	\$ 154.33
241504	Eiko Global	LLH-2C-U	\$ 136.66	\$ 102.50
240625	Eiko Global	LLH-3C-50K-U	\$ 329.59	\$ 247.19
229681	Eiko Global	LU1000	\$ 32.32	\$ 20.32
222676	Eiko Global	LU150/55/MED	\$ 7.64	\$ 4.88
202582	Eiko Global	LU250	\$ 8.03	\$ 6.02
202577	Eiko Global	LU400	\$ 8.03	\$ 5.33
222677	Eiko Global	LU50/MED	\$ 9.41	\$ 7.06
211047	Eiko Global	LU70	\$ 9.88	\$ 4.48
213062	Eiko Global	LU70MED	\$ 9.41	\$ 7.06
213720	Eiko Global	MH1000/U	\$ 25.73	\$ 16.51
223522	Eiko Global	MH1000/U/BT37	\$ 30.66	\$ 16.47
218289	Eiko Global	MH1500/U	\$ 27.32	\$ 20.49
202578	Eiko Global	MH175/U	\$ 12.64	\$ 6.53
202580	Eiko Global	MH175/U/MED	\$ 9.63	\$ 6.53
202581	Eiko Global	MH250/U	\$ 11.24	\$ 7.02
216675	Eiko Global	MH400/BU/PS	\$ 12.85	\$ 9.64

Direct: (304) 399-4567
Toll-Free: (833) 501-4739
Fax: (304) 523-5337

W. Va. Electric
SUPPLY COMPANY

Item#	Manufacturer	Cat#	Retail Price	Your Price
202576	Eiko Global	MH400/U	\$ 9.51	\$ 7.13
220563	Eiko Global	MH400/U/ED28	\$ 15.02	\$ 11.27
222479	Eiko Global	MP100/U/MED/4K	\$ 16.85	\$ 12.64
227491	Eiko Global	MP400/BU/ED28/P	\$ 26.66	\$ 20.00
218897	Eiko Global	MP400/BU/P	\$ 13.65	\$ 10.24
220926	Eiko Global	MP50/U/MED/3K	\$ 16.82	\$ 12.62
221058	Eiko Global	MP70/U/MED/4K	\$ 16.82	\$ 12.62
202566	Eiko Global	PAR30LN/15/30K	\$ 7.24	\$ 5.43
202567	Eiko Global	PAR38/23/27K	\$ 8.93	\$ 6.70
217495	Eiko Global	Q100/MC-120V	\$ 1.61	\$ 1.21
209143	Eiko Global	Q1500T3/CL	\$ 2.42	\$ 1.81
218087	Eiko Global	Q150T3/CL/120V	\$ 1.12	\$ 0.84
202586	Eiko Global	Q300T3/CL	\$ 1.05	\$ 0.79
210515	Eiko Global	Q500T3/CL	\$ 1.05	\$ 0.79
216152	Eiko Global	Q50CL/MC	\$ 1.61	\$ 1.21
238354	Eiko Global	SLM22-3C-40K-U	\$ 56.27	\$ 42.21
238291	Eiko Global	SLM24-5C-40K-U	\$ 88.43	\$ 66.32
200619	Eiko Global	SP105-50-MED	\$ 30.18	\$ 22.64
202561	Eiko Global	SP13/27K	\$ 2.27	\$ 1.70
209829	Eiko Global	SP13/41-GU24	\$ 2.50	\$ 1.88
202594	Eiko Global	SP13/41K	\$ 2.34	\$ 1.42
210068	Eiko Global	SP13/50K	\$ 2.34	\$ 1.75
202568	Eiko Global	SP14/R20/27K	\$ 5.63	\$ 4.22
202565	Eiko Global	SP15/R30/27K	\$ 5.63	\$ 4.22
211131	Eiko Global	SP15/R30/65K	\$ 6.42	\$ 4.82
202562	Eiko Global	SP19/27K	\$ 3.14	\$ 2.36
202595	Eiko Global	SP19/41K	\$ 3.14	\$ 2.36
210069	Eiko Global	SP19/50K	\$ 3.14	\$ 2.36
202563	Eiko Global	SP23/27K	\$ 3.14	\$ 1.93
202596	Eiko Global	SP23/41K	\$ 3.14	\$ 1.93
211259	Eiko Global	SP23/50K	\$ 3.30	\$ 2.48
202564	Eiko Global	SP27/27K	\$ 3.62	\$ 2.72
233991	Eiko Global	WPC-1C-120	\$ 72.35	\$ 54.26
242891	Eiko Global	MH70/U/MED	\$ 9.36	\$ 7.02
242892	Eiko Global	MH100/U/MED	\$ 7.87	\$ 5.90
242905	Eiko Global	TT32/35	\$ 2.50	\$ 1.75
242915	Eiko Global	F17T8/841K	\$ 1.81	\$ 1.23
242919	Eiko Global	F32T8/841K	\$ 1.72	\$ 1.17
242923	Eiko Global	PM-2X32T8-UNV-IS	\$ 12.06	\$ 7.25
242924	Eiko Global	PM-3X32T8-UNV-IS	\$ 13.67	\$ 8.00
242925	Eiko Global	PM-4X32T8-UNV-IS	\$ 15.44	\$ 8.77

Direct: (304) 399-4567
Toll-Free: (833) 501-4739
Fax: (304) 523-5337

W. Va. Electric
SUPPLY COMPANY

Item#	Manufacturer	Cat#	Retail Price	Your Price
243538	Eiko Global	LED27WPT50KMED-G7	\$ 77.16	\$ 57.87
243545	Eiko Global	LED12WA19/ADV/850K-	\$ 12.34	\$ 9.25
233762	Eiko Global	LED18T8F/48-840-G6DR	\$ 9.32	\$ 6.99
243681	Eiko Global	DTD-2C-50K-U	\$ 109.31	\$ 81.99
243936	Eiko Global	LED110WAL40KMOG-G7	\$ 277.80	\$ 208.35
243938	Eiko Global	LED110WAL50KMOG-G7	\$ 277.80	\$ 208.35
243939	Eiko Global	LED80WAL40KMOG-G7	\$ 237.93	\$ 178.45
243940	Eiko Global	LED80WAL50KMOG-G7	\$ 237.93	\$ 178.45
243941	Eiko Global	LED115WB40KMOG-G7	\$ 243.09	\$ 182.32
243942	Eiko Global	LED115WB50KMOG-G7	\$ 217.05	\$ 162.79
244805	Eiko Global	BAY-4C-50K-U	\$ 233.12	\$ 174.84
244953	Eiko Global	LLW-4CP-40K-U	\$ 77.17	\$ 57.88
245089	Eiko Global	LLW-5CP-40K-U	\$ 80.39	\$ 60.29
245168	Eiko Global	WPT1-88/850-BZ-U	\$ 173.64	\$ 130.23
245169	Eiko Global	PCB1	\$ 13.81	\$ 10.36
245502	Eiko Global	LED6WA19/OMN/827K-	\$ 7.71	\$ 5.78
245554	Eiko Global	TMP-5C-50K-U	\$ 218.64	\$ 163.98
245556	Eiko Global	TMP-4C-50K-U	\$ 180.05	\$ 135.04
245557	Eiko Global	TMP-3C-50K-U	\$ 128.61	\$ 96.46
245606	Eiko Global	PM-2X54T5-UNV-PS	\$ 30.54	\$ 22.90
245607	Eiko Global	PM-4X54T5-UNV-PS	\$ 48.22	\$ 27.30
245612	Eiko Global	LLH-1C-50K-U	\$ 136.66	\$ 102.50
245663	Eiko Global	WMC-2C-50K-U	\$ 77.16	\$ 57.87
245664	Eiko Global	WMC-3C-50K-U	\$ 90.02	\$ 67.52
245666	Eiko Global	WMG-1C-50K-U	\$ 102.88	\$ 77.16
245667	Eiko Global	WMG-2C-50K-U	\$ 128.61	\$ 96.46
245668	Eiko Global	WMG-4C-50K-U	\$ 180.05	\$ 135.04
245669	Eiko Global	WMG-5C-50K-U	\$ 295.81	\$ 221.86
245820	Eiko Global	BAY-3C-50K-V	\$ 281.35	\$ 211.02
245836	Eiko Global	DOME	\$ 33.43	\$ 25.07
245955	Eiko Global	LED7WBR20/830-DIM-G	\$ 7.06	\$ 5.30
245999	Eiko Global	SLM24-6CB-40K-U	\$ 89.96	\$ 67.47
246013	Eiko Global	LED-DK6-11W940-DIM-C	\$ 10.44	\$ 7.83
246086	Eiko Global	LED9WA19/OMN/830-D	\$ 2.69	\$ 2.02
246220	Eiko Global	LED11.5WT8/48/850-G7	\$ 10.00	\$ 7.50
246877	Eiko Global	LED12WT8/48/850-G8D	\$ 9.63	\$ 7.23
246888	Eiko Global	LED12.5WT5HE/46/850-	\$ 16.71	\$ 12.53
247369	Eiko Global	LED25WT5HO/46/850/C	\$ 17.99	\$ 13.50
247460	Eiko Global	LED15WT8F/U6/840-G7	\$ 21.85	\$ 16.39
247587	Eiko Global	SLM22	\$ 6.03	\$ 4.53
247694	Eiko Global	SP23/41-GU24	\$ 4.65	\$ 3.49

Direct: (304) 399-4567
Toll-Free: (833) 501-4739
Fax: (304) 523-5337

W. Va. Electric
SUPPLY COMPANY

Item#	Manufacturer	Cat#	Retail Price	Your Price
247722	Eiko Global	25T10-130V	\$ 0.81	\$ 0.61
247762	Eiko Global	LED15WA19/OMN/840-	\$ 5.78	\$ 4.33
247814	Eiko Global	LED11WA19/OMN/840-	\$ 3.45	\$ 2.58
247884	Eiko Global	LED9WA19/OMN/827-D	\$ 2.69	\$ 2.02
247937	Eiko Global	FHSCP-UNV-7.8WL	\$ 125.73	\$ 94.30
248179	Eiko Global	LED7WPAR20/FL/827K-I	\$ 5.78	\$ 4.33
248249	Eiko Global	LED14WT8/P/48/840-G8	\$ 12.85	\$ 9.64
248257	Eiko Global	LED36WPT40KMOG-G7	\$ 86.82	\$ 65.12
226209	Eiko Global	LED36WPT40KMED-G5	\$ 86.82	\$ 65.12
248400	Eiko Global	LEDAFL-3C-W-U	\$ 287.79	\$ 215.84
248406	Eiko Global	SLM24-4CB-40K-U	\$ 88.43	\$ 66.32
248433	Eiko Global	LED15WA19/OMN/850-	\$ 5.78	\$ 4.33
248482	Eiko Global	SP13/65K	\$ 2.50	\$ 1.43
248483	Eiko Global	F15T8/CW	\$ 1.39	\$ 0.97
248485	Eiko Global	LED7WMR16/FL/827-DII	\$ 6.42	\$ 2.58
248486	Eiko Global	LED15WA19/OMN/827-	\$ 5.78	\$ 3.16
248487	Eiko Global	LED11WA19/OMN/827-	\$ 3.85	\$ 2.33
248488	Eiko Global	LED9.5WA19/OMN/827-	\$ 2.43	\$ 1.39
248489	Eiko Global	6S6/145V	\$ 0.45	\$ 0.30
248490	Eiko Global	Q250CL/DC-120V	\$ 2.14	\$ 1.40
248491	Eiko Global	Q250CL/DC-130V	\$ 2.14	\$ 1.40
20836	Sylvania LEDvance	100A/90/SSXL-120V	\$ 5.04	\$ 3.78
23329	Sylvania LEDvance	100A/90/SSXL-130V	\$ 1.36	\$ 1.02
12294	Sylvania LEDvance	100A/RS/2/RP-130V	\$ 2.24	\$ 1.68
7264	Sylvania LEDvance	100A21/RS/SL/RP-120V	\$ 5.61	\$ 4.21
3336	Sylvania LEDvance	100A21/SL-120V	\$ 14.06	\$ 10.55
23339	Sylvania LEDvance	100BT15/HAL/W/BL	\$ 19.32	\$ 14.49
6915	Sylvania LEDvance	100PAR38/FL/R/RP-120	\$ 35.73	\$ 26.79
8965	Sylvania LEDvance	100Q/CL/MC(ESN)-120V	\$ 16.61	\$ 12.46
43539	Sylvania LEDvance	100T3Q/S/CL-120V	\$ 3.93	\$ 2.95
141	Sylvania LEDvance	10S6230V	\$ 9.80	\$ 7.35
9107	Sylvania LEDvance	1156	\$ 2.07	\$ 1.55
11449	Sylvania LEDvance	11S14-130V	\$ 7.72	\$ 5.79
397	Sylvania LEDvance	120MB	\$ 1.13	\$ 0.85
15589	Sylvania LEDvance	135A21/TS/8M/SS-120-	\$ 28.34	\$ 21.26
12328	Sylvania LEDvance	1500T3Q/CL-240V	\$ 25.11	\$ 18.83
15291	Sylvania LEDvance	150A21/99/XL	\$ 8.61	\$ 6.46
11549	Sylvania LEDvance	150A21/CL-130V	\$ 8.95	\$ 6.71
840	Sylvania LEDvance	150A23-120V	\$ 7.95	\$ 5.97
2408	Sylvania LEDvance	150G40/W/RP	\$ 21.40	\$ 16.05
14989	Sylvania LEDvance	150T3Q/S/CL/RP-120V	\$ 29.52	\$ 22.14

Direct: (304) 399-4567
Toll-Free: (833) 501-4739
Fax: (304) 523-5337

W. Va. Electric
SUPPLY COMPANY

Item#	Manufacturer	Cat#	Retail Price	Your Price
4016	Sylvania LEDvance	15A15/CL-120V	\$ 2.69	\$ 2.02
9392	Sylvania LEDvance	15A15/W/RP-120V	\$ 2.69	\$ 2.02
7707	Sylvania LEDvance	15B10C/BL/2PK-120V	\$ 3.79	\$ 2.84
11304	Sylvania LEDvance	15G16.5C-120V	\$ 1.57	\$ 1.18
2539	Sylvania LEDvance	15T6-120V	\$ 10.35	\$ 7.77
5253	Sylvania LEDvance	15T7C-120V	\$ 8.31	\$ 6.23
18629	Sylvania LEDvance	161	\$ 1.45	\$ 1.09
17417	Sylvania LEDvance	175PAR38/HEAT/RED-12	\$ 37.29	\$ 27.97
13759	Sylvania LEDvance	1816	\$ 1.60	\$ 1.20
734	Sylvania LEDvance	1819	\$ 1.68	\$ 1.26
1784	Sylvania LEDvance	1820	\$ 0.38	\$ 0.28
3680	Sylvania LEDvance	200A21-130V	\$ 3.84	\$ 2.88
14338	Sylvania LEDvance	200A23-120V	\$ 6.96	\$ 5.22
29989	Sylvania LEDvance	200PS/CL/99/XL-130V	\$ 21.32	\$ 15.99
15456	Sylvania LEDvance	20MR16/FL35/C(BAB)-1	\$ 5.23	\$ 3.92
5706	Sylvania LEDvance	20T3Q/CL-12V	\$ 5.20	\$ 3.90
13633	Sylvania LEDvance	20T6.5/IF-120V	\$ 5.63	\$ 4.22
279	Sylvania LEDvance	20T6.5DC/IF-120V	\$ 6.86	\$ 5.15
10048	Sylvania LEDvance	250K/BR38/FL	\$ 79.77	\$ 59.83
3570	Sylvania LEDvance	250Q/CL/DC(ESS)-120V	\$ 33.40	\$ 25.05
12643	Sylvania LEDvance	250Q/CL/MC(EHT)-120V	\$ 12.94	\$ 9.71
3803	Sylvania LEDvance	250Q/CL/MC-130V	\$ 32.78	\$ 24.58
25127	Sylvania LEDvance	250Q/MC(ESM)-120V	\$ 91.70	\$ 68.78
9521	Sylvania LEDvance	259	\$ 1.00	\$ 0.75
3432	Sylvania LEDvance	25B10/BL/2PK-120V	\$ 3.79	\$ 2.84
5957	Sylvania LEDvance	25B10C/BL/2PK-120V	\$ 1.13	\$ 0.40
41777	Sylvania LEDvance	25G16.5/BL-120V	\$ 1.75	\$ 1.32
7231	Sylvania LEDvance	25G16.5C-120V	\$ 1.68	\$ 1.26
1957	Sylvania LEDvance	25G16.5C/4M-120V	\$ 5.21	\$ 3.91
18194	Sylvania LEDvance	25G16.5C/W/BL-120V	\$ 2.35	\$ 1.76
8027	Sylvania LEDvance	25G25-120V	\$ 1.85	\$ 1.39
5918	Sylvania LEDvance	25G25/W-120V	\$ 2.43	\$ 1.82
6564	Sylvania LEDvance	25R14/RP-120V	\$ 8.06	\$ 6.05
42015	Sylvania LEDvance	25R14N/RP-120V	\$ 8.06	\$ 6.05
20709	Sylvania LEDvance	25T10/CL/BL/6PK-120V	\$ 10.39	\$ 7.79
5534	Sylvania LEDvance	25T6.5-120V	\$ 5.41	\$ 4.06
13786	Sylvania LEDvance	25T6.5/IF-130V	\$ 7.76	\$ 5.82
733	Sylvania LEDvance	25T8DC-120V	\$ 9.71	\$ 7.28
5192	Sylvania LEDvance	25T8DC-130V	\$ 9.97	\$ 7.47
2563	Sylvania LEDvance	300M/CL-120V	\$ 7.01	\$ 5.26
10367	Sylvania LEDvance	300M/CL-130V	\$ 16.64	\$ 12.48

Direct: (304) 399-4567
Toll-Free: (833) 501-4739
Fax: (304) 523-5337

W. Va. Electric
SUPPLY COMPANY

Item#	Manufacturer	Cat#	Retail Price	Your Price
43450	Sylvania LEDvance	35MR16/FL35/C(FMW)1	\$ 5.24	\$ 3.93
15695	Sylvania LEDvance	36PAR36/HAL/WFL30-1:	\$ 40.17	\$ 30.13
8938	Sylvania LEDvance	375R40/1-120V	\$ 56.37	\$ 42.28
200575	Sylvania LEDvance	39PAR20/HAL/FL30-120	\$ 7.52	\$ 5.64
200576	Sylvania LEDvance	39PAR20/HAL/FL30-130	\$ 8.02	\$ 6.01
223861	Sylvania LEDvance	39PAR20/HAL/FL30/DL-	\$ 9.23	\$ 6.92
200828	Sylvania LEDvance	39PAR20/HAL/SP10-120	\$ 8.09	\$ 6.07
200182	Sylvania LEDvance	39PAR30/HAL/WFL50-1:	\$ 8.09	\$ 6.07
197950	Sylvania LEDvance	39PAR30LN/HAL/NFL25-	\$ 7.97	\$ 5.98
209414	Sylvania LEDvance	39PAR30LN/HAL/SP10-1	\$ 18.76	\$ 14.07
198202	Sylvania LEDvance	39PAR30LN/HAL/WFL50	\$ 8.38	\$ 6.29
12782	Sylvania LEDvance	3S6-130V	\$ 12.51	\$ 9.38
9378	Sylvania LEDvance	40A/CL-130V	\$ 0.71	\$ 0.53
15693	Sylvania LEDvance	40A/W/4/RP-120V	\$ 3.23	\$ 2.43
10660	Sylvania LEDvance	40A15-120V	\$ 1.50	\$ 1.12
1603	Sylvania LEDvance	40A15/2PK/RP-120V	\$ 3.45	\$ 0.45
4132	Sylvania LEDvance	40A15/CL/BL-120V	\$ 2.47	\$ 1.85
41761	Sylvania LEDvance	40A15/CL/DL/APPL/2/1	\$ 7.66	\$ 5.75
9106	Sylvania LEDvance	40A15/SL-120V	\$ 8.09	\$ 6.07
575	Sylvania LEDvance	40B10/BL/2PK-120V	\$ 1.54	\$ 1.15
8903	Sylvania LEDvance	40B10/F/BL/2PK-120V	\$ 1.54	\$ 1.15
2138	Sylvania LEDvance	40B10C/BL/2PK-120V	\$ 1.04	\$ 0.40
305	Sylvania LEDvance	40B10C/DL/BL/4PK-120	\$ 4.08	\$ 3.06
14230	Sylvania LEDvance	40F/CL-120V	\$ 4.18	\$ 3.13
18506	Sylvania LEDvance	40F/IC/BL/2PK-120V	\$ 5.63	\$ 4.22
41977	Sylvania LEDvance	40G25-120V	\$ 2.67	\$ 2.01
9027	Sylvania LEDvance	40G25/RP-120V	\$ 3.34	\$ 2.51
11006	Sylvania LEDvance	40G40/W/RP-120V	\$ 10.72	\$ 8.04
9079	Sylvania LEDvance	40R14/RP-120V	\$ 6.04	\$ 4.53
12080	Sylvania LEDvance	40S11N/BL-120V	\$ 12.44	\$ 9.33
42186	Sylvania LEDvance	43A/HAL/SSW/2-120V	\$ 3.36	\$ 2.52
237692	Sylvania LEDvance	50/150A21/W/2PK/12-1	\$ 8.58	\$ 6.44
9924	Sylvania LEDvance	50/150A21/W/RP-120V	\$ 8.58	\$ 6.44
7083	Sylvania LEDvance	50/250A21/W/RP-120V	\$ 11.22	\$ 8.42
16320	Sylvania LEDvance	500PAR56Q/HAL/WFL-1	\$ 190.83	\$ 143.12
20285	Sylvania LEDvance	500T3Q/CL(FCL)-120V	\$ 6.56	\$ 4.92
7634	Sylvania LEDvance	500T3Q/CL/RP(FCL)-12	\$ 30.37	\$ 22.78
9398	Sylvania LEDvance	50MR16/FL35/C(EXN)-1	\$ 3.66	\$ 2.74
32899	Sylvania LEDvance	50MR16/T/NFL25/C(EXZ)	\$ 7.65	\$ 5.74
28055	Sylvania LEDvance	50PAR20/HAL/DAY/NFL	\$ 14.26	\$ 10.69
43380	Sylvania LEDvance	50PAR36/HAL/WFL30-1:	\$ 45.00	\$ 33.75

Direct: (304) 399-4567
Toll-Free: (833) 501-4739
Fax: (304) 523-5337

W. Va. Electric
SUPPLY COMPANY

Item#	Manufacturer	Cat#	Retail Price	Your Price
308	Sylvania LEDvance	50T4Q/CL-12V	\$ 5.20	\$ 3.90
3842	Sylvania LEDvance	50T4Q/CL/AX-12V	\$ 20.00	\$ 15.00
9017	Sylvania LEDvance	52A/HAL/F-130V	\$ 7.70	\$ 5.78
9798	Sylvania LEDvance	55	\$ 1.82	\$ 1.37
10696	Sylvania LEDvance	56	\$ 1.68	\$ 1.26
460	Sylvania LEDvance	60A/52/SS-120V	\$ 0.83	\$ 0.62
6034	Sylvania LEDvance	60A/RS/2/RP-130V	\$ 2.31	\$ 1.73
12446	Sylvania LEDvance	60A/RS/SL/RP-120V	\$ 5.50	\$ 4.13
7400	Sylvania LEDvance	60A/Y/RP-120V	\$ 2.10	\$ 1.58
23646	Sylvania LEDvance	60ACL/DL/RP-120V	\$ 5.91	\$ 4.43
9458	Sylvania LEDvance	60B10/BL/2PK-120V	\$ 1.84	\$ 1.38
6235	Sylvania LEDvance	60B10/DL/BL/2PK-120V	\$ 4.08	\$ 3.06
18470	Sylvania LEDvance	60B10/DLF/BL/2PK-120	\$ 4.41	\$ 3.31
5624	Sylvania LEDvance	60B10C/BL/2PK-120V	\$ 1.13	\$ 0.85
2735	Sylvania LEDvance	60G25/DL/RP-120V	\$ 10.67	\$ 8.00
42150	Sylvania LEDvance	60G25/W/RP-120V	\$ 1.89	\$ 1.42
4647	Sylvania LEDvance	60G30/W/RP-120V	\$ 6.79	\$ 5.09
43548	Sylvania LEDvance	60PAR16/HAL/NFL30-12	\$ 11.44	\$ 8.58
202203	Sylvania LEDvance	60PAR30/HAL/S/WFL50-	\$ 9.63	\$ 7.22
209462	Sylvania LEDvance	60PAR30LN/HAL/S/NFL2	\$ 9.63	\$ 7.22
209118	Sylvania LEDvance	60PAR30LN/HAL/S/SP10	\$ 33.08	\$ 24.81
200119	Sylvania LEDvance	60PAR30LN/HAL/S/WFL	\$ 8.24	\$ 6.18
208021	Sylvania LEDvance	60PAR38/HAL/S/SP10-1	\$ 9.63	\$ 7.22
201853	Sylvania LEDvance	64514-120V	\$ 13.39	\$ 10.04
24681	Sylvania LEDvance	65BR/FL-130V	\$ 7.06	\$ 5.29
6629	Sylvania LEDvance	65BR30/FL-130V	\$ 5.46	\$ 4.10
8718	Sylvania LEDvance	65BR30/FL/CVP-130V	\$ 2.07	\$ 1.56
17958	Sylvania LEDvance	65BR30/SP/RP-120V	\$ 4.58	\$ 3.43
21226	Sylvania LEDvance	65PAR38/SP	\$ 26.05	\$ 19.54
14976	Sylvania LEDvance	69A21/TS/8M-130V	\$ 2.53	\$ 1.90
3973	Sylvania LEDvance	6S6/CL-130V	\$ 1.46	\$ 1.10
16146	Sylvania LEDvance	6S6/CL30V	\$ 11.51	\$ 8.64
198176	Sylvania LEDvance	70PAR38/HAL/S/NFL25-	\$ 10.70	\$ 8.03
200121	Sylvania LEDvance	70PAR38/HAL/S/WFL50-	\$ 10.40	\$ 7.80
199914	Sylvania LEDvance	72A/HAL/CL/2-120V	\$ 3.25	\$ 2.44
42187	Sylvania LEDvance	72A/HAL/SSW/2-120V	\$ 3.09	\$ 2.32
16108	Sylvania LEDvance	757	\$ 1.45	\$ 1.09
9949	Sylvania LEDvance	75A/RS/RP/1-130V	\$ 2.30	\$ 1.73
14203	Sylvania LEDvance	75A/W/DLSW/4PK/RP-1	\$ 4.03	\$ 3.02
4097	Sylvania LEDvance	75A21/RS/SL/RP-120V	\$ 5.61	\$ 4.21
11845	Sylvania LEDvance	75PAR30LN/HAL/NSP9-1	\$ 32.02	\$ 24.02

Direct: (304) 399-4567
Toll-Free: (833) 501-4739
Fax: (304) 523-5337

W. Va. Electric
SUPPLY COMPANY

Item#	Manufacturer	Cat#	Retail Price	Your Price
13094	Sylvania LEDvance	75Q/CL/MC/RP-120V	\$ 66.47	\$ 49.86
11610	Sylvania LEDvance	75T4Q/CL/AX-12V	\$ 20.00	\$ 15.00
3466	Sylvania LEDvance	7C7-120V	\$ 3.58	\$ 2.69
1349	Sylvania LEDvance	7C7-130V	\$ 4.21	\$ 3.16
1574	Sylvania LEDvance	7C7/BL/2PK-120V	\$ 3.32	\$ 2.49
197948	Sylvania LEDvance	80PAR38/HAL/S/NFL25-	\$ 16.84	\$ 12.63
7473	Sylvania LEDvance	BTN	\$ 46.23	\$ 34.67
12737	Sylvania LEDvance	CF11EL/MINI/830	\$ 5.56	\$ 4.17
187802	Sylvania LEDvance	CF13DD/827/ECO	\$ 5.77	\$ 4.33
914	Sylvania LEDvance	CF13DD/E/835/ECO	\$ 5.77	\$ 4.33
3991	Sylvania LEDvance	CF13DD/E/841/ECO	\$ 5.77	\$ 4.33
182460	Sylvania LEDvance	CF13DS/827/ECO	\$ 2.62	\$ 1.97
185377	Sylvania LEDvance	CF13DS/835/ECO	\$ 4.45	\$ 3.34
182461	Sylvania LEDvance	CF13DS/841/ECO	\$ 2.62	\$ 1.97
187797	Sylvania LEDvance	CF13DS/850/ECO	\$ 5.11	\$ 3.83
42294	Sylvania LEDvance	CF13DT/E/841/ECO	\$ 28.89	\$ 1.43
30911	Sylvania LEDvance	CF13EL/MICRO/830/ECC	\$ 5.10	\$ 3.83
23420	Sylvania LEDvance	CF13EL/MINI/827/CVP/	\$ 4.51	\$ 3.38
13781	Sylvania LEDvance	CF13EL/MINI/827/CVP/	\$ 3.86	\$ 2.89
5604	Sylvania LEDvance	CF13EL/MINI/830	\$ 4.51	\$ 3.38
34534	Sylvania LEDvance	CF13EL/MINI/841	\$ 4.51	\$ 3.38
30944	Sylvania LEDvance	CF13EL/MINI/Y/RP	\$ 12.90	\$ 9.67
237766	Sylvania LEDvance	CF13EL/SPIRAL/827	\$ 8.91	\$ 6.68
42668	Sylvania LEDvance	CF13EL/SUPER/827/RP	\$ 7.32	\$ 5.49
30890	Sylvania LEDvance	CF14EL/R20/827/DIM/R	\$ 34.51	\$ 25.88
9241	Sylvania LEDvance	CF16EL/BR30/830	\$ 10.66	\$ 8.00
182464	Sylvania LEDvance	CF18DD/835/ECO	\$ 5.76	\$ 4.32
15148	Sylvania LEDvance	CF18DD/E/827/ECO	\$ 11.74	\$ 8.81
3724	Sylvania LEDvance	CF18DD/E/835/ECO	\$ 5.76	\$ 4.32
15655	Sylvania LEDvance	CF18DD/E/841/ECO	\$ 5.76	\$ 4.32
13004	Sylvania LEDvance	CF19EL/MINI/830	\$ 6.97	\$ 5.23
193526	Sylvania LEDvance	CF23EL/GU24/827/BL	\$ 44.37	\$ 33.28
30913	Sylvania LEDvance	CF23EL/MICRO/830/ECC	\$ 7.93	\$ 5.95
12023	Sylvania LEDvance	CF23EL/MINI/830	\$ 5.77	\$ 4.33
42646	Sylvania LEDvance	CF23EL/PAR38/830	\$ 10.67	\$ 8.00
241579	Sylvania LEDvance	CF23ELSPIRAL850	\$ 57.01	\$ 42.76
182466	Sylvania LEDvance	CF26DD/827/ECO	\$ 5.77	\$ 4.33
182468	Sylvania LEDvance	CF26DD/835/ECO	\$ 14.51	\$ 10.88
182469	Sylvania LEDvance	CF26DD/841/ECO	\$ 5.77	\$ 4.33
10314	Sylvania LEDvance	CF26DD/E/827/ECO	\$ 5.76	\$ 4.32
5539	Sylvania LEDvance	CF26DD/E/835/ECO	\$ 5.77	\$ 4.33

Direct: (304) 399-4567
Toll-Free: (833) 501-4739
Fax: (304) 523-5337

W. Va. Electric
SUPPLY COMPANY

Item#	Manufacturer	Cat#	Retail Price	Your Price
3320	Sylvania LEDvance	CF26DD/E/841/ECO	\$ 4.93	\$ 3.70
9043	Sylvania LEDvance	CF26DT/E/IN/835/ECO	\$ 6.81	\$ 5.11
42588	Sylvania LEDvance	CF26EL/MICRO/830/ECC	\$ 9.06	\$ 6.80
9381	Sylvania LEDvance	CF28EL/3WAY/TWIST/830	\$ 17.70	\$ 13.28
8673	Sylvania LEDvance	CF30EL/TWIST/830	\$ 14.73	\$ 11.05
2894	Sylvania LEDvance	CF32DT/E/IN/835/ECO	\$ 6.82	\$ 5.11
916	Sylvania LEDvance	CF32DT/E/IN/841/ECO	\$ 6.81	\$ 5.11
30909	Sylvania LEDvance	CF40EL/TWIST//827/RP	\$ 20.94	\$ 15.70
3927	Sylvania LEDvance	CF42DT/E/IN/835/ECO	\$ 6.82	\$ 5.11
7916	Sylvania LEDvance	CF42DT/E/IN/841/ECO	\$ 5.83	\$ 4.37
23916	Sylvania LEDvance	CF4EL/DECO/CANDELAB	\$ 18.76	\$ 14.07
182470	Sylvania LEDvance	CF5DS/827/ECO	\$ 2.62	\$ 1.97
18660	Sylvania LEDvance	CF5EL/B10/C/DIM/827/	\$ 34.83	\$ 26.13
15374	Sylvania LEDvance	CF65EL/TWIST/841	\$ 31.67	\$ 23.76
182471	Sylvania LEDvance	CF7DS/827/ECO	\$ 2.62	\$ 1.91
16756	Sylvania LEDvance	CF7EL/DECO/MEDIUM/1	\$ 12.35	\$ 9.27
182473	Sylvania LEDvance	CF9DS/827/ECO	\$ 2.62	\$ 1.97
9267	Sylvania LEDvance	CF9DS/E/841	\$ 7.57	\$ 5.68
30902	Sylvania LEDvance	CF9WEL/FAN/2BL	\$ 13.63	\$ 10.23
12079	Sylvania LEDvance	DOTIT/LED/UC/S/1/BL	\$ 12.95	\$ 9.71
3345	Sylvania LEDvance	ECA-120V	\$ 10.02	\$ 7.52
26911	Sylvania LEDvance	EGJ	\$ 125.67	\$ 94.25
415	Sylvania LEDvance	EHD	\$ 97.58	\$ 73.18
15579	Sylvania LEDvance	EVW	\$ 21.35	\$ 16.01
223867	Sylvania LEDvance	F13T5/CW-25/CS	\$ 9.21	\$ 6.91
4922	Sylvania LEDvance	F13T8/CW	\$ 20.44	\$ 15.33
5596	Sylvania LEDvance	F15T12/CW	\$ 4.75	\$ 3.56
1036	Sylvania LEDvance	F15T8/CW	\$ 3.05	\$ 2.29
8776	Sylvania LEDvance	F18T8CW/K24	\$ 5.54	\$ 4.15
1255	Sylvania LEDvance	F18T8CW/K26	\$ 8.96	\$ 6.72
9689	Sylvania LEDvance	F18T8CW/K28	\$ 22.04	\$ 16.53
6035	Sylvania LEDvance	F18T8CW/K30	\$ 22.04	\$ 16.53
3156	Sylvania LEDvance	F20T12/CW	\$ 2.65	\$ 1.99
15065	Sylvania LEDvance	F20T12/D35	\$ 20.42	\$ 15.32
3889	Sylvania LEDvance	F20T12/GRO/AQ/WS/RF	\$ 16.73	\$ 12.55
1941	Sylvania LEDvance	F20T12/WW	\$ 12.88	\$ 9.66
9599	Sylvania LEDvance	F24T12/CW/HO	\$ 5.34	\$ 4.00
13005	Sylvania LEDvance	F24T12/D/HO	\$ 37.86	\$ 28.40
1389	Sylvania LEDvance	F25T12/CW/28	\$ 25.23	\$ 18.92
504	Sylvania LEDvance	F25T12/CW/33	\$ 24.53	\$ 18.40
8802	Sylvania LEDvance	F25T12/CW/RS/SS-(F30	\$ 3.15	\$ 2.37

Direct: (304) 399-4567
 Toll-Free: (833) 501-4739
 Fax: (304) 523-5337

W. Va. Electric
SUPPLY COMPANY

Item#	Manufacturer	Cat#	Retail Price	Your Price
10041	Sylvania LEDvance	F30T12/CW/HO	\$ 5.17	\$ 3.88
14265	Sylvania LEDvance	F30T12/CW/RS	\$ 4.41	\$ 3.30
18750	Sylvania LEDvance	F30T12/D830/RS	\$ 40.71	\$ 30.53
2210	Sylvania LEDvance	F30T8/CW	\$ 4.98	\$ 3.74
549	Sylvania LEDvance	F34/DX/SS-(F40/DX/SS	\$ 2.51	\$ 1.89
202598	Sylvania LEDvance	F34CWX/SS-(F40CWX/SS	\$ 1.93	\$ 1.45
3590	Sylvania LEDvance	F36T12/CW/HO	\$ 5.09	\$ 3.82
4290	Sylvania LEDvance	F40/DX	\$ 2.50	\$ 1.88
13856	Sylvania LEDvance	F42T12/CW/HO	\$ 4.93	\$ 3.69
2789	Sylvania LEDvance	F48T12/CW	\$ 8.39	\$ 6.30
23717	Sylvania LEDvance	F48T12/CW/ECO	\$ 23.79	\$ 17.84
8100	Sylvania LEDvance	F48T12/CW/HO	\$ 4.39	\$ 3.29
10764	Sylvania LEDvance	F60T12/CW	\$ 6.05	\$ 4.54
3931	Sylvania LEDvance	F60T12/CW/HO	\$ 5.32	\$ 3.99
11230	Sylvania LEDvance	F64T12/CW	\$ 30.49	\$ 22.87
3067	Sylvania LEDvance	F64T12/CW/HO	\$ 11.91	\$ 8.93
8543	Sylvania LEDvance	F64T12/D	\$ 34.50	\$ 25.88
10238	Sylvania LEDvance	F64T6/CW	\$ 39.79	\$ 29.84
5591	Sylvania LEDvance	F72T12/CW	\$ 9.29	\$ 6.96
3755	Sylvania LEDvance	F72T12/CW/HO	\$ 4.47	\$ 3.35
4964	Sylvania LEDvance	F72T12/D/HO	\$ 5.63	\$ 4.22
18322	Sylvania LEDvance	F72T12/D35/HO	\$ 39.58	\$ 29.68
14014	Sylvania LEDvance	F72T12/D830/HO	\$ 24.32	\$ 18.24
9957	Sylvania LEDvance	F72T8/CW	\$ 46.67	\$ 35.00
565	Sylvania LEDvance	F84T12/CW/HO	\$ 4.93	\$ 3.70
8967	Sylvania LEDvance	F96T12/CW/HO/COLD-T	\$ 3.74	\$ 2.81
13468	Sylvania LEDvance	F96T12/D/HO/COLD-TEM	\$ 4.79	\$ 3.59
14620	Sylvania LEDvance	F96T12/D35/SS	\$ 36.58	\$ 27.44
15668	Sylvania LEDvance	F96T12/D35/SS/ECO	\$ 42.17	\$ 31.63
10012	Sylvania LEDvance	F96T12/DX	\$ 5.19	\$ 3.89
19655	Sylvania LEDvance	F96T12/DX/SS	\$ 6.73	\$ 5.05
197649	Sylvania LEDvance	F96T12CWXSUPC	\$ 3.96	\$ 2.97
42487	Sylvania LEDvance	FB40/CWX/6	\$ 8.07	\$ 6.05
1550	Sylvania LEDvance	FBO31/835	\$ 15.89	\$ 11.92
8552	Sylvania LEDvance	FBO31/841	\$ 15.45	\$ 11.59
3059	Sylvania LEDvance	FBO32/735/6/ECO	\$ 9.42	\$ 7.07
3408	Sylvania LEDvance	FBO32/741/6/ECO	\$ 8.36	\$ 6.27
24579	Sylvania LEDvance	FBO32/750/6/ECO	\$ 11.37	\$ 8.53
8280	Sylvania LEDvance	FBO32/835/6/ECO	\$ 12.95	\$ 9.72
12260	Sylvania LEDvance	FBO32/841/6/ECO	\$ 12.95	\$ 9.72
19798	Sylvania LEDvance	FBO32/850XPS/6/ECO	\$ 16.98	\$ 12.73

Direct: (304) 399-4567
Toll-Free: (833) 501-4739
Fax: (304) 523-5337

W. Va. Electric
SUPPLY COMPANY

Item#	Manufacturer	Cat#	Retail Price	Your Price
193892	Sylvania LEDvance	FC16T9/CW/RS	\$ 12.00	\$ 9.00
2198	Sylvania LEDvance	FC16T9/D/RS	\$ 40.72	\$ 30.54
2124	Sylvania LEDvance	FC6T9/CW/RS	\$ 9.31	\$ 6.98
43239	Sylvania LEDvance	FDT-64628	\$ 30.56	\$ 22.92
42574	Sylvania LEDvance	FM8/841	\$ 41.98	\$ 31.49
992	Sylvania LEDvance	FO17/735/ECO	\$ 4.01	\$ 3.01
12084	Sylvania LEDvance	FO17/741/ECO	\$ 3.46	\$ 2.60
8918	Sylvania LEDvance	FO17/835/ECO	\$ 4.85	\$ 3.64
35467	Sylvania LEDvance	FO17/841/ECO	\$ 4.85	\$ 3.64
42381	Sylvania LEDvance	FO17/950/24in	\$ 31.99	\$ 24.00
13218	Sylvania LEDvance	FO25/735/ECO	\$ 4.44	\$ 3.33
6064	Sylvania LEDvance	FO25/741/ECO	\$ 4.44	\$ 3.33
13188	Sylvania LEDvance	FO25/835/ECO	\$ 5.84	\$ 4.38
8731	Sylvania LEDvance	FO28/841/XP/SS/ECO3	\$ 4.54	\$ 3.40
194117	Sylvania LEDvance	FO28/850/XV/SS/ECO	\$ 4.04	\$ 3.03
210251	Sylvania LEDvance	FO32/25W/850/XV/SS/E	\$ 4.59	\$ 3.45
14805	Sylvania LEDvance	FO32/735/ECO	\$ 2.68	\$ 2.01
17336	Sylvania LEDvance	FO32/830/ECO	\$ 2.64	\$ 1.98
8556	Sylvania LEDvance	FO32/835/ECO	\$ 2.58	\$ 1.93
4693	Sylvania LEDvance	FO32/841/ECO	\$ 2.64	\$ 1.98
5566	Sylvania LEDvance	FO32/850/ECO	\$ 2.57	\$ 1.93
219384	Sylvania LEDvance	FO32/865/ECO	\$ 2.74	\$ 2.06
20771	Sylvania LEDvance	FO32/865/XP/ECO	\$ 26.10	\$ 19.58
223133	Sylvania LEDvance	FO32/V35/ECO	\$ 2.38	\$ 1.79
220385	Sylvania LEDvance	FO32/V41/ECO	\$ 2.12	\$ 1.59
219693	Sylvania LEDvance	FO32V65-ECO	\$ 2.73	\$ 2.05
14195	Sylvania LEDvance	FO40/741/ECO	\$ 8.78	\$ 6.59
14151	Sylvania LEDvance	FO96/741/HO/ECO	\$ 13.46	\$ 10.10
10558	Sylvania LEDvance	FO96/835/ECO	\$ 10.19	\$ 7.64
22140	Sylvania LEDvance	FO96/841/ECO	\$ 9.04	\$ 6.78
17187	Sylvania LEDvance	FO96/841/HO/ECO	\$ 15.60	\$ 11.70
25520	Sylvania LEDvance	FO96/850/ECO	\$ 11.67	\$ 8.75
24386	Sylvania LEDvance	FP14/835/ECO	\$ 12.55	\$ 9.41
25099	Sylvania LEDvance	FP14/841/ECO	\$ 12.55	\$ 9.41
18328	Sylvania LEDvance	FP24/841/HO/ECO	\$ 8.36	\$ 6.27
5270	Sylvania LEDvance	FP28/835/ECO	\$ 8.05	\$ 6.04
10796	Sylvania LEDvance	FP28/841/ECO	\$ 8.05	\$ 6.04
27854	Sylvania LEDvance	FP39/835/HO/ECO	\$ 8.36	\$ 6.27
201904	Sylvania LEDvance	FP54/50W/850/HO/SS/E	\$ 11.84	\$ 8.88
12348	Sylvania LEDvance	FP54/835/HO/ECO	\$ 3.72	\$ 2.79
9167	Sylvania LEDvance	FP54/841/HO/ECO	\$ 3.72	\$ 2.79

Direct: (304) 399-4567
Toll-Free: (833) 501-4739
Fax: (304) 523-5337

W. Va. Electric
SUPPLY COMPANY

Item#	Manufacturer	Cat#	Retail Price	Your Price
964	Sylvania LEDvance	FP54/850/HO/ECO	\$ 8.34	\$ 6.25
14384	Sylvania LEDvance	FP54/865/HO/ECO	\$ 40.15	\$ 30.12
21315	Sylvania LEDvance	FPC22/841	\$ 27.77	\$ 20.83
9748	Sylvania LEDvance	FS-2	\$ 2.23	\$ 1.67
11811	Sylvania LEDvance	FS-25	\$ 2.70	\$ 2.02
9092	Sylvania LEDvance	FS-4	\$ 2.21	\$ 1.66
9601	Sylvania LEDvance	FS-5	\$ 2.70	\$ 2.02
6048	Sylvania LEDvance	FT36DL/835/ECO	\$ 20.72	\$ 15.54
1175	Sylvania LEDvance	FT36DL/841/ECO	\$ 9.96	\$ 7.47
17899	Sylvania LEDvance	FT40DL/830/RS/ECO	\$ 11.23	\$ 8.42
7986	Sylvania LEDvance	FT40DL/835/RS/ECO	\$ 9.12	\$ 6.84
7493	Sylvania LEDvance	FT40DL/841/RS/ECO	\$ 9.12	\$ 6.84
24648	Sylvania LEDvance	FT40DL/850/RS/ECO	\$ 40.36	\$ 30.27
18834	Sylvania LEDvance	FT50DL/835/RS/ECO	\$ 16.02	\$ 12.01
19227	Sylvania LEDvance	FT55DL/835/ECO	\$ 20.94	\$ 15.70
930	Sylvania LEDvance	FT55DL/841/ECO	\$ 20.94	\$ 15.70
21385	Sylvania LEDvance	FXL	\$ 21.15	\$ 15.87
18778	Sylvania LEDvance	HPL-575/115-(UCF)	\$ 43.80	\$ 32.85
17202	Sylvania LEDvance	IGNITOR/HPS/50-150	\$ 21.82	\$ 16.36
238829	Sylvania LEDvance	LED/15/HIDR/1500/840	\$ 59.53	\$ 44.65
237810	Sylvania LEDvance	LED/2500/CL/840/RP	\$ 49.61	\$ 37.21
231965	Sylvania LEDvance	LED/700/CL/827/RP	\$ 19.79	\$ 14.84
233463	Sylvania LEDvance	LED/700/CL/840/RP	\$ 23.17	\$ 17.38
236267	Sylvania LEDvance	LED/9A19/F827/G4	\$ 2.49	\$ 1.87
224251	Sylvania LEDvance	LED/LD/900/830/FL120	\$ 18.20	\$ 13.65
238257	Sylvania LEDvance	LED/LD/900/930/FL120	\$ 24.55	\$ 18.42
44102	Sylvania LEDvance	LED/MOTION/LINEAR/W	\$ 12.78	\$ 9.59
231967	Sylvania LEDvance	LED/RT/5/6/625/827	\$ 18.17	\$ 13.63
238173	Sylvania LEDvance	LED/RT/5/6/625/840	\$ 17.61	\$ 13.21
224669	Sylvania LEDvance	LED/RT5/6/700/830FL8	\$ 26.06	\$ 19.55
236126	Sylvania LEDvance	LED/RT6/1500/HO/835	\$ 100.25	\$ 75.19
217929	Sylvania LEDvance	LED/RT6/G/900/830/FL	\$ 59.73	\$ 44.80
217957	Sylvania LEDvance	LED/RT8/2000/835	\$ 87.37	\$ 65.53
230836	Sylvania LEDvance	LED10A19/827/G3/BL	\$ 7.32	\$ 5.49
235411	Sylvania LEDvance	LED10A19/DIM/CLO/827	\$ 2.49	\$ 1.87
210201	Sylvania LEDvance	LED10A19/F/827/RP	\$ 3.33	\$ 2.50
220998	Sylvania LEDvance	LED10A19827G3	\$ 9.56	\$ 7.17
214297	Sylvania LEDvance	LED10A19F827G2	\$ 9.02	\$ 6.77
231626	Sylvania LEDvance	LED10PAR30LNDIM830F	\$ 18.22	\$ 13.66
218645	Sylvania LEDvance	LED11A19/DIM/O/827/C	\$ 11.96	\$ 8.97
226352	Sylvania LEDvance	LED11PAR38DIM830FL3	\$ 31.25	\$ 23.44

Direct: (304) 399-4567
 Toll-Free: (833) 501-4739
 Fax: (304) 523-5337

W. Va. Electric
SUPPLY COMPANY

Item#	Manufacturer	Cat#	Retail Price	Your Price
236530	Sylvania LEDvance	LED1200CL840RP	\$ 29.86	\$ 22.40
233775	Sylvania LEDvance	LED12A19/F/827/10YV/	\$ 5.99	\$ 4.49
233776	Sylvania LEDvance	LED12A19/F/850/10YV/	\$ 7.88	\$ 5.91
231966	Sylvania LEDvance	LED13PAR38/830/FL45/	\$ 11.32	\$ 8.49
239604	Sylvania LEDvance	LED13PAR38/850/FL45/	\$ 11.32	\$ 8.49
237418	Sylvania LEDvance	LED14A19/F/827/10YV/	\$ 9.72	\$ 7.29
242749	Sylvania LEDvance	LED15A21/3WAY/O/827	\$ 26.43	\$ 19.82
237379	Sylvania LEDvance	LED15LT6/DIM/SK/827/	\$ 15.15	\$ 11.36
234364	Sylvania LEDvance	LED17T8/L48/FG/841/S	\$ 7.18	\$ 5.39
233240	Sylvania LEDvance	LED17T8/L48/FG/850/S	\$ 14.06	\$ 10.55
242574	Sylvania LEDvance	LED17T8/L48/FG/841/S	\$ 10.80	\$ 8.10
201302	Sylvania LEDvance	LED21PAR38/DIM/P/93C	\$ 87.43	\$ 65.58
193787	Sylvania LEDvance	LED22T8L48/850/120/1	\$ 137.33	\$ 103.00
211415	Sylvania LEDvance	LED22T8L48/F/1X1HO/8	\$ 127.51	\$ 95.63
239522	Sylvania LEDvance	LED4.5B10BLUNTDIM82	\$ 8.14	\$ 6.10
237392	Sylvania LEDvance	LED4.5B10C/BLUNT/DIM	\$ 8.33	\$ 6.25
241716	Sylvania LEDvance	LED4.5R20DIM827G3RP	\$ 8.56	\$ 6.42
200553	Sylvania LEDvance	LED4B10/BENT/DIM/827	\$ 14.66	\$ 11.00
200554	Sylvania LEDvance	LED4B10/BLUNT/DIM/827	\$ 40.53	\$ 30.40
223924	Sylvania LEDvance	LED5R20DIM827G2	\$ 14.81	\$ 11.11
233771	Sylvania LEDvance	LED6A19/F/827/10YV/R	\$ 3.32	\$ 2.49
233772	Sylvania LEDvance	LED6A19/F/850/10YV/R	\$ 4.12	\$ 3.09
215242	Sylvania LEDvance	LED7PAR20/DIM/830/FL	\$ 12.41	\$ 9.30
227840	Sylvania LEDvance	LED7PAR20/DIM/850/FL	\$ 30.93	\$ 23.20
233773	Sylvania LEDvance	LED8.5A19/F/827/10YV	\$ 3.32	\$ 2.49
228418	Sylvania LEDvance	LED8.5A19/F/850/10YV	\$ 3.32	\$ 2.49
229654	Sylvania LEDvance	LED9BR30DIM82710YVR	\$ 7.36	\$ 5.52
223894	Sylvania LEDvance	LED9BR30DIM827G2	\$ 4.67	\$ 3.50
236678	Sylvania LEDvance	LED9MR16DIM830FL35	\$ 15.12	\$ 11.34
227693	Sylvania LEDvance	LEDRT56HO900835	\$ 83.38	\$ 62.54
12416	Sylvania LEDvance	LU100/ECO	\$ 20.24	\$ 15.18
2325	Sylvania LEDvance	LU100/MED	\$ 14.80	\$ 11.10
1357	Sylvania LEDvance	LU1000/ECO	\$ 79.04	\$ 59.28
6167	Sylvania LEDvance	LU1000/SUPER5-KIT	\$ 229.92	\$ 98.85
21774	Sylvania LEDvance	LU150/480-KIT	\$ 139.39	\$ 104.55
18586	Sylvania LEDvance	LU150/55/D/MED	\$ 103.81	\$ 77.86
9002	Sylvania LEDvance	LU150/55/ECO	\$ 26.99	\$ 20.24
4885	Sylvania LEDvance	LU150/55/MED	\$ 14.93	\$ 11.20
4776	Sylvania LEDvance	LU150/55/SBY	\$ 137.95	\$ 103.46
20599	Sylvania LEDvance	LU150/MULTI-KIT	\$ 99.81	\$ 74.86
9782	Sylvania LEDvance	LU250/ECO	\$ 18.13	\$ 13.60

Direct: (304) 399-4567
 Toll-Free: (833) 501-4739
 Fax: (304) 523-5337

W. Va. Electric
SUPPLY COMPANY

Item#	Manufacturer	Cat#	Retail Price	Your Price
5343	Sylvania LEDvance	LU250/SUPER5-KIT	\$ 101.30	\$ 57.50
10990	Sylvania LEDvance	LU35/MED	\$ 20.24	\$ 15.18
1996	Sylvania LEDvance	LU400/ECO	\$ 18.13	\$ 13.60
5783	Sylvania LEDvance	LU400/SUPER5-KIT	\$ 123.08	\$ 92.31
6891	Sylvania LEDvance	LU50/MED	\$ 14.80	\$ 11.10
1507	Sylvania LEDvance	LU70/ECO	\$ 26.99	\$ 20.24
12973	Sylvania LEDvance	LU70/MED	\$ 12.48	\$ 9.36
8432	Sylvania LEDvance	M1000/C/U	\$ 196.64	\$ 147.48
2785	Sylvania LEDvance	M1000/SUPER5-KIT	\$ 149.71	\$ 112.28
6948	Sylvania LEDvance	M1000/U	\$ 25.60	\$ 19.20
1143	Sylvania LEDvance	M1000/U/BT37	\$ 25.60	\$ 19.20
43645	Sylvania LEDvance	M150/U/MED	\$ 35.76	\$ 26.82
9802	Sylvania LEDvance	M1500/BU-HOR	\$ 62.16	\$ 46.62
4583	Sylvania LEDvance	M175/SUPER5-KIT	\$ 63.81	\$ 47.86
2021	Sylvania LEDvance	M175/U/MED	\$ 9.60	\$ 7.20
220553	Sylvania LEDvance	M175U/ED28	\$ 14.19	\$ 10.64
230722	Sylvania LEDvance	M250/PS/U/ED28	\$ 40.23	\$ 30.18
20464	Sylvania LEDvance	M250/SUPER5-KIT	\$ 82.29	\$ 61.72
220552	Sylvania LEDvance	M250U/ED28	\$ 11.20	\$ 8.40
19231	Sylvania LEDvance	M320/MULTI-PS-KIT	\$ 91.51	\$ 68.63
34508	Sylvania LEDvance	M400/PS/U	\$ 43.59	\$ 32.69
229972	Sylvania LEDvance	M400/PS/U/ED37	\$ 43.58	\$ 32.69
1707	Sylvania LEDvance	M400/SUPER5-KIT	\$ 94.73	\$ 71.05
220554	Sylvania LEDvance	M400U/ED28	\$ 14.97	\$ 11.23
220556	Sylvania LEDvance	M400U/ED37	\$ 15.35	\$ 11.51
5383	Sylvania LEDvance	MB1X22/120CIRC-SRKN	\$ 24.51	\$ 18.38
8073	Sylvania LEDvance	MB2X96/VHO/277RS-SR	\$ 195.43	\$ 146.57
20861	Sylvania LEDvance	MC150T7.5/G12/U/830-	\$ 88.99	\$ 66.75
209059	Sylvania LEDvance	MCP70/C/U/MED/940-P	\$ 197.27	\$ 147.96
24273	Sylvania LEDvance	MCP70/U/MED/830-PB	\$ 188.88	\$ 141.66
4106	Sylvania LEDvance	MP100/C/U/MED	\$ 35.13	\$ 26.35
935	Sylvania LEDvance	MP100/U/MED	\$ 15.12	\$ 11.34
13925	Sylvania LEDvance	MP1000/BU-ONLY	\$ 89.19	\$ 66.89
14649	Sylvania LEDvance	MP150/U/MED	\$ 21.70	\$ 16.28
8342	Sylvania LEDvance	MP400/BU-ONLY	\$ 43.30	\$ 32.48
8912	Sylvania LEDvance	MP50/U/MED	\$ 21.71	\$ 16.28
9333	Sylvania LEDvance	MP70/U/MED	\$ 21.70	\$ 16.28
20141	Sylvania LEDvance	MS175/PS/BU-ONLY/ME	\$ 193.77	\$ 145.33
223964	Sylvania LEDvance	MS320/PS/BU-HOR/ED2	\$ 45.46	\$ 34.10
43624	Sylvania LEDvance	MS360/C/SS/BU-HOR	\$ 33.52	\$ 25.14
14467	Sylvania LEDvance	MS360/SS/BU-HOR	\$ 31.29	\$ 23.47

Direct: (304) 399-4567
Toll-Free: (833) 501-4739
Fax: (304) 523-5337

W. Va. Electric
SUPPLY COMPANY

Item#	Manufacturer	Cat#	Retail Price	Your Price
21673	Sylvania LEDvance	MS400/BU-ONLY	\$ 41.77	\$ 31.33
18755	Sylvania LEDvance	MS400/C/PS/BU-ONLY	\$ 193.88	\$ 145.41
9636	Sylvania LEDvance	MSB-46-1240-TP	\$ 261.00	\$ 195.75
22034	Sylvania LEDvance	NL/LED/POWERLITE/CLI	\$ 11.65	\$ 8.74
239353	Sylvania LEDvance	PANEL	\$ 133.10	\$ 99.83
14572	Sylvania LEDvance	PR2	\$ 0.70	\$ 0.52
200375	Sylvania LEDvance	QHE-2X32T8/UNV-ISH-H	\$ 172.74	\$ 129.56
201421	Sylvania LEDvance	QHE-2x54T5HO/UNV-PS	\$ 98.16	\$ 73.62
28862	Sylvania LEDvance	QHE-3x32T8/UNV-ISL-S	\$ 19.53	\$ 14.65
14917	Sylvania LEDvance	QHE2X40DL/UNV-ISN-SC	\$ 46.17	\$ 34.63
43031	Sylvania LEDvance	QHE2x86T8HO/UNV-PSN	\$ 68.05	\$ 51.04
228255	Sylvania LEDvance	QHE3x32T8/UNV/DIM/T	\$ 85.33	\$ 64.00
42905	Sylvania LEDvance	QTP-2X28T5/UNV-PSN	\$ 44.59	\$ 33.45
43072	Sylvania LEDvance	QTP-2X42CF/UNV-DALI	\$ 300.31	\$ 225.23
43020	Sylvania LEDvance	QTP-3X32T8/UNV-ISN-S	\$ 18.30	\$ 13.73
18810	Sylvania LEDvance	QTP-4x32T8/UNV-ISN-S	\$ 20.35	\$ 15.27
16051	Sylvania LEDvance	QTP1X32T8/UNV-ISN-SC	\$ 16.24	\$ 12.18
20977	Sylvania LEDvance	QTP2X26/32/42CF/UNV	\$ 34.46	\$ 16.10
8844	Sylvania LEDvance	QTP2X26/CF/UNV-DM	\$ 39.45	\$ 29.59
8119	Sylvania LEDvance	QTP2X32T8/UNV-ISN-SC	\$ 13.86	\$ 10.31
9854	Sylvania LEDvance	QTP2X40T12/UNV-RS-SC	\$ 19.14	\$ 14.36
234301	Sylvania LEDvance	QTP2X40T12UNVRSSC	\$ 21.33	\$ 16.00
18762	Sylvania LEDvance	QTP2X40TT5/120PSN-F	\$ 58.48	\$ 43.86
33026	Sylvania LEDvance	QTP2X40TT5/277PSN-F	\$ 52.89	\$ 39.67
20365	Sylvania LEDvance	QTP2X54T5HOUNVPSNM	\$ 44.59	\$ 33.45
14527	Sylvania LEDvance	QTP2X59T8/UNV-ISN-SC	\$ 31.70	\$ 23.78
238179	Sylvania LEDvance	QTP2X96T12HOUNVRSS	\$ 51.19	\$ 38.39
234300	Sylvania LEDvance	QTP2X96T12UNVISSC	\$ 37.65	\$ 28.24
8225	Sylvania LEDvance	QTP3X32T8/UNV-ISN-SC	\$ 15.62	\$ 11.72
16557	Sylvania LEDvance	QTP4X32T8/UNV-ISN-SC	\$ 17.37	\$ 13.03
2689	Sylvania LEDvance	QTP4x54T5HO/UNV-PSN	\$ 64.04	\$ 48.03
184013	Sylvania LEDvance	QTP2x96T12/UNV-IS	\$ 27.65	\$ 20.74
244398	Sylvania LEDvance	LED25T5HO/L48/FG/841	\$ 23.57	\$ 17.68
244762	Sylvania LEDvance	LED17T8/L48/FG/841/B	\$ 15.12	\$ 11.34
244771	Sylvania LEDvance	LED9A19MOT827RP	\$ 21.69	\$ 16.27
5906	Sylvania LEDvance	35AR111/SSP4	\$ 36.73	\$ 27.55
3555	Sylvania LEDvance	M400/U/BT28	\$ 31.13	\$ 23.35
245359	Sylvania LEDvance	LED6PAR16/DIM/GU10/	\$ 10.06	\$ 7.55
245360	Sylvania LEDvance	FO32/835/XV/ECO	\$ 4.98	\$ 3.74
245926	Sylvania LEDvance	LED8PAR20DIM850FL40	\$ 13.55	\$ 10.16
245978	Sylvania LEDvance	OT40W/PRG1400C/UNV	\$ 169.02	\$ 126.77

Direct: (304) 399-4567
Toll-Free: (833) 501-4739
Fax: (304) 523-5337

W. Va. Electric
SUPPLY COMPANY

Item#	Manufacturer	Cat#	Retail Price	Your Price
29321	Sylvania LEDvance	QTP2x96T12HO/UNV-RS	\$ 42.11	\$ 31.58
246252	Sylvania LEDvance	LED9A19DIMO827UB	\$ 10.80	\$ 8.10
246556	Sylvania LEDvance	LED8A15DIM827G3RP[C	\$ 0.48	\$ 0.36
246557	Sylvania LEDvance	LED6A19DIMO850G5RP	\$ 2.15	\$ 1.61
246558	Sylvania LEDvance	LED4A15822VINRP	\$ 3.14	\$ 2.36
246559	Sylvania LEDvance	LED11BR30DIMHO827G	\$ 2.28	\$ 1.71
246859	Sylvania LEDvance	LED8A15CDIM827G3RP	\$ 0.75	\$ 0.56
246860	Sylvania LEDvance	LED8.5A19F82710YVRP4	\$ 2.77	\$ 2.08
246885	Sylvania LEDvance	LED12.5PAR30LN/HD/DI	\$ 23.36	\$ 17.52
247012	Sylvania LEDvance	WALPAK2N/030UNV750	\$ 209.16	\$ 156.87
247013	Sylvania LEDvance	VAPOR1A/025UNVD840	\$ 104.51	\$ 78.38
229873	Sylvania LEDvance	LED10A19/DIM/O/827/C	\$ 10.80	\$ 8.10
247086	Sylvania LEDvance	LED2.5B10CBENTDIM85	\$ 5.52	\$ 4.14
247102	Sylvania LEDvance	LED2.5B10CBENTDIM82	\$ 5.52	\$ 4.14
247395	Sylvania LEDvance	79610	\$ 6.30	\$ 4.72
247654	Sylvania LEDvance	LEDSLIMUCCONVER	\$ 95.98	\$ 71.99
247655	Sylvania LEDvance	LEDSLIMUCCONVER	\$ 74.65	\$ 55.99
247658	Sylvania LEDvance	LEDSLIMUCCONVER	\$ 46.93	\$ 35.20
247656	Sylvania LEDvance	LEDSLIMUCCONVER	\$ 53.32	\$ 39.99
248084	Sylvania LEDvance	LED4B10CBENT822V	\$ 0.64	\$ 0.48
248085	Sylvania LEDvance	LED8.5A19F82710YVRP2	\$ 2.51	\$ 1.89
248086	Sylvania LEDvance	LED9BR30DIMHO827G5	\$ 6.93	\$ 5.20
248104	Sylvania LEDvance	MS360/SS/BU-HOR/ED3	\$ 32.29	\$ 24.22
248218	Sylvania LEDvance	LED17PAR38DIM850FL4	\$ 23.04	\$ 17.28
248219	Sylvania LEDvance	LED26PAR38HODIM850I	\$ 45.88	\$ 34.41
236751	Sylvania LEDvance	LED6B13BENTDIM827RF	\$ 2.36	\$ 1.77



Department of Administration
Purchasing Division
2019 Washington Street East
Post Office Box 50130
Charleston, WV 25305-0130

State of West Virginia Master Agreement

Order Date: 2018-04-26

CORRECT ORDER NUMBER
MUST APPEAR ON ALL PACKAGES,
INVOICES, AND SHIPPING PAPERS.
QUESTIONS CONCERNING THIS
ORDER SHOULD BE DIRECTED TO
THE DEPARTMENT CONTACT.

Order Number: CMA 0212 0212 LIGHT18	Procurement Folder: 444708
Document Name: Statewide contract for Light bulbs and Ballasts	Reason for Modification: Award of CRFQ SWC1800000012
Document Description: Light bulbs and Ballasts	
Procurement Type: Central Master Agreement	
Buyer Name: Melissa Pettrey	
Telephone: (304) 558-0094	
Email: melissa.k.pettrey@wv.gov	
Shipping Method: Best Way	Effective Start Date: 2018-05-01
Free on Board: FOB Dest, Freight Prepaid	Effective End Date: 2019-04-30

VENDOR	DEPARTMENT CONTACT
Vendor Customer Code: 000000200158 WV ELECTRIC SUPPLY CO 250 12th Street West Huntington WV 25704 US Vendor Contact Phone: (304) 255-5067 Extension: Discount Percentage: 0.0000 Discount Days: 0	Requestor Name: Guy Nisbet Requestor Phone: (304) 558-2596 Requestor Email: guy.l.nisbet@wv.gov

INVOICE TO	SHIP TO
ALL STATE AGENCIES VARIOUS LOCATIONS AS INDICATED BY ORDER No City WV 99999 US	STATE OF WEST VIRGINIA VARIOUS LOCATIONS AS INDICATED BY ORDER No City WV 99999 US

AGENCY COPY

Total Order Amount	Open End
--------------------	----------

MKP
4/27/18

PURCHASING DIVISION AUTHORIZATION SIGNED BY: Guy Nisbet DATE: 2018-04-19 ELECTRONIC SIGNATURE ON FILE	ATTORNEY GENERAL APPROVAL AS TO FORM SIGNED BY: <i>[Signature]</i> DATE: <i>4/27/18</i> ELECTRONIC SIGNATURE ON FILE	ENCUMBRANCE CERTIFICATION SIGNED BY: <i>Beverly Tolson</i> DATE: <i>MAY 8 2018</i> ELECTRONIC SIGNATURE ON FILE
-----------------------------------------------------------------------------------------------------------------------	--------------------------------------------------------------------------------------------------------------------------------------	---------------------------------------------------------------------------------------------------------------------------------

5/2/18

Extended Description:

Statewide Contract for Light bulbs and Ballasts

Open-End

The Vendor: West Virginia Electric Supply of Huntington, WV, agrees to enter into this open-end contract with the State of West Virginia and Political Subdivisions to provide light bulbs and ballasts per the bid requirements, specifications, terms and conditions, Addendum No.1 dated 02/16/2018, Addendum No. 2 dated 02/23/2018 and the Vendor's submitted and accepted bid dated 02/28/2018, and per the attached Pricing Page and Catalog Price Book, all incorporated herein and made a part of hereof.

Line	Commodity Code	Manufacturer	Model No	Unit	Unit Price
1	39100000			EA	\$0.000000
	Service From	Service To			

Commodity Line Description: LIGHT BULBS & BALLAST

Extended Description:

See Vendors submitted Catalog Price Book as attached.

LIGHT18	Document Phase Draft	Document Description Light bulbs and Ballasts	Page 3
----------------	--------------------------------	---------------------------------------------------------	---------------

ADDITIONAL TERMS AND CONDITIONS

See attached document(s) for additional Terms and Conditions

Ordering Instructions

Statewide Contract

LIGHT18

Light Bulbs and Ballasts

STATE AGENCY - Ordering Requirements – Spending Unit(s) will issue a wvOASIS Agency Delivery Order (ADO) to W. Va. Electric Supply Co. for Items covered by this contract.

Special Instructions- Minimum Shipment shall be \$100.00 per order.

Approval Required-None.

Vendor Contact Information:

Toll Free- 833-501-4739 (this number is for statewide contract only)

Direct-304-399-4567

FAX-304-523-5337

Email- STATE.CONTRACTS@WVAELECTRIC.COM

Catalog link- <http://www.wvaelectric.com/wvpricingrequest>

Instructions: complete the requested information and submit. You will receive an email with a PDF copy of the catalog.

See the **List of Buyer Assignments** located at the Purchasing Division website (Agency Resource Center) for the centralized buyer assigned to this contract.

Type of Delivery Order - An ADO must be created in Oasis with the appropriate documentation attached.

How to submit the completed order to the Vendor - assemble document, print and submit the ADO or CDO to the vendor.

POLITICAL SUBDIVISIONS- Contact Vendor to confirm that Contract pricing is available.