



Department of Administration
 Purchasing Division
 2019 Washington Street East
 Post Office Box 50130
 Charleston, WV 25305-0130

State of West Virginia
 Centralized Request for Quote
 Equipment

Proc Folder: 1017517

Doc Description: HENDERSON PRODUCT LINE OEM PARTS O

Proc Type: Central Master Agreement

04/06/22 10:08:17
 WV Purchasing Division

Date Issued	Solicitation Closes	Solicitation No
2022-03-23	2022-04-06 13:30	CRFQ 0803 D

BID RECEIVING LOCATION

BID CLERK
 DEPARTMENT OF ADMINISTRATION
 PURCHASING DIVISION
 2019 WASHINGTON ST E
 CHARLESTON WV 25305
 US

VENDOR

Vendor Customer Code:

Vendor Name : ACE TRUCK EQUIPMENT

Address : 1130 NEWARK RD

Street :

City : ZANESVILLE

State : OHIO

Country : USA

Zip : 43701

Principal Contact : SHAWN HAMPP

Vendor Contact Phone: 740-4530551

Extension:

FOR INFORMATION CONTACT THE BUYER

John W Estep
 304-558-2566
 john.w.estep@wv.gov

Vendor
 Signature X

FEIN# 31-4445719

DATE 4/4/22

All offers subject to all terms and conditions contained in this solicitation

ADDITIONAL INFORMATION**REQUEST FOR QUOTATION:**

The West Virginia Purchasing Division is soliciting bids on behalf of West Virginia Department of Transportation, Division of Highways to establish an open-end contract for Henderson Product Line OEM or Equal Parts. Per the Bid Requirements, Specifications, Terms and Conditions attached to this solicitation.

INVOICE TO		SHIP TO	
VARIOUS AGENCY LOCATIONS AS INDICATED BY ORDER		STATE OF WEST VIRGINIA	
No City US		No City US	
WV		WV	
VARIOUS LOCATIONS AS INDICATED BY ORDER		VARIOUS LOCATIONS AS INDICATED BY ORDER	

Line	Comm Ln Desc	Qty	Unit Issue	Unit Price	Total Price
1	Snowplow attachments	0.00000	EA		

Comm Code	Manufacturer	Specification	Model #
22101710			

Extended Description:
Snowplow attachments

SCHEDULE OF EVENTS

<u>Line</u>	<u>Event</u>	<u>Event Date</u>
1	Tech Questions due bt 10:00am	2022-03-29

	Document Phase	Document Description	Page 3
DOT2200000151	Final	HENDERSON PRODUCT LINE OEM PARTS OR EQUAL	

ADDITIONAL TERMS AND CONDITIONS

See attached document(s) for additional Terms and Conditions



Department of Administration
 Purchasing Division
 2019 Washington Street East
 Post Office Box 50130
 Charleston, WV 25305-0130

State of West Virginia
 Centralized Request for Quote
 Equipment

Proc Folder: 1017517			Reason for Modification: Addendum No_2 Vendor Questions and Responses
Doc Description: ADDENDUM NO_2 HENDERSON PRODUCT LINE OEM PARTS OR EQUAL			
Proc Type: Central Master Agreement			
Date Issued	Solicitation Closes	Solicitation No	Version
2022-03-30	2022-04-06 13:30	CRFQ 0803 DOT2200000151	3

BID RECEIVING LOCATION

BID CLERK
 DEPARTMENT OF ADMINISTRATION
 PURCHASING DIVISION
 2019 WASHINGTON ST E
 CHARLESTON WV 25305
 US

VENDOR

Vendor Customer Code:

Vendor Name : *ACE TRUCK EQUIPMENT*

Address : *1130*

Street : *NEWARK Road*


City : *ZANESVILLE*

State : *Ohio* Country : *USA* Zip : *43701*

Principal Contact : *SHAWD HAMPP*

Vendor Contact Phone: *740-4530551* Extension:

FOR INFORMATION CONTACT THE BUYER
 John W Estep
 304-558-2566
 john.w.estep@wv.gov

Vendor Signature X  FEIN# *31-4445719* DATE *4/4/22*

All offers subject to all terms and conditions contained in this solicitation

ADDITIONAL INFORMATION**ADDENDUM NO_2**

Addendum No_2 issued to publish and distribute the attached information to the Vendor Community.

REQUEST FOR QUOTATION:

The West Virginia Purchasing Division is soliciting bids on behalf of West Virginia Department of Transportation, Division of Highways to establish an open-end contract for Henderson Product Line OEM or Equal Parts. Per the Bid Requirements, Specifications, Terms and Conditions attached to this solicitation.

INVOICE TO**SHIP TO**

VARIOUS AGENCY
LOCATIONS
AS INDICATED BY ORDER

STATE OF WEST VIRGINIA

VARIOUS LOCATIONS AS
INDICATED BY ORDER

No City WV
US

No City WV
US

Line	Comm Ln Desc	Qty	Unit Issue	Unit Price	Total Price
1	Snowplow attachments	0.00000	EA		

Comm Code**Manufacturer****Specification****Model #**

22101710

Extended Description:

Snowplow attachments

SCHEDULE OF EVENTS

<u>Line</u>	<u>Event</u>	<u>Event Date</u>
1	Tech Questions due bt 10:00am	2022-03-29

SOLICITATION NUMBER: CRFQ DOT2200000151

Addendum Number: 2

The purpose of this addendum is to modify the solicitation identified as CRFQ DOT2200000151 ("Solicitation") to reflect the change(s) identified and described below.

Applicable Addendum Category:

- Modify bid opening date and time
- Modify specifications of product or service being sought
- Attachment of vendor questions and responses
- Attachment of pre-bid sign-in sheet
- Correction of error
- Other

Additional Documentation:

Vendor Questions and Responses

Bid Opening remains 04/06/2022 at 1:30pm

Terms and Conditions:

1. All provisions of the Solicitation and other addenda not modified herein shall remain in full force and effect.
2. Vendor should acknowledge receipt of all addenda issued for this Solicitation by completing an Addendum Acknowledgment, a copy of which is included herewith. Failure to acknowledge addenda may result in bid disqualification. The addendum acknowledgement should be submitted with the bid to expedite document processing.

ADDENDUM 2

CRFQ DOT2200000151

HENDERSON OEM PARTS OR EQUAL

- 1. Question:** Could I have the specs for cutting edge part #81942 also.

Answer: Part number 81942 is the same build material as the 81934 cutting edge. The only difference is that 81942 is 4 feet in length. The hole stamping is still a standard punch.

- 2. Question:**

Item#10 0151-9200C Pump Casing

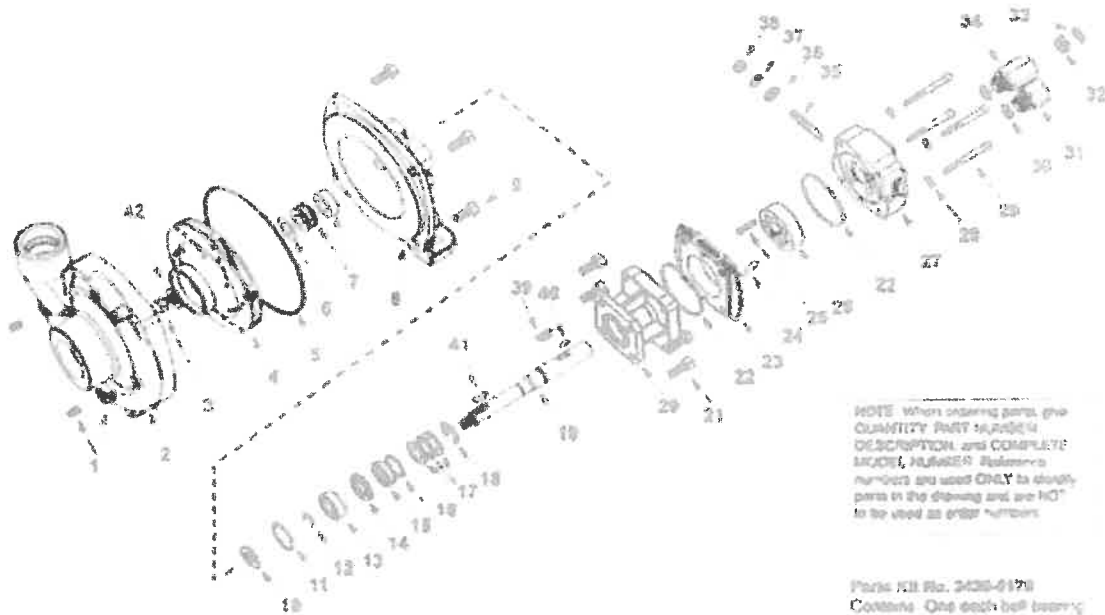
Item#11 0511-2501 Shaft

Item#12 2000-0010 Ball Bearing

Item#13 0151-2500C Motor Body

I don't believe these are valid Henderson part numbers. Please check this out and let me know what we need to do about them. Thanks

Answer: The part numbers are for the 9306C series pumps. They are parts for rebuilding the pump and are located on page 51 of the Henderson LAS parts book. Schematic page attached.



NOTE: When ordering parts, give QUANTITY, PART NUMBER, DESCRIPTION, and COMPLETE MODEL NUMBER. Reference numbers are used ONLY to identify parts in the drawing and are NOT to be used as order numbers.

Parts Kit No. 3430-0170
 Contains: One shaft ball bearing (Ref. 13) motor shaft seal (Ref. 15) O-ring seal gasket (Ref. 20) and washer (Ref. 37) two each motor housing O-rings (Ref. 22) and one adaptor O-ring (Ref. 30).

Repair Parts Kit No. 3430-0222
 Contains: One imp/impeller seal (Ref. 7) one O-ring (Ref. 5) and one rubber gasket (Ref. 6)

Shaft Seal Kit
 No. 3430-0590 Contains:
 One Mechanical Seal (Ref. 87)
 and One O-ring (Ref. 88)

Hydraulic Motor Part No.
 2100-0000C (H41C Models)
 2500-0011C (H43C Models)
 2900-0110C (H45C Models)

Ref. No.	Qty. Req'd.	Part No.	Description
1	4	3405-0007	Overfill Plug
2	1	0161-0100C	Pump Casting (Includes O-ringlets & stainless steel wear ring)
3	1	2253-0003	Impeller Nut
4	1	0401-0200F	Impeller
5	1	1720-0003	O-ring
6	1	1700-0100	Rubber Gasket
7	1	2120-0000	Mechanical Seal (Shaft Seal)
8	1	3430-0590	Mechanical Seal (Shaft Seal) (Optional)
9	1	0750-0300C	Mounting Flange
10	4	2210-0020	Hex Head Cap Screws
11	1	1410-0050	Ginger Ring
12	1	1520-0015	Retaining Ring
13	1	1610-0014	Ball Bearing
14	1	2000-0010	Ball Bearing
15	1	0410-0070	Spacer
16	1	2104-0020	Shaft Seal
17	1	1410-0074	Seal Spacer
18	1	2020-0014	Thrust Bearing Assembly—Consists of 1 Thrust Bearing & 2 Thrust Ring Nuts
19	1	1610-0025	Snap Ring
20	1	0410-0060	Shaft (H41C Models) 1.7" long
21	1	0411-0060	Shaft (H41C & H43C Models) 7" long
22	1	1611-2500C	Motor Body (Includes Main Bearing)
23	4	2210-0020	Hex Head Cap Screws
24	2	1720-0110	O-ring
25	1	0700-2500C	Gasket Housing (H41C Models) 1.7" wide
26	1	0700-2500C	Gasket Housing (H43C Models) 1" wide

Ref. No.	Qty. Req'd.	Part No.	Description
27	1	0704-2500C	Gasket Housing (H43C Models) 5/8" wide
28	1	1600-0002	Drive Pin (H43C Models)
29	1	1600-0004	Drive Pin (H41C and H43C Models)
30	1	1600-0006	Drive Pin (H43C Models)
31	1	1600-0017	Drive Pin (H41C and H43C Models)
32	1	2000-0022	Carrier (H41C Models)
33	1	2000-0024	Carrier (H43C Models)
34	1	1600-0010	Carrier (H43C Models)
35	1	1620-0010	Motor End Flange (Includes Main Bearing)
36	4	2270-0030	Washer
37	4	2220-0044	Cap Screws (H43C)
38	4	2220-0021	Cap Screws (H41C)
39	4	2220-0032	Cap Screws (H43C)
40	2	1720-0100	O-ring
41	1	1300-0021	Pressure Port Adaptor
42	1	1200-0020	Flange
43	1	1620-0021	Retaining Ring
44	1	1320-0010	Strut Port Adaptor
45	1	1320-0020	Strut Adjusting Screw
46	1	1700-0017	Washer
47	1	2070-0027	Washer
48	1	2250-0020	Lock Nut
49	1	1610-0030	Washer (H43C Models)
50	1	1610-0031	Ret. Pin (H41C and H43C Models)
51	1	1610-0012	Washer (H41C)
52	1	2270-0027	Washer

ADDENDUM ACKNOWLEDGEMENT FORM
SOLICITATION NO.: CRFO DOT2200000151

Instructions: Please acknowledge receipt of all addenda issued with this solicitation by completing this addendum acknowledgment form. Check the box next to each addendum received and sign below. Failure to acknowledge addenda may result in bid disqualification.

Acknowledgment: I hereby acknowledge receipt of the following addenda and have made the necessary revisions to my proposal, plans and/or specification, etc.

Addendum Numbers Received:

(Check the box next to each addendum received)

- | | |
|--|--|
| <input type="checkbox"/> Addendum No. 1 | <input type="checkbox"/> Addendum No. 6 |
| <input checked="" type="checkbox"/> Addendum No. 2 | <input type="checkbox"/> Addendum No. 7 |
| <input type="checkbox"/> Addendum No. 3 | <input type="checkbox"/> Addendum No. 8 |
| <input type="checkbox"/> Addendum No. 4 | <input type="checkbox"/> Addendum No. 9 |
| <input type="checkbox"/> Addendum No. 5 | <input type="checkbox"/> Addendum No. 10 |

I understand that failure to confirm the receipt of addenda may be cause for rejection of this bid. I further understand that that any verbal representation made or assumed to be made during any oral discussion held between Vendor's representatives and any state personnel is not binding. Only the information issued in writing and added to the specifications by an official addendum is binding.

Ace Truck Equipment
Company


Authorized Signature

4/4/22
Date

NOTE: This addendum acknowledgment should be submitted with the bid to expedite document processing.



Department of Administration
 Purchasing Division
 2019 Washington Street East
 Post Office Box 50130
 Charleston, WV 25305-0130

State of West Virginia
 Centralized Request for Quote
 Equipment

Proc Folder: 1017517			Reason for Modification: ADDENDUM NO_1 Vendor Question and response
Doc Description: ADDENDUM NO_1 HENDERSON PRODUCT LINE OEM PARTS OR EQUAL			
Proc Type: Central Master Agreement			
Date Issued	Solicitation Closes	Solicitation No	Version
2022-03-28	2022-04-06 13:30	CRFQ 0803 DOT2200000151	2

BID RECEIVING LOCATION

BID CLERK
 DEPARTMENT OF ADMINISTRATION
 PURCHASING DIVISION
 2019 WASHINGTON ST E
 CHARLESTON WV 25305
 US

VENDOR

Vendor Customer Code:
 Vendor Name: *ACE TRUCK EQUIPMENT*
 Address: *1130*
 Street: *NEWARK ROAD*
 City: *ZANESVILLE*
 State: *OHIO* Country: *USA* Zip: *43701*
 Principal Contact: *SHAWN HAMP*
 Vendor Contact Phone: *740 4530551* Extension:

FOR INFORMATION CONTACT THE BUYER

John W Estep
 304-558-2566
 john.w.estep@wv.gov

Vendor
 Signature X

FEIN#

31-4445719

DATE

4/4/22

All offers subject to all terms and conditions contained in this solicitation

ADDITIONAL INFORMATION

ADDENDUM NO_1

Addendum No_1 issued to publish and distribute the attached information to the Vendor Community.

REQUEST FOR QUOTATION:

The West Virginia Purchasing Division is soliciting bids on behalf of West Virginia Department of Transportation, Division of Highways to establish an open-end contract for Henderson Product Line OEM or Equal Parts. Per the Bid Requirements, Specifications, Terms and Conditions attached to this solicitation.

INVOICE TO		SHIP TO	
VARIOUS AGENCY LOCATIONS AS INDICATED BY ORDER		STATE OF WEST VIRGINIA	
No City WV		VARIOUS LOCATIONS AS INDICATED BY ORDER	
US		No City WV	
		US	

Line	Comm Ln Desc	Qty	Unit Issue	Unit Price	Total Price
1	Snowplow attachments	0.00000	EA		

Comm Code	Manufacturer	Specification	Model #
22101710			

Extended Description:
Snowplow attachments

SCHEDULE OF EVENTS

<u>Line</u>	<u>Event</u>	<u>Event Date</u>
1	Tech Questions due bt 10:00am	2022-03-29

SOLICITATION NUMBER: CRFQ DOT2200000151

Addendum Number: 1

The purpose of this addendum is to modify the solicitation identified as CRFQ DOT2200000151 ("Solicitation") to reflect the change(s) identified and described below.

Applicable Addendum Category:

- Modify bid opening date and time
- Modify specifications of product or service being sought
- Attachment of vendor questions and responses
- Attachment of pre-bid sign-in sheet
- Correction of error
- Other

Additional Documentation:

Vendor Questions and Responses

Bid Opening remains 04/06/2022 at 1:30pm

Terms and Conditions:

1. All provisions of the Solicitation and other addenda not modified herein shall remain in full force and effect.
2. Vendor should acknowledge receipt of all addenda issued for this Solicitation by completing an Addendum Acknowledgment, a copy of which is included herewith. Failure to acknowledge addenda may result in bid disqualification. The addendum acknowledgement should be submitted with the bid to expedite document processing.

ADDENDUM 1

CRFQ DOT2200000151

HENDERSON OEM PARTS OR EQUAL

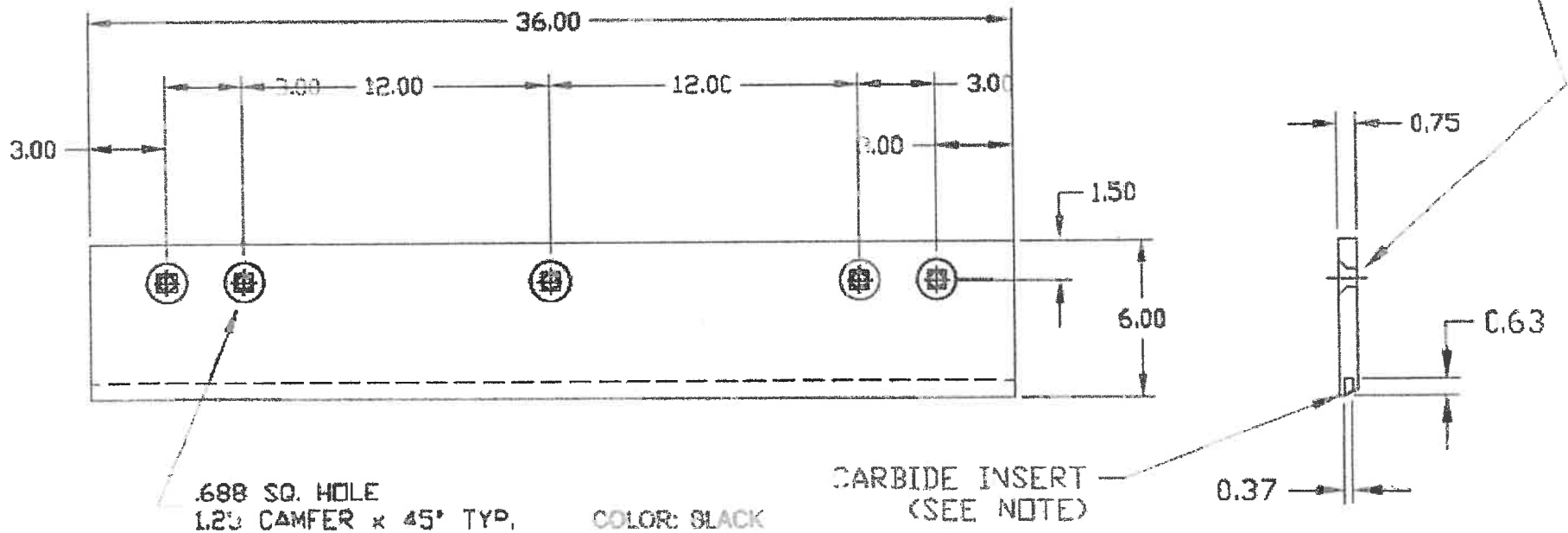
1. Question: Could I have the specs for cutting edge part #81934 please.

Answer: The schematic drawing has been attached.

TUNGSTEN CARBIDE INSERTS SPECIFICATIONS

1. INSERTS TO BE A HIGH SHOCK WC GRADE OF TUNGSTEN CARBIDE WITH 12-1/2 TO 10 PERCENT COBALT CONTENT.
DENSITY: 14.1 MIN TO 14.6 MAX
HARDNESS: 87.8 MIN 89 RA
TRANSVERSE RUPTURE STRENGTH (PSI) 350,000 MIN
2. BRAZED INSERT WITH A HIGH STRENGTH ALLOY MATERIAL.
THE BRAZE SHEAR STRENGTH TO 30,000 PSI (MIN).
THE INSERTS SHALL BE BRAZED ON ALL SIDES WITHOUT VOIDS OR USE OF SHIMS.
3. EACH BLADE SHALL CONTAIN A 1" LENGTH OF CARBIDE INSERT FOR EACH 1" LENGTH OF BLADE .NO MORE THAN .010" BETWEEN INSERTS.
4. INSET TO BE TRAPEZOIDAL IN SHAPE
LENGTH: 1" NOMINAL
WIDTH: .365" NOMINAL
HEIGHT: .63 NOMINAL

MANUFACTURER NAME & PART NO & HPI PART NO. STENCILED ON BACK, NO MORE THAN 2 1/2" FROM TOP



ADDENDUM ACKNOWLEDGEMENT FORM
SOLICITATION NO.: CRFQ DOT2200000151

Instructions: Please acknowledge receipt of all addenda issued with this solicitation by completing this addendum acknowledgment form. Check the box next to each addendum received and sign below. Failure to acknowledge addenda may result in bid disqualification.

Acknowledgment: I hereby acknowledge receipt of the following addenda and have made the necessary revisions to my proposal, plans and/or specification, etc.

Addendum Numbers Received:

(Check the box next to each addendum received)

- | | |
|--|--|
| <input checked="" type="checkbox"/> Addendum No. 1 | <input type="checkbox"/> Addendum No. 6 |
| <input type="checkbox"/> Addendum No. 2 | <input type="checkbox"/> Addendum No. 7 |
| <input type="checkbox"/> Addendum No. 3 | <input type="checkbox"/> Addendum No. 8 |
| <input type="checkbox"/> Addendum No. 4 | <input type="checkbox"/> Addendum No. 9 |
| <input type="checkbox"/> Addendum No. 5 | <input type="checkbox"/> Addendum No. 10 |

I understand that failure to confirm the receipt of addenda may be cause for rejection of this bid. I further understand that that any verbal representation made or assumed to be made during any oral discussion held between Vendor's representatives and any state personnel is not binding. Only the information issued in writing and added to the specifications by an official addendum is binding.

Ace Truck Equipment

Company


Authorized Signature
4/4/22

Date

NOTE: This addendum acknowledgment should be submitted with the bid to expedite document processing.

West Virginia Ethics Commission
Disclosure of Interested Parties to Contracts

(Required by W. Va. Code § 6D-1-2)

Name of Contracting Business Entity: Ace Truck Equipment Co. Address: 1130 Newark Rd.
Zanesville OH 43701

Name of Authorized Agent: Shawn Hampp Address: 1130 Newark Rd. Zanesville OH 43701

Contract Number: CRFQ-0803-DOT2200000151-3 Contract Description: HENDERSON PRODUCT LINE OEM PARTS OR EQUAL

Governmental agency awarding contract: 0803 - Equipment Division

Check here if this is a Supplemental Disclosure

List the Names of Interested Parties to the contract which are known or reasonably anticipated by the contracting business entity for each category below (attach additional pages if necessary):

1. Subcontractors or other entities performing work or service under the Contract

Check here if none, otherwise list entity/individual names below.

2. Any person or entity who owns 25% or more of contracting entity (not applicable to publicly traded entities)

Check here if none, otherwise list entity/individual names below.

David R. Beitzel

3. Any person or entity that facilitated, or negotiated the terms of, the applicable contract (excluding legal services related to the negotiation or drafting of the applicable contract)

Check here if none, otherwise list entity/individual names below.

Signature: [Signature] Date Signed: 4/6/22

Notary Verification

State of Ohio, County of Fairfield:

I, Shawn Hampp, the authorized agent of the contracting business entity listed above, being duly sworn, acknowledge that the Disclosure herein is being made under oath and under the penalty of perjury.

Taken, sworn to and subscribed before me this 6th day of April, 2022

[Signature]
Notary Public's Signature

To be completed by State Agency:
Date Received by State Agency: _____
Date submitted to Ethics Commission: _____
Governmental agency submitting Disclosure: _____



GENERAL TERMS AND CONDITIONS:

1. CONTRACTUAL AGREEMENT: Issuance of an Award Document signed by the Purchasing Division Director, or his designee, and approved as to form by the Attorney General's office constitutes acceptance by the State of this Contract made by and between the State of West Virginia and the Vendor. Vendor's signature on its bid, or on the Contract if the Contract is not the result of a bid solicitation, signifies Vendor's agreement to be bound by and accept the terms and conditions contained in this Contract.

2. DEFINITIONS: As used in this Solicitation/Contract, the following terms shall have the meanings attributed to them below. Additional definitions may be found in the specifications included with this Solicitation/Contract.

2.1. "Agency" or "Agencies" means the agency, board, commission, or other entity of the State of West Virginia that is identified on the first page of the Solicitation or any other public entity seeking to procure goods or services under this Contract.

2.2. "Bid" or "Proposal" means the vendors submitted response to this solicitation.

2.3. "Contract" means the binding agreement that is entered into between the State and the Vendor to provide the goods or services requested in the Solicitation.

2.4. "Director" means the Director of the West Virginia Department of Administration, Purchasing Division.

2.5. "Purchasing Division" means the West Virginia Department of Administration, Purchasing Division.

2.6. "Award Document" means the document signed by the Agency and the Purchasing Division, and approved as to form by the Attorney General, that identifies the Vendor as the contract holder.

2.7. "Solicitation" means the official notice of an opportunity to supply the State with goods or services that is published by the Purchasing Division.

2.8. "State" means the State of West Virginia and/or any of its agencies, commissions, boards, etc. as context requires.

2.9. "Vendor" or "Vendors" means any entity submitting a bid in response to the Solicitation, the entity that has been selected as the lowest responsible bidder, or the entity that has been awarded the Contract as context requires.

3. CONTRACT TERM; RENEWAL; EXTENSION: The term of this Contract shall be determined in accordance with the category that has been identified as applicable to this Contract below:

Term Contract

Initial Contract Term: This Contract becomes effective on AWARD and the initial contract term extends until ONE YEAR.

Renewal Term: This Contract may be renewed upon the mutual written consent of the Agency, and the Vendor, with approval of the Purchasing Division and the Attorney General's office (Attorney General approval is as to form only). Any request for renewal should be delivered to the Agency and then submitted to the Purchasing Division thirty (30) days prior to the expiration date of the initial contract term or appropriate renewal term. A Contract renewal shall be in accordance with the terms and conditions of the original contract. Unless otherwise specified below, renewal of this Contract is limited to THREE successive one (1) year periods or multiple renewal periods of less than one year, provided that the multiple renewal periods do not exceed the total number of months available in all renewal years combined. Automatic renewal of this Contract is prohibited. Renewals must be approved by the Vendor, Agency, Purchasing Division and Attorney General's office (Attorney General approval is as to form only)

Alternate Renewal Term – This contract may be renewed for _____ successive _____ year periods or shorter periods provided that they do not exceed the total number of months contained in all available renewals. Automatic renewal of this Contract is prohibited. Renewals must be approved by the Vendor, Agency, Purchasing Division and Attorney General's office (Attorney General approval is as to form only)

Delivery Order Limitations: In the event that this contract permits delivery orders, a delivery order may only be issued during the time this Contract is in effect. Any delivery order issued within one year of the expiration of this Contract shall be effective for one year from the date the delivery order is issued. No delivery order may be extended beyond one year after this Contract has expired.

Fixed Period Contract: This Contract becomes effective upon Vendor's receipt of the notice to proceed and must be completed within _____ days.

Fixed Period Contract with Renewals: This Contract becomes effective upon Vendor's receipt of the notice to proceed and part of the Contract more fully described in the attached specifications must be completed within _____ days. Upon completion of the work covered by the preceding sentence, the vendor agrees that maintenance, monitoring, or warranty services will be provided for _____ year(s) thereafter.

One Time Purchase: The term of this Contract shall run from the issuance of the Award Document until all of the goods contracted for have been delivered, but in no event will this Contract extend for more than one fiscal year.

Other: See attached _____
Revised 07/01/2021

4. AUTHORITY TO PROCEED: Vendor is authorized to begin performance of this contract on the date of encumbrance listed on the front page of the Award Document unless either the box for “Fixed Period Contract” or “Fixed Period Contract with Renewals” has been checked in Section 3 above. If either “Fixed Period Contract” or “Fixed Period Contract with Renewals” has been checked, Vendor must not begin work until it receives a separate notice to proceed from the State. The notice to proceed will then be incorporated into the Contract via change order to memorialize the official date that work commenced.

5. QUANTITIES: The quantities required under this Contract shall be determined in accordance with the category that has been identified as applicable to this Contract below.

Open End Contract: Quantities listed in this Solicitation/Award Document are approximations only, based on estimates supplied by the Agency. It is understood and agreed that the Contract shall cover the quantities actually ordered for delivery during the term of the Contract, whether more or less than the quantities shown.

Service: The scope of the service to be provided will be more clearly defined in the specifications included herewith.

Combined Service and Goods: The scope of the service and deliverable goods to be provided will be more clearly defined in the specifications included herewith.

One Time Purchase: This Contract is for the purchase of a set quantity of goods that are identified in the specifications included herewith. Once those items have been delivered, no additional goods may be procured under this Contract without an appropriate change order approved by the Vendor, Agency, Purchasing Division, and Attorney General’s office.

6. EMERGENCY PURCHASES: The Purchasing Division Director may authorize the Agency to purchase goods or services in the open market that Vendor would otherwise provide under this Contract if those goods or services are for immediate or expedited delivery in an emergency. Emergencies shall include, but are not limited to, delays in transportation or an unanticipated increase in the volume of work. An emergency purchase in the open market, approved by the Purchasing Division Director, shall not constitute a breach of this Contract and shall not entitle the Vendor to any form of compensation or damages. This provision does not excuse the State from fulfilling its obligations under a One Time Purchase contract.

7. REQUIRED DOCUMENTS: All of the items checked below must be provided to the Purchasing Division by the Vendor as specified below.

BID BOND (Construction Only): Pursuant to the requirements contained in W. Va. Code § 5-22-1(c), All Vendors submitting a bid on a construction project shall furnish a valid bid bond in the amount of five percent (5%) of the total amount of the bid protecting the State of West Virginia. The bid bond must be submitted with the bid.

PERFORMANCE BOND: The apparent successful Vendor shall provide a performance bond in the amount of 100% of the contract. The performance bond must be received by the Purchasing Division prior to Contract award.

LABOR/MATERIAL PAYMENT BOND: The apparent successful Vendor shall provide a labor/material payment bond in the amount of 100% of the Contract value. The labor/material payment bond must be delivered to the Purchasing Division prior to Contract award.

In lieu of the Bid Bond, Performance Bond, and Labor/Material Payment Bond, the Vendor may provide certified checks, cashier's checks, or irrevocable letters of credit. Any certified check, cashier's check, or irrevocable letter of credit provided in lieu of a bond must be of the same amount and delivered on the same schedule as the bond it replaces. A letter of credit submitted in lieu of a performance and labor/material payment bond will only be allowed for projects under \$100,000. Personal or business checks are not acceptable. Notwithstanding the foregoing, West Virginia Code § 5-22-1 (d) mandates that a vendor provide a performance and labor/material payment bond for construction projects. Accordingly, substitutions for the performance and labor/material payment bonds for construction projects is not permitted.

MAINTENANCE BOND: The apparent successful Vendor shall provide a two (2) year maintenance bond covering the roofing system. The maintenance bond must be issued and delivered to the Purchasing Division prior to Contract award.

LICENSE(S) / CERTIFICATIONS / PERMITS: In addition to anything required under the Section of the General Terms and Conditions entitled Licensing, the apparent successful Vendor shall furnish proof of the following licenses, certifications, and/or permits upon request and in a form acceptable to the State. The request may be prior to or after contract award at the State's sole discretion.

The apparent successful Vendor shall also furnish proof of any additional licenses or certifications contained in the specifications regardless of whether or not that requirement is listed above.

8. INSURANCE: The apparent successful Vendor shall furnish proof of the insurance identified by a checkmark below and must include the State as an additional insured on each policy prior to Contract award. The insurance coverages identified below must be maintained throughout the life of this contract. Thirty (30) days prior to the expiration of the insurance policies, Vendor shall provide the Agency with proof that the insurance mandated herein has been continued. Vendor must also provide Agency with immediate notice of any changes in its insurance policies, including but not limited to, policy cancelation, policy reduction, or change in insurers. The apparent successful Vendor shall also furnish proof of any additional insurance requirements contained in the specifications prior to Contract award regardless of whether that insurance requirement is listed in this section.

Vendor must maintain:

Commercial General Liability Insurance in at least an amount of: \$ 1,000,000.00 per occurrence.

Automobile Liability Insurance in at least an amount of: \$ 1,000,000.00 per occurrence.

Professional/Malpractice/Errors and Omission Insurance in at least an amount of: _____ per occurrence. Notwithstanding the forgoing, Vendor's are not required to list the State as an additional insured for this type of policy.

Commercial Crime and Third Party Fidelity Insurance in an amount of: _____ per occurrence.

Cyber Liability Insurance in an amount of: _____ per occurrence.

Builders Risk Insurance in an amount equal to 100% of the amount of the Contract.

Pollution Insurance in an amount of: _____ per occurrence.

Aircraft Liability in an amount of: _____ per occurrence.

****State of West Virginia must be listed as additional insured on insurance certificate. **Certificate holder should read as follows:****

State of West Virginia
1900 Kanawha Blvd E - Bldg 5
Charleston, WV 25305

Notwithstanding anything contained in this section to the contrary, the Director of the Purchasing Division reserves the right to waive the requirement that the State be named as an additional insured on one or more of the Vendor's insurance policies if the Director finds that doing so is in the State's best interest.

9. WORKERS' COMPENSATION INSURANCE: Vendor shall comply with laws relating to workers compensation, shall maintain workers' compensation insurance when required, and shall furnish proof of workers' compensation insurance upon request.

10. [Reserved]

11. LIQUIDATED DAMAGES: This clause shall in no way be considered exclusive and shall not limit the State or Agency's right to pursue any other available remedy. Vendor shall pay liquidated damages in the amount specified below or as described in the specifications:

_____ for _____.

Liquidated Damages Contained in the Specifications.

Liquidated Damages Are Not Included in this Contract.

12. ACCEPTANCE: Vendor's signature on its bid, or on the certification and signature page, constitutes an offer to the State that cannot be unilaterally withdrawn, signifies that the product or service proposed by vendor meets the mandatory requirements contained in the Solicitation for that product or service, unless otherwise indicated, and signifies acceptance of the terms and conditions contained in the Solicitation unless otherwise indicated.

13. PRICING: The pricing set forth herein is firm for the life of the Contract, unless specified elsewhere within this Solicitation/Contract by the State. A Vendor's inclusion of price adjustment provisions in its bid, without an express authorization from the State in the Solicitation to do so, may result in bid disqualification. Notwithstanding the foregoing, Vendor must extend any publicly advertised sale price to the State and invoice at the lower of the contract price or the publicly advertised sale price.

14. PAYMENT IN ARREARS: Payments for goods/services will be made in arrears only upon receipt of a proper invoice, detailing the goods/services provided or receipt of the goods/services, whichever is later. Notwithstanding the foregoing, payments for software maintenance, licenses, or subscriptions may be paid annually in advance.

15. PAYMENT METHODS: Vendor must accept payment by electronic funds transfer and P-Card. (The State of West Virginia's Purchasing Card program, administered under contract by a banking institution, processes payment for goods and services through state designated credit cards.)

16. TAXES: The Vendor shall pay any applicable sales, use, personal property or any other taxes arising out of this Contract and the transactions contemplated thereby. The State of West Virginia is exempt from federal and state taxes and will not pay or reimburse such taxes.

17. ADDITIONAL FEES: Vendor is not permitted to charge additional fees or assess additional charges that were not either expressly provided for in the solicitation published by the State of West Virginia, included in the Contract, or included in the unit price or lump sum bid amount that Vendor is required by the solicitation to provide. Including such fees or charges as notes to the solicitation may result in rejection of vendor's bid. Requesting such fees or charges be paid after the contract has been awarded may result in cancellation of the contract.

18. FUNDING: This Contract shall continue for the term stated herein, contingent upon funds being appropriated by the Legislature or otherwise being made available. In the event funds are not appropriated or otherwise made available, this Contract becomes void and of no effect beginning on July 1 of the fiscal year for which funding has not been appropriated or otherwise made available. If that occurs, the State may notify the Vendor that an alternative source of funding has been obtained and thereby avoid the automatic termination. Non-appropriation or non-funding shall not be considered an event of default.

19. CANCELLATION: The Purchasing Division Director reserves the right to cancel this Contract immediately upon written notice to the vendor if the materials or workmanship supplied do not conform to the specifications contained in the Contract. The Purchasing Division Director may also cancel any purchase or Contract upon 30 days written notice to the Vendor in accordance with West Virginia Code of State Rules § 148-1-5.2.b.

20. TIME: Time is of the essence regarding all matters of time and performance in this Contract.

21. APPLICABLE LAW: This Contract is governed by and interpreted under West Virginia law without giving effect to its choice of law principles. Any information provided in specification manuals, or any other source, verbal or written, which contradicts or violates the West Virginia Constitution, West Virginia Code, or West Virginia Code of State Rules is void and of no effect.

22. COMPLIANCE WITH LAWS: Vendor shall comply with all applicable federal, state, and local laws, regulations and ordinances. By submitting a bid, Vendor acknowledges that it has reviewed, understands, and will comply with all applicable laws, regulations, and ordinances.

SUBCONTRACTOR COMPLIANCE: Vendor shall notify all subcontractors providing commodities or services related to this Contract that as subcontractors, they too are required to comply with all applicable laws, regulations, and ordinances. Notification under this provision must occur prior to the performance of any work under the contract by the subcontractor.

23. ARBITRATION: Any references made to arbitration contained in this Contract, Vendor's bid, or in any American Institute of Architects documents pertaining to this Contract are hereby deleted, void, and of no effect.

24. MODIFICATIONS: This writing is the parties' final expression of intent. Notwithstanding anything contained in this Contract to the contrary no modification of this Contract shall be binding without mutual written consent of the Agency, and the Vendor, with approval of the Purchasing Division and the Attorney General's office (Attorney General approval is as to form only). Any change to existing contracts that adds work or changes contract cost, and were not included in the original contract, must be approved by the Purchasing Division and the Attorney General's Office (as to form) prior to the implementation of the change or commencement of work affected by the change.

25. WAIVER: The failure of either party to insist upon a strict performance of any of the terms or provision of this Contract, or to exercise any option, right, or remedy herein contained, shall not be construed as a waiver or a relinquishment for the future of such term, provision, option, right, or remedy, but the same shall continue in full force and effect. Any waiver must be expressly stated in writing and signed by the waiving party.

26. SUBSEQUENT FORMS: The terms and conditions contained in this Contract shall supersede any and all subsequent terms and conditions which may appear on any form documents submitted by Vendor to the Agency or Purchasing Division such as price lists, order forms, invoices, sales agreements, or maintenance agreements, and includes internet websites or other electronic documents. Acceptance or use of Vendor's forms does not constitute acceptance of the terms and conditions contained thereon.

27. ASSIGNMENT: Neither this Contract nor any monies due, or to become due hereunder, may be assigned by the Vendor without the express written consent of the Agency, the Purchasing Division, the Attorney General's office (as to form only), and any other government agency or office that may be required to approve such assignments.

28. WARRANTY: The Vendor expressly warrants that the goods and/or services covered by this Contract will: (a) conform to the specifications, drawings, samples, or other description furnished or specified by the Agency; (b) be merchantable and fit for the purpose intended; and (c) be free from defect in material and workmanship.

29. STATE EMPLOYEES: State employees are not permitted to utilize this Contract for personal use and the Vendor is prohibited from permitting or facilitating the same.

30. PRIVACY, SECURITY, AND CONFIDENTIALITY: The Vendor agrees that it will not disclose to anyone, directly or indirectly, any such personally identifiable information or other confidential information gained from the Agency, unless the individual who is the subject of the information consents to the disclosure in writing or the disclosure is made pursuant to the Agency's policies, procedures, and rules. Vendor further agrees to comply with the Confidentiality Policies and Information Security Accountability Requirements, set forth in <http://www.state.wv.us/admin/purchase/privacy/default.html>.

31. YOUR SUBMISSION IS A PUBLIC DOCUMENT: Vendor's entire response to the Solicitation and the resulting Contract are public documents. As public documents, they will be disclosed to the public following the bid/proposal opening or award of the contract, as required by the competitive bidding laws of West Virginia Code §§ 5A-3-1 et seq., 5-22-1 et seq., and 5G-1-1 et seq. and the Freedom of Information Act West Virginia Code §§ 29B-1-1 et seq.

DO NOT SUBMIT MATERIAL YOU CONSIDER TO BE CONFIDENTIAL, A TRADE SECRET, OR OTHERWISE NOT SUBJECT TO PUBLIC DISCLOSURE.

Submission of any bid, proposal, or other document to the Purchasing Division constitutes your explicit consent to the subsequent public disclosure of the bid, proposal, or document. The Purchasing Division will disclose any document labeled "confidential," "proprietary," "trade secret," "private," or labeled with any other claim against public disclosure of the documents, to include any "trade secrets" as defined by West Virginia Code § 47-22-1 et seq. All submissions are subject to public disclosure without notice.

32. LICENSING: In accordance with West Virginia Code of State Rules § 148-1-6.1.e, Vendor must be licensed and in good standing in accordance with any and all state and local laws and requirements by any state or local agency of West Virginia, including, but not limited to, the West Virginia Secretary of State's Office, the West Virginia Tax Department, West Virginia Insurance Commission, or any other state agency or political subdivision. Obligations related to political subdivisions may include, but are not limited to, business licensing, business and occupation taxes, inspection compliance, permitting, etc. Upon request, the Vendor must provide all necessary releases to obtain information to enable the Purchasing Division Director or the Agency to verify that the Vendor is licensed and in good standing with the above entities.

SUBCONTRACTOR COMPLIANCE: Vendor shall notify all subcontractors providing commodities or services related to this Contract that as subcontractors, they too are required to be licensed, in good standing, and up-to-date on all state and local obligations as described in this section. Obligations related to political subdivisions may include, but are not limited to, business licensing, business and occupation taxes, inspection compliance, permitting, etc. Notification under this provision must occur prior to the performance of any work under the contract by the subcontractor.

33. ANTITRUST: In submitting a bid to, signing a contract with, or accepting a Award Document from any agency of the State of West Virginia, the Vendor agrees to convey, sell, assign, or transfer to the State of West Virginia all rights, title, and interest in and to all causes of action it may now or hereafter acquire under the antitrust laws of the United States and the State of West Virginia for price fixing and/or unreasonable restraints of trade relating to the particular commodities or services purchased or acquired by the State of West Virginia. Such assignment shall be made and become effective at the time the purchasing agency tenders the initial payment to Vendor.

34. VENDOR CERTIFICATIONS: By signing its bid or entering into this Contract, Vendor certifies (1) that its bid or offer was made without prior understanding, agreement, or connection with any corporation, firm, limited liability company, partnership, person or entity submitting a bid or offer for the same material, supplies, equipment or services; (2) that its bid or offer is in all respects fair and without collusion or fraud; (3) that this Contract is accepted or entered into without any prior understanding, agreement, or connection to any other entity that could be considered a violation of law; and (4) that it has reviewed this Solicitation in its entirety; understands the requirements, terms and conditions, and other information contained herein.

Vendor's signature on its bid or offer also affirms that neither it nor its representatives have any interest, nor shall acquire any interest, direct or indirect, which would compromise the performance of its services hereunder. Any such interests shall be promptly presented in detail to the Agency. The individual signing this bid or offer on behalf of Vendor certifies that he or she is authorized by the Vendor to execute this bid or offer or any documents related thereto on Vendor's behalf; that he or she is authorized to bind the Vendor in a contractual relationship; and that, to the best of his or her knowledge, the Vendor has properly registered with any State agency that may require registration.

35. VENDOR RELATIONSHIP: The relationship of the Vendor to the State shall be that of an independent contractor and no principal-agent relationship or employer-employee relationship is contemplated or created by this Contract. The Vendor as an independent contractor is solely liable for the acts and omissions of its employees and agents. Vendor shall be responsible for selecting, supervising, and compensating any and all individuals employed pursuant to the terms of this Solicitation and resulting contract. Neither the Vendor, nor any employees or subcontractors of the Vendor, shall be deemed to be employees of the State for any purpose whatsoever. Vendor shall be exclusively responsible for payment of employees and contractors for all wages and salaries, taxes, withholding payments, penalties, fees, fringe benefits, professional liability insurance premiums, contributions to insurance and pension, or other deferred compensation plans, including but not limited to, Workers' Compensation and Social Security obligations, licensing fees, etc. and the filing of all necessary documents, forms, and returns pertinent to all of the foregoing.

Vendor shall hold harmless the State, and shall provide the State and Agency with a defense against any and all claims including, but not limited to, the foregoing payments, withholdings, contributions, taxes, Social Security taxes, and employer income tax returns.

36. INDEMNIFICATION: The Vendor agrees to indemnify, defend, and hold harmless the State and the Agency, their officers, and employees from and against: (1) Any claims or losses for services rendered by any subcontractor, person, or firm performing or supplying services, materials, or supplies in connection with the performance of the Contract; (2) Any claims or losses resulting to any person or entity injured or damaged by the Vendor, its officers, employees, or subcontractors by the publication, translation, reproduction, delivery, performance, use, or disposition of any data used under the Contract in a manner not authorized by the Contract, or by Federal or State statutes or regulations; and (3) Any failure of the Vendor, its officers, employees, or subcontractors to observe State and Federal laws including, but not limited to, labor and wage and hour laws.

37. PURCHASING AFFIDAVIT: In accordance with West Virginia Code §§ 5A-3-10a and 5-22-1(i), the State is prohibited from awarding a contract to any bidder that owes a debt to the State or a political subdivision of the State, Vendors are required to sign, notarize, and submit the Purchasing Affidavit to the Purchasing Division affirming under oath that it is not in default on any monetary obligation owed to the state or a political subdivision of the state.

38. CONFLICT OF INTEREST: Vendor, its officers or members or employees, shall not presently have or acquire an interest, direct or indirect, which would conflict with or compromise the performance of its obligations hereunder. Vendor shall periodically inquire of its officers, members and employees to ensure that a conflict of interest does not arise. Any conflict of interest discovered shall be promptly presented in detail to the Agency.

39. REPORTS: Vendor shall provide the Agency and/or the Purchasing Division with the following reports identified by a checked box below:

Such reports as the Agency and/or the Purchasing Division may request. Requested reports may include, but are not limited to, quantities purchased, agencies utilizing the contract, total contract expenditures by agency, etc.

Quarterly reports detailing the total quantity of purchases in units and dollars, along with a listing of purchases by agency. Quarterly reports should be delivered to the Purchasing Division via email at purchasing.division@wv.gov.

40. BACKGROUND CHECK: In accordance with W. Va. Code § 15-2D-3, the State reserves the right to prohibit a service provider's employees from accessing sensitive or critical information or to be present at the Capitol complex based upon results addressed from a criminal background check. Service providers should contact the West Virginia Division of Protective Services by phone at (304) 558-9911 for more information.

41. PREFERENCE FOR USE OF DOMESTIC STEEL PRODUCTS: Except when authorized by the Director of the Purchasing Division pursuant to W. Va. Code § 5A-3-56, no contractor may use or supply steel products for a State Contract Project other than those steel products made in the United States. A contractor who uses steel products in violation of this section may be subject to civil penalties pursuant to W. Va. Code § 5A-3-56. As used in this section:

- a. "State Contract Project" means any erection or construction of, or any addition to, alteration of or other improvement to any building or structure, including, but not limited to, roads or highways, or the installation of any heating or cooling or ventilating plants or other equipment, or the supply of and materials for such projects, pursuant to a contract with the State of West Virginia for which bids were solicited on or after June 6, 2001.
- b. "Steel Products" means products rolled, formed, shaped, drawn, extruded, forged, cast, fabricated or otherwise similarly processed, or processed by a combination of two or more or such operations, from steel made by the open heath, basic oxygen, electric furnace, Bessemer or other steel making process.
- c. The Purchasing Division Director may, in writing, authorize the use of foreign steel products if:

1. The cost for each contract item used does not exceed one tenth of one percent (.1%) of the total contract cost or two thousand five hundred dollars (\$2,500.00), whichever is greater. For the purposes of this section, the cost is the value of the steel product as delivered to the project; or
2. The Director of the Purchasing Division determines that specified steel materials are not produced in the United States in sufficient quantity or otherwise are not reasonably available to meet contract requirements.

42. PREFERENCE FOR USE OF DOMESTIC ALUMINUM, GLASS, AND STEEL: In Accordance with W. Va. Code § 5-19-1 et seq., and W. Va. CSR § 148-10-1 et seq., for every contract or subcontract, subject to the limitations contained herein, for the construction, reconstruction, alteration, repair, improvement or maintenance of public works or for the purchase of any item of machinery or equipment to be used at sites of public works, only domestic aluminum, glass or steel products shall be supplied unless the spending officer determines, in writing, after the receipt of offers or bids, (1) that the cost of domestic aluminum, glass or steel products is unreasonable or inconsistent with the public interest of the State of West Virginia, (2) that domestic aluminum, glass or steel products are not produced in sufficient quantities to meet the contract requirements, or (3) the available domestic aluminum, glass, or steel do not meet the contract specifications. This provision only applies to public works contracts awarded in an amount more than fifty thousand dollars (\$50,000) or public works contracts that require more than ten thousand pounds of steel products.

The cost of domestic aluminum, glass, or steel products may be unreasonable if the cost is more than twenty percent (20%) of the bid or offered price for foreign made aluminum, glass, or steel products. If the domestic aluminum, glass or steel products to be supplied or produced in a "substantial labor surplus area", as defined by the United States Department of Labor, the cost of domestic aluminum, glass, or steel products may be unreasonable if the cost is more than thirty percent (30%) of the bid or offered price for foreign made aluminum, glass, or steel products. This preference shall be applied to an item of machinery or equipment, as indicated above, when the item is a single unit of equipment or machinery manufactured primarily of aluminum, glass or steel, is part of a public works contract and has the sole purpose or of being a permanent part of a single public works project. This provision does not apply to equipment or machinery purchased by a spending unit for use by that spending unit and not as part of a single public works project.

All bids and offers including domestic aluminum, glass or steel products that exceed bid or offer prices including foreign aluminum, glass or steel products after application of the preferences provided in this provision may be reduced to a price equal to or lower than the lowest bid or offer price for foreign aluminum, glass or steel products plus the applicable preference. If the reduced bid or offer prices are made in writing and supersede the prior bid or offer prices, all bids or offers, including the reduced bid or offer prices, will be reevaluated in accordance with this rule.

43. INTERESTED PARTY SUPPLEMENTAL DISCLOSURE: W. Va. Code § 6D-1-2 requires that for contracts with an actual or estimated value of at least \$1 million, the vendor must submit to the Agency a supplemental disclosure of interested parties reflecting any new or differing interested parties to the contract, which were not included in the original pre-award interested party disclosure, within 30 days following the completion or termination of the contract. A copy of that form is included with this solicitation or can be obtained from the WV Ethics Commission. This requirement does not apply to publicly traded companies listed on a national or international stock exchange. A more detailed definition of interested parties can be obtained from the form referenced above.

44. PROHIBITION AGAINST USED OR REFURBISHED: Unless expressly permitted in the solicitation published by the State, Vendor must provide new, unused commodities, and is prohibited from supplying used or refurbished commodities, in fulfilling its responsibilities under this Contract.

45. VOID CONTRACT CLAUSES – This Contract is subject to the provisions of West Virginia Code § 5A-3-62, which automatically voids certain contract clauses that violate State law.

DESIGNATED CONTACT: Vendor appoints the individual identified in this Section as the Contract Administrator and the initial point of contact for matters relating to this Contract.

SHAWN HAMPP Parts Manager / Contract Manager
(Name, Title)
Shawn Hampp Parts Manager / Contract Manager
(Printed Name and Title)
1130 Newark Rd
(Address)
Zanesville, OH 43701
(Phone Number) / (Fax Number)
shawn@acetruck.net
(email address)

CERTIFICATION AND SIGNATURE: By signing below, or submitting documentation through wvOASIS, I certify that: I have reviewed this Solicitation in its entirety; that I understand the requirements, terms and conditions, and other information contained herein; that this bid, offer or proposal constitutes an offer to the State that cannot be unilaterally withdrawn; that the product or service proposed meets the mandatory requirements contained in the Solicitation for that product or service, unless otherwise stated herein; that the Vendor accepts the terms and conditions contained in the Solicitation, unless otherwise stated herein; that I am submitting this bid, offer or proposal for review and consideration; that I am authorized by the vendor to execute and submit this bid, offer, or proposal, or any documents related thereto on vendor's behalf; that I am authorized to bind the vendor in a contractual relationship; and that to the best of my knowledge, the vendor has properly registered with any State agency that may require registration.

By signing below, I further certify that I understand this Contract is subject to the provisions of West Virginia Code § 5A-3-62, which automatically voids certain contract clauses that violate State law.

Ace Truck Equipment
(Company)
SHAWN HAMPP Parts Manager / Contract Manager
(Authorized Signature) (Representative Name, Title)
Shawn Hampp Parts Manager / Contract Manager
(Printed Name and Title of Authorized Representative)
4/4/22
(Date)
(740) 487-0867 / (740) 454-1053
(Phone Number) (Fax Number)

VENDOR: Ace Truck Equipment__ HENDERSON OEM PARTS or EQUAL - Pricing Page

Discount Percentage** 0.00% (Please enter as a negative. Example discount of 5% should be -5.0%)

Markup Percentage** 3.00%

(Only 1 of these fields should be marked)

Item No.	OEM Part number	"Or Equal" Parts	Estimated Unit Quantity	Unit (for calculation purposes)	Catalog Unit Price	Units Provided for Catalog Price	**Discount/Markup** Percentage	Adjusted Unit Price	Item Total Cost
1	Part No. 151110 Description: Cylinder	Part No. Description:	8	EA	\$ 1,696.00	1.00	3.00%	\$ 1,746.88	\$13,975.04
2	Part No. 76454 Description: Air Valve	Part No. Description:	12	EA	\$ 98.50	1.00	3.00%	\$ 101.46	\$1,217.46
3	Part No. 76848 Description: Air Chamber	Part No. Description:	12	EA	\$ 70.00	1.00	3.00%	\$ 72.10	\$865.20
4	Part No. 131146 Description: Density Meter Assy	Part No. 174679 New Henderson PN# Description:	15	EA	\$ 6,643.00	1.00	3.00%	\$ 6,842.29	\$102,634.35
5	Part No. 84394 Description: Sprocket	Part No. Description:	15	EA	\$ 34.50	1.00	3.00%	\$ 35.54	\$533.03
6	Part No. 81867 Description: Cylinder	Part No. Description:	8	EA	\$ 415.00	1.00	3.00%	\$ 427.45	\$3,419.60
7	Part No. 122250 Description: Moldboard	Part No. Description:	20	EA	\$ 5,289.75	1.00	3.00%	\$ 5,448.44	\$108,968.85
8	Part No. 122194 Description: Hitch Weldment	Part No. Description:	14	EA	\$ 631.00	1.00	3.00%	\$ 649.93	\$9,099.02

Item No.	OEM Part number	"Or Equal" Parts	Estimated Unit Quantity	Unit (for calculation purposes)	Catalog Unit Price	Units Provided for Catalog Price	**Discount/Markup** Percentage	Adjusted Unit Price	Item Total Cost
9	Part No. 107802 Description: Flowmeter	Part No. Description:	24	EA	\$ 772.00	1.00	3.00%	\$ 795.16	\$19,083.84
10	Part No. 0151-9200C Description: Pump Casing	Part No. 107387J Henderson PN# Description:	10	EA	\$ 406.00	1.00	3.00%	\$ 418.18	\$4,181.80
11	Part No. 0511-2501 Description: Shaft	Part No. N/A Description:	20	EA	\$ -	1.00	3.00%	\$ -	\$0.00
12	Part No. 2000-0010 Description: Ball Bearing	Part No. N/A Description:	12	EA	\$ -	1.00	3.00%	\$ -	\$0.00
13	Part No. 0151-2500C Description: Motor Body	Part No. 107387H Individual Parts N/A must purchase complete motor Description:	6	EA	\$ 1,043.00	1.00	3.00%	\$ 1,074.29	\$6,445.74
14	Part No. 81934 Description: Cutting Edge	Part No. Description:	24	EA	\$ 260.00	1.00	3.00%	\$ 267.80	\$6,427.20
15	Part No. 81942 Description: Cutting Edge	Part No. Description:	24	EA	\$ 202.00	1.00	3.00%	\$ 208.06	\$4,993.44
Total Bid Cost									\$281,844.57

CONTRACT MANAGER: Shawn Hampp

TELEPHONE NUMBER: 740-487-0867

FAX NUMBER: 740-454-1053

E-MAIL ADDRESS: shawn@acetruck.net

STATE OF WEST VIRGINIA
Purchasing Division

PURCHASING AFFIDAVIT

CONSTRUCTION CONTRACTS: Under W. Va. Code § 5-22-1(i), the contracting public entity shall not award a construction contract to any bidder that is known to be in default on any monetary obligation owed to the state or a political subdivision of the state, including, but not limited to, obligations related to payroll taxes, property taxes, sales and use taxes, fire service fees, or other fines or fees.

ALL CONTRACTS: Under W. Va. Code §5A-3-10a, no contract or renewal of any contract may be awarded by the state or any of its political subdivisions to any vendor or prospective vendor when the vendor or prospective vendor or a related party to the vendor or prospective vendor is a debtor and: (1) the debt owed is an amount greater than one thousand dollars in the aggregate; or (2) the debtor is in employer default.

EXCEPTION: The prohibition listed above does not apply where a vendor has contested any tax administered pursuant to chapter eleven of the W. Va. Code, workers' compensation premium, permit fee or environmental fee or assessment and the matter has not become final or where the vendor has entered into a payment plan or agreement and the vendor is not in default of any of the provisions of such plan or agreement.

DEFINITIONS:

"Debt" means any assessment, premium, penalty, fine, tax or other amount of money owed to the state or any of its political subdivisions because of a judgment, fine, permit violation, license assessment, defaulted workers' compensation premium, penalty or other assessment presently delinquent or due and required to be paid to the state or any of its political subdivisions, including any interest or additional penalties accrued thereon.

"Employer default" means having an outstanding balance or liability to the old fund or to the uninsured employers' fund or being in policy default, as defined in W. Va. Code § 23-2c-2, failure to maintain mandatory workers' compensation coverage, or failure to fully meet its obligations as a workers' compensation self-insured employer. An employer is not in employer default if it has entered into a repayment agreement with the Insurance Commissioner and remains in compliance with the obligations under the repayment agreement.

"Related party" means a party, whether an individual, corporation, partnership, association, limited liability company or any other form or business association or other entity whatsoever, related to any vendor by blood, marriage, ownership or contract through which the party has a relationship of ownership or other interest with the vendor so that the party will actually or by effect receive or control a portion of the benefit, profit or other consideration from performance of a vendor contract with the party receiving an amount that meets or exceed five percent of the total contract amount.

AFFIRMATION: By signing this form, the vendor's authorized signer affirms and acknowledges under penalty of law for false swearing (*W. Va. Code §61-5-3*) that: (1) for construction contracts, the vendor is not in default on any monetary obligation owed to the state or a political subdivision of the state, and (2) for all other contracts, that neither vendor nor any related party owe a debt as defined above and that neither vendor nor any related party are in employer default as defined above, unless the debt or employer default is permitted under the exception above.

WITNESS THE FOLLOWING SIGNATURE:

Vendor's Name: Ace Truck Equipment

Authorized Signature: [Signature] Date: 4/4/22

State of Ohio

County of Muskingum, to-wit:

Taken, subscribed, and sworn to before me this 4th day of April, 2022.

My Commission expires September 20, 2023.

Sarah A Hampp

Notary Public - Ohio
My Commission Expires
September 20, 2023

NOTARY PUBLIC [Signature]



REQUEST FOR QUOTATION
Henderson Product Line OEM or Equal Parts

SPECIFICATIONS

1. **PURPOSE AND SCOPE:** The West Virginia Purchasing Division is soliciting bids on behalf of West Virginia Department of Transportation, Division of Highways to establish an open-end contract for Henderson Product Line OEM or Equal Parts.
2. **DEFINITIONS:** The terms listed below shall have the meanings assigned to them below. Additional definitions can be found in section 2 of the General Terms and Conditions.
 - 2.1 **“Adjusted Unit Price”** means the Unit Price either reduced by the Discount Percentage or increased by the Markup Percentage.
 - 2.2 **“Attachment”** or **“Attachments”** means any device that is not integrated to the original manufacturers design that modifies or expands the range of tasks that can be done by the equipment or motor vehicle; or alters the capacity, stability, or operation of that equipment or motor vehicle.
 - 2.3 **“Catalog”** means the current price list or sales catalog that includes Contract Item or Contract Items that the Vendor can and will sell under this Contract.
 - 2.4 **“Catalog Unit Price”** means the lowest price listed for a Contract Item in Vendors Current Catalog.
 - 2.5 **“Contract Item”** or **“Contract Items”** means the list of items identified in Section 3.1 below and on the Pricing Pages.
 - 2.6 **“Discount Percentage”** means the percentage discount that Vendor will apply to all Agency purchases of Contract Item or Contract Items.
 - 2.7 **“OEM”** or **“Original Equipment Manufacturer”** means the Manufacturer or Manufacturers involved in the original assembly.
 - 2.8 **“Or Equal”** means Contract Item or Items must meet or exceed the Original Equipment Manufacturers (OEM) standards in form, fit and function.
 - 2.9 **“Markup Percentage”** means the percentage markup that Vendor will apply to all Agency purchases of Contract Item or Contract Items.
 - 2.10 **“Part”** or **“Parts”** means any system, part, or component of equipment or motor vehicle as originally manufactured; or any similar part or component manufactured or sold for replacement or improvement of a system, part, or component, or as an accessory to equipment or motor vehicle.

REQUEST FOR QUOTATION
Henderson Product Line OEM or Equal Parts

- 2.11 “Pricing Pages”** means the schedule of prices, estimated order quantity, and totals contained in wvOASIS or attached hereto as Exhibit A, and used to evaluate the Solicitation responses.
- 2.12 “Solicitation”** means the official notice of an opportunity to supply the State with goods or services that is published by the Purchasing Division.
- 2.13 “Total Bid Cost”** means the sum of the bid total column.

3. GENERAL REQUIREMENTS:

- 3.1 Contract Items and Mandatory Requirements:** Vendor shall provide Agency with the Contract Items listed below on an open-end and continuing basis. Contract Items must meet or exceed the mandatory requirements as shown below.

3.1.1 Henderson Product Line OEM Parts

- 3.1.1.1** Contract Items must be Henderson Product Line “OEM” or Equal Parts.
- 3.1.1.2** Contract items must be compatible with all Henderson FSMX8X, FSH9, FSH13, VBOX, Wing, RSP11, 1036FTST, RSP36FTST, RP1136PTST, 10X336, RSP10, RSP11, Reversible, Xtream, LASX makes and models up to and including the current year.
- 3.1.1.3** Vendor must bid straight Henderson “OEM” product line or straight “or equal” product line.
- 3.1.1.3.1** Vendor may submit multiple bids so long as the two product lines are not represented in a single bid.
- 3.1.1.4** If bidding an “or Equal” product line, Vendor should provide written certification from the Manufacturer with bid, and will be required prior to award, that product line is completely compatible and interchangeable in form, fit and function with the “OEM” product line.
- 3.1.1.5** If bidding an “or Equal” product line with non “OEM” part numbers, Vendor must provide a complete written

REQUEST FOR QUOTATION
Henderson Product Line OEM or Equal Parts

cross reference of their product line numbers as they coincide with the "OEM" product line numbers.

- 3.1.1.6 If bidding an "or Equal" product line, Vendor must be able to supply a contract item for each "OEM" contract item.
- 3.1.1.7 If bidding an "or Equal" product line, the Vendor must be able to supply product warranty comparable with "OEM" product line warranty.
- 3.1.1.8 Vendor shall furnish any consulting services which might be needed in the proper installation of these parts at no additional cost to the West Virginia Division of Highways.
- 3.1.1.9 Concurrently with each shipment, Vendor shall forward a proper and current material safety data sheet ("MSDS") on hazardous materials only, to the West Virginia Division of Highways, Equipment Division, P O Box 610, Buckhannon, West Virginia 26201.
- 3.1.2 This contract shall exclude the purchase of any "**Attachment or Attachments**" that may be listed within the manufacturer's catalog.
- 3.1.3 Vendor will assume all responsibility of core exchanges associated with Contract items in a fair and reasonable amount of time. Failure to abide by terms may lead to cancellation of this Contract

4. CONTRACT AWARD, PRICING PAGES, DISCOUNT/MARKUP PERCENTAGE:

- 4.1 **Contract Award:** The Contract is intended to provide Agency with a purchase price on all Contract Items. The Contract shall be awarded to the Vendor that provides the Contract Items meeting the required specifications for the lowest overall Total Bid Cost as shown on the Pricing Pages.
- 4.2 **Discount Percentage:** Vendor may quote a single Discount Percentage that will reduce the lowest price shown in the Catalog for every Contract Item.

REQUEST FOR QUOTATION
Henderson Product Line OEM or Equal Parts

The resulting Adjusted Unit Price shall be the price Agency pay for purchases of that Contract Item under this Contract.

Vendor shall not incorporate Discount Percentages into its Catalog unless the Vendor clearly shows the Catalog Price and then separately lists the applicable Discount Percentage and the Adjusted Unit Price for each Contract Item.

The Discount Percentage and subsequent Adjusted Unit Price derived from that discount must consider all fees, charges, or other miscellaneous costs that the Vendor may require, including delivery charges as indicated below, because those fees, charges, or other miscellaneous costs will not be paid separately. The Agency shall only pay the appropriate Adjusted Unit Price for items purchased under this Contract.

- 4.3 Markup Percentage:** Vendor may quote a single Markup Percentage that will increase the lowest price shown in the Catalog for every Contract Item. The resulting Adjusted Unit Price shall be the price Agency pay for purchases of that Contract Item under this Contract.

Vendor shall not incorporate Markup Percentages into its Catalog unless the Vendor clearly shows the Catalog Price and then separately lists the applicable Markup Percentage and the Adjusted Unit Price for each Contract Item.

The Markup Percentage and subsequent Adjusted Unit Price derived from that markup must consider all fees, charges, or other miscellaneous costs that the Vendor may require, including delivery charges as indicated below, because those fees, charges, or other miscellaneous costs will not be paid separately. The Agency shall only pay the appropriate Adjusted Unit Price for items purchased under this Contract.

Vendor shall only quote either a Discount Percentage or a Markup Percentage per Solicitation. If a solicitation response contains both a Discount Percentage and a Markup Percentage for the same bid response, the bid response will be disqualified.

- 4.4 Pricing Pages:** Vendor shall complete the Pricing Pages by inserting either a Discount Percentage or a Markup Percentage. Vendor should insert the Catalog Unit Price from Vendor's current catalog for each of the items listed. Vendor's bidding an "or Equal" product line must reference their part number for each of the "OEM" part numbers as they coincide on the Pricing Pages. Vendor should complete the Pricing Pages in their entirety as failure to do so may result in Vendor's bids being disqualified.

REQUEST FOR QUOTATION
Henderson Product Line OEM or Equal Parts

The Pricing Pages contain a list of the Contract Items and estimated purchase volume. All Contract Items contained on the Pricing Pages shall be bid as “NEW”. Rebuilt or reconditioned pricing will not be accepted for bidding purposes. The estimated purchase volume for each item represents the approximate volume of anticipated purchases only. No future use of the Contract or any individual item is guaranteed or implied.

Vendors are **strongly encouraged** to complete the Pricing Pages through WVOasis or electronically in Microsoft Excel. Doing so will reduce the number of, and the possibility for calculation errors. The Pricing Pages were created as a Microsoft Excel document and Vendor can request an electronic copy for bid purposes by sending an email request to the following address: John.W.Estep@wv.gov

The Purchasing Division reserves the right to take Vendor’s Pricing Pages and insert the appropriate numbers into the Microsoft Excel spreadsheet if Vendor chooses to complete the Pricing Pages in any other way.

PLEASE READ THIS SECTION IN IT’S ENTIRETY IF VENDOR IS SUBMITTING AN ELECTRONIC BID:

Vendor MUST complete the ATTACHED Pricing Page, Exhibit A. If bidding electronically, Vendor is to put \$0.00 on the commodity line in WVOasis, complete the Excel pricing page, and upload into WVOasis as an attachment. Only pricing submitted via Exhibit A pricing page will be evaluated for award.

5. CATALOG

- 5.1 Submission:** Vendor should submit its Catalog with bid but must submit it prior to award of this contract for evaluation purposes. Vendor shall also mail the Catalog free of charge to any Agency desiring to use this contract. Copies of the Catalog may be requested in an electronic format and should be provided in that format if possible. Vendor’s Catalog will be used by Agencies to order Contract Items under this Contract.

Vendor should identify all items listed on the Pricing Section by circling or highlighting those items in its Catalog and earmarking or tabbing the pages for those items, to assist in the evaluation and verification of the bids and pricing. If any discrepancies exist between the Pricing Pages and the Unit

REQUEST FOR QUOTATION
Henderson Product Line OEM or Equal Parts

Price listed in the Catalog, the Unit Price shall prevail, and the Pricing Pages may be corrected by the Purchasing Division buyer for evaluation purposes.

- 5.2 Catalog Modification:** The Purchasing Division may permit Vendor to update its Catalog at each renewal date. Determination of whether or not to allow a Catalog update is at the sole discretion of the Purchasing Division. Any request by Vendor to update its Catalog must include a detailed listing of the following: (1) any Contract Items being removed, Discounted Unit Price for those items, Agencies quantity usage of those items, and total spent by the Agencies on those items; (2) any Contract Items being added to the Catalog and the Discounted Unit Price of those items; (3) all changes in the Discounted Unit Price to Contract Items, estimated usage relating to items that have changed in price, and the total impact of the price change on the State; and (4) justification for updating its Catalog. The Purchasing Division may waive the detailed listing requirements if it finds that doing so is in the best interest of the State. Unless an updated catalog is approved, the Contract Items available under this Contract and Unit Prices for those items shall remain unchanged during the term of this Contract

6. ORDERING AND PAYMENT:

- 6.1 Ordering:** Vendor shall accept orders through WVOasis, regular mail, facsimile, e-mail, or any other written form of communication. Vendor may, but is not required to, accept on-line orders through a secure internet ordering portal/website. If Vendor has the ability to accept on-line orders, it should include in its response a brief description of how Agency may utilize the on-line ordering system. Any on-line ordering system must have the capability to restrict prices and available items to conform to the Catalog originally submitted with this Solicitation. Vendor shall ensure that its on-line ordering system is properly secured prior to processing Agency orders on-line.

Vendor shall provide the Purchasing Division with access to its internet ordering portal/website, if one will be used under this contract, to allow the Purchasing Division to ensure that the requirements of this Contract are being met.

- 6.2 Payment:** Vendor shall accept payment in accordance with the payment procedures of the State of West Virginia. Methods of payment must include the West Virginia Purchasing Card. Payment in advance is not permitted under this Contract.

7. DELIVERY AND RETURN:

REQUEST FOR QUOTATION
Henderson Product Line OEM or Equal Parts

- 7.1 Delivery Time:** Vendor shall ship/deliver standard orders within five (5) working days after orders are received. Vendor shall deliver emergency orders within one (1) working day, upon the Agencies request. Vendor shall ship all orders in accordance with the above schedule and shall not hold orders until a minimum delivery quantity is met. Contract Items must be delivered to the ordering Agency attached hereto as Exhibit B.
- 7.2 Late Delivery:** The Agency placing the order under this Contract must be notified in writing if orders will be delayed for any reason. Any delay in delivery that could cause harm to an Agency will be grounds for cancellation of the delayed order, and/or obtaining the items ordered from a third party.
- Any Agency seeking to obtain items from a third party under this provision must first obtain approval of the Purchasing Division.
- 7.3 Delivery Payment/Risk of Loss:** Standard order delivery shall be F.O.B. Destination to the Agency's location. Vendor shall include the cost of standard delivery charges in its bid pricing and is not permitted to charge the Agency separately for such delivery. The Agency will pay delivery charges on all emergency orders provided that the Agency requests emergency delivery and Vendor invoices those delivery costs as a separate charge with the original freight bill attached to the invoice.
- 7.4 Return of Unacceptable Items:** If the Agency deems the Contract Items to be unacceptable, the Contract Items shall be returned to Vendor at Vendor's expense and with no restocking charge. Vendor shall either plan for the return within five (5) days of being notified that item are unacceptable or permit the Agency to arrange for the return and reimburse Agency for delivery expenses. If the original packaging cannot be utilized for the return, Vendor will supply the Agency with appropriate return packaging upon request. All returns of unacceptable items shall be F.O.B. the Agency's location. The returned product shall either be replaced, or the Agency shall receive a full credit or refund for the purchase price, at the Agency's discretion.
- 7.5 Return Due to Agency Error:** Items ordered in error by the Agency will be returned for credit within 30 days of receipt, F.O.B. Vendor's location. Vendor shall not charge a restocking fee if returned products are in a resalable condition. Items shall be deemed to be in a resalable condition if they are unused and in the original packaging. Any restocking fee for items not in a resalable condition shall be the lower of the Vendor's customary restocking fee or 5% of the total invoiced value of the returned items.

REQUEST FOR QUOTATION
Henderson Product Line OEM or Equal Parts

8. VENDOR DEFAULT:

8.1 The following shall be considered a vendor default under this Contract.

- 8.1.1** Failure to provide Contract Items in accordance with the requirements contained herein.
- 8.1.2** Failure to comply with other specifications and requirements contained herein.
- 8.1.3** Failure to comply with any laws, rules, and ordinances applicable to the Contract Services provided under this Contract.
- 8.1.4** Failure to remedy deficient performance upon request.

8.2 The following remedies shall be available to Agency upon default.

- 8.2.1** Immediate cancellation of the Contract.
- 8.2.2** Immediate cancellation of one or more release orders issued under this Contract.
- 8.2.3** Any other remedies available in law or equity.

9 MISCELLANEOUS:

- 9.2 No Substitutions:** Vendor shall supply only Contract Items submitted in response to the Solicitation unless a contract modification is approved in accordance with the provisions contained in this Contract.
- 9.3 Vendor Supply:** Vendor must carry sufficient inventory of the Contract Items being offered to fulfill its obligations under this Contract. By signing its bid, Vendor certifies that it can supply the Contract Items contained in its bid response.

REQUEST FOR QUOTATION
Henderson Product Line OEM or Equal Parts

- 9.4 Reports:** Vendor shall provide quarterly reports and annual summaries to the Agency showing the Agency's items purchased, quantities of items purchased, and total dollar value of the items purchased. Vendor shall also provide reports, upon request, showing the items purchased during the term of this Contract, the quantity purchased for each of those items, and the total value of purchases for each of those items. Failure to supply such reports may be grounds for cancellation of this Contract.
- 9.5 Contract Manager:** During its performance of this Contract, Vendor must designate and maintain a primary contract manager responsible for overseeing Vendor's responsibilities under this Contract. The Contract manager must be available during normal business hours to address any customer service or other issues related to this Contract. Vendor should list its Contract manager and his or her contact information below.

Contract Manager: Shawn Hampp
Telephone Number: (740) 487-0867
Fax Number: (740) 454-1053
Email Address: Shawn@ccetruck.net