



The following documentation is an electronically-submitted vendor response to an advertised solicitation from the *West Virginia Purchasing Bulletin* within the Vendor Self-Service portal at *wvOASIS.gov*. As part of the State of West Virginia's procurement process, and to maintain the transparency of the bid-opening process, this documentation submitted online is publicly posted by the West Virginia Purchasing Division at *WVPurchasing.gov* with any other vendor responses to this solicitation submitted to the Purchasing Division in hard copy format.

Header 9

List View

- General Information**
- Contact
- Default Values
- Discount
- Document Information
- Clarification Request

Procurement Folder: 1036007

Procurement Type: Central Purchase Order

Vendor ID:

Legal Name: GRAYBAR ELECTRIC CO INC

Alias/DBA:

Total Bid: \$55,081.08

Response Date:

Response Time:

Responded By User ID:

First Name:

Last Name:

Email:

Phone:

SO Doc Code: CRFQ

SO Dept: 0403

SO Doc ID: DBS2200000009

Published Date: 5/3/22

Close Date: 5/18/22

Close Time: 13:30

Status: Closed

Solicitation Description:

Total of Header Attachments: 9

Total of All Attachments: 9



Department of Administration
 Purchasing Division
 2019 Washington Street East
 Post Office Box 50130
 Charleston, WV 25305-0130

**State of West Virginia
 Solicitation Response**

Proc Folder: 1036007
Solicitation Description: Various Light Fixtures and Supplies
Proc Type: Central Purchase Order

Solicitation Closes	Solicitation Response	Version
2022-05-18 13:30	SR 0403 ESR05182200000007268	1

VENDOR
 000000103427
 GRAYBAR ELECTRIC CO INC

Solicitation Number: CRFQ 0403 DBS2200000009
Total Bid: 55081.08000000000174622982740 **Response Date:** 2022-05-18 **Response Time:** 12:19:47
Comments:

FOR INFORMATION CONTACT THE BUYER

Joseph E Hager III
 (304) 558-2306
 joseph.e.hageriii@wv.gov

Vendor Signature X **FEIN#** **DATE**

All offers subject to all terms and conditions contained in this solicitation

Line	Comm Ln Desc	Qty	Unit Issue	Unit Price	Ln Total Or Contract Amount
1	Lithonia light fixture, 2GTL-4-72L-EZ1-LP835 Lensed LE	330.00000	EA	94.400000	31152.00

Comm Code	Manufacturer	Specification	Model #
39110000			

Commodity Line Comments: Quoting alternate spec Columbia Lighting LJT24-35VLG-FSA12-ED1U
Delivery days are in business days

Extended Description:

Lithonia light fixture, 2GTL-4-72L-EZ1-LP835 Lensed LED, or equal

Line	Comm Ln Desc	Qty	Unit Issue	Unit Price	Ln Total Or Contract Amount
2	Lithonia light fixture, 2GTL-4-72L-EZ1-EL14L-LP835	40.00000	EA	248.000000	9920.00

Comm Code	Manufacturer	Specification	Model #
39110000			

Commodity Line Comments: Quoting alternate spec Columbia Lighting LJT24-35VLG-FSA12-ED1U-ELL14
Delivery days are in business days

Extended Description:

Lithonia light fixture, 2GTL-4-72L-EZ1-EL14L-LP835, or Equal

Line	Comm Ln Desc	Qty	Unit Issue	Unit Price	Ln Total Or Contract Amount
3	Lithonia light fixture, 2GTL-2-48L-EZ1-LP835, or equal	60.00000	EA	122.000000	7320.00

Comm Code	Manufacturer	Specification	Model #
39110000			

Commodity Line Comments: Quoting alternate spec Columbia Lighting LJT22-35VLG-FSA12-ED1U
Delivery days are in business days

Extended Description:

Lithonia light fixture, 2GTL-2-48L-EZ1-LP835, or equal

Line	Comm Ln Desc	Qty	Unit Issue	Unit Price	Ln Total Or Contract Amount
4	Lithonia light fixture, 2GTL-2-48L-EZ1-E14L-LP835,	10.00000	EA	276.000000	2760.00

Comm Code	Manufacturer	Specification	Model #
39110000			

Commodity Line Comments: Quoting alternate spec Columbia Lighting LJT22-35VLG-FSA12-ED1U-ell14
Delivery days are in business days

Extended Description:

Lithonia light fixture, 2GTL-2-48L-EZ1-E14L-LP835, or equal

Line	Comm Ln Desc	Qty	Unit Issue	Unit Price	Ln Total Or Contract Amount
5	Wire, 14ga THHN, Gray (500' Spool)	2.00000	EA	82.090000	164.18

Comm Code	Manufacturer	Specification	Model #
39110000			

Commodity Line Comments:**Extended Description:**

Wire, 14ga THHN, Gray (500' Spool)

Line	Comm Ln Desc	Qty	Unit Issue	Unit Price	Ln Total Or Contract Amount
6	Wire, 14ga THHN, Purple (500' Spool)	2.00000	EA	82.090000	164.18

Comm Code	Manufacturer	Specification	Model #
39110000			

Commodity Line Comments:**Extended Description:**

Wire, 14ga THHN, Purple (500' Spool)

Line	Comm Ln Desc	Qty	Unit Issue	Unit Price	Ln Total Or Contract Amount
7	Ground wire pigtails with ground screws (Pack of 50)	2.00000	EA	30.270000	60.54

Comm Code	Manufacturer	Specification	Model #
39110000			

Commodity Line Comments:**Extended Description:**

Ground wire pigtails with ground screws (Pack of 50)

Line	Comm Ln Desc	Qty	Unit Issue	Unit Price	Ln Total Or Contract Amount
8	Lutron, DBSTV-IV, Diva 8AMP, Dimmer, or equal	42.00000	EA	52.000000	2184.00

Comm Code	Manufacturer	Specification	Model #
39110000			

Commodity Line Comments: Quoting correct catalog number DVSTV-IV
Delivery days are business days

Extended Description:

Lutron, DBSTV-IV, Diva 8AMP, Dimmer, or equal

Line	Comm Ln Desc	Qty	Unit Issue	Unit Price	Ln Total Or Contract Amount
9	Lutron Maestro Wireless RF Switch, 120/277V, MRF2S-8S	5.00000	EA	112.000000	560.00

Comm Code	Manufacturer	Specification	Model #
39110000			

Commodity Line Comments: Lutron MRF2S-8SDV010-IV
Delivery days are business days

Extended Description:

Lutron Maestro Wireless RF Switch, 120/277V, MRF2S-8S, or Equal

Line	Comm Ln Desc	Qty	Unit Issue	Unit Price	Ln Total Or Contract Amount
10	Lutron Radio Powr Savr Wireless Occupancy Sensor, LRF,	5.00000	EA	50.000000	250.00

Comm Code	Manufacturer	Specification	Model #
39110000			

Commodity Line Comments: Lutron LRF2-OCR2B-P-WH
Delivery Days are business days

Extended Description:

Lutron Radio Powr Savr Wireless Occupancy Sensor, LRF, w/Mounting Bracket, or Equal

Line	Comm Ln Desc	Qty	Unit Issue	Unit Price	Ln Total Or Contract Amount
11	Atlas exterior light fixture, WLM43LED, or equal	6.00000	EA	87.500000	525.00

Comm Code	Manufacturer	Specification	Model #
78121603			

Commodity Line Comments: Hubbell Lighting # WGH1-LS-4K
Delivery days are business days

Extended Description:

Atlas exterior light fixture, WLM43LED, or equal

Line	Comm Ln Desc	Qty	Unit Issue	Unit Price	Ln Total Or Contract Amount
12	Ideal 74B Wire Nuts, 100 Pack, Yellow Connectors, or equal	2.00000	EA	10.590000	21.18

Comm Code	Manufacturer	Specification	Model #
39110000			

Commodity Line Comments: IDEAL 30-074
Delivery days are business days

Extended Description:

Ideal 74B Wire Nuts, 100 Pack, Yellow Connectors, or equal

Line	Comm Ln Desc	Qty	Unit Issue	Unit Price	Ln Total Or Contract Amount
13	Freight	1.00000	EA	0.000000	0.00

Comm Code	Manufacturer	Specification	Model #
78121603			

Commodity Line Comments: No freight.
Estimated approx 40 business days for complete delivery

Extended Description:

Freight for all Items to be a fixed firm price.



Department of Administration
 Purchasing Division
 2019 Washington Street East
 Post Office Box 50130
 Charleston, WV 25305-0130

State of West Virginia
 Centralized Request for Quote
 Service - Misc

Proc Folder: 1036007			Reason for Modification:
Doc Description: Various Light Fixtures and Supplies			
Proc Type: Central Purchase Order			
Date Issued	Solicitation Closes	Solicitation No	Version
2022-05-03	2022-05-18 13:30	CRFQ 0403 DBS2200000009	1

BID RECEIVING LOCATION

BID CLERK
 DEPARTMENT OF ADMINISTRATION
 PURCHASING DIVISION
 2019 WASHINGTON ST E
 CHARLESTON WV 25305
 US

VENDOR

Vendor Customer Code:

Vendor Name: Graybar Electric

Address: 1010 Young Street

Street:

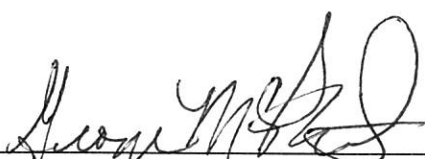
City: Charleston

State: W.V. **Country:** USA **Zip:** 25301

Principal Contact: Kevin Hypes

Vendor Contact Phone: 304-549-9310 **Extension:**

FOR INFORMATION CONTACT THE BUYER
 Joseph E Hager III
 (304) 558-2306
 joseph.e.hageriii@wv.gov

Vendor Signature X  **FEIN#** 13079438001 **DATE** 5/18/22

All offers subject to all terms and conditions contained in this solicitation

ADDITIONAL INFORMATION

The West Virginia School for the Deaf and Blind (WVSDDB) is soliciting bids for the one-time purchase of various light fixtures and supplies. WVSDDB is seeking bids for all commodities listed under this solicitation per the attached specifications and terms and conditions.

INVOICE TO		SHIP TO	
DEPARTMENT OF EDUCATION BLDG 6, RM 700 1900 KANAWHA BLVD E CHARLESTON WV US		DEPARTMENT OF EDUCATION OFFICE OF SPECIAL EDUCATION 1900 KANAWHA BLVD E, BLDG 6 RM 750 CHARLESTON WV US	

Line	Comm Ln Desc	Qty	Unit Issue	Unit Price	Total Price
1	Lithonia light fixture, 2GTL-4-72L-EZ1-LP835 Lensed LE	330.00000	EA	\$94.40	\$31,152.00

Comm Code	Manufacturer	Specification	Model #
39110000	Columbia	LIT24-35VLG-FSA12-ED1V	

Extended Description:

Lithonia light fixture, 2GTL-4-72L-EZ1-LP835 Lensed LED, or equal

INVOICE TO		SHIP TO	
DEPARTMENT OF EDUCATION BLDG 6, RM 700 1900 KANAWHA BLVD E CHARLESTON WV US		DEPARTMENT OF EDUCATION OFFICE OF SPECIAL EDUCATION 1900 KANAWHA BLVD E, BLDG 6 RM 750 CHARLESTON WV US	

Line	Comm Ln Desc	Qty	Unit Issue	Unit Price	Total Price
2	Lithonia light fixture, 2GTL-4-72L-EZ1-EL14L-LP835	40.00000	EA	248	\$9,920.00

Comm Code	Manufacturer	Specification	Model #
39110000	Columbia	LIT24-35VLG-FSA12-ED1V-EL14	

Extended Description:

Lithonia light fixture, 2GTL-4-72L-EZ1-EL14L-LP835, or Equal

INVOICE TO		SHIP TO	
DEPARTMENT OF EDUCATION BLDG 6, RM 700 1900 KANAWHA BLVD E CHARLESTON WV US		DEPARTMENT OF EDUCATION OFFICE OF SPECIAL EDUCATION 1900 KANAWHA BLVD E, BLDG 6 RM 750 CHARLESTON WV US	

Line	Comm Ln Desc	Qty	Unit Issue	Unit Price	Total Price
3	Lithonia light fixture, 2GTL-2-48L-EZ1-LP835, or equal	60.00000	EA	\$ 122.00	\$ 7,320

Comm Code	Manufacturer	Specification	Model #
39110000	Columbia		LIT22-35XLG-FSA12-ED1U

Extended Description:
Lithonia light fixture, 2GTL-2-48L-EZ1-LP835, or equal

INVOICE TO		SHIP TO	
DEPARTMENT OF EDUCATION BLDG 6, RM 700 1900 KANAWHA BLVD E CHARLESTON WV US		DEPARTMENT OF EDUCATION OFFICE OF SPECIAL EDUCATION 1900 KANAWHA BLVD E, BLDG 6 RM 750 CHARLESTON WV US	

Line	Comm Ln Desc	Qty	Unit Issue	Unit Price	Total Price
4	Lithonia light fixture, 2GTL-2-48L-EZ1-E14L-LP835,	10.00000	EA	\$ 276.00	\$ 2,760.00

Comm Code	Manufacturer	Specification	Model #
39110000	Columbia		LIT22-35XLG-FSA12-ED1U-E241

Extended Description:
Lithonia light fixture, 2GTL-2-48L-EZ1-E14L-LP835, or equal

INVOICE TO		SHIP TO	
DEPARTMENT OF EDUCATION BLDG 6, RM 700 1900 KANAWHA BLVD E CHARLESTON WV US		DEPARTMENT OF EDUCATION OFFICE OF SPECIAL EDUCATION 1900 KANAWHA BLVD E, BLDG 6 RM 750 CHARLESTON WV US	

Line	Comm Ln Desc	Qty	Unit Issue	Unit Price	Total Price
5	Wire, 14ga THHN, Gray (500' Spool)	2.00000	EA	\$ 82.09	\$ 164.17

Comm Code	Manufacturer	Specification	Model #
39110000			

Extended Description:
Wire, 14ga THHN, Gray (500' Spool)

INVOICE TO		SHIP TO	
DEPARTMENT OF EDUCATION BLDG 6, RM 700 1900 KANAWHA BLVD E CHARLESTON WV US		DEPARTMENT OF EDUCATION OFFICE OF SPECIAL EDUCATION 1900 KANAWHA BLVD E, BLDG 6 RM 750 CHARLESTON WV US	

Line	Comm Ln Desc	Qty	Unit Issue	Unit Price	Total Price
6	Wire, 14ga THHN, Purple (500' Spool)	2.00000	EA	\$ 82.09	\$ 164.17

Comm Code	Manufacturer	Specification	Model #
39110000			

Extended Description:
Wire, 14ga THHN, Purple (500' Spool)

INVOICE TO		SHIP TO	
DEPARTMENT OF EDUCATION BLDG 6, RM 700 1900 KANAWHA BLVD E CHARLESTON WV US		DEPARTMENT OF EDUCATION OFFICE OF SPECIAL EDUCATION 1900 KANAWHA BLVD E, BLDG 6 RM 750 CHARLESTON WV US	

Line	Comm Ln Desc	Qty	Unit Issue	Unit Price	Total Price
7	Ground wire pigtails with ground screws (Pack of 50)	2.00000	EA	* 30.27	* 60.54

Comm Code	Manufacturer	Specification	Model #
39110000			

Extended Description:
Ground wire pigtails with ground screws (Pack of 50)

INVOICE TO		SHIP TO	
DEPARTMENT OF EDUCATION BLDG 6, RM 700 1900 KANAWHA BLVD E CHARLESTON WV US		DEPARTMENT OF EDUCATION OFFICE OF SPECIAL EDUCATION 1900 KANAWHA BLVD E, BLDG 6 RM 750 CHARLESTON WV US	

Line	Comm Ln Desc	Qty	Unit Issue	Unit Price	Total Price
8	Lutron, DBSTV-IV, Diva 8AMP, Dimmer, or equal	42.00000	EA	52.00	2,184.00

Comm Code	Manufacturer	Specification	Model #
39110000	Lutron		DBSTV-IV

Extended Description:
Lutron, DBSTV-IV, Diva 8AMP, Dimmer, or equal

INVOICE TO		SHIP TO	
DEPARTMENT OF EDUCATION BLDG 6, RM 700 1900 KANAWHA BLVD E CHARLESTON WV US		DEPARTMENT OF EDUCATION OFFICE OF SPECIAL EDUCATION 1900 KANAWHA BLVD E, BLDG 6 RM 750 CHARLESTON WV US	

Line	Comm Ln Desc	Qty	Unit Issue	Unit Price	Total Price
9	Lutron Maestro Wireless RF Switch, 120/277V, MRF2S-8S	5.00000	EA	112.00 112.00	560.00

Comm Code	Manufacturer	Specification	Model #
39110000	Lutron		MRF2S-8SDY010-1V

Extended Description:
Lutron Maestro Wireless RF Switch, 120/277V, MRF2S-8S, or Equal

INVOICE TO		SHIP TO	
DEPARTMENT OF EDUCATION BLDG 6, RM 700 1900 KANAWHA BLVD E CHARLESTON WV US		DEPARTMENT OF EDUCATION OFFICE OF SPECIAL EDUCATION 1900 KANAWHA BLVD E, BLDG 6 RM 750 CHARLESTON WV US	

Line	Comm Ln Desc	Qty	Unit Issue	Unit Price	Total Price
10	Lutron Radio Powr Savr Wireless Occupancy Sensor, LRF,	5.00000	EA	50.00 50.00	250.00

Comm Code	Manufacturer	Specification	Model #
39110000	Lutron		WRF2-OCR2B-F-WH

Extended Description:
Lutron Radio Powr Savr Wireless Occupancy Sensor, LRF, w/Mounting Bracket, or Equal

INVOICE TO		SHIP TO	
DEPARTMENT OF EDUCATION BLDG 6, RM 700 1900 KANAWHA BLVD E CHARLESTON WV US		DEPARTMENT OF EDUCATION OFFICE OF SPECIAL EDUCATION 1900 KANAWHA BLVD E, BLDG 6 RM 750 CHARLESTON WV US	

Line	Comm Ln Desc	Qty	Unit Issue	Unit Price	Total Price
11	Atlas exterior light fixture, WLM43LED, or equal	6.00000	EA	<i>\$87.50</i>	<i>\$525.00</i>

Comm Code	Manufacturer	Specification	Model #
78121603	<i>Hobbell LIGHTING</i>		<i>WG41-LS-4K</i>

Extended Description:
Atlas exterior light fixture, WLM43LED, or equal

INVOICE TO		SHIP TO	
DEPARTMENT OF EDUCATION BLDG 6, RM 700 1900 KANAWHA BLVD E CHARLESTON WV US		DEPARTMENT OF EDUCATION OFFICE OF SPECIAL EDUCATION 1900 KANAWHA BLVD E, BLDG 6 RM 750 CHARLESTON WV US	

Line	Comm Ln Desc	Qty	Unit Issue	Unit Price	Total Price
12	Ideal 74B Wire Nuts, 100 Pack, Yellow Connectors, or equal	2.00000	EA	<i>\$10.59</i>	<i>\$21.18</i>

Comm Code	Manufacturer	Specification	Model #
39110000	<i>IDEAL</i>		<i>30-074</i>

Extended Description:
Ideal 74B Wire Nuts, 100 Pack, Yellow Connectors, or equal

INVOICE TO	SHIP TO
-------------------	----------------

DEPARTMENT OF EDUCATION BLDG 6, RM 700 1900 KANAWHA BLVD E CHARLESTON WV US	DEPARTMENT OF EDUCATION OFFICE OF SPECIAL EDUCATION 1900 KANAWHA BLVD E, BLDG 6 RM 750 CHARLESTON WV US
--	--

Line	Comm Ln Desc	Qty	Unit Issue	Unit Price	Total Price
13	Freight	1.00000	EA		

Comm Code	Manufacturer	Specification	Model #
78121603			

Extended Description:
Freight for all Items to be a fixed firm price.

SCHEDULE OF EVENTS

<u>Line</u>	<u>Event</u>	<u>Event Date</u>
-------------	--------------	-------------------

INSTRUCTIONS TO VENDORS SUBMITTING BIDS

1. REVIEW DOCUMENTS THOROUGHLY: The attached documents contain a solicitation for bids. Please read these instructions and all documents attached in their entirety. These instructions provide critical information about requirements that if overlooked could lead to disqualification of a Vendor's bid. All bids must be submitted in accordance with the provisions contained in these instructions and the Solicitation. Failure to do so may result in disqualification of Vendor's bid.

2. MANDATORY TERMS: The Solicitation may contain mandatory provisions identified by the use of the words "must," "will," and "shall." Failure to comply with a mandatory term in the Solicitation will result in bid disqualification.

3. PREBID MEETING: The item identified below shall apply to this Solicitation.

A pre-bid meeting will not be held prior to bid opening

A **MANDATORY PRE-BID** meeting will be held at the following place and time:

All Vendors submitting a bid must attend the mandatory pre-bid meeting. Failure to attend the mandatory pre-bid meeting shall result in disqualification of the Vendor's bid. No one individual is permitted to represent more than one vendor at the pre-bid meeting. Any individual that does attempt to represent two or more vendors will be required to select one vendor to which the individual's attendance will be attributed. The vendors not selected will be deemed to have not attended the pre-bid meeting unless another individual attended on their behalf.

An attendance sheet provided at the pre-bid meeting shall serve as the official document verifying attendance. Any person attending the pre-bid meeting on behalf of a Vendor must list on the attendance sheet his or her name and the name of the Vendor he or she is representing.

Additionally, the person attending the pre-bid meeting should include the Vendor's E-Mail address, phone number, and Fax number on the attendance sheet. It is the Vendor's responsibility to locate the attendance sheet and provide the required information. Failure to complete the attendance sheet as required may result in disqualification of Vendor's bid.

All Vendors should arrive prior to the starting time for the pre-bid. Vendors who arrive after the starting time but prior to the end of the pre-bid will be permitted to sign in but are charged with knowing all matters discussed at the pre-bid.

Questions submitted at least five business days prior to a scheduled pre-bid will be discussed at the pre-bid meeting if possible. Any discussions or answers to questions at the pre-bid meeting are preliminary in nature and are non-binding. Official and binding answers to questions will be published in a written addendum to the Solicitation prior to bid opening.

4. VENDOR QUESTION DEADLINE: Vendors may submit questions relating to this Solicitation to the Purchasing Division. Questions must be submitted in writing. All questions must be submitted on or before the date listed below and to the address listed below to be considered. A written response will be published in a Solicitation addendum if a response is possible and appropriate. Non-written discussions, conversations, or questions and answers regarding this Solicitation are preliminary in nature and are nonbinding.

Submitted emails should have the solicitation number in the subject line.

Question Submission Deadline: 05/10/2022 @ 4:00 PM ET

Submit Questions to: Josh Hager
2019 Washington Street, East
Charleston, WV 25305
Fax: (304) 558-3970
Email: Joseph.E.HagerIII@wv.gov

5. VERBAL COMMUNICATION: Any verbal communication between the Vendor and any State personnel is not binding, including verbal communication at the mandatory pre-bid conference. Only information issued in writing and added to the Solicitation by an official written addendum by the Purchasing Division is binding.

6. BID SUBMISSION: All bids must be submitted on or before the date and time of the bid opening listed in section 7 below. Vendors can submit bids electronically through *wvOASIS*, in paper form delivered to the Purchasing Division at the address listed below either in person or by courier, or in facsimile form by faxing to the Purchasing Division at the number listed below. Notwithstanding the foregoing, the Purchasing Division may prohibit the submission of bids electronically through *wvOASIS* at its sole discretion. Such a prohibition will be contained and communicated in the *wvOASIS* system resulting in the Vendor's inability to submit bids through *wvOASIS*. The Purchasing Division will not accept bids, modification of bids, or addendum acknowledgment forms via email. Bids submitted in paper or facsimile form must contain a signature. Bids submitted in *wvOASIS* are deemed to be electronically signed.

Any bid received by the Purchasing Division staff is considered to be in the possession of the Purchasing Division and will not be returned for any reason.

For Request for Proposal ("RFP") Responses Only: Submission of a response to a Request for Proposal is not permitted in *wvOASIS*. In the event that Vendor is responding to a request for proposal, the Vendor shall submit one original technical and one original cost proposal prior to the bid opening date and time identified in Section 7 below, plus N/A convenience copies of each to the Purchasing Division at the address shown below. Additionally, the Vendor should clearly identify and segregate the cost proposal from the technical proposal in a separately sealed envelope.

Bid Delivery Address and Fax Number:

Department of Administration, Purchasing Division
2019 Washington Street East
Charleston, WV 25305-0130
Fax: 304-558-3970

A bid submitted in paper or facsimile form should contain the information listed below on the face of the submission envelope or fax cover sheet. Otherwise, the bid may be rejected by the Purchasing Division.

VENDOR NAME:

BUYER: Josh Hager

SOLICITATION NO.: CRFQ 0403 DBS2200000009

BID OPENING DATE: See next page

BID OPENING TIME: See next page

FAX NUMBER: 304-558-3970

7. BID OPENING: Bids submitted in response to this Solicitation will be opened at the location identified below on the date and time listed below. Delivery of a bid after the bid opening date and time will result in bid disqualification. For purposes of this Solicitation, a bid is considered delivered when confirmation of delivery is provided by WVOASIS (in the case of electronic submission) or when the bid is time stamped by the official Purchasing Division time clock (in the case of hand delivery).

Bid Opening Date and Time: 05/18/2022 @ 4:00 PM

Bid Opening Location: Department of Administration, Purchasing Division
2019 Washington Street East
Charleston, WV 25305-0130

8. ADDENDUM ACKNOWLEDGEMENT: Changes or revisions to this Solicitation will be made by an official written addendum issued by the Purchasing Division. Vendor should acknowledge receipt of all addenda issued with this Solicitation by completing an Addendum Acknowledgment Form, a copy of which is included herewith. Failure to acknowledge addenda may result in bid disqualification. The addendum acknowledgement should be submitted with the bid to expedite document processing.

9. BID FORMATTING: Vendor should type or electronically enter the information onto its bid to prevent errors in the evaluation. Failure to type or electronically enter the information may result in bid disqualification.

10. ALTERNATE MODEL OR BRAND: Unless the box below is checked, any model, brand, or specification listed in this Solicitation establishes the acceptable level of quality only and is not intended to reflect a preference for, or in any way favor, a particular brand or vendor. Vendors may bid alternates to a listed model or brand provided that the alternate is at least equal to the model or brand and complies with the required specifications. The equality of any alternate being bid shall be determined by the State at its sole discretion. Any Vendor bidding an alternate model or brand should clearly identify the alternate items in its bid and should include manufacturer's

specifications, industry literature, and/or any other relevant documentation demonstrating the equality of the alternate items. Failure to provide information for alternate items may be grounds for rejection of a Vendor's bid.

This Solicitation is based upon a standardized commodity established under W. Va. Code § 5A-3-61. Vendors are expected to bid the standardized commodity identified. Failure to bid the standardized commodity will result in your firm's bid being rejected.

11. EXCEPTIONS AND CLARIFICATIONS: The Solicitation contains the specifications that shall form the basis of a contractual agreement. Vendor shall clearly mark any exceptions, clarifications, or other proposed modifications in its bid. Exceptions to, clarifications of, or modifications of a requirement or term and condition of the Solicitation may result in bid disqualification.

12. COMMUNICATION LIMITATIONS: In accordance with West Virginia Code of State Rules §148-1-6.6, communication with the State of West Virginia or any of its employees regarding this Solicitation during the solicitation, bid, evaluation or award periods, except through the Purchasing Division, is strictly prohibited without prior Purchasing Division approval. Purchasing Division approval for such communication is implied for all agency delegated and exempt purchases.

13. REGISTRATION: Prior to Contract award, the apparent successful Vendor must be properly registered with the West Virginia Purchasing Division and must have paid the \$125 fee, if applicable.

14. UNIT PRICE: Unit prices shall prevail in cases of a discrepancy in the Vendor's bid.

15. PREFERENCE: Vendor Preference may be requested in purchases of motor vehicles or construction and maintenance equipment and machinery used in highway and other infrastructure projects. Any request for preference must be submitted in writing with the bid, must specifically identify the preference requested with reference to the applicable subsection of West Virginia Code § 5A-3-37, and must include with the bid any information necessary to evaluate and confirm the applicability of the requested preference. A request form to help facilitate the request can be found at: www.state.wv.us/admin/purchase/vrc/Venpref.pdf.

15A. RECIPROCAL PREFERENCE: The State of West Virginia applies a reciprocal preference to all solicitations for commodities and printing in accordance with W. Va. Code § 5A-3-37(b). In effect, non-resident vendors receiving a preference in their home states, will see that same preference granted to West Virginia resident vendors bidding against them in West Virginia. Any request for reciprocal preference must include with the bid any information necessary to evaluate and confirm the applicability of the preference. A request form to help facilitate the request can be found at: www.state.wv.us/admin/purchase/vrc/Venpref.pdf.

16. SMALL, WOMEN-OWNED, OR MINORITY-OWNED BUSINESSES: For any solicitations publicly advertised for bid, in accordance with West Virginia Code §5A-3-37(a)(7) and W. Va. CSR § 148-22-9, any non-resident vendor certified as a small, women-owned, or minority-owned business under W. Va. CSR § 148-22-9 shall be provided the same preference made available to any resident vendor. Any non-resident small, women-owned, or

minority-owned business must identify itself as such in writing, must submit that writing to the Purchasing Division with its bid, and must be properly certified under W. Va. CSR § 148-22-9 prior to contract award to receive the preferences made available to resident vendors. Preference for a non-resident small, women-owned, or minority owned business shall be applied in accordance with W. Va. CSR § 148-22-9.

17. WAIVER OF MINOR IRREGULARITIES: The Director reserves the right to waive minor irregularities in bids or specifications in accordance with West Virginia Code of State Rules § 148-1-4.6.

18. ELECTRONIC FILE ACCESS RESTRICTIONS: Vendor must ensure that its submission in *wvOASIS* can be accessed and viewed by the Purchasing Division staff immediately upon bid opening. The Purchasing Division will consider any file that cannot be immediately accessed and viewed at the time of the bid opening (such as, encrypted files, password protected files, or incompatible files) to be blank or incomplete as context requires and are therefore unacceptable. A vendor will not be permitted to unencrypt files, remove password protections, or resubmit documents after bid opening to make a file viewable if those documents are required with the bid. A Vendor may be required to provide document passwords or remove access restrictions to allow the Purchasing Division to print or electronically save documents provided that those documents are viewable by the Purchasing Division prior to obtaining the password or removing the access restriction.

19. NON-RESPONSIBLE: The Purchasing Division Director reserves the right to reject the bid of any vendor as Non-Responsible in accordance with W. Va. Code of State Rules § 148-1-5.3, when the Director determines that the vendor submitting the bid does not have the capability to fully perform or lacks the integrity and reliability to assure good-faith performance.”

20. ACCEPTANCE/REJECTION: The State may accept or reject any bid in whole, or in part in accordance with W. Va. Code of State Rules § 148-1-4.5. and § 148-1-6.4.b.”

21. YOUR SUBMISSION IS A PUBLIC DOCUMENT: Vendor’s entire response to the Solicitation and the resulting Contract are public documents. As public documents, they will be disclosed to the public following the bid/proposal opening or award of the contract, as required by the competitive bidding laws of West Virginia Code §§ 5A-3-1 et seq., 5-22-1 et seq., and 5G-1-1 et seq. and the Freedom of Information Act West Virginia Code §§ 29B-1-1 et seq.

DO NOT SUBMIT MATERIAL YOU CONSIDER TO BE CONFIDENTIAL, A TRADE SECRET, OR OTHERWISE NOT SUBJECT TO PUBLIC DISCLOSURE.

Submission of any bid, proposal, or other document to the Purchasing Division constitutes your explicit consent to the subsequent public disclosure of the bid, proposal, or document. The Purchasing Division will disclose any document labeled “confidential,” “proprietary,” “trade secret,” “private,” or labeled with any other claim against public disclosure of the documents, to include any “trade secrets” as defined by West Virginia Code § 47-22-1 et seq. All submissions are subject to public disclosure without notice.

22. WITH THE BID REQUIREMENTS: In instances where these specifications require documentation or other information with the bid, and a vendor fails to provide it with the bid, the Director of the Purchasing Division reserves the right to request those items after bid opening and prior to contract award pursuant to the authority to waive minor irregularities in bids or specifications under W. Va. CSR § 148-1-4.6. This authority does not apply to instances where state law mandates receipt with the bid.

23. EMAIL NOTIFICATION OF AWARD: The Purchasing Division will attempt to provide bidders with e-mail notification of contract award when a solicitation that the bidder participated in has been awarded. For notification purposes, bidders must provide the Purchasing Division with a valid email address in the bid response. Bidders may also monitor wvOASIS or the Purchasing Division's website to determine when a contract has been awarded.

24. ISRAEL BOYCOTT CERTIFICATION: Vendor's act of submitting a bid in response to this solicitation shall be deemed a certification from bidder to the State that bidder is not currently engaged in, and will not for the duration of the contract, engage in a boycott of Israel. This certification is required by W. Va. Code § 5A-3-63.

GENERAL TERMS AND CONDITIONS:

1. CONTRACTUAL AGREEMENT: Issuance of an Award Document signed by the Purchasing Division Director, or his designee, and approved as to form by the Attorney General's office constitutes acceptance by the State of this Contract made by and between the State of West Virginia and the Vendor. Vendor's signature on its bid, or on the Contract if the Contract is not the result of a bid solicitation, signifies Vendor's agreement to be bound by and accept the terms and conditions contained in this Contract.

2. DEFINITIONS: As used in this Solicitation/Contract, the following terms shall have the meanings attributed to them below. Additional definitions may be found in the specifications included with this Solicitation/Contract.

2.1. "Agency" or "Agencies" means the agency, board, commission, or other entity of the State of West Virginia that is identified on the first page of the Solicitation or any other public entity seeking to procure goods or services under this Contract.

2.2. "Bid" or "Proposal" means the vendors submitted response to this solicitation.

2.3. "Contract" means the binding agreement that is entered into between the State and the Vendor to provide the goods or services requested in the Solicitation.

2.4. "Director" means the Director of the West Virginia Department of Administration, Purchasing Division.

2.5. "Purchasing Division" means the West Virginia Department of Administration, Purchasing Division.

2.6. "Award Document" means the document signed by the Agency and the Purchasing Division, and approved as to form by the Attorney General, that identifies the Vendor as the contract holder.

2.7. "Solicitation" means the official notice of an opportunity to supply the State with goods or services that is published by the Purchasing Division.

2.8. "State" means the State of West Virginia and/or any of its agencies, commissions, boards, etc. as context requires.

2.9. "Vendor" or "Vendors" means any entity submitting a bid in response to the Solicitation, the entity that has been selected as the lowest responsible bidder, or the entity that has been awarded the Contract as context requires.

3. CONTRACT TERM; RENEWAL; EXTENSION: The term of this Contract shall be determined in accordance with the category that has been identified as applicable to this Contract below:

Term Contract

Initial Contract Term: The Initial Contract Term will be for a period of _____. The Initial Contract Term becomes effective on the effective start date listed on the first page of this Contract and the Initial Contract Term ends on the effective end date also shown on the first page of this Contract.

Renewal Term: This Contract may be renewed upon the mutual written consent of the Agency, and the Vendor, with approval of the Purchasing Division and the Attorney General's office (Attorney General approval is as to form only). Any request for renewal should be delivered to the Agency and then submitted to the Purchasing Division thirty (30) days prior to the expiration date of the initial contract term or appropriate renewal term. A Contract renewal shall be in accordance with the terms and conditions of the original contract. Unless otherwise specified below, renewal of this Contract is limited to _____ successive one (1) year periods or multiple renewal periods of less than one year, provided that the multiple renewal periods do not exceed the total number of months available in all renewal years combined. Automatic renewal of this Contract is prohibited. Renewals must be approved by the Vendor, Agency, Purchasing Division and Attorney General's office (Attorney General approval is as to form only)

Alternate Renewal Term – This contract may be renewed for _____ successive _____ year periods or shorter periods provided that they do not exceed the total number of months contained in all available renewals. Automatic renewal of this Contract is prohibited. Renewals must be approved by the Vendor, Agency, Purchasing Division and Attorney General's office (Attorney General approval is as to form only)

Delivery Order Limitations: In the event that this contract permits delivery orders, a delivery order may only be issued during the time this Contract is in effect. Any delivery order issued within one year of the expiration of this Contract shall be effective for one year from the date the delivery order is issued. No delivery order may be extended beyond one year after this Contract has expired.

Fixed Period Contract: This Contract becomes effective upon Vendor's receipt of the notice to proceed and must be completed within _____ days.

Fixed Period Contract with Renewals: This Contract becomes effective upon Vendor's receipt of the notice to proceed and part of the Contract more fully described in the attached specifications must be completed within _____ days. Upon completion of the work covered by the preceding sentence, the vendor agrees that:

the contract will continue for _____ years:

the contract may be renewed for _____ successive _____ year periods or shorter periods provided that they do not exceed the total number of months contained in all available renewals. Automatic renewal of this Contract is prohibited.

Renewals must be approved by the Vendor, Agency, Purchasing Division and Attorney

General's Office (Attorney General approval is as to form only).

One-Time Purchase: The term of this Contract shall run from the issuance of the Award Document until all of the goods contracted for have been delivered, but in no event will this Contract extend for more than one fiscal year.

Other: Contract Term specified in _____

4. AUTHORITY TO PROCEED: Vendor is authorized to begin performance of this contract on the date of encumbrance listed on the front page of the Award Document unless either the box for "Fixed Period Contract" or "Fixed Period Contract with Renewals" has been checked in Section 3 above. If either "Fixed Period Contract" or "Fixed Period Contract with Renewals" has been checked, Vendor must not begin work until it receives a separate notice to proceed from the State. The notice to proceed will then be incorporated into the Contract via change order to memorialize the official date that work commenced.

5. QUANTITIES: The quantities required under this Contract shall be determined in accordance with the category that has been identified as applicable to this Contract below.

Open End Contract: Quantities listed in this Solicitation/Award Document are approximations only, based on estimates supplied by the Agency. It is understood and agreed that the Contract shall cover the quantities actually ordered for delivery during the term of the Contract, whether more or less than the quantities shown.

Service: The scope of the service to be provided will be more clearly defined in the specifications included herewith.

Combined Service and Goods: The scope of the service and deliverable goods to be provided will be more clearly defined in the specifications included herewith.

One-Time Purchase: This Contract is for the purchase of a set quantity of goods that are identified in the specifications included herewith. Once those items have been delivered, no additional goods may be procured under this Contract without an appropriate change order approved by the Vendor, Agency, Purchasing Division, and Attorney General's office.

6. EMERGENCY PURCHASES: The Purchasing Division Director may authorize the Agency to purchase goods or services in the open market that Vendor would otherwise provide under this Contract if those goods or services are for immediate or expedited delivery in an emergency. Emergencies shall include, but are not limited to, delays in transportation or an unanticipated increase in the volume of work. An emergency purchase in the open market, approved by the Purchasing Division Director, shall not constitute a breach of this Contract and shall not entitle the Vendor to any form of compensation or damages. This provision does not excuse the State from fulfilling its obligations under a One-Time Purchase contract.

7. REQUIRED DOCUMENTS: All of the items checked in this section must be provided to the Purchasing Division by the Vendor as specified:

BID BOND (Construction Only): Pursuant to the requirements contained in W. Va. Code § 5-22-1(c), All Vendors submitting a bid on a construction project shall furnish a valid bid bond in the amount of five percent (5%) of the total amount of the bid protecting the State of West Virginia. The bid bond must be submitted with the bid.

PERFORMANCE BOND: The apparent successful Vendor shall provide a performance bond in the amount of 100% of the contract. The performance bond must be received by the Purchasing Division prior to Contract award.

LABOR/MATERIAL PAYMENT BOND: The apparent successful Vendor shall provide a labor/material payment bond in the amount of 100% of the Contract value. The labor/material payment bond must be delivered to the Purchasing Division prior to Contract award.

In lieu of the Bid Bond, Performance Bond, and Labor/Material Payment Bond, the Vendor may provide certified checks, cashier's checks, or irrevocable letters of credit. Any certified check, cashier's check, or irrevocable letter of credit provided in lieu of a bond must be of the same amount and delivered on the same schedule as the bond it replaces. A letter of credit submitted in lieu of a performance and labor/material payment bond will only be allowed for projects under \$100,000. Personal or business checks are not acceptable. Notwithstanding the foregoing, West Virginia Code § 5-22-1 (d) mandates that a vendor provide a performance and labor/material payment bond for construction projects. Accordingly, substitutions for the performance and labor/material payment bonds for construction projects is not permitted.

MAINTENANCE BOND: The apparent successful Vendor shall provide a two (2) year maintenance bond covering the roofing system. The maintenance bond must be issued and delivered to the Purchasing Division prior to Contract award.

LICENSE(S) / CERTIFICATIONS / PERMITS: In addition to anything required under the Section of the General Terms and Conditions entitled Licensing, the apparent successful Vendor shall furnish proof of the following licenses, certifications, and/or permits upon request and in a form acceptable to the State. The request may be prior to or after contract award at the State's sole discretion.

The apparent successful Vendor shall also furnish proof of any additional licenses or certifications contained in the specifications regardless of whether or not that requirement is listed above.

8. INSURANCE: The apparent successful Vendor shall furnish proof of the insurance identified by a checkmark below and must include the State as an additional insured on each policy prior to Contract award. The insurance coverages identified below must be maintained throughout the life of this contract. Thirty (30) days prior to the expiration of the insurance policies, Vendor shall provide the Agency with proof that the insurance mandated herein has been continued. Vendor must also provide Agency with immediate notice of any changes in its insurance policies, including but not limited to, policy cancelation, policy reduction, or change in insurers. The apparent successful Vendor shall also furnish proof of any additional insurance requirements contained in the specifications prior to Contract award regardless of whether that insurance requirement is listed in this section.

Vendor must maintain:

Commercial General Liability Insurance in at least an amount of: \$1,000,000.00 per occurrence.

Automobile Liability Insurance in at least an amount of: \$1,000,000.00 per occurrence.

Professional/Malpractice/Errors and Omission Insurance in at least an amount of: _____ per occurrence. Notwithstanding the forgoing, Vendor's are not required to list the State as an additional insured for this type of policy.

Commercial Crime and Third Party Fidelity Insurance in an amount of: _____ per occurrence.

Cyber Liability Insurance in an amount of: _____ per occurrence.

Builders Risk Insurance in an amount equal to 100% of the amount of the Contract.

Pollution Insurance in an amount of: _____ per occurrence.

Aircraft Liability in an amount of: _____ per occurrence.

Notwithstanding anything contained in this section to the contrary, the Director of the Purchasing Division reserves the right to waive the requirement that the State be named as an additional insured on one or more of the Vendor's insurance policies if the Director finds that doing so is in the State's best interest.

9. WORKERS' COMPENSATION INSURANCE: Vendor shall comply with laws relating to workers compensation, shall maintain workers' compensation insurance when required, and shall furnish proof of workers' compensation insurance upon request.

10. [Reserved]

11. LIQUIDATED DAMAGES: This clause shall in no way be considered exclusive and shall not limit the State or Agency's right to pursue any other available remedy. Vendor shall pay liquidated damages in the amount specified below or as described in the specifications:

_____ for _____.

Liquidated Damages Contained in the Specifications.

Liquidated Damages Are Not Included in this Contract.

12. ACCEPTANCE: Vendor's signature on its bid, or on the certification and signature page, constitutes an offer to the State that cannot be unilaterally withdrawn, signifies that the product or service proposed by vendor meets the mandatory requirements contained in the Solicitation for that product or service, unless otherwise indicated, and signifies acceptance of the terms and conditions contained in the Solicitation unless otherwise indicated.

13. PRICING: The pricing set forth herein is firm for the life of the Contract, unless specified elsewhere within this Solicitation/Contract by the State. A Vendor's inclusion of price adjustment provisions in its bid, without an express authorization from the State in the Solicitation to do so, may result in bid disqualification. Notwithstanding the foregoing, Vendor must extend any publicly advertised sale price to the State and invoice at the lower of the contract price or the publicly advertised sale price.

14. PAYMENT IN ARREARS: Payments for goods/services will be made in arrears only upon receipt of a proper invoice, detailing the goods/services provided or receipt of the goods/services, whichever is later. Notwithstanding the foregoing, payments for software maintenance, licenses, or subscriptions may be paid annually in advance.

15. PAYMENT METHODS: Vendor must accept payment by electronic funds transfer and P-Card. (The State of West Virginia's Purchasing Card program, administered under contract by a banking institution, processes payment for goods and services through state designated credit cards.)

16. TAXES: The Vendor shall pay any applicable sales, use, personal property or any other taxes arising out of this Contract and the transactions contemplated thereby. The State of West Virginia is exempt from federal and state taxes and will not pay or reimburse such taxes.

17. ADDITIONAL FEES: Vendor is not permitted to charge additional fees or assess additional charges that were not either expressly provided for in the solicitation published by the State of West Virginia, included in the Contract, or included in the unit price or lump sum bid amount that Vendor is required by the solicitation to provide. Including such fees or charges as notes to the solicitation may result in rejection of vendor's bid. Requesting such fees or charges be paid after the contract has been awarded may result in cancellation of the contract.

18. FUNDING: This Contract shall continue for the term stated herein, contingent upon funds being appropriated by the Legislature or otherwise being made available. In the event funds are not appropriated or otherwise made available, this Contract becomes void and of no effect beginning on July 1 of the fiscal year for which funding has not been appropriated or otherwise made available. If that occurs, the State may notify the Vendor that an alternative source of funding has been obtained and thereby avoid the automatic termination. Non-appropriation or non-funding shall not be considered an event of default.

19. CANCELLATION: The Purchasing Division Director reserves the right to cancel this Contract immediately upon written notice to the vendor if the materials or workmanship supplied do not conform to the specifications contained in the Contract. The Purchasing Division Director may also cancel any purchase or Contract upon 30 days written notice to the Vendor in accordance with West Virginia Code of State Rules § 148-1-5.2.b.

20. TIME: Time is of the essence regarding all matters of time and performance in this Contract.

21. APPLICABLE LAW: This Contract is governed by and interpreted under West Virginia law without giving effect to its choice of law principles. Any information provided in specification manuals, or any other source, verbal or written, which contradicts or violates the West Virginia Constitution, West Virginia Code, or West Virginia Code of State Rules is void and of no effect.

22. COMPLIANCE WITH LAWS: Vendor shall comply with all applicable federal, state, and local laws, regulations and ordinances. By submitting a bid, Vendor acknowledges that it has reviewed, understands, and will comply with all applicable laws, regulations, and ordinances.

SUBCONTRACTOR COMPLIANCE: Vendor shall notify all subcontractors providing commodities or services related to this Contract that as subcontractors, they too are required to comply with all applicable laws, regulations, and ordinances. Notification under this provision must occur prior to the performance of any work under the contract by the subcontractor.

23. ARBITRATION: Any references made to arbitration contained in this Contract, Vendor's bid, or in any American Institute of Architects documents pertaining to this Contract are hereby deleted, void, and of no effect.

24. MODIFICATIONS: This writing is the parties' final expression of intent. Notwithstanding anything contained in this Contract to the contrary no modification of this Contract shall be binding without mutual written consent of the Agency, and the Vendor, with approval of the Purchasing Division and the Attorney General's office (Attorney General approval is as to form only). Any change to existing contracts that adds work or changes contract cost, and were not included in the original contract, must be approved by the Purchasing Division and the Attorney General's Office (as to form) prior to the implementation of the change or commencement of work affected by the change.

25. WAIVER: The failure of either party to insist upon a strict performance of any of the terms or provision of this Contract, or to exercise any option, right, or remedy herein contained, shall not be construed as a waiver or a relinquishment for the future of such term, provision, option, right, or remedy, but the same shall continue in full force and effect. Any waiver must be expressly stated in writing and signed by the waiving party.

26. SUBSEQUENT FORMS: The terms and conditions contained in this Contract shall supersede any and all subsequent terms and conditions which may appear on any form documents submitted by Vendor to the Agency or Purchasing Division such as price lists, order forms, invoices, sales agreements, or maintenance agreements, and includes internet websites or other electronic documents. Acceptance or use of Vendor's forms does not constitute acceptance of the terms and conditions contained thereon.

27. ASSIGNMENT: Neither this Contract nor any monies due, or to become due hereunder, may be assigned by the Vendor without the express written consent of the Agency, the Purchasing Division, the Attorney General's office (as to form only), and any other government agency or office that may be required to approve such assignments.

28. WARRANTY: The Vendor expressly warrants that the goods and/or services covered by this Contract will: (a) conform to the specifications, drawings, samples, or other description furnished or specified by the Agency; (b) be merchantable and fit for the purpose intended; and (c) be free from defect in material and workmanship.

29. STATE EMPLOYEES: State employees are not permitted to utilize this Contract for personal use and the Vendor is prohibited from permitting or facilitating the same.

30. PRIVACY, SECURITY, AND CONFIDENTIALITY: The Vendor agrees that it will not disclose to anyone, directly or indirectly, any such personally identifiable information or other confidential information gained from the Agency, unless the individual who is the subject of the information consents to the disclosure in writing or the disclosure is made pursuant to the Agency's policies, procedures, and rules. Vendor further agrees to comply with the Confidentiality Policies and Information Security Accountability Requirements, set forth in <http://www.state.wv.us/admin/purchase/privacy/default.html>.

31. YOUR SUBMISSION IS A PUBLIC DOCUMENT: Vendor's entire response to the Solicitation and the resulting Contract are public documents. As public documents, they will be disclosed to the public following the bid/proposal opening or award of the contract, as required by the competitive bidding laws of West Virginia Code §§ 5A-3-1 et seq., 5-22-1 et seq., and 5G-1-1 et seq. and the Freedom of Information Act West Virginia Code §§ 29B-1-1 et seq.

DO NOT SUBMIT MATERIAL YOU CONSIDER TO BE CONFIDENTIAL, A TRADE SECRET, OR OTHERWISE NOT SUBJECT TO PUBLIC DISCLOSURE.

Submission of any bid, proposal, or other document to the Purchasing Division constitutes your explicit consent to the subsequent public disclosure of the bid, proposal, or document. The Purchasing Division will disclose any document labeled "confidential," "proprietary," "trade secret," "private," or labeled with any other claim against public disclosure of the documents, to include any "trade secrets" as defined by West Virginia Code § 47-22-1 et seq. All submissions are subject to public disclosure without notice.

32. LICENSING: In accordance with West Virginia Code of State Rules § 148-1-6.1.e, Vendor must be licensed and in good standing in accordance with any and all state and local laws and requirements by any state or local agency of West Virginia, including, but not limited to, the West Virginia Secretary of State's Office, the West Virginia Tax Department, West Virginia Insurance Commission, or any other state agency or political subdivision. Obligations related to political subdivisions may include, but are not limited to, business licensing, business and occupation taxes, inspection compliance, permitting, etc. Upon request, the Vendor must provide all necessary releases to obtain information to enable the Purchasing Division Director or the Agency to verify that the Vendor is licensed and in good standing with the above entities.

SUBCONTRACTOR COMPLIANCE: Vendor shall notify all subcontractors providing commodities or services related to this Contract that as subcontractors, they too are required to be licensed, in good standing, and up-to-date on all state and local obligations as described in this section. Obligations related to political subdivisions may include, but are not limited to, business licensing, business and occupation taxes, inspection compliance, permitting, etc. Notification under this provision must occur prior to the performance of any work under the contract by the subcontractor.

33. ANTITRUST: In submitting a bid to, signing a contract with, or accepting a Award Document from any agency of the State of West Virginia, the Vendor agrees to convey, sell, assign, or transfer to the State of West Virginia all rights, title, and interest in and to all causes of action it may now or hereafter acquire under the antitrust laws of the United States and the State of West Virginia for price fixing and/or unreasonable restraints of trade relating to the particular commodities or services purchased or acquired by the State of West Virginia. Such assignment shall be made and become effective at the time the purchasing agency tenders the initial payment to Vendor.

34. VENDOR CERTIFICATIONS: By signing its bid or entering into this Contract, Vendor certifies (1) that its bid or offer was made without prior understanding, agreement, or connection with any corporation, firm, limited liability company, partnership, person or entity submitting a bid or offer for the same material, supplies, equipment or services; (2) that its bid or offer is in all respects fair and without collusion or fraud; (3) that this Contract is accepted or entered into without any prior understanding, agreement, or connection to any other entity that could be considered a violation of law; and (4) that it has reviewed this Solicitation in its entirety; understands the requirements, terms and conditions, and other information contained herein.

Vendor's signature on its bid or offer also affirms that neither it nor its representatives have any interest, nor shall acquire any interest, direct or indirect, which would compromise the performance of its services hereunder. Any such interests shall be promptly presented in detail to the Agency. The individual signing this bid or offer on behalf of Vendor certifies that he or she is authorized by the Vendor to execute this bid or offer or any documents related thereto on Vendor's behalf; that he or she is authorized to bind the Vendor in a contractual relationship; and that, to the best of his or her knowledge, the Vendor has properly registered with any State agency that may require registration.

35. VENDOR RELATIONSHIP: The relationship of the Vendor to the State shall be that of an independent contractor and no principal-agent relationship or employer-employee relationship is contemplated or created by this Contract. The Vendor as an independent contractor is solely liable for the acts and omissions of its employees and agents. Vendor shall be responsible for selecting, supervising, and compensating any and all individuals employed pursuant to the terms of this Solicitation and resulting contract. Neither the Vendor, nor any employees or subcontractors of the Vendor, shall be deemed to be employees of the State for any purpose whatsoever. Vendor shall be exclusively responsible for payment of employees and contractors for all wages and salaries, taxes, withholding payments, penalties, fees, fringe benefits, professional liability insurance premiums, contributions to insurance and pension, or other deferred compensation plans, including but not limited to, Workers' Compensation and Social Security obligations, licensing fees, etc. and the filing of all necessary documents, forms, and returns pertinent to all of the foregoing.

Vendor shall hold harmless the State, and shall provide the State and Agency with a defense against any and all claims including, but not limited to, the foregoing payments, withholdings, contributions, taxes, Social Security taxes, and employer income tax returns.

36. INDEMNIFICATION: The Vendor agrees to indemnify, defend, and hold harmless the State and the Agency, their officers, and employees from and against: (1) Any claims or losses for services rendered by any subcontractor, person, or firm performing or supplying services, materials, or supplies in connection with the performance of the Contract; (2) Any claims or losses resulting to any person or entity injured or damaged by the Vendor, its officers, employees, or subcontractors by the publication, translation, reproduction, delivery, performance, use, or disposition of any data used under the Contract in a manner not authorized by the Contract, or by Federal or State statutes or regulations; and (3) Any failure of the Vendor, its officers, employees, or subcontractors to observe State and Federal laws including, but not limited to, labor and wage and hour laws.

37. NO DEBT CERTIFICATION: In accordance with West Virginia Code §§ 5A-3-10a and 5-22-1(i), the State is prohibited from awarding a contract to any bidder that owes a debt to the State or a political subdivision of the State. By submitting a bid, or entering into a contract with the State, Vendor is affirming that (1) for construction contracts, the Vendor is not in default on any monetary obligation owed to the state or a political subdivision of the state, and (2) for all other contracts, neither the Vendor nor any related party owe a debt as defined above, and neither the Vendor nor any related party are in employer default as defined in the statute cited above unless the debt or employer default is permitted under the statute.

38. CONFLICT OF INTEREST: Vendor, its officers or members or employees, shall not presently have or acquire an interest, direct or indirect, which would conflict with or compromise the performance of its obligations hereunder. Vendor shall periodically inquire of its officers, members and employees to ensure that a conflict of interest does not arise. Any conflict of interest discovered shall be promptly presented in detail to the Agency.

39. REPORTS: Vendor shall provide the Agency and/or the Purchasing Division with the following reports identified by a checked box below:

Such reports as the Agency and/or the Purchasing Division may request. Requested reports may include, but are not limited to, quantities purchased, agencies utilizing the contract, total contract expenditures by agency, etc.

Quarterly reports detailing the total quantity of purchases in units and dollars, along with a listing of purchases by agency. Quarterly reports should be delivered to the Purchasing Division via email at purchasing.division@wv.gov.

40. BACKGROUND CHECK: In accordance with W. Va. Code § 15-2D-3, the State reserves the right to prohibit a service provider's employees from accessing sensitive or critical information or to be present at the Capitol complex based upon results addressed from a criminal background check. Service providers should contact the West Virginia Division of Protective Services by phone at (304) 558-9911 for more information.

41. PREFERENCE FOR USE OF DOMESTIC STEEL PRODUCTS: Except when authorized by the Director of the Purchasing Division pursuant to W. Va. Code § 5A-3-56, no contractor may use or supply steel products for a State Contract Project other than those steel products made in the United States. A contractor who uses steel products in violation of this section may be subject to civil penalties pursuant to W. Va. Code § 5A-3-56. As used in this section:

- a. "State Contract Project" means any erection or construction of, or any addition to, alteration of or other improvement to any building or structure, including, but not limited to, roads or highways, or the installation of any heating or cooling or ventilating plants or other equipment, or the supply of and materials for such projects, pursuant to a contract with the State of West Virginia for which bids were solicited on or after June 6, 2001.
- b. "Steel Products" means products rolled, formed, shaped, drawn, extruded, forged, cast, fabricated or otherwise similarly processed, or processed by a combination of two or more or such operations, from steel made by the open heath, basic oxygen, electric furnace, Bessemer or other steel making process.

- c. The Purchasing Division Director may, in writing, authorize the use of foreign steel products if:
 1. The cost for each contract item used does not exceed one tenth of one percent (.1%) of the total contract cost or two thousand five hundred dollars (\$2,500.00), whichever is greater. For the purposes of this section, the cost is the value of the steel product as delivered to the project; or
 2. The Director of the Purchasing Division determines that specified steel materials are not produced in the United States in sufficient quantity or otherwise are not reasonably available to meet contract requirements.

42. PREFERENCE FOR USE OF DOMESTIC ALUMINUM, GLASS, AND STEEL: In Accordance with W. Va. Code § 5-19-1 et seq., and W. Va. CSR § 148-10-1 et seq., for every contract or subcontract, subject to the limitations contained herein, for the construction, reconstruction, alteration, repair, improvement or maintenance of public works or for the purchase of any item of machinery or equipment to be used at sites of public works, only domestic aluminum, glass or steel products shall be supplied unless the spending officer determines, in writing, after the receipt of offers or bids, (1) that the cost of domestic aluminum, glass or steel products is unreasonable or inconsistent with the public interest of the State of West Virginia, (2) that domestic aluminum, glass or steel products are not produced in sufficient quantities to meet the contract requirements, or (3) the available domestic aluminum, glass, or steel do not meet the contract specifications. This provision only applies to public works contracts awarded in an amount more than fifty thousand dollars (\$50,000) or public works contracts that require more than ten thousand pounds of steel products.

The cost of domestic aluminum, glass, or steel products may be unreasonable if the cost is more than twenty percent (20%) of the bid or offered price for foreign made aluminum, glass, or steel products. If the domestic aluminum, glass or steel products to be supplied or produced in a “substantial labor surplus area”, as defined by the United States Department of Labor, the cost of domestic aluminum, glass, or steel products may be unreasonable if the cost is more than thirty percent (30%) of the bid or offered price for foreign made aluminum, glass, or steel products. This preference shall be applied to an item of machinery or equipment, as indicated above, when the item is a single unit of equipment or machinery manufactured primarily of aluminum, glass or steel, is part of a public works contract and has the sole purpose or of being a permanent part of a single public works project. This provision does not apply to equipment or machinery purchased by a spending unit for use by that spending unit and not as part of a single public works project.

All bids and offers including domestic aluminum, glass or steel products that exceed bid or offer prices including foreign aluminum, glass or steel products after application of the preferences provided in this provision may be reduced to a price equal to or lower than the lowest bid or offer price for foreign aluminum, glass or steel products plus the applicable preference. If the reduced bid or offer prices are made in writing and supersede the prior bid or offer prices, all bids or offers, including the reduced bid or offer prices, will be reevaluated in accordance with this rule.

43. INTERESTED PARTY SUPPLEMENTAL DISCLOSURE: W. Va. Code § 6D-1-2 requires that for contracts with an actual or estimated value of at least \$1 million, the Vendor must submit to the Agency a disclosure of interested parties prior to beginning work under this Contract. Additionally, the Vendor must submit a supplemental disclosure of interested parties reflecting any new or differing interested parties to the contract, which were not included in the original pre-work interested party disclosure, within 30 days following the completion or termination of the contract. A copy of that form is included with this solicitation or can be obtained from the WV Ethics Commission. This requirement does not apply to publicly traded companies listed on a national or international stock exchange. A more detailed definition of interested parties can be obtained from the form referenced above.

44. PROHIBITION AGAINST USED OR REFURBISHED: Unless expressly permitted in the solicitation published by the State, Vendor must provide new, unused commodities, and is prohibited from supplying used or refurbished commodities, in fulfilling its responsibilities under this Contract.

45. VOID CONTRACT CLAUSES – This Contract is subject to the provisions of West Virginia Code § 5A-3-62, which automatically voids certain contract clauses that violate State law.

46. ISRAEL BOYCOTT: Bidder understands and agrees that, pursuant to W. Va. Code § 5A-3-63, it is prohibited from engaging in a boycott of Israel during the term of this contract.

DESIGNATED CONTACT: Vendor appoints the individual identified in this Section as the Contract Administrator and the initial point of contact for matters relating to this Contract.

(Name, Title) Kevin Hypes OUTSIDE SALES REP
(Printed Name and Title) KEVIN HYPES, OUTSIDE SALES REP.
(Address) 1010 Young Street Charleston, WV 25301
(Phone Number) / (Fax Number) 304-549-9310 / 304-344-0324
(email address) Kevin.Hypes@Graybar.com

CERTIFICATION AND SIGNATURE: By signing below, or submitting documentation through WVOASIS, I certify that: I have reviewed this Solicitation/Contract in its entirety; that I understand the requirements, terms and conditions, and other information contained herein; that this bid, offer or proposal constitutes an offer to the State that cannot be unilaterally withdrawn; that the product or service proposed meets the mandatory requirements contained in the Solicitation/Contract for that product or service, unless otherwise stated herein; that the Vendor accepts the terms and conditions contained in the Solicitation, unless otherwise stated herein; that I am submitting this bid, offer or proposal for review and consideration; that I am authorized by the vendor to execute and submit this bid, offer, or proposal, or any documents related thereto on vendor's behalf; that I am authorized to bind the vendor in a contractual relationship; and that to the best of my knowledge, the vendor has properly registered with any State agency that may require registration.

By signing below, I further certify that I understand this Contract is subject to the provisions of West Virginia Code § 5A-3-62, which automatically voids certain contract clauses that violate State law; and that pursuant to W. Va. Code 5A-3-63, the entity entering into this contract is prohibited from engaging in a boycott against Israel.

Graybar Electric
(Company)
George McHail - Quotations Coordinator
(Authorized Signature)-(Representative Name, Title)
GEORGE MCHAIL QUOTATIONS COORDINATOR.
(Printed Name and Title of Authorized Representative) (Date)
304-706-3426 / 304-304-0324
(Phone Number) (Fax Number)
George.MChail@Graybar.com
(Email Address)

ADDENDUM ACKNOWLEDGEMENT FORM
SOLICITATION NO.:

Instructions: Please acknowledge receipt of all addenda issued with this solicitation by completing this addendum acknowledgment form. Check the box next to each addendum received and sign below. Failure to acknowledge addenda may result in bid disqualification.

Acknowledgment: I hereby acknowledge receipt of the following addenda and have made the necessary revisions to my proposal, plans and/or specification, etc.

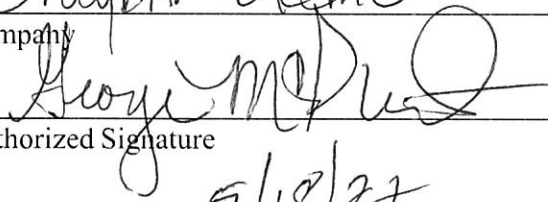
Addendum Numbers Received:

(Check the box next to each addendum received)

- | | |
|---|--|
| <input type="checkbox"/> Addendum No. 1 | <input type="checkbox"/> Addendum No. 6 |
| <input type="checkbox"/> Addendum No. 2 | <input type="checkbox"/> Addendum No. 7 |
| <input type="checkbox"/> Addendum No. 3 | <input type="checkbox"/> Addendum No. 8 |
| <input type="checkbox"/> Addendum No. 4 | <input type="checkbox"/> Addendum No. 9 |
| <input type="checkbox"/> Addendum No. 5 | <input type="checkbox"/> Addendum No. 10 |

I understand that failure to confirm the receipt of addenda may be cause for rejection of this bid. I further understand that any verbal representation made or assumed to be made during any oral discussion held between Vendor's representatives and any state personnel is not binding. Only the information issued in writing and added to the specifications by an official addendum is binding.

Graybar Electric
Company


Authorized Signature

5/18/22
Date

NOTE: This addendum acknowledgment should be submitted with the bid to expedite document processing.

REQUEST FOR QUOTATION
Various Light Fixtures and Supplies

SPECIFICATIONS

1. **PURPOSE AND SCOPE:** The West Virginia School for the Deaf and Blind (WVSDB) is soliciting bids for the one-time purchase of various light fixtures and supplies. WVSDB is seeking bids for all commodities listed under this solicitation.
2. **DEFINITIONS:** The terms listed below shall have the meanings assigned to them below. Additional definitions can be found in section 2 of the General Terms and Conditions.
 - 2.1 **“Contract Item”** means various light fixtures and supplies as more fully described by these specifications.
 - 2.2 **“Pricing Section”** means the schedule of prices, estimated order quantity, and totals contained in wvOASIS or Exhibit A Pricing Page used to evaluate the Solicitation responses.
 - 2.3 **“Solicitation”** means the official notice of an opportunity to supply the West Virginia School for the Deaf and Blind with goods or services that is published by the Agency

3. **GENERAL REQUIREMENTS:**

- 3.1 **Contract Items and Mandatory Requirements:** Vendor shall provide WVSDB with the Contract Items listed below. Contract Items must meet or exceed the mandatory requirements as shown below. Contract items will be used in a school facility for children with low-vision requirements. Contract items will be used for replacement of existing lights and must allow for retrofit installation.

3.1.1 Lithonia light fixture, 2GTL-4-72L-EZ1-LP835 Lensed LED, or equal

3.1.1.1 Must allow for recessed mounting

3.1.1.2 Must be Grid Type

3.1.1.3 Must be 2'wide x 4' long

3.1.1.4 Must be dimmable to 1%

3.1.1.5 Must have 7200 lumens

3.1.1.6 Must have color temperature of 3500K

3.1.1.7 Exposed surfaces must be white

3.1.1.8 Must be compatible with Lutron, DBSTV-IV, Diva 8AMP, Dimmer, or equal

3.1.2 Lithonia light fixture, 2GTL-4-72L-EZ1-EL14L-LP835, or equal

3.1.2.1 Must allow for recessed mounting

3.1.2.2 Must be Grid Type

3.1.2.3 Must be 2'wide x 4' long

REQUEST FOR QUOTATION
Various Light Fixtures and Supplies

- 3.1.2.4 Must be dimmable to 1%
- 3.1.2.5 Must have 7200 lumens
- 3.1.2.6 Must have color temperature of 3500K
- 3.1.2.7 Must have 1400 emergency battery
- 3.1.2.8 Exposed surfaces must be white
- 3.1.2.9 Must be compatible with Lutron, DBSTV-IV, Diva 8AMP, Dimmer, or equal

3.1.3 Lithonia light fixture, 2GTL-2-48L-EZ1-LP835, or equal

- 3.1.3.1 Must allow for recessed mounting
- 3.1.3.2 Must be Grid Type
- 3.1.3.3 Must be 2' wide x 2' long
- 3.1.3.4 Must be dimmable to 1%
- 3.1.3.5 Must have 4800 lumens
- 3.1.3.6 Must have color temperature of 3500K
- 3.1.3.7 Exposed surfaces must be white
- 3.1.3.8 Must be compatible with Lutron, DBSTV-IV, Diva 8AMP, Dimmer, or equal

3.1.4 Lithonia light fixture, 2GTL-2-48L-EZ1-E14L-LP835, or equal

- 3.1.4.1 Must allow for recessed mounting
- 3.1.4.2 Must be Grid Type
- 3.1.4.3 Must be 2' wide x 2' long
- 3.1.4.4 Must be dimmable to 1%
- 3.1.4.5 Must have 4800 lumens
- 3.1.4.6 Must have color temperature of 3500K
- 3.1.4.7 Must have 1400 emergency battery
- 3.1.4.8 Exposed surfaces must be white
- 3.1.4.9 Must be compatible with Lutron, DBSTV-IV, Diva 8AMP, Dimmer, or equal

3.1.5 Wire, 14ga THHN, Gray

- 3.1.5.1 Must be 500' (foot) spool

3.1.6 Wire, 14ga THHN, Purple

- 3.1.6.1 Must be 500' (foot) spool

REQUEST FOR QUOTATION
Various Light Fixtures and Supplies

- 3.1.7 Ground wire pigtailed with ground screws
 - 3.1.7.1 Must come in pack of 50
- 3.1.8 Lutron, DBSTV-IV, Diva 8AMP, Dimmer, or equal
 - 3.1.8.1 Must be rocker switch
 - 3.1.8.2 Must be 3-Way/Single-Pole 0-10V
 - 3.1.8.3 Must be Ivory
- 3.1.9 Lutron Maestro Wireless RF Switch, 120/277V, MRF2S-8S-DV-IV, or equal
 - 3.1.9.1 Must be button switch
 - 3.1.9.2 Must be Ivory
- 3.1.10 Lutron Radio Powr Savr Wireless Occupancy Sensor, LRF2-OCR2B-P-WH, or equal
 - 3.1.10.1 Must ceiling mount
 - 3.1.10.2 Must white
 - 3.1.10.3 Must include recess mounting bracket, L-CRMK-WH, or equal
- 3.1.11 Atlas exterior light fixture, WLM43LED, or equal
 - 3.1.11.1 Must 43W LED wall light
 - 3.1.11.2 Must provide a minimum of 5,276 lumens
 - 3.1.11.3 Must be wall mount
- 3.1.12 Ideal 74B Wire Nuts, 100 Pack, Yellow Connectors, or equal
- 3.2 All equipment must be new. No used or refurbished equipment will be considered. Any Item bid or received that does not meet the mandatory specifications will be disqualified or returned at no cost to the agency.
- 3.3 Alternate "or Equal" Submission
 - 3.3.1 In the event the vendor submits an alternative solution; the vendor should include data sheets/ documentation confirming product identification numbers with their bid.

4. CONTRACT AWARD:

- 4.1 **Contract Award:** The Contract is intended to provide the WV Schools for the Deaf and Blind with a purchase price for the Contract Items. The Contract shall be awarded to the Vendor that provides the Contract Items meeting the required specifications for the lowest overall total cost as shown on the Pricing Pages.

REQUEST FOR QUOTATION
Various Light Fixtures and Supplies

4.2 Pricing Section: Vendor should complete the Pricing Section by entering the Unit Price of the commodity line item and multiplying by the estimated quantity to provide an extended price. Bids will be evaluated based on Total Bid Amount. Vendor should complete the Pricing Section in full as failure to complete the Pricing Section in its entirety may result in Vendor's bid being disqualified.

Vendor should type or electronically enter the information into the Pricing Page to prevent errors in the evaluation.

5. PAYMENT:

5.1 Payment: Vendor shall accept payment in accordance with the payment procedures of the State of West Virginia.

6. DELIVERY AND RETURN:

6.1 Shipment and Delivery: Vendor shall ship the Contract Items immediately after being awarded this Contract and receiving a purchase order or notice to proceed. Vendor shall deliver the Contract Items within 15 calendar days after receiving Purchase order. Occasionally, WVSDB may request expedited orders to be delivered in less than 15 calendar days. Contract Items must be delivered to Agency at 301 East Main Street, Romney, WV, 26757, FOB Destination.

6.2 Late Delivery: The Agency placing the order under this Contract must be notified in writing if the shipment of the Contract Items will be delayed for any reason. Any delay in delivery that could cause harm to an Agency will be grounds for cancellation of the Contract, and/or obtaining the Contract Items from a third party.

6.3 Delivery Payment/Risk of Loss: Standard order delivery shall be F.O.B. destination to the Agency's location. Vendor shall include the cost of standard order delivery charges in its bid pricing and is not permitted to charge the Agency separately for such delivery. The Agency will pay delivery charges on all expedited orders if Vendor invoices those delivery costs as a separate charge with the original freight bill attached to the invoice.

6.4 Return of Unacceptable Items: If the Agency deems the Contract Items to be unacceptable, the Contract Items shall be returned to Vendor at Vendor's expense and with no restocking charge. Vendor shall either make arrangements for the return within five (5) days of being notified that items are unacceptable or permit the Agency to arrange for the return and reimburse Agency for delivery expenses. If the original packaging cannot be utilized for the return, Vendor will supply the Agency with appropriate return packaging upon request. All returns of unacceptable items shall be F.O.B. the Agency's location. The returned product shall either be replaced, or the Agency shall receive a full credit or refund for the purchase price, at the Agency's discretion.

REQUEST FOR QUOTATION
Various Light Fixtures and Supplies

6.5 Return Due to Agency Error: Items ordered in error by the Agency will be returned for credit within 30 days of receipt, F.O.B. Vendor's location. Vendor shall not charge a restocking fee if returned products are in a resalable condition. Items shall be deemed to be in a resalable condition if they are unused and in the original packaging. Any restocking fee for items not in a resalable condition shall be the lower of the Vendor's customary restocking fee or 5% of the total invoiced value of the returned items.

7. VENDOR DEFAULT:

7.1 The following shall be considered a vendor default under this Contract.

7.1.1 Failure to provide Contract Items in accordance with the requirements contained herein.

7.1.2 Failure to comply with other specifications and requirements contained herein.

7.1.3 Failure to comply with any laws, rules, and ordinances applicable to the Contract Services provided under this Contract.

7.1.4 Failure to remedy deficient performance upon request.

7.2 The following remedies shall be available to Agency upon default.

7.2.1 Immediate cancellation of the Contract.

7.2.2 Immediate cancellation of one or more release orders issued under this Contract.

7.2.3 Any other remedies available in law or equity.

8. MISCELLANEOUS:

8.1 Contract Manager: During its performance of this Contract, Vendor must designate and maintain a primary contract manager responsible for overseeing Vendor's responsibilities under this Contract. The Contract manager must be available during normal business hours to address any customer service or other issues related to this Contract. Vendor should list its Contract manager and his or her contact information below.

Contract Manager: Kevin Hypes
Telephone Number: 304-549-9310
Email Address: Kevin.Hypes@Graybar.com



INTERACTIVE MENU

- Ordering Guide
- Product Availability Tables
- Photometric Data
- Dimensional Data

PROJECT INFORMATION

Project Name

Type

Catalog No.

Date

FEATURES

- Full distribution LED troffer
- Direct replacement of fluorescent 2x4
- Wet location option available
- Long-life, 60,000 hour LEDs at L80 reduce life cycle maintenance costs
- Four LED color choices and 80 CRI
- Many shielding choices
- Two door frame choices
- Metal to metal light leak protection on all four sides of shielding frame
- Fixed output, step dimming (high/low/off), 0-10V dimming, 0-10V dimming-dim to dark drivers available
- Hinged optical system allows easy access to LED modules and electrical from below the ceiling
- UL Sanitation certified per NSF standards
- All models standard with IC rating
- DLC® (DesignLights Consortium) Qualified, with some Premium Qualified configurations - see www.designlights.org
- Five year warranty)



See Certification Specifications

LJT24

CONSTRUCTION

Luminaire housing, end caps, and reflectors are die-formed code-gauge cold-rolled steel. Optical system hinges from either side for easy access to LED module and electrical components. Mechanical light trap prevents light leaks.

FINISH

All metal parts processed with a multi-stage phosphate bonding treatment and finished with a high reflectance baked white enamel.

SHIELDING

Lens is high transmission pattern #12 acrylic (A12) for light diffusion without compromise to light output. Other shielding may be specified. If desired shielding media is not shown in ordering guide, contact your local Hubbell Lighting representative.

INSTALLATION

An access plate is furnished with each recessed fixture for fast wiring connections without the necessity to open the fixture or wireway.

CEILING COMPATIBILITY

Designed for recessed installation in standard inverted tee grid ceilings (G). Four integral T-bar clips standard. Also available for recessed installation in hard ceilings (G with FK accessory), surface mount at ceiling plane (SM), or cable mount suspension below ceiling plane (CM). For compatibility with specific ceilings contact your Hubbell Lighting representative.

CERTIFICATION

All luminaires are built to UL 1598 and 2108 standards, and bear appropriate CSA labels. UL Sanitation Certified per NSF Standards. Damp location labeling standard, wet location labeling is optional. CSA certified to UL 924 standards with battery pack or DTS (Dimming Bypass Module) options. Adheres to LM79, LM80 and TM21 industry standards. IC rating is standard on all models. DLC® (DesignLights Consortium) Qualified, with some Premium Qualified configurations. Please refer to the DLC website for specific product qualifications at www.designlights.org. The DTS, Dimming Bypass Module, is for emergency circuit control loads including sensors and wireless systems CSA certified to UL 924. See page 6 for wiring diagram. [Link to Dimming Bypass Module Specification sheet.](#)

This product qualifies as a "designated country construction material" per FAR 52.225-11 Buy American-Construction Materials under Trade Agreements effective 05/04/2022. See Buy American Solutions

WARRANTY

Five year warranty. (Terms and Conditions Apply)

ORDERING INFORMATION

EXAMPLE LJT24-35MLG-FSA12-EU

YOUR ORDER **LJT24 - - -**

LJT		24		-		-			
MODEL	SIZE	COLOR TEMP		LUMEN OUTPUT		CEILING TYPE		DOOR	
LJT LED Lensed Troffer	24 2' x 4'	30 3000K	35 3500K	XW Extra Low Watt	G Grid ¹	FS White Flush Steel			
		40 4000K		VW Very Low Watt	SM Surface Mount	FA White Flush Aluminum			
		50 5000K		MW Medium Low Watt	CM Cable Mount ²	RA Regressed Aluminum ³			
				LW Low Watt					
				ML Medium Lumen					
				HL High Lumen					
				VL Very High Lumen					
				XL Extra High Lumen ³					
				UL Ultra High Lumen					
				EL Extreme Lumen					
				VEL Very Extreme Lumen					
				See Product Availability Table Below					

SHIELDING		DRIVER		VOLTAGE		OPTIONS	
A12 Pattern 12 Acrylic Lens		E Fixed Output		U 120V-277V		ELL14 Emergency Battery Pack Installed, 1400 Lumens ^{6,5,10}	
A12125 Pattern 12 Acrylic Lens, 0.125" Nominal		ED 0-10V Dimming		347 347V		C388 3-Wire Flex	
A12F Pattern 12 Frosted Acrylic Lens		ED1 0-10V 1% Dimming				C488 4-Wire Flex	
A12125F Pattern 12 Frosted Acrylic Lens, 0.125" Nominal		EDD 0-10V Dimming, Dim to Dark ⁴				C588 5-Wire Flex	
A19 Pattern 19 Acrylic Lens, 0.156" Nominal		ESD Step Dimming ^{4,5}				GLR Fast Blow Fuse	
A19F Pattern 19 Frosted Acrylic Lens 0.156"		LUTH Hi-lume 1% EcoSystem LED driver with Soft-on, Fade-to-Black dimming technology ^{4,5}				GTD Generator Transfer Device ⁷	
ACCESSORIES (ORDER SEPARATELY)							
FK24 2' x 4' Single Flange Kit						DTS Dimming Bypass Module ⁸	
CM48Y2SC3F-KIT 48" Cable Mount Kit for 2' wide CM ceiling type, 3 Wire Feed Cord						G1 Single Gasketing (Door to Housing)	
						G2 Double Gasketing (G1 and Lens to Door)	
						G3 Triple Gasketing (G2 and Housing to Ceiling)	
						WL Wet Location (Select G2 or G3 Gasketing) ⁹	
						EOR End of Row (SM and CM only. Provides end wiring access for continuous row mounting.)	
						INT Intermediate (SM and CM only. Provides ends with wiring access for continuous row mounting.)	
						CP Chicago Plenum	

¹ For hard ceilings use flange kit accessory
² Order hanger accessories separately
³ Increases fixture depth to 4 1/4"
⁴ Not available in all lumen packages, see driver table below
⁵ Not available with 347V
⁶ For compatibility with Dual-Lite LiteGear® inverters in lieu of installed battery pack, contact Hubbell Lighting Representative
⁷ GTD available for E (fixed output) driver option only
⁸ For emergency circuit control loads including sensors and wireless systems CSA certified to UL 924. Only available with 0-10V drivers. Universal voltage only. See page 6 for wiring diagram
⁹ FA door and Grid Ceiling only
¹⁰ - UL, EL and VEL are not available with thru wiring when ELL14 is used

Damp label—standard
 IC rating—standard

	XW	VW	MW	LW	ML	HL	VL	XL	UL	EL	VEL
E	X	X	X	X	X	X	X	X	X	X	X
ED	X	X	X	X	X	X	X	X	X	X	X
ED1	X	X	X	X	X	X	X	X	X	X	X
EDD	X	X	X	X	X	X	X				
ESD			X	X	X	X	X				
LUTH	X	X	X	X	X	X					

Product Availability			
Lumen Package	Lumens	Input Watts	LPW
LJT24-50XWG-FSA12-EU	2919	20	145
LJT24-40XWG-FSA12-EU	2681	20	133
LJT24-35XWG-FSA12-EU	2640	20	131
LJT24-30XWG-FSA12-EU	2563	20	127
LJT24-50VWG-FSA12-EU	3806	27	142
LJT24-40VWG-FSA12-EU	3495	27	130
LJT24-35VWG-FSA12-EU	3441	27	128
LJT24-30VWG-FSA12-EU	3341	27	125
LJT24-50MWG-FSA12-EU	4297	31	140
LJT24-40MWG-FSA12-EU	3946	31	129
LJT24-35MWG-FSA12-EU	3886	31	127
LJT24-30MWG-FSA12-EU	3772	31	123
LJT24-50LWG-FSA12-EU	4720	34	139
LJT24-40LWG-FSA12-EU	4334	34	127
LJT24-35LWG-FSA12-EU	4268	34	126
LJT24-30LWG-FSA12-EU	4144	34	122
LJT24-50MLG-FSA12-EU	5218	38	136
LJT24-40MLG-FSA12-EU	4792	38	125
LJT24-35MLG-FSA12-EU	4718	38	123
LJT24-30MLG-FSA12-EU	4581	38	119
LJT24-50HLG-FSA12-EU	6017	45	133
LJT24-40HLG-FSA12-EU	5526	45	122
LJT24-35HLG-FSA12-EU	5441	45	120
LJT24-30HLG-FSA12-EU	5286	45	117
LJT24-50VLG-FSA12-EU	8191	59	138
LJT24-40VLG-FSA12-EU	7522	59	127
LJT24-35VLG-FSA12-EU	7407	59	125
LJT24-30VLG-FSA12-EU	7192	59	121
LJT24-50XLG-FSA12-EU	9763	73	134
LJT24-40XLG-FSA12-EU	8966	73	123
LJT24-35XLG-FSA12-EU	8829	73	121
LJT24-30XLG-FSA12-EU	8571	73	117
LJT24-30ULG-FSA12-EU	9578	75	128
LJT24-35ULG-FSA12-EU	9865	75	132
LJT24-40ULG-FSA12-EU	10018	75	134
LJT24-50ULG-FSA12-EU	10909	75	146
LJT24-30ELG-FSA12-EU	11460	92	125
LJT24-35ELG-FSA12-EU	11804	92	128
LJT24-40ELG-FSA12-EU	11987	92	130
LJT24-50ELG-FSA12-EU	13053	92	142
LJT24-30VELG-FSA12-EU	13126	100	131
LJT24-35VELG-FSA12-EU	13520	100	135
LJT24-40VELG-FSA12-EU	13730	100	137
LJT24-50VELG-FSA12-EU	14951	100	149

PHOTOMETRIC DATA

Test 16399 Test Date 06/28/2016

LUMINAIRE DATA

Luminaire	LJT24-40LWG-FSA12-EU LJT LED, Lensed Troffer 2' X 4' LED with A12 pattern acrylic prism lens
Ballast	XI040C110V054BST1
Ballast Factor	1.00
Lamp	LED
Fixture Lumens	4334
Watts	34.00
Mounting	Recessed
Shielding Angle	0° = 90 90° = 90
Spacing Criterion	0° = 1.19 90° = 1.19
Luminous Opening in feet	Length: 3.92 Width: 1.92 Height: 0.00

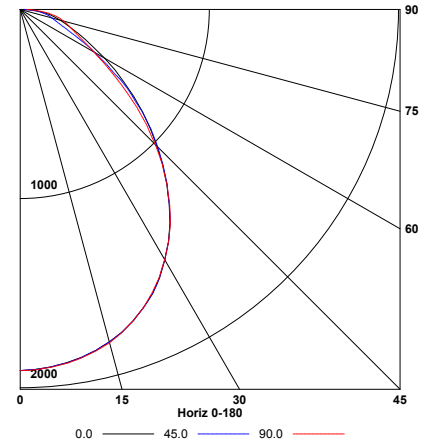
ENERGY DATA

Total Luminaire Efficiency	100.0%
Total Lumens per Watt	127
ANSI/IESNA RP-1-2004 Compliance	Noncompliant
Comparative Yearly Lighting Energy Cost per 1000 Lumens	\$1.89 based on 3000 hrs. and \$0.08 per KWH

ZONAL LUMEN SUMMARY

Zone	Lumens	%Lamp	%Fixt.
0-30	1456	33.6	33.6
0-40	2317	53.5	53.5
0-60	3680	84.9	84.9
0-90	4334	100.0	100.0
0-180	4334	100.0	100.0

INDOOR CANDELA PLOT



Test 16402 Test Date 06/27/2016

LUMINAIRE DATA

Luminaire	LJT24-40MLG-FSA12-EU LJT LED, Lensed Troffer 2' X 4' LED with A12 pattern acrylic prism lens
Ballast	XI040C110V054BST1
Ballast Factor	1.00
Lamp	LED
Fixture Lumens	4792
Watts	38.40
Mounting	Recessed
Shielding Angle	0° = 90 90° = 90
Spacing Criterion	0° = 1.19 90° = 1.19
Luminous Opening in feet	Length: 3.81 Width: 1.80 Height: 0.00

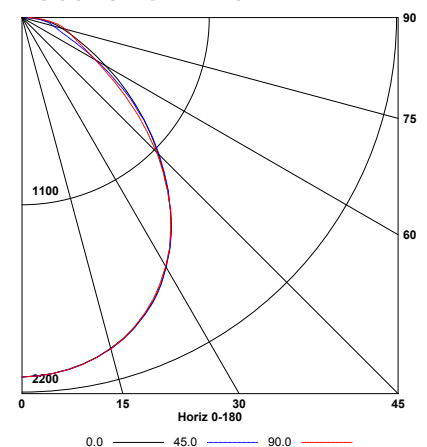
ENERGY DATA

Total Luminaire Efficiency	100.0%
Total Lumens per Watt	125
ANSI/IESNA RP-1-2004 Compliance	Noncompliant
Comparative Yearly Lighting Energy Cost per 1000 Lumens	\$1.90 based on 3000 hrs. and \$0.08 per KWH

ZONAL LUMEN SUMMARY

Zone	Lumens	%Lamp	%Fixt.
0-30	1609	33.6	33.6
0-40	2562	53.5	53.5
0-60	4069	84.9	84.9
0-90	4792	100.0	100.0
0-180	4792	100.0	100.0

INDOOR CANDELA PLOT



Test 16405 Test Date 06/28/2016

LUMINAIRE DATA

Luminaire	LJT24-40HLG-FSA12-EU LJT LED, Lensed Troffer 2' X 4' LED with A12 pattern acrylic prism lens
Ballast	XI054C150V054BST1
Ballast Factor	1.00
Lamp	LED
Fixture Lumens	5526
Watts	45.20
Mounting	Recessed
Shielding Angle	0° = 90 90° = 90
Spacing Criterion	0° = 1.18 90° = 1.18
Luminous Opening in feet	Length: 3.81 Width: 1.80 Height: 0.00

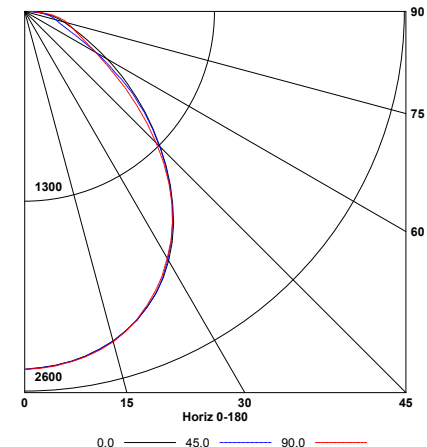
ENERGY DATA

Total Luminaire Efficiency	100.0%
Total Lumens per Watt	122
ANSI/IESNA RP-1-2004 Compliance	Noncompliant
Comparative Yearly Lighting Energy Cost per 1000 Lumens	\$1.95 based on 3000 hrs. and \$0.08 per KWH

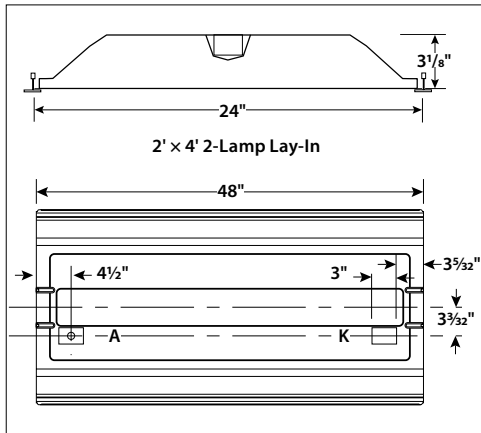
ZONAL LUMEN SUMMARY

Zone	Lumens	%Lamp	%Fixt.
0-30	1870	33.8	33.8
0-40	2975	53.8	53.8
0-60	4704	85.1	85.1
0-90	5526	100.0	100.0
0-180	5526	100.0	100.0

INDOOR CANDELA PLOT



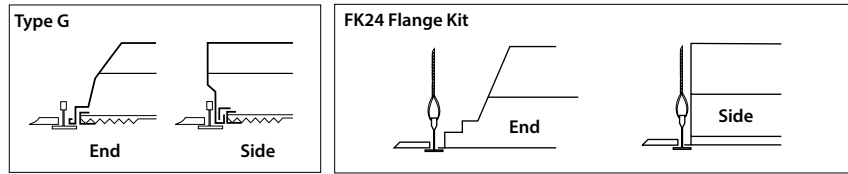
DIMENSIONAL DATA



A: 7/8" Diameter knockout
K: 2" x 3" through hole for access plate.

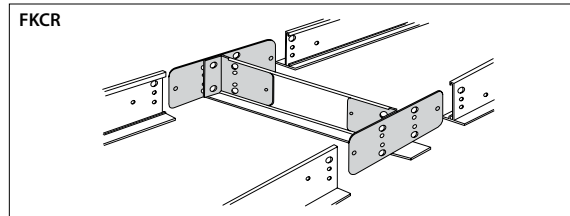
NOTE: All dimensions are in inches; dimensions and specifications are subject to change without notice. Please consult factory or check sample for verification.

CEILING COMPATIBILITY



For lay-in installation in exposed grid ceilings. Maximum tee widths of 1" and maximum tee heights of 2" allowed.

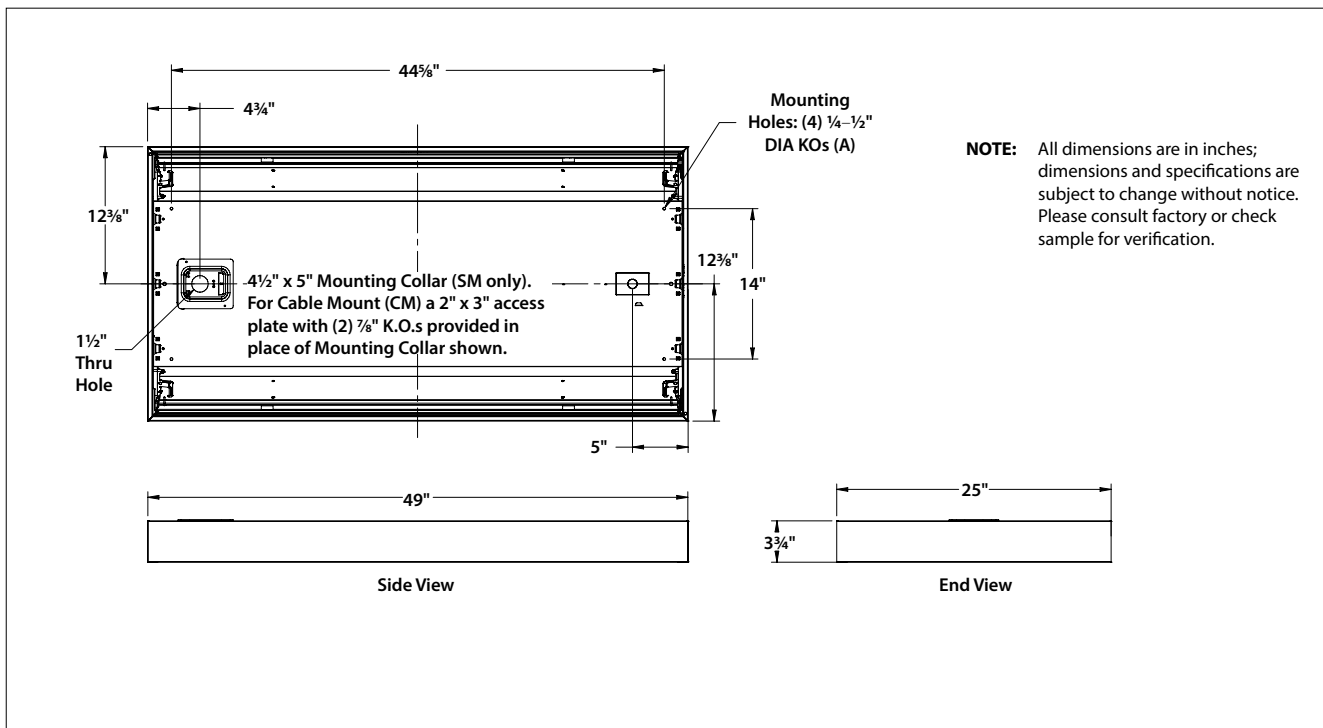
For hard ceiling applications order FK24 flange kit. Flange kit wires directly into concealed ceiling opening for a clean, finished appearance.



For flanged fixtures in row configurations, the FKCR adapter bracket kit is required in addition to the FK24 kit. Order one less FKCR than the total number of fixtures in row. (Example: Row of two, order (2) FK24 & (1) FKCR)

Row cut out dimensions using FK24 & FKCR adapters:
Width 24 3/8", Length [48" x (# in row)] + 3/8". Example: (48" x 2) + 3/8" = 96 3/8"
Flange kit rough in dimensions for single unit only: 24 3/8" x 48 3/8"

DIMENSIONAL DATA - SURFACE MOUNT (SM) AND CABLE MOUNT (CM)



NOTE: All dimensions are in inches; dimensions and specifications are subject to change without notice. Please consult factory or check sample for verification.

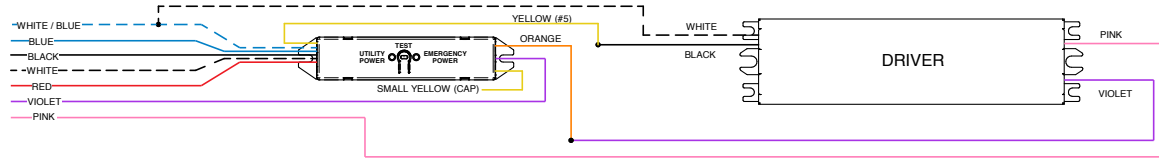
SURFACE MOUNT

Order SM ceiling type. Mounting collar required for surface mounting. (4) Mounting knock-outs, 1/4" to 1/2" provided as shown, marked "A".

CABLE MOUNT

Order CM ceiling type. Access plate supplied for cable mounting or suspension. Use CM48Y2C3F-KIT 48" cable mount kit. Includes 3 wire feed cord. For other wiring needs, contact Hubbell Lighting representative. Mounting knock-outs, 1/4" to 1/2", provided as shown, marked "A".

DTS WIRING DIAGRAM (0-10V DIMMING DRIVER SHOWN)



WHITE/BLUE	Emergency Neutral
BLUE	Emergency Line
BLACK	Utility Line (Unswitched Hot)
WHITE	Utility Neutral
RED	Switched Hot
VIOLET	Dimming
PINK	Dimming



INTERACTIVE MENU

- Ordering Guide
- Product Availability Tables
- Photometric Data
- Dimensional Data

PROJECT INFORMATION

Project Name _____

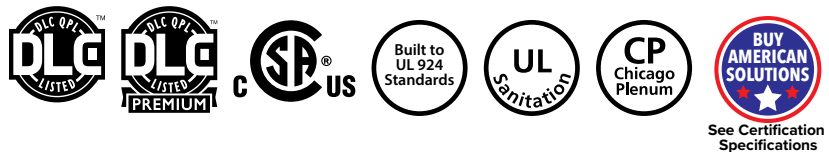
Type _____

Catalog No. _____

Date _____

FEATURES

- Full distribution LED troffer
- Direct replacement of fluorescent 2x4
- Wet location option available
- Long-life, 60,000 hour LEDs at L80 reduce life cycle maintenance costs
- Four LED color choices and 80 CRI
- Many shielding choices
- Two door frame choices
- Metal to metal light leak protection on all four sides of shielding frame
- Fixed output, step dimming (high/low/off), 0-10V dimming, 0-10V dimming-dim to dark drivers available
- Hinged optical system allows easy access to LED modules and electrical from below the ceiling
- UL Sanitation certified per NSF standards
- All models standard with IC rating
- DLC® (DesignLights Consortium) Qualified, with some Premium Qualified configurations - see www.designlights.org
- Five year warranty)



LJT24

CONSTRUCTION

Luminaire housing, end caps, and reflectors are die-formed code-gauge cold-rolled steel. Optical system hinges from either side for easy access to LED module and electrical components. Mechanical light trap prevents light leaks.

FINISH

All metal parts processed with a multi-stage phosphate bonding treatment and finished with a high reflectance baked white enamel.

SHIELDING

Lens is high transmission pattern #12 acrylic (A12) for light diffusion without compromise to light output. Other shielding may be specified. If desired shielding media is not shown in ordering guide, contact your local Hubbell Lighting representative.

INSTALLATION

An access plate is furnished with each recessed fixture for fast wiring connections without the necessity to open the fixture or wireway.

CEILING COMPATIBILITY

Designed for recessed installation in standard inverted tee grid ceilings (G). Four integral T-bar clips standard. Also available for recessed installation in hard ceilings (G with FK accessory), surface mount at ceiling plane (SM), or cable mount suspension below ceiling plane (CM). For compatibility with specific ceilings contact your Hubbell Lighting representative.

CERTIFICATION

All luminaires are built to UL 1598 and 2108 standards, and bear appropriate CSA labels. UL Sanitation Certified per NSF Standards. Damp location labeling standard, wet location labeling is optional. CSA certified to UL 924 standards with battery pack or DTS (Dimming Bypass Module) options. Adheres to LM79, LM80 and TM21 industry standards. IC rating is standard on all models. DLC® (DesignLights Consortium) Qualified, with some Premium Qualified configurations. Please refer to the DLC website for specific product qualifications at www.designlights.org. The DTS, Dimming Bypass Module, is for emergency circuit control loads including sensors and wireless systems CSA certified to UL 924. See page 6 for wiring diagram. [Link to Dimming Bypass Module Specification sheet.](#)

This product qualifies as a "designated country construction material" per FAR 52.225-11 Buy American-Construction Materials under Trade Agreements effective 05/04/2022. See Buy American Solutions

WARRANTY

Five year warranty. (Terms and Conditions Apply)

ORDERING INFORMATION

EXAMPLE LJT24-35MLG-FSA12-EU

YOUR ORDER **LJT24 - - -**

LJT		24		-		-			
MODEL	SIZE	COLOR TEMP		LUMEN OUTPUT		CEILING TYPE		DOOR	
LJT LED Lensed Troffer	24 2' x 4'	30 3000K	35 3500K	XW Extra Low Watt	VL Very High Lumen	G Grid ¹	FS White Flush Steel		
		40 4000K		VW Very Low Watt		SM Surface Mount	FA White Flush Aluminum		
		50 5000K		MW Medium Low Watt		CM Cable Mount ²	RA Regressed Aluminum ³		
				LW Low Watt					
				ML Medium Lumen					
				HL High Lumen					
				XL Extra High Lumen ⁹					
				UL Ultra High Lumen					
				EL Extreme Lumen					
				VEL Very Extreme Lumen					

See Product Availability Table Below

SHIELDING		DRIVER		VOLTAGE		OPTIONS	
A12 Pattern 12 Acrylic Lens		E Fixed Output		U 120V-277V		ELL14 Emergency Battery Pack Installed, 1400 Lumens ^{6,5,10}	
A12125 Pattern 12 Acrylic Lens, 0.125" Nominal		ED 0-10V Dimming		347 347V		C388 3-Wire Flex	
A12F Pattern 12 Frosted Acrylic Lens		ED1 0-10V 1% Dimming				C488 4-Wire Flex	
A12125F Pattern 12 Frosted Acrylic Lens, 0.125" Nominal		EDD 0-10V Dimming, Dim to Dark ⁴				C588 5-Wire Flex	
A19 Pattern 19 Acrylic Lens, 0.156" Nominal		ESD Step Dimming ^{4,5}				GLR Fast Blow Fuse	
A19F Pattern 19 Frosted Acrylic Lens 0.156"		LUTH Hi-lume 1% EcoSystem LED driver with Soft-on, Fade-to-Black dimming technology ^{4,5}				GTD Generator Transfer Device ⁷	
ACCESSORIES (ORDER SEPARATELY)							
FK24 2' x 4' Single Flange Kit						DTS Dimming Bypass Module ⁸	
CM48Y2SC3F-KIT 48" Cable Mount Kit for 2' wide CM ceiling type, 3 Wire Feed Cord						G1 Single Gasketing (Door to Housing)	
						G2 Double Gasketing (G1 and Lens to Door)	
						G3 Triple Gasketing (G2 and Housing to Ceiling)	
						WL Wet Location (Select G2 or G3 Gasketing) ⁹	
						EOR End of Row (SM and CM only. Provides end wiring access for continuous row mounting.)	
						INT Intermediate (SM and CM only. Provides ends with wiring access for continuous row mounting.)	
						CP Chicago Plenum	

¹ For hard ceilings use flange kit accessory
² Order hanger accessories separately
³ Increases fixture depth to 4 1/4"
⁴ Not available in all lumen packages, see driver table below
⁵ Not available with 347V
⁶ For compatibility with Dual-Lite LiteGear® inverters in lieu of installed battery pack, contact Hubbell Lighting Representative
⁷ GTD available for E (fixed output) driver option only
⁸ For emergency circuit control loads including sensors and wireless systems CSA certified to UL 924. Only available with 0-10V drivers. Universal voltage only. See page 6 for wiring diagram
⁹ FA door and Grid Ceiling only
¹⁰ - UL, EL and VEL are not available with thru wiring when ELL14 is used

Damp label—standard
 IC rating—standard

	XW	VW	MW	LW	ML	HL	VL	XL	UL	EL	VEL
E	X	X	X	X	X	X	X	X	X	X	X
ED	X	X	X	X	X	X	X	X	X	X	X
ED1	X	X	X	X	X	X	X	X	X	X	X
EDD	X	X	X	X	X	X	X				
ESD			X	X	X	X	X				
LUTH	X	X	X	X	X	X					

Product Availability			
Lumen Package	Lumens	Input Watts	LPW
LJT24-50XWG-FSA12-EU	2919	20	145
LJT24-40XWG-FSA12-EU	2681	20	133
LJT24-35XWG-FSA12-EU	2640	20	131
LJT24-30XWG-FSA12-EU	2563	20	127
LJT24-50VWG-FSA12-EU	3806	27	142
LJT24-40VWG-FSA12-EU	3495	27	130
LJT24-35VWG-FSA12-EU	3441	27	128
LJT24-30VWG-FSA12-EU	3341	27	125
LJT24-50MWG-FSA12-EU	4297	31	140
LJT24-40MWG-FSA12-EU	3946	31	129
LJT24-35MWG-FSA12-EU	3886	31	127
LJT24-30MWG-FSA12-EU	3772	31	123
LJT24-50LWG-FSA12-EU	4720	34	139
LJT24-40LWG-FSA12-EU	4334	34	127
LJT24-35LWG-FSA12-EU	4268	34	126
LJT24-30LWG-FSA12-EU	4144	34	122
LJT24-50MLG-FSA12-EU	5218	38	136
LJT24-40MLG-FSA12-EU	4792	38	125
LJT24-35MLG-FSA12-EU	4718	38	123
LJT24-30MLG-FSA12-EU	4581	38	119
LJT24-50HLG-FSA12-EU	6017	45	133
LJT24-40HLG-FSA12-EU	5526	45	122
LJT24-35HLG-FSA12-EU	5441	45	120
LJT24-30HLG-FSA12-EU	5286	45	117
LJT24-50VLG-FSA12-EU	8191	59	138
LJT24-40VLG-FSA12-EU	7522	59	127
LJT24-35VLG-FSA12-EU	7407	59	125
LJT24-30VLG-FSA12-EU	7192	59	121
LJT24-50XLG-FSA12-EU	9763	73	134
LJT24-40XLG-FSA12-EU	8966	73	123
LJT24-35XLG-FSA12-EU	8829	73	121
LJT24-30XLG-FSA12-EU	8571	73	117
LJT24-30ULG-FSA12-EU	9578	75	128
LJT24-35ULG-FSA12-EU	9865	75	132
LJT24-40ULG-FSA12-EU	10018	75	134
LJT24-50ULG-FSA12-EU	10909	75	146
LJT24-30ELG-FSA12-EU	11460	92	125
LJT24-35ELG-FSA12-EU	11804	92	128
LJT24-40ELG-FSA12-EU	11987	92	130
LJT24-50ELG-FSA12-EU	13053	92	142
LJT24-30VELG-FSA12-EU	13126	100	131
LJT24-35VELG-FSA12-EU	13520	100	135
LJT24-40VELG-FSA12-EU	13730	100	137
LJT24-50VELG-FSA12-EU	14951	100	149

PHOTOMETRIC DATA

Test 16399 Test Date 06/28/2016

LUMINAIRE DATA

Luminaire	LJT24-40LWG-FSA12-EU LJT LED, Lensed Troffer 2' X 4' LED with A12 pattern acrylic prism lens
Ballast	XI040C110V054BST1
Ballast Factor	1.00
Lamp	LED
Fixture Lumens	4334
Watts	34.00
Mounting	Recessed
Shielding Angle	0° = 90 90° = 90
Spacing Criterion	0° = 1.19 90° = 1.19
Luminous Opening in feet	Length: 3.92 Width: 1.92 Height: 0.00

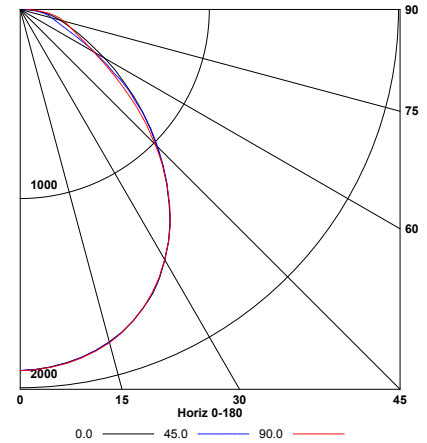
ENERGY DATA

Total Luminaire Efficiency	100.0%
Total Lumens per Watt	127
ANSI/IESNA RP-1-2004 Compliance	Noncompliant
Comparative Yearly Lighting Energy Cost per 1000 Lumens	\$1.89 based on 3000 hrs. and \$0.08 per KWH

ZONAL LUMEN SUMMARY

Zone	Lumens	%Lamp	%Fixt.
0-30	1456	33.6	33.6
0-40	2317	53.5	53.5
0-60	3680	84.9	84.9
0-90	4334	100.0	100.0
0-180	4334	100.0	100.0

INDOOR CANDELA PLOT



Test 16402 Test Date 06/27/2016

LUMINAIRE DATA

Luminaire	LJT24-40MLG-FSA12-EU LJT LED, Lensed Troffer 2' X 4' LED with A12 pattern acrylic prism lens
Ballast	XI040C110V054BST1
Ballast Factor	1.00
Lamp	LED
Fixture Lumens	4792
Watts	38.40
Mounting	Recessed
Shielding Angle	0° = 90 90° = 90
Spacing Criterion	0° = 1.19 90° = 1.19
Luminous Opening in feet	Length: 3.81 Width: 1.80 Height: 0.00

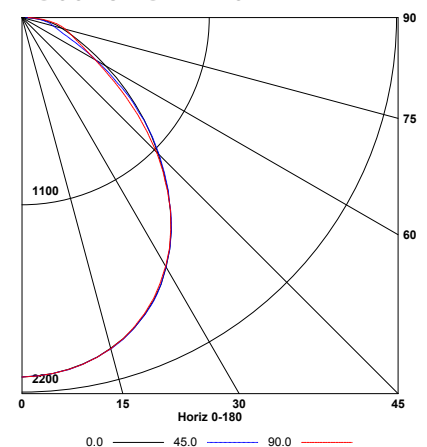
ENERGY DATA

Total Luminaire Efficiency	100.0%
Total Lumens per Watt	125
ANSI/IESNA RP-1-2004 Compliance	Noncompliant
Comparative Yearly Lighting Energy Cost per 1000 Lumens	\$1.90 based on 3000 hrs. and \$0.08 per KWH

ZONAL LUMEN SUMMARY

Zone	Lumens	%Lamp	%Fixt.
0-30	1609	33.6	33.6
0-40	2562	53.5	53.5
0-60	4069	84.9	84.9
0-90	4792	100.0	100.0
0-180	4792	100.0	100.0

INDOOR CANDELA PLOT



Test 16405 Test Date 06/28/2016

LUMINAIRE DATA

Luminaire	LJT24-40HLG-FSA12-EU LJT LED, Lensed Troffer 2' X 4' LED with A12 pattern acrylic prism lens
Ballast	XI054C150V054BST1
Ballast Factor	1.00
Lamp	LED
Fixture Lumens	5526
Watts	45.20
Mounting	Recessed
Shielding Angle	0° = 90 90° = 90
Spacing Criterion	0° = 1.18 90° = 1.18
Luminous Opening in feet	Length: 3.81 Width: 1.80 Height: 0.00

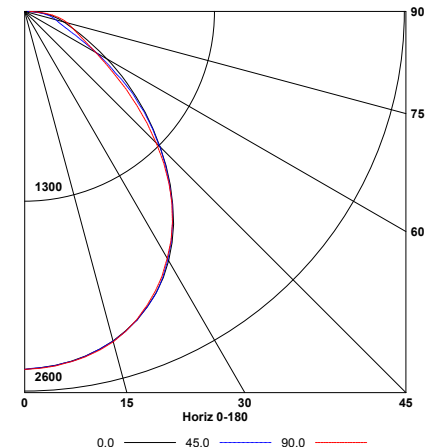
ENERGY DATA

Total Luminaire Efficiency	100.0%
Total Lumens per Watt	122
ANSI/IESNA RP-1-2004 Compliance	Noncompliant
Comparative Yearly Lighting Energy Cost per 1000 Lumens	\$1.95 based on 3000 hrs. and \$0.08 per KWH

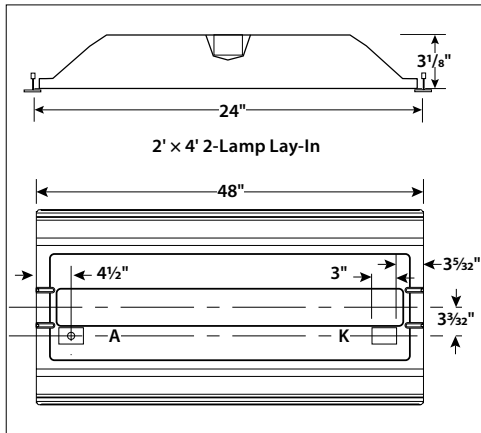
ZONAL LUMEN SUMMARY

Zone	Lumens	%Lamp	%Fixt.
0-30	1870	33.8	33.8
0-40	2975	53.8	53.8
0-60	4704	85.1	85.1
0-90	5526	100.0	100.0
0-180	5526	100.0	100.0

INDOOR CANDELA PLOT



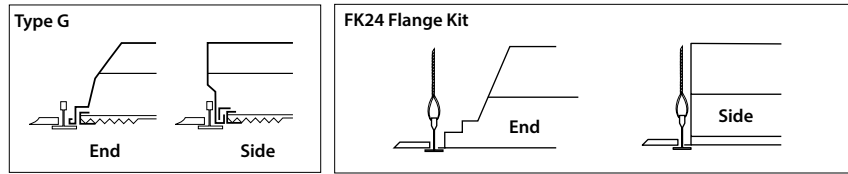
DIMENSIONAL DATA



A: 7/8" Diameter knockout
K: 2" x 3" through hole for access plate.

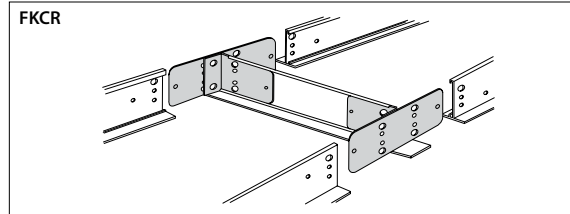
NOTE: All dimensions are in inches; dimensions and specifications are subject to change without notice. Please consult factory or check sample for verification.

CEILING COMPATIBILITY



For lay-in installation in exposed grid ceilings. Maximum tee widths of 1" and maximum tee heights of 2" allowed.

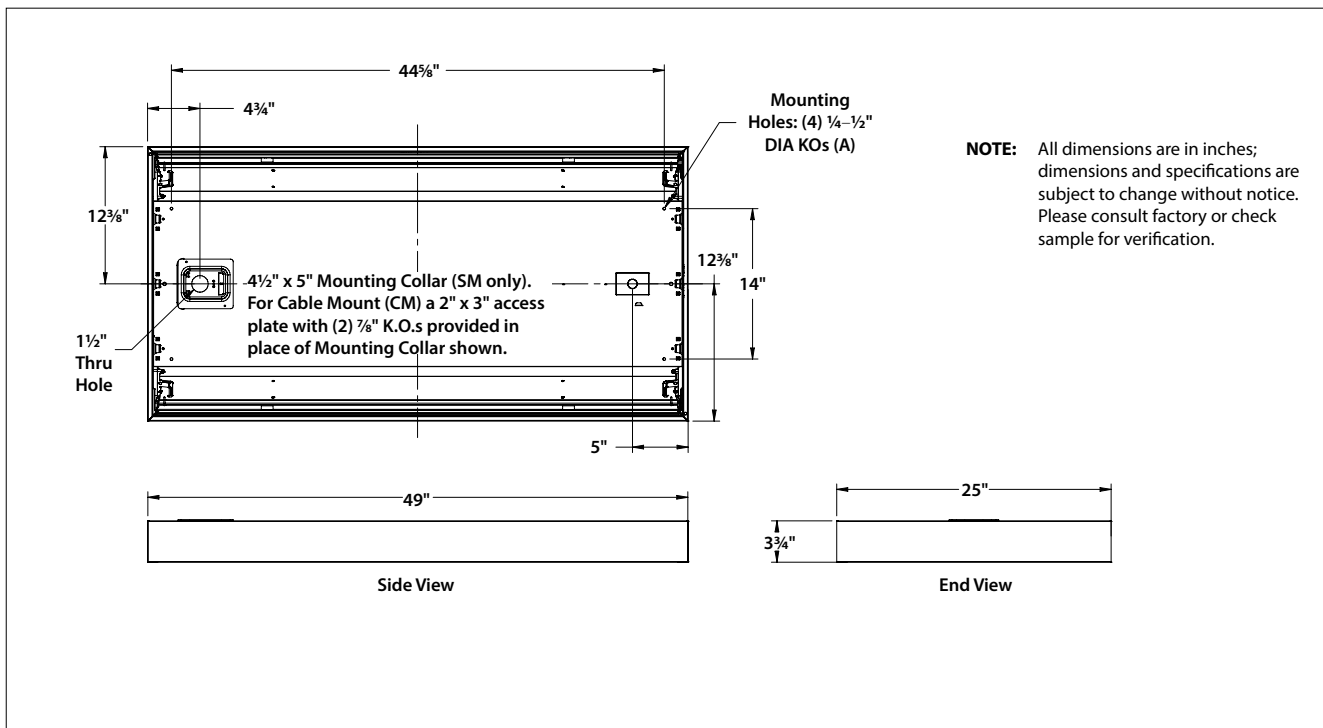
For hard ceiling applications order FK24 flange kit. Flange kit wires directly into concealed ceiling opening for a clean, finished appearance.



For flanged fixtures in row configurations, the FKCR adapter bracket kit is required in addition to the FK24 kit. Order one less FKCR than the total number of fixtures in row. (Example: Row of two, order (2) FK24 & (1) FKCR)

Row cut out dimensions using FK24 & FKCR adapters:
Width 24 3/8", Length [48" x (# in row)] + 3/8". Example: (48" x 2) + 3/8" = 96 3/8"
Flange kit rough in dimensions for single unit only: 24 3/8" x 48 3/8"

DIMENSIONAL DATA - SURFACE MOUNT (SM) AND CABLE MOUNT (CM)



NOTE: All dimensions are in inches; dimensions and specifications are subject to change without notice. Please consult factory or check sample for verification.

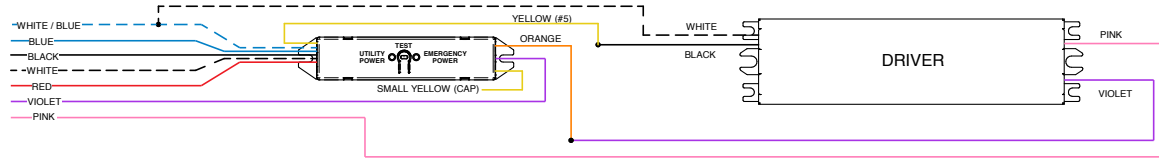
SURFACE MOUNT

Order SM ceiling type. Mounting collar required for surface mounting. (4) Mounting knock-outs, 1/4" to 1/2" provided as shown, marked "A".

CABLE MOUNT

Order CM ceiling type. Access plate supplied for cable mounting or suspension. Use CM48Y2C3F-KIT 48" cable mount kit. Includes 3 wire feed cord. For other wiring needs, contact Hubbell Lighting representative. Mounting knock-outs, 1/4" to 1/2", provided as shown, marked "A".

DTS WIRING DIAGRAM (0-10V DIMMING DRIVER SHOWN)



WHITE/BLUE	Emergency Neutral
BLUE	Emergency Line
BLACK	Utility Line (Unswitched Hot)
WHITE	Utility Neutral
RED	Switched Hot
VIOLET	Dimming
PINK	Dimming



INTERACTIVE MENU 

- Ordering Guide
- Product Availability Tables
- Photometric Data
- Dimensional Data

PROJECT INFORMATION

Project Name _____

Type _____

Catalog No. _____

Date _____

FEATURES

- Full distribution LED troffer
- Direct replacement for fluorescent 2x2
- Wet location option available
- Long-life, 60,000 hour LEDs at L80 reduce life cycle maintenance costs
- Four LED color choices and 80 CRI
- Many shielding choices
- Two door frame choices
- Metal to metal light leak protection on all four sides of shielding frame
- Fixed output, step dimming (high/low/off), 0-10V dimming, 0-10V dimming-dim to dark drivers available
- Hinged optical system allows easy access to LED modules and electrical from below the ceiling
- UL Sanitation certified per NSF standards
- All models standard with IC rating
- DLC® (DesignLights Consortium) Qualified, with some Premium Qualified configurations - see www.designlights.org
- Five year warranty



See Certification Specifications

LJT22

CONSTRUCTION

Luminaire housing, end caps, and reflectors are die-formed code-gauge cold-rolled steel. Optical system hinges from either side for easy access to LED module and electrical components. Mechanical light trap prevents light leaks.

FINISH

All metal parts processed with a multi-stage phosphate bonding treatment and finished with a high reflectance baked white enamel.

SHIELDING

Lens is high transmission pattern #12 acrylic (A12) for light diffusion without compromise to light output. Other shielding may be specified. If desired shielding media is not shown in ordering guide, contact your local Hubbell Lighting representative.

INSTALLATION

An access plate is furnished with each recessed fixture for fast wiring connections without the necessity to open the fixture or wireway.

CEILING COMPATIBILITY

Designed for recessed installation in standard inverted tee grid ceilings (G), recessed installation in hard ceilings (G with FK accessory), surface mount at ceiling plane (SM), or cable mount suspension below ceiling plane (CM). For compatibility with specific ceilings contact your Hubbell Lighting representative.

CERTIFICATION

All luminaires are built to UL 1598 and 2108 standards, and bear appropriate CSA labels. UL Sanitation Certified per NSF Standards. Damp location label standard, wet location labeling is optional. CSA certified to UL 924 standards with battery pack option. Adheres to LM79, LM80 and TM21 industry standards. IC rating is standard on all models. DLC® (DesignLights Consortium) Qualified, with some Premium Qualified configurations. Please refer to the DLC website for specific product qualifications at www.designlights.org.

This product qualifies as a "designated country construction material" per FAR 52.225-11 Buy American-Construction Materials under Trade Agreements effective 05/04/2022. See Buy American Solutions

WARRANTY

Five year warranty. (Terms and Conditions Apply)

ORDERING INFORMATION

EXAMPLE LJT22-35HLG-FSA12-EU

YOUR ORDER **LJT22 - - -**

LJT		22		-		-		
MODEL	SIZE	COLOR TEMP		LUMEN OUTPUT		CEILING TYPE		DOOR
LJT LED Lensed Troffer	22 2' x 2'	30 3000K	35 3500K	VW Very Low Watt	ML Medium Lumen	G Grid ¹	FS White Flush Steel	
		40 4000K	50 5000K	MW Medium Low Watt	HL High Lumen	SM Surface Mount	FA White Flush Aluminum	
				LW Low Watt	VL Very High Lumen	CM Cable Mount ²	RA Regressed Aluminum	
				XL Extra High Lumen	UL Ultra High Lumen			
				See Product Availability Table Below				

SHIELDING		DRIVER		VOLTAGE		OPTIONS	
A12 Pattern 12 Acrylic Lens		E Fixed Output		U 120V-277V		ELL14 Emergency Battery Pack Installed, 1400 Lumens ^{4,5,6,10}	
A12125 Pattern 12 Acrylic Lens, 0.125" Nominal		ED 0-10V Dimming		347 347V		C388 3-Wire Flex	
A12F Pattern 12 Frosted Acrylic Lens		ED1 0-10V 1% Dimming				C488 4-Wire Flex	
A12125F Pattern 12 Frosted Acrylic Lens, 0.125" Nominal		EDD 0-10V Dimming, Dim to Dark				C588 5-Wire Flex	
A19 Pattern 19 Acrylic Lens, 0.156" Nominal		ESD Step Dimming ^{3,4}				TB4 (4) Bulk T-Bar Clips	
A19F Pattern 19 Frosted Acrylic Lens 0.156"		LUTH Hi-lume 1% EcoSystem LED driver with Soft-on, Fade-to-Black dimming technology ^{2,4}				GLR Fast Blow Fuse	
						GTD Generator Transfer Device ⁷	
						G1 Single Gasketing (Door to Housing)	
						G2 Double Gasketing (G1 and Lens to Door)	
						G3 Triple Gasketing (G2 and Housing to Ceiling)	
						WL Wet Location (Select G2 or G3 Gasketing) ⁹	
						EOR End of Row (SM and CM only. Provides end wiring access for continuous row mounting.)	
						INT Intermediate (SM and CM only. Provides ends with wiring access for continuous row mounting.)	
						CP Chicago Plenum	

ACCESSORIES (ORDER SEPARATELY)

FK22	2' x 2' Single Flange Kit
CM48Y2SC3F-KIT	48" Cable Mount Kit for 2' wide CM ceiling type, 3-wire Feed Cord

¹ For hard ceilings use flange kit accessory
² Order hanger accessories separately
³ Not available in all lumen packages, see driver table below
⁴ Not available with 347V
⁵ Not available with surface or cable mount
⁶ For compatibility with Dual-Lite LiteGear® inverters in lieu of installed battery pack, contact Hubbell Lighting Representative
⁷ GTD available for E (fixed output) driver option only
⁹ FA door and Grid Ceiling only
¹⁰ UL lumen package not available with thru wire when ELL14 is ordered

Damp label—standard
 IC rating—standard

DRIVER AVAILABILITY TABLE

	VW	MW	LW	ML	HL	VL	XL	UL
E	X	X	X	X	X	X	X	X
ED	X	X	X	X	X	X	X	X
ED1	X	X	X	X	X	X	X	X
EDD	X	X	X	X	X	X	X	X
ESD		X	X	X	X	X	X	X
LUTH	X	X	X	X	X			

Product Availability			
Lumen Package	Lumens	Input Watts	LPW
LJT22-50VWG-FSA12-EU	1572	13	120
LJT22-40VWG-FSA12-EU	1443	13	110
LJT22-35VWG-FSA12-EU	1421	13	108
LJT22-30VWG-FSA12-EU	1380	13	105
LJT22-50MWG-FSA12-EU	2130	18	117
LJT22-40MWG-FSA12-EU	1956	18	107
LJT22-35MWG-FSA12-EU	1926	18	106
LJT22-30MWG-FSA12-EU	1870	18	103
LJT22-50LWG-FSA12-EU	2741	24	116
LJT22-40LWG-FSA12-EU	2517	24	106
LJT22-35LWG-FSA12-EU	2479	24	105
LJT22-30LWG-FSA12-EU	2407	24	102
LJT22-50MLG-FSA12-EU	3722	31	119
LJT22-40MLG-FSA12-EU	3419	31	109
LJT22-35MLG-FSA12-EU	3365	31	108
LJT22-30MLG-FSA12-EU	3267	31	104
LJT22-50HLG-FSA12-EU	4074	33	125
LJT22-40HLG-FSA12-EU	3743	33	114
LJT22-35HLG-FSA12-EU	3684	33	113
LJT22-30HLG-FSA12-EU	3577	33	109
LJT22-50VLG-FSA12-EU	4718	42	113
LJT22-40VLG-FSA12-EU	4334	42	104
LJT22-35VLG-FSA12-EU	4265	42	103
LJT22-30XLG-FSA12-EU	4684	40	119
LJT22-35XLG-FSA12-EU	4824	40	122
LJT22-40XLG-FSA12-EU	4899	40	124
LJT22-50XLG-FSA12-EU	5334	40	135
LJT22-30ULG-FSA12-EU	6212	53	117
LJT22-35ULG-FSA12-EU	6398	53	121
LJT22-40ULG-FSA12-EU	6497	53	123
LJT22-50ULG-FSA12-EU	7075	53	133

PHOTOMETRIC DATA

Test 16378 Test Date 06/30/2016

LUMINAIRE DATA

Luminaire	LJT22-40LWG-FSA12-EU LJT LED, Lensed Troffer 2' X 2' LED with A12 pattern acrylic prisms lens
Ballast	XI040C110V054BST1
Ballast Factor	1.00
Lamp	LED
Fixture Lumens	2518
Watts	23.70
Mounting	Recessed
Shielding Angle	0° = 90 90° = 90
Spacing Criterion	0° = 1.14 90° = 1.20
Luminous Opening in feet	Length: 1.92 Width: 1.92 Height: 0.00

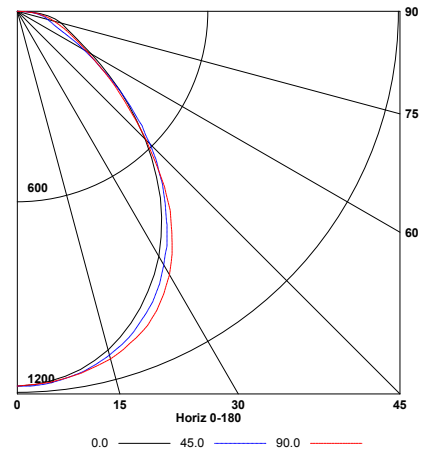
ENERGY DATA

Total Luminaire Efficiency	100.0%
Total Lumens per Watt	106
ANSI/IESNA RP-1-2004 Compliance	Noncompliant
Comparative Yearly Lighting Energy Cost per 1000 Lumens	\$2.29 based on 3000 hrs. and \$0.08 per KWH

ZONAL LUMEN SUMMARY

Zone	Lumens	%Lamp	%Fixt.
0-30	889	35.3	35.3
0-40	1401	55.6	55.6
0-60	2157	85.7	85.7
0-90	2518	100.0	100.0
0-180	2518	100.0	100.0

INDOOR CANDELA PLOT



Test 16381 Test Date 07/13/2016

LUMINAIRE DATA

Luminaire	LJT22-40MLG-FSA12-EU LJT LED, Lensed Troffer 2' X 2' LED with A12 pattern acrylic prisms lens
Ballast	XI040C110V054BST1
Ballast Factor	1.00
Lamp	LED
Fixture Lumens	3419
Watts	31.30
Mounting	Recessed
Shielding Angle	0° = 90 90° = 90
Spacing Criterion	0° = 1.14 90° = 1.20
Luminous Opening in feet	Length: 1.92 Width: 1.92 Height: 0.00

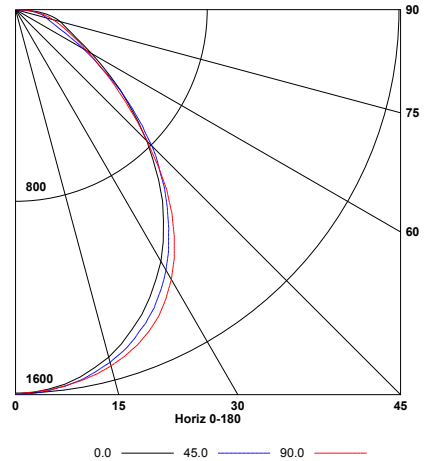
ENERGY DATA

Total Luminaire Efficiency	100.0%
Total Lumens per Watt	109
ANSI/IESNA RP-1-2004 Compliance	Noncompliant
Comparative Yearly Lighting Energy Cost per 1000 Lumens	\$2.18 based on 3000 hrs. and \$0.08 per KWH

ZONAL LUMEN SUMMARY

Zone	Lumens	%Lamp	%Fixt.
0-30	1209	35.3	35.3
0-40	1903	55.7	55.7
0-60	2930	85.7	85.7
0-90	3419	100.0	100.0
0-180	3419	100.0	100.0

INDOOR CANDELA PLOT



Test 16384 Test Date 07/13/2016

LUMINAIRE DATA

Luminaire	LJT22-40HLG-FSA12-EU LJT LED, Lensed Troffer 2' X 2' LED with A12 pattern acrylic prisms lens
Ballast	XI040C110V054BST1
Ballast Factor	1.00
Lamp	LED
Fixture Lumens	3743
Watts	32.70
Mounting	Recessed
Shielding Angle	0° = 90 90° = 90
Spacing Criterion	0° = 1.14 90° = 1.20
Luminous Opening in feet	Length: 1.92 Width: 1.92 Height: 0.00

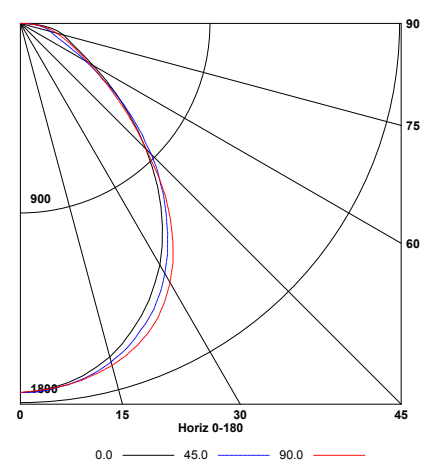
ENERGY DATA

Total Luminaire Efficiency	100.0%
Total Lumens per Watt	114
ANSI/IESNA RP-1-2004 Compliance	Noncompliant
Comparative Yearly Lighting Energy Cost per 1000 Lumens	\$2.12 based on 3000 hrs. and \$0.08 per KWH

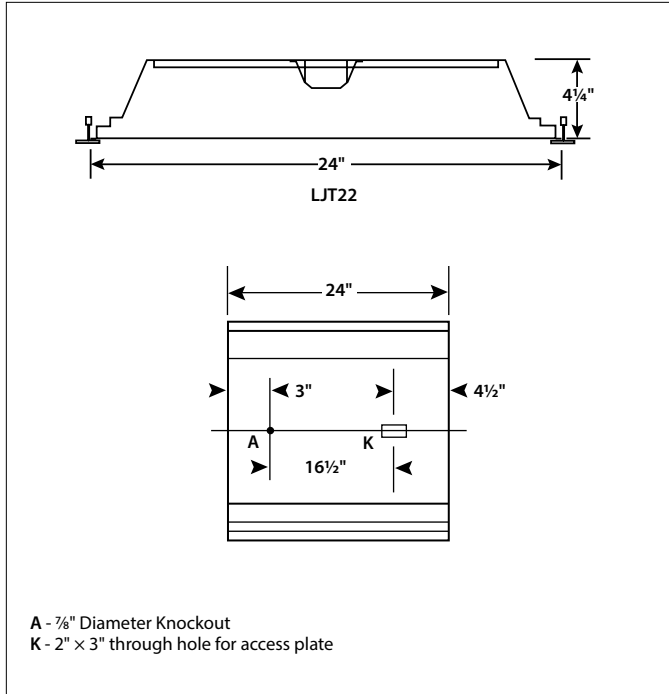
ZONAL LUMEN SUMMARY

Zone	Lumens	%Lamp	%Fixt.
0-30	1321	35.3	35.3
0-40	2081	55.6	55.6
0-60	3206	85.7	85.7
0-90	3743	100.0	100.0
0-180	3743	100.0	100.0

INDOOR CANDELA PLOT

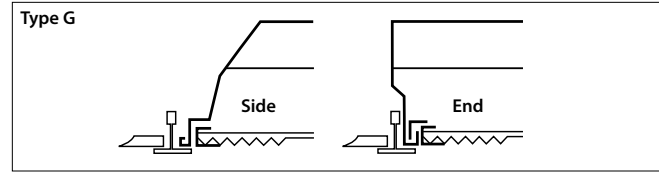


DIMENSIONAL DATA

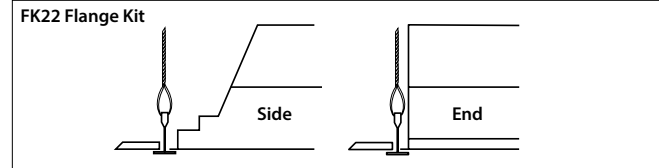


NOTE: All dimensions are in inches; dimensions and specifications are subject to change without notice. Please consult factory or check sample for verification.

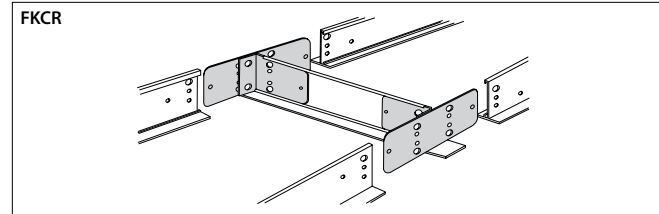
CEILING COMPATIBILITY



For lay-in installation in exposed grid ceilings. Maximum tee widths of 1" and maximum tee heights of 2" allowed.



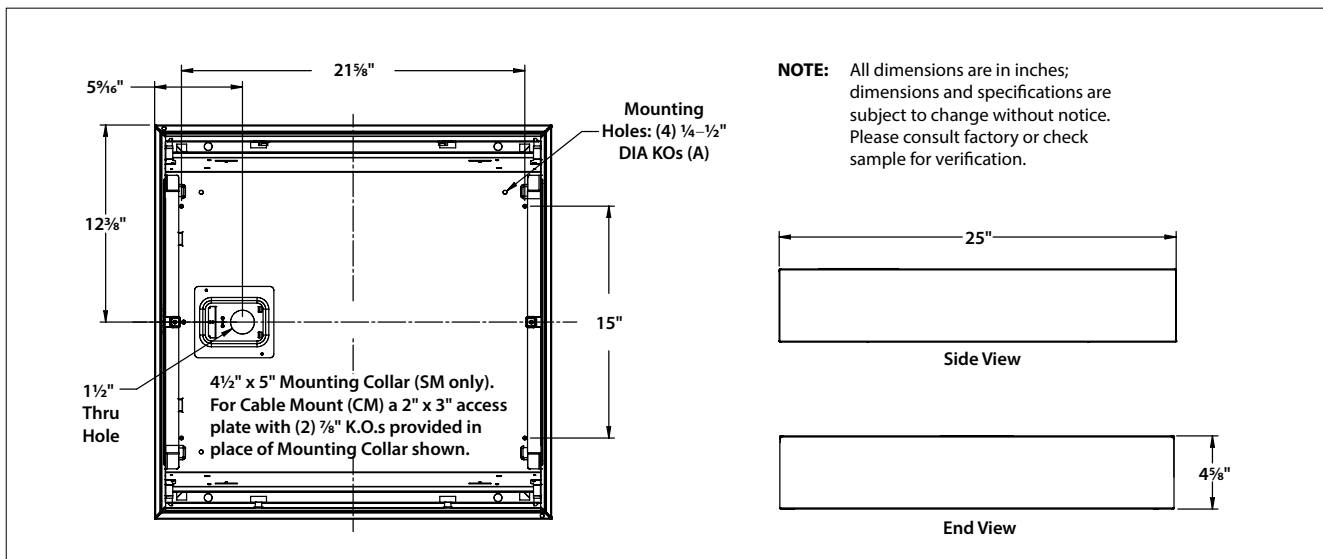
For hard ceiling applications order FK22 flange kit. Flange kit wires directly into concealed ceiling opening for a clean, finished appearance.



For flanged fixtures in row configurations, the FKCR adapter bracket kit is required in addition to the FK22 kit. Order one less FKCR than the total number of fixtures in row. (Example: Row of two, order (2) FK22 & (1) FKCR)

Row cut out dimensions using FK22 & FKCR adapters:
Width 24 3/8", Length [24" x (# in row)] + 3/4". Example: (24" x 2) + 3/4" = 48 3/8"
Flange kit rough in dimensions for single unit only: 24 3/8" x 24 3/8"

DIMENSIONAL DATA - SURFACE MOUNT (SM) OR CABLE MOUNT (CM)



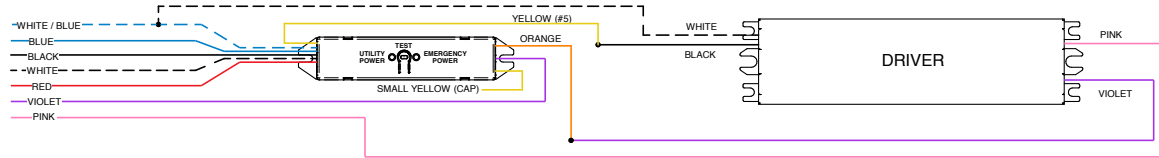
SURFACE MOUNT

Order SM ceiling type. Mounting collar required for surface mounting. (4) Mounting knock-outs, 1/4" to 1/2" provided as shown, marked "A".

CABLE MOUNT

Order CM ceiling type. Access plate supplied for cable mounting or suspension. Use CM48Y2C3F-KIT 48" cable mount kit. Includes 3 wire feed cord. For other wiring needs, contact Hubbell Lighting representative. Mounting knock-outs, 1/4" to 1/2", provided as shown, marked "A".

DTS WIRING DIAGRAM (0-10V DIMMING DRIVER SHOWN)



WHITE/BLUE	Emergency Neutral
BLUE	Emergency Line
BLACK	Utility Line (Unswitched Hot)
WHITE	Utility Neutral
RED	Switched Hot
VIOLET	Dimming
PINK	Dimming



INTERACTIVE MENU 

- Ordering Guide
- Product Availability Tables
- Photometric Data
- Dimensional Data

PROJECT INFORMATION

Project Name _____

Type _____

Catalog No. _____

Date _____

FEATURES

- Full distribution LED troffer
- Direct replacement for fluorescent 2x2
- Wet location option available
- Long-life, 60,000 hour LEDs at L80 reduce life cycle maintenance costs
- Four LED color choices and 80 CRI
- Many shielding choices
- Two door frame choices
- Metal to metal light leak protection on all four sides of shielding frame
- Fixed output, step dimming (high/low/off), 0-10V dimming, 0-10V dimming-dim to dark drivers available
- Hinged optical system allows easy access to LED modules and electrical from below the ceiling
- UL Sanitation certified per NSF standards
- All models standard with IC rating
- DLC® (DesignLights Consortium) Qualified, with some Premium Qualified configurations - see www.designlights.org
- Five year warranty



LJT22

CONSTRUCTION

Luminaire housing, end caps, and reflectors are die-formed code-gauge cold-rolled steel. Optical system hinges from either side for easy access to LED module and electrical components. Mechanical light trap prevents light leaks.

FINISH

All metal parts processed with a multi-stage phosphate bonding treatment and finished with a high reflectance baked white enamel.

SHIELDING

Lens is high transmission pattern #12 acrylic (A12) for light diffusion without compromise to light output. Other shielding may be specified. If desired shielding media is not shown in ordering guide, contact your local Hubbell Lighting representative.

INSTALLATION

An access plate is furnished with each recessed fixture for fast wiring connections without the necessity to open the fixture or wireway.

CEILING COMPATIBILITY

Designed for recessed installation in standard inverted tee grid ceilings (G), recessed installation in hard ceilings (G with FK accessory), surface mount at ceiling plane (SM), or cable mount suspension below ceiling plane (CM). For compatibility with specific ceilings contact your Hubbell Lighting representative.

CERTIFICATION

All luminaires are built to UL 1598 and 2108 standards, and bear appropriate CSA labels. UL Sanitation Certified per NSF Standards. Damp location label standard, wet location labeling is optional. CSA certified to UL 924 standards with battery pack option. Adheres to LM79, LM80 and TM21 industry standards. IC rating is standard on all models. DLC® (DesignLights Consortium) Qualified, with some Premium Qualified configurations. Please refer to the DLC website for specific product qualifications at www.designlights.org.

This product qualifies as a "designated country construction material" per FAR 52.225-11 Buy American-Construction Materials under Trade Agreements effective 05/04/2022. See Buy American Solutions

WARRANTY

Five year warranty. (Terms and Conditions Apply)

ORDERING INFORMATION

EXAMPLE LJT22-35HLG-FSA12-EU

YOUR ORDER **LJT22 - - -**

LJT		22		-		-		
MODEL	SIZE	COLOR TEMP		LUMEN OUTPUT		CEILING TYPE		DOOR
LJT LED Lensed Troffer	22 2' x 2'	30 3000K	35 3500K	VW Very Low Watt	HL High Lumen	G Grid ¹	FS White Flush Steel	
		40 4000K	50 5000K	MW Medium Low Watt	VL Very High Lumen	SM Surface Mount	FA White Flush Aluminum	
				LW Low Watt	XL Extra High Lumen	CM Cable Mount ²	RA Regressed Aluminum	
				ML Medium Lumen	UL Ultra High Lumen			
				HL High Lumen	See Product Availability Table Below			
				VL Very High Lumen				
				XL Extra High Lumen				
				UL Ultra High Lumen				

SHIELDING		DRIVER		VOLTAGE		OPTIONS	
A12 Pattern 12 Acrylic Lens		E Fixed Output		U 120V-277V		ELL14 Emergency Battery Pack Installed, 1400 Lumens ^{4,5,6,10}	
A12125 Pattern 12 Acrylic Lens, 0.125" Nominal		ED 0-10V Dimming		347 347V		C388 3-Wire Flex	
A12F Pattern 12 Frosted Acrylic Lens		ED1 0-10V 1% Dimming				C488 4-Wire Flex	
A12125F Pattern 12 Frosted Acrylic Lens, 0.125" Nominal		EDD 0-10V Dimming, Dim to Dark				C588 5-Wire Flex	
A19 Pattern 19 Acrylic Lens, 0.156" Nominal		ESD Step Dimming ^{3,4}				TB4 (4) Bulk T-Bar Clips	
A19F Pattern 19 Frosted Acrylic Lens 0.156"		LUTH Hi-lume 1% EcoSystem LED driver with Soft-on, Fade-to-Black dimming technology ^{2,4}				GLR Fast Blow Fuse	

ACCESSORIES (ORDER SEPARATELY)

FK22	2' x 2' Single Flange Kit
CM48Y2SC3F-KIT	48" Cable Mount Kit for 2' wide CM ceiling type, 3-wire Feed Cord

INT Intermediate (SM and CM only. Provides ends with wiring access for continuous row mounting.)
CP Chicago Plenum

¹ For hard ceilings use flange kit accessory
² Order hanger accessories separately
³ Not available in all lumen packages, see driver table below
⁴ Not available with 347V
⁵ Not available with surface or cable mount
⁶ For compatibility with Dual-Lite LiteGear® inverters in lieu of installed battery pack, contact Hubbell Lighting Representative
⁷ GTD available for E (fixed output) driver option only
⁸ FA door and Grid Ceiling only
¹⁰ UL lumen package not available with thru wire when ELL14 is ordered

Damp label—standard
 IC rating—standard

DRIVER AVAILABILITY TABLE

	VW	MW	LW	ML	HL	VL	XL	UL
E	X	X	X	X	X	X	X	X
ED	X	X	X	X	X	X	X	X
ED1	X	X	X	X	X	X	X	X
EDD	X	X	X	X	X	X	X	X
ESD		X	X	X	X	X	X	X
LUTH	X	X	X	X	X			

Product Availability			
Lumen Package	Lumens	Input Watts	LPW
LJT22-50VWG-FSA12-EU	1572	13	120
LJT22-40VWG-FSA12-EU	1443	13	110
LJT22-35VWG-FSA12-EU	1421	13	108
LJT22-30VWG-FSA12-EU	1380	13	105
LJT22-50MWG-FSA12-EU	2130	18	117
LJT22-40MWG-FSA12-EU	1956	18	107
LJT22-35MWG-FSA12-EU	1926	18	106
LJT22-30MWG-FSA12-EU	1870	18	103
LJT22-50LWG-FSA12-EU	2741	24	116
LJT22-40LWG-FSA12-EU	2517	24	106
LJT22-35LWG-FSA12-EU	2479	24	105
LJT22-30LWG-FSA12-EU	2407	24	102
LJT22-50MLG-FSA12-EU	3722	31	119
LJT22-40MLG-FSA12-EU	3419	31	109
LJT22-35MLG-FSA12-EU	3365	31	108
LJT22-30MLG-FSA12-EU	3267	31	104
LJT22-50HLG-FSA12-EU	4074	33	125
LJT22-40HLG-FSA12-EU	3743	33	114
LJT22-35HLG-FSA12-EU	3684	33	113
LJT22-30HLG-FSA12-EU	3577	33	109
LJT22-50VLG-FSA12-EU	4718	42	113
LJT22-40VLG-FSA12-EU	4334	42	104
LJT22-35VLG-FSA12-EU	4265	42	103
LJT22-30XLG-FSA12-EU	4684	40	119
LJT22-35XLG-FSA12-EU	4824	40	122
LJT22-40XLG-FSA12-EU	4899	40	124
LJT22-50XLG-FSA12-EU	5334	40	135
LJT22-30ULG-FSA12-EU	6212	53	117
LJT22-35ULG-FSA12-EU	6398	53	121
LJT22-40ULG-FSA12-EU	6497	53	123
LJT22-50ULG-FSA12-EU	7075	53	133

PHOTOMETRIC DATA

Test 16378 Test Date 06/30/2016

LUMINAIRE DATA

Luminaire	LJT22-40LWG-FSA12-EU LJT LED, Lensed Troffer 2' X 2' LED with A12 pattern acrylic prisms lens
Ballast	XI040C110V054BST1
Ballast Factor	1.00
Lamp	LED
Fixture Lumens	2518
Watts	23.70
Mounting	Recessed
Shielding Angle	0° = 90 90° = 90
Spacing Criterion	0° = 1.14 90° = 1.20
Luminous Opening in feet	Length: 1.92 Width: 1.92 Height: 0.00

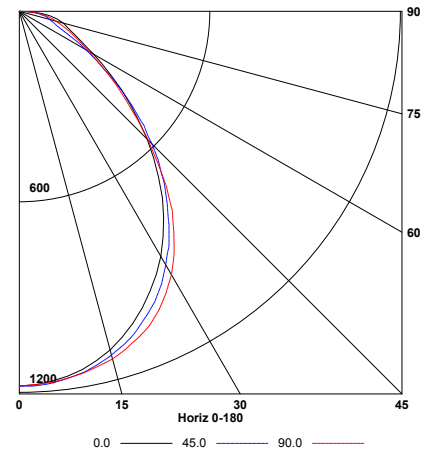
ENERGY DATA

Total Luminaire Efficiency	100.0%
Total Lumens per Watt	106
ANSI/IESNA RP-1-2004 Compliance	Noncompliant
Comparative Yearly Lighting Energy Cost per 1000 Lumens	\$2.29 based on 3000 hrs. and \$0.08 per KWH

ZONAL LUMEN SUMMARY

Zone	Lumens	%Lamp	%Fixt.
0-30	889	35.3	35.3
0-40	1401	55.6	55.6
0-60	2157	85.7	85.7
0-90	2518	100.0	100.0
0-180	2518	100.0	100.0

INDOOR CANDELA PLOT



Test 16381 Test Date 07/13/2016

LUMINAIRE DATA

Luminaire	LJT22-40MLG-FSA12-EU LJT LED, Lensed Troffer 2' X 2' LED with A12 pattern acrylic prisms lens
Ballast	XI040C110V054BST1
Ballast Factor	1.00
Lamp	LED
Fixture Lumens	3419
Watts	31.30
Mounting	Recessed
Shielding Angle	0° = 90 90° = 90
Spacing Criterion	0° = 1.14 90° = 1.20
Luminous Opening in feet	Length: 1.92 Width: 1.92 Height: 0.00

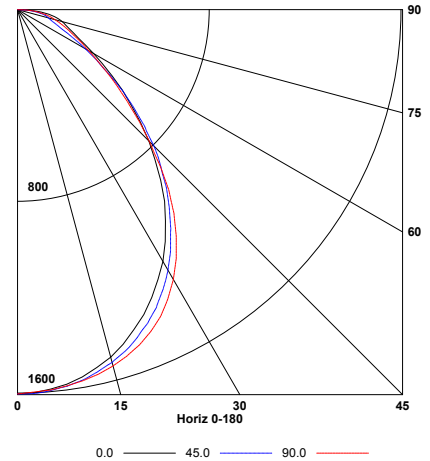
ENERGY DATA

Total Luminaire Efficiency	100.0%
Total Lumens per Watt	109
ANSI/IESNA RP-1-2004 Compliance	Noncompliant
Comparative Yearly Lighting Energy Cost per 1000 Lumens	\$2.18 based on 3000 hrs. and \$0.08 per KWH

ZONAL LUMEN SUMMARY

Zone	Lumens	%Lamp	%Fixt.
0-30	1209	35.3	35.3
0-40	1903	55.7	55.7
0-60	2930	85.7	85.7
0-90	3419	100.0	100.0
0-180	3419	100.0	100.0

INDOOR CANDELA PLOT



Test 16384 Test Date 07/13/2016

LUMINAIRE DATA

Luminaire	LJT22-40HLG-FSA12-EU LJT LED, Lensed Troffer 2' X 2' LED with A12 pattern acrylic prisms lens
Ballast	XI040C110V054BST1
Ballast Factor	1.00
Lamp	LED
Fixture Lumens	3743
Watts	32.70
Mounting	Recessed
Shielding Angle	0° = 90 90° = 90
Spacing Criterion	0° = 1.14 90° = 1.20
Luminous Opening in feet	Length: 1.92 Width: 1.92 Height: 0.00

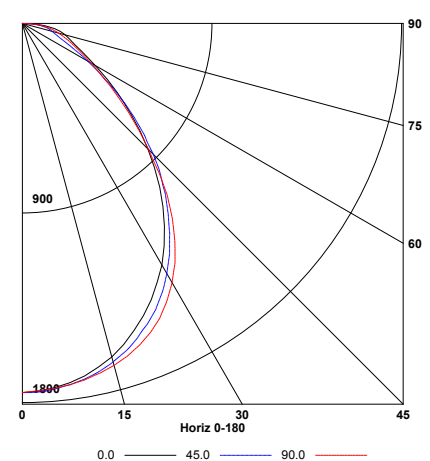
ENERGY DATA

Total Luminaire Efficiency	100.0%
Total Lumens per Watt	114
ANSI/IESNA RP-1-2004 Compliance	Noncompliant
Comparative Yearly Lighting Energy Cost per 1000 Lumens	\$2.12 based on 3000 hrs. and \$0.08 per KWH

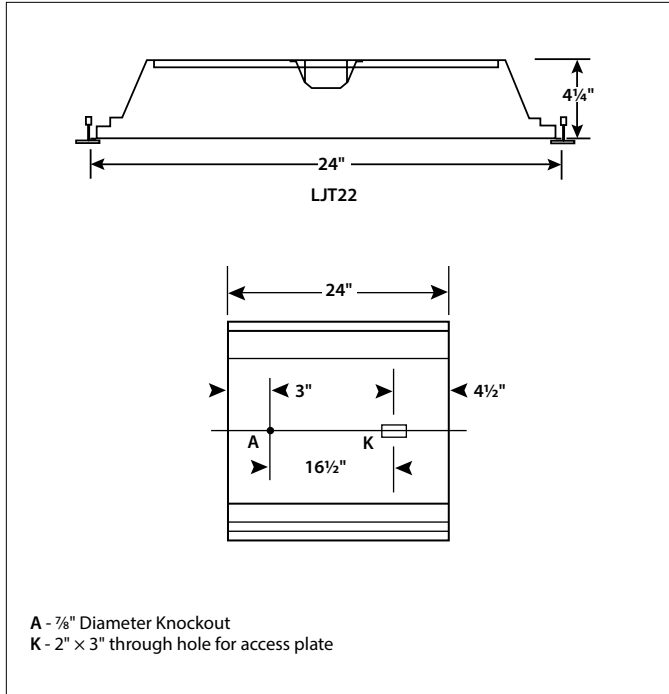
ZONAL LUMEN SUMMARY

Zone	Lumens	%Lamp	%Fixt.
0-30	1321	35.3	35.3
0-40	2081	55.6	55.6
0-60	3206	85.7	85.7
0-90	3743	100.0	100.0
0-180	3743	100.0	100.0

INDOOR CANDELA PLOT

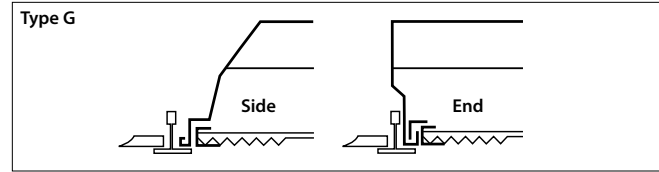


DIMENSIONAL DATA

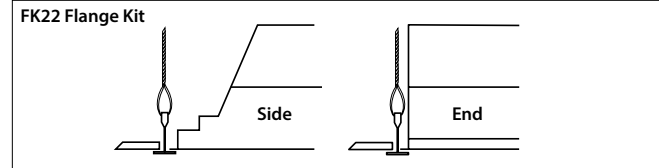


NOTE: All dimensions are in inches; dimensions and specifications are subject to change without notice. Please consult factory or check sample for verification.

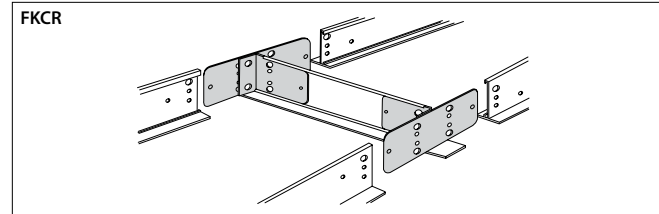
CEILING COMPATIBILITY



For lay-in installation in exposed grid ceilings. Maximum tee widths of 1" and maximum tee heights of 2" allowed.



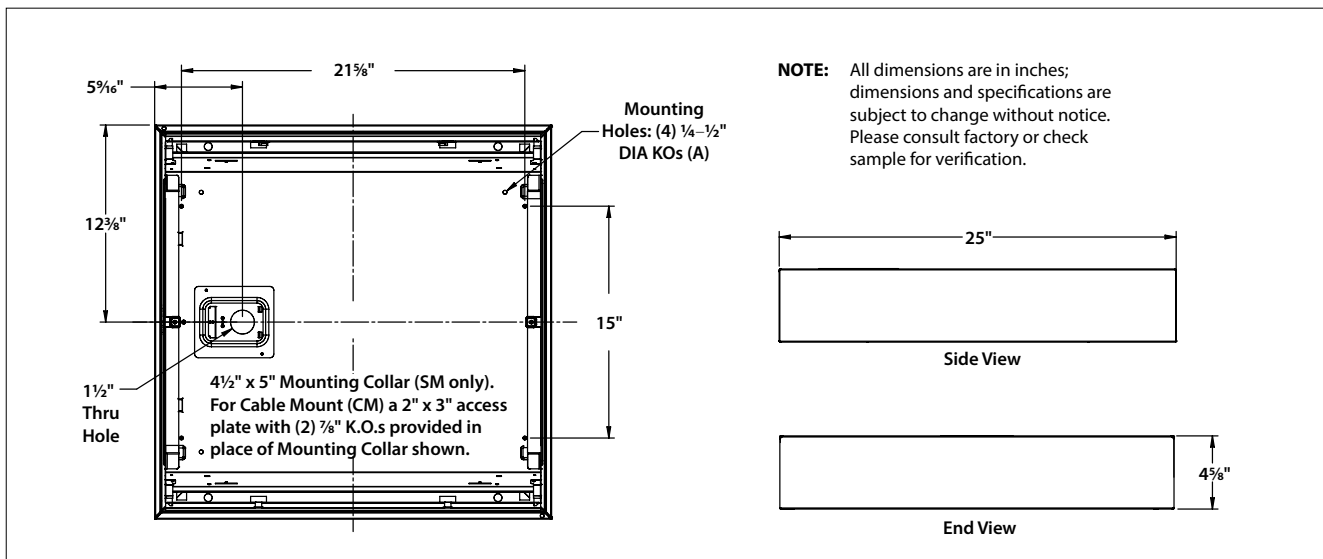
For hard ceiling applications order FK22 flange kit. Flange kit wires directly into concealed ceiling opening for a clean, finished appearance.



For flanged fixtures in row configurations, the FKCR adapter bracket kit is required in addition to the FK22 kit. Order one less FKCR than the total number of fixtures in row. (Example: Row of two, order (2) FK22 & (1) FKCR)

Row cut out dimensions using FK22 & FKCR adapters:
Width 24 3/8", Length [24" x (# in row)] + 3/4". Example: (24" x 2) + 3/4" = 48 3/8"
Flange kit rough in dimensions for single unit only: 24 3/8" x 24 3/8"

DIMENSIONAL DATA - SURFACE MOUNT (SM) OR CABLE MOUNT (CM)



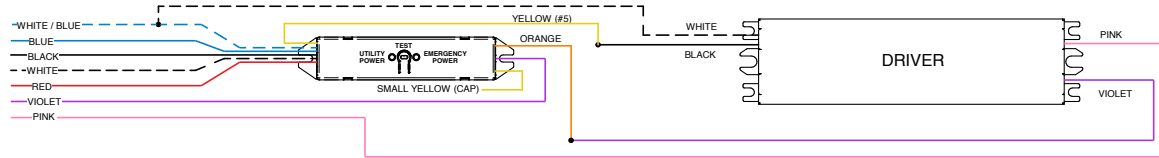
SURFACE MOUNT

Order SM ceiling type. Mounting collar required for surface mounting. (4) Mounting knock-outs, 1/4" to 1/2" provided as shown, marked "A".

CABLE MOUNT

Order CM ceiling type. Access plate supplied for cable mounting or suspension. Use CM48Y2C3F-KIT 48" cable mount kit. Includes 3 wire feed cord. For other wiring needs, contact Hubbell Lighting representative. Mounting knock-outs, 1/4" to 1/2", provided as shown, marked "A".

DTS WIRING DIAGRAM (0-10V DIMMING DRIVER SHOWN)



WHITE/BLUE	Emergency Neutral
BLUE	Emergency Line
BLACK	Utility Line (Unswitched Hot)
WHITE	Utility Neutral
RED	Switched Hot
VIOLET	Dimming
PINK	Dimming

WGH LED SERIES

SWITCHABLE – GLASS WALLPACK

FEATURES

- Three sizes: Small, Medium and Large
- 20–120 Watts
- Field switchable lumens in WGH1 (3000–7000 lumens)
- Field switchable lumens and LED color temperature in WGH2 and WGH3 (4000K, 4500K, & 5000K)
- Standard bronze finish
- Up to 150 lumens per watt
- Borosilicate glass refractor softens LED pixilation and provides uniform distribution



tradeSELECT®



RELATED PRODUCTS

- ◊ [Sling Canopy](#)
- ◊ [Sling Dusk To Dawn](#)
- ◊ [PRS](#)

SPECIFICATIONS

CONSTRUCTION

- Die-cast Aluminum Frame holds and seals to housing with 2 stainless steel screws
- Built in button photocell with shorting cap on WGH2 and WGH3; Available with and without photocell in WGH1
- Cast aluminum housing has three 1/2" conduit entries on top and sides
- All units have dark bronze matte textured powder coat finish (matches Hubbell DBT finish)
- Operating Temp -40C to 40C

OPTICS

- High efficacies, up to 150 LPW
- Impact resistant borosilicate glass lens

INSTALLATION

- Door assembly hinges on side
- Leveling device contained inside the housing for ease of installation

ELECTRICAL

- Universal Voltage (120-277V)
- Dimmable drivers standard
- Built in 6kV surge protector
- WGH1 wattage includes 20, 30, 40, 50
- WGH2 wattage includes 30, 40, 50, 60, 70
- WGH3 wattage includes 80, 90, 100, 110, 120

CERTIFICATIONS

- Listed to UL1598 and CSA C22.2#250.0-24 for wet locations and 40°C ambient temperatures
- Wet listed
- Consortium (DLC) standard & premium qualifications, consult DLC website for more details: <http://www.designlights.org/QPL>
- IP65 rated housing

WARRANTY

- See [HLI Standard Warranty](#) for additional information

KEY DATA	
Lumen Range	2,959–17,142
Wattage Range	20–120
Efficacy Range (LPW)	139–152
Fixture Projected Life (Hours)	>60K

ORDERING GUIDE

Housing	Catalog Number	Wattage	Voltage	Dist. Type	Delivered Lumens	LPW	CCT	Weight lbs. (kg)
Small	WGH1-LS-4K	20-50W	120-277V	4	3,000-7,000	140-146	4000K	8.38 (3.8)
Small	WGH1-LS-4K-PC	20-50W	120-277V	4	3,000-7,000	140-146	4000K	8.38 (3.8)
Medium	WGH2-LSCS	30–70W	120-277V	4	4,600–10,000	140–150	4000K, 4500K, 5000K	10.80 (4.9)
Large	WGH3-LSCS	80–120W	120-277V	4	9,800–17,150	139–149	4000K, 4500K, 5000K	13.89 (6.3)

WGH LED

GLASS WALLPACK

PERFORMANCE DATA

Description	SYSTEM WATTS	Distribution Type	5K (5000K NOMINAL)					45K (4500K NOMINAL)					4K (4000K NOMINAL)				
			Lumens	LPW	B	U	G	Lumens	LPW	B	U	G	Lumens	LPW	B	U	G
WGH1	20W	4	N/A	N/A	N/A	N/A	N/A	N/A	N/A	N/A	N/A	N/A	2959	146	1	3	2
	30W	4	N/A	N/A	N/A	N/A	N/A	N/A	N/A	N/A	N/A	N/A	4371	146	1	3	3
	40W	4	N/A	N/A	N/A	N/A	N/A	N/A	N/A	N/A	N/A	N/A	5619	143	1	3	3
	50W	4	N/A	N/A	N/A	N/A	N/A	N/A	N/A	N/A	N/A	N/A	6951	140	1	3	3
WGH2	30W	4	4663	141	1	4	3	4758	144	1	4	3	4624	140	1	4	3
	40W	4	5496	141	1	4	4	5608	144	1	4	4	5450	140	1	4	4
	50W	4	7112	141	1	4	4	7257	144	1	4	4	7053	140	1	4	4
	60W	4	8435	141	1	5	5	8607	144	1	5	5	8364	140	1	5	5
	70W	4	9797	141	1	5	5	9997	150	1	5	5	9714	145	1	5	5
WGH3	80W	4	11581	146	2	4	5	12070	152	2	4	5	11662	147	2	4	5
	90W	4	12621	140	2	4	5	13131	146	2	4	5	12682	141	2	4	5
	100W	4	14055	140	3	5	5	14622	146	3	5	5	14123	141	3	5	5
	110W	4	15472	141	3	5	5	16096	146	3	5	5	15547	141	3	5	5
	120W	4	16477	139	3	5	5	17142	149	3	5	5	16557	139	3	5	5

ELECTRICAL DATA

WGH1-Small

Nominal Wattage	Input Voltage	Oper. Current (Amps)	System Power (Watts)
20	120	0.17	20.3
	208	0.10	
	240	0.08	
	277	0.07	
30	120	0.25	30.0
	208	0.14	
	240	0.13	
	277	0.11	
40	120	0.33	39.2
	208	0.19	
	240	0.16	
	277	0.14	
50	120	0.42	49.8
	208	0.24	
	240	0.21	
	277	0.18	

WGH LED

GLASS WALLPACK

ELECTRICAL DATA (CONTINUED)

WGH2-Medium

Nominal Wattage	Input Voltage	Oper. Current (Amps)	System Power (Watts)
30	120	0.24	29.3
	208	0.14	
	240	0.12	
	277	0.11	
40	120	0.34	41.2
	208	0.20	
	240	0.17	
	277	0.15	
50	120	0.44	53.1
	208	0.26	
	240	0.22	
	277	0.19	
60	120	0.49	59.2
	208	0.28	
	240	0.25	
	277	0.21	
70	120	0.56	66.8
	208	0.32	
	240	0.28	
	277	0.24	

WGH3-Large

Nominal Wattage	Input Voltage	Oper. Current (Amps)	System Power (Watts)
80	120	0.66	79.6
	208	0.38	
	240	0.33	
	277	0.29	
90	120	0.74	88.2
	208	0.42	
	240	0.37	
	277	0.32	
100	120	0.84	100.2
	208	0.48	
	240	0.42	
	277	0.36	
110	120	0.91	109.2
	208	0.53	
	240	0.46	
	277	0.39	
120	120	0.99	118.9
	208	0.57	
	240	0.50	
	277	0.43	

LUMINAIRE AMBIENT TEMPERATURE FACTOR (LATF)

Ambient Temperature		Lumen Multiplier
0°C	32°F	1.03
10°C	50°F	1.01
20°C	68°F	1.00
25°C	77°F	1.00
30°C	86°F	0.99
40°C	104°F	0.98
50°C	122°F	0.97

Use these factors to determine relative lumen output for average ambient temperatures from 0-40°C (32-104°F).

WGH LED

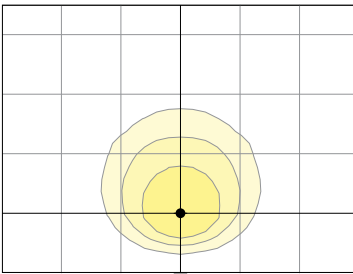
GLASS WALLPACK

PROJECTED LUMEN MAINTENANCE

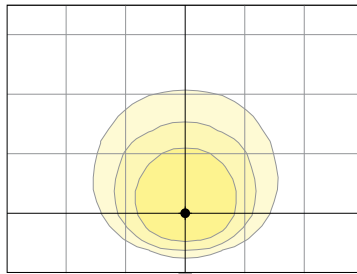
Ambient Temperature	OPERATING HOURS					
	0	25,000	TM-21-11 L96 60,000	50,000	100,000	L70 (Hours)
25°C / 77°F	1.00	0.97	0.95	0.93	0.84	205,000
40°C / 104°F	0.99	0.95	0.93	0.90	0.81	178,000

PHOTOMETRY

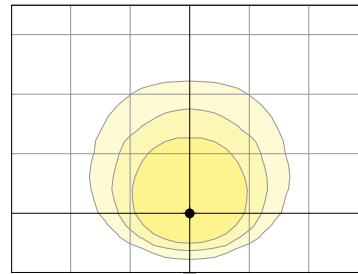
WGH1 - 20W



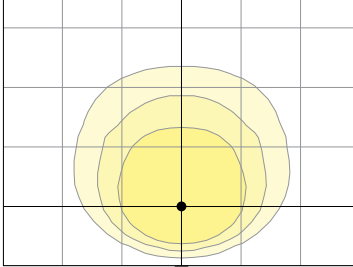
WGH1 - 30W



WGH1 - 40W



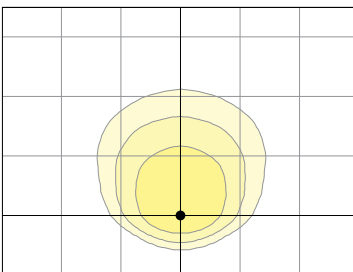
WGH1 - 50W



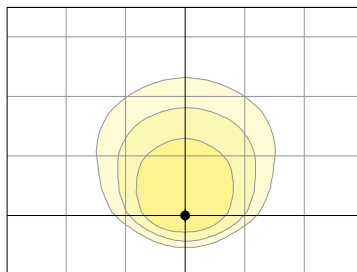
Switchable from 20 to 50 watts



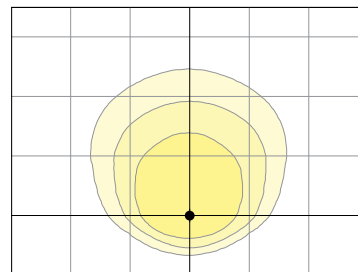
WGH2 - 30W



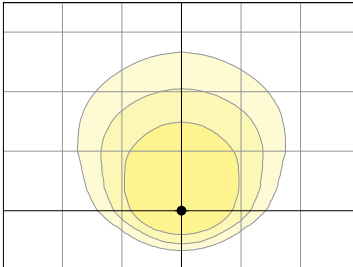
WGH2 - 40W



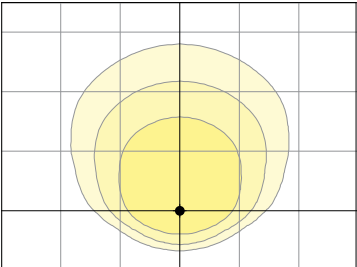
WGH2 - 50W



WGH2 - 60W



WGH2 - 70W



Switchable from 30 to 70 watts,
CCT switchable 4K, 45K, 5K

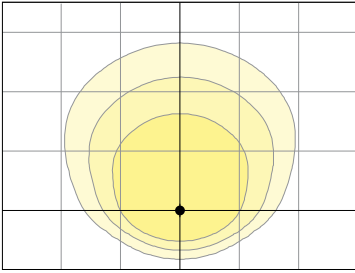


WGH LED

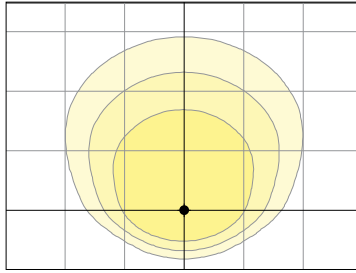
GLASS WALLPACK

PHOTOMETRY (CONTINUED)

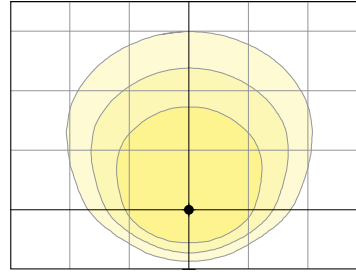
WGH3 - 80W



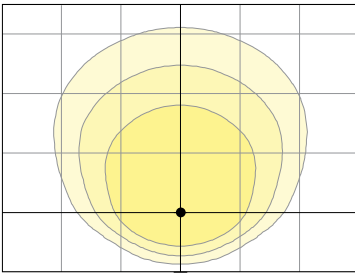
WGH3 - 90W



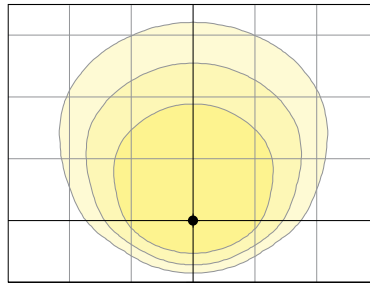
WGH3 - 100W



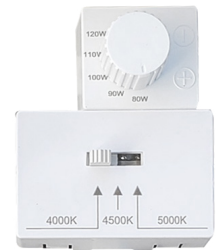
WGH3 - 110W



WGH3 - 120W

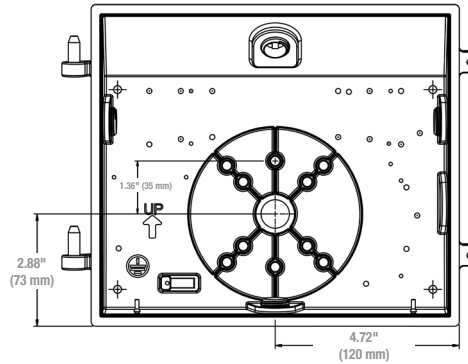
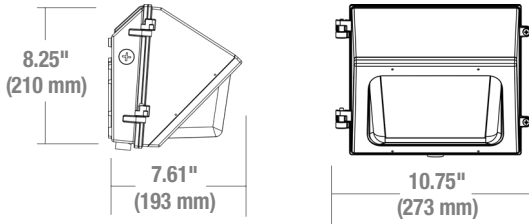


Switchable from 80 to 120 watts,
CCT switchable 4K, 45K, 5K

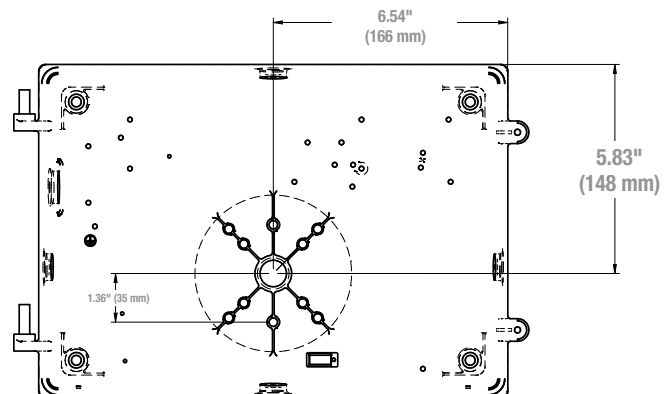
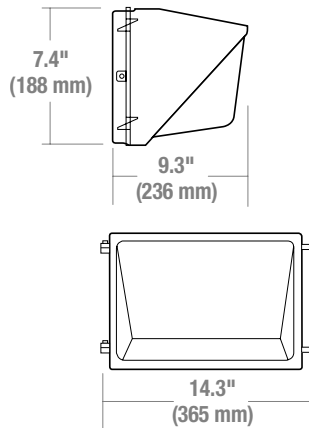


DIMENSIONS

WGH1



WGH2

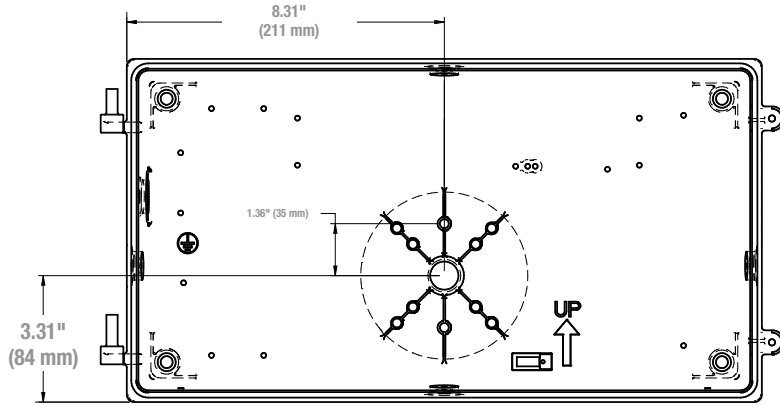
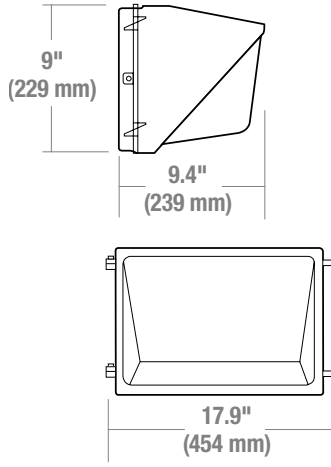


WGH LED

GLASS WALLPACK

DIMENSIONS (CONTINUED)

WGH3



LEVEL SYSTEM



Incorporated level system in fixture

USE OF TRADEMARKS AND TRADE NAMES

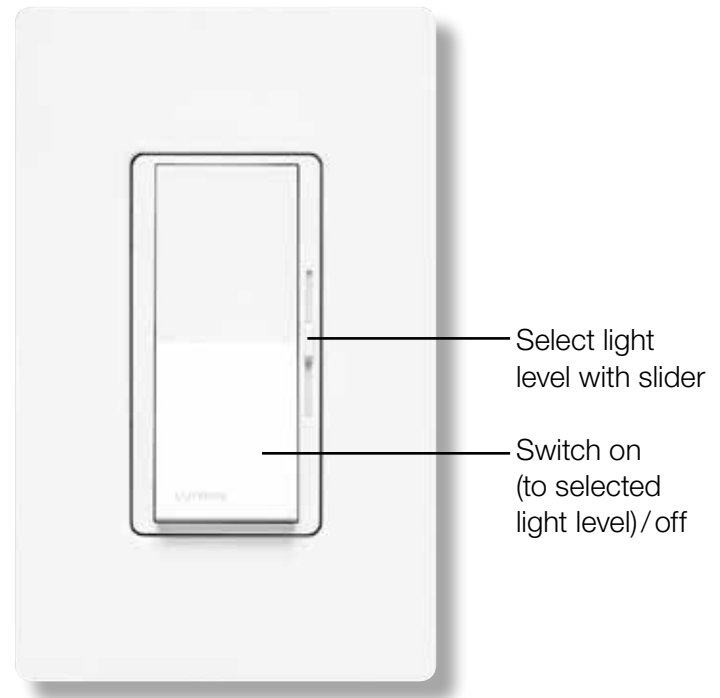
All product and company names, logos and product identifies are trademarks™ or registered trademarks® of Hubbell Lighting, Inc. or their respective owners. Use of them does not necessarily imply any affiliation with or endorsement by such respective owners.

Diva 0–10 V Controls

Controls for 0–10 V LED drivers and fluorescent ballasts.

Features

- Large paddle switch with a captive linear-slide control for a standard designer-opening wallplate.
- 0–10 V control link controls third party fixtures.
- DVSTV- wires as single pole or 3-way, 120–277 V~ switch.
- DVTV- wires as a 24 V=== switch. A power pack is required to switch 120–277 V~ and 347 V~.
- Patented switching technology extends product lifetime.
- Coordinating Claro wallplates¹ (available separately).
- High-end and low-end trim user is adjustable for optimal performance.



Diva 0–10 V Control

Model Numbers

Model Number	Operating Voltage	Wiring	Load Switching Capacity	0–10 V Sink Capacity
DVSTV-XX ²	120–277 V~	Single-pole/3-way ⁵	8 A	50 mA
DVSCSTV-YY ⁴				
DVSTV-453PH-WH ¹	120–277 V~	Single-pole/3-way ⁵	450 W 3.75 A (120 V~) 1.62 A (277 V~)	50 mA
DVSTV-453PH-WH-C ^{1,3}				
DVTV-XX ²	24 V===	Single-pole/3-way ⁷	0 A ⁶	30 mA
DVSCTV-YY ⁴				

¹ DVSTV-453PH-WH and DVSTV-453PH-WH-C available in white gloss only.

² “XX” in the model number represents gloss finish color code. See **Colors and Finishes** section.

³ Clamshell packaged product for Canada.

⁴ “YY” in the model number represents satin finish color code. See **Colors and Finishes** section.

⁵ For 3-way switching, use Claro switches or other mechanical switches.

⁶ A Lutron power pack (PP-DV or PP-347H) is required for switching ballasts and drivers. For Lutron power pack specification, please see Lutron P/N 369544 at www.lutron.com

⁷ 24 V=== single-pole double-throw (SPDT) switch, supplied by others, must be rated for dry contacts.

LUTRON SPECIFICATION SUBMITTAL

Page

Job Name:	Model Numbers:
Job Number:	

Specifications

DVSTV- Models

Regulatory Approvals

- cULus Listed
- NOM

Power

Operating Voltage

120–277 V~ 50/60 Hz

Output Ratings

- Switch rating of 8 A.
- 0–10 V control link for 50 mA maximum output (sink only).

0–10 V Control Link

- 0–10 V control link is Class 1.
- Controls up to 25 ballasts or drivers (IEC 60929 Annex E.2 requires the ballast/driver to limit the current draw to 2.0 mA maximum).

Performance

- Power pack cannot be used with DVSTV- models.
- Works with all ballasts and drivers that provide a current source compliant to IEC 60629 Annex E.2, and whose inrush current does not exceed NEMA410 standards for electronic ballast/driver loads of 8 A steady state current.
- Adjustable high-end and low-end trim for optimal dimming performance.
- Power failure memory: should power be interrupted, the control will return to its previously set level prior to the interruption when power is restored.
- Captive linear slider.
- Precise color matching.

Environment

- For indoor use only.
- Ambient operating temperature: 32 °F to 104 °F (0 °C to 40 °C), 0% to 90% humidity, non-condensing.

Application Requirements

- No derating required if ganged.
- Night light not available.
- Always consult local wiring codes.

Warranty

- www.lutron.com/TechnicalDocumentLibrary/369-119_Wallbox_Warranty.pdf

<p>Job Name:</p> <p>Job Number:</p>	<p>Model Numbers:</p>
--	------------------------------

Specifications *(continued)*

DVSTV-453PH-WH Model

Regulatory Approvals

- cULus Listed
- NOM

Power

Operating Voltage

120–277 V~ 50/60 Hz

Output Ratings

- Switch rating of 450 W.
- 0–10 V control link for 50 mA maximum output (sink only).

0–10 V Control Link

- 0–10 V control link is Class 1.
- Controls up to 25 ballasts or drivers (IEC 60929 Annex E.2 requires the ballast/driver to limit the current draw to 2.0 mA maximum).

Performance

- Power pack cannot be used with DVSTV- models.
- Works with all ballasts and drivers that provide a current source compliant to IEC 60629 Annex E.2, and whose inrush current does not exceed NEMA410 standards for electronic ballast/driver loads of 8 A steady state current.
- Adjustable high-end and low-end trim for optimal dimming performance.
- Power failure memory: should power be interrupted, the control will return to its previously set level prior to the interruption when power is restored.
- Captive linear slider.
- Precise color matching.

Environment

- For indoor use only.
- Ambient operating temperature: 32 °F to 104 °F (0 °C to 40 °C), 0% to 90% humidity, non-condensing.

Application Requirements

- No derating required if ganged.
- Night light not available.
- Always consult local wiring codes.

Warranty

- www.lutron.com/TechnicalDocumentLibrary/369-119_Wallbox_Warranty.pdf

<p>Job Name:</p> <p>Job Number:</p>	<p>Model Numbers:</p>
--	------------------------------

Specifications *(continued)*

DVTV- and DVSCTV- Models

Power

Operating Voltage

24 V_{DC} 100 mA

Output Ratings

- Power pack required for load switching. Power pack is rated for 16 A.
- 30 mA maximum output (sink only).

0–10 V Control Link

- 0–10 V control is Class 2.
- Controls up to 15 ballasts or drivers (IEC 60929 Annex E.2 requires the ballast/driver to limit the current draw to 2.0 mA maximum).

Performance

- For 120–277 V_{AC} installations switching more than 8 A, use DVTV- with Lutron power pack (PP-DV). See Lutron P/N 369544 at www.lutron.com
- For 347 V_{AC} installations, use DVTV- with Lutron power pack (PP-347H) See Lutron P/N 369544 at www.lutron.com
- Works with all ballasts and drivers that provide a current source compliant to IEC 60629 Annex E.2.
- Adjustable high-end and low-end trim for optimal dimming performance.
- Power failure memory: should power be interrupted, the 0–10 V_{DC} signal will return to its previously set level prior to the interruption when power is restored.
- Captive linear slider.
- Precise color matching.

Environment

- For indoor use only.
- Ambient operating temperature: 32 °F to 104 °F (0 °C to 40 °C), 0% to 90% humidity, non-condensing.

Application Requirements

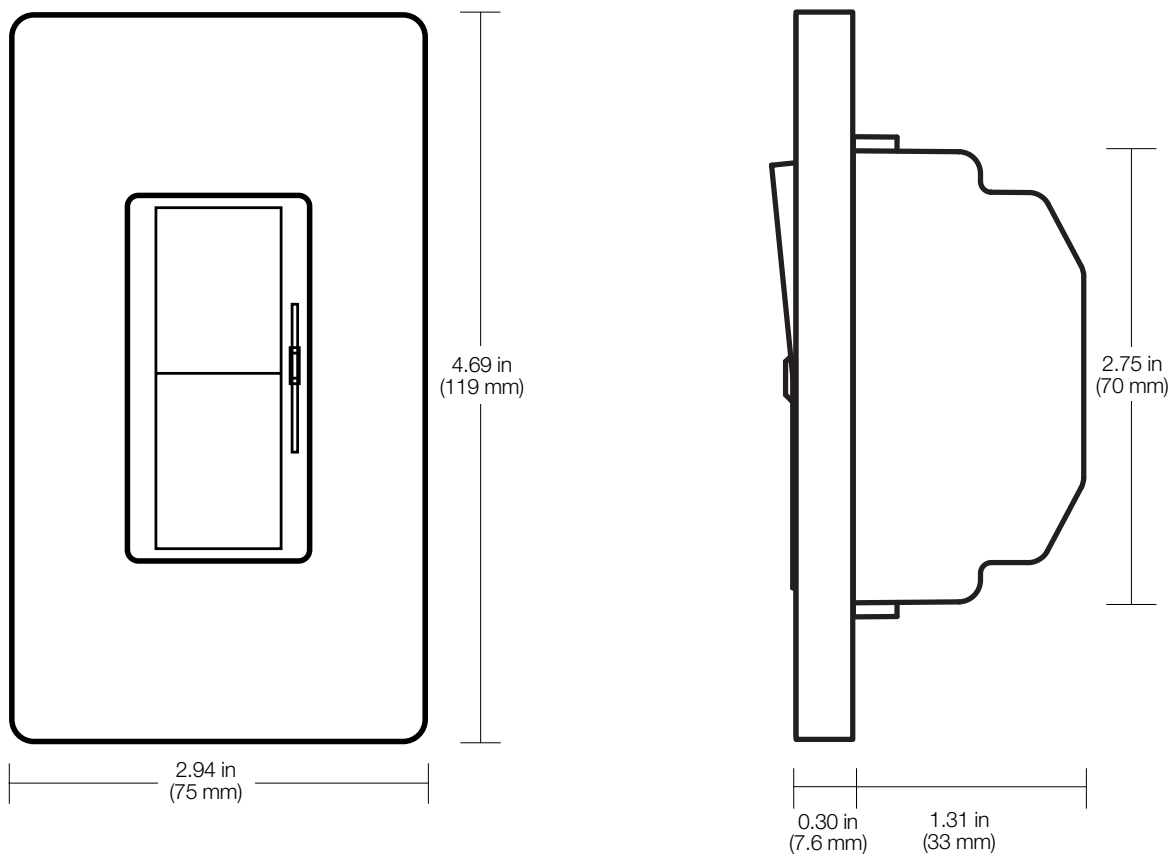
- No derating required if ganged.
- Night light not available.
- Always consult local wiring codes.

Warranty

- www.lutron.com/TechnicalDocumentLibrary/369-119_Wallbox_Warranty.pdf

Job Name:	Model Numbers:
Job Number:	

Dimensions

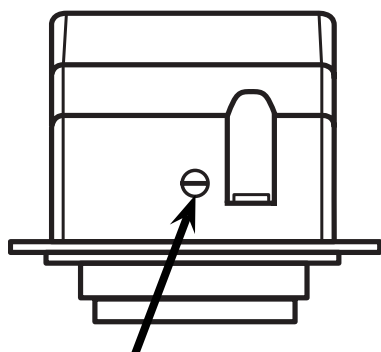


Job Name:	Model Numbers:
Job Number:	

High-End and Low-End Adjustments

DVSTV- Models

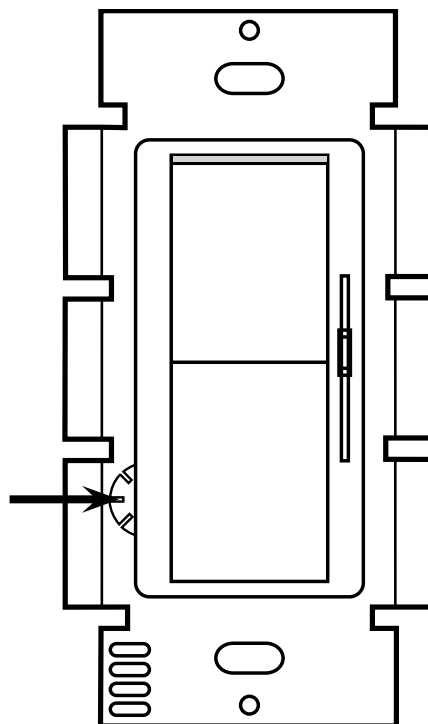
Bottom View



Maximum Light Level
(High-End) Trim

All Models

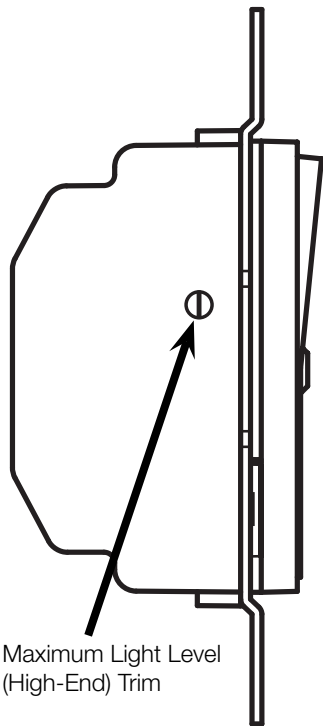
Front View



Minimum Light Level
(Low-End) Trim

DVTV- and DVSCTV- Models

Side View



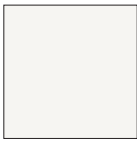
Maximum Light Level
(High-End) Trim

Job Name:	Model Numbers:
Job Number:	

Colors and Finishes

Gloss Finishes*

Satin Finishes



White
WH



Ivory
IV



Brilliant White
BW



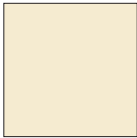
Glacier White
GL



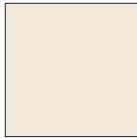
Snow
SW



Architectural
White
RW



Almond
AL



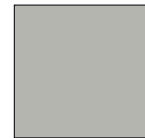
Light Almond
LA



Lunar Gray
LG



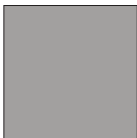
Mist
MI



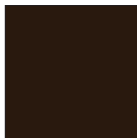
Pebble
PB



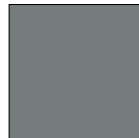
Cobblestone
CS



Gray
GR



Brown
BR



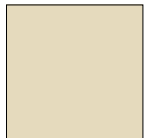
Slate
SL



Midnight
MN



Biscuit
BI



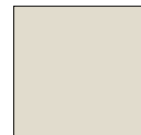
Sand
SD



Black
BL



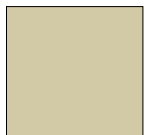
Taupe
TP



Pumice
PM



Clay
CY



Sage
SA



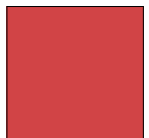
Espresso
EP



Truffle
TF



Deep Sea
DE



Signal Red
SR

- Due to printing limitations, colors and finishes shown cannot be guaranteed to perfectly match actual product colors.
- Color chip keychains are available for more precise color matching:
Gloss Finishes: DG-CK-1
Satin Finishes: SF-CK-1
- For coordinating wallplates and accessories, visit lutron.com/claro

*DVSTV-453PH-WH and DVSTV-453PH-WH-C available in white gloss only.

Continued on next page...

Job Name:	Model Numbers:
Job Number:	

Colors and Finishes *(continued)*

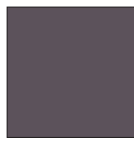
Satin Colors (while supplies last)



Hot
HT



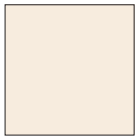
Merlot
MR



Plum
PL



Palladium
PD



Eggshell
ES



Sienna
SI



Terracotta
TC



Greenbriar
GB



Bluestone
BG



Mocha Stone
MS



Goldstone
GS



Desert Stone
DS



Stone
ST



Limestone
LS

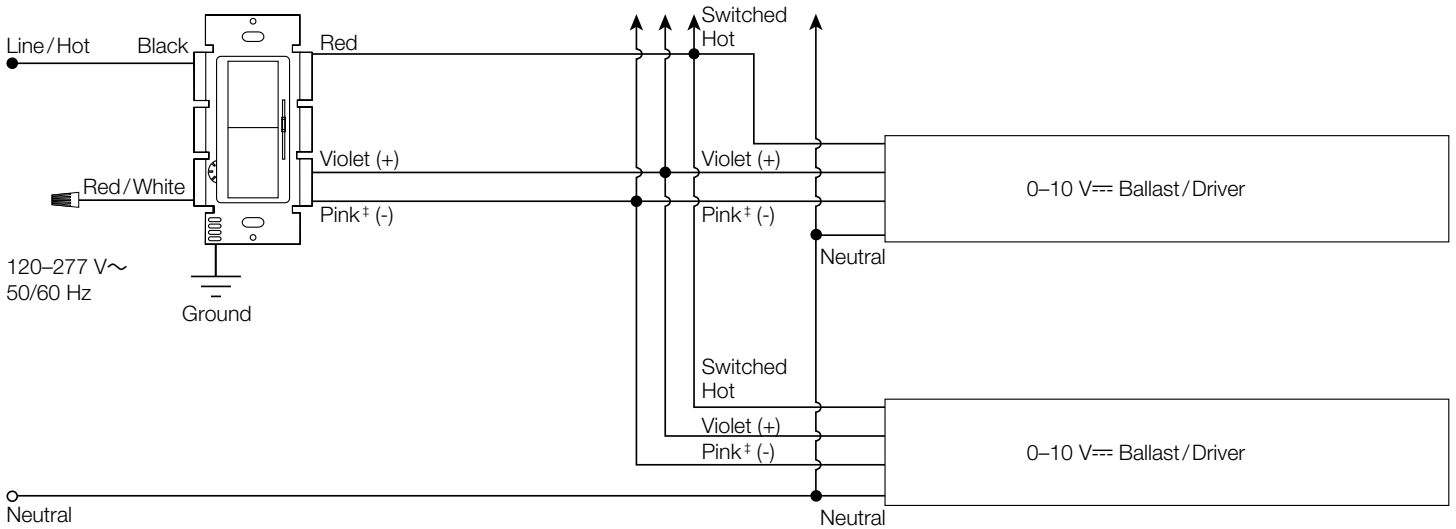
- Due to printing limitations, colors and finishes shown cannot be guaranteed to perfectly match actual product colors.
- Color chip keychains are available for more precise color matching:
Satin Colors: SC-CK-1 (while supplies last)

<p>Job Name:</p> <p>Job Number:</p>	<p>Model Numbers:</p>
--	------------------------------

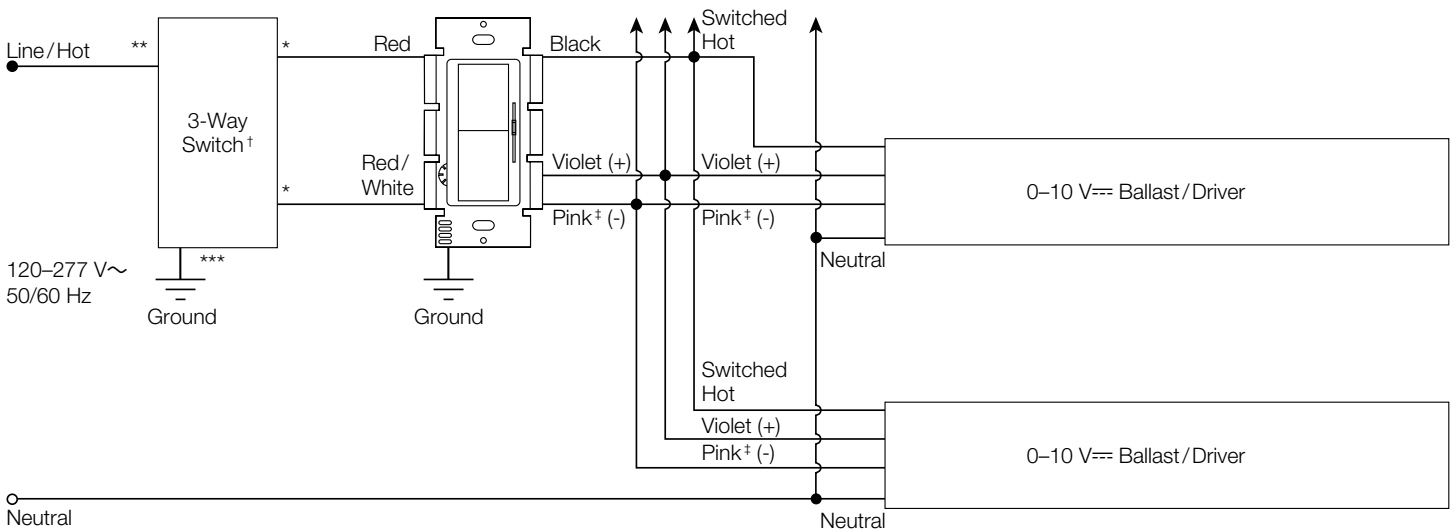
Wiring Diagrams

DVSTV- / DVSCSTV-

Single-Pole Wiring



3-Way Wiring



* Copper/Black screw terminal

** Brass/Gold screw terminal

*** Green screw terminal

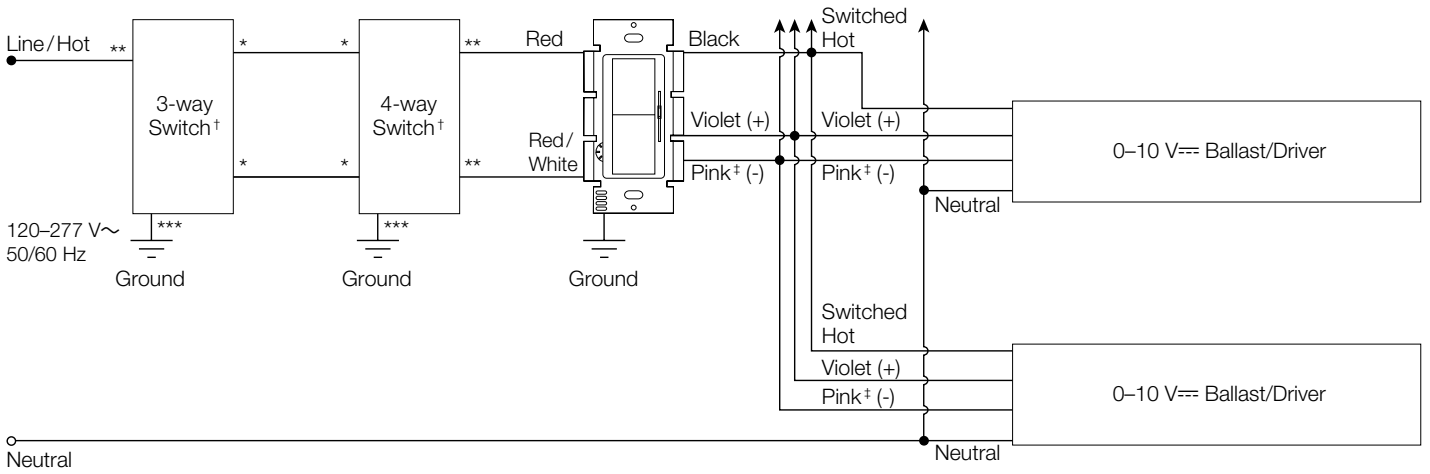
† For proper wiring, please refer to installation instructions for 3-way switch.

‡ This wire/terminal may be gray on older products or in retrofit applications.

Job Name:	Model Numbers:
Job Number:	

Wiring Diagrams (continued) DVSTV- / DVSCSTV- (continued)

4-Way Wiring



Note: For 4-way wiring, control must be installed line side or load side. It cannot be installed in the 4-way location.

* Copper/Black screw terminal

** Brass/Gold screw terminal

*** Green screw terminal

† For proper wiring, please refer to installation instructions for 3-way/4-way switch.

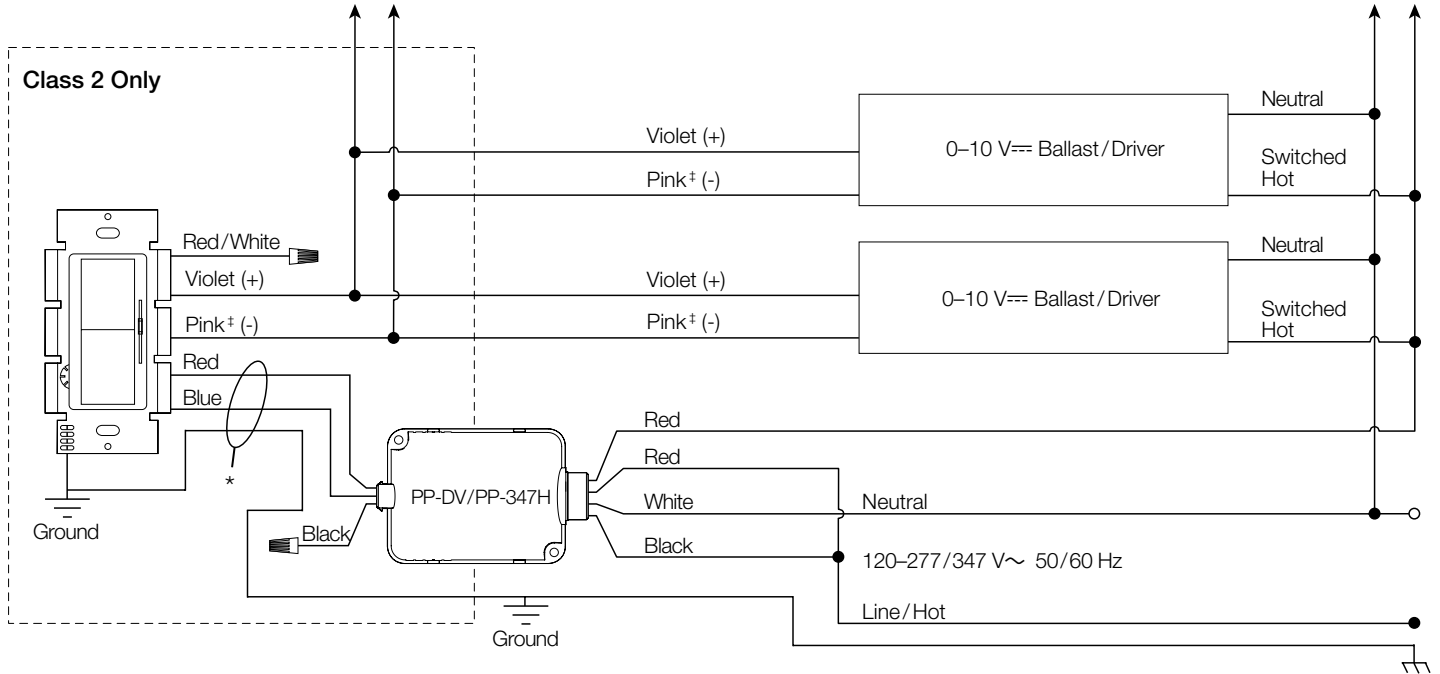
‡ This wire/terminal may be gray on older products or in retrofit applications.

Job Name:	Model Numbers:
Job Number:	

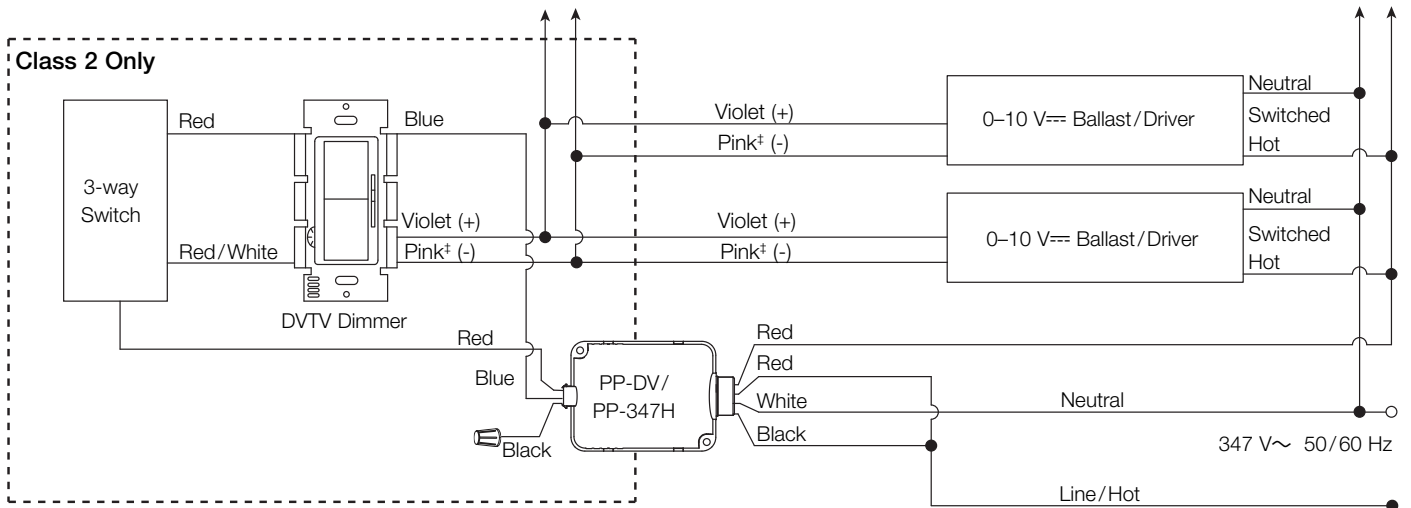
Wiring Diagrams (continued) DVTV- and DVSCTV-

Dimming With ON/OFF Control Wiring Diagram Using a Power Pack

Single-Pole Wiring



3-Way Wiring



* Must use shielded cable with the drain grounded and grounded faceplate/yoke.

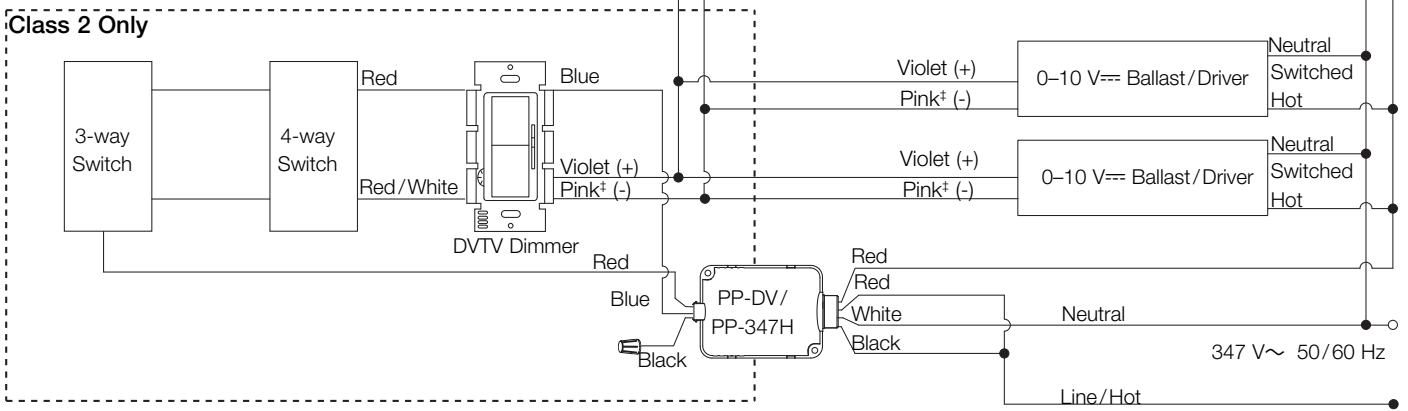
† This wire/terminal may be gray on older products or in retrofit applications.

Job Name:	Model Numbers:
Job Number:	

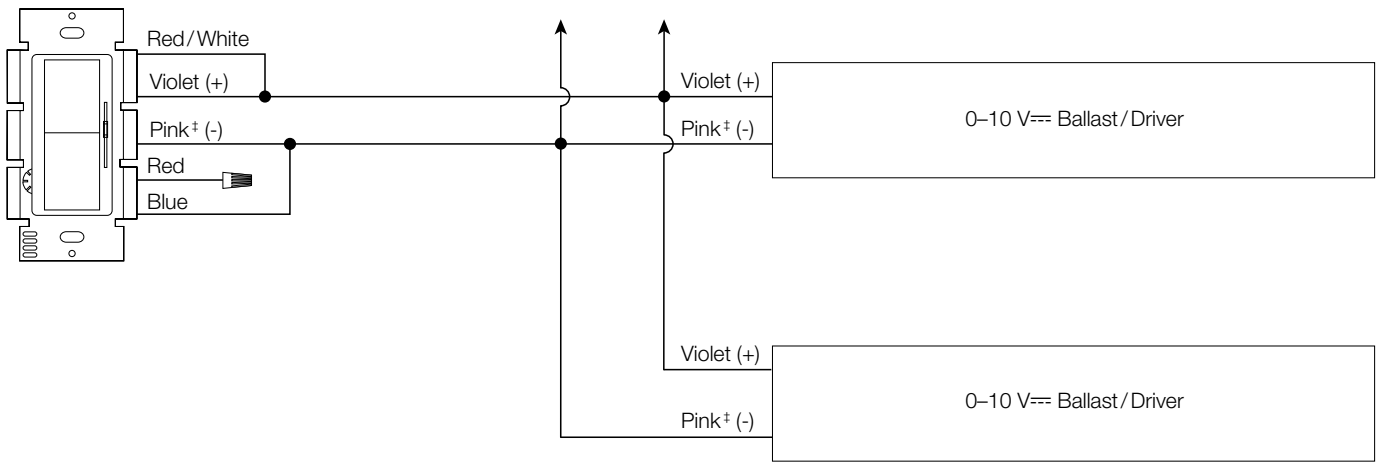
Wiring Diagrams (continued)
DVTV- and DVSCTV-

Dimming With ON/OFF Control
Wiring Diagram Using a Power Pack (continued)

4-Way Wiring



Dimming With ON/OFF Control For Drivers Which Support Dim To OFF Capability
Power Wiring Not Shown—See Lighting Device For Wiring



This wiring diagram is used when the fixture/ballast/driver is "dim to OFF" and complies with ANSI C137.1. With this wiring setup, the line voltage power is constantly supplied to the fixture/ballast/driver and the paddle switch on the Diva dimmer brings the 0–10 V signal to 0 V when in the off position.

† This wire/terminal may be gray on older products or in retrofit applications.

The Lutron logo, Lutron, Diva, Satin Colors, and Claro are trademarks or registered trademarks of Lutron Electronics Co., Inc. in the US and/or other countries. All other product names, logos, and brands are property of their respective owners.

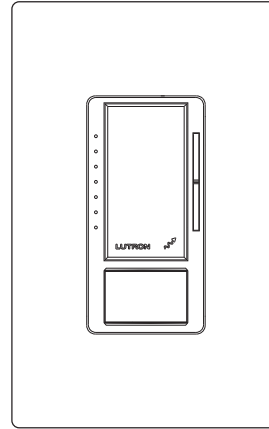
LUTRON SPECIFICATION SUBMITTAL		Page
Job Name:	Model Numbers:	
Job Number:		

Maestro RF 0–10 V Sensor Dimmer/ RF Sensor Switch

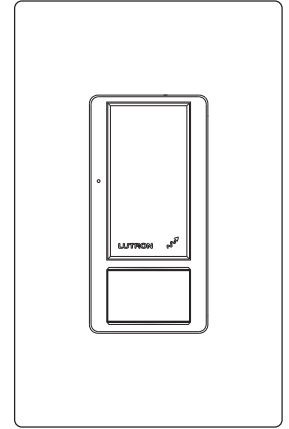
Lutron Maestro RF 0–10 V Sensor Dimmer/RF Sensor Switches are lighting controls with passive infrared sensors that automatically control the lights in an area. These sensors detect heat from occupants moving within an area to determine when the space is occupied.

Features Lutron Clear Connect RF technology, which enables wireless communication with Radio Powr Savr sensors, and Pico remote controls for light control and general switched loads.

These products are also compatible with the Vive hub which enables a simple setup process using a standard web browser on any Wi-Fi enabled phone, tablet or computer. It also enables control and monitoring of all Vive devices. The Vive hub can be added at any time, however system reprogramming will be required. For a complete list of features supported with the Vive hub, see specification submittal 369902 at www.lutron.com



Dimmer



Switch

Features

- Controls 0–10 V_{AC} electronic fluorescent ballasts or LED driver load types¹
- Passive infrared motion detection with exclusive Lutron XCT Technology for fine motion detection
- 180° sensor field-of-view
- Up to 30 ft × 30 ft (9 m × 9 m) [900 ft² (81 m²)] major motion coverage and 20 ft × 20 ft (6 m × 6 m) [400 ft² (36 m²)] minor motion coverage
- Occupancy version can be set to auto-on/auto-off or manual-on/auto-off
- Adjustable timeout (1, 5, 15, or 30 minutes)
- Adjustable settings for auto-on light level (occupied level): Fully adjustable from 1%–100%
- Adjustable settings for auto-off light level (occupied level): Fully adjustable from 0%–100%
- Adjustable sensitivity level: High, Med, Low, Min
- Off warning fades lights to off over a period of 10 seconds¹
- Adaptive switching algorithm for extended relay life
- Smart ambient light detection (ALD)
- Works with up to 10 Pico remote controls, 1 daylight, and 10 Radio Powr Savr PIR sensors
- High-end trim and low-end trim to adjust maximum and minimum light levels

¹ Only available with the sensor dimmer. Not available with the sensor switch.

<p>Job Name:</p> <p>Job Number:</p>	<p>Model Numbers:</p>
--	------------------------------

Models Available

Model Number	Description	Sensor Operation	Load Types
MRF2S-8SD010-XX ¹	Occupancy/vacancy single-pole/multi-location sensor dimmer	Auto-On/Auto-Off or Manual-On/Auto-Off	For use with permanently installed electronic fluorescent ballast or LED driver lighting loads
MRF2S-8SS-XX ¹	Occupancy/vacancy single-pole/multi-location sensor switch	Auto-On/Auto-Off or Manual-On/Auto-Off	For use with all lighting loads
MRF2S-8SDV010-XX ¹	Vacancy single-pole/multi-location sensor dimmer	Manual-On/Auto-Off	For use with permanently installed electronic fluorescent ballast or LED driver lighting loads
MRF2S-8SSV-XX ¹	Vacancy single-pole/multi-location sensor switch	Manual-On/Auto-Off	For use with all lighting loads

¹ XX in model number represents color/finish code. See **Colors and Finishes** on page 10.

Notes:

- Neutral is required for product to function. If a neutral wire is not present, consult a licensed electrician.
- When power is applied, the sensor dimmer/switch can be manually turned on or off after the first 10 seconds and will automatically control the load after 2 minutes.
- The sensor dimmer works with all ballasts and drivers that provide a current source compliant to IEC 60929 Annex E.2.
- The 0–10 V_{AC} control wires are not to exceed 250 ft (76.2 m) in length, and must have a size of no less than 20 AWG (0.75 mm²).
- The 0–10 V_{AC} wires may be installed as Class 1 or Class 2 per NEC® or local jurisdiction.
- Do not install dimmers/switches to control receptacles or motor-operated appliances.

Job Name:	Model Numbers:
Job Number:	

Specifications

Regulatory Approvals

- UL® Listed to U.S. and Canadian safety requirements
- Complies with Title 20 and Title 24 Section 110.9

Power

- Operating voltage: 120/277 V~ 50/60 Hz, 8 A (USA), 120 V~ 50/60 Hz, 8 A (Canada) of 0–10 V== electronic fluorescent ballasts or LED drivers for sensor dimmer, and all lighting loads for sensor switch

Loads

- **Sensor Dimmer**
 - Works with all ballasts and drivers that provide a current source compliant to IEC 60929 Annex E.2, and whose inrush current does not exceed NEMA 410 standards for electronic ballast/driver loads of 8 A steady state current
 - Supports Electronic Off functionality for voltages less than 0.5 V
 - 50 mA max sink current
 - Controls up to 25 ballasts or drivers (IEC 60929 Annex E.2 requires the ballast/driver to limit the current to 2.0 mA maximum)
 - No minimum load
- **Sensor Switch**
 - Works with all lighting loads

Environment

- Ambient operating temperature: 32 °F to 104 °F (0 °C to 40 °C), 0%–90% humidity, non-condensing; indoor use only

Warranty

- 5 Year Limited Warranty
For additional Warranty information, please visit:
www.lutron.com/TechnicalDocumentLibrary/Sensor_Warranty.pdf

Key Design Features

Dimmer

- On a single-tap, lights fade On or Off to previous level
- On a double-tap, lights go to full On
- Light levels can be fine-tuned by pressing and holding the dimming rocker until the desired light level is reached
- High-end trim (adjust maximum light level that can be achieved, for energy savings)
- Low-end trim (adjust minimum light level that can be dimmed down, to prevent flickering lights)

Vive System Communications and Capacity

- Maestro Wireless controls communicate with the Pico remote controls and Radio Powr Savr sensors through radio frequency (RF).
- Receives wireless inputs from up to 10 Pico remote controls, 10 Radio Powr Savr occupancy/vacancy sensors, and 1 Radio Powr Savr daylight sensor.
- Maestro Wireless local controls must be located within 60 ft (18 m) line-of-sight or 30 ft (9 m) through walls, of Radio Powr Savr sensors and Pico remote controls. The 60 ft (18 m) range is not reduced by a ceiling tile obstruction.

Additional Information on Sensors

- For more information, please see www.lutron.com/occvacsensors
- Lutron Customer Assistance: 1.844.LUTRON1

Job Name: Job Number:	Model Numbers:
--	-----------------------

Custom Settings (default settings shown in **bold**)

Note: This is how to program these settings in standalone applications (not part of the Vive system). For a complete list and description of available settings for standalone applications, refer to Application Note #687 (048687) at www.lutron.com. For set-up, programming, and troubleshooting with a Vive system, please refer to the installation instructions included with the Vive hub or at www.lutron.com.

🕒: Timeout

- 30 min
- **15 min**
- 5 min
- 1 min

Mode: Sensor Modes¹

Lights automatically turn off in all sensor modes

- **Occ: Occupancy mode (Auto-On/ Auto-Off)**
- Lrn: Occupancy with learning ALD mode
- Fixd: Occupancy with fixed ALD mode
- Vac: Vacancy mode (Manual-On/ Auto-Off)

PIR: Passive Infrared Sensitivity

- **High**
- Med
- Low
- Min

Fixed ALD Light Level^{2,3}

- High
- Med
- **Low⁴**
- Min

Walk-Thru Mode (MRF2S-8SD010 and MRF2S-8SS only)²

- Enabled
- **Disabled**

Occupied Level^{5,6}

A programmable setting that determines the light level the sensor dimmer will turn on to, once occupancy has been detected

Vacancy Light Level⁶

The level to which the sensor dimmer dims or turns off when motion has not been detected for the timeout period

Electronic Off^{2,6,7}

- Enabled
- **Disabled**

Low-End Trim^{6,8}

- Fully adjustable from 1% to 45%

High-End Trim^{6,8}

- Fully adjustable from 55% to 100%

¹ Sensor Mode is locked as "Vacancy" in vacancy only models (MRF2S-8SDV010 and MRF2S-8SSV), in standalone applications. This restriction is removed in the Vive system.

² Setting not available once device is configured in the Vive system.

³ ALD is when the sensor determines how much ambient light is enough, based on a fixed level you select. If there is enough light, it will NOT turn the lights On.

⁴ Low is the default setting for any sensor that is set by the user to "Occupancy with fixed ALD mode".

⁵ Fully adjustable from 1% to 100% within the adjustable range of low-end and high-end trim.

⁶ Only available with the sensor dimmer. Not available with sensor switch.

⁷ When enabled, electronic off keeps the product relay closed and dims to the low-end the loads that support electronic off. When disabled, it uses the product relay to turn the load On and Off.

⁸ Setting is fully variable within each range.



Job Name:	Model Numbers:
Job Number:	

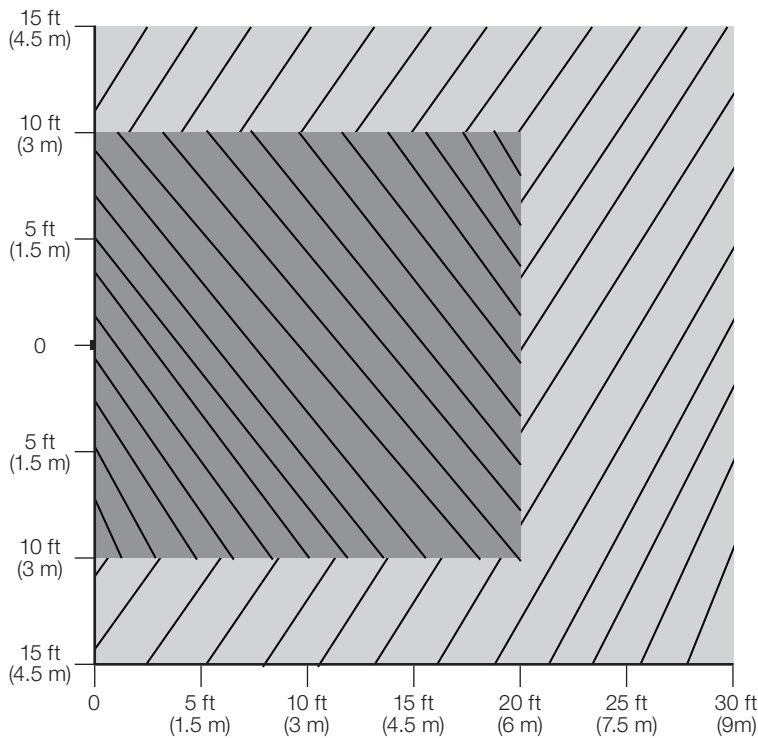
Placement and Operation

- The ability of the sensor dimmer/switch to detect motion requires line-of-sight of room occupants and must have an unobstructed view.
- Hot objects and moving air currents can affect the performance of the sensor dimmer/switch. For best performance, the sensor dimmer/switch should be mounted at least 4 ft (1.2 m) away from HVAC vents and light bulbs.
- The performance of the sensor dimmer/switch depends on a temperature differential between the ambient room temperature and that of room occupants. Warmer rooms may reduce the ability of the sensor dimmer/switch to detect occupants.

NEMA WD7 Test Grid Coverage

(High Sensitivity Setting)

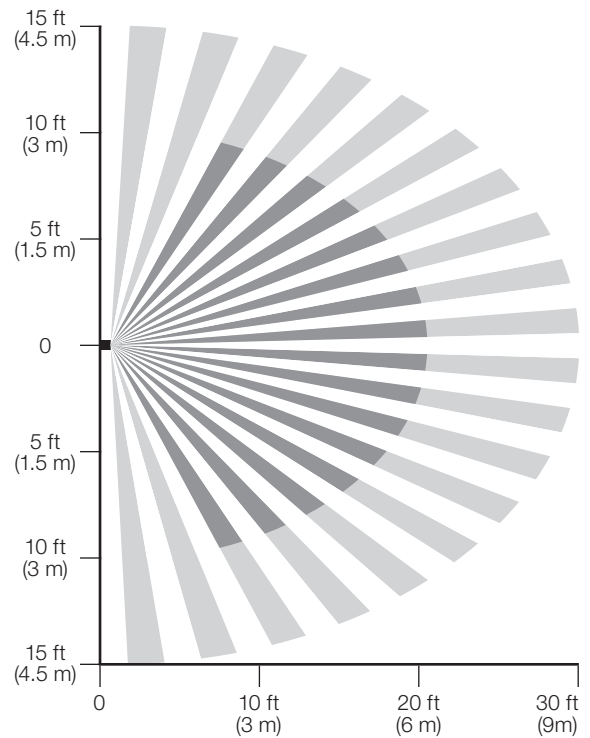
-  Major motion coverage: 900 ft² (81 m²)
-  Minor motion coverage: 400 ft² (36 m²)



Horizontal Beam Diagram

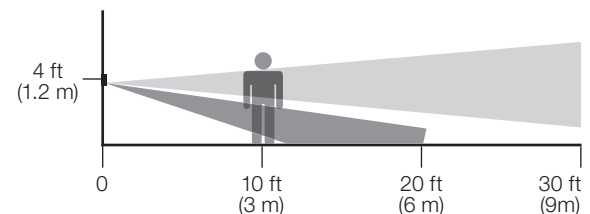
(For Reference Only)

-  Beam 1
-  Beam 2



Vertical Beam Diagram

(For Reference Only)



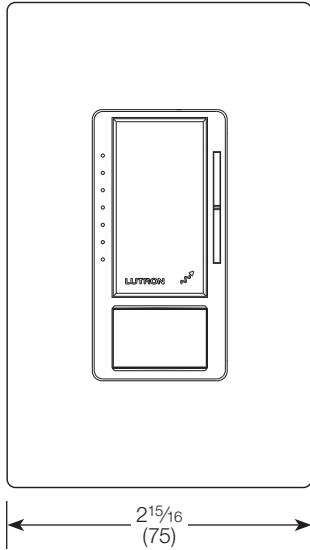
Job Name:	Model Numbers:
Job Number:	

Dimensions

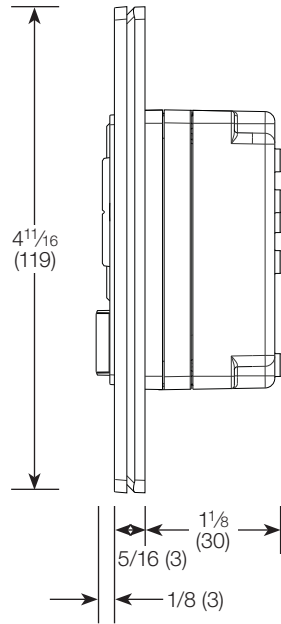
Measurements shown as: in (mm)

Dimmer

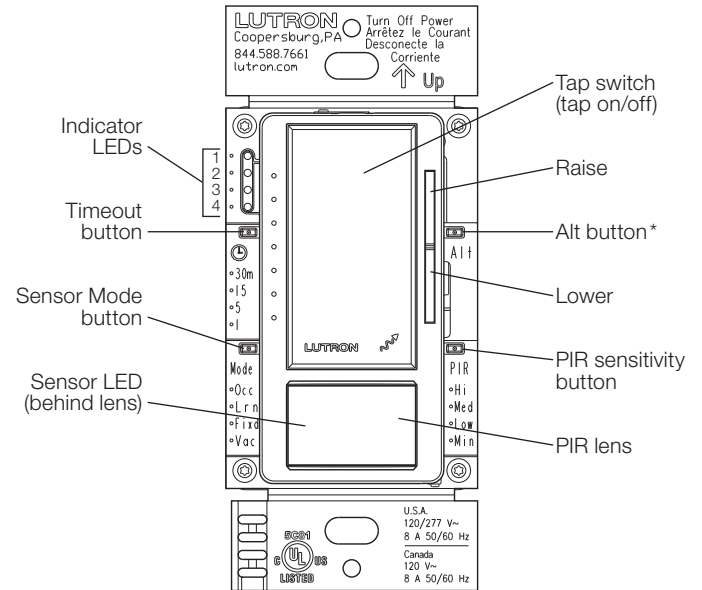
Front View



Side View

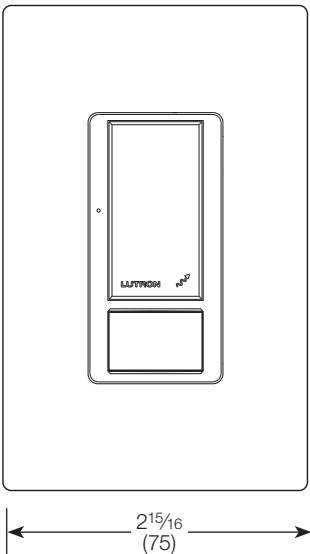


Operation

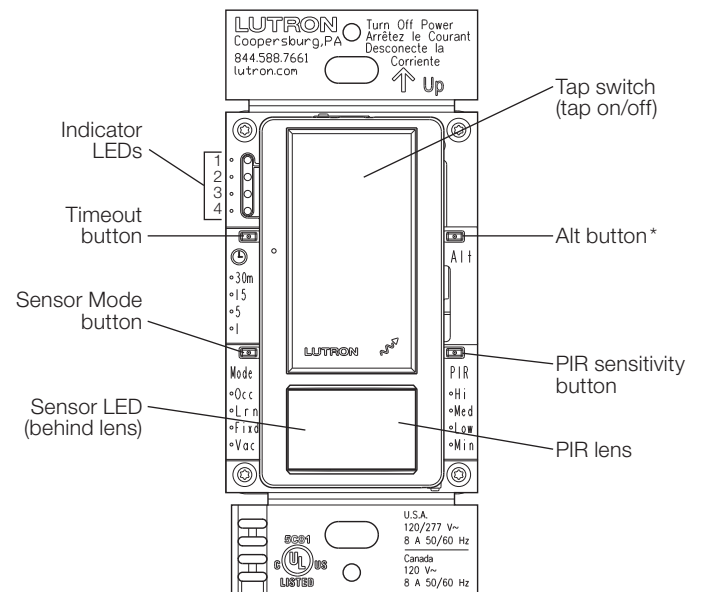
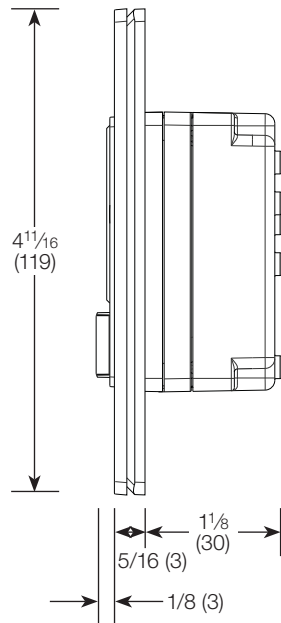


Switch

Front View



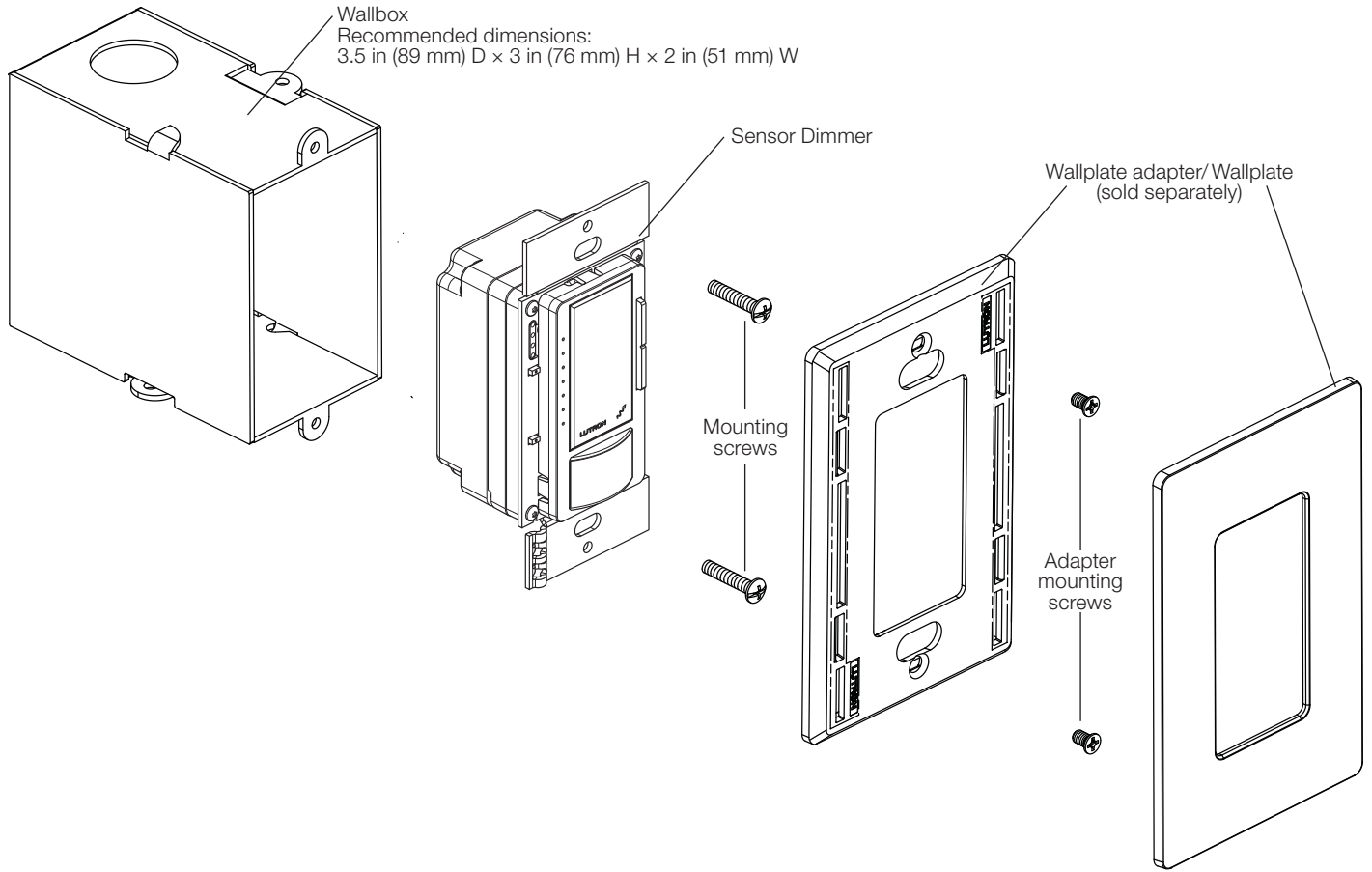
Side View



* Alt button is always used in conjunction with another button.

Job Name:	Model Numbers:
Job Number:	

Mounting*



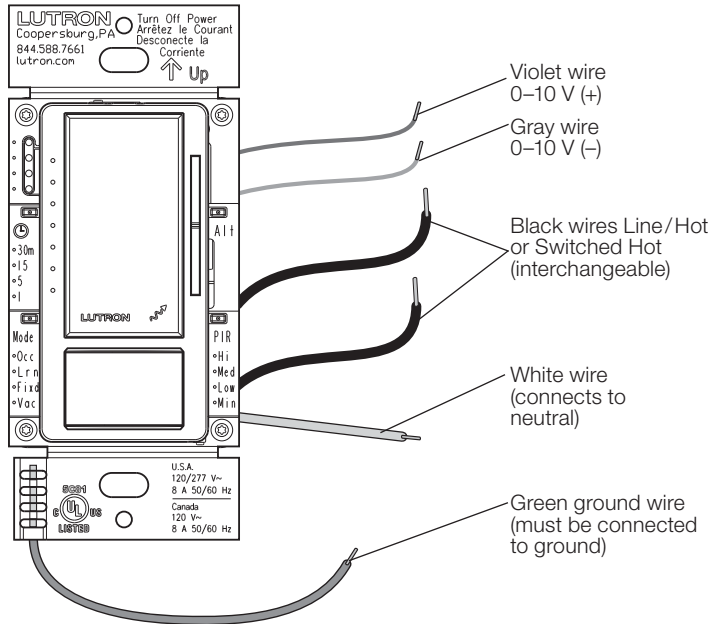
* Mounting is the same for the dimmer and the switch.

Job Name:	Model Numbers:
Job Number:	

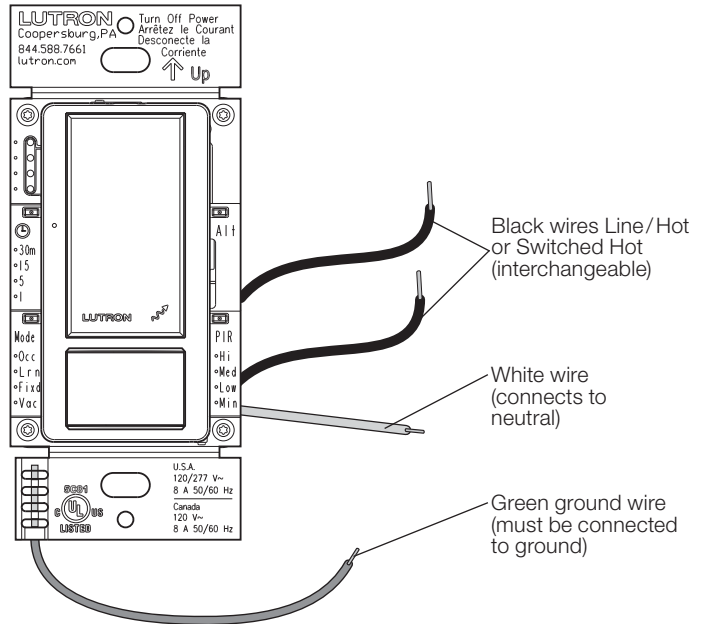
Wiring Connections

In order to function all wires must be connected. Before installing wallplate, program all desired settings.

Dimmer



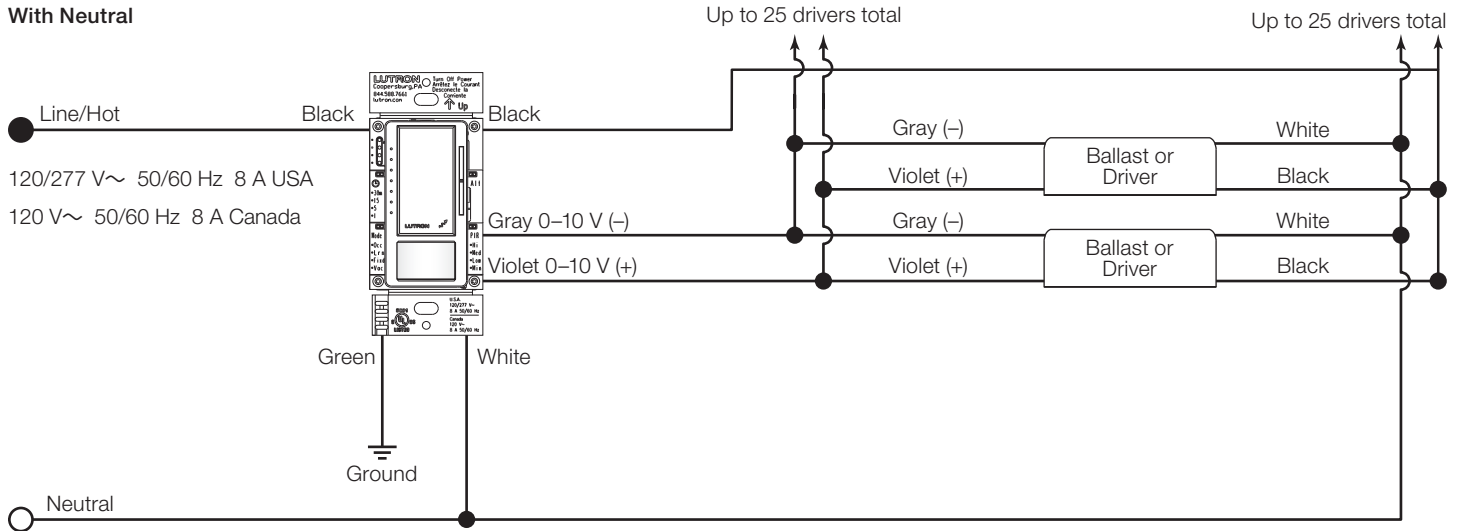
Switch



Job Name:	Model Numbers:
Job Number:	

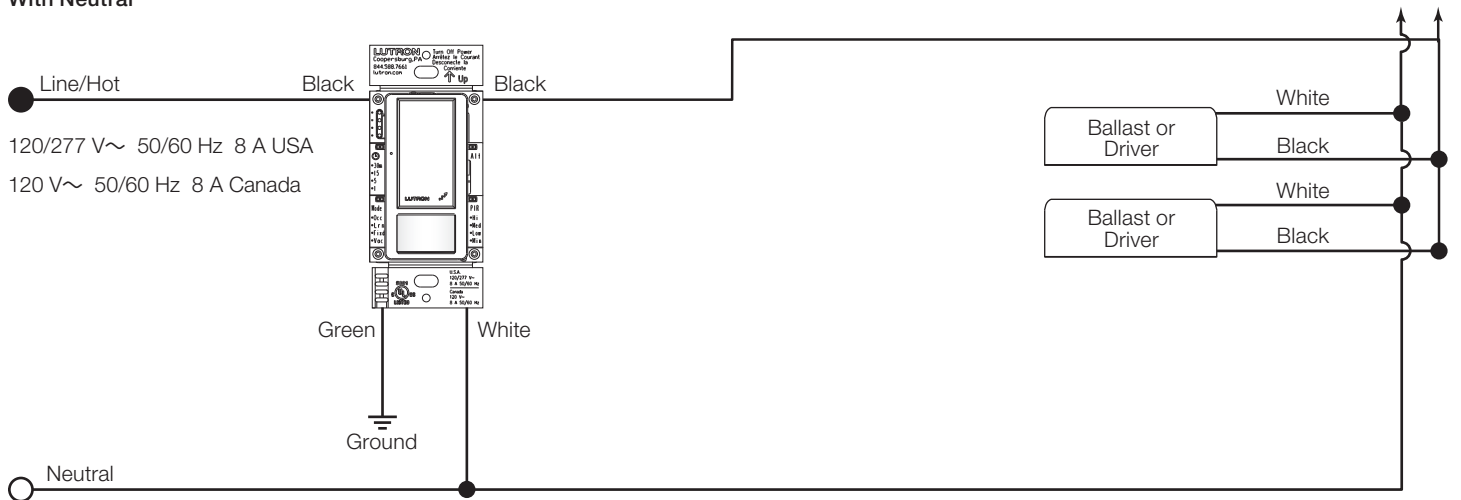
Wiring: Single-Pole Dimmer Installation

With Neutral



Wiring: Single-Pole Switch Installation

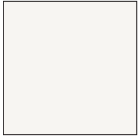
With Neutral



<p>Job Name:</p> <p>Job Number:</p>	<p>Model Numbers:</p>
--	-----------------------

Colors and Finishes

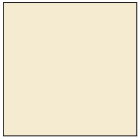
Gloss Finishes



White
WH



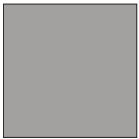
Ivory
IV



Almond
AL



Light Almond
LA



Gray
GR



Brown
BR



Black
BL

- Due to printing limitations, colors and finishes shown cannot be guaranteed to perfectly match actual product colors.
- Color chip keychains are available for more precise color matching:
 - Gloss Finishes: DG-CK-1

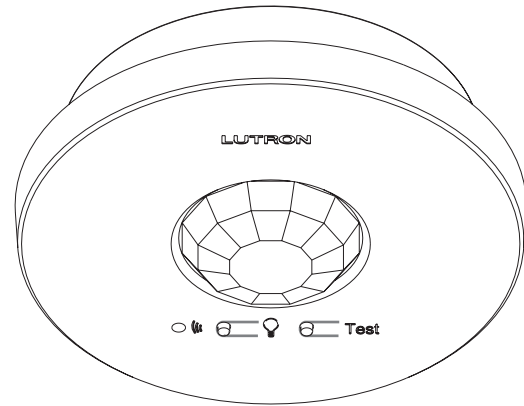
Lutron, Lutron, Maestro, Clear Connect, Vive, Pico, and C•L are trademarks of Lutron Electronics Co., Inc., registered in the U.S. and other countries. Radio Powr Savr and XCT are trademarks of Lutron Electronics Co., Inc.

UL is a trademark of UL LLC.

Job Name:	Model Numbers:
Job Number:	

Wireless Ceiling Mount Sensor

Lutron’s ceiling-mounted occupancy/vacancy sensors are wireless, battery-powered passive infrared (PIR) sensors that automatically control lights via RF communication to compatible dimming and switching devices. These sensors detect the heat from people (IR radiation of 9.5 μm) moving within an area to determine when the space is occupied. The sensors then wirelessly transmit the appropriate commands to the associated dimming and switching devices to turn the lights on or off automatically. They combine both convenience and exceptional energy savings potential along with ease of installation.



Features

- Wireless occupancy sensor has 3 settings available: Auto-On/Auto-Off, Auto-On Low-Light/Auto-Off, and Manual-On/Auto-Off
- Auto-On Low-Light feature will only turn lights on automatically if there is less than approximately 10 Lux (1 fc) of ambient light
- Vacancy only model available to meet California (U.S.A.) Title 24 requirements
- Uses Clear Connect™ technology
- Passive infrared motion detection with exclusive Lutron XCT™ Technology for fine motion detection
- 360° coverage ranges from 324 sq ft (98 sq m) to 676 sq ft (206 sq m), depending on mounting height
- Simple and intuitive adjustments available for Timeout, Auto-On, and Activity settings
- Supports advanced occupancy features, such as dependent occupancy groups and customizable occupied/unoccupied presets in some systems
- Multiple sensors can be added for extended coverage—refer to product specification submittal of receiving device to determine system limits
- Lens illuminates during test mode to verify ideal locations
- Multiple ceiling-mount methods available for different ceiling materials
- Front accessible test buttons make setup easy
- 10-year battery life design
- RoHS compliant

Models Available

- LRFX-OCR2B-P-WH
 - Color Code
 - Frequency/Channel Code
- LRF2-VCR2B-P-WH
 - Available for Vacancy Only Sensor
 - Channel Code 2 Only

Frequency/Channel Codes

- 2 = 431.0 – 437.0 MHz (US, Canada, Mexico, Brazil)
- 3 = 868.125 – 869.850 MHz (Europe and UAE)
- 4 = 868.125 – 868.475 MHz (China and Singapore)
- 5 = 865.5 – 866.5 MHz (India)
- 6 = 312.3 – 314.8 MHz (Japan)
- 7 = 433.05 – 434.79 MHz (Hong Kong)

Color Code

WH = White

Compatible RF Devices

- For use with Lutron® products only
 - Communicates to various wireless Lutron® systems*
- * Contact Lutron® Customer Service at www.lutron.com for frequency/channel code compatibility with your particular geographic region, and for integrating with other Lutron® lighting and shading products.

Job Name:	Model Numbers:
Job Number:	

Specifications

Regulatory

- Lutron® Quality Systems Registered to ISO 9001:2008

Standards

LRF2-

- FCC certified
- IC certified
- COFETEL certified
- ANATEL certified
- SUTEL certified
- Meets CA (U.S.A.) Energy Commission Title 24 requirements

LRF3-

- CE Marked (European Union) [expected Q4 2011]
- TRA Type Approved (United Arab Emirates) [expected Q4 2011]

LRF4-

- SRRC Type Approved (Mainland China) [expected Q4 2011]
- iDA Registered (Singapore) [expected Q4 2011]

LRF5-

- WPC Type Approved (India)

LRF6-

-  007YUUL0689

LRF7-

- FCC certified

Power/Performance

- Operating voltage: 3 V_{DC}
- Operating current: 14 µA nominal
- Requires one CR 123 lithium battery
- 10-year battery life design
- Non-volatile memory (saved changes are stored during power loss)

Environment

- Temperature: 32 °F to 104 °F (0 °C to 40 °C)
- For indoor use only

Range

• LRF2, LRF3, LRF4, LRF5, LRF7

Local load controls must be located within 60 ft (18 m) line of sight, or 30 ft (9 m), through walls, of a sensor.

• LRF6

Local load controls must be located within 40 ft (12.2 m) line of sight or 23 ft (7 m), through walls, of a sensor.

Sensor Coverage Test

- Front accessible test button
- Lens illuminates orange in response to motion during test mode and is visible from 60 ft (18 m)

Wireless Communication Test

- Front accessible test button
- Turn associated loads on and off

Timeout Options

- 1 minute *
- 5 minutes
- 15 minutes – default setting
- 30 minutes

Auto-On Options (Occupancy Versions Only)

- “Enabled” * – Sensor turns lights ON and OFF automatically – default setting.
- “Low Light” – Sensor turns lights ON automatically only in low ambient light conditions. Sensor turns lights OFF automatically.
- “Disabled” ** – Lights must be turned ON manually from dimming or switching device. Sensor turns lights OFF automatically.

Activity Options

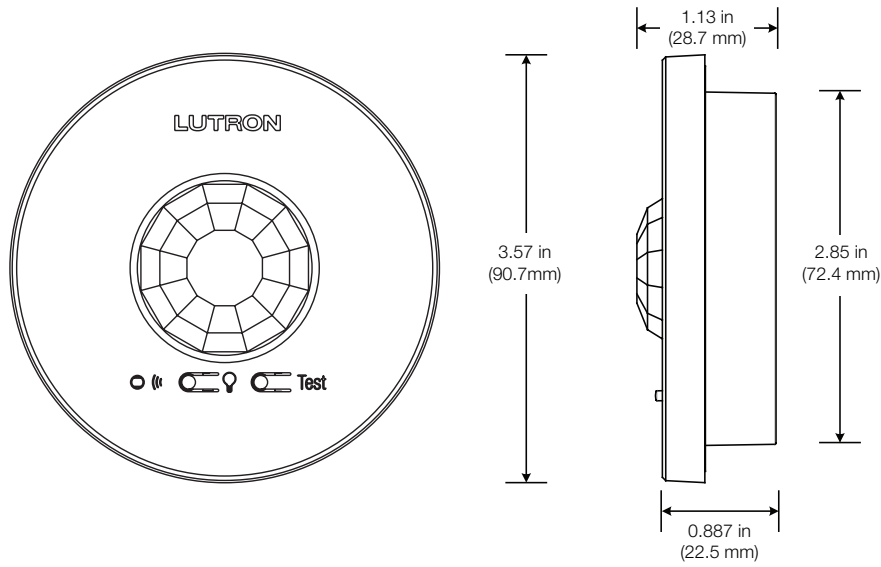
- Low Activity (Ⓕ) – default setting
- Medium Activity (Ⓖ)
- High Activity (Ⓗ)

* Intended for use in high-activity, briefly occupied areas only

** There is a 15-second grace period that begins when the lights are automatically turned off, during which the lights will automatically turn back on in response to motion. This grace period is provided as a safety and convenience feature in the event the lights turn off while the room is still occupied, so that the user does not need to manually turn the lights back on. After 15 seconds, the grace period expires and the lights must be manually turned on.

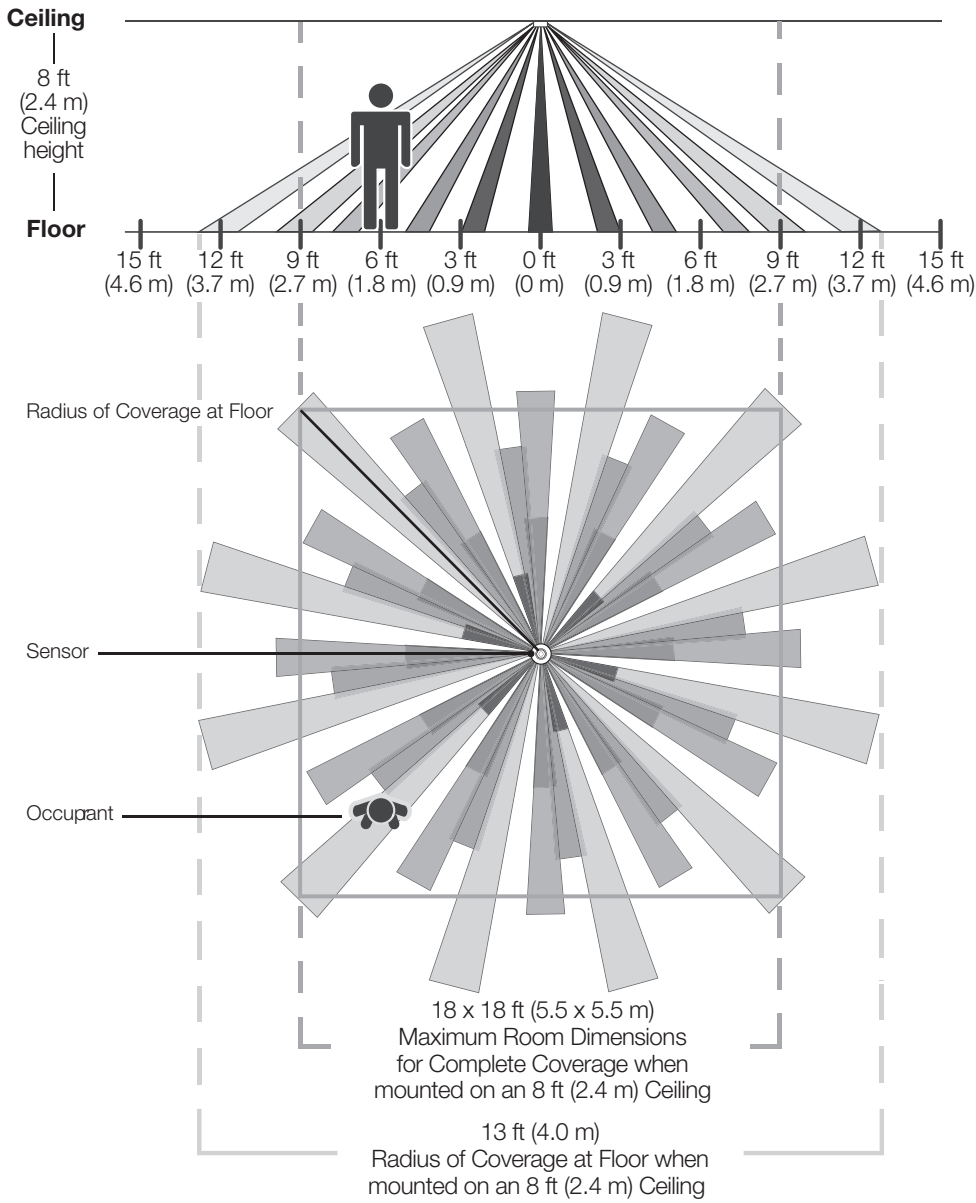
Job Name:	Model Numbers:
Job Number:	

Dimensions



Job Name: Job Number:	Model Numbers:
------------------------------	----------------

Range Diagrams



Sensor Coverage Chart (for sensor mounted in center of room)

Ceiling height	Maximum room dimensions for complete floor coverage*	
8 ft (2.4 m)	18 ft x 18 ft (5.5 m x 5.5 m)	324 ft ² (30.2 m ²)
9 ft (2.7 m)	20 ft x 20 ft (6.1 m x 6.1 m)	400 ft ² (37.2 m ²)
10 ft (3.0 m)	22 ft x 22 ft (6.7 m x 6.7 m)	484 ft ² (44.9 m ²)
12 ft (3.7 m)	26 ft x 26 ft (7.9 m x 7.9 m)	676 ft ² (62.4 m ²)

* 12 ft (3.7 m) is the recommended maximum mounting height

Job Name:	Model Numbers:
Job Number:	

Installation Overview

Sensor Placement

- The sensor's ability to detect motion requires line of sight of room occupants. The sensor must have an unobstructed view of the room. **DO NOT** mount behind or near tall cabinets, shelves, hanging fixtures, ceiling fans, etc. The sensor cannot see through glass objects such as patio or shower doors.
- Hot objects and moving air currents can affect the sensor's performance. To ensure proper operation, the sensor should be mounted at least 4 ft (1.2 m) away from HVAC vents and light bulbs that are below the ceiling line.
- The sensor's performance depends on a temperature differential between the ambient room temperature and that of room occupants. Warmer rooms may reduce the sensor's ability to detect occupants.
- **LRF2, LRF3, LRF4, LRF5, LRF7:** The sensor should be mounted within 60 ft (18 m) line of sight or 30 ft (9 m) through walls of the associated dimming and switching receiving devices.
- **LRF6:** The sensor should be mounted within 40 ft (12.2 m) line of sight or 23 ft (7 m) through walls, of the associated dimming and switching receiving devices.

Mounting

- Temporary mounting is optional to test sensor coverage and wireless communication before permanently installing the sensor.

Drop Ceiling (Compressed Fiber Ceiling Tile)

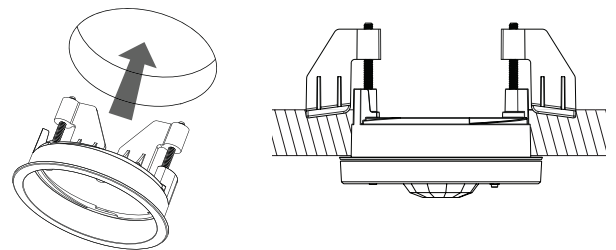
- The ceiling tile mounting wire is provided for both temporary and permanent mounting of the sensor to ceiling tiles. It is designed to allow temporary mounting, testing, and repositioning (if necessary) of the sensor without damaging a ceiling tile. Once the sensor's final position has been chosen, the mounting wire should be twisted to lock the sensor in place permanently.

Solid Ceiling (Drywall, Plaster, Concrete, or Wood)

- Temporary mounting: Ten (10) temporary mounting strips can be purchased in the kit L-CMDPIRKIT for temporarily mounting and testing the sensor.
- Permanent mounting: Screws and anchors (for drywall or plaster) provided to mount sensor.

Recess Mount

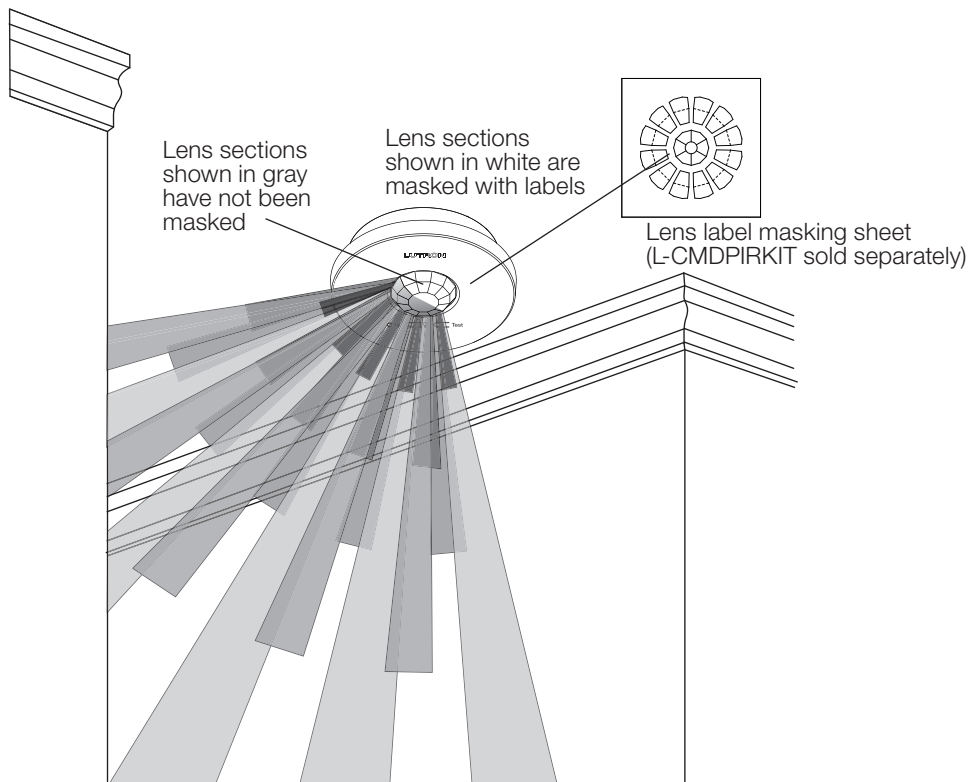
- Do not recess mount ceiling sensor in a metal surface.
- Ceiling mount clamps internally to ceiling. Sensor twist-locks into mount, sits flush with ceiling (as shown below).
- Opening is 3 in (76.2 mm) in diameter.
- Purchased as a separate kit: L-CRMK-WH.



Job Name:	Model Numbers:
Job Number:	

Lens Masking

Whenever possible, the sensor should be installed in a location where it cannot easily see into areas outside the intended space, such as hallways or adjacent rooms. If this situation cannot be avoided, portions of the lens may be masked to block the sensor's view of the undesired areas. Ten (10) PIR Lens Masks can be purchased in the kit L-CMDPIRKIT.



Job Name:	Model Numbers:
Job Number:	