



The following documentation is an electronically-submitted vendor response to an advertised solicitation from the *West Virginia Purchasing Bulletin* within the Vendor Self-Service portal at *wvOASIS.gov*. As part of the State of West Virginia's procurement process, and to maintain the transparency of the bid-opening process, this documentation submitted online is publicly posted by the West Virginia Purchasing Division at *WVPurchasing.gov* with any other vendor responses to this solicitation submitted to the Purchasing Division in hard copy format.

Header 3

[List View](#)


General Information | Contact | Default Values | Discount | Document Information | Clarification Request

Procurement Folder: 794738

SO Doc Code: CRFQ

Procurement Type: Central Purchase Order

SO Dept: 0211

Vendor ID: 000000200158 

SO Doc ID: GSD2100000015

Legal Name: WV ELECTRIC SUPPLY CO

Published Date: 12/14/20

Alias/DBA:

Close Date: 12/21/20


Total Bid: \$156,845.35

Close Time: 13:30

Response Date: 12/21/2020 

Status: Closed

Response Time: 9:52

Solicitation Description: Addendum No. 1
Lighting Fixtures and HardwareResponded By User ID: judy.lang 

Total of Header Attachments: 3

First Name: Judy

Total of All Attachments: 3

Last Name: Lang

Email: judy.lang@wvaelectric.cc



Department of Administration
 Purchasing Division
 2019 Washington Street East
 Post Office Box 50130
 Charleston, WV 25305-0130

**State of West Virginia
 Solicitation Response**

Proc Folder: 794738
Solicitation Description: Addendum No. 1
 Lighting Fixtures and Hardware
Proc Type: Central Purchase Order

Solicitation Closes	Solicitation Response	Version
2020-12-21 13:30	SR 0211 ESR12212000000004477	1

VENDOR
 000000200158
 WV ELECTRIC SUPPLY CO

Solicitation Number: CRFQ 0211 GSD2100000015

Total Bid: 156845.3500000000058207660913 **Response Date:** 2020-12-21 **Response Time:** 09:52:54

Comments:

FOR INFORMATION CONTACT THE BUYER

Melissa Pettrey
 (304) 558-0094
 melissa.k.pettrey@wv.gov

Vendor Signature X **FEIN#** **DATE**

All offers subject to all terms and conditions contained in this solicitation

Line	Comm Ln Desc	Qty	Unit Issue	Unit Price	Ln Total Or Contract Amount
1	3.1.1 Barron Trace Lite RCL Series Light or Equal	85.00000	EA	125.000000	10625.00

Comm Code	Manufacturer	Specification	Model #
39110000			

Commodity Line Comments:

Extended Description:

3.1.1 Barron Trace Lite RCL Series Light or Equal

Line	Comm Ln Desc	Qty	Unit Issue	Unit Price	Ln Total Or Contract Amount
2	3.1.2 Metalux Cruz Series AMSEM or Equal	35.00000	EA	224.750000	7866.25

Comm Code	Manufacturer	Specification	Model #
39110000			

Commodity Line Comments:

Extended Description:

3.1.2 Metalux Cruz Series AMSEM 24CZ-LD5-40SE-S-UNV-EL7W-L835-CD1-SVPD1-DV-U Light or Equal

Line	Comm Ln Desc	Qty	Unit Issue	Unit Price	Ln Total Or Contract Amount
3	3.1.3 Metalux Cruz Series AMSEGEN or Equal	10.00000	EA	216.250000	2162.50

Comm Code	Manufacturer	Specification	Model #
39110000			

Commodity Line Comments:

Extended Description:

3.1.3 Metalux Cruz Series AMSEGEN 24CZ-LD5-40SE-S-UNV-ERTD-L835-CD1-SVPD1-DV-U Light or Equal.

Line	Comm Ln Desc	Qty	Unit Issue	Unit Price	Ln Total Or Contract Amount
4	3.1.4 Metalux Cruz Series Type AMS or Equal	840.00000	EA	114.250000	95970.00

Comm Code	Manufacturer	Specification	Model #
39110000			

Commodity Line Comments:

Extended Description:

3.1.4 Metalux Cruz Series Type AMS 24CZ-LD5-40SE-S-UNV-L835-CDI-SVPD1-DV U Light or Equal.

Line	Comm Ln Desc	Qty	Unit Issue	Unit Price	Ln Total Or Contract Amount
5	3.1.5 Metalux Cruz Series 22CZ-LD5-39E-S-UNV-L835-DC1-U	100.00000	EA	58.600000	5860.00

Comm Code	Manufacturer	Specification	Model #
39110000			

Commodity Line Comments:

Extended Description:

3.1.5 Metalux Cruz Series 22CZ-LD5-39E-S-UNV-L835-DC1-U Light or Equal.

Line	Comm Ln Desc	Qty	Unit Issue	Unit Price	Ln Total Or Contract Amount
6	3.1.6 Cooper/Eaton Control OSW-P-010 Dimmer or Equal	200.00000	EA	43.160000	8632.00

Comm Code	Manufacturer	Specification	Model #
39110000			

Commodity Line Comments:

Extended Description:

3.1.6 Cooper/Eaton Control OSW-P-010 Dimmer or Equal

Line	Comm Ln Desc	Qty	Unit Issue	Unit Price	Ln Total Or Contract Amount
7	3.1.7 Cooper/Eaton EQ-CLIP-U Fixture Clips or Equal	1000.0000	EA	1.000000	1000.00

Comm Code	Manufacturer	Specification	Model #
39110000			

Commodity Line Comments:

Extended Description:

3.1.7 Cooper/Eaton EQ-CLIP-U Fixture Clips or Equal.

Line	Comm Ln Desc	Qty	Unit Issue	Unit Price	Ln Total Or Contract Amount
8	3.1.8 Hubbell ATP 1500C Motion Detector with Acuity Sensor	75.00000	EA	95.000000	7125.00

Comm Code	Manufacturer	Specification	Model #
39110000			

Commodity Line Comments: OFFERING ATP1500CRP CEILING SENSOR WITH ISOLATED RELAY AND CU300A CONTROL UNIT (POWER SUPPLY)
ATTACHING SPEC

Extended Description:

3.1.8 Hubbell ATP 1500C Motion Detector with Acuity Sensor Switch and Low 35 Power Relay Included or Equal.

Line	Comm Ln Desc	Qty	Unit Issue	Unit Price	Ln Total Or Contract Amount
9	3.1.9 LUMARK by Cooper Prevail-XL Lights and Mounting Hard.	37.00000	EA	475.800000	17604.60

Comm Code	Manufacturer	Specification	Model #
39110000			

Commodity Line Comments:

Extended Description:

3.1.9 LUMARK by Cooper Prevail-XL Discrete Lighting PRV-XL PA4B 750 U 5WQ, Standard, BZ, PA4 96 LED's Per Panel or Equal (Parking Lot Lights and Mounting Hardware).

H-MOSS® Controls Adaptive Technology Passive Infrared Ceiling Sensors

HUBBELL

Features

- Coverage 1500 sq. ft. (360°) with photocell and isolated relay, low voltage sensor
- Long range major motion detection
- Office White ABS enclosure blends with ceiling tile
- Relay to interface with auxiliary systems such as HVAC
- Red LED indicates passive infrared detection
- "Install and Forget" operation. Auto-adjusting adaptive technology eliminates manual adjustments

Ordering Information

Description	Device Color	UPC Number	Catalog Number
Low voltage sensor with photocell and isolated relay	Office White	783585392523	ATP1500CRP

Listings

cULus listed to UL244A
ASHRAE 90.1 compliant
CEC Title 24 compliant

Specifications

Housing	Flame retardant UL 94 V-0 ABS
Lens	Polyethylene
Dimensions	1.5"H x 4.5"D
Mounting Height	8 to 12 feet

Performance

Controls

Ambient Light	1 to 1000 foot candles
Sensitivity	Adaptive 0 to 100%
Time Delay	Test (8 seconds), adaptive 8 to 40 minutes

Electrical

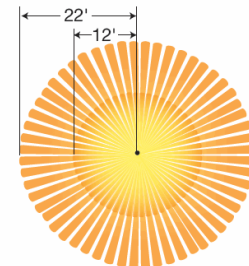
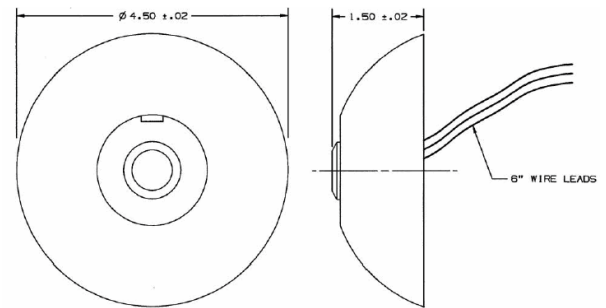
Isolated Relay	Normally open and normally closed terminals available
Power Requirements	24V DC nominal, 33mA from Hubbell CU series control unit

Environmental

Operating Temperature	32°F to 104°F (0°C to 40°C) with rate of change not exceeding 20°F (11°C) per hour
Storage Temperature	-20°F to 150°F (-29°C to 65°C); 0% to 95% non-condensing relative humidity

Sensing Indicators

Passive Infrared	Red LED
------------------	---------



Complementary Products

Control Unit Auto-ON	CU300A
Control Unit Manual-ON	CU300M
Control Unit, HD, Latching, Auto/Manual-ON	CU300HD
Ceiling sensor NEMA 4X enclosure	ACIPE
Ceiling mount raceway adapter	ACMRA

Online Resources

Customer Use Drawing
eCatalog
Installation Instructions

Dimensions in Inches (mm)

Hubbell Wiring Device-Kellems • Hubbell Incorporated (Delaware) • 40 Waterview Drive • Shelton, CT 06484

Phone (800) 288-6000 • Fax (800) 255-1031 • Specifications subject to change without notice.



Features

- Automatic ON operation
- Automatic Voltage Detection eliminates the need for specialized wiring
- Zero Arc Point Switching Minimizes relay contact
- Easily mounts inside or outside a junction box or inside a fluorescent fixture ballast cavity.
- Plenum rated

Ordering Information

Description	Device Color	UPC Number	Catalog Number
Automatic-on operation, 120/277V AC, 50/60Hz	Black	783585181004	CU300A

Listings

cULus listed to UL 916
UL2043 plenum rated per NEC® 2014 300.22(C)(3)
ASHRAE 90.1 compliant

Specifications

Housing	Flame retardant UL 94-5VA thermoplastic
Dimensions	3.69"L x 2.33"W x 1.36"H

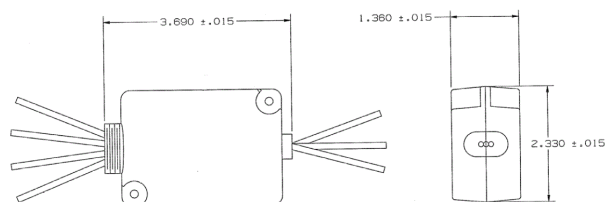
Performance

Electrical

AT Sensor/AAR Capacity	1 to 4 combined
Load Capacity	Incandescent - 0 to 1800 watts, 120V Ballast- 0 to 2400 watts, 277V Ballast- 0 to 5540 watts
Power Output	24V DC, 150mA
Power Supply	120-277V AC, 50/60Hz

Environmental

Operating Temperature	32°F to 104°F (0°C to 40°C); 0% to 90% non condensing relative humidity
Storage Temperature	-20°F to 150°F (-29°C to 65°C); 0% to 90% non condensing relative humidity



Complementary Products

Add-A-Relay AAR

Online Resources

Customer Use Drawing
eCatalog
Installation Instructions

STATE OF WEST VIRGINIA
Purchasing Division

PURCHASING AFFIDAVIT

CONSTRUCTION CONTRACTS: Under W. Va. Code § 5-22-1(i), the contracting public entity shall not award a construction contract to any bidder that is known to be in default on any monetary obligation owed to the state or a political subdivision of the state, including, but not limited to, obligations related to payroll taxes, property taxes, sales and use taxes, fire service fees, or other fines or fees.

ALL CONTRACTS: Under W. Va. Code §5A-3-10a, no contract or renewal of any contract may be awarded by the state or any of its political subdivisions to any vendor or prospective vendor when the vendor or prospective vendor or a related party to the vendor or prospective vendor is a debtor and: (1) the debt owed is an amount greater than one thousand dollars in the aggregate; or (2) the debtor is in employer default.

EXCEPTION: The prohibition listed above does not apply where a vendor has contested any tax administered pursuant to chapter eleven of the W. Va. Code, workers' compensation premium, permit fee or environmental fee or assessment and the matter has not become final or where the vendor has entered into a payment plan or agreement and the vendor is not in default of any of the provisions of such plan or agreement.

DEFINITIONS:

"Debt" means any assessment, premium, penalty, fine, tax or other amount of money owed to the state or any of its political subdivisions because of a judgment, fine, permit violation, license assessment, defaulted workers' compensation premium, penalty or other assessment presently delinquent or due and required to be paid to the state or any of its political subdivisions, including any interest or additional penalties accrued thereon.

"Employer default" means having an outstanding balance or liability to the old fund or to the uninsured employers' fund or being in policy default, as defined in W. Va. Code § 23-2c-2, failure to maintain mandatory workers' compensation coverage, or failure to fully meet its obligations as a workers' compensation self-insured employer. An employer is not in employer default if it has entered into a repayment agreement with the Insurance Commissioner and remains in compliance with the obligations under the repayment agreement.

"Related party" means a party, whether an individual, corporation, partnership, association, limited liability company or any other form or business association or other entity whatsoever, related to any vendor by blood, marriage, ownership or contract through which the party has a relationship of ownership or other interest with the vendor so that the party will actually or by effect receive or control a portion of the benefit, profit or other consideration from performance of a vendor contract with the party receiving an amount that meets or exceeds five percent of the total contract amount.

AFFIRMATION: By signing this form, the vendor's authorized signer affirms and acknowledges under penalty of law for false swearing (W. Va. Code §61-5-3) that: (1) for construction contracts, the vendor is not in default on any monetary obligation owed to the state or a political subdivision of the state, and (2) for all other contracts, that neither vendor nor any related party owe a debt as defined above and that neither vendor nor any related party are in employer default as defined above, unless the debt or employer default is permitted under the exception above.

WITNESS THE FOLLOWING SIGNATURE:

Vendor's Name: W. VA. Electric Supply Co

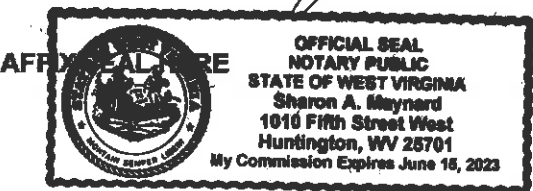
Authorized Signature: Judy Long Date: 12/18/2020

State of WV

County of Cabell, to-wit:

Taken, subscribed, and sworn to before me this 18th day of December, 2020

My Commission expires June 15, 2023



NOTARY PUBLIC Sharon A. Maynard

DESIGNATED CONTACT: Vendor appoints the individual identified in this Section as the Contract Administrator and the initial point of contact for matters relating to this Contract.

Judy Lang Quotations/Job Manager
(Name, Title)
Judy LANG Quotations/Job Manager
(Printed Name and Title)
250 12th St West, Huntington, WV 25704
(Address)
304-399-4523 FAX 304-522-1454
(Phone Number) / (Fax Number)
judy.lang@wvsupply.com
(email address)

CERTIFICATION AND SIGNATURE: By signing below, or submitting documentation through wvOASIS, I certify that I have reviewed this Solicitation in its entirety; that I understand the requirements, terms and conditions, and other information contained herein; that this bid, offer or proposal constitutes an offer to the State that cannot be unilaterally withdrawn; that the product or service proposed meets the mandatory requirements contained in the Solicitation for that product or service, unless otherwise stated herein; that the Vendor accepts the terms and conditions contained in the Solicitation, unless otherwise stated herein; that I am submitting this bid, offer or proposal for review and consideration; that I am authorized by the vendor to execute and submit this bid, offer, or proposal, or any documents related thereto on vendor's behalf; that I am authorized to bind the vendor in a contractual relationship; and that to the best of my knowledge, the vendor has properly registered with any State agency that may require registration.

WV Electric Supply
(Company)
Judy Lang Quotation/Job Manager
(Authorized Signature) (Representative Name, Title)
Judy LANG Quotations/Job MAN
(Printed Name and Title of Authorized Representative)
12/18/2020
(Date)
304-399-4523 FAX 304-522-1454
(Phone Number) (Fax Number)

ADDENDUM ACKNOWLEDGEMENT FORM
SOLICITATION NO.: GSD2100000015

Instructions: Please acknowledge receipt of all addenda issued with this solicitation by completing this addendum acknowledgment form. Check the box next to each addendum received and sign below. Failure to acknowledge addenda may result in bid disqualification.

Acknowledgment: I hereby acknowledge receipt of the following addenda and have made the necessary revisions to my proposal, plans and/or specification, etc.

Addendum Numbers Received:

(Check the box next to each addendum received)

- | | |
|--|--|
| <input checked="" type="checkbox"/> Addendum No. 1 | <input type="checkbox"/> Addendum No. 6 |
| <input type="checkbox"/> Addendum No. 2 | <input type="checkbox"/> Addendum No. 7 |
| <input type="checkbox"/> Addendum No. 3 | <input type="checkbox"/> Addendum No. 8 |
| <input type="checkbox"/> Addendum No. 4 | <input type="checkbox"/> Addendum No. 9 |
| <input type="checkbox"/> Addendum No. 5 | <input type="checkbox"/> Addendum No. 10 |

I understand that failure to confirm the receipt of addenda may be cause for rejection of this bid. I further understand that that any verbal representation made or assumed to be made during any oral discussion held between Vendor's representatives and any state personnel is not binding. Only the information issued in writing and added to the specifications by an official addendum is binding.

WV Electric Supply Co
Company
Judy Sang
Authorized Signature
12/18/2020
Date

NOTE: This addendum acknowledgment should be submitted with the bid to expedite document processing.