



The following documentation is an electronically-submitted vendor response to an advertised solicitation from the *West Virginia Purchasing Bulletin* within the Vendor Self-Service portal at wvOASIS.gov. As part of the State of West Virginia's procurement process, and to maintain the transparency of the bid-opening process, this documentation submitted online is publicly posted by the West Virginia Purchasing Division at WVPurchasing.gov with any other vendor responses to this solicitation submitted to the Purchasing Division in hard copy format.

Header 1

[List View](#)

General Information

[Contact](#)[Default Values](#)[Discount](#)[Document Information](#)[Clarification Request](#)

Procurement Folder: 794738

Procurement Type: Central Purchase Order

Vendor ID: VS0000020768

Legal Name: Bell Electrical Supply Co., Inc.

Alias/DBA:

Total Bid: \$234,434.00

Response Date: 12/11/2020

Response Time: 11:28

Responded By User ID: bellelectric

First Name: ANTHONY

Last Name: BAEK

Email: anthony@bellelectric.nyc

SO Doc Code: CRFQ

SO Dept: 0211

SO Doc ID: GSD2100000015

Published Date: 12/14/20

Close Date: 12/21/20

Close Time: 13:30

Status: Closed

Solicitation Description: Addendum No. 1
Lighting Fixtures and Hardware

Total of Header Attachments: 1

Total of All Attachments: 1



Department of Administration
 Purchasing Division
 2019 Washington Street East
 Post Office Box 50130
 Charleston, WV 25305-0130

**State of West Virginia
 Solicitation Response**

Proc Folder: 794738
Solicitation Description: Addendum No. 1
 Lighting Fixtures and Hardware
Proc Type: Central Purchase Order

Solicitation Closes	Solicitation Response	Version
2020-12-21 13:30	SR 0211 ESR12112000000004212	1

VENDOR
 VS0000020768
 Bell Electrical Supply Co., Inc.

Solicitation Number: CRFQ 0211 GSD2100000015

Total Bid: 234434

Response Date: 2020-12-11

Response Time: 11:28:05

Comments:

FOR INFORMATION CONTACT THE BUYER

Melissa Pettrey
 (304) 558-0094
 melissa.k.pettrey@wv.gov

Vendor Signature X **FEIN#** **DATE**

All offers subject to all terms and conditions contained in this solicitation

Line	Comm Ln Desc	Qty	Unit Issue	Unit Price	Ln Total Or Contract Amount
1	3.1.1 Barron Trace Lite RCL Series Light or Equal	85.00000	EA	144.000000	12240.00

Comm Code	Manufacturer	Specification	Model #
39110000			

Commodity Line Comments:

Extended Description:

3.1.1 Barron Trace Lite RCL Series Light or Equal

Line	Comm Ln Desc	Qty	Unit Issue	Unit Price	Ln Total Or Contract Amount
2	3.1.2 Metalux Cruz Series AMSEM or Equal	35.00000	EA	326.000000	11410.00

Comm Code	Manufacturer	Specification	Model #
39110000			

Commodity Line Comments:

Extended Description:

3.1.2 Metalux Cruz Series AMSEM 24CZ-LD5-40SE-S-UNV-EL7W-L835-CD1-SVPD1-DV-U Light or Equal

Line	Comm Ln Desc	Qty	Unit Issue	Unit Price	Ln Total Or Contract Amount
3	3.1.3 Metalux Cruz Series AMSEGEN or Equal	10.00000	EA	308.000000	3080.00

Comm Code	Manufacturer	Specification	Model #
39110000			

Commodity Line Comments:

Extended Description:

3.1.3 Metalux Cruz Series AMSEGEN 24CZ-LD5-40SE-S-UNV-ERTD-L835-CD1-SVPD1-DV-U Light or Equal.

Line	Comm Ln Desc	Qty	Unit Issue	Unit Price	Ln Total Or Contract Amount
4	3.1.4 Metalux Cruz Series Type AMS or Equal	840.00000	EA	171.000000	143640.00

Comm Code	Manufacturer	Specification	Model #
39110000			

Commodity Line Comments:

Extended Description:

3.1.4 Metalux Cruz Series Type AMS 24CZ-LD5-40SE-S-UNV-L835-CDI-SVPD1-DV U Light or Equal.

Line	Comm Ln Desc	Qty	Unit Issue	Unit Price	Ln Total Or Contract Amount
5	3.1.5 Metalux Cruz Series 22CZ-LD5-39E-S-UNV-L835-DC1-U	100.00000	EA	130.000000	13000.00

Comm Code	Manufacturer	Specification	Model #
39110000			

Commodity Line Comments:

Extended Description:

3.1.5 Metalux Cruz Series 22CZ-LD5-39E-S-UNV-L835-DC1-U Light or Equal.

Line	Comm Ln Desc	Qty	Unit Issue	Unit Price	Ln Total Or Contract Amount
6	3.1.6 Cooper/Eaton Control OSW-P-010 Dimmer or Equal	200.00000	EA	69.000000	13800.00

Comm Code	Manufacturer	Specification	Model #
39110000			

Commodity Line Comments:

Extended Description:

3.1.6 Cooper/Eaton Control OSW-P-010 Dimmer or Equal

Line	Comm Ln Desc	Qty	Unit Issue	Unit Price	Ln Total Or Contract Amount
7	3.1.7 Cooper/Eaton EQ-CLIP-U Fixture Clips or Equal	1000.0000	EA	2.160000	2160.00

Comm Code	Manufacturer	Specification	Model #
39110000			

Commodity Line Comments:

Extended Description:

3.1.7 Cooper/Eaton EQ-CLIP-U Fixture Clips or Equal.

Line	Comm Ln Desc	Qty	Unit Issue	Unit Price	Ln Total Or Contract Amount
8	3.1.8 Hubbell ATP 1500C Motion Detector with Acuity Sensor	75.00000	EA	102.000000	7650.00

Comm Code	Manufacturer	Specification	Model #
39110000			

Commodity Line Comments:

Extended Description:

3.1.8 Hubbell ATP 1500C Motion Detector with Acuity Sensor Switch and Low 35 Power Relay Included or Equal.

Line	Comm Ln Desc	Qty	Unit Issue	Unit Price	Ln Total Or Contract Amount
9	3.1.9 LUMARK by Cooper Prevail-XL Lights and Mounting Hard.	37.00000	EA	742.000000	27454.00

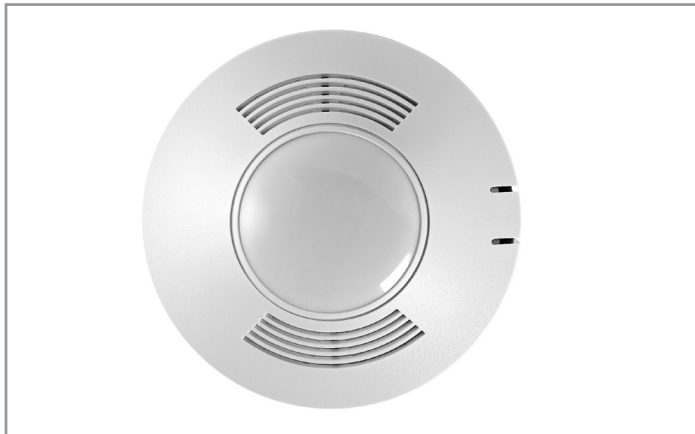
Comm Code	Manufacturer	Specification	Model #
39110000			

Commodity Line Comments:

Extended Description:

3.1.9 LUMARK by Cooper Prevail-XL Discrete Lighting PRV-XL PA4B 750 U 5WQ, Standard, BZ, PA4 96 LED's Per Panel or Equal (Parking Lot Lights and Mounting Hardware).

Project		Catalog #		Type	
Prepared by		Notes		Date	



Greengate

VAC-P-MicroSet PIR

Low Voltage Vacancy Ceiling Sensor

Typical Applications

Conference Rooms • Open Office Spaces • Small Private Offices •
Common Areas • Computer Rooms • Break Rooms •
Restrooms (Non Partitioned) • Utility Closets

Interactive Menu

- Order Information [page 2](#)
- Additional Resources [page 2](#)
- Wiring Diagrams [page 3](#)
- Product Warranty

Product Certification



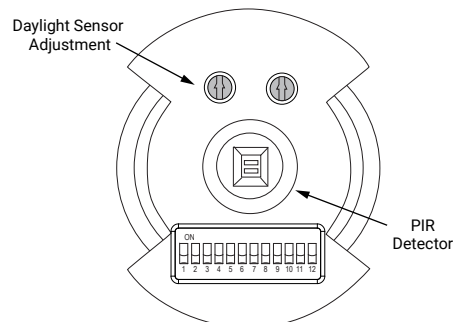
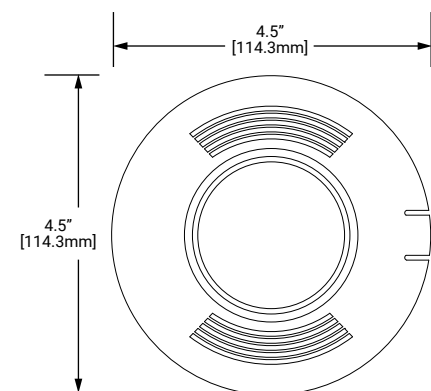
Product Features



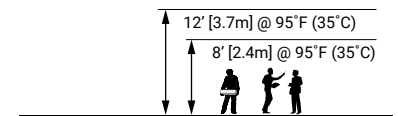
Top Product Features

- MicroSet self-adjusting Time Delay and sensitivity
- Optional built-in light level sensor
- Optional BAS/HVAC isolated relay
- Products tested to NEMA WD 7 - 2011 Occupancy Motion Sensors Standard
- Requires Manual On for activation

Dimensional and Mounting Details



Scale or Mounting Height



[additional product diagrams](#)

Order Information

Catalog Number

Catalog Number	Recommended Room Size	Field of View	Features
VAC-P-0500-R	500 sq. ft.	360°	w/ BAS Relay & Daylight Sensor
VAC-P-1500-R	1,500 sq. ft.	360°	w/ BAS Relay & Daylight Sensor

Optional Accessory Components

Catalog Number

Catalog Number	Description
GMDS-W	Low Voltage Manual ON Switch(es)

Product Specifications

Technology

- Passive Infrared (PIR)

Mechanical

Size: 1.42" H x 4.5" W (36.068mm x 114.3mm)

Mounting: Mounts directly to ceiling tile, to a 4" square box and round mud ring or to 4" octagon box

Environment:

- Operating temperature:** 32°F to 104°F (0°C to 40°C)
- Relative humidity operating:** 20% to 90% non-condensing
- For indoor use only

Housing: Durable, injection molded housing. Polycarbonate resin complies with UL 94V-0

Electrical

Power Requirements:

- Input
 - 10-30 VDC from Greengate Switchpack or Greengate system
 - Maximum current needed is 10mA per sensor
- Output
 - Open collector output to switch up to ten Greengate Switchpacks
 - BAS with Isolated Form C Relay in (-R) model
 - Isolated Form C Relay Ratings: 1A 30 VDC/VAC

Hardware Specifications

LED Indicators:

- Red LED for PIR detection

Controls and Performance

Time delays:

- Self-adjustable, 15 seconds/test (10 minutes Auto), or Selectable 5, 15, 30 minutes, or Zero Time Delay

Coverage:

- 500 and 1,500 sq. ft.

Light sensing level (-R Models):

- 0 to 300 foot candles

Standards/Ratings

- cULus Listed - Energy Management Equipment (UL916)
- FCC Compliant
- RoHS Compliant

Warranty

Five year warranty standard

Overview

The MicroSet Passive Infrared Low Voltage Vacancy Ceiling Sensor increases energy savings by requiring a Manual On input to turn on the lighting.

The Passive Infrared (PIR) sensor monitors space occupancy to deliver maximum energy savings. The sensor includes self-adaptive technology that continuously self-adjusts sensitivity and time delay in real-time, maximizing the potential energy savings that are available in the particular application. The lights are turned ON by activating a momentary switch (model # GMDS-*) that is connected to the sensor. The MicroSet Passive Infrared Low Voltage Ceiling Sensor has an ambient light level sensor. When enabled, the Daylighting feature prevents lights from turning ON when the room is adequately illuminated by natural light. PIR sensors are considered line-of sight sensors, meaning that the sensor must be able to have a direct line-of-sight to the person making the motion.

Wiring Diagrams

VAC-P-1500-R Model

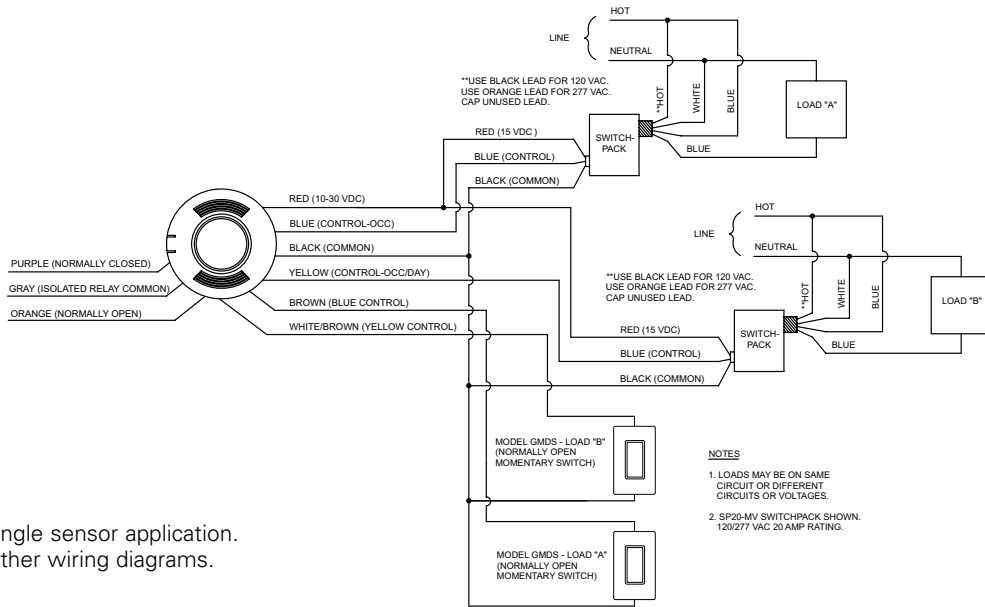
OAC AND VAC MANUAL MODE OPERATION:

1. SWITCHES ARE REQUIRED TO TURN CORRESPONDING LOADS ON.
2. LOADS TURN OFF WHEN SENSOR TIMES OUT OR WITH SWITCHES.
3. IF DAYLIGHT SENSOR IS ENABLED AND LIGHT LEVEL IS ABOVE SETPOINT, SWITCHPACK CONNECTED TO YELLOW LEAD WILL NOT TURN LOAD ON.

OAC AUTOMATIC MODE OPERATION:

1. WHEN SENSOR ACTIVATES, BOTH LOADS TURN ON.
2. SWITCHES CAN BE USED TO TURN LOADS ON OR OFF.
3. IF DAYLIGHT SENSOR IS ENABLED AND LIGHT LEVEL IS ABOVE SETPOINT, SWITCHPACK CONNECTED TO YELLOW LEAD WILL NOT TURN LOAD ON.

RECOMMENDED WIRE:
18-3 AWG STRANDED WIRE SHIELDED OR NON-SHIELDED



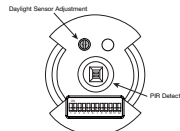
*Wiring diagram for single sensor application.
Visit our website for other wiring diagrams.

Controls

DIP Switch Legend

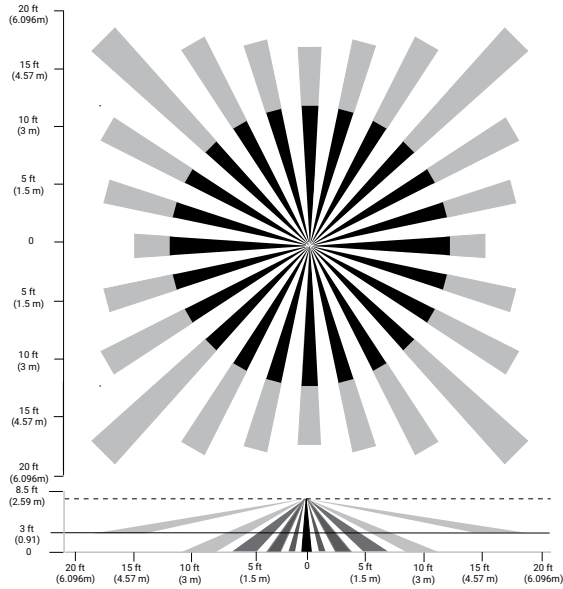
DIP Switch	Time Delay		Not Used		PIR Sensitivity	Not Used		LEDs	Override	Sweep	Full/Half Logic	HVAC/Tracking	Zero Time Delay
	1	2	3	4	5	6	7	8	9	10	11	12	
Auto*	▼	▼			Full ▼			Enable ▼	Disable ▼	Disable ▼	Full ▼	Disable ▼	Disable ▼
5 Minutes	▼	▲			50% ▲			Disable ▲	Enable ▲	Enable ▲	Half ▲	Enable ▲	Enable ▲
15 Minutes	▲	▼											
30 Minutes	▲	▲											
*Self-Adjusts to 10 min. user mode													

Default =



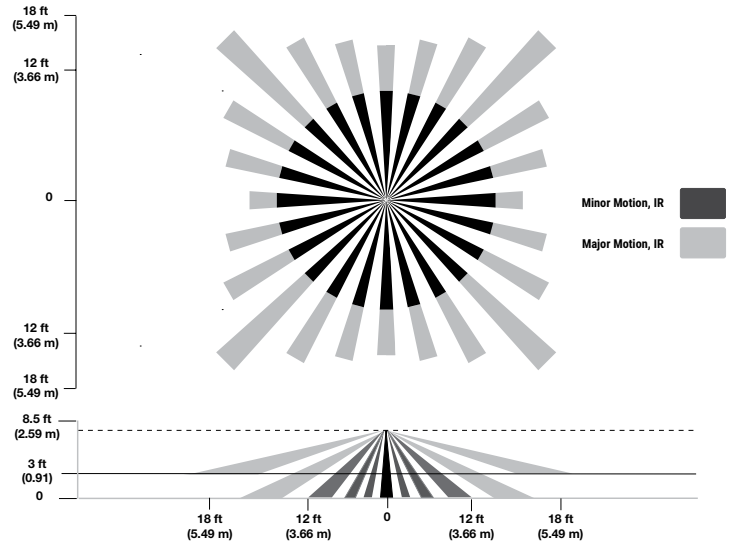
Field of View

VAC-P-1500-R
1500 sq. ft.



Recommended Mounting Height: 8 to 12 ft

VAC-P-0500-R
500 sq. ft.



Control Systems

- Greengate