

Exhibit A

Pricing Sheet

CRFQ 0803 DOT1700000086

Item Number	Estimated Quantity	Unit of Measure	Description	Unit Price Each	Total
1	20	Each	One complete unit: Hydraulic Compact Excavator	\$ 55,768 -	\$ 1,115,360.00 -
				Grand Total	\$ 1,115,360.00 -

Vendor shall list the year, make, and model of the unit being bid:

Year: 2017

Make: VOLVO

Model: EC60E

08/16/17 11:36:32
Purchasing Division

STATE OF WEST VIRGINIA
Purchasing Division

PURCHASING AFFIDAVIT

MANDATE: Under W. Va. Code §5A-3-10a, no contract or renewal of any contract may be awarded by the state or any of its political subdivisions to any vendor or prospective vendor when the vendor or prospective vendor or a related party to the vendor or prospective vendor is a debtor and: (1) the debt owed is an amount greater than one thousand dollars in the aggregate; or (2) the debtor is in employer default.

EXCEPTION: The prohibition listed above does not apply where a vendor has contested any tax administered pursuant to chapter eleven of the W. Va. Code, workers' compensation premium, permit fee or environmental fee or assessment and the matter has not become final or where the vendor has entered into a payment plan or agreement and the vendor is not in default of any of the provisions of such plan or agreement.

DEFINITIONS:

"Debt" means any assessment, premium, penalty, fine, tax or other amount of money owed to the state or any of its political subdivisions because of a judgment, fine, permit violation, license assessment, defaulted workers' compensation premium, penalty or other assessment presently delinquent or due and required to be paid to the state or any of its political subdivisions, including any interest or additional penalties accrued thereon.

"Employer default" means having an outstanding balance or liability to the old fund or to the uninsured employers' fund or being in policy default, as defined in W. Va. Code § 23-2c-2, failure to maintain mandatory workers' compensation coverage, or failure to fully meet its obligations as a workers' compensation self-insured employer. An employer is not in employer default if it has entered into a repayment agreement with the Insurance Commissioner and remains in compliance with the obligations under the repayment agreement.

"Related party" means a party, whether an individual, corporation, partnership, association, limited liability company or any other form or business association or other entity whatsoever, related to any vendor by blood, marriage, ownership or contract through which the party has a relationship of ownership or other interest with the vendor so that the party will actually or by effect receive or control a portion of the benefit, profit or other consideration from performance of a vendor contract with the party receiving an amount that meets or exceeds five percent of the total contract amount.

AFFIRMATION: By signing this form, the vendor's authorized signer affirms and acknowledges under penalty of law for false swearing (W. Va. Code §61-5-3) that neither vendor nor any related party owe a debt as defined above and that neither vendor nor any related party are in employer default as defined above, unless the debt or employer default is permitted under the exception above.

WITNESS THE FOLLOWING SIGNATURE:

Vendor's Name: Rudd Equipment Company

Authorized Signature: [Signature] Date: 8/8/17

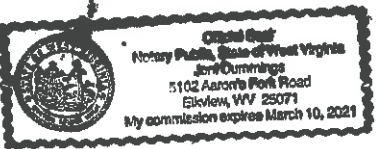
State of West Virginia

County of Kanawha, to-wit:

Taken, subscribed, and sworn to before me this 8 day of August, 2017.

My Commission expires March 10, 2021, 20 .

AFFIX SEAL HERE



NOTARY PUBLIC [Signature]

Purchasing Affidavit (Revised 08/01/2015)

✓

GENERAL TERMS AND CONDITIONS:

1. CONTRACTUAL AGREEMENT: Issuance of a Award Document signed by the Purchasing Division Director, or his designee, and approved as to form by the Attorney General's office constitutes acceptance of this Contract made by and between the State of West Virginia and the Vendor. Vendor's signature on its bid signifies Vendor's agreement to be bound by and accept the terms and conditions contained in this Contract.

2. DEFINITIONS: As used in this Solicitation/Contract, the following terms shall have the meanings attributed to them below. Additional definitions may be found in the specifications included with this Solicitation/Contract.

2.1. "Agency" or "Agencies" means the agency, board, commission, or other entity of the State of West Virginia that is identified on the first page of the Solicitation or any other public entity seeking to procure goods or services under this Contract.

2.2. "Bid" or "Proposal" means the vendors submitted response to this solicitation.

2.3. "Contract" means the binding agreement that is entered into between the State and the Vendor to provide the goods or services requested in the Solicitation.

2.4. "Director" means the Director of the West Virginia Department of Administration, Purchasing Division.

2.5. "Purchasing Division" means the West Virginia Department of Administration, Purchasing Division.

2.6. "Award Document" means the document signed by the Agency and the Purchasing Division, and approved as to form by the Attorney General, that identifies the Vendor as the contract holder.

2.7. "Solicitation" means the official notice of an opportunity to supply the State with goods or services that is published by the Purchasing Division.

2.8. "State" means the State of West Virginia and/or any of its agencies, commissions, boards, etc. as context requires.

2.9. "Vendor" or "Vendors" means any entity submitting a bid in response to the Solicitation, the entity that has been selected as the lowest responsible bidder, or the entity that has been awarded the Contract as context requires.

3. CONTRACT TERM; RENEWAL; EXTENSION: The term of this Contract shall be determined in accordance with the category that has been identified as applicable to this Contract below:

Term Contract

Initial Contract Term: This Contract becomes effective on _____
upon award _____ and extends for a period of _____ one (1) _____ year(s).

Renewal Term: This Contract may be renewed upon the mutual written consent of the Agency, and the Vendor, with approval of the Purchasing Division and the Attorney General's office (Attorney General approval is as to form only). Any request for renewal should be submitted to the Purchasing Division thirty (30) days prior to the expiration date of the initial contract term or appropriate renewal term. A Contract renewal shall be in accordance with the terms and conditions of the original contract. Renewal of this Contract is limited to _____ three (3) _____ successive one (1) year periods or multiple renewal periods of less than one year, provided that the multiple renewal periods do not exceed _____ thirty-six (36) _____ months in total. Automatic renewal of this Contract is prohibited. Notwithstanding the foregoing, Purchasing Division approval is not required on agency delegated or exempt purchases. Attorney General approval may be required for vendor terms and conditions.

Delivery Order Limitations: In the event that this contract permits delivery orders, a delivery order may only be issued during the time this Contract is in effect. Any delivery order issued within one year of the expiration of this Contract shall be effective for one year from the date the delivery order is issued. No delivery order may be extended beyond one year after this Contract has expired.

Fixed Period Contract: This Contract becomes effective upon Vendor's receipt of the notice to proceed and must be completed within _____ days.

Fixed Period Contract with Renewals: This Contract becomes effective upon Vendor's receipt of the notice to proceed and part of the Contract more fully described in the attached specifications must be completed within _____ days.

Upon completion, the vendor agrees that maintenance, monitoring, or warranty services will be provided for one year thereafter with an additional _____ successive one year renewal periods or multiple renewal periods of less than one year provided that the multiple renewal periods do not exceed _____ months in total. Automatic renewal of this Contract is prohibited.

One Time Purchase: The term of this Contract shall run from the issuance of the Award Document until all of the goods contracted for have been delivered, but in no event will this Contract extend for more than one fiscal year.

Other: See attached.

4. NOTICE TO PROCEED: Vendor shall begin performance of this Contract immediately upon receiving notice to proceed unless otherwise instructed by the Agency. Unless otherwise specified, the fully executed Award Document will be considered notice to proceed.

5. QUANTITIES: The quantities required under this Contract shall be determined in accordance with the category that has been identified as applicable to this Contract below.

Open End Contract: Quantities listed in this Solicitation are approximations only, based on estimates supplied by the Agency. It is understood and agreed that the Contract shall cover the quantities actually ordered for delivery during the term of the Contract, whether more or less than the quantities shown.

Service: The scope of the service to be provided will be more clearly defined in the specifications included herewith.

Combined Service and Goods: The scope of the service and deliverable goods to be provided will be more clearly defined in the specifications included herewith.

One Time Purchase: This Contract is for the purchase of a set quantity of goods that are identified in the specifications included herewith. Once those items have been delivered, no additional goods may be procured under this Contract without an appropriate change order approved by the Vendor, Agency, Purchasing Division, and Attorney General's office.

6. EMERGENCY PURCHASES: The Purchasing Division Director may authorize the Agency to purchase goods or services in the open market that Vendor would otherwise provide under this Contract if those goods or services are for immediate or expedited delivery in an emergency. Emergencies shall include, but are not limited to, delays in transportation or an unanticipated increase in the volume of work. An emergency purchase in the open market, approved by the Purchasing Division Director, shall not constitute a breach of this Contract and shall not entitle the Vendor to any form of compensation or damages. This provision does not excuse the State from fulfilling its obligations under a One Time Purchase contract.

7. REQUIRED DOCUMENTS: All of the items checked below must be provided to the Purchasing Division by the Vendor as specified below.

BID BOND (Construction Only): Pursuant to the requirements contained in W. Va. Code § 5-22-1(c), All Vendors submitting a bid on a construction project shall furnish a valid bid bond in the amount of five percent (5%) of the total amount of the bid protecting the State of West Virginia. The bid bond must be submitted with the bid.

PERFORMANCE BOND: The apparent successful Vendor shall provide a performance bond in the amount of _____. The performance bond must be received by the Purchasing Division prior to Contract award. On construction contracts, the performance bond must be 100% of the Contract value.

LABOR/MATERIAL PAYMENT BOND: The apparent successful Vendor shall provide a labor/material payment bond in the amount of 100% of the Contract value. The labor/material payment bond must be delivered to the Purchasing Division prior to Contract award.

In lieu of the Bid Bond, Performance Bond, and Labor/Material Payment Bond, the Vendor may provide certified checks, cashier's checks, or irrevocable letters of credit. Any certified check, cashier's check, or irrevocable letter of credit provided in lieu of a bond must be of the same amount and delivered on the same schedule as the bond it replaces. A letter of credit submitted in lieu of a performance and labor/material payment bond will only be allowed for projects under \$100,000. Personal or business checks are not acceptable. Notwithstanding the foregoing, West Virginia Code § 5-22-1 (d) mandates that a vendor provide a performance and labor/material payment bond for construction projects. Accordingly, substitutions for the performance and labor/material payment bonds for construction projects is not permitted.

MAINTENANCE BOND: The apparent successful Vendor shall provide a two (2) year maintenance bond covering the roofing system. The maintenance bond must be issued and delivered to the Purchasing Division prior to Contract award.

LICENSE(S) / CERTIFICATIONS / PERMITS: In addition to anything required under the Section entitled Licensing, of the General Terms and Conditions, the apparent successful Vendor shall furnish proof of the following licenses, certifications, and/or permits prior to Contract award, in a form acceptable to the Purchasing Division.

The apparent successful Vendor shall also furnish proof of any additional licenses or certifications contained in the specifications prior to Contract award regardless of whether or not that requirement is listed above.

8. INSURANCE: The apparent successful Vendor shall furnish proof of the insurance identified by a checkmark below prior to Contract award. Subsequent to contract award, and prior to the insurance expiration date, Vendor shall provide the Agency with proof that the insurance mandated herein has been continued. Vendor must also provide Agency with immediate notice of any changes in its insurance policies mandated herein, including but not limited to, policy cancelation, policy reduction, or change in insurers. The insurance coverages identified below must be maintained throughout the life of this contract. The apparent successful Vendor shall also furnish proof of any additional insurance requirements contained in the specifications prior to Contract award regardless of whether or not that insurance requirement is listed in this section.

Vendor must maintain:

Commercial General Liability Insurance in at least an amount of:

Automobile Liability Insurance in at least an amount of: _____

Professional/Malpractice/Errors and Omission Insurance in at least an amount of:

Commercial Crime and Third Party Fidelity Insurance in an amount of:

Cyber Liability Insurance in an amount of: _____

Builders Risk Insurance in an amount equal to 100% of the amount of the Contract.

9. WORKERS' COMPENSATION INSURANCE: The apparent successful Vendor shall comply with laws relating to workers compensation, shall maintain workers' compensation insurance when required, and shall furnish proof of workers' compensation insurance upon request.

10. LITIGATION BOND: The Director reserves the right to require any Vendor that files a protest of an award to submit a litigation bond in the amount equal to one percent of the lowest bid submitted or \$5,000, whichever is greater. The entire amount of the bond shall be forfeited if the hearing officer determines that the protest was filed for frivolous or improper purpose, including but not limited to, the purpose of harassing, causing unnecessary delay, or needless expense for the Agency. All litigation bonds shall be made payable to the Purchasing Division. In lieu of a bond, the protester may submit a cashier's check or certified check payable to the Purchasing Division. Cashier's or certified checks will be deposited with and held by the State Treasurer's office. If it is determined that the protest has not been filed for frivolous or improper purpose, the bond or deposit shall be returned in its entirety.

11. LIQUIDATED DAMAGES: Vendor shall pay liquidated damages in the amount of

n/a

for n/a

This clause shall in no way be considered exclusive and shall not limit the State or Agency's right to pursue any other available remedy.

12. ACCEPTANCE: Vendor's signature on its bid, or on the certification and signature page, constitutes an offer to the State that cannot be unilaterally withdrawn, signifies that the product or service proposed by vendor meets the mandatory requirements contained in the Solicitation for that product or service, unless otherwise indicated, and signifies acceptance of the terms and conditions contained in the Solicitation unless otherwise indicated.

13. PRICING: The pricing set forth herein is firm for the life of the Contract, unless specified elsewhere within this Solicitation/Contract by the State. A Vendor's inclusion of price adjustment provisions in its bid, without an express authorization from the State in the Solicitation to do so, may result in bid disqualification.

14. PAYMENT: Payment in advance is prohibited under this Contract. Payment may only be made after the delivery and acceptance of goods or services. The Vendor shall submit invoices, in arrears.

15. PURCHASING CARD ACCEPTANCE: The State of West Virginia currently utilizes a Purchasing Card program, administered under contract by a banking institution, to process payment for goods and services. The Vendor must accept the State of West Virginia's Purchasing Card for payment of all orders under this Contract unless the box below is checked.

Vendor is not required to accept the State of West Virginia's Purchasing Card as payment for all goods and services.

16. TAXES: The Vendor shall pay any applicable sales, use, personal property or any other taxes arising out of this Contract and the transactions contemplated thereby. The State of West Virginia is exempt from federal and state taxes and will not pay or reimburse such taxes.

17. ADDITIONAL FEES: Vendor is not permitted to charge additional fees or assess additional charges that were not either expressly provided for in the solicitation published by the State of West Virginia or included in the unit price or lump sum bid amount that Vendor is required by the solicitation to provide. Including such fees or charges as notes to the solicitation may result in rejection of vendor's bid. Requesting such fees or charges be paid after the contract has been awarded may result in cancellation of the contract.

18. FUNDING: This Contract shall continue for the term stated herein, contingent upon funds being appropriated by the Legislature or otherwise being made available. In the event funds are not appropriated or otherwise made available, this Contract becomes void and of no effect beginning on July 1 of the fiscal year for which funding has not been appropriated or otherwise made available.

19. CANCELLATION: The Purchasing Division Director reserves the right to cancel this Contract immediately upon written notice to the vendor if the materials or workmanship supplied do not conform to the specifications contained in the Contract. The Purchasing Division Director may also cancel any purchase or Contract upon 30 days written notice to the Vendor in accordance with West Virginia Code of State Rules § 148-1-6.1.e.

20. TIME: Time is of the essence with regard to all matters of time and performance in this Contract.

21. APPLICABLE LAW: This Contract is governed by and interpreted under West Virginia law without giving effect to its choice of law principles. Any information provided in specification manuals, or any other source, verbal or written, which contradicts or violates the West Virginia Constitution, West Virginia Code or West Virginia Code of State Rules is void and of no effect.

22. COMPLIANCE: Vendor shall comply with all applicable federal, state, and local laws, regulations and ordinances. By submitting a bid, Vendor acknowledges that it has reviewed, understands, and will comply with all applicable laws, regulations, and ordinances.

23. ARBITRATION: Any references made to arbitration contained in this Contract, Vendor's bid, or in any American Institute of Architects documents pertaining to this Contract are hereby deleted, void, and of no effect.

24. MODIFICATIONS: This writing is the parties' final expression of intent. Notwithstanding anything contained in this Contract to the contrary no modification of this Contract shall be binding without mutual written consent of the Agency, and the Vendor, with approval of the Purchasing Division and the Attorney General's office (Attorney General approval is as to form only). Any change to existing contracts that adds work or changes contract cost, and were not included in the original contract, must be approved by the Purchasing Division and the Attorney General's Office (as to form) prior to the implementation of the change or commencement of work affected by the change.

Revised 04/07/2017

25. WAIVER: The failure of either party to insist upon a strict performance of any of the terms or provision of this Contract, or to exercise any option, right, or remedy herein contained, shall not be construed as a waiver or a relinquishment for the future of such term, provision, option, right, or remedy, but the same shall continue in full force and effect. Any waiver must be expressly stated in writing and signed by the waiving party.

26. SUBSEQUENT FORMS: The terms and conditions contained in this Contract shall supersede any and all subsequent terms and conditions which may appear on any form documents submitted by Vendor to the Agency or Purchasing Division such as price lists, order forms, invoices, sales agreements, or maintenance agreements, and includes internet websites or other electronic documents. Acceptance or use of Vendor's forms does not constitute acceptance of the terms and conditions contained thereon.

27. ASSIGNMENT: Neither this Contract nor any monies due, or to become due hereunder, may be assigned by the Vendor without the express written consent of the Agency, the Purchasing Division, the Attorney General's office (as to form only), and any other government agency or office that may be required to approve such assignments. Notwithstanding the foregoing, Purchasing Division approval may or may not be required on certain agency delegated or exempt purchases.

28. WARRANTY: The Vendor expressly warrants that the goods and/or services covered by this Contract will: (a) conform to the specifications, drawings, samples, or other description furnished or specified by the Agency; (b) be merchantable and fit for the purpose intended; and (c) be free from defect in material and workmanship.

29. STATE EMPLOYEES: State employees are not permitted to utilize this Contract for personal use and the Vendor is prohibited from permitting or facilitating the same.

30. BANKRUPTCY: In the event the Vendor files for bankruptcy protection, the State of West Virginia may deem this Contract null and void, and terminate this Contract without notice.

31. PRIVACY, SECURITY, AND CONFIDENTIALITY: The Vendor agrees that it will not disclose to anyone, directly or indirectly, any such personally identifiable information or other confidential information gained from the Agency, unless the individual who is the subject of the information consents to the disclosure in writing or the disclosure is made pursuant to the Agency's policies, procedures, and rules. Vendor further agrees to comply with the Confidentiality Policies and Information Security Accountability Requirements, set forth in <http://www.state.wv.us/admin/purchase/privacy/default.html>.

32. YOUR SUBMISSION IS A PUBLIC DOCUMENT: Vendor's entire response to the Solicitation and the resulting Contract are public documents. As public documents, they will be disclosed to the public following the bid/proposal opening or award of the contract, as required by the competitive bidding laws of West Virginia Code §§ 5A-3-1 et seq., 5-22-1 et seq., and 5G-1-1 et seq. and the Freedom of Information Act West Virginia Code §§ 29B-1-1 et seq.

DO NOT SUBMIT MATERIAL YOU CONSIDER TO BE CONFIDENTIAL, A TRADE SECRET, OR OTHERWISE NOT SUBJECT TO PUBLIC DISCLOSURE.

Submission of any bid, proposal, or other document to the Purchasing Division constitutes your explicit consent to the subsequent public disclosure of the bid, proposal, or document. The Purchasing Division will disclose any document labeled "confidential," "proprietary," "trade secret," "private," or labeled with any other claim against public disclosure of the documents, to include any "trade secrets" as defined by West Virginia Code § 47-22-1 et seq. All submissions are subject to public disclosure without notice.

33. LICENSING: In accordance with West Virginia Code of State Rules § 148-1-6.1.e, Vendor must be licensed and in good standing in accordance with any and all state and local laws and requirements by any state or local agency of West Virginia, including, but not limited to, the West Virginia Secretary of State's Office, the West Virginia Tax Department, West Virginia Insurance Commission, or any other state agency or political subdivision. Upon request, the Vendor must provide all necessary releases to obtain information to enable the Purchasing Division Director or the Agency to verify that the Vendor is licensed and in good standing with the above entities.

34. ANTITRUST: In submitting a bid to, signing a contract with, or accepting a Award Document from any agency of the State of West Virginia, the Vendor agrees to convey, sell, assign, or transfer to the State of West Virginia all rights, title, and interest in and to all causes of action it may now or hereafter acquire under the antitrust laws of the United States and the State of West Virginia for price fixing and/or unreasonable restraints of trade relating to the particular commodities or services purchased or acquired by the State of West Virginia. Such assignment shall be made and become effective at the time the purchasing agency tenders the initial payment to Vendor.

35. VENDOR CERTIFICATIONS: By signing its bid or entering into this Contract, Vendor certifies (1) that its bid or offer was made without prior understanding, agreement, or connection with any corporation, firm, limited liability company, partnership, person or entity submitting a bid or offer for the same material, supplies, equipment or services; (2) that its bid or offer is in all respects fair and without collusion or fraud; (3) that this Contract is accepted or entered into without any prior understanding, agreement, or connection to any other entity that could be considered a violation of law; and (4) that it has reviewed this Solicitation in its entirety; understands the requirements, terms and conditions, and other information contained herein.

Vendor's signature on its bid or offer also affirms that neither it nor its representatives have any interest, nor shall acquire any interest, direct or indirect, which would compromise the performance of its services hereunder. Any such interests shall be promptly presented in detail to the Agency. The individual signing this bid or offer on behalf of Vendor certifies that he or she is authorized by the Vendor to execute this bid or offer or any documents related thereto on Vendor's behalf; that he or she is authorized to bind the Vendor in a contractual relationship; and that, to the best of his or her knowledge, the Vendor has properly registered with any State agency that may require registration.

36. VENDOR RELATIONSHIP: The relationship of the Vendor to the State shall be that of an independent contractor and no principal-agent relationship or employer-employee relationship is contemplated or created by this Contract. The Vendor as an independent contractor is solely liable for the acts and omissions of its employees and agents. Vendor shall be responsible for selecting, supervising, and compensating any and all individuals employed pursuant to the terms of this Solicitation and resulting contract. Neither the Vendor, nor any employees or subcontractors of the Vendor, shall be deemed to be employees of the State for any purpose whatsoever. Vendor shall be exclusively responsible for payment of employees and contractors for all wages and salaries, taxes, withholding payments, penalties, fees, fringe benefits, professional liability insurance premiums, contributions to insurance and pension, or other deferred compensation plans, including but not limited to, Workers' Compensation and Social Security obligations, licensing fees, etc. and the filing of all necessary documents, forms, and returns pertinent to all of the foregoing.

Vendor shall hold harmless the State, and shall provide the State and Agency with a defense against any and all claims including, but not limited to, the foregoing payments, withholdings, contributions, taxes, Social Security taxes, and employer income tax returns.

37. INDEMNIFICATION: The Vendor agrees to indemnify, defend, and hold harmless the State and the Agency, their officers, and employees from and against: (1) Any claims or losses for services rendered by any subcontractor, person, or firm performing or supplying services, materials, or supplies in connection with the performance of the Contract; (2) Any claims or losses resulting to any person or entity injured or damaged by the Vendor, its officers, employees, or subcontractors by the publication, translation, reproduction, delivery, performance, use, or disposition of any data used under the Contract in a manner not authorized by the Contract, or by Federal or State statutes or regulations; and (3) Any failure of the Vendor, its officers, employees, or subcontractors to observe State and Federal laws including, but not limited to, labor and wage and hour laws.

38. PURCHASING AFFIDAVIT: In accordance with West Virginia Code § 5A-3-10a, all Vendors are required to sign, notarize, and submit the Purchasing Affidavit stating that neither the Vendor nor a related party owe a debt to the State in excess of \$1,000. The affidavit must be submitted prior to award, but should be submitted with the Vendor's bid. A copy of the Purchasing Affidavit is included herewith.

39. ADDITIONAL AGENCY AND LOCAL GOVERNMENT USE: This Contract may be utilized by other agencies, spending units, and political subdivisions of the State of West Virginia; county, municipal, and other local government bodies; and school districts (“Other Government Entities”). Any extension of this Contract to the aforementioned Other Government Entities must be on the same prices, terms, and conditions as those offered and agreed to in this Contract, provided that such extension is in compliance with the applicable laws, rules, and ordinances of the Other Government Entity. If the Vendor does not wish to extend the prices, terms, and conditions of its bid and subsequent contract to the Other Government Entities, the Vendor must clearly indicate such refusal in its bid. A refusal to extend this Contract to the Other Government Entities shall not impact or influence the award of this Contract in any manner.

40. CONFLICT OF INTEREST: Vendor, its officers or members or employees, shall not presently have or acquire an interest, direct or indirect, which would conflict with or compromise the performance of its obligations hereunder. Vendor shall periodically inquire of its officers, members and employees to ensure that a conflict of interest does not arise. Any conflict of interest discovered shall be promptly presented in detail to the Agency.

41. REPORTS: Vendor shall provide the Agency and/or the Purchasing Division with the following reports identified by a checked box below:

Such reports as the Agency and/or the Purchasing Division may request. Requested reports may include, but are not limited to, quantities purchased, agencies utilizing the contract, total contract expenditures by agency, etc.

Quarterly reports detailing the total quantity of purchases in units and dollars, along with a listing of purchases by agency. Quarterly reports should be delivered to the Purchasing Division via email at purchasing.requisitions@wv.gov.

42. BACKGROUND CHECK: In accordance with W. Va. Code § 15-2D-3, the Director of the Division of Protective Services shall require any service provider whose employees are regularly employed on the grounds or in the buildings of the Capitol complex or who have access to sensitive or critical information to submit to a fingerprint-based state and federal background inquiry through the state repository. The service provider is responsible for any costs associated with the fingerprint-based state and federal background inquiry.

After the contract for such services has been approved, but before any such employees are permitted to be on the grounds or in the buildings of the Capitol complex or have access to sensitive or critical information, the service provider shall submit a list of all persons who will be physically present and working at the Capitol complex to the Director of the Division of Protective Services for purposes of verifying compliance with this provision. The State reserves the right to prohibit a service provider’s employees from accessing sensitive or critical information or to be present at the Capitol complex based upon results addressed from a criminal background check.

Service providers should contact the West Virginia Division of Protective Services by phone at (304) 558-9911 for more information.

43. PREFERENCE FOR USE OF DOMESTIC STEEL PRODUCTS: Except when authorized by the Director of the Purchasing Division pursuant to W. Va. Code § 5A-3-56, no contractor may use or supply steel products for a State Contract Project other than those steel products made in the United States. A contractor who uses steel products in violation of this section may be subject to civil penalties pursuant to W. Va. Code § 5A-3-56. As used in this section:

- a. "State Contract Project" means any erection or construction of, or any addition to, alteration of or other improvement to any building or structure, including, but not limited to, roads or highways, or the installation of any heating or cooling or ventilating plants or other equipment, or the supply of and materials for such projects, pursuant to a contract with the State of West Virginia for which bids were solicited on or after June 6, 2001.
- b. "Steel Products" means products rolled, formed, shaped, drawn, extruded, forged, cast, fabricated or otherwise similarly processed, or processed by a combination of two or more or such operations, from steel made by the open heath, basic oxygen, electric furnace, Bessemer or other steel making process. The Purchasing Division Director may, in writing, authorize the use of foreign steel products if:
- c. The cost for each contract item used does not exceed one tenth of one percent (.1%) of the total contract cost or two thousand five hundred dollars (\$2,500.00), whichever is greater. For the purposes of this section, the cost is the value of the steel product as delivered to the project; or
- d. The Director of the Purchasing Division determines that specified steel materials are not produced in the United States in sufficient quantity or otherwise are not reasonably available to meet contract requirements.

44. PREFERENCE FOR USE OF DOMESTIC ALUMINUM, GLASS, AND STEEL: In Accordance with W. Va. Code § 5-19-1 et seq., and W. Va. CSR § 148-10-1 et seq., for every contract or subcontract, subject to the limitations contained herein, for the construction, reconstruction, alteration, repair, improvement or maintenance of public works or for the purchase of any item of machinery or equipment to be used at sites of public works, only domestic aluminum, glass or steel products shall be supplied unless the spending officer determines, in writing, after the receipt of offers or bids, (1) that the cost of domestic aluminum, glass or steel products is unreasonable or inconsistent with the public interest of the State of West Virginia, (2) that domestic aluminum, glass or steel products are not produced in sufficient quantities to meet the contract requirements, or (3) the available domestic aluminum, glass, or steel do not meet the contract specifications. This provision only applies to public works contracts awarded in an amount more than fifty thousand dollars (\$50,000) or public works contracts that require more than ten thousand pounds of steel products.

The cost of domestic aluminum, glass, or steel products may be unreasonable if the cost is more than twenty percent (20%) of the bid or offered price for foreign made aluminum, glass, or steel products. If the domestic aluminum, glass or steel products to be supplied or produced in a "substantial labor surplus area", as defined by the United States Department of Labor, the cost of domestic aluminum, glass, or steel products may be unreasonable if the cost is more than thirty percent (30%) of the bid or offered price for foreign made aluminum, glass, or steel products. This preference shall be applied to an item of machinery or equipment, as indicated above, when the item is a single unit of equipment or machinery manufactured primarily of aluminum, glass or steel, is part of a public works contract and has the sole purpose or of being a permanent part of a single public works project. This provision does not apply to equipment or machinery purchased by a spending unit for use by that spending unit and not as part of a single public works project.

All bids and offers including domestic aluminum, glass or steel products that exceed bid or offer prices including foreign aluminum, glass or steel products after application of the preferences provided in this provision may be reduced to a price equal to or lower than the lowest bid or offer price for foreign aluminum, glass or steel products plus the applicable preference. If the reduced bid or offer prices are made in writing and supersede the prior bid or offer prices, all bids or offers, including the reduced bid or offer prices, will be reevaluated in accordance with this rule.

DESIGNATED CONTACT: Vendor appoints the individual identified in this Section as the Contract Administrator and the initial point of contact for matters relating to this Contract.

RONALD JACOBS - SALESMAN

(Name, Title)
RONALD JACOBS - SALESMAN

(Printed Name and Title)
PO BOX 610, NITRO, WV 25143

(Address)
304-755-7788 304-755-7990


(Phone Number) / (Fax Number)
rjacobs@ruddequipment.com

(email address)

CERTIFICATION AND SIGNATURE: By signing below, or submitting documentation through wvOASIS, I certify that I have reviewed this Solicitation in its entirety; that I understand the requirements, terms and conditions, and other information contained herein; that this bid, offer or proposal constitutes an offer to the State that cannot be unilaterally withdrawn; that the product or service proposed meets the mandatory requirements contained in the Solicitation for that product or service, unless otherwise stated herein; that the Vendor accepts the terms and conditions contained in the Solicitation, unless otherwise stated herein; that I am submitting this bid, offer or proposal for review and consideration; that I am authorized by the vendor to execute and submit this bid, offer, or proposal, or any documents related thereto on vendor's behalf; that I am authorized to bind the vendor in a contractual relationship; and that to the best of my knowledge, the vendor has properly registered with any State agency that may require registration.

RUDD EQUIPMENT COMPANY, INC.

(Company)



(Authorized Signature) (Representative Name, Title)

RONALD JACOBS - SALESMAN

(Printed Name and Title of Authorized Representative)

8/15/17

(Date)

304-546-5253 304 755 7990

(Phone Number) (Fax Number)

State of West Virginia

VENDOR PREFERENCE CERTIFICATE

Certification and application is hereby made for Preference in accordance with **West Virginia Code**, §5A-3-37. (Does not apply to construction contracts). **West Virginia Code**, §5A-3-37, provides an opportunity for qualifying vendors to request (at the time of bid) preference for their residency status. Such preference is an evaluation method only and will be applied only to the cost bid in accordance with the **West Virginia Code**. This certificate for application is to be used to request such preference. The Purchasing Division will make the determination of the Vendor Preference, if applicable.

1. **Application is made for 2.5% vendor preference for the reason checked:**
 Bidder is an individual resident vendor and has resided continuously in West Virginia for four (4) years immediately preceding the date of this certification; **or**,
 Bidder is a partnership, association or corporation resident vendor and has maintained its headquarters or principal place of business continuously in West Virginia for four (4) years immediately preceding the date of this certification;
 Bidder is a resident vendor partnership, association, or corporation with at least eighty percent of ownership interest of bidder held by another entity that meets the applicable four year residency requirement; **or**,
 Bidder is a nonresident vendor which has an affiliate or subsidiary which employs a minimum of one hundred state residents and which has maintained its headquarters or principal place of business within West Virginia continuously for the four (4) years immediately preceding the date of this certification; **or**,
2. **Application is made for 2.5% vendor preference for the reason checked:**
 Bidder is a resident vendor who certifies that, during the life of the contract, on average at least 75% of the employees working on the project being bid are residents of West Virginia who have resided in the state continuously for the two years immediately preceding submission of this bid; **or**,
3. **Application is made for 2.5% vendor preference for the reason checked:**
 Bidder is a nonresident vendor that employs a minimum of one hundred state residents, or a nonresident vendor which has an affiliate or subsidiary which maintains its headquarters or principal place of business within West Virginia and employs a minimum of one hundred state residents, and for purposes of producing or distributing the commodities or completing the project which is the subject of the bidder's bid and continuously over the entire term of the project, on average at least seventy-five percent of the bidder's employees or the bidder's affiliate's or subsidiary's employees are residents of West Virginia who have resided in the state continuously for the two immediately preceding years and the vendor's bid; **or**,
4. **Application is made for 5% vendor preference for the reason checked:**
 Bidder meets either the requirement of both subdivisions (1) and (2) or subdivision (1) and (3) as stated above; **or**,
5. **Application is made for 3.5% vendor preference who is a veteran for the reason checked:**
 Bidder is an individual resident vendor who is a veteran of the United States armed forces, the reserves or the National Guard and has resided in West Virginia continuously for the four years immediately preceding the date on which the bid is submitted; **or**,
6. **Application is made for 3.5% vendor preference who is a veteran for the reason checked:**
 Bidder is a resident vendor who is a veteran of the United States armed forces, the reserves or the National Guard, if, for purposes of producing or distributing the commodities or completing the project which is the subject of the vendor's bid and continuously over the entire term of the project, on average at least seventy-five percent of the vendor's employees are residents of West Virginia who have resided in the state continuously for the two immediately preceding years.
7. **Application is made for preference as a non-resident small, women- and minority-owned business, in accordance with West Virginia Code §5A-3-59 and West Virginia Code of State Rules.**
 Bidder has been or expects to be approved prior to contract award by the Purchasing Division as a certified small, women- and minority-owned business.

Bidder understands if the Secretary of Revenue determines that a Bidder receiving preference has failed to continue to meet the requirements for such preference, the Secretary may order the Director of Purchasing to: (a) rescind the contract or purchase order; or (b) assess a penalty against such Bidder in an amount not to exceed 5% of the bid amount and that such penalty will be paid to the contracting agency or deducted from any unpaid balance on the contract or purchase order.

By submission of this certificate, Bidder agrees to disclose any reasonably requested information to the Purchasing Division and authorizes the Department of Revenue to disclose to the Director of Purchasing appropriate information verifying that Bidder has paid the required business taxes, provided that such information does not contain the amounts of taxes paid nor any other information deemed by the Tax Commissioner to be confidential.

Bidder hereby certifies that this certificate is true and accurate in all respects; and that if a contract is issued to Bidder and if anything contained within this certificate changes during the term of the contract, Bidder will notify the Purchasing Division in writing immediately.

Bidder: RUDD EQUIPMENT COMPANY

Signed: 

Date: 8/5/17

Title: SALES REP

*Check any combination of preference consideration(s) indicated above, which you are entitled to receive.



Purchasing Division
 2019 Washington Street East
 Post Office Box 50130
 Charleston, WV 25305-0130

State of West Virginia
 Request for Quotation
 13 - Equipment

Proc Folder: 336215

Doc Description: HYDRAULIC COMPACT TRACK EXCAVATOR

Proc Type: Central Master Agreement

Date Issued	Solicitation Closes	Solicitation No	Version
2017-06-05	2017-06-28 13:30:00	CRFQ 0803 DOT1700000086	1

BID RECEIVING LOCATION

BID CLERK
 DEPARTMENT OF ADMINISTRATION
 PURCHASING DIVISION
 2019 WASHINGTON ST E
 CHARLESTON WV 25305
 US

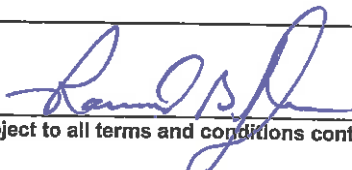
VENDOR

Vendor Name, Address and Telephone Number:

RUDD EQUIPMENT COMPANY, INC.
 PO BOX 610
 NITRO, WV 25143

FOR INFORMATION CONTACT THE BUYER

Mark A Atkins
 (304) 558-2307
 mark.a.atkins@wv.gov

Signature X 

FEIN # 61-0445955

DATE 8/15/17

All offers subject to all terms and conditions contained in this solicitation

ADDITIONAL INFORMATION:

The West Virginia Purchasing Division is soliciting bids on behalf of the West Virginia Division of Highways (WVDOH), the West Virginia Department of Transportation (WVDOT), to establish an open-end contract for Hydraulic Compact Track Excavators per the attached documents.

MANDATORY PRE-BID MEETING:

A Mandatory Pre-Bid Meeting will be held on:

DATE: June 15, 2017

TIME: 10:00am EST

LOCATION: WVDOH

Equipment Division
83 Brushy Fork Crossing
Buckhannon, WV 26201

INVOICE TO	SHIP TO
DIVISION OF HIGHWAYS EQUIPMENT DIVISION RT 33 83 BRUSHY ROAD CROSSING, PO BOX 610 BUCKHANNON WV26201 US	DIVISION OF HIGHWAYS EQUIPMENT DIVISION 83 BRUSHY FORK RD CROSSING BUCKHANNON WV 26201 US

Line	Comm Ln Desc	Qty	Unit Issue	Unit Price	Total Price
1	Pricing shall be completed on Exhibit A Pricing Page.	0.00000	EA		

Comm Code	Manufacturer	Specification	Model #
22101526			

Extended Description :

HYDRAULIC COMPACT EXCAVATOR:

Note: Vendor shall use Exhibit_A Pricing Page(s) for bid pricing. If bidding online vendor should enter \$0.00 in the Oasis commodity line.

Vendor must attach the Exhibit_A pricing page to their bid.

See Section 18 of Instructions to Bidders for additional information.

SCHEDULE OF EVENTS

Line	Event	Event Date
1	Mandatory Pre-Bid Meeting @ 10:00am EST	2017-06-15
2	Technical Questions due by:	2017-06-19

DOT1700000086	Document Phase Final	Document Description HYDRAULIC COMPACT TRACK EXCAVATOR	Page 3 of 3
----------------------	--------------------------------	---	------------------------------

ADDITIONAL TERMS AND CONDITIONS

See attached document(s) for additional Terms and Conditions

ADDENDUM ACKNOWLEDGEMENT FORM
SOLICITATION NO.: CRFO 0803 DOT1700000086

Instructions: Please acknowledge receipt of all addenda issued with this solicitation by completing this addendum acknowledgment form. Check the box next to each addendum received and sign below. Failure to acknowledge addenda may result in bid disqualification.

Acknowledgment: I hereby acknowledge receipt of the following addenda and have made the necessary revisions to my proposal, plans and/or specification, etc.

Addendum Numbers Received:

(Check the box next to each addendum received)

- | | |
|--|--|
| <input checked="" type="checkbox"/> Addendum No. 1 | <input type="checkbox"/> Addendum No. 6 |
| <input type="checkbox"/> Addendum No. 2 | <input type="checkbox"/> Addendum No. 7 |
| <input type="checkbox"/> Addendum No. 3 | <input type="checkbox"/> Addendum No. 8 |
| <input type="checkbox"/> Addendum No. 4 | <input type="checkbox"/> Addendum No. 9 |
| <input type="checkbox"/> Addendum No. 5 | <input type="checkbox"/> Addendum No. 10 |

I understand that failure to confirm the receipt of addenda may be cause for rejection of this bid. I further understand that that any verbal representation made or assumed to be made during any oral discussion held between Vendor's representatives and any state personnel is not binding. Only the information issued in writing and added to the specifications by an official addendum is binding.

RUDD EQUIPMENT COMPANY, INC.

Company



Authorized Signature

8/15/17

Date

NOTE: This addendum acknowledgment should be submitted with the bid to expedite document processing.

SOLICITATION NUMBER: CRFQ 0803 DOT1700000086
Addendum Number: 1

The purpose of this addendum is to modify the solicitation identified as CRFQ 0803 DOT1700000086 ("Solicitation") to reflect the change(s) identified and described below.

Applicable Addendum Category:

- Modify bid opening date and time
- Modify Technical Question submission date
- Modify Mandatory Pre-Bid Meeting date
- Attachment of pre-bid sign-in sheet
- Correction of error
- Other

Description of Modification to Solicitation:

- 1: Move Pre-Bid Meeting date from June 15, 2017 to July 21, 2017 at 10:00am EST.**
- 2: Move Technical Question submittal deadline from June 19, 2017 to July 26, 2017.**
- 3: Move Bid Opening date from June 28, 2017 to August 08, 2017 @ 1:30pm EST.**

NO OTHER CHANGES.

Additional Documentation: Documentation related to this Addendum (if any) has been included herewith as Attachment A and is specifically incorporated herein by reference.

Terms and Conditions:

1. All provisions of the Solicitation and other addenda not modified herein shall remain in full force and effect.
2. Vendor should acknowledge receipt of all addenda issued for this Solicitation by completing an Addendum Acknowledgment, a copy of which is included herewith. Failure to acknowledge addenda may result in bid disqualification. The addendum acknowledgement should be submitted with the bid to expedite document processing.



Purchasing Division
 2019 Washington Street East
 Post Office Box 50130
 Charleston, WV 25305-0130

State of West Virginia
 Request for Quotation
 13 - Equipment

Proc Folder: 336215

Doc Description: ADDENDUM_1: HYDRAULIC COMPACT TRACK EXCAVATOR

Proc Type: Central Master Agreement

Date Issued	Solicitation Closes	Solicitation No	Version
2017-06-12	2017-08-08 13:30:00	CRFQ 0803 DOT1700000086	2


BID RECEIVING LOCATION

BID CLERK
 DEPARTMENT OF ADMINISTRATION
 PURCHASING DIVISION
 2019 WASHINGTON ST E
 CHARLESTON WV 25305
 US

VENDOR

Vendor Name, Address and Telephone Number:
 RUDD EQUIPMENT COMPANY, INC.
 PO BOX 610
 NITRO, WV 25143

FOR INFORMATION CONTACT THE BUYER
 Mark A Atkins
 (304) 558-2307
 mark.a.atkins@wv.gov

Signature X  FEIN # 61-0445955 DATE 8/15/17

All offers subject to all terms and conditions contained in this solicitation

ADDITIONAL INFORMATION:

ADDENDUM 2: Is issued for the following:

1. To publish the Agency responses to the questions submitted by Vendors during the Technical Questioning period.
2. To publish the pre-bid sign-in sheets.

NO OTHER CHANGES.

The West Virginia Purchasing Division is soliciting bids on behalf of the West Virginia Division of Highways (WVDOH), the West Virginia Department of Transportation (WVDOT), to establish an open-end contract for Hydraulic Compact Track Excavators per the attached documents.

INVOICE TO	SHIP TO
DIVISION OF HIGHWAYS EQUIPMENT DIVISION RT 33 83 BRUSHY ROAD CROSSING, PO BOX 610 BUCKHANNON WV26201 US	DIVISION OF HIGHWAYS EQUIPMENT DIVISION 83 BRUSHY FORK RD CROSSING BUCKHANNON WV 26201 US

Line	Comm Ln Desc	Qty	Unit Issue	Unit Price	Total Price
1	Pricing shall be completed on Exhibit A Pricing Page.	0.00000	EA		

Comm Code	Manufacturer	Specification	Model #
22101526			

Extended Description :

HYDRAULIC COMPACT EXCAVATOR:

Note: Vendor shall use Exhibit_A Pricing Page(s) for bid pricing. If bidding online vendor should enter \$0.00 in the Oasis commodity line.

Vendor must attach the Exhibit_A pricing page to their bid.

See Section 18 of Instructions to Bidders for additional information.

SCHEDULE OF EVENTS

Line	Event	Event Date
1	Mandatory Pre-Bid Meeting @ 10:00am EST	2017-07-21
2	Technical Questions due by:	2017-07-26

DOT1700000086	Document Phase Final	Document Description ADDENDUM_1: HYDRAULIC COMPACT TRACK EXCAVATOR	Page 3 of 3
----------------------	--------------------------------	---	------------------------------

ADDITIONAL TERMS AND CONDITIONS

See attached document(s) for additional Terms and Conditions



Purchasing Division
 2019 Washington Street East
 Post Office Box 50130
 Charleston, WV 25305-0130

State of West Virginia
 Request for Quotation
 13 - Equipment

Proc Folder: 336215

Doc Description: ADDENDUM_2: HYDRAULIC COMPACT TRACK EXCAVATOR

Proc Type: Central Master Agreement

Date Issued	Solicitation Closes	Solicitation No	Version
2017-08-03	2017-08-08 13:30:00	CRFQ 0803 DOT1700000086	3

BID RECEIVING LOCATION

BID CLERK
 DEPARTMENT OF ADMINISTRATION
 PURCHASING DIVISION
 2019 WASHINGTON ST E
 CHARLESTON WV 25305
 US

VENDOR

Vendor Name, Address and Telephone Number:

RUDD EQUIPMENT COMPANY
 PO BOX 610
 NITRO, WV 25143

FOR INFORMATION CONTACT THE BUYER

Mark A Atkins
 (304) 558-2307
 mark.a.atkins@wv.gov

Signature X

FEIN #

61-0445951

DATE

8/15/17

All offers subject to all terms and conditions contained in this solicitation

ADDITIONAL INFORMATION:

ADDENDUM 1: Is issued for the following:

- 1: Move Pre-Bid Meeting date from June 15, 2017 to July 21, 2017 at 10:00am EST.
- 2: Move Technical Question submittal deadline from June 19, 2017 to July 26, 2017.
- 3: Move Bid Opening date from June 28, 2017 to August 08, 2017 @ 1:30pm EST.

NO OTHER CHANGES.

The West Virginia Purchasing Division is soliciting bids on behalf of the West Virginia Division of Highways (WVDOH), the West Virginia Department of Transportation (WVDOT), to establish an open-end contract for Hydraulic Compact Track Excavators per the attached documents.

MANDATORY PRE-BID MEETING:

A Mandatory Pre-Bid Meeting will be held on:

DATE: JULY 21, 2017

TIME: 10:00am EST

LOCATION: WVDOH

Equipment Division
83 Brushy Fork Crossing
Buckhannon, WV 26201

INVOICE TO	SHIP TO
DIVISION OF HIGHWAYS EQUIPMENT DIVISION RT 33 83 BRUSHY ROAD CROSSING, PO BOX 610 BUCKHANNON WV26201 US	DIVISION OF HIGHWAYS EQUIPMENT DIVISION 83 BRUSHY FORK RD CROSSING BUCKHANNON WV 26201 US

Line	Comm Ln Desc	Qty	Unit Issue	Unit Price	Total Price
1	Pricing shall be completed on Exhibit A Pricing Page.	0.00000	EA		

Comm Code	Manufacturer	Specification	Model #
22101526			

Extended Description :

HYDRAULIC COMPACT EXCAVATOR:

Note: Vendor shall use Exhibit_A Pricing Page(s) for bid pricing. If bidding online vendor should enter \$0.00 in the Oasis commodity line.

Vendor must attach the Exhibit_A pricing page to their bid.

See Section 18 of Instructions to Bidders for additional information.

SCHEDULE OF EVENTS

Line	Event	Event Date
1	Mandatory Pre-Bid Meeting @ 10:00am EST	2017-07-21
2	Technical Questions due by:	2017-07-26

DOT1700000086	Document Phase Final	Document Description ADDENDUM_2: HYDRAULIC COMPACT TRACK EXCAVATOR	Page 3 of 3
----------------------	--------------------------------	---	------------------------------

ADDITIONAL TERMS AND CONDITIONS

See attached document(s) for additional Terms and Conditions

SOLICITATION NUMBER: CRFQ 0803 DOT1700000086

Addendum Number: 2

The purpose of this addendum is to modify the solicitation identified as CRFQ 0803 DOT1700000086 ("Solicitation") to reflect the change(s) identified and described below.

Applicable Addendum Category:

- Modify bid opening date and time
- Modify specifications of product or service being sought
- Attachment of vendor questions and responses
- Attachment of pre-bid sign-in sheet
- Correction of error
- Other

Description of Modification to Solicitation:

1. To publish the Agency responses to the questions submitted by Vendors during the Technical Questioning period.
2. To publish the pre-bid sign-in sheets.

No other changes made.

Additional Documentation: Documentation related to this Addendum (if any) has been included herewith as Attachment A and is specifically incorporated herein by reference.

Terms and Conditions:

1. All provisions of the Solicitation and other addenda not modified herein shall remain in full force and effect.
2. Vendor should acknowledge receipt of all addenda issued for this Solicitation by completing an Addendum Acknowledgment, a copy of which is included herewith. Failure to acknowledge addenda may result in bid disqualification. The addendum acknowledgement should be submitted with the bid to expedite document processing.

Attachment_A

ADDENDUM_2

CRFQ 0803 DOT1700000086

HYDRAULIC COMPACT TRACK EXCAVATOR

The original language in contract will be listed first with question and answer to follow below.

1. 3.1.2.2 – C Electric fuel priming pump

Question: Bobcat uses a manual fuel priming pump on its line of mini excavators. Electric priming pump is not available. Would a manual priming pump be acceptable?

Answer: yes, will change to read: Electric fuel priming pump or Manual priming pump.

2. 3.1.5.1 – A Rubber tracks minimum of 16 inches wide.

Question: Bobcat track measurement is 15.7 inches. Is that acceptable?

Answer: yes, Rubber tracks minimum of 15.7 inches wide.

3. 3.1.5.1 – B Track guides to prevent track misalignment.

Question: Could you clarify what you are looking for here? Bobcat does not offer any additional guides for track alignment. The track system is designed to prevent misalignment without the need for external accessories.

Answer: Will change to read: Track roller guides to prevent track misalignment.

4. 3.1.5.1 - E Undercarriage with manufacturer's standard size hydraulic blade for model bid, with float.

Question: Our blade does not have a float, is this acceptable?

Answer: YES, Will change to read: Undercarriage with manufacturers standard size hydraulic blade for model bid with or without float.

5. 3.1.6.6 - D Shall have motion alarm with cancel switch

Question: The cat unit has a backup alarm, but it can't be cancelled during operation – could the cancel switch portion be removed?

Answer: yes, will change to read: Shall have travel/motion alarm.

6. 6.1.6.6 – H Rear secondary exit kit.

Question: Could you clarify what you are looking for here. Bobcat has access through left door, front window, and left window. Rear glass in Bobcat excavators is glued in.

Answer: will change to read: Excavator shall have more than one exit.

7. 6.1.6.6 – I Shall be wired for smart link capabilities.

Question # 1: Smart link is a proprietary system offered by John Deere. Bobcat does not offer this product at the moment. There may be some aftermarket GPS location products available but they would be limited in what information they would transmit.

Question # 2: Please explain Smart Link and what you want it to be able to provide?

Answer: Will change to read: Shall be wire ready for manufacturers Telematics if available by manufacturer bid. (were not asking for telemetric system, just factory wired ready for it thru manufacturer if manufactures model bid offers it)

8. 3.1.7.1 Unit bid shall have minimum digging depth of 12 foot and a minimum digging reach of 20 foot.

Question # 1: The Cat unit has a digging reach of 19.58 feet – could this be lowered?

Question # 2: Our digging depth is 11'7", and our minimum digging reach is 19'7", are these ok?

Question # 3: We have a digging reach of 19'11.4", is that acceptable?

Answer: Will change to read: Unit shall have Long arm with maximum dig depth and maximum reach for model bid.

9. This will be a combined question, Sections involved are:

3.1.4.8 Unit shall have auxiliary hydraulic lines with quick couplers and a 3-way hydraulic valve to switch from swivel head to thumb.

3.1.9 Tilting Coupler/Swivel

Question: The way I interpret it, DOH is wanting the 3-way hydraulic valve to switch from swivel head to thumb so that the thumb doesn't have to be removed when operating the tilt function on the coupler. Cat offers a tilting coupler but it is not compatible with the thumb because of the way the thumb mounts – there are clearance issues that will inhibit the function of the tilt coupler. I am not sure if the other tilt coupler manufacturers (like HELAC) have the same issue. If the DOH is willing to relax the spec to allow removing the thumb when using the tilt coupler, they wouldn't need the 3-way valve.

Answer: Will change to read: Unit shall have auxiliary hydraulic lines with quick couplers and a 3-way hydraulic valve to switch from swivel head to thumb if needed.

Answer: No, we want to be able use swivel with thumb installed.

10. 3.1.9.4 Shall include integral quick coupler.

Question: There was some discussion about this in the meeting and I'm not completely sure what the discussion was with the other dealers. Bobcats hydra tilt swings 180 degrees. 90 left and 90 right. The hydra tilt itself has a integral quick disconnect that connects the hydra tilt to the excavator. The grading bucket that attaches to the hydra tilt has a 2 bolt disconnect that attaches the bucket to the hydra tilt. Is this what you are looking for here. I think this is fairly common throughout manufacturers.

Answer: yes, will accept.

11.. 6.1 Delivery Time: Vendor shall deliver standard orders within 120 working days after orders are received. Vendor shall ship all orders in accordance with the above schedule and shall not hold orders until a minimum delivery quantity is met. A completed pilot model for inspection must be provided within 90 working day(s) after receipt of the purchase agreement by the successful vendor. Working day is defined as any week day, Monday thru Friday, excluding Federal and State Holidays.

Question # 1: We would like to move to have pilot model due in 120 days and the standard orders due in 150 days.

Question # 2: Can the delivery time for the pilot model be extended to 120 working days?

Question # 3: Can the delivery time for standard orders be extended to 150 working days?

Answer: Yes, We will change this to read: pilot model 120 days standard orders 150 days

6.1 Delivery Time: Vendor shall deliver standard orders within **150** working days after orders are received. Vendor shall ship all orders in accordance with the above schedule and shall not hold orders until a minimum delivery quantity is met. A completed pilot model for inspection must be provided within **120** working day(s) after receipt of the purchase agreement by the successful vendor. Working day is defined as any week day, Monday thru Friday, excluding Federal and State Holidays.

**PRE-BID CONFERENCE
SIGN IN SHEET**

Request for Quotation Number: CRFQ 0803 DOT 1700000086 Date: 7/21/17

Project Description: Hydraulic Compact Track Excavator

PLEASE PRINT LEGIBLY. THIS INFORMATION IS ESSENTIAL TO CONTACT THE ATTENDEES IN A TIMELY MANNER. FAILURE TO DO SO MAY RESULT IN DELAYS IN YOUR COMPANY GETTING IMPORTANT BID INFORMATION.

Firm Name:	Robert of Advantage Valley
Firm Address:	614 New Golf Mt Road Cross Lanes WV 25313
Representative Attending:	Steve Lewis
Phone Number:	304 776 9100
Fax Number:	304 776-0255
Email Address:	Steve.Lewis@jeffco.com

Firm Name:	WEST VIRGINIA TRACTORS
Firm Address:	P.O. Box 473 CHARLESTON WV 25322
Representative Attending:	DAVE GRAY
Phone Number:	304-346-5301
Fax Number:	304-346-5305
Email Address:	DAVE@WVTRACTORS.COM

Firm Name:	Leslie Equipment Co
Firm Address:	19 Gruff Crossing Dr Cross Lanes WV 25313
Representative Attending:	Eric Kusko
Phone Number:	304 204 1818
Fax Number:	304 204 1811
Email Address:	Bookseries@leec.com

Firm Name:	Rudd Equipment Co.
Firm Address:	500 Ribby Road Nitro, WV 25840
Representative Attending:	Steve Neff
Phone Number:	304-541-3390
Fax Number:	304-755-7990
Email Address:	Sneff@RuddEquipment.com

Firm Name:	Walker Machinery
Firm Address:	P.O. Box 2427 Charleston, WV 25329
Representative Attending:	Matt Conner
Phone Number:	(304) 543-5406
Fax Number:	(304) 759-6404
Email Address:	mconner@walker-cs.com

Firm Name:	
Firm Address:	
Representative Attending:	
Phone Number:	
Fax Number:	
Email Address:	

PRE-BID CONFERENCE
SIGN IN SHEET

Request for Quotation Number: CRFQ 0803 DOT 1700000086 Date: 7/21/17

Project Description: Hydraulic Compact Track Excavator

PLEASE PRINT LEGIBLY. THIS INFORMATION IS ESSENTIAL TO CONTACT THE ATTENDEES IN A TIMELY MANNER. FAILURE TO DO SO MAY RESULT IN DELAYS IN YOUR COMPANY GETTING IMPORTANT BID INFORMATION.

Firm Name:	BRIDGEPORT EQUIPMENT & TOOL
Firm Address:	435 W. MYLES AVE PENNSBORO, NJ 26415
Representative Attending:	RON GARDNER
Phone Number:	304-659-2917
Fax Number:	304-659-3276
Email Address:	R.GARDNER@BRIDGEPORTEQUIP.COM

Firm Name:	
Firm Address:	
Representative Attending:	
Phone Number:	
Fax Number:	
Email Address:	

Firm Name:	Bridgeport Equipment and Tool
Firm Address:	15 Acme Street Marietta, OH 45750
Representative Attending:	Chas Walker
Phone Number:	740-373-6686
Fax Number:	740-373-3895
Email Address:	Cwalker@bridgeportequip.com

Firm Name:	
Firm Address:	
Representative Attending:	
Phone Number:	
Fax Number:	
Email Address:	

Firm Name:	Bridgeport Equipment & Tool
Firm Address:	6777 Morris Creek Rd Huntsman WV 25702
Representative Attending:	Franklin Neville
Phone Number:	304-736-2120
Fax Number:	304-736-2120
Email Address:	fnville@bridgeportequip.com

Firm Name:	
Firm Address:	
Representative Attending:	
Phone Number:	
Fax Number:	
Email Address:	

PRE-BID CONFERENCE
SIGN IN SHEET

Request for Quotation Number: CRFQ 0803 DOT 1700000086 Date: 7/21/17

Project Description: Hydraulic Compact Track Excavator

PLEASE PRINT LEGIBLY. THIS INFORMATION IS ESSENTIAL TO CONTACT THE ATTENDEES IN A TIMELY MANNER. FAILURE TO DO SO MAY RESULT IN DELAYS IN YOUR COMPANY GETTING IMPORTANT BID INFORMATION.

Firm Name:	Anderson Equipment Co.
Firm Address:	2007 Ruskin Blvd 1 Andy's Way S. Charleston W.V.
Representative Attending:	Bert R. Smith
Phone Number:	304-614-5811
Fax Number:	
Email Address:	bsmith@andersonequip.com

Firm Name:	
Firm Address:	
Representative Attending:	
Phone Number:	
Fax Number:	
Email Address:	

Firm Name:	State Equipment, Inc.
Firm Address:	560 New Goff Mt. Rd. Cross Lanes, W.V.
Representative Attending:	Tom Conner
Phone Number:	304 776 4405
Fax Number:	304 776 4409
Email Address:	eddie@stateequipment.com

Firm Name:	
Firm Address:	
Representative Attending:	
Phone Number:	
Fax Number:	
Email Address:	

Firm Name:	
Firm Address:	
Representative Attending:	
Phone Number:	
Fax Number:	
Email Address:	

Firm Name:	
Firm Address:	
Representative Attending:	
Phone Number:	
Fax Number:	
Email Address:	

PRE-BID CONFERENCE
SIGN IN SHEET

Request for Quotation Number: CRFQ 0803 DOT 1700000086 Date: 7/21/17

Project Description: Hydraulic Compact Track Excavator

PLEASE PRINT LEGIBLY. THIS INFORMATION IS ESSENTIAL TO CONTACT THE ATTENDEES IN A TIMELY MANNER. FAILURE TO DO SO
MAY RESULT IN DELAYS IN YOUR COMPANY GETTING IMPORTANT BID INFORMATION.

Firm Name:	
Firm Address:	<u>Pam Hall</u>
	<u>WV DOH</u>
Representative Attending:	
Phone Number:	
Fax Number:	
Email Address:	

Firm Name:	<u>Tom Campbell</u>
Firm Address:	<u>WV DOH</u>
Representative Attending:	
Phone Number:	
Fax Number:	
Email Address:	

Firm Name:	
Firm Address:	<u>Angie Madernan</u>
	<u>DOH</u>
Representative Attending:	
Phone Number:	
Fax Number:	
Email Address:	

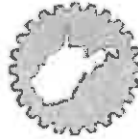
Firm Name:	
Firm Address:	<u>MARCIA Lee</u>
	<u>DOH</u>
Representative Attending:	
Phone Number:	
Fax Number:	
Email Address:	

Firm Name:	
Firm Address:	<u>Shirley Smith</u>
	<u>WV DOH</u>
Representative Attending:	
Phone Number:	
Fax Number:	
Email Address:	

Firm Name:	
Firm Address:	
Representative Attending:	
Phone Number:	
Fax Number:	
Email Address:	

OFFICE (304) 346-5301
(800) 640-8245

STEVE NEFF
PRODUCT SUPPORT REPRESENTATIVE



**WEST VIRGINIA
TRACTOR COMPANY**
CONSTRUCTION, MINING, MUNICIPAL & INDUSTRIAL EQUIPMENT

www.wvtractor.com

GARY W. GRADY
PRESIDENT
Ph: (304) 246-9372
Cell: (304) 549-5086

P. O. BOX 473,
214 VIRGINIA ST. W.
CHAS., WV 25322/25302

wvtractor@wind.com



(304) 755-7788 Office
(304) 541-3390 Cell
sneff@ruddequipment.com



Ph: 740-373-6686
Fax: 740-373-3895
Cell: 740-336-9295

15 Acme Street
Marietta, OH 45750

BRANDON NEVILLE
Sales Manager

bneville@bridgeportequip.com

www.bridgeportequip.com



Now in 7 Locations in West
Virginia, Ohio, and Kentucky!



"Run with the Best"

Eric Brookes

Sales Representative

19 Goff Crossing Drive
Cross Lanes, WV 25313
brookeseric@lecl.com
www.lecl.com



JOHN DEERE

Office: 304-204-1818
Fax: 304-204-1811
Cell: 304-542-0433



Ph: 304-659-2917
Fax: 304-659-3276
Cell: 304-997-6354

435 W. Myles Avenue
Pensboro, WV 26415

RON GARDNER
Sales

rgardner@bridgeportequip.com

www.bridgeportequip.com



Now in 9 Locations in West
Virginia, Ohio, and Kentucky!



Toronto Store 740-537-5300
Bridgeport Store 740-635-1129
New Martinsville 304-455-6686

CHRIS WALTER
General Manager

Ph: 304-455-6686
Fax: 304-455-6685
1200 S. Bridge Street
New Martinsville, WV 26155
Toll Free: 1-866-95-DEERE

Ph: 740-373-6686
Fax: 740-373-3895
15 Acme Street
Marietta, OH 45750

cwalter@bridgeportequipmentandtool.com

STATE EQUIPMENT, INC.



TOM CONNER
MANAGER

CELL: 304-669-0442
OFFICE: 304-592-0491
HOME: 304-903-9075
FAX: 304-592-0499
E-MAIL: TCONNER@STATEEQUIPMENT.COM
WWW.STATEEQUIPMENT.COM

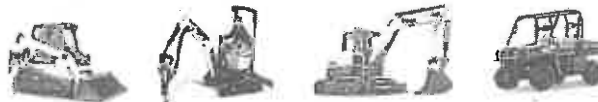
RR2 Box 649F
SHIRINGTON, WV 26431



Bobcat of Advantage Valley

614 New Goff Mt. Road • Cross Lanes, WV 25313
(304) 776-9100 • Fax (304) 776-0285
1 866-4BOBCAT • Cell (304) 561-8280
Email: stevelewis@jeffers.com
Web: www.Bobcatwv.com

Steve Lewis
Bobcat Specialist



Anderson
EQUIPMENT COMPANY
Your COMPLETE Equipment Solution

Bert Smith
Sales Representative

West Virginia
Selection of the Year 2015

Fairmont Branch
2607 Ruskin Lane
Pleasant Valley, WV 26554
Phone: 304-366-3075
Fax: 304-366-7214
Mobile: 304-814-9811

www.andersonequip.com

Walker



Matt Conner
Sales Representative

Cecil I. Walker Machinery Co.

P.O. Box 2427
Charleston, WV 25329-2427
304.949.6400
304.759.6404 fax
304.543.5406 cell
mconner@walker-cat.com
walker-cat.com

ADDENDUM ACKNOWLEDGEMENT FORM
SOLICITATION NO.: CRFQ 0803 DOT170000086

Instructions: Please acknowledge receipt of all addenda issued with this solicitation by completing this addendum acknowledgment form. Check the box next to each addendum received and sign below. Failure to acknowledge addenda may result in bid disqualification.

Acknowledgment: I hereby acknowledge receipt of the following addenda and have made the necessary revisions to my proposal, plans and/or specification, etc.

Addendum Numbers Received:

(Check the box next to each addendum received)

- | | |
|--|--|
| <input checked="" type="checkbox"/> Addendum No. 1 | <input type="checkbox"/> Addendum No. 6 |
| <input checked="" type="checkbox"/> Addendum No. 2 | <input type="checkbox"/> Addendum No. 7 |
| <input type="checkbox"/> Addendum No. 3 | <input type="checkbox"/> Addendum No. 8 |
| <input type="checkbox"/> Addendum No. 4 | <input type="checkbox"/> Addendum No. 9 |
| <input type="checkbox"/> Addendum No. 5 | <input type="checkbox"/> Addendum No. 10 |

I understand that failure to confirm the receipt of addenda may be cause for rejection of this bid. I further understand that that any verbal representation made or assumed to be made during any oral discussion held between Vendor's representatives and any state personnel is not binding. Only the information issued in writing and added to the specifications by an official addendum is binding.

RUDD EQUIPMENT COMPANY

Company



Authorized Signature

8/15/12

Date

NOTE: This addendum acknowledgement should be submitted with the bid to expedite document processing.



Purchasing Division
 2019 Washington Street East
 Post Office Box 50130
 Charleston, WV 25305-0130

State of West Virginia
 Request for Quotation
 13 – Equipment

Proc Folder: 336215

Doc Description: ADDENDUM_3: HYDRAULIC COMPACT TRACK EXCAVATOR

Proc Type: Central Master Agreement

Date Issued	Solicitation Closes	Solicitation No	Version
2017-08-04	2017-08-16 13:30:00	CRFQ 0803 DOT1700000086	4

BID RECEIVING LOCATION

BID CLERK
 DEPARTMENT OF ADMINISTRATION
 PURCHASING DIVISION
 2019 WASHINGTON ST E
 CHARLESTON WV 25305
 US

VENDOR

Vendor Name, Address and Telephone Number:

RUDD EQUIPMENT COMPANY
 PO BOX 610
 NITRO, WV 25143

FOR INFORMATION CONTACT THE BUYER

Mark A Atkins
 (304) 558-2307
 mark.a.atkins@wv.gov

Signature X

FEIN #

61-0445955

DATE

8/15/17

All offers subject to all terms and conditions contained in this solicitation

ADDITIONAL INFORMATION:

ADDENDUM 3: Is issued for the following:

1. Move Bid Opening date from August 08, 2017 to August 16, 2017 @ 1:30pm EST.

NO OTHER CHANGES.

The West Virginia Purchasing Division is soliciting bids on behalf of the West Virginia Division of Highways (WVDOH), the West Virginia Department of Transportation (WVDOT), to establish an open-end contract for Hydraulic Compact Track Excavators per the attached documents.

INVOICE TO	SHIP TO
DIVISION OF HIGHWAYS EQUIPMENT DIVISION RT 33 83 BRUSHY ROAD CROSSING, PO BOX 610 BUCKHANNON WV26201 US	DIVISION OF HIGHWAYS EQUIPMENT DIVISION 83 BRUSHY FORK RD CROSSING BUCKHANNON WV 26201 US

Line	Comm Ln Desc	Qty	Unit Issue	Unit Price	Total Price
1	Pricing shall be completed on Exhibit A Pricing Page.	0.00000	EA		

Comm Code	Manufacturer	Specification	Model #
22101526			

Extended Description :

HYDRAULIC COMPACT EXCAVATOR:

Note: Vendor shall use Exhibit_A Pricing Page(s) for bid pricing. If bidding online vendor should enter \$0.00 in the Oasis commodity line.

Vendor must attach the Exhibit_A pricing page to their bid.

See Section 18 of Instructions to Bidders for additional information.

SCHEDULE OF EVENTS

Line	Event	Event Date
1	Mandatory Pre-Bid Meeting @ 10:00am EST	2017-07-21
2	Technical Questions due by:	2017-07-26

DOT1700000086	Document Phase Final	Document Description ADDENDUM_3: HYDRAULIC COMPACT TRACK EXCAVATOR	Page 3 of 3
----------------------	--------------------------------	---	------------------------------

ADDITIONAL TERMS AND CONDITIONS

See attached document(s) for additional Terms and Conditions

SOLICITATION NUMBER: CRFQ 0803 DOT1700000086

Addendum Number: 3

The purpose of this addendum is to modify the solicitation identified as CRFQ 0803 DOT1700000086 ("Solicitation") to reflect the change(s) identified and described below.

Applicable Addendum Category:

- Modify bid opening date and time
- Modify Technical Question submission date
- Modify Mandatory Pre-Bid Meeting date
- Attachment of pre-bid sign-in sheet
- Correction of error
- Other

Description of Modification to Solicitation:

1: Move Bid Opening date from August 08, 2017 to August 16, 2017 @ 1:30pm EST.

NO OTHER CHANGES.

Additional Documentation: Documentation related to this Addendum (if any) has been included herewith as Attachment A and is specifically incorporated herein by reference.

Terms and Conditions:

1. All provisions of the Solicitation and other addenda not modified herein shall remain in full force and effect.
2. Vendor should acknowledge receipt of all addenda issued for this Solicitation by completing an Addendum Acknowledgment, a copy of which is included herewith. Failure to acknowledge addenda may result in bid disqualification. The addendum acknowledgement should be submitted with the bid to expedite document processing.

ADDENDUM ACKNOWLEDGEMENT FORM
SOLICITATION NO.: CRFQ 0803 DOT170000086

Instructions: Please acknowledge receipt of all addenda issued with this solicitation by completing this addendum acknowledgment form. Check the box next to each addendum received and sign below. Failure to acknowledge addenda may result in bid disqualification.

Acknowledgment: I hereby acknowledge receipt of the following addenda and have made the necessary revisions to my proposal, plans and/or specification, etc.

Addendum Numbers Received:

(Check the box next to each addendum received)

- | | |
|--|--|
| <input checked="" type="checkbox"/> Addendum No. 1 | <input type="checkbox"/> Addendum No. 6 |
| <input checked="" type="checkbox"/> Addendum No. 2 | <input type="checkbox"/> Addendum No. 7 |
| <input checked="" type="checkbox"/> Addendum No. 3 | <input type="checkbox"/> Addendum No. 8 |
| <input type="checkbox"/> Addendum No. 4 | <input type="checkbox"/> Addendum No. 9 |
| <input type="checkbox"/> Addendum No. 5 | <input type="checkbox"/> Addendum No. 10 |

I understand that failure to confirm the receipt of addenda may be cause for rejection of this bid. I further understand that that any verbal representation made or assumed to be made during any oral discussion held between Vendor's representatives and any state personnel is not binding. Only the information issued in writing and added to the specifications by an official addendum is binding.

RUDD EQUIPMENT COMPANY

Company



Authorized Signature

8/15/17

Date

NOTE: This addendum acknowledgement should be submitted with the bid to expedite document processing.



Purchasing Division
 2019 Washington Street East
 Post Office Box 50130
 Charleston, WV 25305-0130

State of West Virginia
 Request for Quotation
 13 -- Equipment

Proc Folder: 336215

Doc Description: ADDENDUM_4: HYDRAULIC COMPACT TRACK EXCAVATOR

Proc Type: Central Master Agreement

Date Issued	Solicitation Closes	Solicitation No	Version
2017-08-11	2017-08-16 13:30:00	CRFQ 0803 DOT1700000086	5

BID RECEIVING LOCATION

BID CLERK
 DEPARTMENT OF ADMINISTRATION
 PURCHASING DIVISION
 2019 WASHINGTON ST E
 CHARLESTON WV 25305
 US

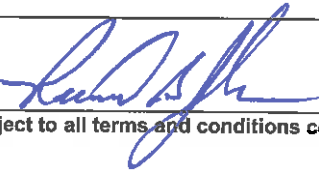
VENDOR

Vendor Name, Address and Telephone Number:

RUDD EQUIPMENT COMPANY
 PO BOX 610
 NITRO, WV 25143

FOR INFORMATION CONTACT THE BUYER

Mark A Atkins
 (304) 558-2307
 mark.a.atkins@wv.gov

Signature X 

FEIN # 61-0445955

DATE 8/15/17

All offers subject to all terms and conditions contained in this solicitation

ADDITIONAL INFORMATION:

ADDENDUM 4: Is issued for the following:

1: To publish additional clarification to the agency response to technical questions posed by vendors concerning specification requirements for Specification 3.1.9.4. during the Technical Questioning Period and to attach Exhibit C for reference.

NO OTHER CHANGES.

The West Virginia Purchasing Division is soliciting bids on behalf of the West Virginia Division of Highways (WVDOH), the West Virginia Department of Transportation (WVDOT), to establish an open-end contract for Hydraulic Compact Track Excavators per the attached documents.

INVOICE TO	SHIP TO
DIVISION OF HIGHWAYS EQUIPMENT DIVISION RT 33 83 BRUSHY ROAD CROSSING, PO BOX 610 BUCKHANNON WV26201 US	DIVISION OF HIGHWAYS EQUIPMENT DIVISION 83 BRUSHY FORK RD CROSSING BUCKHANNON WV 26201 US

Line	Comm Ln Desc	Qty	Unit Issue	Unit Price	Total Price
1	Pricing shall be completed on Exhibit A Pricing Page.	0.00000	EA		

Comm Code	Manufacturer	Specification	Model #
22101526			

Extended Description :

HYDRAULIC COMPACT EXCAVATOR:

Note: Vendor shall use Exhibit_A Pricing Page(s) for bid pricing. If bidding online vendor should enter \$0.00 in the Oasis commodity line.

Vendor must attach the Exhibit_A pricing page to their bid.

See Section 18 of Instructions to Bidders for additional information.

SCHEDULE OF EVENTS

Line	Event	Event Date
1	Mandatory Pre-Bid Meeting @ 10:00am EST	2017-07-21
2	Technical Questions due by:	2017-07-26

DOT1700000086	Document Phase Final	Document Description ADDENDUM_4: HYDRAULIC COMPACT TRACK EXCAVATOR	Page 3 of 3
---------------	--------------------------------	---	------------------------------

ADDITIONAL TERMS AND CONDITIONS

See attached document(s) for additional Terms and Conditions

SOLICITATION NUMBER: CRFQ 0803 DOT1700000086

Addendum Number: 4

The purpose of this addendum is to modify the solicitation identified as CRFQ 0803 DOT1700000086 ("Solicitation") to reflect the change(s) identified and described below.

Applicable Addendum Category:

- Modify bid opening date and time
- Modify Technical Question submission date
- Modify Mandatory Pre-Bid Meeting date
- Attachment of pre-bid sign-in sheet
- Publish Exhibit_C for reference.
- Clarification to the agency response to technical questions concerning Specification 3.1.9.4.

Description of Modification to Solicitation:

1: To publish additional clarification to the agency response to technical questions posed by vendors concerning specification requirements for Specification 3.1.9.4. and attach Exhibit C for reference.

NO OTHER CHANGES.

Additional Documentation: Documentation related to this Addendum (if any) has been included herewith as Attachment A and is specifically incorporated herein by reference.

Terms and Conditions:

1. All provisions of the Solicitation and other addenda not modified herein shall remain in full force and effect.
2. Vendor should acknowledge receipt of all addenda issued for this Solicitation by completing an Addendum Acknowledgment, a copy of which is included herewith. Failure to acknowledge addenda may result in bid disqualification. The addendum acknowledgement should be submitted with the bid to expedite document processing.

Attachment_A

Addendum_4



CRFQ 0803 DOT1700000086

HYDRAULIC COMPACT TRACK EXCAVATOR

The original language in contract will be listed first with question and answer to follow below.

1. 3.1.9.4 Shall include integral quick coupler.

Question # 1: I see that # 10 on the addendum is addressing 3.1.9.4. It states that Bobcat is allowed to use its quick disconnect system. We discussed at the pre bid about this being a Pin Grabber Coupler, to me this is contradicting what we talked about at the pre bid. Any chance we could get clarification on this? Huge price difference between pin grabber style, and the quick disconnect style.

Question # 2: In the prebid meeting, the question was asked, relating to Item 3.1.9.4, if the agency was wanting a hydraulic pin grabber style coupler. They answered yes, that is what they were looking for. On addendum # 2, question 10 was raised by Bobcat asking if their coupler with a 2 bolt disconnect would be acceptable and it was answered that it would – that is a manual style coupler and not a hydraulic pin grabber. There is a significant cost difference between the manual style and the hydraulic pin grabber style. Can you please provide clarification so we are sure we are providing the correct coupler?

Answer: Will Change the following to read: 3.1.9.4 Shall have standard pin on half- hitch coupler or Equal.

3.1.10.1 Unit shall include a 40-inch minimum smooth ditching bucket with pins.

3.1.10.2 Unit shall include a 24-inch digging bucket with pins and replaceable teeth.

3.1.9.3 Shall allow use of OEM bucket (Will be Removed)

3.1.10.3 Both Buckets ditching and digging shall work with half- hitch coupler.

2. The WVDOH will also be adding an Exhibit C to this contract. Please see attached Exhibit C.

EXHIBIT C

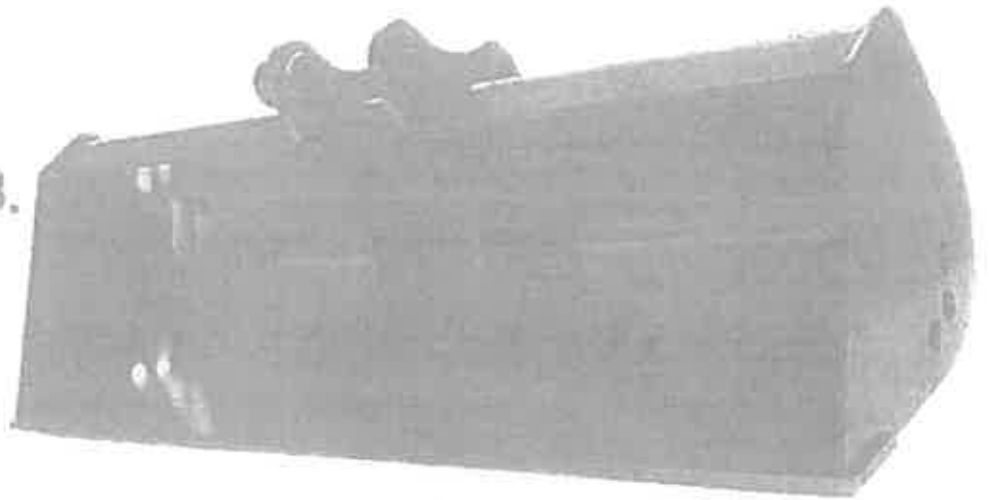
- A. Standard Half-Hitch Pin on Swivel Coupler
- B. 40-inch Smooth Ditching Bucket
- C. 24-inch Digging Bucket w/replaceable teeth

A.



Standard pin-on

B.



C.



ADDENDUM ACKNOWLEDGEMENT FORM
SOLICITATION NO.: CRFQ 0803 DOT1700000086

Instructions: Please acknowledge receipt of all addenda issued with this solicitation by completing this addendum acknowledgment form. Check the box next to each addendum received and sign below. Failure to acknowledge addenda may result in bid disqualification.

Acknowledgment: I hereby acknowledge receipt of the following addenda and have made the necessary revisions to my proposal, plans and/or specification, etc.

Addendum Numbers Received:

(Check the box next to each addendum received)

- | | |
|--|--|
| <input checked="" type="checkbox"/> Addendum No. 1 | <input type="checkbox"/> Addendum No. 6 |
| <input checked="" type="checkbox"/> Addendum No. 2 | <input type="checkbox"/> Addendum No. 7 |
| <input checked="" type="checkbox"/> Addendum No. 3 | <input type="checkbox"/> Addendum No. 8 |
| <input checked="" type="checkbox"/> Addendum No. 4 | <input type="checkbox"/> Addendum No. 9 |
| <input type="checkbox"/> Addendum No. 5 | <input type="checkbox"/> Addendum No. 10 |

I understand that failure to confirm the receipt of addenda may be cause for rejection of this bid. I further understand that that any verbal representation made or assumed to be made during any oral discussion held between Vendor's representatives and any state personnel is not binding. Only the information issued in writing and added to the specifications by an official addendum is binding.

RUDD EQUIPMENT COMPANY

Company



Authorized Signature

8/15/17

Date

NOTE: This addendum acknowledgement should be submitted with the bid to expedite document processing.



Volvo Construction Equipment

EC60E

Volvo Excavators 5.76-7.0 t / 12,700-15,440 lb 59 hp



A passion for performance

At Volvo Construction Equipment, we're not just coming along for the ride. Developing products and services that raise productivity – we are confident we can lower costs and increase profits for customers around the globe. Part of the Volvo Group, we are passionate about innovative solutions to help you work smarter – not harder.

Helping you to do more

Doing more with less is a trademark of Volvo Construction Equipment. High productivity has long been married to low energy consumption, ease of use and durability. When it comes to lowering life-cycle costs, Volvo is in a class of its own.

Designed to fit your needs

There is a lot riding on creating solutions that are suited to the particular needs of different industry applications. Innovation often involves high technology – but it doesn't always have to. Some of our best ideas have been simple, based on a clear and deep understanding of our customers' working lives.



You learn a lot in 180 years

Over the years, Volvo has advanced solutions that have revolutionized the use of construction equipment. No other name speaks Safety louder than Volvo. Protecting operators, those around them and minimizing our environmental impact are traditional values that continue to shape our product design philosophy.

We're on your side

We back the Volvo brand with the best people. Volvo is truly a global enterprise, one that is on standby to support customers quickly and efficiently – wherever they are.

We have a passion for performance.

A strong, dedicated, capable dealer network

Our dealers are strategically located throughout North America to provide the equipment you need and the parts and service support you demand for a productive and profitable operation.

The strength of our dealer network is enhanced with extensive individualized product support training at our best-in-class Customer Center in Shippensburg and through hands-on training. Using a great Product Demonstration Center featuring a dedicated area for most common applications, visitors operate equipment from our entire product line under a variety of simulated working conditions. This facility is in year-round use by our dealers and customers.

Building the best starts right here.

The products designed and manufactured by Volvo Construction Equipment have their beginnings at the most advanced Research & Design centers in the industry. Volvo CE machines are designed in 11 R&D centers and produced in 15 manufacturing facilities across the world.

The major R&D center and manufacturing plant in the Americas is located in Shippensburg, Pennsylvania. This facility has been in operation for over 30 years and – with its recently added 200,000 sq. ft. expansion – now covers 570,000 sq. ft. on an 80 acre campus. Dedicated work teams and highly advanced technologies and techniques using the Volvo Production System ensure continuous quality improvements, labor savings and cost control to reach the high quality that our customers have come to expect from Volvo.





Volvo Trucks



Renault Trucks



Mack Trucks



UD Trucks



Volvo Buses



Volvo Construction Equipment



Volvo Penta



Volvo Financial Services

More space, more comfort, more work

The new and improved EC60E features a larger cab design for a comfortable and more productive operator environment. Improved ergonomics and a modern LCD display give you perfect control in all operations. Plenty of storage has been added for personal belongings.

Operator convenience

Increased storage space is available for operator comfort and convenience. A phone tray, two power sockets, cup holder and three other large storage areas makes the Volvo cab a more convenient working environment.



Operator visibility

All-round visibility is improved by thinner pillars, larger glazed area and enlarged wiper blade. The rear view camera secures a better view for perfect and safe control through the 7" color LCD display. This ensures there are no blind spots even in the most confined working areas.



Work in comfort

The comfortable and adjustable seat makes it easier for the operator to work hard all day and feel less tired by the end of it. The cab's air conditioning is 10% more efficient and in automatic mode, the temperature remains at a set level. Six adjustable vents allow for optimal airflow in the cab.



Ease of control

Control your machine with minimal effort in order to get more done in less time. The keypad groups all controls on the right hand side and the 7" color LCD screen displays all machine information for access to functions through its easy to use menus. Through the hot keys, the operator can directly access pre-set functions for added convenience. The new and improved proportional joysticks provide better grip, fits your thumb perfectly and increases ease of control.





LARGER CAB



10% more space results in comfortable and relaxed operation, increasing production and reducing fatigue. The new cab design creates more space behind the seat, allowing more usable space for the operator. The new generation Volvo Cab features more in cab room, increased glazed area and reduced noise levels.



BOOSTED PERFORMANCE



Do more in less time with increased combined digging efforts, a 10% improvement in traction, swing force and lifting capacity. The EC60E has been designed to tackle the most challenging job sites and contracts enhanced by the powerful Stage IIIB / Tier 4 final engine and adjustable hydraulic flow.

Power for performance

Climb quicker, swing smoother, dig harder and load faster with the EC60E. Improved traction, swing force and lifting capacity gets you results, fast. This versatile and powerful machine can be tailored for any job and is suitable for a wide range of applications.

Powerful Volvo Stage IIIB / Tier 4 final engine

Give your job site a boost and achieve fast results. Increased power to 57 hp and improved cooling ensure optimized performance in any climate. For the ultimate combination of power and performance, the engine helps to push through challenging conditions.



Smooth operation

For increased controllability, productivity and a comfortable operating experience you can dig, swing, load and lift for smooth combined operation. With responsive controls the machine does exactly what the operator intends for less fatigue and fluent movement.



Versatility

Perform on any job site, whether you're working in a confined space or major construction area. The machine's compact design, optional long arm, offset boom, dozer blade, auxiliary hydraulic and thumb pipings makes the machine suitable for a wide range of jobs and applications.



Operator performance

The operator can set the machine to their own style and to suit the job at hand for easier control and increased performance. The auxiliary hydraulic flows, electric dozer blade and boom offset speed can be adjusted by the operator, additionally the operator has three different work response modes –'Active', 'Normal' or 'Soft'.



Profit in your business

The EC60E is designed and built to increase your profitability and keep you working for longer. To reduce your running costs it features excellent service access, convenient maintenance points and Volvo's auto engine shutdown feature. With better fuel efficiency than the previous machine series, this durable and reliable machine secures your costs and increases your uptime.

Low fuel consumption

The new Volvo engine and improved hydraulics together offer superior fuel efficiency. The standard auto idle feature helps to reduce your fuel consumption even further and increase your profits.



Auto engine shutdown

A unique offering from Volvo, the engine stops automatically after a preselected idle time, lowering fuel costs and noise. A stopped hour meter reduces maintenance costs and increases the resale value of the machine.



MATRIS and VCADS Pro

By working with your dealer and using Volvo MATRIS software you can analyze operator behavior to improve efficiency, boost productivity and reduce your fuel and maintenance costs. Volvo also offers the VCADS Pro diagnostic system, lowering trouble shooting time, getting the machine back up running, making money.



Durability and reliability

The EC60E is designed with the same high quality as all Volvo machines so you can be assured it's durable and reliable on your job site. You can depend on your machine to perform and work hard for peace of mind.





SERVICEABILITY



Keep your machine up and running with a number of features combined to increase machine availability and reduce downtime. Ground level service access, including new main control valve location, convenient greasing points and an easy to clean cooling unit all reduce service time and maintenance costs. Check service intervals easily through the in-cab screen, which shows reminders when maintenance is needed.



ATTACHMENTS VERSATILITY



The machine's attachment can be easily changed to save time and costs. Its design, hydraulics, piping and in-cab switches combined with the Volvo attachments range allows the EC60E to take on a variety of tasks. Volvo attachments work in harmony with the machine to deliver maximum productivity.

One machine, many job sites

Volvo offers a wide range of durable attachments that are suitable for any application, including utilities, building, agriculture, landscaping and forestry. Volvo attachments are an integrated part of the excavator for which they're intended – delivering maximum productivity and versatility.

Quick coupler

Both the mechanical and hydraulic quick coupler allows attachments to be changed quickly and efficiently. Making it easier on site, the quick coupler easily hooks up to a wide range of Volvo buckets and is the perfect match for the breakers and thumb.



Buckets

A complete range of buckets from general purpose reinforced buckets to ditching buckets, allow the machine to work on most job sites for a wide range of applications. The durable buckets are designed to work in loose gravel, crushed rock, dirt and soil.



Breaker

Volvo's durable hydraulic breakers have been designed for ultimate compatibility with Volvo excavators. The wide range of breaker tools (or bits) has been built to break all kinds of materials and combines excellent performance with low noise and vibration levels.



Thumb

Designed to work with both Volvo direct fit buckets and quick coupler, the Volvo thumb makes many tasks possible, including placing, loading, lifting and carrying.



A compact machine with big potential

BOOSTED PERFORMANCE



Do more in less time with increased combined digging efforts, a 10% improvement in traction, swing force and lifting capacity.

Smooth operation

For increased controllability, productivity and a comfortable operating experience you can smoothly dig, swing, load and lift.

MATRIS/VCADS Pro

Volvo MATRIS analyses operator behavior, improving efficiency and productivity. VCADS Pro helps to control your machine.

ATTACHMENT VERSATILITY



The Volvo attachments range allows the machine to take on a variety of tasks for a wide range of jobs and applications.

Versatility

Perform on any job site, whether you're working in a confined space or major construction area



Auto engine shutdown

The auto engine shutdown provides lower fuel costs, less noise, much lower maintenance costs and a greater resale value.

LARGER CAB



More space results in comfortable and relaxed operation, increasing production and reducing fatigue.

SERVICEABILITY



Ground level service access, new main control valve location, convenient greasing points and easy to clean cooling unit reduce service time.

Ease of control

The keypad groups all controls on the right hand side and the LCD screen displays all machine information for access to functions.

Operator convenience

Increased storage space in the cab provides for operator comfort and convenience.

Powerful Volvo Stage IIIB / Tier 4 final engine

For the ultimate combination of power and performance, the powerful engine pushes through challenging conditions.

CUSTOMER SUPPORT AGREEMENTS



Customer Support Agreements offer preventive maintenance, total repairs and a number of uptime services.



Adding value to your business

Being a Volvo customer means having a complete set of services at your fingertips. Volvo can offer you a long-term partnership, protect your revenue and provide a full range of customer solutions using high quality parts, delivered by passionate people. Volvo is committed to increasing the positive return on your investment and maximizing uptime.



Complete Solutions

Volvo has the right solution for you. So why not let us provide all your needs throughout the whole life cycle of your machine? By listening to your requirements, we can reduce your total cost of ownership and increase your revenue.



Genuine Volvo Parts

Our attention to detail is what makes us stand out. This proven concept acts as a solid investment in your machine's future. Parts are extensively tested and approved because every part is vital for uptime and performance. Only by using Genuine Volvo Parts, can you be sure that your machine retains the renowned Volvo quality.



Service Network

In order to respond to your needs faster, a Volvo expert is on their way to your job site from one of our Volvo facilities. With our extensive infrastructure of technicians, workshops and dealers, Volvo has a comprehensive network to fully support you using local knowledge and global experience.





CUSTOMER SUPPORT AGREEMENT



The range of Customer Support Agreements offer preventive maintenance, total repairs and a number of uptime services. Volvo uses the latest technology to monitor machine operation and status, giving you advice to increase your profitability. By having a Customer Support Agreement you are in control of your service costs.

Volvo EC60E in detail

Engine

The new engine which provide excellent performance is equipped with a four-cylinder, vertical, electronic controlled high pressure fuel injectors, four liter in-line turbo charger, air-to-air intercooler and water cooled diesel engine type. This engine fully meets the demands of the latest Tier 4f (Stage IIIb) emissions regulations.

Model	Volvo		D2.6H	
Max. power at	r/s / r/min		367 / 2,200	
Net (ISO 9249/SAEJ1349)	kW	hp	42.7	57
Gross (SAE J1995)	kW	hp	44.3	59
Max. torque	Nm	ft lbf	221.6	163
at engine speed	r/min		1,500	
No. of cylinders	4			
Displacement	l	in³	2.62	160
Bore	mm	in	87	3.43
Stroke	mm	in	110	4.33

Electrical system

Voltage	V		12	
Battery capacity	V / Ah		1 x 12 / 100	
Alternator	V / Ah		12 / 90	
Starter motor output	V / kW		12 / 2.5	

Hydraulic system

Open-center, negative hydraulic system providing accurate controllability

Main pump: Variable-displacement pump

Maximum flow l/min gal/min 2 x 60.5 2 x 16

Pilot pump: Gear pump

Maximum flow l/min gal/min 1 x 14.3 1 x 4

Relief valve setting

Implement	Mpa	psi	22.6	3,270
Travel circuit	Mpa	psi	22.6	3,270
Swing circuit	Mpa	psi	19.6	2,850
Pilot circuit	Mpa	psi	3.2	460

Swing system

No need for gear oil replacement

The lubricating system uses hydraulic operation oil for the reduction gear, eliminating the need for gear oil replacement.

Built-in parking brake

Parking brake can be built into the hydraulic motor, enabling safer parking on an incline

Shockless function

Shockless relief is standard equipment to enable smooth traversing.

Max. swing speed	r/min		9.5	
Max. swing Torque	kNm	ft lbf	12.3	9,040

Undercarriage

The undercarriage has a robust X-shaped frame. Greased and sealed track chains are standard.

Track shoes	2 x 39			
Link pitch	mm	in	135	5.3
Shoe width - steel	mm	in	380	15
Shoe width - rubber	mm	in	500	19.7
Bottom rollers	2 x 5			
Top rollers	2 x 1			

Travel system

Each track is powered by an automatic two-speed shift travel motor. The track brakes are multi-disc, spring-applied and hydraulic released. The travel motor, brake and planetary gears are well protected within the track frame.

Travel speed (low/high)	km/h	mph	2.3/4.4	1.4/2.7
Max. drawbar pull	kN	lbf	52.8	11,870
Gradeability				35

Service refill capacities

Fuel tank	l	gal	110	29
Hydraulic system, total	l	gal	120	32
Hydraulic tank	l	gal	76	20
Engine oil	l	gal	11	2.9
Engine coolant	l	gal	10	2.6
Travel reduction unit	l	gal	2 x 0.8	2 x 0.2

Sound Level

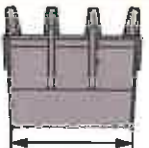


Sound level in cab according to ISO 6396

LpA (standard) dB(A) 78

External sound level according to ISO 6395 and EU Noise Directive 2000/14/EC

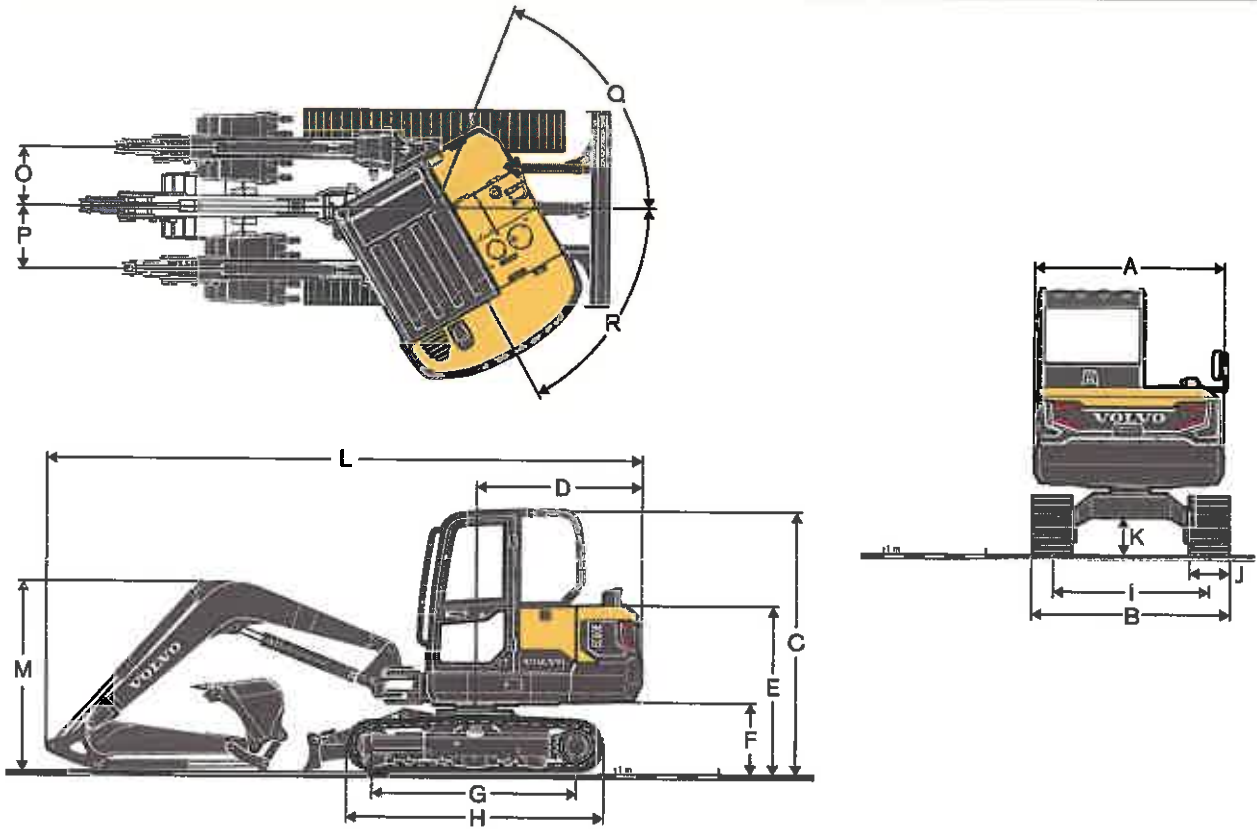
LpA (standard) dB(A) 97

Buckets

					
Width		Weight		Capacity	
mm	ft in	kg	lb	l	in ³
350	1' 2"	97	210	70	4,271
450	1' 6"	100	220	98	5,980
600	2' 0"	129	280	142	8,665
750	2' 6"	145	320	187	11,411
900	2' 11"	164	360	235	14,340
1 500	4' 11"	176	390	265	16,170

Specifications

DIMENSIONS



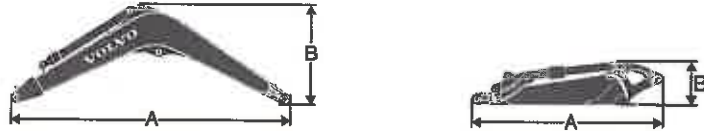
Machine							
Boom		m	ft in	3.0	9' 10"	3.0	9' 10"
Arm		m	ft in	1.6	5' 3"	1.9	6' 3"
A	Overall width of upper structure	mm	ft in	1 845	6' 1"	1 845	6' 1"
B	Overall width	mm	ft in	1 920	6' 4"	1 920	6' 4"
C	Overall height of cab	mm	ft in	2 584	8' 6"	2 584	8' 6"
D	Tail swing radius	mm	ft in	1 650	5' 5"	1 650	5' 5"
E	Overall height of engine hood	mm	ft in	1 630	5' 4"	1 630	5' 4"
F	Counterweight clearance *	mm	ft in	671	2' 2"	671	2' 2"
G	Tumbler length	mm	ft in	1 990	6' 6"	1 990	6' 6"
H	Track length	mm	ft in	2 500	8' 2"	2 500	8' 2"
I	Track gauge	mm	ft in	1 520	5' 0"	1 520	5' 0"
J	Shoe width	mm	ft in	380	1' 3"	380	1' 3"
K	Min. ground clearance *	mm	ft in	350	1' 2"	350	1' 2"
L	Overall length	mm	ft in	5 800	19' 0"	5 865	19' 3"
M	Overall height of boom	mm	ft in	1 854	6' 1"	1 978	6' 6"
O	Boom swing distance	mm	ft in	684	2' 3"	684	2' 3"
P	Boom swing distance	mm	ft in	755	2' 6"	755	2' 6"
Q	Boom swing angle	°			70		70
R	Boom swing angle	°			60		60

* Without shoe grouser

** Based on Steel track

Specifications

DIMENSIONS



			Boom		Arm			
	m	ft in	3.0	9' 10"	1.6	5' 3"	1.9	6' 3"
A Length	mm	ft in	3 120	10' 3"	2 120	6' 11"	2 400	7' 10"
B Height	mm	ft in	1 150	3' 9"	520	1' 8"	520	1' 8"
Width	mm	ft in	336	1' 1"	300	1' 0"	300	1' 0"
Weight	kg	lb	375	830	168	370	181	400

Boom * Includes cylinder, piping and pin, excludes boom cyl. Pin
 Arm * Includes cylinder, linkage and pin



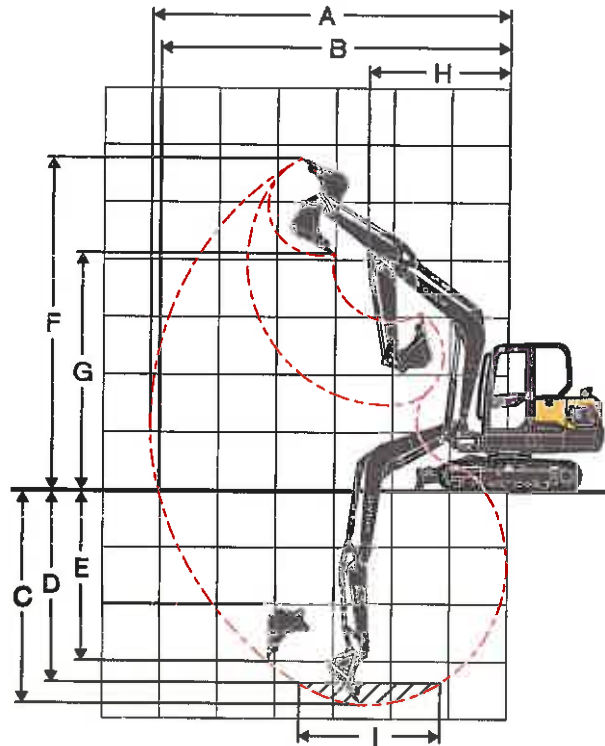
Dozer blade				Standard dozer		Zero-offset (Longer) dozer	
A	Height	mm	ft in	350	1' 2"	350	1' 2"
	Width	mm	ft in	1 920	6' 4"	1 920	6' 4"
B	Lifting height	mm	ft in	351	1' 2"	424	1' 5"
C	Digging depth	mm	ft in	446	1' 6"	605	2' 0"

Boom * Includes cylinder, piping and pin, excludes boom cyl. Pin
 Arm * Includes cylinder, linkage and pin

MACHINE WEIGHTS AND GROUND PRESSURE

	Shoe width		Operating weight		Ground pressure	
	mm	in	kg	lb	kPa	psi
Boom 3 m / 9' 10", Arm 1.6 m / 5' 3", Bucket 129 kg (142 l) / 280 lb, Counterweight 440 kg / 970 lb						
Steel track	380	15"	5 880	12,970	34.9	5
Steel track	500	20"	5 982	13,190	27.0	4
Rubber track	400	16"	5 819	12,830	32.8	5
Rubber pad	400	16"	5 916	13,040	33.1	5
Boom 3 m / 9' 10", Arm 1.9 m / 6' 3", Bucket 129 kg (142 l) / 280 lb, Counterweight 440 kg / 970 lb						
Steel track	380	15"	5 930	13,080	35.2	5
Steel track	500	20"	6 032	13,300	27.2	4
Rubber track	400	16"	5 879	12,960	33.2	5
Rubber pad	400	16"	5 966	13,160	33.4	5

WORKING RANGES



Description	Unit						
Boom	m	ft in	3.0	9' 10"	3.0	9' 10"	
Arm	m	ft in	1.6	5' 3"	1.9	6' 3"	
A Max. digging reach	mm	ft in	6 105	20' 0"	6 395	21' 0"	
B Max. digging reach on ground	mm	ft in	5 970	19' 7"	6 260	20' 6"	
C Max. digging depth	mm	ft in	3 695	12' 1"	3 995	13' 1"	
D Max. digging depth (I=2.44 m / 8' 0" level)	mm	ft in	3 295	10' 10"	3 640	11' 11"	
E Max. vertical wall digging depth	mm	ft in	2 625	8' 7"	2 900	9' 6"	
F Max. cutting height	mm	ft in	5 695	18' 8"	5 885	19' 4"	
G Max. dumping height	mm	ft in	4 150	13' 7"	4 340	14' 3"	
H Min. front swing radius	mm	ft in	2 465	8' 1"	2 470	8' 1"	
DIGGING FORCES WITH DIRECT FIT BUCKET							
Breakout force (bucket)	SAE J1179	kN	lb	37.7	8,470	37.7	8,470
	ISO 6015	kN	lb	43.3	9,720	43.3	9,720
Tearout force (arm)	SAE J1179	kN	lb	28.2	6,340	25.0	5,630
	ISO 6015	kN	lb	28.8	6,470	25.4	5,710
Rotation angle, bucket			°	196		196	

Specifications

LIFTING CAPACITY EC60E

Lifting capacity at the arm end without bucket.

For lifting capacity including bucket, simply subtract actual weight of the direct fit bucket or the bucket with quick coupler from the following values.

	Lifting hook related to ground level	1.0 m, 3.3 ft		2.0 m, 6.6 ft		3.0 m, 9.9 ft		4.0 m, 13.2 ft		5.0 m, 16.5 ft		Max. Reach			
		Along UC	Across UC	Along UC	Across UC	Along UC	Across UC	Along UC	Across UC	Along UC	Across UC	Along UC	Across UC		
Boom: 3.0 m / 9' 10" Arm: 1.6 m GP / 5' 3" GP Shoe: 400 mm / 16" Rubber track CWT: 440 kg / 970 lb Dozerblade: Down	4.0 m kg	-	-	-	-	-	-	1,450	1,150	-	-	1,420	1,000	4.3 m	
	13.2 ft lb	-	-	-	-	-	-	3,210	2,510	-	-	3,140	2,220	14.1 ft	
	3.0 m kg	-	-	-	-	-	-	1,510	1,190	-	-	1,320	800	4.9 m	
	9.9 ft lb	-	-	-	-	-	-	3,310	2,480	-	-	2,920	1,770	16.1 ft	
	2.0 m kg	-	-	-	-	2,820	1,670	1,730	1,080	1,470	770	1,390	710	5.2 m	
	6.6 ft lb	-	-	-	-	5,070	3,670	3,790	2,380	3,230	1,680	2,920	1,570	17.2 ft	
	1.0 m kg	-	-	-	-	2,910	1,530	1,960	1,030	1,540	760	1,400	680	5.3 m	
	3.3 ft lb	-	-	-	-	6,360	3,390	4,300	2,260	3,370	1,630	3,090	1,510	17.4 ft	
	0.0 m kg	-	-	1,360	1,360	3,050	1,490	2,060	990	1,620	730	1,450	700	5.1 m	
	0.0 ft lb	-	-	3,060	3,060	6,670	3,270	4,520	2,180	3,330	1,600	3,200	1,550	16.9 ft	
	-1.0 m kg	2,430	2,430	3,230	2,910	2,790	1,480	1,930	980	-	-	1,440	790	4.7 m	
	-3.3 ft lb	5,390	5,390	7,200	6,340	6,120	3,250	4,220	2,160	-	-	3,180	1,750	15.5 ft	
	-2.0 m kg	-	-	3,140	2,960	2,130	1,510	-	-	-	-	1,940	1,080	4.0 m	
	-6.6 ft lb	-	-	6,860	6,470	4,650	3,310	-	-	-	-	2,960	2,280	12.9 ft	
Boom: 3.0 m / 9' 10" Arm: 1.6 m GP / 5' 3" GP Shoe: 400 mm / 16" Rubber track CWT: 440 kg / 970 lb Dozerblade: Up	4.0 m kg	-	-	-	-	-	-	1,450	1,070	-	-	1,290	930	4.3 m	
	13.2 ft lb	-	-	-	-	-	-	3,210	2,340	-	-	2,860	2,070	14.1 ft	
	3.0 m kg	-	-	-	-	-	-	1,460	1,050	-	-	1,030	740	4.9 m	
	9.9 ft lb	-	-	-	-	-	-	3,190	2,310	-	-	2,290	1,640	16.1 ft	
	2.0 m kg	-	-	-	-	2,210	1,350	1,410	1,010	1,000	710	930	660	5.2 m	
	6.6 ft lb	-	-	-	-	4,830	3,390	3,080	2,210	2,190	1,560	2,050	1,460	17.2 ft	
	1.0 m kg	-	-	-	-	2,070	1,430	1,350	950	980	690	890	620	5.3 m	
	3.3 ft lb	-	-	-	-	4,540	3,130	2,960	2,090	2,140	1,510	1,980	1,400	17.4 ft	
	0.0 m kg	-	-	1,360	1,360	2,010	1,370	1,310	920	960	670	920	650	5.1 m	
	0.0 ft lb	-	-	3,060	3,060	4,400	3,000	2,880	2,010	2,100	1,480	2,040	1,440	16.9 ft	
	-1.0 m kg	2,430	2,430	3,230	2,630	2,000	1,360	1,300	910	-	-	1,040	730	4.7 m	
	-3.3 ft lb	5,390	5,390	7,200	5,740	4,380	2,990	2,860	1,990	-	-	2,300	1,620	15.5 ft	
	-2.0 m kg	-	-	3,140	2,630	2,030	1,390	-	-	-	-	1,340	950	4.0 m	
	-6.6 ft lb	-	-	6,860	5,860	4,450	3,050	-	-	-	-	2,960	2,110	12.9 ft	
Boom: 3.0 m / 9' 10" Arm: 1.6 m GP / 5' 3" GP Shoe: 380 mm / 15" Steel Track CWT: 440 kg / 970 lb Dozerblade: Down	4.0 m kg	-	-	-	-	-	-	1,450	1,180	-	-	1,420	1,020	4.3 m	
	13.2 ft lb	-	-	-	-	-	-	3,210	2,570	-	-	3,140	2,280	14.1 ft	
	3.0 m kg	-	-	-	-	-	-	1,510	1,180	-	-	1,320	820	4.9 m	
	9.9 ft lb	-	-	-	-	-	-	3,310	2,540	-	-	2,920	1,820	16.1 ft	
	2.0 m kg	-	-	-	-	2,820	1,720	1,780	1,110	1,470	790	1,390	730	5.2 m	
	6.6 ft lb	-	-	-	-	5,070	3,760	3,790	2,440	3,230	1,730	2,920	1,620	17.2 ft	
	1.0 m kg	-	-	-	-	2,910	1,590	1,960	1,060	1,540	770	1,400	700	5.3 m	
	3.3 ft lb	-	-	-	-	6,360	3,490	4,300	2,320	3,370	1,680	3,090	1,560	17.4 ft	
	0.0 m kg	-	-	1,360	1,360	3,050	1,530	2,050	1,020	1,520	730	1,450	720	5.1 m	
	0.0 ft lb	-	-	3,060	3,060	6,670	3,360	4,520	2,240	3,330	1,650	3,200	1,600	16.9 ft	
	-1.0 m kg	2,430	2,430	3,230	2,990	2,790	1,530	1,930	1,010	-	-	1,440	810	4.7 m	
	-3.3 ft lb	5,390	5,390	7,200	6,520	6,120	3,340	4,220	2,220	-	-	3,180	1,800	15.5 ft	
	-2.0 m kg	-	-	3,140	3,040	2,130	1,560	-	-	-	-	1,940	1,060	4.0 m	
	-6.6 ft lb	-	-	6,860	6,650	4,650	3,410	-	-	-	-	2,960	2,350	12.9 ft	
Boom: 3.0 m / 9' 10" Arm: 1.6 m GP / 5' 3" GP Shoe: 380 mm / 15" Steel Track CWT: 440 kg / 970 lb Dozerblade: Up	4.0 m kg	-	-	-	-	-	-	1,450	1,100	-	-	1,320	950	4.3 m	
	13.2 ft lb	-	-	-	-	-	-	3,210	2,400	-	-	2,950	2,120	14.1 ft	
	3.0 m kg	-	-	-	-	-	-	1,500	1,060	-	-	1,070	760	4.9 m	
	9.9 ft lb	-	-	-	-	-	-	3,280	2,370	-	-	2,360	1,690	16.1 ft	
	2.0 m kg	-	-	-	-	2,270	1,590	1,480	1,030	1,030	790	960	680	5.2 m	
	6.6 ft lb	-	-	-	-	4,960	3,480	3,180	2,270	2,250	1,610	2,120	1,500	17.2 ft	
	1.0 m kg	-	-	-	-	2,140	1,470	1,390	980	1,010	710	920	650	5.3 m	
	3.3 ft lb	-	-	-	-	4,670	3,210	3,050	2,150	2,210	1,560	2,040	1,440	17.4 ft	
	0.0 m kg	-	-	1,360	1,360	2,070	1,410	1,360	950	980	700	950	670	5.1 m	
	0.0 ft lb	-	-	3,060	3,060	4,540	3,090	2,970	2,070	2,170	1,530	2,110	1,480	16.9 ft	
	-1.0 m kg	2,430	2,430	3,230	2,700	2,070	1,400	1,340	940	-	-	1,070	730	4.7 m	
	-3.3 ft lb	5,390	5,390	7,200	5,900	4,520	3,070	2,950	2,050	-	-	2,370	1,660	15.5 ft	
	-2.0 m kg	-	-	3,140	2,760	2,100	1,430	-	-	-	-	1,340	980	4.0 m	
	-6.6 ft lb	-	-	6,860	6,020	4,580	3,130	-	-	-	-	2,960	2,170	12.9 ft	
Boom: 3.0 m / 9' 10" Arm: 1.9 m GP / 6' 3" GP Shoe: 400 mm / 16" Rubber track CWT: 440 kg / 970 lb Dozerblade: Down	6.0 m kg	-	-	-	-	-	-	-	-	-	-	1,360	1,290	8.7 m	
	16.5 ft lb	-	-	-	-	-	-	-	-	-	-	-	3,060	2,890	12.1 ft
	4.0 m kg	-	-	-	-	-	-	-	1,280	1,160	-	-	1,160	880	4.7 m
	13.2 ft lb	-	-	-	-	-	-	-	2,830	2,540	-	-	2,560	1,950	15.3 ft
	3.0 m kg	-	-	-	-	-	-	-	1,360	1,140	1,310	780	1,090	720	5.2 m
	9.9 ft lb	-	-	-	-	-	-	-	3,000	2,490	2,900	1,720	2,400	1,590	17.2 ft
	2.0 m kg	-	-	-	-	2,070	1,700	1,800	1,090	1,890	760	1,090	650	5.5 m	
	6.6 ft lb	-	-	-	-	4,530	3,720	3,510	2,380	3,040	1,680	2,400	1,430	18.1 ft	
	1.0 m kg	-	-	-	-	2,740	1,360	1,870	1,090	1,480	740	1,140	620	5.6 m	
	3.3 ft lb	-	-	-	-	5,990	3,410	4,100	2,250	3,260	1,620	2,520	1,370	18.3 ft	
	0.0 m kg	-	-	1,510	1,510	3,020	1,480	2,030	980	1,580	720	1,270	630	5.4 m	
	0.0 ft lb	-	-	3,370	3,370	6,610	3,290	4,440	2,150	3,340	1,570	2,800	1,410	17.8 ft	
	-1.0 m kg	2,060	2,060	2,830	2,840	2,890	1,450	1,380	930	1,380	710	1,230	700	5.1 m	
	-3.3 ft lb	4,560	4,560	6,410	6,200	6,320	3,190	4,330	2,110	3,000	1,560	2,970	1,550	16.6 ft	
-2.0 m kg	3,400	3,400	3,700	2,890	2,370	1,470	1,590	960	-	-	1,300	870	4.4 m		
-6.6 ft lb	7,540	7,540	8,080	6,320	5,170	3,230	3,450	2,140	-	-	2,860	1,940	14.3 ft		
-3.0 m kg	-	-	1,690	1,040	1,040	1,040	-	-	-	-	970	970	3.1 m		
-9.9 ft lb	-	-	3,610	3,610	2,160	2,160	-	-	-	-	2,110	2,110	10.0 ft		

Notes: 1. Machine in "Fine Mode-F" (Power Boost) for lifting capacities. 2. The above loads are in compliance with SAE J1097 and ISO 10587 Hydraulic Excavator Lifting Capacity Standards. 3. Rated loads do not exceed 87% of hydraulic lifting capacity or 76% of tipping load. 4. Rated loads marked with an asterisk (*) are limited by hydraulic capacity rather than tipping load.

LIFTING CAPACITY EC60E

Lifting capacity at the arm end without bucket.

For lifting capacity including bucket. Simply subtract actual weight of the direct fit bucket or the bucket with quick coupler from the following values.

	Lifting hook related to ground level	1.0 m, 3.3 ft		2.0 m, 6.6 ft		3.0 m, 9.9 ft		4.0 m, 13.2 ft		5.0 m, 16.5 ft		Max. Reach		
		Along UC	Across UC	Along UC	Across UC	Along UC	Across UC	Along UC	Across UC	Along UC	Across UC	Along UC	Across UC	
		5.0 m 16.5 ft	kg lb	-	-	-	-	-	-	-	-	-	-	1 880
4.0 m 13.2 ft	kg lb	-	-	-	-	-	-	1 280	1 080	-	-	1 130	810	4.7 m 15.3 ft
3.0 m 9.9 ft	kg lb	-	-	-	-	-	-	1 360	1 060	1 020	730	2 520	1 810	5.2 m 17.2 ft
2.0 m 6.6 ft	kg lb	-	-	-	-	2 070	1 570	3 000	2 320	2 220	1 590	2 070	1 480	5.5 m 18.1 ft
1.0 m 3.3 ft	kg lb	-	-	-	-	4 560	3 440	4 560	3 440	2 960	2 120	1 500	1 100	5.8 m 18.8 ft
0.0 m 0.0 ft	kg lb	-	-	1 510	1 510	2 000	1 360	1 900	1 300	910	640	840	590	3.1 m 10.0 ft
-1.0 m -3.3 ft	kg lb	2 060	2 060	2 880	2 880	1 970	1 380	1 280	890	940	660	930	630	3.1 m 10.0 ft
-2.0 m -6.6 ft	kg lb	3 400	3 400	3 700	2 610	4 310	2 920	2 810	1 940	2 060	1 440	2 050	1 430	4.4 m 14.3 ft
-3.0 m -9.9 ft	kg lb	7 540	7 540	8 080	5 710	4 360	2 960	2 840	1 970	-	-	2 560	1 790	3.1 m 10.0 ft
5.0 m 16.5 ft	kg lb	-	-	-	-	-	-	-	-	-	-	1 380	1 320	3.7 m 12.1 ft
4.0 m 13.2 ft	kg lb	-	-	-	-	-	-	1 280	1 190	-	-	1 160	900	4.7 m 15.3 ft
3.0 m 9.9 ft	kg lb	-	-	-	-	-	-	1 360	1 170	1 310	800	1 090	740	5.2 m 17.2 ft
2.0 m 6.6 ft	kg lb	-	-	-	-	2 070	1 740	3 000	2 560	2 900	1 760	2 400	1 640	5.5 m 18.1 ft
1.0 m 3.3 ft	kg lb	-	-	-	-	4 560	3 810	4 560	3 510	3 040	1 720	2 400	1 470	5.6 m 18.3 ft
0.0 m 0.0 ft	kg lb	-	-	1 510	1 510	2 020	1 520	2 080	1 010	1 530	740	1 270	860	3.4 m 11.1 ft
-1.0 m -3.3 ft	kg lb	2 060	2 060	2 880	2 880	2 890	1 500	1 880	990	1 880	730	1 350	720	3.1 m 10.0 ft
-2.0 m -6.6 ft	kg lb	3 400	3 400	3 700	2 970	4 320	3 270	4 330	2 170	3 000	1 610	2 970	1 600	4.4 m 14.3 ft
-3.0 m -9.9 ft	kg lb	7 540	7 540	8 080	6 480	5 170	3 310	3 450	2 200	-	-	2 860	2 000	3.1 m 10.0 ft
5.0 m 16.5 ft	kg lb	-	-	-	-	-	-	-	-	-	-	1 380	1 280	3.7 m 12.1 ft
4.0 m 13.2 ft	kg lb	-	-	-	-	-	-	1 280	1 110	-	-	1 160	840	4.7 m 15.3 ft
3.0 m 9.9 ft	kg lb	-	-	-	-	-	-	1 360	1 090	1 050	780	960	690	5.2 m 17.2 ft
2.0 m 6.6 ft	kg lb	-	-	-	-	2 070	1 610	3 000	2 380	2 290	1 640	2 140	1 520	5.5 m 18.1 ft
1.0 m 3.3 ft	kg lb	-	-	-	-	4 560	3 590	4 560	3 180	2 270	1 600	1 930	1 360	5.6 m 18.3 ft
0.0 m 0.0 ft	kg lb	-	-	1 510	1 510	2 060	1 390	1 340	890	980	680	870	600	3.4 m 11.1 ft
-1.0 m -3.3 ft	kg lb	2 060	2 060	2 880	2 640	2 060	1 370	1 320	910	970	660	860	670	3.1 m 10.0 ft
-2.0 m -6.6 ft	kg lb	3 400	3 400	3 700	2 690	2 050	1 890	1 940	930	-	-	1 190	830	4.4 m 14.3 ft
-3.0 m -9.9 ft	kg lb	7 540	7 540	8 080	5 870	4 490	3 050	2 930	2 030	-	-	2 650	1 850	3.1 m 10.0 ft

Notes: 1. Machine in "Fine Mode-F" (Power Boost) for lifting capacities. 2. The above loads are in compliance with SAE J1097 and ISO 10567 Hydraulic Excavator Lifting Capacity Standards. 3. Rated loads do not exceed 87% of hydraulic lifting capacity or 75% of tipping load. 4. Rated loads marked with an asterisk (*) are limited by hydraulic capacity rather than tipping load.

Equipment

STANDARD EQUIPMENT

Engine

Low-emission Volvo T4 diesel engine

Standard cooling system

Two-stage air filter

Fuel filter and water separator

Alternator, 90 A

Electric/Electronic control system

Safe engine start function

Automatic idling system

Halogen working lights;

Cab-mounted 2 (Front), Boom-mounted 1(LH)

Battery, 12 V / 100 Ah

Start motor, 12 V / 2.5 kW

Monitor and keypad

Main electrical disconnect switch

Travel alarm

Electric pilot control change

Hydraulic system

Automatic two speed travel motore

Cylinder cushioning

Hydraulic fluid mineral 46

Cab and interior

Canopy

Fabric operator seat with suspension

Seat belt, 2 inch retractable

Control joystick

AM/FM stereo

Master key

Hour meter (non analog)

Frame

Rearview mirror

440 kg (970 lb) counterweight

Under cover

Dozer blade

Undercarriage

Greased and sealed track link

400 mm (16") rubber track

Digging equipment

Boom: 3.0 m (9' 10"), Arm: 1.6 m (5' 3")

Linkage

Service

Tool kit-daily maintenance

OPTIONAL EQUIPMENT

Engine

Water separator (With heater)

Engine auto shut down

Electric/Electronic control system

Fuel filler pump: 35 l/min (9.3 gpm), with automatic shut-off

Extra working lights;

Cab-mounted 1 (Rear)

Boom-mounted 1(RH)

Caretrack

Air compressor

Microphone

Rotating warning beacon

Rearview Camera

Electric dozerblade switch on joystick

LED Light

Hydraulic system

Hydraulic piping;

Breaker & shear

Slope & rotator

Grapple

Quick coupler

Hose rupture valve for boom

Overload warning device

Hydraulic oil, ISO VG 32, 68

Hydraulic oil, biodegradable 46

Hydraulic oil, longlife oil 32, 46, 68

Cab and interior

Cab with caretrack

Heater and air-conditioner

Fabric operator seat with suspension with heater

PVC operator seat with suspension

Control joystick, X3 proportional

Seat belt, 3 inch retractable

Radio with MP3/AUX/Bluetooth

Mechanical hour meter

Cab mounted FOG (Falling Object Guard)

FOPS (Falling Object Protection Structure)

Sun screen, front/roof

Safety net

Frame

Dozer blade with floating function

Undercarriage / Superstructure

380 mm (15"), 500 mm (20") steel track

400 mm (16") rubber pad

Digging equipment

Arm: 1.9 m (6' 3")

Service

Tool kit, full scale

Spare parts

SELECTION OF VOLVO OPTIONAL EQUIPMENT

Electric dozer blade switch on joystick



Rear view camera



LED Light



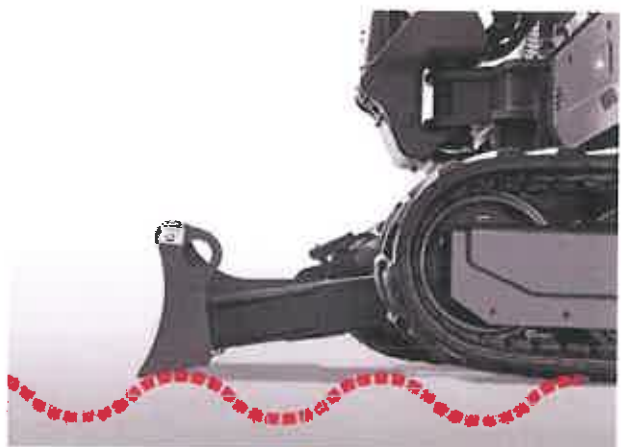
Auxiliary hydraulic piping (X3)



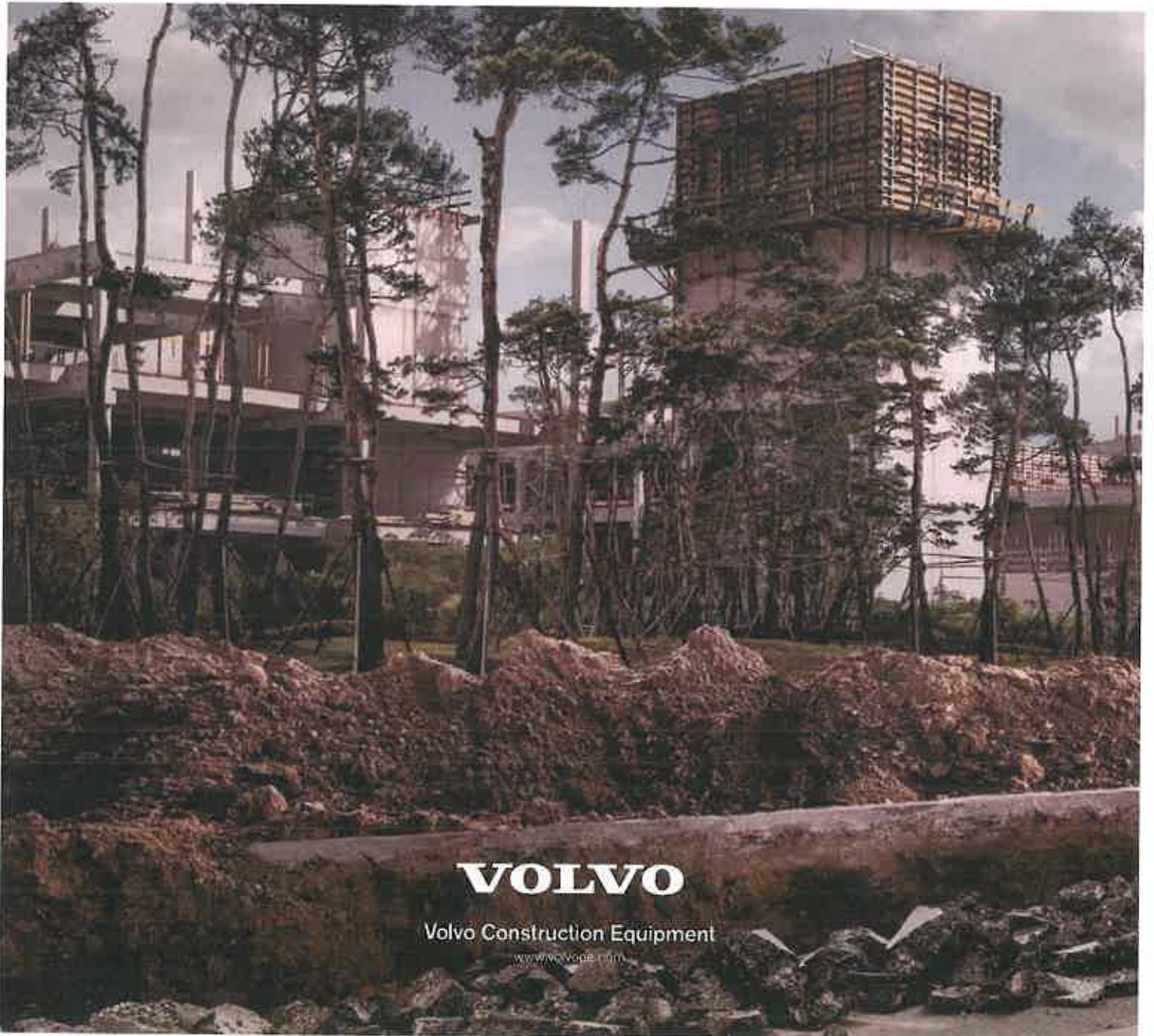
Long arm



Floating dozer blade



Not all products are available in all markets. Under our policy of continuous improvement, we reserve the right to change specifications and design without prior notice. The illustrations do not necessarily show the standard version of the machine.



VOLVO

Volvo Construction Equipment

www.volvo.com