



The following documentation is an electronically-submitted vendor response to an advertised solicitation from the *West Virginia Purchasing Bulletin* within the Vendor Self-Service portal at ***wvOASIS.gov***. As part of the State of West Virginia's procurement process, and to maintain the transparency of the bid-opening process, this documentation submitted online is publicly posted by the West Virginia Purchasing Division at ***WVPurchasing.gov*** with any other vendor responses to this solicitation submitted to the Purchasing Division in hard copy format.

Header 12


[List View](#)**General Information** | [Contact](#) | [Default Values](#) | [Discount](#) | [Document Information](#)

Procurement Folder: 404016

SO Doc Code: CRFQ

Procurement Type: Central Master Agreement

SO Dept: 0608

Vendor ID: 

SO Doc ID: COR1800000016

Legal Name: STATE ELECTRIC SUPPLY COMPANY

Published Date: 3/15/18

Alias/DBA:



Close Date: 3/22/18

Total Bid: \$389,359.00

Close Time: 13:30

Response Date: 

Status: Closed

Response Time: Solicitation Description:  

Total of Header Attachments: 12

[Apply Default Values to Commodity Lines](#)[View Procurement Folder](#)



Purchasing Division
 2019 Washington Street East
 Post Office Box 50130
 Charleston, WV 25305-0130

**State of West Virginia
 Solicitation Response**

Proc Folder : 404016

Solicitation Description : ADDENDUM 2 SECURITY CAMERAS, DVRS, NVRS, AND EQUIPMENT

Proc Type : Central Master Agreement

Date issued	Solicitation Closes	Solicitation Response	Version
	2018-03-22 13:30:00	SR 0608 ESR03141800000004105	1

VENDOR
000000200562 STATE ELECTRIC SUPPLY COMPANY

Solicitation Number: CRFQ 0608 COR1800000016

Total Bid : \$389,359.00

Response Date: 2018-03-14

Response Time: 16:13:31

Comments:

FOR INFORMATION CONTACT THE BUYER
 Crystal Rink
 (304) 558-2402
 crystal.g.rink@wv.gov

Signature on File **FEIN #** **DATE**

All offers subject to all terms and conditions contained in this solicitation

Line	Comm Ln Desc	Qty	Unit Issue	Unit Price	Ln Total Or Contract Amount
1	TruVision 360 Indoor Camera, TVF-3103, or equal	50.00000	EA	\$634.150000	\$31,707.50

Comm Code	Manufacturer	Specification	Model #
46171610			

Extended Description :	TruVision 360 Indoor Camera, TVF-3103, or equal
-------------------------------	---

Comments: Quoting Inaxsys INSDO6IRHEM

Line	Comm Ln Desc	Qty	Unit Issue	Unit Price	Ln Total Or Contract Amount
2	TruVision 360 Outdoor Camera, TVF-3104, or equal	50.00000	EA	\$634.150000	\$31,707.50

Comm Code	Manufacturer	Specification	Model #
46171610			

Extended Description :	TruVision 360 Outdoor Camera, TVF-3104, or equal
-------------------------------	--

Comments: Quoting Inaxsys INSDO6IRHEM

Line	Comm Ln Desc	Qty	Unit Issue	Unit Price	Ln Total Or Contract Amount
3	TruVision 360 Outdoor Bullet Cam, TVB-5501 or equal	50.00000	EA	\$389.030000	\$19,451.50

Comm Code	Manufacturer	Specification	Model #
46171610			

Extended Description :	TruVision 360 Outdoor Bullet Cam, TVB-5501 or equal
-------------------------------	---

Comments: Quoting Inaxsys INSBO6IRA

Line	Comm Ln Desc	Qty	Unit Issue	Unit Price	Ln Total Or Contract Amount
4	TruVision Wedge IR Camera, TVF-3102, or equal	50.00000	EA	\$182.930000	\$9,146.50

Comm Code	Manufacturer	Specification	Model #
46171610			

Extended Description :	TruVision Wedge IR Camera, TVF-3102, or equal
-------------------------------	---

Comments: Quoting Inaxsys INSWDO4IRWF

Line	Comm Ln Desc	Qty	Unit Issue	Unit Price	Ln Total Or Contract Amount
5	TruVision 360 Dome Camera, TVF-3101, or equal	50.00000	EA	\$347.570000	\$17,378.50

Comm Code	Manufacturer	Specification	Model #
46171610			

Extended Description :	TruVision 360 Dome Camera, TVF-3101, or equal
-------------------------------	---

Comments: Quoting Inaxsys INSDO5HEM

Line	Comm Ln Desc	Qty	Unit Issue	Unit Price	Ln Total Or Contract Amount
6	TruVision Wedge IR Camera, TVW-3101, or equal	50.00000	EA	\$169.520000	\$8,476.00

Comm Code	Manufacturer	Specification	Model #
46171610			

Extended Description :	TruVision Wedge IR Camera, TVW-3101, or equal
-------------------------------	---

Comments: Quoting Inaxsys INSWDO2IRWF

Line	Comm Ln Desc	Qty	Unit Issue	Unit Price	Ln Total Or Contract Amount
7	TruVision Network Video Recorder, TVN-7001-96T, or equal	10.00000	EA	\$10,121.950000	\$101,219.50

Comm Code	Manufacturer	Specification	Model #
46171610			

Extended Description :	TruVision Network Video Recorder, TVN-7001-96T, or equal
-------------------------------	--

Comments: Quoting Inaxsys INS128164K 96T

Line	Comm Ln Desc	Qty	Unit Issue	Unit Price	Ln Total Or Contract Amount
8	TruVision NVR-2IP, TVN2132P-32, or equal	50.00000	EA	\$2,909.750000	\$145,487.50

Comm Code	Manufacturer	Specification	Model #
46171610			

Extended Description :	TruVision NVR-2IP, TVN2132P-32, or equal
-------------------------------	--

Comments: Quoting Inaxsys INS324K32T

Line	Comm Ln Desc	Qty	Unit Issue	Unit Price	Ln Total Or Contract Amount
9	TruVision 360 Degree Dome Round Back Box (mount), or equal	50.00000	EA	\$23.080000	\$1,154.00

Comm Code	Manufacturer	Specification	Model #
46171610			

Extended Description :	TruVision 360 Degree Dome Round Back Box (mount), or equal
-------------------------------	--

Comments: Quoting Inaxsys INSX132

Line	Comm Ln Desc	Qty	Unit Issue	Unit Price	Ln Total Or Contract Amount
10	TruVision 360 Cup Base (mount), or equal	50.00000	EA	\$23.080000	\$1,154.00

Comm Code	Manufacturer	Specification	Model #
46171610			

Extended Description :	TruVision 360 Cup Base (mount), or equal
-------------------------------	--

Comments: Quoting Inaxsys INSX100

Line	Comm Ln Desc	Qty	Unit Issue	Unit Price	Ln Total Or Contract Amount
11	TruVision 360 Degree Dome Rnd Angel Back Box (mount) or equa	50.00000	EA	\$16.350000	\$817.50

Comm Code	Manufacturer	Specification	Model #
46171610			

Extended Description :	TruVision 360 Degree Dome Rnd Angel Back Box (mount) or equa
-------------------------------	--

Line	Comm Ln Desc	Qty	Unit Issue	Unit Price	Ln Total Or Contract Amount
12	TruVision Bullet Camera, TVB-4404, or equal	50.00000	EA	\$86.590000	\$4,329.50

Comm Code	Manufacturer	Specification	Model #
46171610			

Extended Description :	TruVision Bullet Camera, TVB-4404, or equal
-------------------------------	---

Comments: Quoting Inaxsys INSBO2IRUV

Line	Comm Ln Desc	Qty	Unit Issue	Unit Price	Ln Total Or Contract Amount
13	TruVision Dome Camera, TVD-4404, or equal	50.00000	EA	\$62.200000	\$3,110.00

Comm Code	Manufacturer	Specification	Model #
46171610			

Extended Description :	TruVision Dome Camera, TVD-4404, or equal
-------------------------------	---

Comments: Quoting Inaxsys INSDO2IRUV

Line	Comm Ln Desc	Qty	Unit Issue	Unit Price	Ln Total Or Contract Amount
14	TruVision TVR-4516HD-12 (16 Channel), or equal	10.00000	EA	\$1,421.950000	\$14,219.50

Comm Code	Manufacturer	Specification	Model #
46171610			

Extended Description : TruVision TVR-4516HD-12 (16 Channel), or equal

Comments: Quoting Inaxsys Combination of INS81UVR8T & INS161UVR12T

Line	Comm Ln Desc	Qty	Unit Issue	Unit Price	Ln Total Or Contract Amount
15	TruVision TVR-4508HD-8T (8 Channel), or equal	620.00000	EA	\$0.000000	\$0.00

Comm Code	Manufacturer	Specification	Model #
46171610			

Extended Description : TruVision TVR-4508HD-8T (8 Channel), or equal

Comments: When Purchasing Inaxsys INS128164K 96T, all camera licenses are included.

Revised Exhibit A	Security Cameras and Equipment
-------------------	--------------------------------

CRFQ COR1800000016

<u>Item</u>	<u>Description</u>	<u>Unit of Measure</u>	<u>Unit Price</u>	<u>Estimated Quantity</u>	<u>Total Cost</u>
3.1.1	TruVision 360 Indoor Camera, TVF-3103, or equal	Each	\$634.15	50	\$31,707.50
3.1.2	TruVision 360 Outdoor Camera, TVF-3104, or equal	Each	\$634.15	50	\$31,707.50
3.1.3	TruVision 360 Outdoor Bullet Cam, TVB-5501, or equal	Each	\$389.03	50	\$19,451.50
3.1.4	TruVision Wedge IR Camera, TVF-3102, or equal	Each	\$182.93	50	\$9,146.50
3.1.5	TruVision 360 Dome Camera, TVF-3101, or equal	Each	\$347.57	50	\$17,378.50
3.1.6	TruVision Wedge IR Camera, TVW-3101, or equal	Each	\$169.52	50	\$8,476.00
3.1.7	TruVision Network Video Recorder, TVN-7001-96T, or equal	Each	\$10,121.95	10	\$101,219.50
3.1.8	TruVision NVR-2IP, TVN2132P-32, or equal	Each	\$2,909.75	50	\$145,487.50
3.1.9	TruVision 360 Degree Dome Round Back Box (mount), or equal	Each	\$23.08	50	\$1,154.00
3.1.10	TruVision 360 Cup Base (mount), or equal	Each	\$23.08	50	\$1,154.00
3.1.11	TruVision 360 Degree Dome Round Angel Back Box (mount), or equal	Each	\$16.35	50	\$817.50
3.1.12	TruVision Bullet Camera, TVB-4404, or equal	Each	\$86.59	50	\$4,329.50
3.1.13	TruVision Dome Camera, TVD-4404, or equal	Each	\$62.20	50	\$3,110.00
3.1.14	TruVision DVR 45HD (Video Recorder), or equal	Each	\$1,421.95	10	\$14,219.50
	IP Camera License	Each	\$0.00	620	\$0.00
				Total Bid Amount:	\$389,359.00

Actual Quantities ordered may be more or less than noted on bid form Exhibit A

Vendor Information

Name/Title	Josh Phillips / Outside Sales Rep
Phone	304-768-3600
Fax	304-768-3698
Email	josh.phillips@stateelectric.com

ADDENDUM ACKNOWLEDGEMENT FORM
SOLICITATION NO.: COR180000016

Instructions: Please acknowledge receipt of all addenda issued with this solicitation by completing this addendum acknowledgment form. Check the box next to each addendum received and sign below. Failure to acknowledge addenda may result in bid disqualification.

Acknowledgment: I hereby acknowledge receipt of the following addenda and have made the necessary revisions to my proposal, plans and/or specification, etc.

Addendum Numbers Received:

(Check the box next to each addendum received)

- | | |
|--|--|
| <input checked="" type="checkbox"/> Addendum No. 1 | <input type="checkbox"/> Addendum No. 6 |
| <input type="checkbox"/> Addendum No. 2 | <input type="checkbox"/> Addendum No. 7 |
| <input type="checkbox"/> Addendum No. 3 | <input type="checkbox"/> Addendum No. 8 |
| <input type="checkbox"/> Addendum No. 4 | <input type="checkbox"/> Addendum No. 9 |
| <input type="checkbox"/> Addendum No. 5 | <input type="checkbox"/> Addendum No. 10 |

I understand that failure to confirm the receipt of addenda may be cause for rejection of this bid. I further understand that any verbal representation made or assumed to be made during any oral discussion held between Vendor's representatives and any state personnel is not binding. Only the information issued in writing and added to the specifications by an official addendum is binding.

State Electric Supply Co.

Company

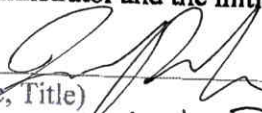

Authorized Signature
3/14/18

Date

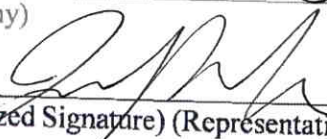
NOTE: This addendum acknowledgment should be submitted with the bid to expedite document processing.

Revised 6/8/2012

DESIGNATED CONTACT: Vendor appoints the individual identified in this Section as the Contract Administrator and the initial point of contact for matters relating to this Contract.


(Name, Title) _____
Josh Phillips Outside Sales Rep
(Printed Name and Title) _____
405 12th St. Durbin, WV 25064
(Address) _____
304-768-3600 / 304-768-3698
(Phone Number) / (Fax Number) _____
josh.phillips@stateelectric.com
(email address) _____

CERTIFICATION AND SIGNATURE: By signing below, or submitting documentation through wvOASIS, I certify that I have reviewed this Solicitation in its entirety; that I understand the requirements, terms and conditions, and other information contained herein; that this bid, offer or proposal constitutes an offer to the State that cannot be unilaterally withdrawn; that the product or service proposed meets the mandatory requirements contained in the Solicitation for that product or service, unless otherwise stated herein; that the Vendor accepts the terms and conditions contained in the Solicitation, unless otherwise stated herein; that I am submitting this bid, offer or proposal for review and consideration; that I am authorized by the vendor to execute and submit this bid, offer, or proposal, or any documents related thereto on vendor's behalf; that I am authorized to bind the vendor in a contractual relationship; and that to the best of my knowledge, the vendor has properly registered with any State agency that may require registration.

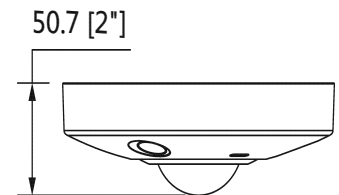
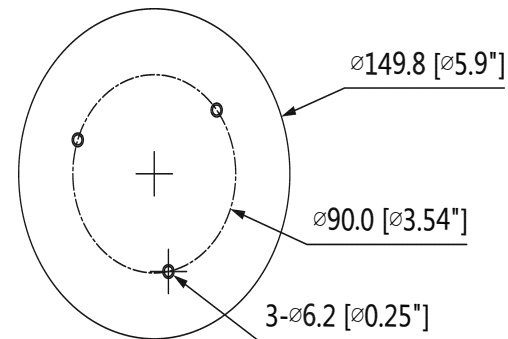
State Electric Supply Co.
(Company) _____

(Authorized Signature) (Representative Name, Title) _____
Josh Phillips Outside Sales Rep
(Printed Name and Title of Authorized Representative) _____
3/14/18
(Date) _____
304-768-3600 / 304-768-3698
(Phone Number) (Fax Number) _____

6MP 360 Degree Hemispheric Camera

- 1/1.8" 6 Megapixel progressive scan STARVIS™ CMOS
- H.265 & H.264 triple-stream encoding
- Maximum 25/30fps at 6MP (3072x2048)
- Multiple De-wrap Mode
- DWDR, Day/Night (ICR), 3DNR, AWB, AGC, BLC
- Smart Detection
- Maximum length of IR LEDs: 10m
- Intelligent Function
- IP67, IK10, PoE



Dimensions(mm)



Popular Mounting Solutions



INSX100
Mount Adapter



INSX105
Mount Adapter



INSX110
Mount Adapter



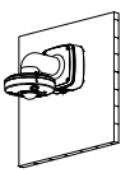
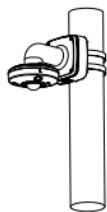
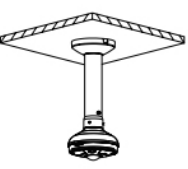
INSX302
Wall Mount



INSX300
Ceiling Mount



INSX152
Pole Mount

Wall Mount	Pole Mount
INSX302 + INSX100	INSX100 + INSX302 + INSX152
	
Ceiling Mount	
INSX105 + INSX110 + INSX300	
	

INSD06IRHEM

Product Specifications



Camera				
Image Sensor	1/1.8" 6MP progressive scan CMOS			
Effective Pixels	3072(H)x2048(V)			
RAM/ROM	1024MB/128MB			
Scanning System	Progressive			
Electronic Shutter Speed	Auto/Manual, 1/3~1/100000s			
Minimum Illumination	0.002Lux/F2.0(Color,1/3s,30IRE); 0.02Lux/F2.0(Color,1/30s,30IRE) 0Lux/F2.0(IR on)			
S/N Ratio	More than 50dB			
IR Distance	Distance up to 10m(33ft)			
IR LEDs	3			
Camera Features				
Day/Night	Auto(ICR) / Color / B/W			
Backlight Compensation	BLC / HLC / DWDR			
White Balance	Auto/Natural/Street Lamp/Outdoor/Manual			
Gain Control	Auto/Manual			
Noise Reduction	3D DNR			
Digital Zoom	16x			
Privacy Masking	4 Areas			
Lens				
Lens Type	Fixed			
Mount Type	Board-in			
Focal Length	1.7mm			
Max. Aperture	F2.0			
Viewing Angle	H: 180°, V:180°			
Optical Zoom	N/A			
Focus Control	Fixed			
Pan/Tilt/Rotation	Pan:0° ~360° ;Tilt:0° ~90° ;Rotation:0° ~360°			
DORI Distance	Detect	Observe	Recognize	Identify
	28m(92ft)	11m(36ft)	6m(19ft)	3m(9ft)
Video				
Compression	H.265/H.264			
Resolution	6M(3072x2048)/ 4M(2048x2048)/ 3M(2048x1536)/ UXGA(1600x1200)/ 1.3M(1280x960)/ D1(704x576/704x480)/ CIF(352x288/352x240)			
Frame Rate	Main Stream: 6M(1~25/30fps)			
	Sub Stream: D1(1 ~ 25/30fps)			
	Third Stream: 1.3M(1 ~ 25/30fps)			
Bit Rate	H.265: 3Kbps~ 9984Kbps; H.264: 8Kbps~ 16384Kbps			
Audio				
Compression	G.711a/G.711Mu/AAC/ G.726			

INSDO6IRHEM

Product Specifications



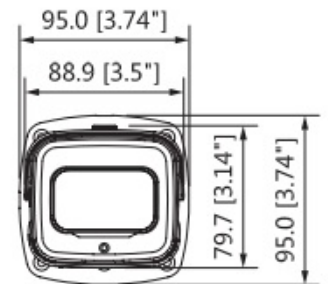
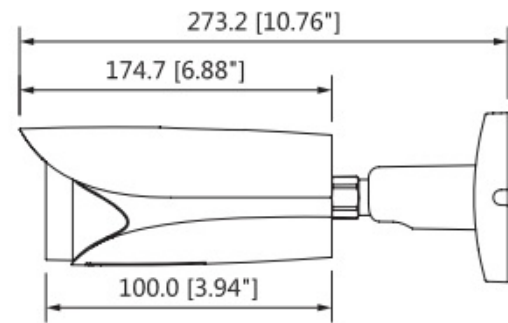
Network	
Ethernet	RJ-45 (100/1000Base-T)
Protocol	HTTP;HTTPS;TCP;ARP;RTSP;RTP;UDP;SMTP;FTP;DHCP;DNS;DDNS;PPPOE;IPv4/v6;QoS;UPnP;NTP;Bonjour;802.1x;Multicast;ICMP;IGMP;SNMP
Compatibility	ONVIF, PSIA, CGI
Maximum User Access	10/20 Users
Smart Phone	iOS, Android
Interface	
Video Interface	N/A
Audio Interface	1/1 channel In/Out, 1 Built-in Mic
RS485	N/A
Alarm	2 channel In: 5mA 5VDC 2 channel Out: 1A 30VDC / 0.5A 50VAC
General	
Power Supply	DC12V, PoE (802.3af)(Class 0)
Power Consumption	<12W
Working Environment	-30° C ~ +60° C (-22° F ~ +140° F) / Less than 95% RH
Ingress Protection	IP67
Vandal Protection	IK10
Dimensions	Φ149.8mm×50.7mm(Φ5.9"×2")

6MP WDR IR Bullet Network Camera

- 1/2.9" 6Megapixel progressive scan STARVIS™ CMOS
- H.265&H.264 triple-stream encoding
- 20fps@6M(3072×2048),25/30fps@4M(2688×1520)
- Day/Night(ICR), 3DNR, AWB, AGC, BLC
- Multiple network monitoring: Web viewer, STORM VMS
- 2.7mm ~13.5mm motorized lens
- Maximum length of IR LEDs: 50m
- IP67, IK10, PoE
- Micro SD card memory



Dimensions(mm)



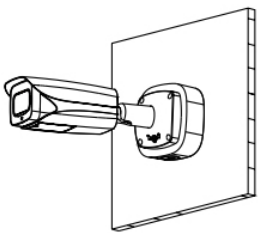
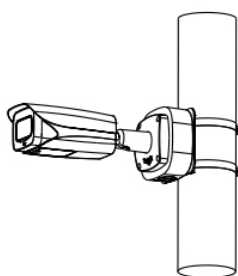
Popular Mounting Solutions



INSX121



INSX152

Junction Mount	Pole Mount
INSX121	INSX121 + INSX152
	

INSBO6IRA

Product Specifications



Camera					
Image Sensor	1/2.9" 6Megapixel progressive scan CMOS				
Effective Pixels	3072(H)x2048(V)				
RAM/ROM	512MB/32MB				
Scanning System	Progressive				
Electronic Shutter Speed	Auto/Manual, 1/3~1/100000s				
Minimum Illumination	0.03Lux/F1.4 (Color,1/3s,30IRE); 0.3Lux/F1.4 (Color,1/30s,30IRE); 0Lux/F1.4(IR on)				
S/N Ratio	More than 50dB				
IR Distance	Distance up to 50m (164ft)				
IR On/Off Control	Auto/ Manual				
IR LEDs	4				
Camera Features					
Day/Night	Auto(ICR) / Color / B/W				
Blacklight Compensation	BLC / HLC / WDR				
White Balance	Auto/Natural/Street Lamp/Outdoor/Manual				
Gain Control	Auto/Manual				
Noise Reduction	3D DNR				
Smart IR	Support				
Digital Zoom	16x				
Privacy Masking	4 Areas				
Lens					
Lens Type	Motorized/ Auto Iris(DC)				
Mount Type	Board-in				
Focal Length	2.7mm~13.5mm				
Max. Aperture	F1.4				
Viewing Angle	H:91°~27° , V:58°~18°				
Focus Control	Motorized				
Pan/Tilt/Rotation	Pan:0°~360°; Tilt:0°~90°; Rotation:0°~360°				
DORI Distance	Lens	Detect	Observe	Recognize	Identify
	W	79m(259ft)	32m(105ft)	16m(52ft)	8m(41ft)
	T	256(840ft)	102m(334ft)	51m(167ft)	25m(84ft)
Video					
Compression	H.265+/H.265/H.264+/H.264				
Resolution	6M(3072x2048)/5M(3072x1728)/ 5M(2592x1944)/ 4M(2688x1520)/ 3M(2048x1536)/ 3M(2304x1296)/ 1080P(1920x1080)/1.3M(1280x960)/ 720P(1280x720)/ D1(704x576/704x480)/ VGA(640x480)/ CIF(352x288/352x240)				
Frame Rate	Main Stream: 6M(1~20fps)/4M(1~25/30fps)				
	Sub Stream: D1 (1 ~ 25/30fps)				
	Third Stream: 720P(1~25/30fps)				
Bit Rate	H.264: 24K ~ 10240Kbps H.265: 14K ~ 9984Kbps				
Audio					
Compression	G.711a/ G.711Mu/ AAC/ G.726				

INSBO6IRA

Product Specifications



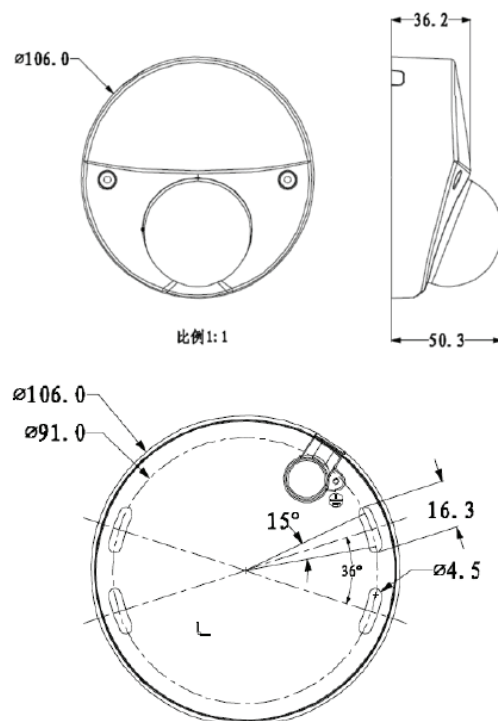
Intelligent	
IVS	Tripwire, Intrusion, Object Abandoned/Missing
Adv. Intelligent Functions	Face Detection
Network	
Ethernet	RJ-45 (10/100Base-T)
Protocol	HTTP;HTTPS;TCP;ARP;RTSP;RTP;UDP;SMTP;FTP; DHCP;DNS;DDNS;PPPOE;IPv4/v6;QoS;UPnP;NTP; Bonjour;802.1x;Multicast;IGMP;SNMP
Compatibility	ONVIF, PSIA, CGI
Maximum User Access	10 Users/20 Users
Smart Phone	iOS, Android
Interface	
Video Interface	N/A
Audio Interface	1/1 channel In/Out
RS485	N/A
Alarm	2 channel In: 5mA 5VDC 1 channel Out: 300mA 12VDC
General	
Power Supply	DC12V, PoE (802.3af)(Class 0)
Power Consumption	<12.95W
Working Environment	30° C ~ +60° C (-22° F ~ +140° F) / Less than 95% RH
Ingress Protection	IP67
Vandal Protection	IK10
Dimensions	273.2mm×95.0mm×95.0mm (10.76"×3.74"×3.74")



4MP WDR IR mini Dome Network Camera w/ fixed lens.

- 1/3" 4 megapixel progressive scan CMOS
- H.265+&H.264+ triple-stream encoding
- 25/30fps@4M(2688×1520)
- Smart Detection supported
- WDR (120dB), Day/Night (ICR), 3DNR, AWB, AGC, BLC
- Multiple network monitoring: Web viewer, STORM VMS
- 2.8mm fixed lens
- Maximum length of IR LEDs: 20m
- Micro SD memory IP67, IK10, PoE

Dimensions (mm)



Popular Mounting Solutions






Junction Box
INSX139



Wall
INSX204



Pole
INSX152

Junction Mount	Pole Mount
INSX139	INSX204 + INSX152
	
Wall Mount	
INSX204	
	

INSWDO4IRWF

Product Specifications



Camera					
Image Sensor	1/3" 4Megapixel progressive scan CMOS				
Effective Pixels	2688(H)x1520(V)				
RAM/ROM	512MB/32MB				
Scanning System	Progressive				
Electronic Shutter Speed	Auto/Manual, 1/3(4)~1/100000s				
Minimum Illumination	0.08Lux/F2.0(Color,1/3s,30IRE); 0.3Lux/2.0(Color,1/30s,30IRE); 0Lux/F2.0(IR on)				
S/N Ratio	More than 50dB				
IR Distance	Distance up to 20m (66ft)				
IR LEDs	10				
Camera Features					
Day/Night	Auto(ICR) / Color / B/W				
Backlight Compensation	BLC / HLC / WDR(120dB)				
White Balance	Auto/Natural/Street Lamp/Outdoor/Manual				
Gain Control	Auto/Manual				
Noise Reduction	3D DNR				
Digital Zoom	16x				
Privacy Masking	4 Areas				
Lens					
Lens Type	Fixed				
Mount Type	Board-in				
Focal Length	2.8mm				
Max. Aperture	F2.0				
Viewing Angle	H: 104° (87°, 55°), V: 57° (48°, 31°)				
Optical Zoom	N/A				
Focus Control	Fixed				
Pan/Tilt/Rotation	Pan:0°~360°; Tilt:0°~90°; Rotation:0°~360°				
DORI	Lens	Detect	Observe	Recognize	Identify
Distance	2.8 mm	63m(207ft)	25m(82ft)	13m(43ft)	6m(20ft)
Video					
Compression	H.265+/H.265/H.264+/H.264				
Resolution	4M(2688x1520)/3M(2304x1296)/1080P(1920x1080)/1.3M(1280x960)/720P(1280x720)/D1(704x576/704x480)/VGA(640x480)/CIF(352x288/352x240)				
Frame Rate	Main Stream: 4M(1~25/30fps)				
	Sub Stream: D1(1~25/30fps)				
	Third Stream: 720P(1~25/30fps)				
Bit Rate	H.264: 24K ~ 10240Kbps; H.265: 14K ~ 9984Kbps				
Audio					
Compression	G.711a/ G.711Mu/ AAC/ G.726				

INSWDO4IRWF

Product Specifications



Intelligence	
IVS	Tripwire, Intrusion, Object Abandoned/Missing
Adv. Intelligent Functions	Face Detection
Network	
Ethernet	RJ-45 (10/100Base-T)
Protocol	HTTP;HTTPS;TCP;ARP;RTSP;RTP;UDP;SMTP;FTP; DHCP;DNS;DDNS;PPPOE;IPv4/v6;QoS;UPnP;NTP; Bonjour;802.1x;Multicast;ICMP;IGMP;SNMP
Compatibility	ONVIF, PSIA, CGI
Maximum User Access	10 Users /20 Users
Smart Phone	iOS, Android
Interface	
Video Interface	N/A
Audio Interface	Built-in Mic
RS485	N/A
Alarm	N/A
General	
Power Supply	DC12V, PoE (802.3af)(Class 0)
Power Consumption	<4.5W
Working Environment	-30° C ~ +60° C (-22° F ~ +140° F) / Less than 95% RH
Ingress Protection	IP67
Vandal Protection	IK10
Dimensions	Φ106mm×50.3mm (4.17"×1.98")



STORM™

by Inaxsys

INSDO5HEM

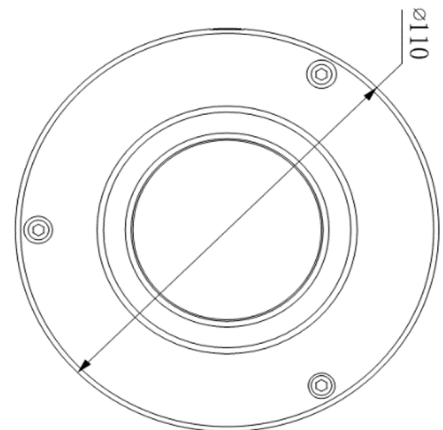
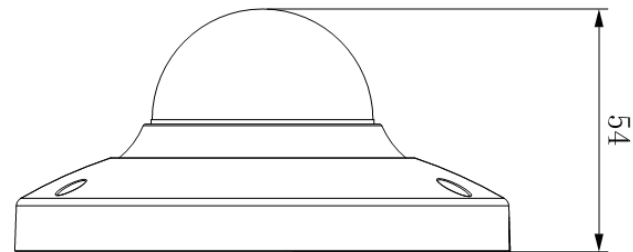
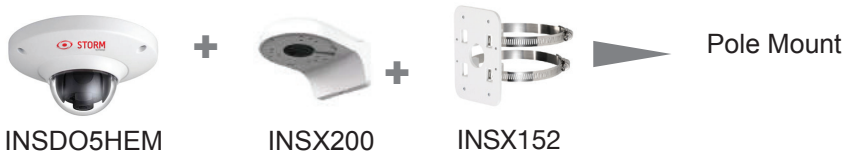
5MP 360° Hemispheric Mini-Dome IP Camera

- 1/3" 5 Megapixel progressive scan CMOS
- H.264 & MJPEG dual-stream encoding
- Max 12fps@5M (2560×1920), 25/30fps@UXGA
- Day/Night (Electronic), 3DNR, AWB, AGC, BLC
- Multiple network monitoring: Web viewer, CMS (DSS/PSS) & DMSS
- 1.42mm fixed lens
- Micro SD memory, IK10, PoE
- Built-in microphone for audio recording



Dimensions (mm)

Popular Mounting Solutions



Junction Box Options



INSDO5HEM

5MP 360° Hemispheric IP Mini-Dome Camera



STORM
by Inaxsys

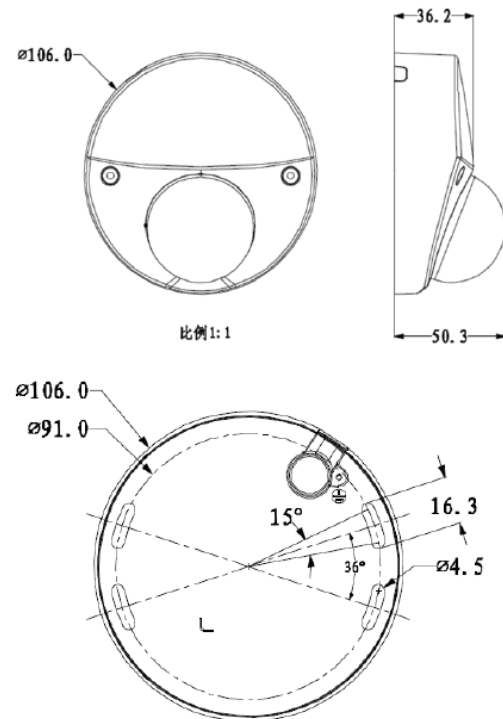
Camera INSDO5HEM		
Image Sensor	1/3" 5 Megapixel progressive scan CMOS	
Effective Pixels	2592(H)x1944(V)	
Electronic Shutter Speed	Auto/Manual 1/3(4)~1/100000s	
Min. Illumination	0.01lux/F2.6(color), 0.001Lux@F2.6(B/W)	
S/N Ratio	More than 50dB	
Camera Features		
Day/Night	Auto (Electronic)/Color/B/W	
Backlight Compensation	BLC/HLC/DWDR	
White Balance / Gain Control	Auto/Manual on Both	
Noise Reduction	3D	
Privacy Masking	Up to 4 areas	
Lens		
Focal Length / Aperture	1.42mm / F2.6	
Angle of View	H:185°	
Lens Type / Focus	Fixed lens / Manual focus	
Video		
Compression	H.264/ MJPEG	
Resolution	5M (2560'1920)/3M (2048x1520)/UXGA (1600x1200)/1.3M (1280x960)/720P (1280x720)/D1 (704x576/704x480)/CIF (352x288/352x240)	
Frame Rates	Main Stream	5M (1~12fps)/ UXGA (1 ~ 25/30fps)
	Sub Stream	D1/CIF (1 ~ 25/30fps)
	Bit Rate	H.264: 20K ~ 8192Kbps
Audio		
Compression	G.711a/G.711u/PCM	
Interface	1/1 channel In/Out (Built in Mic)	
Network		
Ethernet	RJ-45 (10/100Base-T)	
Protocol	IPv4/IPv6, HTTP, HTTPS, SSL, TCP/IP, UDP, UPnP, ICMP, IGMP, SNMP, RTSP, RTP, SMTP, NTP, DHCP, DNS, PPPOE, DDNS, FTP, IP Filter, QoS, Bonjour	
Compatibility	ONVIF, PSIA, CGI	
Max. User Access	20 users	
Smart Phone	iPhone, iPad, Android, Windows Phone	
Auxiliary Interface		
Memory Slot	Micro SD, Max 64GB	
Alarm	1/1 channel In/Out	
General		
Power Supply / Consumption	DC12V, PoE / Max 6W	
Working Environment	-30°C~+60°C, Less than 95% RH	
Vandal Resistance	IK10	
Dimensions / Weight	110mmx54mm 0.25kg	



2MP WDR IR mini Dome Network Camera w/ fixed lens

- 1/2.8" 2Megapixel progressive scan STARVIS™ CMOS
- H.265+&H.264+ triple-stream encoding
- 50/60fps@2M(1920×1080)
- Smart Detection supported
- WDR (120dB), Day/Night (ICR), 3DNR, AWB, AGC, BLC
- Multiple network monitoring: Web viewer, STORM VMS
- 2.8mm fixed lens
- Maximum length of IR LEDs: 20m
- Micro SD memory, IP67, IK10, PoE

Dimensions (mm)



Popular Mounting Solutions






Junction Box
INSX139



Wall
INSX204



Pole
INSX152

Junction Mount	Pole Mount
INSX139	INSX204 + INSX152
	
Wall Mount	
INSX204	
	

INSWDO2IRWF

Product Specifications



Camera					
Image Sensor	1/2.8" 2Megapixel progressive scan CMOS				
Effective Pixels	1920(H)x1080(V)				
RAM/ROM	256MB/32MB				
Scanning System	Progressive				
Electronic Shutter Speed	Auto/Manual, 1/3(4)~1/100000s				
Minimum Illumination	0.009Lux/F2.0(Color,1/3s,30IRE); 0.07Lux/2.0(Color,1/30s,30IRE); 0Lux/F2.0(IR on)				
S/N Ratio	More than 50dB				
IR Distance	Distance up to 20m (66ft)				
IR LEDs	10				
Camera Features					
Day/Night	Auto(ICR) / Color / B/W				
Backlight Compensation	BLC / HLC / WDR(120dB)				
White Balance	Auto/Natural/Street Lamp/Outdoor/Manual				
Gain Control	Auto/Manual				
Noise Reduction	3D DNR				
Digital Zoom	16x				
Privacy Masking	4 Areas				
Lens					
Lens Type	Fixed				
Mount Type	Board-in				
Focal Length	2.8mm				
Max. Aperture	F2.0				
Viewing Angle	H: 110° (87°, 51°), V:58° (48°, 30°)				
Optical Zoom	N/A				
Focus Control	Fixed				
Pan/Tilt/Rotation	Pan:0°~60°; Tilt:0°~80°; Rotation:0°~360°				
DORI Distance	Lens	Detect	Observe	Recognize	Identify
	2.8 mm	44m(144ft)	17m(56ft)	9m(30ft)	4m(13ft)
Video					
Compression	H.265+/H.265/H.264+/H.264				
Resolution	1080P(1920x1080)/1.3M(1280x960)/720P(1280x720)/D1(704x576/704x480)/VGA(640x480)/CIF(352x288/352x240)				
Frame Rate	Main Stream: 1080P (1~50/60fps)				
	Sub Stream: D1(1~25/30fps)				
	Third Stream: 1080P(1~25/30fps)				
Bit Rate	H.264: 24~9472Kbps; H.265: 14~5632Kbps				
Audio					
Compression	G.711a/ G.711Mu/ AAC/ G.726				

INSWDO2IRWF

Product Specifications



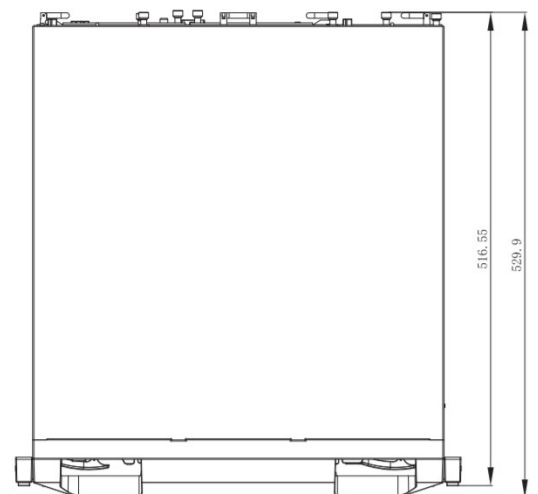
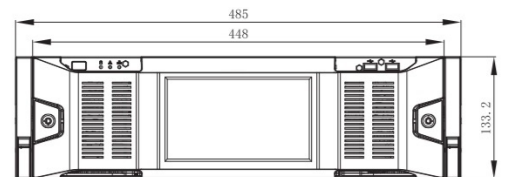
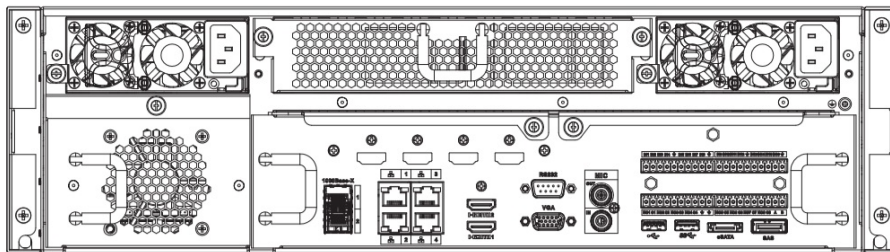
Intelligence	
IVS	Tripwire, Intrusion, Object Abandoned/Missing
Adv. Intelligent Functions	Face Detection
Network	
Ethernet	RJ-45 (10/100Base-T)
Protocol	HTTP;HTTPS;TCP;ARP;RTSP;RTP;UDP;SMTP;FTP; DHCP;DNS;DDNS;PPPOE;IPv4/v6;QoS;UPnP;NTP; Bonjour;802.1x;Multicast;ICMP;IGMP;SNMP
Compatibility	ONVIF, PSIA, CGI
Maximum User Access	10 Users /20 Users
Smart Phone	iOS, Android
Interface	
Video Interface	N/A
Audio Interface	Built-in Mic
RS485	N/A
Alarm	N/A
General	
Power Supply	DC12V, PoE (802.3af)(Class 0)
Power Consumption	<4.5W
Working Environment	-30° C ~ +60° C (-22° F ~ +140° F) / Less than 95% RH
Ingress Protection	IP67
Vandal Protection	IK10
Dimensions	Φ106mm×50.3mm (4.17"×1.98")

128 CHANNEL 16 BAY 4K NVR

- Intel Processor
- Max 64/128 IP Camera Inputs
- Max 384Mbps Incoming Bandwidth
- Up to 12MP Resolution for Preview and Playback
- Supports RAID 0/1/5/6/10
- iSCSI and Mini SAS for Expanded Storage Space
- Smart Tracking and Intelligent Video
- Redundant Power & 7-inch HD LCD Monitor



System Drawing



INS128164K

Product Specifications



System	
Main Processor	Intel Quad-core Processor
Operating System	Embedded LINUX
Audio and Video	
IP Camera Input	64/128 Channel
Two-way Talk	1 Channel Input, 1 Channel Output, RCA
Display	
Interface	2 HDMI (up to 3840 x 2160 , Different Source), 1 VGA 4 HDMI (Optional)
Resolution	3840 x 2160 , 1920 x 1080 , 1280 x 1024, 1280 x 720 , 1024 x 768
Multi-screen Display	1st Screen: 1/4/8/9/16/25/36 2nd Screen: 1/4/8/9/16
OSD	Camera title, Time, Video loss, Camera lock, Motion detection, Recording
Recording	
Compression	H.265/H.264/MJPEG
Resolution	12MP, 8MP, 6MP, 5MP, 4MP, 3MP, 1080P, 1.3MP, 720P etc.
Record Rate	384Mbps
Bit Rate	16Kbps ~ 20Mbps Per Channel
Record Mode	Manual, Schedule (Regular, MD (Motion Detection), Alarm, IVS), Holiday, Stop
Record Interval	1 ~ 120 min (default: 60 min), Pre-record: 1 ~ 30 sec, Post-record: 10 ~ 300 sec
Video Detection and Alarm	
Trigger Events	Recording, PTZ, Tour, Alarm Out, Video Push, Email, FTP, Snapshot, Buzzer and Screen Tips
Video Detection	Motion Detection, MD Zones: 396 (22 x 18), Video Loss and Tampering
Alarm input	16 Channel, Low Level Effective, Green Terminal Interface
Relay Output	8 Channel, NO/NC Programmable, Green Terminal Interface
Tracking Trigger Event	Zoom, Tracking, Recording, Preset, Snapshot, Alarm, etc.
Playback and Backup	
Playback	128 Mbps in Raid 5 Mode; 64 Mbps in single HDD Mode
Search Mode	Time /Date, Alarm, MD and Exact Search (accurate to second)
Playback Function	Play, Pause, Stop, Rewind, Fast play, Slow Play, Next File, Previous File, Next Camera, Previous Camera, Full Screen, Repeat, Shuffle, Backup Selection, Digital Zoom
Backup Mode	USB Device/Network/eSATA Device
Third-party Support	
Third-party Support	Dahua, Arecont Vision, AXIS, Bosch, Brickcom, Canon, CP Plus, Dynacolor, Honeywell, Panasonic, Pelco, Samsung, Sanyo, Sony, Videotec, Vivotek, and more

INS128164K

Product Specifications



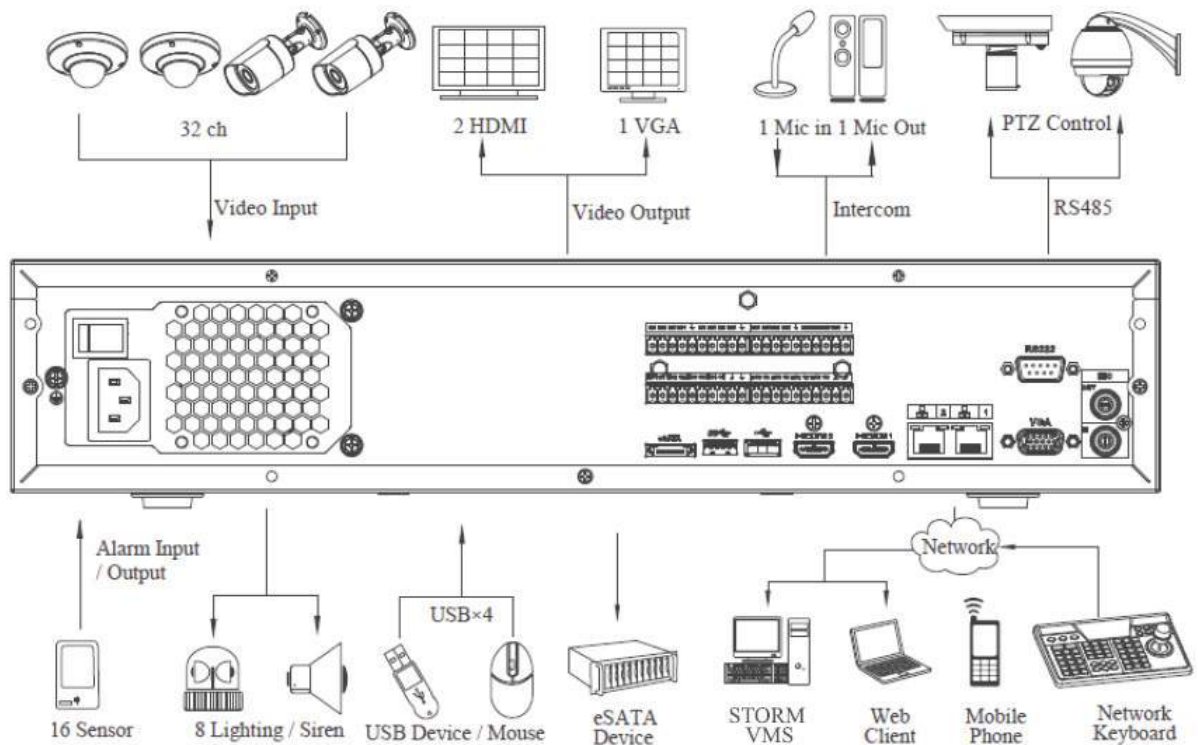
Network	
Interface	4 RJ-45 Ports (10/100/1000Mbps)
Ethernet Port	4 Ethernet Ports Joint Working or 4 Independent 1000Mbps Ethernet Ports
PoE	N/A
Network Function	HTTP, HTTPs, TCP/IP, IPv4/IPv6, UPnP, RTSP, UDP, SMTP, NTP, DHCP, DNS, IP Filter, PPPoE, DDNS, FTP, Alarm Server, IP Search (Support Dahua IP camera, DVR, NVS, etc.)
Optical Fiber Interface	2 Giga Optical Fiber Interface
Max. User Access	128 users
Smart Phone	iPhone, iPad, Android
Interoperability	ONVIF 2.4, CGI Conformant
Storage	
Internal HDD	16 SATA III Ports, Up to 8 TB capacity for each HDD
HDD Mode	Single, Raid 0/1/5/6/10(Enterprise-level HDDs are recommended), Support Global HDD Hot-spare
eSATA	1 eSATA Port (Please contact technical engineer to confirm the compatible device)
SAS	1 Mini SAS Port, for Storage Expansion
Auxiliary Interface	
Front Cover	Support Hot-swap, 7-inch HD LCD (1920 × 1080 , 1280 × 1024, 1024 × 768)
USB	4 USB Ports (2 USB 2.0 , 2 USB 3.0)
RS232	1 Port, for PC Communication and Keyboard
RS485	1 Port, for PTZ Control
Electrical	
Power Supply	AC100V ~ 240V, 50 ~ 60 Hz, Redundant
Power Consumption	<51W (Without HDD)
Environmental	
Operating Conditions	-10°C ~ +55°C (+14°F ~ +131°F), 86 ~ 106kpa
Storage Conditions	20°C ~ +70°C (-4°F ~ +158°F), 0 ~ 90% RH
Construction	
Dimensions	3U, 485mm x 529.9mm x 133.2mm (19.1" x 20.9"x 5.2")



32CH 4K Network Video Recorder

- Maximum of 32 IP cameras supported
- Maximum 384 Mbps incoming bandwidth
- Up to 12MP resolution in preview & playback
- 1 VGA+2 HDMI
- Supports RAID 0 / 1 / 5 / 6 / 10 / 50 / 60
- Supports N+M hot standby
- Supports iSCSI to expand storage space
- All channels synchronous realtime playback, GRID interface
- Supports multiple brands of network cameras
- Supports 8 SATA HDDs up to 48TB
- 4 USB ports (3 USB 2.0, 1 USB 3.0)
- 1 eSATA port
- Multiple network monitoring: Web viewer, STORM CMS
- ONVIF Version 2.4 conformance

System Connection



INS324K

Product Specifications



System	
Main Processor	Intel Processors
Operating System	LINUX
Video & Audio	
IP Camera Inputs	32 channels
Two-way Voice	1channel Input, 1channel Output, RCA
Display	
Interface	2 HDMI (up to 3840 × 2160), 1 VGA
Resolution	3840 × 2160, 1920 × 1080, 1280 × 1024, 1280 × 720, 1024 × 768
Multi-screen Display	The 1 st screen: 1 / 4 / 8 / 9 / 16 / 25 / 36; the 2 nd screen: 1 / 4 / 8 / 9 / 16
OSD	Camera title, Time, Video loss, Camera lock, Motion detection, Recording
Recording	
Compression	H.264H / H.264 / MJPEG
Resolution	12MP, 8MP, 6MP, 5MP, 3MP, 1080P, 1.3MP, 720P, etc.
Recording Rate	256 Mbps
Bit Rate	1~ 20 Mbps
Recording Mode	Manual, Schedule (Regular (Continuous), MD (Video detection: Motion detection, Camera blank, Video loss), Alarm), Stop
Recording Interval	1~120 min (default: 60min), Pre-record: 1~30 sec, Post-record: 10~300 sec
Video Detection & Alarm	
Trigger Events	Recording, PTZ, Tour, Alarm out, Video Push, Email, FTP, Snapshot, Buzzer & Screen tips
Video Detection	Motion Detection, MD Zones: 396 (22×18), Video Loss & Camera Obscured
Alarm Input	16ch
Relay Output	8ch, Relay contact (1A at 24VDC), NO/NC programmable, green terminal interface
Playback & Backup	
Playback	128Mbps in Raid 5 mode, 64Mbps in single HDD mode
Search Mode	Time/Date, Alarm, MD & Exact search (accurate to second), Smart search
Playback Function	Play, Pause, Stop, Rewind, Fast play, Slow play, Next file, Previous file, Next camera, Previous camera, Full screen, Repeat, Shuffle, Backup selection, Digital zoom
Backup Mode	USB Device / Network / eSATA Device
Network	
Interface	2 RJ-45 ports (10/100/1000Mbps)
Ethernet Port	2 Ethernet ports jointly working or 2 independent 1000 Mbps Ethernet ports
Network Function	HTTP, TCP/IP, IPv4/IPv6, UPnP, RTSP, UDP, SMTP, NTP, DHCP, DNS, IP Filter, PPPoE, DDNS, FTP, Alarm Server, IP Search
Maximum User Access	128 users
Smart Phone	iPhone, iPad, Android, Windows Phone
Storage	
Internal HDD	8 SATA 3 ports, up to 48TB
HDD Mode	Single, Raid 0 / 1 / 5 / 6 / 10 / 50 / 60 (Support global HDD hot-spare)
Auxiliary Interface	
USB	4 USB ports (3 USB 2.0, 1 USB 3.0)
eSATA	1 eSATA port
RS232	1 port, For PC communication & keyboard
RS485	1 port, For PTZ control
General	
Power Supply	AC110V~240V, 50~60Hz, Less than 40W (without HDD)
Working Environment	-10°C to +55°C / 10% to 90% RH / 86 to 106kpa
Dimension / Weight	482mm × 450mm × 91mm / 9 kg (without HDD)

32CH 4K Network Video Recorder Model Numbers:

INS324K4T: 32CH 4K Network Video Recorder **W/4TB** of Storage
INS324K6T: 32CH 4K Network Video Recorder **W/6TB** of Storage
INS324K8T: 32CH 4K Network Video Recorder **W/8TB** of Storage
INS324K10T: 32CH 4K Network Video Recorder **W/10TB** of Storage
INS324K12T: 32CH 4K Network Video Recorder **W/12TB** of Storage
INS324K16T: 32CH 4K Network Video Recorder **W/16TB** of Storage
INS324K20T: 32CH 4K Network Video Recorder **W/20TB** of Storage

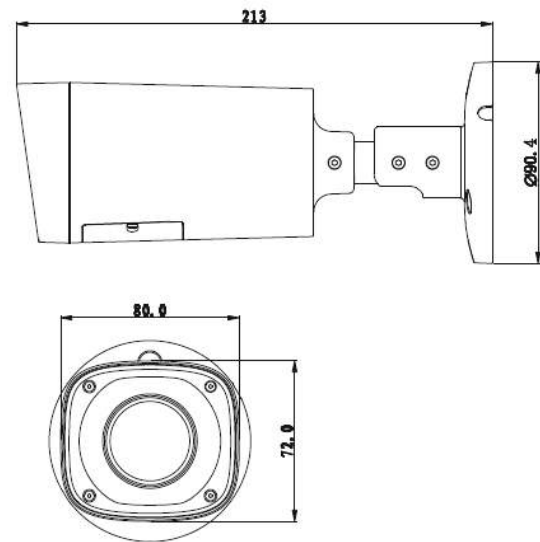
INS324K24T: 32CH 4K Network Video Recorder **W/24TB** of Storage
INS324K28T: 32CH 4K Network Video Recorder **W/28TB** of Storage
INS324K32T: 32CH 4K Network Video Recorder **W/32TB** of Storage
INS324K36T: 32CH 4K Network Video Recorder **W/36TB** of Storage
INS324K40T: 32CH 4K Network Video Recorder **W/40TB** of Storage
INS324K44T: 32CH 4K Network Video Recorder **W/44TB** of Storage
INS324K48T: 32CH 4K Network Video Recorder **W/48TB** of Storage



2.4MP HDCVI Bullet Camera with Autofocus and IR

- 1/2.8" 2.4 Megapixel CMOS
- 25/30fps at 1080P, 25/30/50/60fps at 720P
- High speed, long distance real-time transmission over COAX
- 1080P and standard definition switchable
- OSD Menu, control over coaxial cable
- DWDR, Day/Night (ICR), AWB, AGC, BLC, 3D-DNR
- 2.7~12mm motorized lens with autofocus
- Maximum length of IR LEDs: 30m, Smart IR
- IP67, DC12V
- Outdoor / Indoor

Dimensions(mm)



Popular Mounting Solutions



+



JUNCTION BOX

INSBO24IRCA

INSX135



+



+



POLE MOUNT

INSBO24IRCA

INSX135

INSX150

Accessories



INSXBALUN



Power Supply:

- SW1205-4CB
- SW1205-8CB
- SW1210-8CB
- SW1210-16CB

INSBO24IRCA

Product Specifications



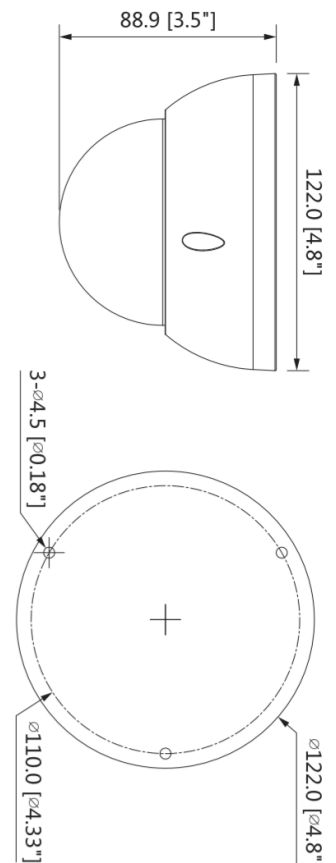
Camera	
Image Sensor	1/2.8" 2.4 Megapixel CMOS
Effective Pixels	1984(H) × 1225(V)
Electronic Shutter	1/3s~1/100,000s
Video Frame Rate	25/30/50/60fps at 720P; 25/30fps at 1080P
Synchronization	Internal
Minimum Illumination	0.05 Lux at F1.2 (AGC ON), 0 Lux IR on
Video Output	1-channel BNC HDCVI high definition video output / CVBS standard definition video output (Can switch)
Camera Features	
Maximum length of IR LEDs	30m, Smart IR
Day/Night	Auto (ICR) / Color / B/W
Noise Reduction	2D/3D
OSD Menu	Support
Lens	
Focal Length	2.7~12mm
Viewing Angle	H: 105.5°
Lens Type	Motorized / Fixed Iris
Mount Type	14
General	
Power Supply	DC12V±10%
Power Consumption	Maximum 7.5W
Working Environment	-30°C to +60°C / Less than 95% RH (no condensation)
Transmission Distance	Over 500m via 75-3 coaxial cable
Ingress Protection	IP67
Dimensions (W×D×H)	213mm × 80mm × 72mm
Weight	0.55 kg
Material	Metal

2MP 1080P Universal HDCVI Dome Camera with IR

- 1/2.7" 2 megapixels CMOS
- Maximum 30fps at 1080P
- Control over coaxial cable (or twisted pair with balun)
- Day/Night(ICR), AGC, BLC, HLC / DWDR
- 2.7- 13.5mm Varifocal lens
- Maximum length of IR LEDs: 30m, Smart IR
- IP67, IK10, DC12V
- HD and SD output switchable



Dimensions (mm)



Popular Mounting Solutions



INSX137



INSX203



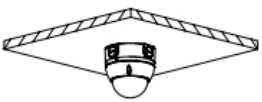
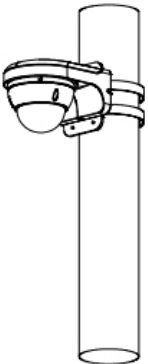
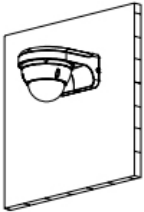
INSX152



INSXUFC



INSXBALUN

Junction Mount	Pole Mount
INSX137	INSX203 + INSX152
	
Wall Mount	
INSX203	
	

INSDO2IRUV

Product Specifications



Camera					
Image Sensor	1/2.7" 2 Megapixel progressive scan CMOS				
Effective Pixels	1920(H) x 1080(V)				
Scanning System	Progressive				
Electronic Shutter Speed	PAL: 1/25~1/100000s NTSC: 1/30~1/100000s				
Minimum Illumination	0.02Lux/F1.3, 30IRE, 0Lux IR on				
S/N Ratio	More than 65dB				
IR Distance	Up to 30m (98feet)				
IR LEDs	2				
Camera Features					
Day/Night	Auto (ICR) / Manual				
Blacklight Compensation	BLC / HLC / DWDR				
White Balance	Auto/Natural/Street Lamp/Outdoor/Manual				
Gain Control	AGC				
Noise Reduction	2D				
White Balance	Auto / Manual				
Smart IR	Auto / Manual				
Lens					
Lens Type	Vari-focal lens / Fixed iris				
Mount Type	Board-in				
Focal Length	2.7-13.5mm				
Max. Aperture	F1.3				
Viewing Angle	H: 106°~30°				
Focus Control	Manual				
Pan/Tilt/Rotation	Pan:0°~355°; Tilt:0°~75°; Rotation:0°~355°				
DORI Distance	Lens	Detect	Observe	Recognize	Identify
	W	45m(148ft)	18m(59ft)	9m(30ft)	5m(15ft)
	T	148m(486ft)	59m(194ft)	30m(97ft)	15m(49ft)
Video					
Resolution	1080P (1920x1080)				
Frame Rate	25/30fps@1080P, 25/30/50/60fps@720P				
Video Output	1-channel BNC high definition video output / CVBS video output (Can switch)				
Interface					
Video Interface	N/A				
Audio Interface	N/A				
General					
Power Supply	12V DC ±25%				
Power Consumption	Max 3.4W (12V DC, IR on)				
Working Environment	-40°C ~ +60°C (-40°F ~ +140°F) / Less than 90% RH				
Ingress Protection	IP67				
Vandal Protection	IK10				
Dimensions	Φ122mmx88.9mm (Φ4.8"x3.5")				

8 channel Mini 1U Universal Video Recorder (UVR)

- Supports HDCVI/ AHD/ TVI/ CVBS and IP video inputs
- H.264+ and H.264 dual stream video compression
- 1080P non-realtime recording
- Each channel supports up to 5 megapixels
- HDMI and VGA simultaneous video outputs
- Supports 1 SATA HDD, 8TB



INS81UVR

Product Specification

System	
Main Processor	Embedded Processor
Operating System	Embedded LINUX
Video & Audio	
IP Camera Inputs	8 channels
Audio	Audio in and out
Display	
Interface	1 HDMI, 1 VGA
Resolution	1920 × 1080 , 1280 × 1024, 1280 × 720 , 1024 × 768
Multi-screen display	1/ 4/ 8/ 9/ 16
OSD	Camera title, Time, Video loss, Camera lock, Motion detection, Recording
Recording	
Compression	H.264+ / H.264
Resolution	1080P, 720P, 960H, D1, HD1, BCIF, CIF, QCIF
Recording Rate	Main stream: 1080P(1-15fps) 720P/ 960H/ D1/ HD1/ BCIF/ CIF/ QCIF (1-25/30fps) Sub stream: D1/ CIF/ QCIF (1-25/30fps)
Bit Rate	1Kbps - 6144Kbps per channel
Recording Mode	Manual, Scheduled (Regular, Continuous), MD (Video detection: Motion Detection, Camera Blank, Video Loss), Alarm, Stop
Recording Interval	1 - 60 min (default: 60 min), Pre-record: 1 - 30 sec, Post-record: 10 - 300 sec

INS81UVR

Product Specification



Video Detection & Alarm	
Trigger Events	Recording, PTZ, Tour, Alarm Out, Video Push, Email, FTP, Snapshot, Buzzer and Screen Tips
Video Detection	Motion Detection, MD Zones: 396 (22 × 18), Video Loss, Tampering and Diagnosis
Playback & Backup	
Sync Playback	1/ 4/ 9
Search Mode	Time / Date, Alarm, MD and Exact Search (accurate to second)
Playback Functions	Play, Pause, Stop, Rewind, Fast play, Slow Play, Next File, Previous File, Next Camera, Previous Camera, Full Screen, Repeat, Shuffle, Backup Selection, Digital Zoom
Backup Mode	USB Device/Network
Network	
Interface	1 RJ-45 Port (100Mbps)
Network Functions	HTTP, TCP/IP, IPv4/IPv6, UPnP, RTSP, UDP, SMTP, NTP, DHCP, DNS, IP Filter, PPPoE, DDNS, FTP, Alarm Server, P2P, IP Search (Support STORM IP camera, DVR, NVS, etc.)
Maximum user access	128 users
Smart Phone	iPhone, iPad, Android
Storage	
Internal HDD	1 SATA Port, up to 8TB capacity
USB	2.0 USB
General	
Power Supply	DC12V/2A
Power Consumption	More than 10W (without HDD)
Working Environment	-10°C to 55°C (14°F to 131°F), 86 - 106kpa
Dimension (W×D×H)	Mini 1U, 325mm × 255mm × 55mm
Weight	1.5kg (3.3 lb) (without HDD)

8 channels Mini 1U Universal Video Recorder (UVR):

- INS81UVR:** 8 channels with no TB of storage
- INS81UVR2T:** 8 channels with **2TB** of storage
- INS81UVR4T:** 8 channels with **4TB** of storage
- INS81UVR6T:** 8 channels with **6TB** of storage
- INS81UVR8T:** 8 channels with **8TB** of storage

16 channel Mini 1U Universal Video Recorder (UVR)

- Supports HDCVI/ AHD/ TVI/ CVBS and IP video inputs
- H.264+ and H.264 dual stream video compression
- 1080P non-realtime recording
- Each channel supports up to 5 megapixels
- HDMI and VGA simultaneous video outputs
- Supports 1 SATA HDD, 8TB



INS161UVR

Product Specification

System	
Main Processor	Embedded Processor
Operating System	Embedded LINUX
Video & Audio	
IP Camera Inputs	16 channels analog and 8 channels IP
Audio	Audio in and out
Display	
Interface	1 HDMI, 1 VGA
Resolution	1920 × 1080 , 1280 × 1024, 1280 × 720 , 1024 × 768
Multi-screen display	1/ 4/ 8/ 9/ 16/ 25
OSD	Camera title, Time, Video loss, Camera lock, Motion detection, Recording
Recording	
Compression	H.264+ / H.264
Resolution	1080P, 720P, 960H, D1, HD1, BCIF, CIF, QCIF
Recording Rate	Main stream: 1080P(1-15fps) 720P/ 960H/ D1/ HD1/ BCIF/ CIF/ QCIF (1-25/30fps) Sub stream: D1/ CIF/ QCIF (1-25/30fps)
Bit Rate	1Kbps - 6144Kbps per channel
Recording Mode	Manual, Scheduled (Regular, Continuous), MD (Video detection: Motion Detection, Camera Blank, Video Loss), Alarm, Stop
Recording Interval	1 - 60 min (default: 60 min), Pre-record: 1 - 30 sec, Post-record: 10 - 300 sec

INS161UVR

Product Specification



Video Detection & Alarm	
Trigger Events	Recording, PTZ, Tour, Alarm Out, Video Push, Email, FTP, Snapshot, Buzzer and Screen Tips
Video Detection	Motion Detection, MD Zones: 396 (22 × 18), Video Loss, Tampering and Diagnosis
Playback & Backup	
Sync Playback	1/ 4/ 9/ 16
Search Mode	Time / Date, Alarm, MD and Exact Search (accurate to second), Smart Search
Playback Functions	Play, Pause, Stop, Rewind, Fast play, Slow Play, Next File, Previous File, Next Camera, Previous Camera, Full Screen, Repeat, Shuffle, Backup Selection, Digital Zoom
Backup Mode	USB Device/Network
Network	
Interface	1 RJ-45 Port (100Mbps)
Network Functions	HTTP, TCP/IP, IPv4/IPv6, UPnP, RTSP, UDP, SMTP, NTP, DHCP, DNS, IP Filter, PPPoE, DDNS, FTP, Alarm Server, P2P, IP Search (Support STORM IP camera, DVR, NVS, etc.)
Maximum user access	128 users
Smart Phone	iPhone, iPad, Android
Storage	
Internal HDD	1 SATA Port, up to 8TB capacity
USB	1 USB 2.0
General	
Power Supply	DC12V/2A
Power Consumption	More than 10W (without HDD)
Working Environment	-10°C to 55°C (14°F to 131°F), 86 - 106kpa
Dimension (W×D×H)	Mini 1U, 325mm × 255mm × 55mm
Weight	1.5kg (3.3 lb) (without HDD)

16 channels Mini 1U Universal Video Recorder

- INS161UVR:** 16 channels with no TB of storage
- INS161UVR2T:** 16 channels with **2TB** of storage
- INS161UVR4T:** 16 channels with **4TB** of storage
- INS161UVR6T:** 16 channels with **6TB** of storage
- INS161UVR8T:** 16 channels with **8TB** of storage