

For The West Virginia Division of Public Transit

Request for Quotation:

State of West Virginia

OPEN END CONTRACT FOR 138" WHEELBASE DRW CUTAWAY
VEHICLE



Rohrer Enterprises, Inc. DBA/Rohrer Bus Sales
2075 B West Main Street
Waynesboro, VA 22980
Attn: Mr. Andrew Clawson
410-980-1906

05/03/17 11:04:31
WV Purchasing Division

Opening Date: May 3, 2017 at 1:30 p.m.

ROHRER

School & Commercial Bus Sales

May 2, 2017

Melissa Pettrey
Department of Administration
Purchasing Division
2019 Washington Street E
Charleston, WV 25305

Ref: PTR1700000005

Dear Melissa Pettrey:

Rohrer Bus Sales appreciates the opportunity to submit a bid for transit vehicles to the State of West Virginia. Our offerings, a Ford E-350 with a World Trans Bus Body meets the intent and letter of your specifications with the following documentation, clarifications and/or explanations per your Required Bid Documentation Checklist.

Mandatory Bid Forms

Enclosure 1 Contains:

- Signed RFQ
- Designated Contact Form
- Bid Form 1
- Bid Form 2
- Bid Form 3
- Bid Form 4
- Bid Form 5
- Bid Form 6
- Bid Form 7
- Bid Form 8
- Bid Form 9
- Bid Form 10
- Document Checklist
- Addendum Acknowledgment
- No Debt Affidavit

Enclosure 2 Contains:

- Exhibit A Pricing Page

Section

Mandatory Documentation

- World Trans Brochure is located at Enclosure 3.
- 3.2 Ford E-350 Chassis with a GVWR of 11,500 LBs to be used for the units proposed in this solicitation. Warranty is by Ford Motor Company under the Bumper to Bumper Warranty and is 3 years/36,000 miles. For additional information please see Enclosure 4.
- 3.3 Engine Ford 6.8L EFI Triton V-10 Gasoline Engine. Warranty is by Ford Motor Corporation under the power train warranty— 5yr/60,000 miles. For additional information please see Ford E-Series Specifications at Enclosure 4.
- 6.10 Radio provided will be an REI AM/ FM/ USB/ MP3 Radio with 6 speakers to include 1 speaker in the Driver's door. Literature can be found at Enclosure 5. Warranty is by World Trans under add on equipment and is 2 year/ unlimited miles.
- 3.8 Ford TorqShift 6 Speed Automatic Overdrive with Tow/Haul Mode Transmission. Warranty is by Ford Motor Corporation under the power train warranty— 5yr/60,000 miles. For additional information please see Ford E-Series Specifications at Enclosure 4.
- 3.5 Ford OEM Radiator and Colling System. Warranty is by Ford Motor Company under the Bumper to Bumper Warranty and is 3 years/36,000 miles. For additional information please see Enclosure 4.
- 3.6 The High Idle System to be provided is InPower integrated with the Interlock System. Literature can be found at Enclosure 6. Warranty is by World Trans under add on equipment and is 2 year/ unlimited miles.
- 4.2 Ford OEM Heavy Duty Brakes are four wheel disc type: powered, self-adjusting, dual hydraulic with a brake hydro booster and four wheel anti-lock feature. 4 Wheel Disc Anti-Lock Brakes. Warranty is by Ford Motor Company under the Bumper to Bumper Warranty and is 3 years/36,000 miles. For additional information please see Enclosure 4.
- 4.0 Tilt Wheel, Cruise Control, and Power Steering will all be Ford OEM. Warranty is by Ford Motor Company under the Bumper to Bumper Warranty and is 3 years/36,000 miles. For additional information please see Enclosure 4. For Details on World Trans Water Testing Procedure please see Enclosure 7.
- 2.16 The Proposed Wheel Base for the All Passenger, 1 WC, and 2 WC floorplans is 138". The proposed Wheel Base for the 3 WC position floorplan is 158".
- 3.9.4 Back Up Camera will an REI back up camera system. Warranty is by World Trans under add on equipment and is 2 year/ unlimited miles. For additional information please see Back Up Camera Specifications at Enclosure 8.
- 4.3 Ford OEM Wheels will be 16-inch x 6-inch White-Painted Steel Wheels. Warranty is by Ford Motor Company under the Bumper to Bumper Warranty and is 3 years/36,000 miles. For additional information please see Enclosure 4.

- 4.4 Tires LT225/7Rx16E all season tires. Warranty is by Ford Motor Company under the Bumper to Bumper Warranty and is 3 years/36,000 miles. For additional information please see Enclosure 4.
- 4.5.6 Batteries- Gasoline chassis has (1) 650 Cold Cranking Amps (CCA) battery and (1) 625 CCA battery for a total of 1275 CCA's to meet WV spec. One Battery will remain under the hood. The second battery will be located on a stainless-steel tray on the curbside of the unit. Warranty 3yr/36,000 miles. For additional information please see Enclosure 4.
- 4.5.5 Alternator to be Ford OEM 225 Amp Alternator. Warranty is by Ford Motor Company under the Bumper to Bumper Warranty and is 3 years/36,000 miles. For additional information please see Enclosure 4.
- 5.5 Front Heating and Air conditioning will be Ford OEM. Warranty is by Ford Motor Company under the Bumper to Bumper Warranty and is 3 years/36,000 miles. For additional information please see Enclosure 4. The Rear Heater provided will be One (1) Pro Air 35,000 BTU Heaters with a two shut off valves. Literature can be found at Enclosure 9. Warranty is by World Trans under add on equipment and is 2 year/ unlimited miles. Rear Air Conditioning- For this specification, Freon lines will be connected to an auxiliary compressor in addition to a stand-alone Ford OEM compressor. An ACT ceiling mounted evaporator and a two-fan skirt mounted condenser will function independently of the Ford system. Thermostat and fan speed control wiring are remotely located to the driver's area. Warranty is 2 years/Unlimited miles. For Additional information on the Rear AC System please see Enclosure 10.
- 4.8 For complete description of Body Construction please see Enclosure 11. For Dimensions of the Transition Window please see Enclosure 12. The Interior Height of our proposed unit is 80". The Length of our proposed unit is 24".
- 5.0 The Rustproofing used is 76M Undercoating. Warranty is by World Trans under add on equipment and is 2 year/ unlimited miles. For additional information please see Rust Proofing Specifications at Enclosure 13.
- 5.1 Passenger Doors have a minimum clear opening of 30" wide by 80" High. Door will be equipped with an electric toggle switch for driver control and an exterior key switch. It will be equipped with an emergency release for manual operation. Warranty is by World Trans under add on equipment and is 2 year/ unlimited miles. For additional information please see Section 11 of the Body Construction Specifications located at Enclosure 11. The Interlock and fast idle system information is located at Enclosure 6.
- 5.8 Gerflor Tarabus flooring will be used. It is a high slip resistant, abrasion resistant, flooring solution. Warranty is by World Trans under add on equipment and is 2 year/ unlimited miles. For additional information and color choices please see Gerflor Specifications at Enclosure 14.
- 6.1 The Seats to be provided will be Freedman Mid High Seats to include 2 ICS positions per floorplan, High Back Seats on the rear row of the all passenger unit, Grab Handles on all seats except for the rear row, Under Seat Retractable Seat Belts to include 4 extenders per bus and arm rests. Warranty is by World Trans under add on equipment and is 2 year/

unlimited miles. For additional information and color choices please see Seating Literature at Enclosure 15.

- 6.2 Wheelchair Securement System will be Q'Straint QRT Deluxe 4 retractor system with 4 quick straps per unit. Warranty is under Q'Straint and is a 3 Year Unlimited mile warranty. For additional information please see enclosure 16.
- 6.13 Rohrer Bus understands that they are responsible to coordinate and conduct two (2) one day training sessions. Dates to be mutually agreed upon with the addition of additional training days if necessary.
- 6.8 Security Camera System to be provided is the Angel Trax Hybrid Vault DVR system with 6 Dome Cameras, 500 GB solid state Hard Drive, and an SD Card Back up. Warranty is by World Trans under add on equipment and is 3 year/ 36,000 miles. For additional information and color choices please see Angel Trax Specifications at Enclosure 17.

5.11.1 Warranty on completed vehicle follows:

Chassis: 3 year or 36,000 miles Bumper to Bumper.
Bus Conversion: 3 year or 36,000 miles.

5.11.2 Warranty on basic vehicle structure

Frame: 3 Years/36,000 miles
Bus Structure: 6 year or 60,000 miles
Undercoating: 5 year limited

7.12.5 Warranties to be Provided on Subsystems and Components.:

Engine: 5 years or 60,000 miles
Transmission: 5 Years or 60,000 miles
Drive axle: 5 Year or 60,000 miles
Brake System: Excluding Friction Material Three Year or 36,000 miles
Braun Lift: 3 Year/10,000 Cycles.
Supplemental AC system: 2 years, unlimited miles
Add-on components: Minimum 3 year or 36,000 miles unless stated above
Please See World Trans Warranty Information located at Enclosure 18

11.3 Rohrer Bus acknowledged and has completed two bids in binder form. One of which has been marked for DPT.

13.2.A Complete Mechanical Descriptions of each class of vehicle can be found at the following Enclosures:

Class A	Enclosure 19
Class B	Enclosure 20
Class C	Enclosure 21
Class D	Enclosure 22
Class E	Enclosure 23
Class F	Enclosure 24
Class G	Enclosure 25
Class H	Enclosure 26
Class I	Enclosure 27

Class J	Enclosure 28
Class K	Enclosure 29
Class L	Enclosure 30
Class M	Enclosure 31
Class N	Enclosure 32
Class O	Enclosure 33
Class P	Enclosure 34
Class Q	Enclosure 35
Class R	Enclosure 36
Class S	Enclosure 37

13.2 B Proposed floorplans for the different Class vehicles can be found at the following Enclosures:

Class A	Enclosure 38
Class B, E, H, K, N, Q	Enclosure 39
Class C, F, I, L, O, R	Enclosure 40
Class D, G, J, M, P, S	Enclosure 41

13.2 C Curb Weight and Gross Vehicle Weight Rating of each class can be found at the following Enclosures:

Class A	Enclosure 42
Class B, E, H, K, N, Q	Enclosure 43
Class C, F, I, L, O, R	Enclosure 44
Class D, G, J, M, P, S	Enclosure 45

13.2 D Paint charts and vinyl charts can be found at Enclosure 46.

13.2 H The following is a description of the actual location of the final assembly point including a description of the activities that will take place at the final assembly point and the cost of final assembly:

The actual location of the final assembly point shall be: 1655 Wall Street, Salina, KS 67401

Description and activities are as follows:

Cab-chassis is modified to receive the vehicle body
 Brake Retarder Installed
 Steel sub-frame is fabricated and attached to chassis
 Flooring is installed on the sub-frame
 Body is attached to chassis sub-frame and floor
 Windows are installed
 Doors are installed
 Electrical wiring harness is installed
 Interior paneling and equipment finished out
 Air conditioning installed
 Lift installed and tested
 Seats installed
 Tie-downs installed
 Final finish functions performed:

Exterior paint and markings applied
 Quality control and final testing performed
 Vehicle readied for shipment

13.2 I References:

TANK

Andrew Aiello
General Manager
3375 Madison Pike Ft. Wright, KY 41017
Ph: (859) 814-2143
aaiello@tankbus.org
www.tankbus.org

NJ Transit

Irene Felcon
1 Penn Plaza East Newark, NJ 07105
(973) 491-7354
ifelcon@njtransit.com

PA Department of General Services

Alfonzo Robinson
Commodity Specialist
555 Walnut Street Harrisburg, PA 17101
(717)346-8181
arobinson@pa.gov

Virginia Regional Transit/RTMS

Bruce Simms
Chief Executive Officer
109 N. Bailey Lane Purcellville, VA
540-338-1610 ext# 2101
bruce@vatransit.org

Louisville Wheels Transportation

Beecher Hudson
Chief Executive Officer
1134 South Preston Street Louisville, KY 40203
502-561-3690
beecher.hudson@louwheels.com

A Braun NCL-1000 Century 2 Lift to be provided. Information on the lift can be found at Enclosure 47.

Please contact us immediately at (800) 735-3900 if any additional documentation is required. Thanks again for your consideration!

Additional Documentation to include Buy America Breakdown, FMVSS Certification, QVM/TVM Certification, DBE Letter, and Altoona Test Executive Summary can be found at Enclosure 48.

Sincerely,

Andrew Clawson
Account Representative



ROHRER

1.800.735.3900 x 4152

410.980.1906 Cell

717.957.4884 Fax

aclawson@rohrerbus.com



Purchasing Division
 2019 Washington Street East
 Post Office Box 50130
 Charleston, WV 25305-0130

State of West Virginia
 Request for Quotation
 36 – Vehicles

Proc Folder: 184616

Doc Description: Open End Contract for 138" Wheel base DRW Cutaway Vehicle

Proc Type: Central Master Agreement

Date Issued	Solicitation Closes	Solicitation No	Version
2017-04-11	2017-05-03 13:30:00	CRFQ 0805 PTR1700000005	1

BID RECEIVING LOCATION

BID CLERK
 DEPARTMENT OF ADMINISTRATION
 PURCHASING DIVISION
 2019 WASHINGTON ST E
 CHARLESTON WV 25305
 US

VENDOR

Vendor Name, Address and Telephone Number:

Rohrer Enterprises, Inc. DBA/Rohrer Bus Sales
 1515 State Road, P.O. Box 100
 Duncannon, PA 17020
 410-980-1906

FOR INFORMATION CONTACT THE BUYER

Melissa Pettrey
 (304) 558-0094
 melissa.k.pettrey@wv.gov

Signature X

FEIN # 23-2059976

DATE April 28, 2017

All offers subject to all terms and conditions contained in this solicitation

ADDITIONAL INFORMATION:

The West Virginia Purchasing Division is soliciting bids on behalf of the West Virginia Department of Transportation, Division of Public Transit, to establish an open-end contract for 138" Wheelbase Dual Rear Wheel Narrow Body Cutaway Vehicle per the Specifications, Terms & Conditions and the Pricing information as attached.

INVOICE TO		SHIP TO	
ACCOUNTS PAYABLE		GENERAL MANAGER	
PUBLIC TRANSIT DIVISION OF		PUBLIC TRANSIT DIVISION OF	
BLDG 5 RM 650		KANAWHA VALLEY REGIONAL TRANSPORTATION AUTHORITY	
1900 KANAWHA BLVD E		1550 FOURTH AVE	
CHARLESTON	WV25305-0432	CHARLESTON	WV 25324
US		US	

Line	Comm Ln Desc	Qty	Unit Issue	Unit Price	Total Price
1	for Mid Sized light duty buses	0.00000	EA		

Comm Code	Manufacturer	Specification	Model #
25101502			

Extended Description :

138" Wheelbase Dual Rear Wheel Narrow Body Cutaway vehicles.

DESIGNATED CONTACT: Vendor appoints the individual identified in this Section as the Contract Administrator and the initial point of contact for matters relating to this Contract.

Andrew Clawson Regional Manager

(Name, Title)

Andrew Clawson - Regional Manager

(Printed Name and Title)

2075 B West Main Street, Waynesboro, VA 22980

(Address)

410-980-1906 / Fax = n/a

(Phone Number) / (Fax Number)

aclawson@rohrerbus.com

(email address)

CERTIFICATION AND SIGNATURE: By signing below, or submitting documentation through wvOASIS, I certify that I have reviewed this Solicitation in its entirety; that I understand the requirements, terms and conditions, and other information contained herein; that this bid, offer or proposal constitutes an offer to the State that cannot be unilaterally withdrawn; that the product or service proposed meets the mandatory requirements contained in the Solicitation for that product or service, unless otherwise stated herein; that the Vendor accepts the terms and conditions contained in the Solicitation, unless otherwise stated herein; that I am submitting this bid, offer or proposal for review and consideration; that I am authorized by the vendor to execute and submit this bid, offer, or proposal, or any documents related thereto on vendor's behalf; that I am authorized to bind the vendor in a contractual relationship; and that to the best of my knowledge, the vendor has properly registered with any State agency that may require registration.

Rohrer Enterprises, Inc. DBA/Rohrer Bus Sales

(Company)

Howard E. Rohrer III

(Authorized Signature) (Representative Name, Title)

Howard E. Rohrer, III - President

(Printed Name and Title of Authorized Representative)

April 28, 2017

(Date)

717-957-2141 / Fax = n/a

(Phone Number) (Fax Number)

BID FORM #1

MANDATORY BID FORM – MUST BE SUBMITTED WITH BID

Location(s) of the Technical Service Representative(s) and parts distribution center(s) closest or in the State of West Virginia.

Location(s) of the technical service representative(s).

Name: Bert Wolfe Ford, Inc.

Address: 1900 Patrick Street Plaza

Charleston, WV 25387

Telephone: (304) 344-1601

Name: Turnpike Ford of Charleston/Marmet

Address: Route 61 Maccorkle Avenue

Marmet, WV 25315

Telephone: (304) 925-0431

Location(s) of parts distribution center(s).

Name: Moses Ford Inc.

Address: 2001 Mccorkle Avenue SW

St. Albans, WV 25117

Telephone: (304) 722-4900

Name: Stephens Auto Center

Address: Route 119 Lory Road

Danville, WV 25053

Telephone: (800) 925-2411

BID FORM #2

**CERTIFICATION FOR AIR & WATER POLLUTION
MANDATORY BID FORM – MUST BE SUBMITTED WITH BID**


The Vendor certifies that the vehicles proposed:

ARE in compliance with the regulations in 40 CFR Part 85, 40 CFR Part 86, 40 CFR Part 600, Clean Water Act and the air/water pollution criteria established by the Environmental Protection Agency of the United States Government.

ARE NOT in compliance with the regulations in 40 CFR Part 85, 40 CFR Part 86, 40 CFR Part 600, Clean Water Act and the air/water pollution criteria established by the Environmental Protection Agency of the United States Government.

April 28, 2017

Date


Authorized Signature

President

Title

Rohrer Enterprises, Inc. DBA/Rohrer Bus Sales
Company Name

BID FORM #3

**DISADVANTAGED VEHICLEINESS ENTERPRISE
VENDORS/ MANUFACTURERS CERTIFICATION**

MANDATORY BID FORM – MUST BE SUBMITTED WITH BID


(Check appropriate statement)

_____ The Vendor, if a transit vehicle manufacturer, hereby certifies that it has complied with the requirements of 49 CFR Section 26.49 by submitting an annual DBE goal to the Federal Transit Administration (FTA). The goal has either been approved or not disapproved by FTA.

The Vendor, if a non-manufacturing supplier, hereby certifies that the manufacturer of the transit vehicle to be supplied has complied with the above-referenced requirement of 49 CFR Section 26.49.

April 28, 2017

Date


Authorized Signature

President

Title

Rohrer Enterprises, Inc. DBA/Rohrer Bus Sales
Company Name

BID FORM #4

**BUY AMERICA CERTIFICATION
ROLLING STOCK
MANDATORY BID FORM – MUST BE SUBMITTED WITH BID**

Certificate of Compliance

The bidder or offeror hereby certifies that it will comply with the requirements of section 165(b) (3), of the Surface Transportation Assistance Act of 1982, as amended, and the applicable regulations of 49 CFR 661.11:

April 28, 2017
Date


Authorized Signature

Rohrer Enterprises, Inc. DBA/Rohrer Bus Sales
Company Name

Howard E. Rohrer, III
Name

President
Title

Certificate for Non-Compliance

The bidder or offeror hereby certifies that it cannot comply with the requirements of section 165(b) (3) of the Surface Transportation Assistance Act of 1982, as amended, but may qualify for an exception to the requirement consistent with section 165(b) (2) or (b) (4) of the Surface Transportation Assistance Act, as amended, and the applicable regulations in 49 CFR 661.7.

Date

Authorized Signature

Company Name

Name

Title

BID FORM #5

**FEDERAL MOTOR VEHICLE
SAFETY STANDARDS CERTIFICATION**

MANDATORY BID FORM – MUST BE SUBMITTED WITH BID

The vendor hereby certifies that it shall submit, as required by Title 49 of the CFR, Part 663 - Subpart D, its self-certification information stating that the vehicle(s) will comply with the relevant Federal Motor Vehicle Safety Standards issued by the National Highway Traffic Safety Administration in Title 49 of the Code of Federal Regulations, Part 571.

April 28, 2017

Date


Authorized Signature

President

Title

Rohrer Enterprises, Inc. DBA/Rohrer Bus Sales
Company Name

BID FORM #6
U.S. Comptroller's Debarment List Certification
MANDATORY BID FORM – MUST BE SUBMITTED WITH BID

Rohrer Enterprises, Inc. DBA/Rohrer Bus Sales hereby certifies that it

 IS or

IS NOT (specify one) included on the U.S. GSA's debarment and suspension information available at <https://www.sam.gov>.

April 28, 2017
Date


Authorized Signature

President
Title

Rohrer Enterprises, Inc. DBA/Rohrer Bus Sales
Company Name

BID FORM #7

**MANDATORY BID FORM – MUST BE SUBMITTED WITH BID
CERTIFICATION OF PRIMARY PARTICIPANT REGARDING
DEBARMENT, SUSPENSION, AND OTHER RESPONSIBILITY MATTERS**

The Primary Participant (applicant for an FTA grant or cooperative agreement, or potential contractor for a major third party contract),

Rohrer Enterprises, Inc. DBA/Rohrer Bus Sales (COMPANY NAME) certifies to the best of its knowledge and belief, that it and its principals:

1. Are not presently debarred, suspended, proposed for debarment, declared ineligible, or voluntarily excluded from covered transactions by any Federal department or agency;
2. Have not within a three-year period preceding this proposal been convicted of or had a civil judgment rendered against them for commission of fraud or a criminal offense in connection with obtaining, attempting to obtain, or performing a public (Federal, State or local) transaction or contract under a public transaction; violation of Federal or State antitrust statutes or commission of embezzlement, theft, forgery, bribery, falsification or destruction of records, making false statements, or receiving stolen property.
3. Are not presently indicted for or otherwise criminally or civilly charged by a governmental entity (Federal, State or local) with commission of any of the offenses enumerated in paragraph (2) of this certification; and
4. Have not within a three-year period preceding this application/proposal had one or more public transactions (Federal, State or local) terminated for cause or default.

If the primary participant (applicant for an FTA grant, or cooperative agreement, or potential third party contractor) is unable to certify to any of the statements in this certification, the participant shall attach an explanation to this certification.)

THE PRIMARY PARTICIPANT (APPLICANT FOR AN FTA GRANT OR COOPERATIVE AGREEMENT, OR POTENTIAL CONTRACTOR FOR A MAJOR THIRD PARTY CONTRACT),

Rohrer Enterprises, Inc. DBA/Rohrer Bus Sales, CERTIFIES OR AFFIRMS THE TRUTHFULNESS AND ACCURACY OF THE CONTENTS OF THE STATEMENTS SUBMITTED ON OR WITH THIS CERTIFICATION AND UNDERSTANDS THAT THE PROVISIONS OF 31 U.S.C. SECTIONS 3801 ET SEQ. ARE APPLICABLE THERETO.



Signature and Title of Authorized Official President

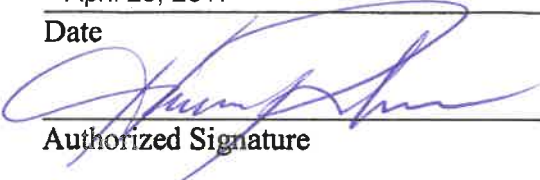
BID FORM #8
MANDATORY BID FORM – MUST BE SUBMITTED WITH BID

***VENDOR'S CERTIFICATION OF
UNDERSTANDING AND ACCEPTANCE***

The Vendor hereby certifies that all Technical Specifications and Contract Terms and Conditions have been carefully reviewed, are fully understood and shall be adhered to in performance and completion of any contract resulting from this bid.

April 28, 2017

Date


Authorized Signature

President

Title

Rohrer Enterprises, Inc. DBA/Rohrer Bus Sales
Company Name

SPECIFICATION COMPLIANCE

NOTE: Please check if what is offered is in exact compliance with specifications. Any discrepancies must be listed as an attachment to the bid proposal. Exact dimensions and/or descriptions must be provided as a part of the Vendor's bid proposal when submitted.

_____ Bid proposal submitted meets and/or exceeds all specification requirements.

_____ Bid proposal submitted contains deviations from specification requirements.
Detailed descriptions of these deviations have been provided with this bid proposal.

BID FORM #9
MANDATORY BID FORM – MUST BE SUBMITTED WITH BID
CERTIFICATION OF RESTRICTIONS ON LOBBYING

The undersigned (Vendor, Contractor) certifies, to the best of his or her knowledge and belief, that:

1. No Federal appropriated funds have been paid or will be paid by or on behalf of the undersigned, to any person for influence or attempt to influence an officer or employee of any Federal agency, a Member of Congress, an officer or employee of Congress, or an employee of a Member of Congress regarding the award of a Federal grant, loan (including a line of credit), cooperative agreement, loan guarantee, or loan insurance, or the extension, continuation, renewal, amendment, or modification of any Federal grant, loan (including a line of credit), cooperative agreement, loan guarantee, or loan insurance.
2. If any funds other than Federal appropriated funds have been or will be paid to any person to influence or attempt to influence an officer or employee of any Federal agency, a Member of Congress, an officer or employee of Congress, or any employee of a Member of Congress in connection with any application for a Federal grant, loan (including a line of credit), cooperative agreement, loan guarantee, or loan insurance, the undersigned assures that it will complete and submit Standard Form-LLL, "Disclosure of Lobbying Activities," Rev. 7-97; and
3. The undersigned understands that the language of this certification shall be included in the award documents for all sub awards at all tiers (including subcontracts, sub grants, sub agreements, and contracts under grants, loans (including a line of credit), cooperative agreements, loan guarantees, and loan insurance.

Undersigned understands that this certification is a material representation of fact upon which reliance is placed by the Federal government and that submission of this certification is a prerequisite for providing a Federal grant, loan (including a line of credit), cooperative agreement, loan guarantee, or loan insurance transaction covered by 31 U.S.C. 1352. The undersigned also understands that any person who fails to provide a required certification shall be subject to a civil penalty of not less than \$10,000 and not more than \$100,000 for each such failure.

The (Vendor, Contractor) Rohrer Enterprises, Inc. DBA/Rohrer Bus Sales, certifies or affirms the truthfulness and accuracy of each statement of its certification and disclosure, if any. In addition, the (Vendor, Contractor) understands and agrees that the provisions of 31 U.S.C. §§ 3801, et seq., apply to this certification and disclosure.

April 28, 2017

Date

Authorized Signature

President

Title

BID FORM #10

**CERTIFICATION OF COMPLIANCE WITH FTA'S
BUS TESTING REQUIREMENTS**

The undersigned (Vendor/Manufacturer) certifies that the vehicle offered in this procurement complies with 49 U.S.C. 5318, as amended by MAP-21, and FTA regulations, "Bus Testing," 49 CFR Part 665.

The undersigned understands that misrepresenting the testing status of a vehicle acquired with Federal financial assistance may subject the undersigned to civil penalties as outlined in the Department of Transportation's regulations on Program Fraud Civil Remedies, 49 CFR Part 31. In addition, the undersigned understands that FTA may suspend or debar a manufacturer under the procedures in 49 CFR Part 29.

April 28, 2017

Date



Authorized Signature

President

Title

Rohrer Enterprises, Inc. DBA/Rohrer Bus Sales

Company Name

REQUIRED BID DOCUMENTATION CHECKLIST

Model Year: 2017 Model: Ford World Trans

Mandatory Bid Forms – must be submitted with bid:

- Bid Form #1: Locations of Technical Service Representatives and Parts Distribution Centers
- Bid Form #2: Certification for Air & Water Pollution
- Bid Form #3: Disadvantaged Business Enterprise Vendors/Manufacturers Certification
The vendor shall also supply with bid FTA TVM DBE Goal Concurrence for the Current Fiscal Year Approval Letter.
- Bid Form #4: Buy America Certification Rolling Stock
Should the Vendor be declared responsive and low bid, pursuant to Pre-Award and Post Delivery Audit Requirements, the Division will require the Vendor to submit documentation (with the bid or prior to any award) that lists:
 - 1) Component and sub-component parts of the rolling stock to be purchased identified by manufacturer of the parts, their country of origin and cost: and
 - 2) The location of the final assembly point for the rolling stock, including a description of the activities that will take place at the final assembly point and the cost of final assembly.
- Bid Form #5: Federal Motor Vehicle Safety Standards Certification
Vendor shall also supply with bid a breakdown of FMVSS standards to be met with proposed vehicle.
- Bid Form #6: U.S. Comptroller's Debarment List Certification
- Bid Form #7: Certification of Primary Participant Regarding Debarment, Suspension, and Other Responsibility Matters
- Bid Form #8: Vendor's Certification of Understanding and Acceptance
- Bid Form #9: Certification of Restrictions on Lobbying
- Bid Form #10: Certification of Compliance with FTA's Vehicle Testing Requirements
A copy of the vehicle testing report (if available) shall be included with the bid.
- Exhibit A Pricing Page (8)

DOCUMENTATION TO BE SUBMITTED WITH BID:

**Section
Referenced**

- ✓ 3.2 Chassis: include Load leveling System: provide product description, warranty information and product literature.

- ✓ 3.3 Engine: 3.6 Liter V-6 gasoline engine with electronic fuel injection: provide product description, warranty information and product literature.

- ✓ 6.10 Radio: AM/FM Stereo with CD: provide product description, warranty information and product literature.

- ✓ 3.8 Transmission: provide product description, warranty information and product literature.

- ✓ 3.5 Radiator and Cooling System: provide product description, warranty information and product literature.

- ✓ 3.6 High Idle System, provide product description, warranty information and product literature.

- ✓ 4.2 Brakes: provide product description, warranty information and product literature.

- ✓ 4.0 Tilt Wheel, Cruise Control and Power Steering: provide details of water testing procedures.

- ✓ 2.16 Wheelbase: provide length of proposed wheelbase.

- ✓ 3.9.4 Rear View Back-Up Camera: provide product description, warranty information and literature.

- ✓ 4.3 Wheels: provide product description, warranty information and product literature.

- ✓ 4.4 Tires: provide product description, warranty information and product literature

- ✓ 4.5.6 Battery: provide product description, warranty information and product literature

- ✓ 4.5.5 Alternator: provide product description, warranty information and product literature

- ✓ 5.5 Front and Rear Heating and Air Conditioning: provide product description, warranty information, product literature.

- ✓ 4.8 Body Specifications: provide a description of how conversion will take place and meet the specification requirements. Provide Actual Interior height and Body length of proposed vehicle.

- ✓ 5.0 Sealant, Rustproofing and Undercoating: provide product description, warranty information and product literature.

- 5.1 Passenger Doors and Stepwells: Provide product description, dimensions, description of interlock system of all doors and locks to be provided.

- 5.8 Flooring: provide a description of product to be used, samples of floor covering, colors to be used and assembly process.

- 6.1 Seats, Grab Handles, Passenger restraints: provide product description, warranty information and product literature.

- 6.2 Mobility Aid/ Occupant Restraint Systems: provide product description, warranty information and product literature.

- 6.13 Training: submit letter of understanding to the terms in this Section.

- 6.8 Security Cameras System Including Playback: provide product description, warranty information and product literature.

- 7.12.2 Warranty on Complete Vehicle.

- 7.12.3 Warranty on Basic Vehicle Structure.

- 7.12.5 Warranty: warranties to be provide on subsystems and components.

- 11.3 Complete two (2) bids in binder form –one (1) marked for DPT.

- 13.2 A Complete mechanical description of vehicle, its construction and equipment including manufacturer’s model name and / or number.

- 13.2 B Proposed interior floor plans, showing detailed dimensions including the location of the wheelchair securement system.

- 13.2 C Curb weight (empty weight) and gross vehicle weight rating (GVWR) of vehicle.

- 13.2 D Exterior Vinyl Colors: provide samples/chart of available colors.

- 13.2 H Identification of the conversion location of the van and listing of activities to take place at the location.

- 13.2 I A list of five (5) users names, addresses, emails and telephone numbers who have been provided similar equipment.

- No Debt Affidavit

- Addendum Acknowledgement

List of Suggested Vendors

Rohrer Vehicle Sales

ADDENDUM ACKNOWLEDGEMENT FORM
SOLICITATION NO.: PTR1700000005

Instructions: Please acknowledge receipt of all addenda issued with this solicitation by completing this addendum acknowledgment form. Check the box next to each addendum received and sign below. Failure to acknowledge addenda may result in bid disqualification.

Acknowledgment: I hereby acknowledge receipt of the following addenda and have made the necessary revisions to my proposal, plans and/or specification, etc.

Addendum Numbers Received:

(Check the box next to each addendum received)

- | | |
|--|--|
| <input checked="" type="checkbox"/> Addendum No. 1 | <input type="checkbox"/> Addendum No. 6 |
| <input type="checkbox"/> Addendum No. 2 | <input type="checkbox"/> Addendum No. 7 |
| <input type="checkbox"/> Addendum No. 3 | <input type="checkbox"/> Addendum No. 8 |
| <input type="checkbox"/> Addendum No. 4 | <input type="checkbox"/> Addendum No. 9 |
| <input type="checkbox"/> Addendum No. 5 | <input type="checkbox"/> Addendum No. 10 |

I understand that failure to confirm the receipt of addenda may be cause for rejection of this bid. I further understand that that any verbal representation made or assumed to be made during any oral discussion held between Vendor's representatives and any state personnel is not binding. Only the information issued in writing and added to the specifications by an official addendum is binding.

Rohrer Enterprises, Inc. DBA/Rohrer Bus Sales

Company



Authorized Signature

April 24, 2017

Date

NOTE: This addendum acknowledgment should be submitted with the bid to expedite document processing.

STATE OF WEST VIRGINIA
Purchasing Division

PURCHASING AFFIDAVIT

MANDATE: Under W. Va. Code §5A-3-10a, no contract or renewal of any contract may be awarded by the state or any of its political subdivisions to any vendor or prospective vendor when the vendor or prospective vendor or a related party to the vendor or prospective vendor is a debtor and: (1) the debt owed is an amount greater than one thousand dollars in the aggregate; or (2) the debtor is in employer default.

EXCEPTION: The prohibition listed above does not apply where a vendor has contested any tax administered pursuant to chapter eleven of the W. Va. Code, workers' compensation premium, permit fee or environmental fee or assessment and the matter has not become final or where the vendor has entered into a payment plan or agreement and the vendor is not in default of any of the provisions of such plan or agreement.

DEFINITIONS:

"Debt" means any assessment, premium, penalty, fine, tax or other amount of money owed to the state or any of its political subdivisions because of a judgment, fine, permit violation, license assessment, defaulted workers' compensation premium, penalty or other assessment presently delinquent or due and required to be paid to the state or any of its political subdivisions, including any interest or additional penalties accrued thereon.

"Employer default" means having an outstanding balance or liability to the old fund or to the uninsured employers' fund or being in policy default, as defined in W. Va. Code § 23-2c-2, failure to maintain mandatory workers' compensation coverage, or failure to fully meet its obligations as a workers' compensation self-insured employer. An employer is not in employer default if it has entered into a repayment agreement with the Insurance Commissioner and remains in compliance with the obligations under the repayment agreement.

"Related party" means a party, whether an individual, corporation, partnership, association, limited liability company or any other form or business association or other entity whatsoever, related to any vendor by blood, marriage, ownership or contract through which the party has a relationship of ownership or other interest with the vendor so that the party will actually or by effect receive or control a portion of the benefit, profit or other consideration from performance of a vendor contract with the party receiving an amount that meets or exceeds five percent of the total contract amount.

AFFIRMATION: By signing this form, the vendor's authorized signer affirms and acknowledges under penalty of law for false swearing (W. Va. Code §61-5-3) that neither vendor nor any related party owe a debt as defined above and that neither vendor nor any related party are in employer default as defined above, unless the debt or employer default is permitted under the exception above.

WITNESS THE FOLLOWING SIGNATURE:

Vendor's Name: Rohrer Enterprises, Inc. DBA/Rohrer Bus Sales

Authorized Signature: [Signature] Date: April 28, 2017

State of Pennsylvania

County of Perry, to-wit:

Taken, subscribed, and sworn to before me this 28th day of April, 2017

My Commission expires 3-4, 2021.

AFFIX SEAL HERE

NOTARY PUBLIC Kay Hornberger

COMMONWEALTH OF PENNSYLVANIA
NOTARIAL SEAL
Kay Hornberger, Notary Public
Penn Twp., Perry County
My Commission Expires March 4, 2021

Purchasing Affidavit (Revised 08/01/2015)

MEMBER, PENNSYLVANIA ASSOCIATION OF NOTARIES

REQUEST FOR QUOTATION
138" Wheelbase Dual Rear Wheel (DRW) Narrow Body Cutaway Vehicle

Exhibit A

CLASS	ITEM DESCRIPTION	UNIT PRICE PER VEHICLE	ESTIMATED QUANTITY	EXTENDED PRICE
A	Vehicle Non-Accessible / Paratransit Package	\$53,745.00	2	\$107,490.00
B	Vehicle with One Wheelchair (WC) Positions/ Paratransit Package	\$56,245.00	2	\$112,490.00
C	Vehicle with Two Wheelchair (WC) Position / Paratransit Package	\$56,920.00	2	\$113,840.00
D	Vehicle/Extended Length/ Front Lift / 3 WC Positions	\$57,560.00	2	\$115,120.00
E	Vehicle/ One Wheelchair (WC)/ Fixed Route Package	\$63,230.00	2	\$126,460.00
F	Vehicle/Two WC / Fixed Route Package	\$64,970.00	2	\$129,940.00
G	Vehicle/ Extended Length / Front Lift / Three Wheelchair Positions/ Fixed Route Package	\$66,305.00	2	\$132,610.00
H	Vehicle/ One WC Position / Fixed Route Package / Full Bus Paint	\$65,230.00	2	\$130,460.00
I	Vehicle / 2 WC Positions / Fixed Route Package / Full Bus Paint	\$67,510.00	2	\$135,020.00
J	Vehicle / Extended Length / Front Lift / Three WC Positions/ Full Bus Paint	\$68,640.00	2	\$137,280.00
K	Vehicle/One WC/Fixed Route Package/ Three Quarter Body Paint with Expanded Graphics Vehicle Skirt Painting	\$65,130.00	2	\$130,260.00
L	Vehicle/Two WC/Fixed Route Package/ Three Quarter Body Paint with Expanded Graphics Vehicle Skirt Painting	\$66,820.00	2	\$133,640.00
M	Vehicle/ Extended Length/ Front Lift / Three WC/Fixed Route Package/ Three Quarter Body Paint with Expanded Graphics	\$67,945.00	2	\$135,890.00
N	Vehicle/One WC/Fixed Route Package/ Vehicle Skirt Painting	\$63,670.00	2	\$127,340.00
O	Vehicle / Two WC Position/ Fixed Route Package / Vehicle Skirt Painting	\$65,530	2	\$131,060.00
P	Vehicle / Extended Length / Front Lift / Fixed Route Package / Vehicle Skirt Painting	\$66,690	2	\$133,380.00
Q	Vehicle / One WC Position / Paratransit Package Security Camera	\$60,445.00	2	\$120,890.00
R	Vehicle Two WC Position / Paratransit Package / Security Camera System System	\$61,120	2	\$122,240.00
S	Vehicle / Extended Length / Front Lift / Paratransit Package / Security Camera System	\$62,080	2	\$124,160.00
	TOTAL BID FOR EVALUATION			\$2,399,570.00
	*Complete form provided.			
	*Please note these are only estimated quantities and do not reflect any guarantee of purchase.			
	*The DPT may purchase more or less as needed.			
	*Please do not alter pricing page.			



E & G SERIES

Precisely engineered to be lighter, stronger and safer; the World Trans E and G series will meet all of your needs and exceed your expectations. The unique modular construction will create a quieter, durable, and more fuel efficient bus with less waste and in a fraction of the time - put together in a smart looking package. **Driving Intelligence.**

- Exclusive modular construction provides unparalleled flexibility, safety and style
- Spacious interior with maximum window visibility enhance the passenger experience
- High-strength galvanized steel flooring, roof and walls provides superior durability and rust prevention
- Increased seating capacity and improved fuel efficiency are enabled by an incredibly strong and lightweight structure
- Fiberglass front and rear caps produce a clean, sleek and modern look
- Exceeds FMVSS220, FMVSS214, and 7 Year/200,000 mile Altoona durability requirements

*Varies based on your state and the options selected. *Photo shown with optional equipment.



STANDARD CHASSIS EQUIPMENT

	FORD E Models	GM G Models
Engine	6.2L Gas 6.8L Gas	6.0L Gas
Transmission	Electronic 6-Speed Auto	Electronic 6-Speed Auto
Fuel Tank	40 Gallon 55 Gallon	33 Gallon 57 Gallon
Brakes	Power w/4 wheel antilock	Power w/4 wheel antilock
Alternator	225 Amp.	220 Amp.

STANDARD BODY EQUIPMENT

- Galvanized Steel Structure
- Composite Exterior Panels
- Expanded Foam Insulation
- 5/8" Plywood Flooring
- LED Interior Dome lights
- LED Stop/Tail/Turn/Backup Lights
- Tinted 40" x 46" Solid Glass Windows
- Rear-View Flat/Convex Mirrors
- Commercial Seats
- Floor Seat Track
- Fiberglass Molded Rear Cap

POPULAR OPTIONS

- 3-Point Seats
- 3/4" Marine-Grade Plywood Floor
- AM/FM/BT(*) Radio
- Backup Alarm
- Backup Camera
- Battery Compartment
- Colored Flooring
- Interior Mirrors
- Rear Heater
- Rear In-Wall A/C
- Rear Luggage Wall
- Reverse Backup Sensors
- Roof Escape Hatch
- Spare Tire
- Stainless Steel Wheel Covers
- Tinted T-Slide Windows

SPECIFICATIONS

MODEL	22EN	22GN	22E	22G	24E	24G	26E	26G
Maximum Passenger Capacity	13	13	19	19	21	21	25	16+2
Maximum Seating Rows	5	5	5	5	5	5	6	6
Interior Height 6" from Sidewall	75"	75"	75"	75"	75"	75"	75"	75"
Interior Height at Center Aisle	80"	80"	80"	80"	80"	80"	80"	80"
Interior Width	82"	82"	90"	90"	90"	90"	90"	90"
Electric Entrance Door	30"/40"	30"/40"	30"/40"	30"/40"	30"/40"	30"/40"	30"/40"	30"/40"
Overall Height	117"	117"	117"/122"	117"/122"	117"/122"	117"/122"	117"/122"	117"/122"
Overall Length with Bumper	266"	272"	266"	272"	288"	294"	314"	320"
Overall Width with No Mirrors	88"	88"	96"	96"	96"	96"	96"	96"
Wheelbase	138"/158"	139"/159"	138"/158"	139"/159"	158"	159"	176"/190"	177"
GVWR	11,500 12,500 14,000 14,500	12,300 14,200	11,500 12,500 14,000 14,500	12,300 14,200	11,500 12,500 14,000 14,500	12,300 14,200	14,500	14,200

*Varies based on state and option selected. **Various passenger/wheelchair configurations available.

POPULAR FLOOR PLANS



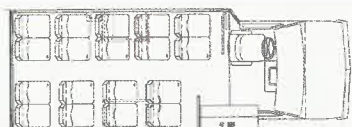
24E/24G
12 & 2 with Rear Lift



22E/22G
14 Passenger with Rear Luggage



22E/22G
14 Passengers with Perimeter Seating



22E/22G
18 Passenger



26E/26G
25 Passenger

Due to ongoing engineering improvements, World Trans reserves the right to make changes without notification.

Rohrer Bus Sales
1515 State Road
P.O. Box 100
Duncannon, PA 17020
1-800-735-3900 or 717-957-2141

Ford Cutaway E-350 DRW Specifications

Power and Handling

Power

Standard

- 6.8L EFI Triton® V10 engine with 6-speed Automatic Transmission
- TorqShift® 6-Speed Automatic Overdrive with Tow/Haul Mode
- Transmission - Auxiliary oil cooler
- 50-State Emissions System
- Alternator - 120-Amp
- Battery - Maintenance-free, 72-amp
- Auxiliary Fuel Port
- Fuel Tank - 40-gallon
- Modified Vehicle Wiring System and Kit
- Alternator - 225-Amp - Extra-Heavy-Duty

Handling

Standard

- Axle - Front, twin I-beam
- Axle - Rear, full float

Wheels & Tires

Standard

- Tires - LT225/7Rx16E All Season

- 16-inch x 6-inch White-Painted Steel Wheels
- Delete spare tire and wheel
- Wheels - Steel valve stems

Interior Features

Seating

Standard

- Captain's Chairs
- 6-way Power Driver Seat adjuster
- Seats - Delete - passenger
-

Comfort and Convenience

Standard

- Front Air Conditioning
- Front-Door Trim Panels with Integrated Map Compartment
- Slimline Engine Cover Console
- Instrument Panel - Color-keyed with tachometer
- Powerpoints - Dual 12-volt in instrument panel, single in glove box
- Mirrors - Interior, NOT INCLUDED
- Sun Visors
- Vinyl flooring - Front row
- Step Well Pads - Black plastic
- Horn - Electric, dual note
- Lighting - Front dome lamp
- Windshield Wipers - Interval
- Cruise Control

- Mirror - Inside Day/Night rearview mirror

Exterior Features

Appearance

Standard

- Headlamps - Dual sealed beam
- Bumper - Chrome - front
- Grille - Chrome
- Front License Plate Bracket

Safety

Safety

Standard

- Airbags - Front driver
- Brakes - 4-wheel disc anti-lock braking system (ABS)
- Safety belts -3-point shoulder/lap belts - all positions

Packages

Packages

Optional

- Shuttle Bus Prep Package

- Specifications

- Exterior Dimensions

	E-350 Super Duty® Cutaway (DRW)	E-350 Super Duty® Cutaway (DRW)
Wheelbase (in.)	138	158

Overall Length (in.)	241.1	261.1
----------------------	--------------	--------------

Overall Height (Loaded) (in.)	80.3	80.2
----------------------------------	-------------	-------------

Overall Width (in.)	94.9	94.9
---------------------	-------------	-------------

	E-350 Super Duty® Cutaway (DRW)	E-350 Super Duty® Cutaway (DRW)
Front Track (in.)	69.4	69.4

Rear Track (in.)	75.4	75.4
------------------	-------------	-------------

Cab Length (in.)	92.5	92.5
------------------	-------------	-------------

Cab Rear to Rear Axle	80	100
--------------------------	-----------	------------

	E-350 Super Duty® Cutaway (DRW)	E-350 Super Duty® Cutaway (DRW)
Top of Frame to Top of Cab (in.)	54.4	54.4

Rear Axle to End of Frame (in.)	68.5	68.5
---------------------------------	-------------	-------------

Load Height (loaded) (in.)	26.2	26.2
----------------------------	-------------	-------------

Front Overhang (in.)	34.6	34.6
----------------------	-------------	-------------

- Interior Dimensions

**E-350 Super Duty® Cutaway (SRW)
/ (DRW)**

First row Head Room (in.) **42**

First row Shoulder room (in.) **68.1**

First row Hip Room (in.) **65.6**

First row Leg Room (in.) **42.1**

Engine type

6.8L Triton® 2-valve V10

Horsepower (SAE net@rpm)

305@4,250

Torque (lb.-ft. @rpm)

420@3,250

Compression ratio

9.06:1

Bore x stroke (in.)

3.55x4.16

Main bearings

6-bearing

Engine type

6.8L Triton® 2-valve V10

Valvetrain

SOHC, 2 valves per cylinder

Valve lifters

Hydraulic roller finger

Fuel delivery

Sequential multiport electronic fuel injectic

Electronic throttle control (ETC)

Std

Engine oil cooler

Std

Engine type

6.8L Triton® 2-valve V10

Exhaust

LH-Cast Iron, RH-Stainless Steel

Transmission type

TorqShift® 6-speed automatic overdrive w/

Engine block material

Cast iron

Cylinder head material

Aluminum

• Chassis Specifications

Front suspension **Twin I-beam IFS with computer-selected coil springs and stabilizer bar**

Rear suspension **Multileaf 2-stage leaf springs/solid axle and rear stabilizer bar (DRW only)**

Front and rear shocks **Heavy-duty gas-pressurized**

Brakes **Power 4-wheel disc anti-lock**

Steering **Recirculating ball, power-assisted**

- Maximum Payloads

CUTAWAY	Engine	GCWR	GVWR	Payload
----------------	---------------	-------------	-------------	----------------

E-350 (DRW) 138" Wheelbase	6.8L	18500	11500	6327
-------------------------------	-------------	--------------	--------------	-------------

E-350 (DRW) 158" Wheelbase	6.8L	18500	11500	6213
-------------------------------	-------------	--------------	--------------	-------------

- Fuel Capacity and Engine Highlights

Engine Type

6.8L Triton® 2-valve V10

Fuel Capacity

40 gallons

Vehicle Highlights

Drive Type

4x2

Transmission

**TorqShift® 6-speed automatic
overdrive (6.8L)**

Wheelbase

138" (E-350 SRW/DRW)

158" (E-350, E-450 DRW)

176" (E-350, E-450 DRW)

GVWR Range

10,050 lbs. to 14,500 lbs.

Warranty

**Bumper to Bumper: 3 years /
36,000 miles**

Powertrain: 5 years / 60,000 miles

**Safety Restraint System: 5 years /
60,000 miles**

**Corrosion (Perforation Only): 5
years / Unlimited miles**

**Roadside Assistance Program: 5
years / 60,000 miles**

AM/FM/CD/MP3 Radio



Part No. 710473

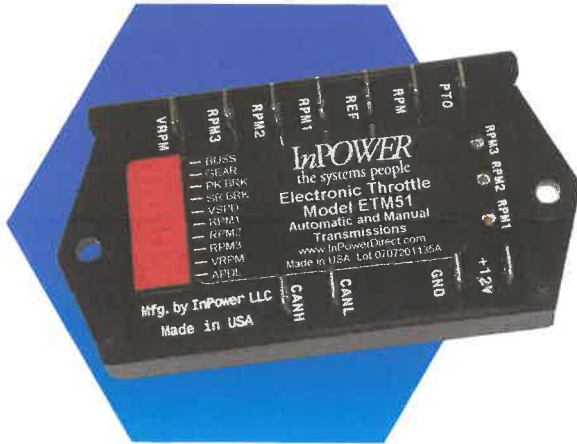
ECD-5500 AM/FM/CD/MP3/WB Stereo Radio

Features:

- AM/FM/WB stereo receiver
- 50W x 4
- Preset up to 37 radio stations (18 FM, 12 AM, 7 WB)
- Plays MP3/WMA formats
- Displays ID3 tag information
- Bluetooth® audio streaming and support for hands free calling
- Rear USB type-A input
- 2 AUX inputs (front 3.5mm stereo jack/rear RCA)
- iPod®/iPhone® charging and playback control via USB
- CD player
- User settings stored during power loss
- 30 day clock back-up
- 7 channel NOAA® weather band tuner
- Integrated Bluetooth® microphone w/optional external microphone input
- 10s anti-skip CD mechanism
- USA/EURO radio frequency modes
- Heavy duty construction for tough environments
- Must be paired with the EC-750 Control Module

ETM51

Ford Electronic Throttle



Applications

- Emergency Vehicles
- Work Trucks
- Transit and Shuttle Buses
- Pumper Trucks
- Service and Rescue Vehicles
- Hydraulic Systems
- Air Compressors
- Power Inverter Systems
- Warning Light Systems

Key Features

- Three user-adjustable speed presets with priority control.
- Variable speed input for remote control of fast idle speed.
- Works in conjunction with Ford's built-in *Stationary Elevated Idle Control (SEIC)*.
- Engine Control Module programming for speed presets not required.
- LED status and troubleshooting indicators.
- Consistent speed ramp rate control between speed presets.
- Works on model years 2005+ with built-in SEIC

Fast Idle Speed Control for E and F-Series Ford Trucks, Vans and Cut-Away Chassis with SEIC circuits.

Vehicle Compatibility

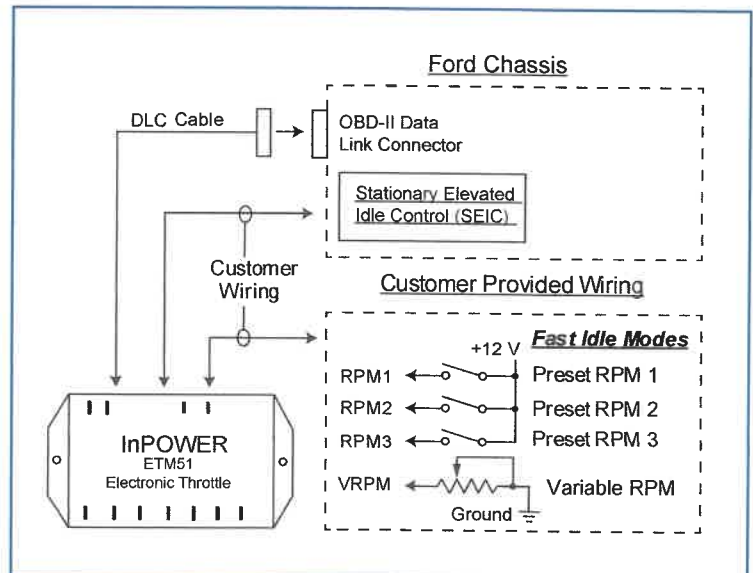
This electronic throttle is compatible with only certain Ford vehicle configurations. To determine the electronic throttle that matches your vehicle model year, chassis, engine and transmission refer to the Throttle Selector menu of InPower's web site, www.InPowerLLC.com.

Technical Description

The ETM51 throttle module has four selectable modes of fast engine idle operation, including three adjustable preset fixed speeds and one variable speed control via an external potentiometer. Select the mode by applying +12 volts to the RPM1, RPM2 or RPM3 terminal. The three presets can be individually adjusted by calibration potentiometers accessible on the top of the module. Ten LEDs display the selected operating mode, system status, and error conditions. The ETM51 controller module is compact, measuring only 2 x 4 inches. Wiring terminations utilize 0.25 inch Faston blade terminals. Its circuitry is encapsulated for maximum environmental protection.

Installation is simplified with a wiring harness that plugs into the vehicle's engine data bus, eliminating the need to wire into chassis sensors or the accelerator pedal module. The ETM51 module mounts under the dash and is supplied with a three foot cable that plugs into the vehicle's OBDII Data Link Connector. Customer provided wiring is required to select the fast idle mode and to connect to the Ford SEIC harness (three blunt-cut wires).

System Diagram



Specifications

Modes of Operation

A. Preset RPM Modes

Function:	Increases idle to a preset RPM
Number of presets:	Three
Input identification:	RPM1, RPM2 & RPM3 (RPM1 has highest priority, then RPM2, and RPM3 the lowest priority).
Activation:	Apply +12 V to input to select mode
Range of calibration:	
Diesel Engine:	1200 to 2400 RPM
Gas Engines:	900 to 2340 RPM
Calibration method:	Internal potentiometers (3)

B. Variable RPM Mode

Function:	Varies RPM as a function of external resistance change
Input identification:	VRPM
Adjustment:	10k Ohm potentiometer between input terminal and ground
RPM range:	
Diesel Engines:	1200 to 2400 RPM
Gas Engines:	900 to 2340 RPM

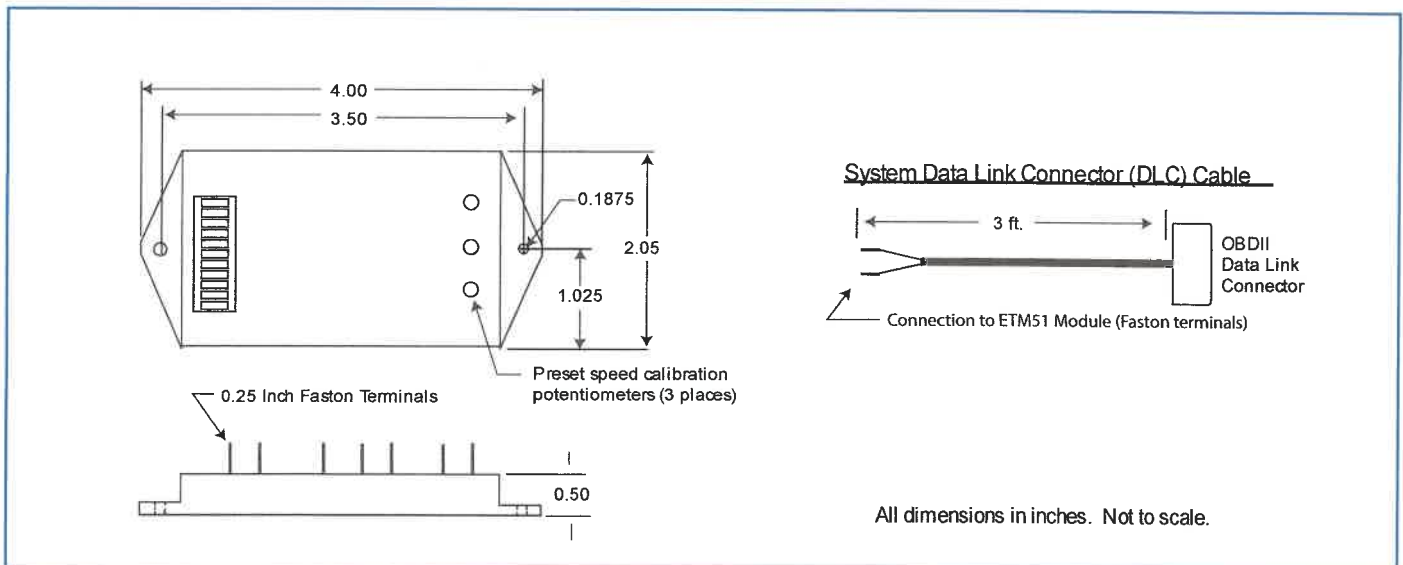
Power Requirements

Input Voltage:	8 to 16 volts DC (from Ignition Switch)
Input Current:	30 milliamps

NOTES

1. Refer to Ford Body Builders Manual for application restrictions that may apply.
2. Certain chassis are not supported as they do not have the Ford SEIC feature.
3. For Charge Protect function refer to the SEIC documentation.
4. Refer to InPower Owners Manual OM-54 for installation and operating instructions.

Mechanical Drawing



ITM125

Ford Platform Lift Interlock



Vehicle interlock system for commercial FMVSS 403 platform lifts installed on Ford E & F-Series chassis.

Technical Description

The InPower Model ITM125 interlock system provides the required FMVSS 403/404 interlock functions for public use platform lifts installed in Ford chassis. Versions are available for the 2009-2014 E-Series vans and cutaways, and F-Series truck chassis.

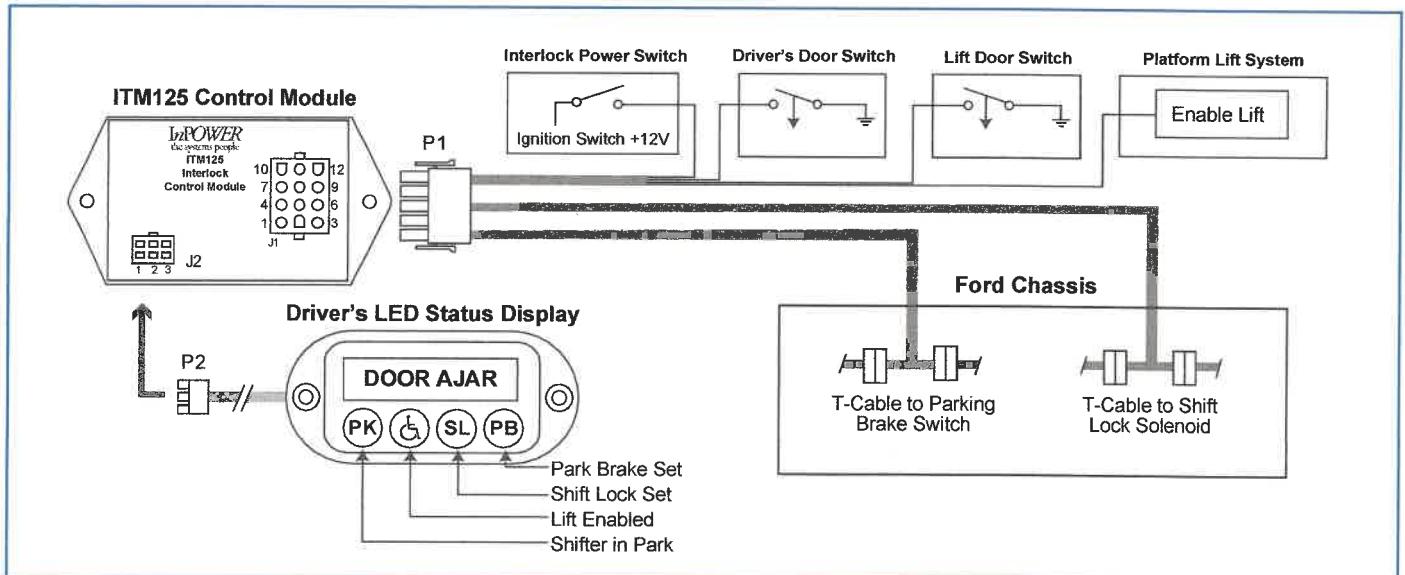
The system consists of a control module, remote driver's display, and a plug-and-play Ford chassis wiring harness. The harness includes T-cables for the Park signal, Parking Brake switch, and Shift Lock solenoid, and blunt-cut wires for the connections to the platform lift, lift door switch, driver's door switch and 12 volt power.

Key Features

- Supports 2009 - 2014 Ford E-Series and F-Series
- Driver's Status Display with Large Door Ajar Indicator
- "Plug-and-Play" Chassis Interface Harness
- Complies with FMVSS 403/404
- Door Ajar Monitoring for Lift and Driver's Doors
- Direct Interface to Braun, Ricon & Maxon Lifts

The interlock system's Lift Enable output, rated at +12 Volts @ 2 amps, is directly compatible with current production platform lifts manufactured by Braun, Ricon and Maxon. The remote driver's display includes indicators for Door Ajar, Park, Parking Brake, Shift Locked and Lift Enable. The Door Ajar indicator activates from the lift door switch or the driver's door switch.

System Diagram



Specifications

Module Inputs

Power Input:	+8 to 16 Vdc @ 2 amps. Requires a fused power source that is powered when the ignition switch is on.
Lift Door In:	From lift door closed switch (Ground when door is open/ajar)
Driver's Door In:	From driver's door closed switch (Ground when door is open/ajar)

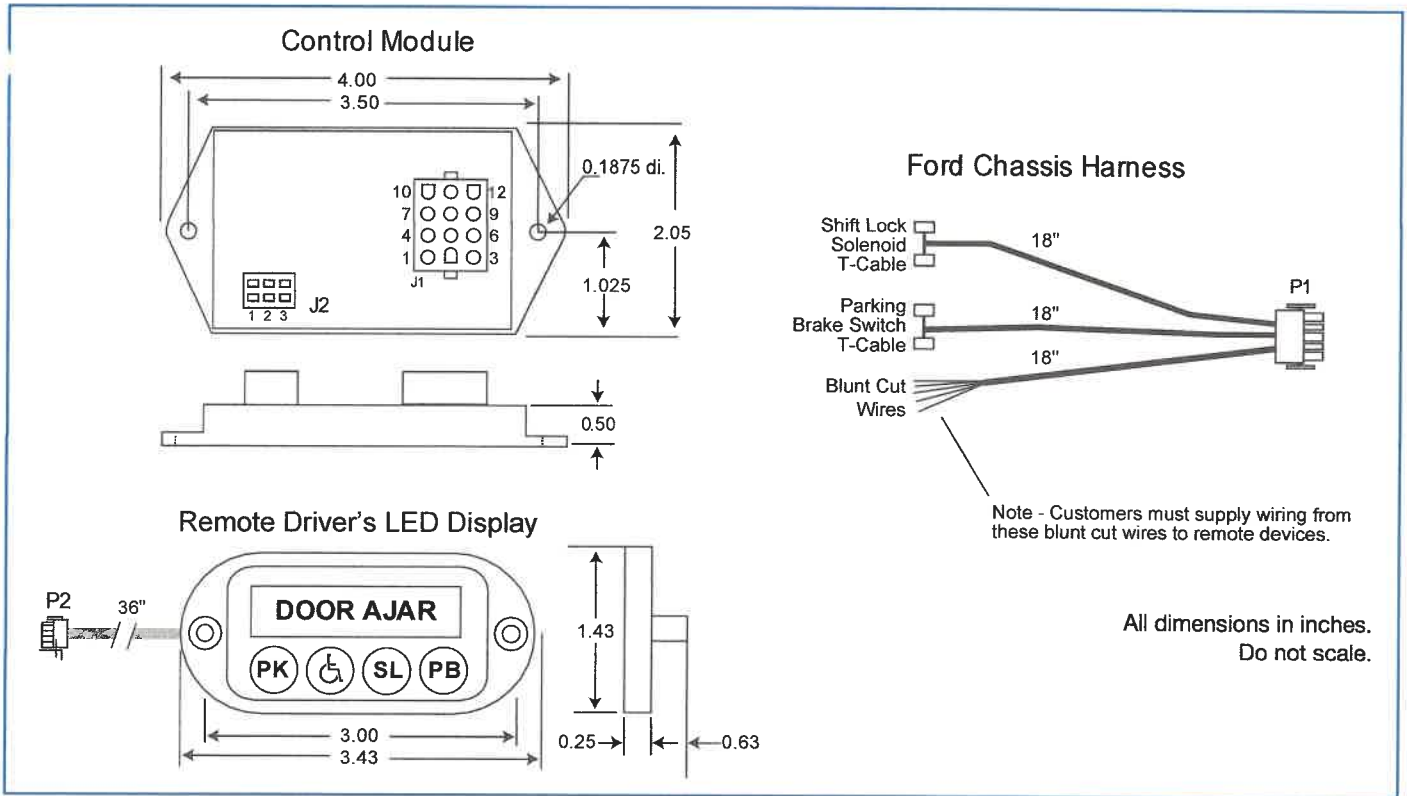
Module Output

Lift Enable:	+12 Volts @ 2 amps to allow platform lift operation
--------------	---

Mechanical

Control Module:	
Weight:	0.17 lbs.
Operating Temperature:	-40° C to +85° C
Dimensions:	2.05"W x 4.00" L x 0.80" H

Mechanical Drawing



Water Test Procedure

The water test shall consist of a series of 50 nozzles which are strategically located not less than one foot nor more than three feet around the perimeter of the bus so as to spray water over the entire surface of the bus.

The nozzles shall eject a volume of water not less than 2.5 gallons per minute under a pressure of not less than 40 pounds per square inch measured at the nozzle tip.

The contractor shall be required to water test each bus under the conditions set forth above for no less than ten minutes in order to determine whether or not there are any body leaks at the window areas, door areas, roof panels, etc. Contractor shall take the necessary corrective action when body leaks are found to exist as a result of the above test, and conduct a second water test to recheck for the body leaks following corrective action.


OUR PRODUCTS →
[SCHOOL BUS](#)
[TRANSIT](#)
[MOTOR COACH](#)
[SHUTTLE BUS](#)
[AG/CONSTRUCTION](#)

Our Products


Part No. 760923

7" LCD w/1 Camera Input, 1 Minibox Camera and 65' Camera Cable...Single Camera View

Features:
System - Main Components:

710346 - 7" Monitor

710311 - Minibox Camera

512369 - 65' Camera Cable

Monitor Features:

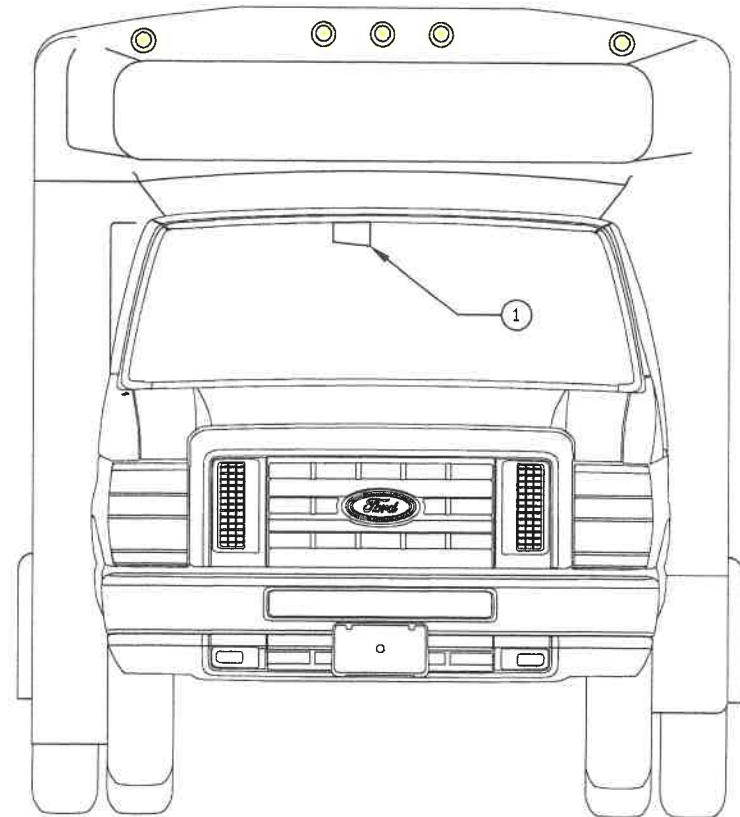
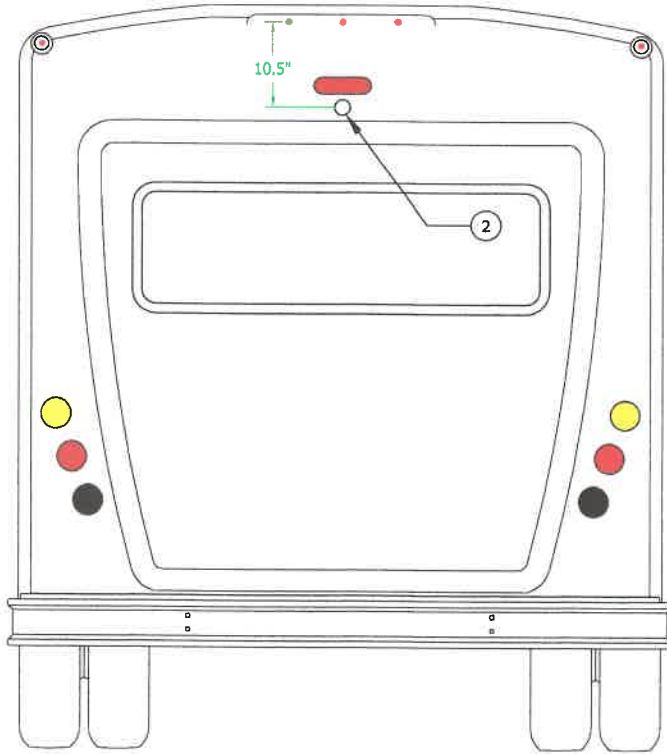
- Hi-res digital 7" LCD screen
- Automatic color optimizing
- Manual or automatic camera selection
- Auto power on (standby mode)
- LED back-lit controls
- Auto day/night brightness modes
- Wide viewing angle
- Removable sun visor included
- A/V output

Camera Features:

- Excellent low light performance
- Electronic shutter and auto white balance for sunlight compensation
- Quality Sony CCD color optics
- Night vision IR LEDs, visible range up to 45'
- Built-in heater
- Cast aluminum housing

[View Catalog](#)


ITEM	PART NUMBER	DESCRIPTION	QTY
1	0038750	BACKUP MONITOR, REI 7"	1
2	0038750-1	BACKUP CAMERA, REI MINI WEDGE	1
3	0038750-2	BACKUP CABLE, REI 33'	1



INSTALLATION NOTES:

- 1) DRILL $\frac{7}{8}$ " HOLE FOR CAMERA.
- 2) HOLE IS CENTERED WITH CENTER REAR MARKER LIGHT AND LOCATED AS SHOWN.
- 3) SEAL CAMERA ON INTERIOR WITH SIKAFLEX.
- 4) ROUTE CABLE DOWN DRIVER SIDE WITH EXISTING CORE HARNESSES.
- 5) LOCATE MONITOR TO THE RIGHT OF THE REAR VIEW MIRROR ANGLED TOWARD DRIVER.
- 6) DRILL 1" HOLE FOR MONITOR CABLE.
- 7) WIRE TRIGGER WIRE TO 18 W REVERSE WIRE.

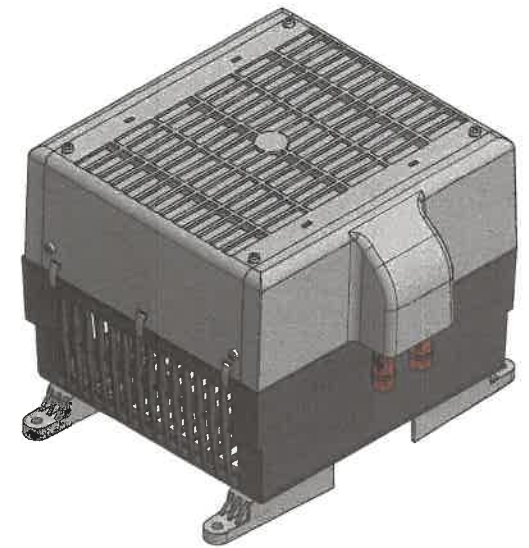
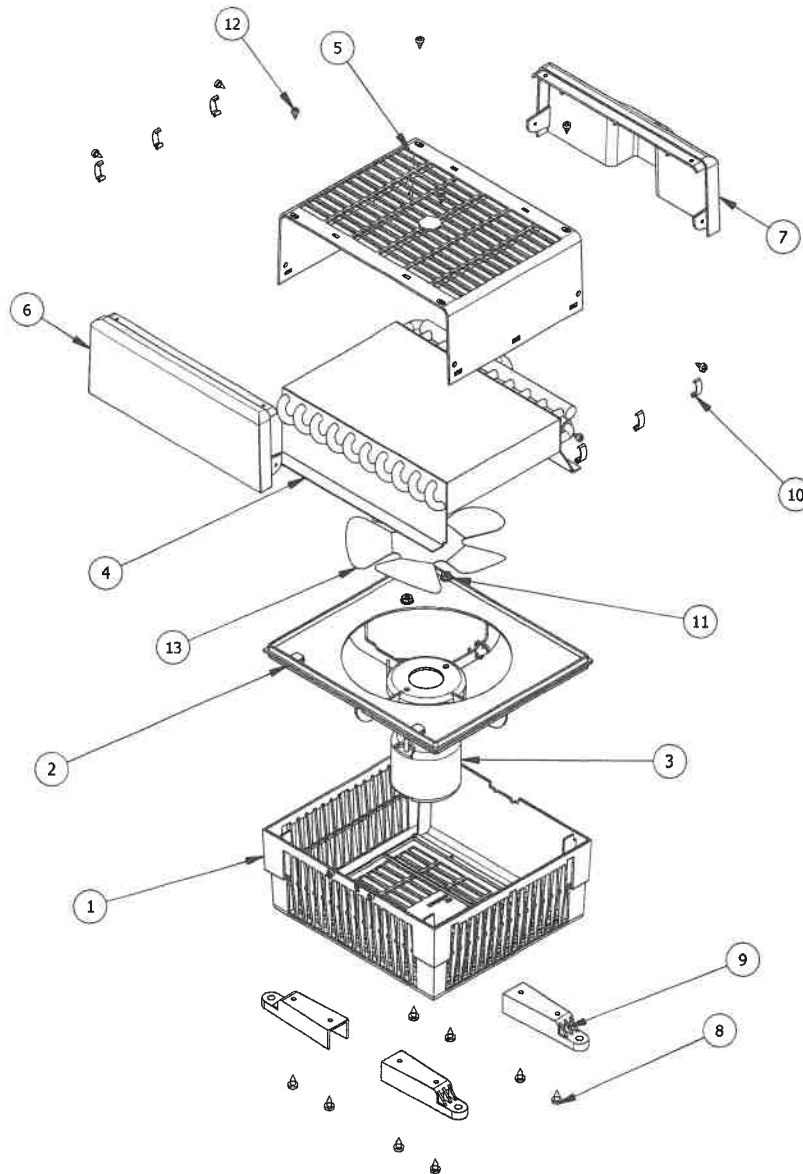
REV	ECN	DESCRIPTION	DATE	BY
A	2086	MOVED CAMERA LOCATION	3/29/2017	JWW

MATERIAL: SEE BOM		DRAWN BY: John Ward		DATE: 12/6/16	SCALE: NTS
		TOLERANCES UNLESS NOTED .XX +/- .06 .XXX +/- .005 ANG +/- 1°		ALL DIMENSIONS IN INCHES UNLESS NOTED	
		FORM F-7.3.01 REVISION A (INVENTOR)		SHEET NO: 1 OF 1	SHEET SIZE: B
THIS DRAWING AND ALL INFORMATION THEREON IS THE PROPERTY OF REV GROUP INC. ECN: 1499		TITLE: BACKUP ASSIST CAMERA 7" MONITOR		DRAWING NO: W719870G	

REVISION NO:
W719870G

PARTS LIST			
ITEM	QTY	PART NUMBER	DESCRIPTION
1	1	07 000 412	CASE, BOTTOM HEATER
2	1	07 000 414	MOUNTG, 5.5" FAN-LOW PRO HTR
3	1	11 000 098	MOTOR, 12v 2-SPD SGL SHAFT W/GR
4	1	03 000 072	COIL, HEATER 435
5	1	07 000 413	CASE, TOP HEATER
6	1	07 000 415	CAP, END BLANK
7	1	07 000 416	CAP, END - TUBE END
8	8	02 000 107	SCREW, 10 x 1/2 PH PHIL BLK
9	4	07 000 567	BRKT, BOTTOM LEG MOUNT
10	6	02 000 122	CLIP, HOUSING AT INJ CASE
11	2	02 000 159	NUT, 10-32 SCR/FLG LOCK
12	10	02 000 233	SCREW, 8 x 3/8 PHIL PH BLK OX PLA
13	1	11 000 126	FAN, 7" BLADE HUB DISCHARGE

PART NO. 66 000 066

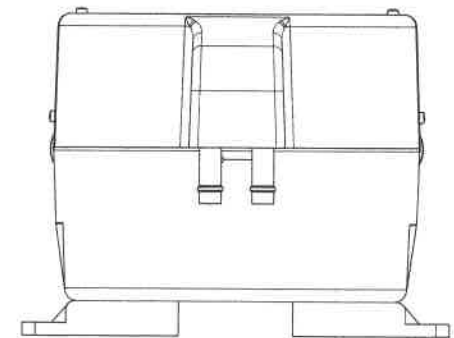
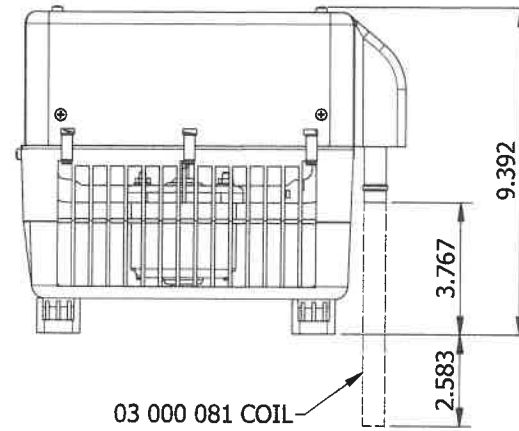
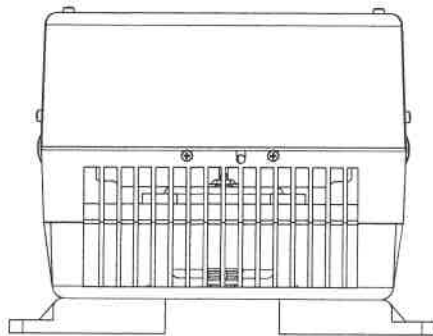
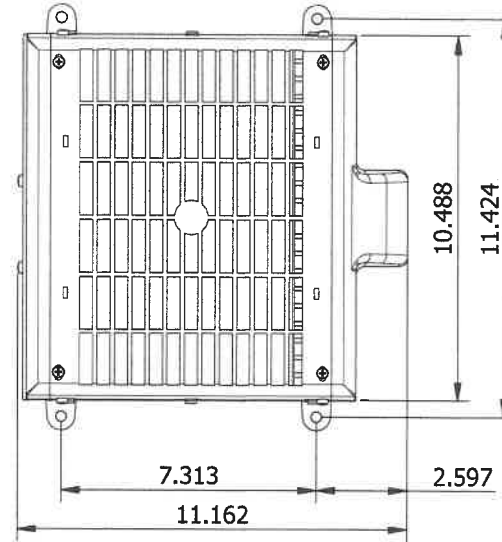
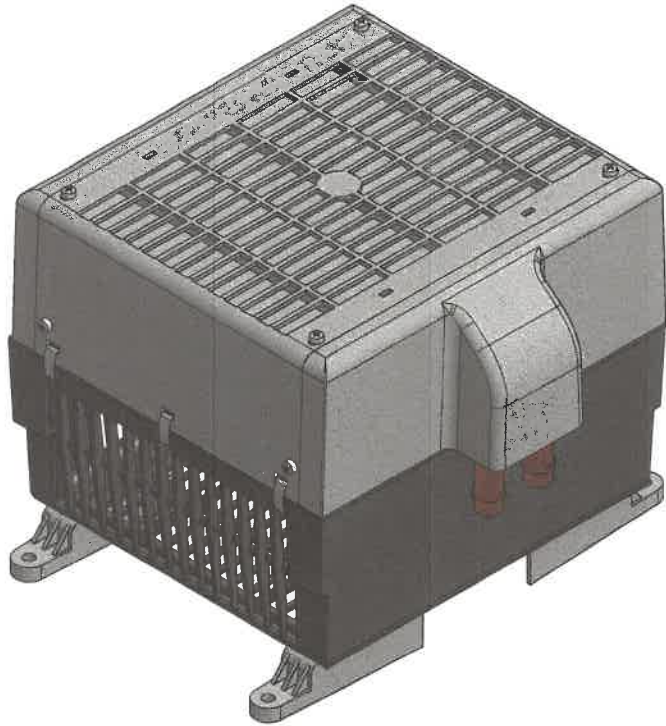


PROPRIETARY & CONFIDENTIAL. UNPUBLISHED WORK COPYRIGHT PRO AIR LLC. PRO AIR, LLC CLAIMS PROPRIETARY RIGHTS IN THE MATERIAL DISCLOSED HEREON. NEITHER THIS DRAWING NOR ANY REPRODUCTION OR PORTION THEREOF MAY BE DISTRIBUTED OR USED TO MANUFACTURE ANYTHING SHOWN HEREON WITHOUT PERMISSION IN WRITING FROM PROAIR, LLC.

REV. 1

		SIGNATURES		DATE		TITLE:		PART NO. 66 000 066			
		DRAWN	HSC	10/5/11		POWER PAK, HTR 435 35M BTU PLAS		SCALE:	1/4=1	SIZE	A
		CHECKED	XXX	10/5/11				USAGE:	435	SHEET	1 OF 2
1	X	PROTO ISSUE	HSC	10/5/11							
LET.	NO.	REVISION	BY	DATE	APPROVED	XXX	10/5/11				





PROPRIETARY & CONFIDENTIAL. UNPUBLISHED WORK COPYRIGHT PRO AIR LLC. PRO AIR, LLC CLAIMS PROPRIETARY RIGHTS IN THE MATERIAL DISCLOSED HEREON. NEITHER THIS DRAWING NOR ANY REPRODUCTION OR PORTION THEREOF MAY BE DISTRIBUTED OR USED TO MANUFACTURE ANYTHING SHOWN HEREON WITHOUT PERMISSION IN WRITING FROM PROAIR, LLC.

				SIGNATURES		DATE		TITLE:		REV. 1	
				DRAWN	HSC	10/5/11		POWER PAK, HTR 435 35M BTU PLAS		PART NO. 66 000 066	
				CHECKED	XXX	10/5/11		SCALE: 1/4=1		SIZE	
1	X			APPROVED	XXX	10/5/11		USAGE: 435		SHEET 1 OF 2	
LET.	NO.	REVISION		HSC BY	DATE	28731 C.R. 6 ELKHART, IN 46514					



BUS AIR CONDITIONING

ACT^{BY}PROAIR

EV-2 EVAPORATOR

THE A.C.T. EV-2

WALL MOUNT EVAPORATOR IS DESIGNED FOR FREE BLOW FLUSH MOUNTING APPLICATIONS. (REAR BULKHEAD, FRONT BULKHEAD, OR REAR LUGGAGE COMPARTMENT) WE HAVE DESIGNED AND MANUFACTURED THIS EVAPORATOR SPECIFICALLY FOR THE TRANSPORTATION INDUSTRY.

ITS ENHANCED PERFORMANCE, SERVICEABILITY, AND EASE OF INSTALLATION ARE THE RESULT OF OUR MANY YEARS' OF EXPERIENCE IN THE TRANSPORTATION AIR CONDITIONING INDUSTRY.



ADVANCED FEATURES

- Light Weight Welded Aluminum Construction
- Unique Louver Design Enhances Airflow Throughout The Vehicle
- Pressure Switches Located At The Evaporator For Maximum Compressor Protection
- Internally Enhanced Copper Tubing Coil Increase System Performance
- 100% O-Ring Connections For Maximum Leak Protection
- Easy Access To Return Air Filter

**2 YEAR
LIMITED WARRANTY**

AMERICAN COOLING TECHNOLOGY, Inc.

www.actusa.us.com

715 Willow Springs Lane, York, PA 17406

Tel: 717.767.2775 ~ Fax: 717.767.3658

Toll Free: 877.228.4247

SPECIFICATIONS

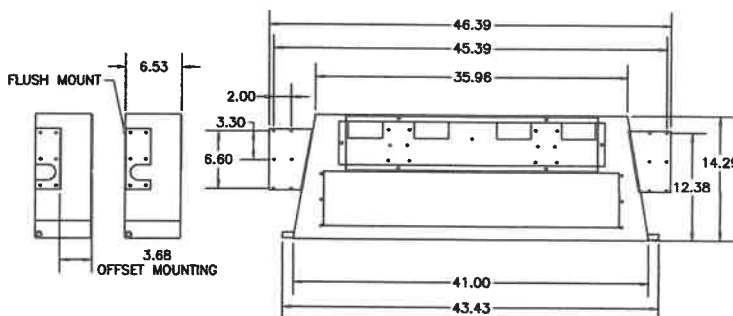
COOLING CAPACITY: Up to 60,000 Btu/Hr

AMPERAGE DRAW: 25 Amps @ 13.5 Volts
12.5 Amps @ 27 Volts

WEIGHT: 38 lbs.

FILTER: Cleanable Aluminum Mesh

Specifications subject to change without notice.



OPTIONS

- Adjustable or Fixed Air Outlet Louvers
- 12 Volt or 24 Volt Motors
- Durable ABS cover or flush mount lightweight metal face plate
- Grey or White Cover

ACT^{BY}PROAIR

"SUCCESS THROUGH SIMPLICITY"

RELY ON OUR EXPERIENCE TO PROPERLY APPLY YOUR BUS AIR CONDITIONING SYSTEM

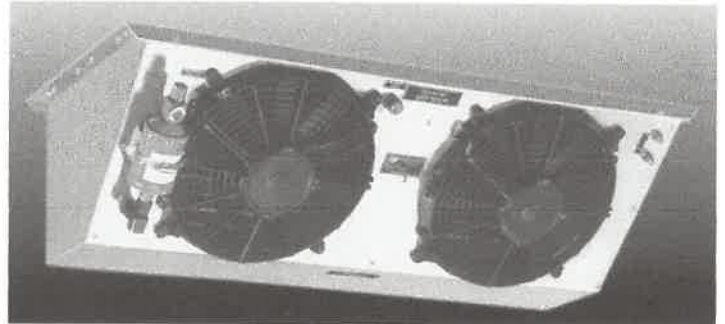
BUS AIR CONDITIONING

ACT BY PROAIR

CS-2 CONDENSER

THE A.C.T. **CS-2** CONDENSER IS DESIGNED FOR SKIRT MOUNT APPLICATIONS. WE HAVE MANUFACTURED THIS CONDENSER SPECIFICALLY FOR THE TRANSPORTATION INDUSTRY.

IT'S LOW PROFILE, LIGHT WEIGHT ALUMINUM STRUCTURE, ENHANCED AIRFLOW, PERFORMANCE, SERVICEABILITY, AND INSTALLATION EASE ARE THE RESULT OF MANY YEARS' EXPERIENCE IN THIS INDUSTRY. THIS CONDENSER IS DESIGNED TO PERFORM IN EXTREME HOT CLIMATES AND THE MOST DEMANDING TRANSIT APPLICATIONS.



ADVANCED FEATURES

- Highgrade, Lightweight, Rust Proof Aluminum
- Internally Enhanced Copper Tubing Increases System Performance
- Integral Sightglass/Filter Drier and 100% O-Ring Connections For Maximum Leak Protection
- Unequalled Heat Rejection....
 - Lower Cooling Temperatures
 - Lower Head Pressures
- 12 Inch Diameter Fan for Increased Airflow
- Sealed Motor Design
- Two Electrical Connections

OPTIONS

- Condenser or Skirt Mounted Air Inlet Grill
- 12 Volt or 24 Volt Motors
- Winter Protection Kit

**2 YEAR
LIMITED WARRANTY**

AMERICAN COOLING TECHNOLOGY, Inc.

www.actusa.us.com

715 Willow Springs Lane, York, PA 17406

Tel: 717.767.2775 ~ Fax: 717.767.3658

Toll Free: 877.228.4247

SPECIFICATIONS

RATING: 60,000 Btu/Hr

AIRFLOW: 2460 cfm (3136 m3/hr)

AMPERAGE DRAW: 23 Amps @ 13.5 Volts

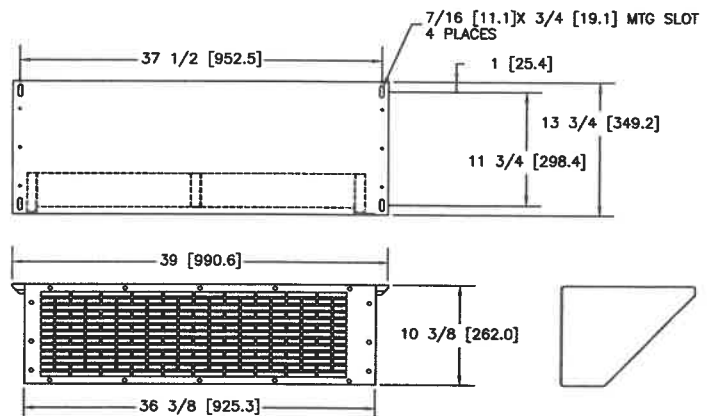
11 Amps @ 27 Volts

CONDENSER FANS: 12 Inch Diameter, Sealed Motors

FILTER DRIER/SIGHTGLASS: 16 Cu. Inch Displacement w/ Moisture Indicator

WEIGHT: 40 lbs.

Specifications subject to change without notice.



ACT BY PROAIR

"SUCCESS THROUGH SIMPLICITY"

RELY ON OUR EXPERIENCE TO PROPERLY APPLY YOUR BUS AIR CONDITIONING SYSTEM

American Cooling Technology, Inc.

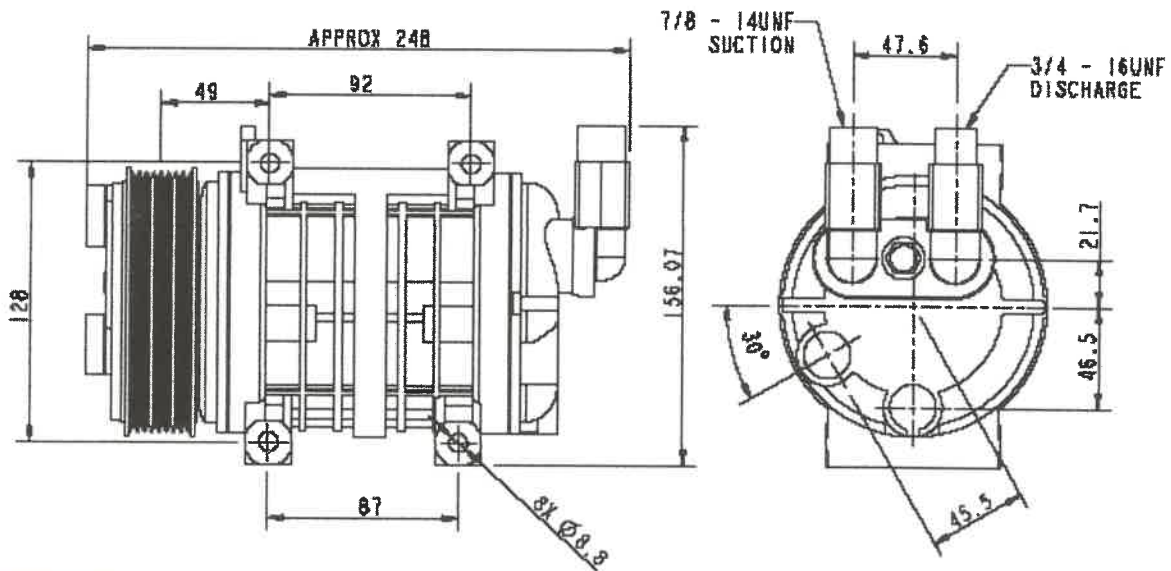
715 Willow Springs Lane
York, Pa. 17406

717/767-2775

FAX: 717/767-3658



TM-16 COMPRESSOR



Displacement 10 cubic inches

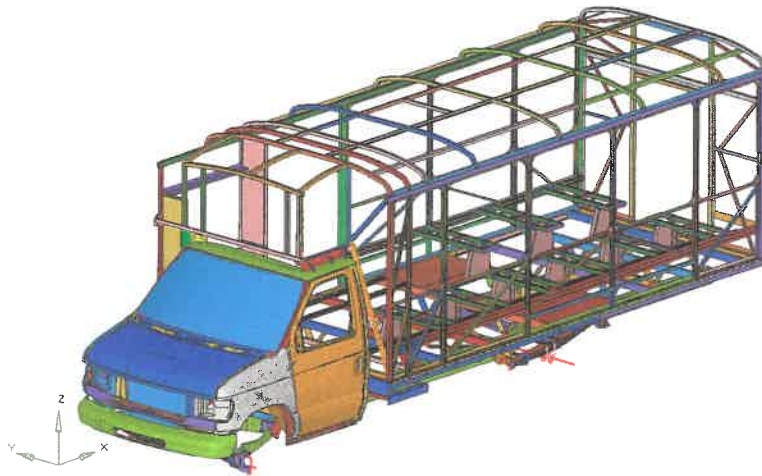
Standard features

- Refrigerant : R-134A
- Clutch coil: 12 volt or 24 volt DC.
- Available with either Type A or Poly-V pulleys.
- Available in either Ear-mount or Direct mount configurations.
- Rotation: either Clockwise & Counterclockwise
- Permissible speed: 700-6000 rpm



WORLD TRANS

REV GROUP



Bus Technical Specifications

E/G22

E/G24

E/G26

Revision 2016-05-02 (Preliminary Release)

1. Scope

These specifications define requirements for medium-duty cutaway buses. Buses shall have a minimum expected life of seven (7) years or 200,000 miles, and are intended for the widest possible spectrum of passengers, including children, adults, the elderly and people with disabilities. Buses shall be certified for the seven year 200,000 mile durability through the Altoona test track per the FTA bus test regulations set forth in 49 CFR Part 665.

2. Legal Requirements

The Contractor shall comply with all applicable federal and state regulations. These shall include but not be limited to ADA, as well as state safety requirements. Buses shall meet all applicable FMVSS regulations in effect at the date of manufacture.

3. Manufacturer Certifications

The body manufacturer must be an ISO 9001:2008 certified company and have a "Fully Meets" rating in the Ford Quality Vehicle Manufacturer Program. Proof of compliance must be submitted with the bid.

4. Overall Vehicle Dimensions and Capacities

Model	E/G22	E/G24	E/G26	E/G22N
Max Passengers (Fixed Seating)*	19 + Driver	21 + Driver	25 + Driver	13 + Driver
Max Seating Rows	5	5	6	5
Interior Height at Center Aisle	80"	80"	80"	80"
Interior Height 6" from Side Wall	75"	75"	75"	75"
Interior Width	90"	90"	90"	82"
Entrance Door Width	30"/40"	30"/40"	30"/40"	30"/40"
Entrance Door Height	86"	86"	86"	86"
Overall Height (Wheelwell Floor)	117"	117"	117"	117"
Overall Height (Flat Floor)	122"	122"	122"	N/A
Overall Length with Bumpers (Ford)	22' 2"	24'	26' 2"	22' 2"
Overall Length with Bumpers (GM)	22' 8"	24' 6"	26' 8"	22' 8"
Overall Width with No Mirrors	96"	96"	96"	88"
Wheelbase (Ford)	138"/158"	158"	176"/190"	138"/158"
Wheelbase (GM)	139"/159"	159"	177"	139"/159"
GVWR (lbs) (Ford)	11,500 12,500 14,500	11,500 12,500 14,500	14,500	11,500 12,500 14,500
GVWR (lbs) (GM)	12,300 14,200	12,300 14,200	14,200	12,300 14,200

* Maximum passenger capacity subject to weight calculation of specific vehicle configuration.

5. Chassis

- a. Front Axle: 4,600 or 5,000 lb (Ford E-Series). 4,300 or 4,600 lb (GM G-Series), appropriate for GVWR and weight distribution.
- b. Rear Axle: 7,800, 8,500 or 9,500 (Ford E-Series), 8,600 or 9,600 lb (GM G-Series), appropriate for GVWR and weight distribution.
- c. Engine: 5.4L or 6.8L gasoline (Ford E-Series), 6.0L gasoline (GM G-Series)
- d. Transmission: 5- speed automatic (Ford E-Series), 6-speed automatic (GM G-Series)
- e. Brake system: Power, self-adjusting, four wheel disc with four wheel anti-lock
- f. Fuel Tank: 40gal or 55gal rear-mount (Ford E-Series), 37gal mid-ship mount or 57gal rear-mount (GM G-Series) appropriate for required fuel range and weight distribution. The vehicle fuel tank must be installed by the chassis manufacturer; fully compliant with California Air Resources Board (CARB) standards and must not be modified in any way.
- g. Exhaust: Exhaust system to be aluminized exhaust pipes and muffler properly installed with heat shield and baffles.
- h. Standard alternator output: 225A Ford, 220A Chevrolet.
- i. Batteries: Dual batteries rated at 650CCA minimum. Standard is one under hood, one on frame rail. Both may be optionally relocated to a battery box.

6. Body Structure

The body shall be a steel cage construction. All structural members in the floor, side walls, rear wall, and roof shall be G40 galvanized steel material for corrosion resistance. The body cage should be at least 50% spot welded to ensure structural integrity and to minimize the effect of welding on the galvanized corrosion protection. A full FEA analysis of the body cage shall be performed to show compliance to minimum requirements.

The body cage structure, at a minimum, to have been tested to the following:

1. All applicable FMVSS regulations
2. Buses shall be certified for the seven year 200,000 mile durability through the Altoona test track per the FTA bus test regulations set forth in 49 CFR Part 665
3. FMVSS 220, School Bus Rollover Protection
4. FMVSS 214, Side Impact Protection

Prior to installation on the chassis, the body cage structure shall be assembled using leveling and squaring fixtures to ensure consistency and a plumb, square and level structure. Specific body cage construction elements shall include:

- a. **Floor:** The floor frame shall be constructed of 11 gauge, G40 galvanized tubular crossmembers at least 2" wide X 2" high with a minimum strength of 50,000 psi. The tubular crossmembers shall be spot welded to a continuous G40 galvanized C-channel forming the perimeter of the floor structure. Crossmembers shall be placed at body mount isolator locations as provided by the chassis manufacturer. The floor frame shall be secured to the chassis frame in accordance with the chassis manufacturer's recommended practices.
- b. **Side Walls:** Side walls shall be constructed of G40 galvanized 45,000 psi steel modular sections. Each modular section shall include vertical C-channels along its forward and rearward boundary, a horizontal C-channel along its upper boundary, and a Z-shaped section at its lower boundary. Each modular section shall include a diagonal channel to form a strong truss. Modular wall sections shall be spot welded to adjacent fore and aft sections to form a structural I-beam at each window section. Modular wall sections shall be spot welded at their upper C-channel to a continuous 14 gauge, 1-1/2" x 2" tubular longitudinal member to form the top of the side wall. Modular wall sections shall be spot welded along their lower boundary to the continuous C-section of the floor perimeter. A continuous G40 galvanized seat track shall be spot welded to a continuous HSLA Grade 60 G40 galvanized roll formed stringer supporting the seat track on three sides, and the stringer shall be welded to the adjacent structural members of the cage wall.
- c. **Roof:** The roof consists of 1.5" x 1.5" G40 galvanized tubular steel roof bows installed on maximum 48" centers. The end of each roof bow is welded into a continuous longitudinal gauge G40 galvanized steel C-channel forming the perimeter of the roof. The continuous C-channels at the perimeter of the roof shall be spot welded to the continuous longitudinal tubes along the top of each wall.
- d. **Rear Wall:** The rear wall consists of MIG and spot welded 1.5" x 1.5" G40 galvanized main structural members and diagonal reinforcements. The rear wall design ensures similar strength and performance for both rear window and rear door versions. A section of G40 galvanized Z-section shall be welded to the bottom of the rear wall to form the interface to the floor.

7. Body Exterior

- a. **Roof:** The roof exterior panel shall consist of a one-piece composite material that is lightweight, extremely durable and impact resistant. The roof panel shall have no seams other than at the junction of the roof panel and the front and rear caps.
- b. **Side Walls:** Exterior side wall panels shall be constructed of a 2.5 mm gel-coated product that is a durable semi-rigid fiberglass reinforced polyester resin (FRP). This gel-coated surface shall be highly scratch and abrasion resistant with excellent weathering characteristics and shall maintain integrity from -40 to 180 degrees Fahrenheit.
- c. **Wall Skirts:** Exterior wall "skirting" below the floor line of the passenger compartment must be removable and replaceable for ease of maintenance. Collision with the skirting alone shall not transmit damage to the floor or wall structure. Wheels and tires shall be removable with the



skirts in place. Flexible black fender flares shall be provided at the rear wheel housing. Mud flaps are included behind the rear tires.

- d. Front Bumper: The OEM chassis chrome bumper shall be provided on the front of the bus.
- e. Rear Bumper: The rear bumper shall be constructed from 10 gauge steel, powder coated.

8. Body Interior Panels and Finishes

Panels below the seat rail shall be a black, heavy-duty material. H-rail and screws along the seams retain the ceiling panels. Trim molding covers the seams and fasteners. Interior side wall panels are Vinyl coated lauan with upgrade options.

Front bulkhead and transition panel cover shall be light gray ABS plastic, or a combination of a padded vinyl and other automotive materials.

Entry grab rails shall be installed on both sides of the front entry area. A stanchion and modesty panel shall be provided aft of the entry door.

9. Corrosion Resistance

In order to provide superior corrosion resistance, all tubular and fabricated steel shall be galvanized, minimum G40, with the coating applied during the steel milling process. The body cage shall be at least 50% spot welded to minimize the effect of welding on the galvanized corrosion protection. MIG welds and any MIG-weld-affected areas of galvanized steel components shall be treated with cold galvanizing compound after welding.

The body floor sub-frame assembly shall be primed to meet the 1,000-hour salt spray test per ASTM procedure B-117, with no structural detrimental effects to normally visible surfaces. The floor structure shall also be rated no less than five using the crosshatch adhesion test per ASTM D3359.

Prior to shipment, the vehicle shall be undercoated with water-based heavy duty undercoating.

10. Safety Interlock System

Units equipped with wheelchair lifts come standard with an automatic fast idle module and an FMVSS 403 and 404 compliant wheelchair lift interlock system. The fast idle module elevates engine speed under certain preset conditions, including high electrical demand. The wheelchair lift interlock system will ensure the lift can only be activated when the vehicle transmission is in park and the parking brake is set. The interlock system will prevent the transmission from shifting from park if the wheelchair lift doors are open, or the parking brake is applied. Optionally, the interlock system can prevent the transmission from shifting from park if the entry or rear emergency doors are open.

11. Passenger Entry

front and back that include all components / circuits. Wiring should be point to point and the use of relays is only allowed when switches are not available for the required load. AC High speed, AC Medium speed, AC condenser, AC Clutch and master body relay.

- a. A/C Electrical System: System shall include a single compressor AC system included in the power distribution center and have the ability to add a second single compressor system in the same location.
- b. Stop Request: An optional stop request system shall include 2 different tones for passenger and ambulatory passengers per ADA requirements including a remote mounted speaker located in the OEM dash driver switch panel. Buzzer must also have adjustable volume by the driver. A reset of the card system must be included for entry door cycle or switch in the driver console. Card must be plug n play for ease of replacement.
- c. Heating: The system must have the ability to operate two separate heaters with independent high and low speeds. An output shall be included that is common for any heater output to be used for a water valve or pump.
- d. Driver Switches: Switches must have amber backlighting that operates when the chassis running lamps are turned on. They must also include an amber operation LED for any components on the exterior of the vehicle or any item a driver cannot easily identify as being turned on. Switches must be a rocker style and rated at a minimum of 20A.

15. Electrical Body Wiring Harness

General-purpose wiring shall be cross-linked polyolefin insulated and shall meet SAE standards J1127 & J1128 types SGX and GXL. Wires shall be stamped every 6". Multiple colors are required for different circuits and can be done through solid colors or colors with stripes. One color harnesses are not allowed. All harnesses shall contain a protective barrier through the use of loom, grommets, wire ties and insulated clamps. Routing shall be used as to best protect the harness. Protective covering shall be rated for the area of routing. Temperature, liquids and chafing shall be considered. All connectors shall be plug in type and keyed connectors with locks meeting SAE automotive standards. Dielectric grease shall be used on all exterior connections.

16. Lighting, Exterior

All exterior lighting, with the exception of lighting supplied by the chassis manufacturer, shall be LED. The use of butyl tape is not allowed.

- a. Marker Lights: Lights must be mounted in a recessed grommet and be 3/4" round / self-sealing style. This applies to all amber and red marker lights.
- b. Tag Light: Light must be mounted in an anti-corrosion ABS housing and mounted using a gasket.
- c. Side Turn / Marker: Should be Super 60 style single light and recess mounted.

- d. Stop-Tail-Turn-Backup Lights: Lights shall be 4" round and mounted in a recessed grommet. Grommet and lights shall be sealed separately during installation.

17. Lighting, Interior

LED dome lights to be provided. The passenger compartment lighting shall be controlled by a switch located within the driver area. All interior lights shall be the same style / model light for luggage light, lift light, dome lights, driver map light and entry door step light. Each light shall be a minimum of 500 lumens.

- a. Driver Map Light: Light must operate with the OEM driver door open or OEM dash dome light switch.
- b. Interior Dome Lights: Interior lights require a minimum of 3 lights (2 driver side located across from wheelchair door locations and 1 passenger side centered in the body) with the ability to upgrade to 6 lights (3 spaced evenly on the driver and 3 on the passenger side). Lights must operate with passenger entry door open or interior dome light switch located in the driver dash.
- c. Entry Door Step Light: Step light shall be mounted above the entry door. Step light must operate with passenger entry door open or interior dome light switch located in the driver dash.

18. Floor Subfloor and Covering

The plywood floor shall be minimum 5/8" thick, CDX or equivalent grade plywood, mounted with Tek screws installed into the steel floor frame. All plywood edges should be sealed. The rear wheel housings shall be 14 gauge galvanized steel.

Interior floor covering shall be slip resistant flooring with a minimum of 70 mills in thickness. The passenger area will have a level floor throughout except for the wheel well section for the rear axle/wheels. A flat floor option is available to provide a level floor throughout the passenger compartment.

19. Insulation

The body roof and side walls shall be insulated with spray-applied expanding foam insulation to fill gaps and provide adhesion to the exterior panels across the entire panel surface. Insulation in sides, rear, and roof shall be equal to an R-9.5 thermal barrier and sound absorption.

20. Seating

Driver seat shall be OEM as provided by the chassis manufacturer.

Passenger seats shall be manufactured by HSM and shall be tested to prove compliance with FMVSS 207/FMVSS 210. Seats shall be mid-high type and installed as shown on the vehicle floor plan.

Passenger seats shall to be fastened to floor and wall seat tracks spanning the length of the passenger seating area utilizing a continuous galvanized seat track. The seat track shall be spot welded to a continuous HSLA Grade 60 G40 galvanized roll formed stringer supporting the seat track on three sides, and the stringer shall be welded to adjacent structural members of the cage floor or wall. All seat installations shall comply with FMVSS 207/210 seat pull testing requirements.

21. Heating, Ventilation, and Air Conditioning

- a. The front heater, front air conditioner, and defroster shall be OEM as supplied by the chassis manufacturer with controls located on the dash within easy reach of the driver.
- b. Provisions shall be made for supplying heated coolant to optional heaters in the passenger cabin. A coolant shut-off valve installed in the rear heater hoses is standard and shall be located under the cab behind the driver's area.
- c. The vehicle may be equipped with an optional heater rated at 65K Btu.
- d. The vehicle may be equipped with an optional rear auxiliary air conditioning system. The rear system shall include an independent compressor, skirt-mounted condenser, and rear evaporator. When combined with the OEM front air conditioning, the total system capacity shall exceed 60K BTU and shall meet performance requirements for the Houston pull down test.
- e. All heating and air conditioning lines and hoses shall be sufficiently protected to ensure against wear from friction and the elements. There shall be no heating lines routed within the passenger compartment.

22. Road and Water Test

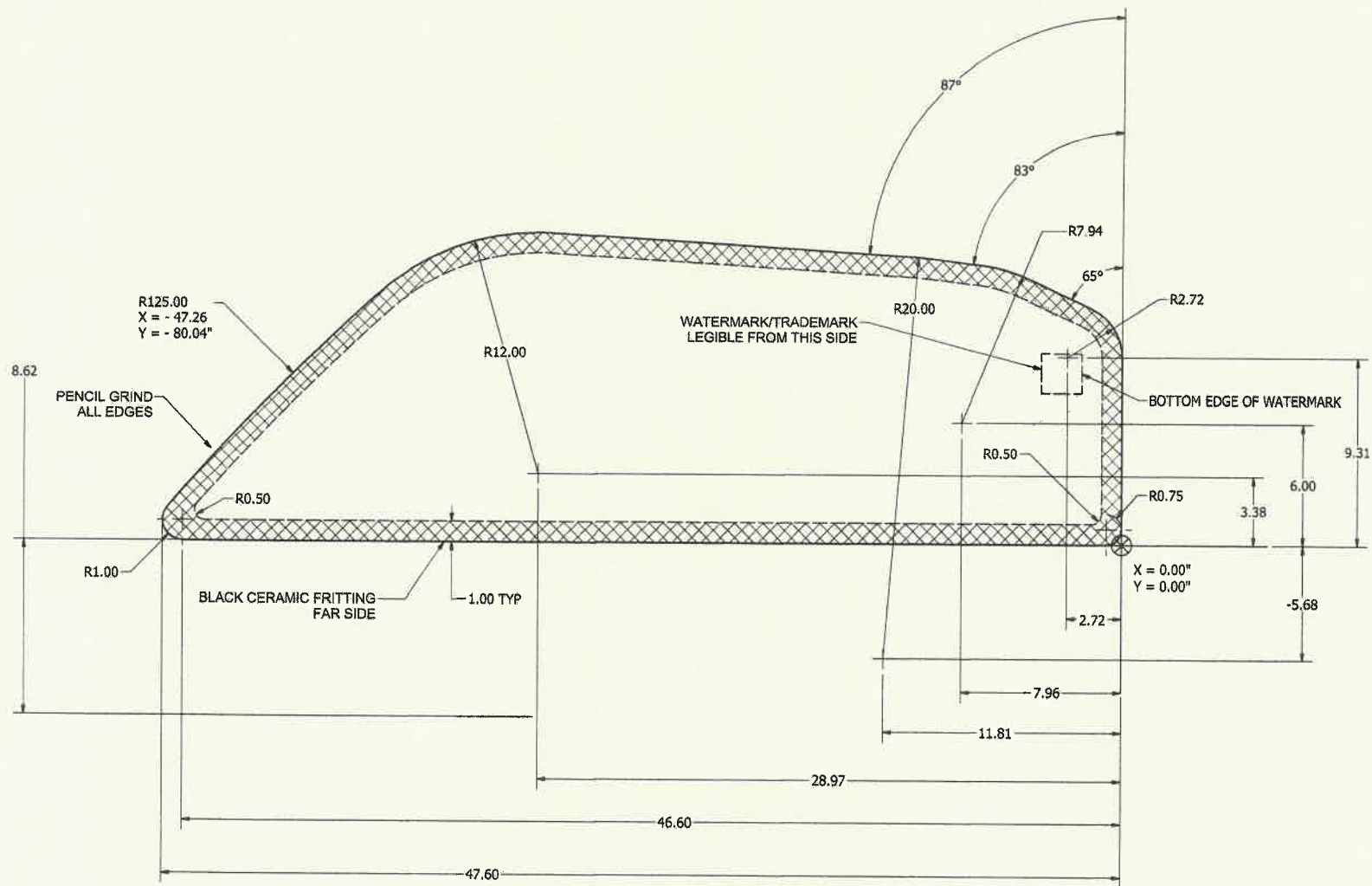
Prior to shipment, the bus shall undergo thorough road and water testing to verify operational readiness.

The purpose of the road tests is to observe and verify the operation of the bus as a system and to verify the functional operation of the subsystems that can be operated only while the bus is in motion. Each bus shall be driven a minimum of 5 miles on the road test.

Prior to water test, the bus shall be driven a minimum of one-half mile on a track simulating various rough road conditions including staggered bumpers, chatter bumps and frame twists. The water test shall be run for 15 minutes to check the integrity of the vehicle's body seams, window frame seals and other exterior component close-outs for their ability to keep rainwater, road splash, melting snow and slush, and other exterior water from entering the inside of the vehicle. If a water leak is found, it will be repaired and the vehicle will be retested.

23. Quality Assurance

The Contractor's Quality Management System shall be registered as compliant with ISO 9001:2008.



442376 INP ECN 14832	MATERIAL: Glass, 1/8 THICK CLEAR TEMPERED, AS2		THIS DRAWING AND ALL INFORMATION THEREON IS THE PROPERTY OF COLLINS IND. INC.		SCALE 1/4	DRAWN BY: CDS	DATE: 2/23/2016
	COLLINS BUS CORPORATION		TOLERANCES UNLESS NOTED XX +/- .06 XXX +/- .005 ANG +/- 1°	ALL DIMENSIONS IN INCHES UNLESS NOTED			
	FORM F-7.3.01 REVISION A INVENTOR:			DRAWING SIZE: C			5.9 lb/mass
	TITLE: GLASS TEMP VIEW WINDOW FORD						2376

PURE ASPHALT COMPANY

3455 W. 31ST Place
TELEPHONE 773-247-7030 TELEFAX 773-247-7066
CHICAGO, IL 60623

Product Data Analysis

Properties

Flash	76M
VOC	Not Applicable (water)
Dry Film Thickness	Zero
Wt/Gal	8-10
Solids/wt	9.3
Theoretical Coverage	52%
Time dry to touch	86.6sq ft/gallon
Full Cure time	30-45 minutes
	16-24 hours

Corrosion Testing

ASTM B-117 (5% salt spray)	1200 hours at 10 mils dft
ASTM D-1748 (100% humidity)	1200 hours at 10 mils dft
Weathering Hours (Fed Std 141)	300 hours at 10 mils dft
SAE J-2334 (Magnesium Chloride)	40 cycles pass
Fed Spec TTC-520-B (Fed Bus Spec)	Pass
FMVSS 302 (Fed Burn Spec)	Pass

The coating provides a film that is abrasion resistant, and provides sound deadening.

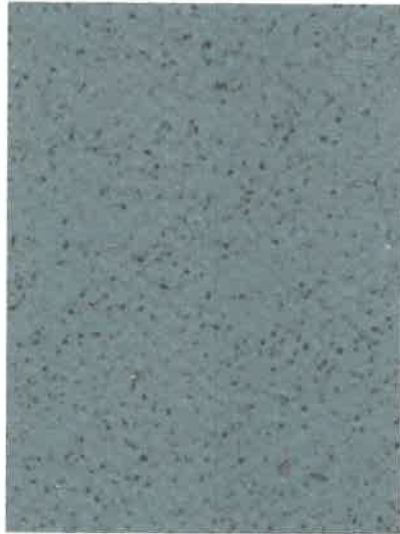
DESCRIPTION		
Backing		NT
Thickness		2.25 ± 0.15 mm 0.088 ± 0.006"
Weight		2.20 ± 0.15 kg/m ² 4.05 lb/Sq.Yd
Roll width		200 cm 6.56'
Roll length		24 lm 78.72'
PERFORMANCE		
Dimensional stability	ASTM D 1204	≤ 0.3 %
Abrasion resistance	ISO 9352 TABER TEST	300 ± 50 mg 0.01 ± 0.002 oz
Indentation resistance	EN 433	≤ 0.2 mm < 0.008"
Low temperature resistance	D 42 1235 A	- 20°C / -4°F
Sound Damping Characteristics	ISO 717/2	ΔI = 5 dB
Color fastness	ASTM D 4459	≥ 7
Slip resistance	ASTM D 2047	> 0.6
Fire resistance	FMVSS 302 (ISO 3795/76)	Conform
	Docket 90a (ASTM E648) (NFPA 253)	Class 1 (CRF > 0.45 W/cm ²)
Resistance to chemicals	EN 423	Unaffected by diluted acids and bases Unaffected by domestic products (excluding solvents for plasticized PVC)

SIRIUS



NT

6768 Griffon



NT

6782 Dune



NT

6451 Corsaire



NT

6727 Anthracite



NT

6801 Graphite

FEATHER WEIGHT

**MID-HI SEAT
"ROCK SOLID"**



Sustainable Seating Solutions

Freedman Seating Company's Feather Weight seats are designed to be like feathers on a bird: light and airy to satisfy weight restrictions and ensure a smooth ride, yet durable for years of service and low maintenance.

Freedman Seating Feather Weight seats are the most severely tested in the company's history, and meet all applicable federal motor vehicle safety standards for strength and safety (including 210 for seat belts).

Less weight means one thing to bus builders and operators: they can get more passengers per bus.

And when we say more passengers, ***we mean more happy passengers.***



Not Just Seats



Seating Solutions™

THE FEATHER WEIGHT SERIES BY

FREEDMAN

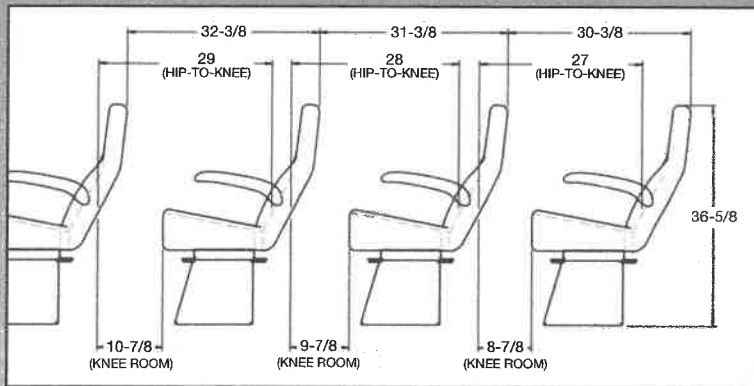
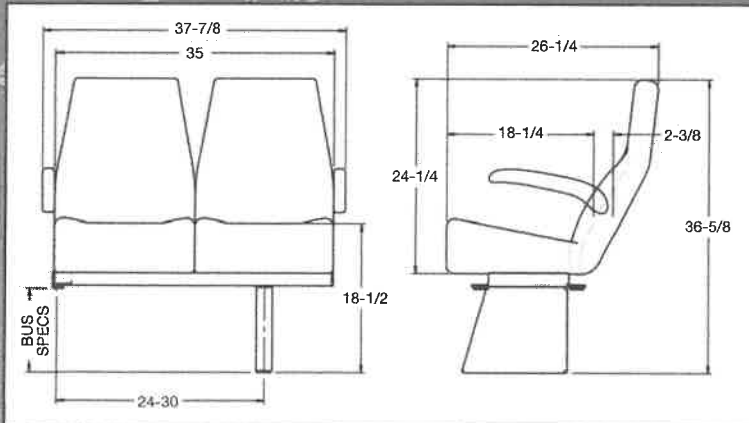
SEATING COMPANY

an ISO 9001:2000 certified company

FEATHER WEIGHT



MID-HI SEAT "ROCK SOLID"



Sustainable Seating Solutions

Whether your bus is for tour/charter, para-transit, or shuttle, Feather Weight Mid-Hi works for you. Optional adjustable headrests and reclining back-rests give you luxuries for long journeys, while grab rails and ABS plastic backs provide the function and safety required for shorter trips. The ultra-thin backrest gives outstanding support and creates more hip-to-knee room than any other seat in its class. The steel frame system meets or exceeds all applicable government standards for safety and durability. And, it's light as a feather!

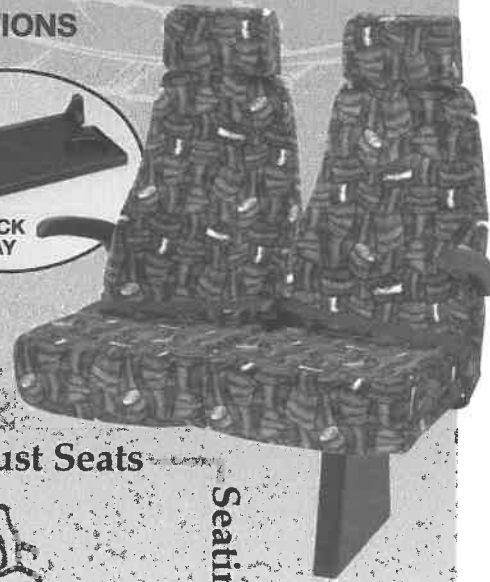
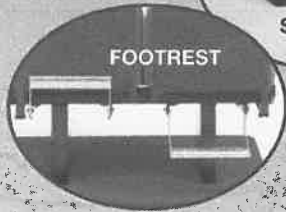
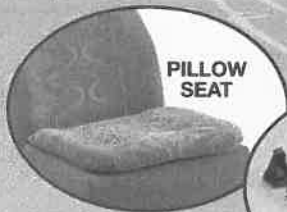
Feather Weight Mid-Hi features include:

- An ultra-thin *Knee-Saver* type backrest for added hip-to-knee room and lumbar support
- Molded polyurethane seat and back cushions for comfort and long lasting support
- 17½" wide seat cushions
- 22½" back height off the seat cushion, 37" off the floor
- Wire mesh-grid seat springs for even support
- FMVSS 210 compliance—all *Feather Weight* seats are seat belt ready
- Transit style—rigid backrests (starting weight without options—43 lbs.)
- Touring style—reclining backrests (starting weight without options—47 lbs.)
- Covers that can be removed and replaced easily and without the use of special tools

Feather Weight Mid-Hi options include:

- Black molded *U.S. Arms* or upholstered flip-up armrests
- Adjustable headrests
- Black or yellow corner AV grab rails
- Black or yellow top AV grab rails
- ABS plastic backs
- Mesh map pockets
- Vertical stitching
- FTA foam
- Snack trays
- Aluminum folding footrests
- Pillow seat cushions
- Rear row quick disconnect
- Side sliders
- 16", 18" or 19" wide seats available
- Rigid or reclining backrests
- Seat belts
 - Non-retracting seat belts
 - Retracting seat belts
 - USR (Under Seat Retractors)
- S3 Bio-Cushions (Made with vegetable oil)
- A wide variety of cloths and vinyls
- S3 cloths (Made with recycled yarn)

OPTIONS



Not Just Seats



Seating Solutions™

FREEDMAN
SEATING COMPANY
an ISO 9001:2000 certified company

4545 W. Augusta Blvd., Chicago, IL 60651
(773)524-2440 (800)443-4540 Fax (773)252-7450
e-mail: sales@freedmanseat.com
WWW.FREEDMANSEATING.COM

We are constantly updating and improving our seats; therefore we reserve the right to change or modify specifications or materials without notice. All Freedman Seating Company seats meet or exceed FMVS standards.
ISO 9001:2000 registered

FREEDMAN

SEATING ICS

(Integrated Child Seat)

KIDS & SAFETY

**WHAT COULD
BE MORE
IMPORTANT?**

Also available
the ICS-10,
for children
up to 10 years old.

Not Just Seats



THE FEATHER WEIGHT SERIES BY

FREEDMAN
SEATING COMPANY

an ISO 9001:2000 certified company

Seating Solutions™



FREEDMAN

SEATING ICS

(Integrated Child Seat)

Kids and safety, what could be more important? Nothing!

That's the underlying principle behind the Freedman ICS (Integrated Child Seat) and ICS-10.

The ICS is designed for children from 22–51 lbs. and the ICS-10 can accommodate children up to 10 years old, 22–78 lbs. Both ICS seats are comfortable for adults and safe for children.

A tapered back provides unrestricted viewing for drivers, and best of all, the shoulder belts can be adjusted in seconds without taking the seat apart or clumsy operations.

Standard Features:

- Accommodates children 22–51 lbs. (22–78 lbs for the ICS-10)
- Matching companion seat available
- Fold down tongue can be folded to act as a booster seat
- Easily adjustable shoulder straps
- Standard with FMVSS 213 and 210 seat belt anchorage compliance
- Retrofittable; Fits on most Feather Weight frames!

Options:

- Available in a wide variety of vinyls and cloths
- Upholstered or US Arms
- Adjustable footrests
- Freedman USR (Under Seat Retractor)
- Available as a single or double
- Grab rails

Not Just Seats



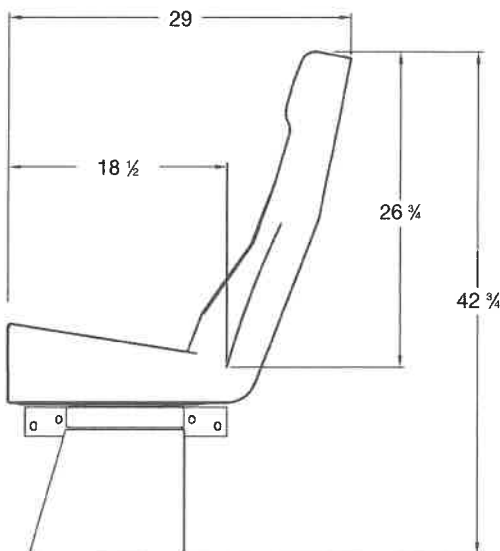
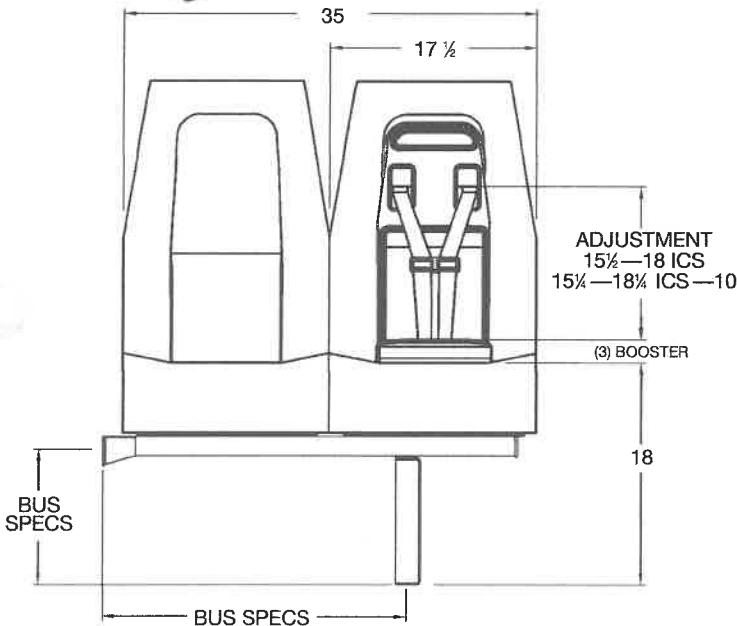
Seating Solutions™

THE FEATHER WEIGHT SERIES BY



4545 W. Augusta Blvd., Chicago, IL 60651
 (773) 524-2440 (800) 443-4540 Fax (773) 252-7450
 WWW.FREEDMANSEATING.COM
 e-mail: sales@freedmanseat.com

We are constantly updating and improving our seats; therefore we reserve the right to change or modify specifications or materials without notice. All Freedman Seating Company seats meet or exceed FMVSS standards.



FEATHER WEIGHT

HIGH-BACK SEAT

Freedman Seating Company's Feather Weight seats are designed to be like feathers on a bird: light and airy to satisfy weight restrictions and ensure a smooth ride, yet durable for years of service and low maintenance.

Freedman Seating Feather Weight seats are the most severely tested in the company's history, and meet all applicable federal motor vehicle safety standards for strength and safety (including 210 for seat belts). Less weight means one thing to bus builders and operators: they can get more passengers per bus. And when we say more passengers, ***we mean more happy passengers.***



Not Just Seats



THE FEATHER WEIGHT SERIES BY

FREEDMAN
SEATING COMPANY

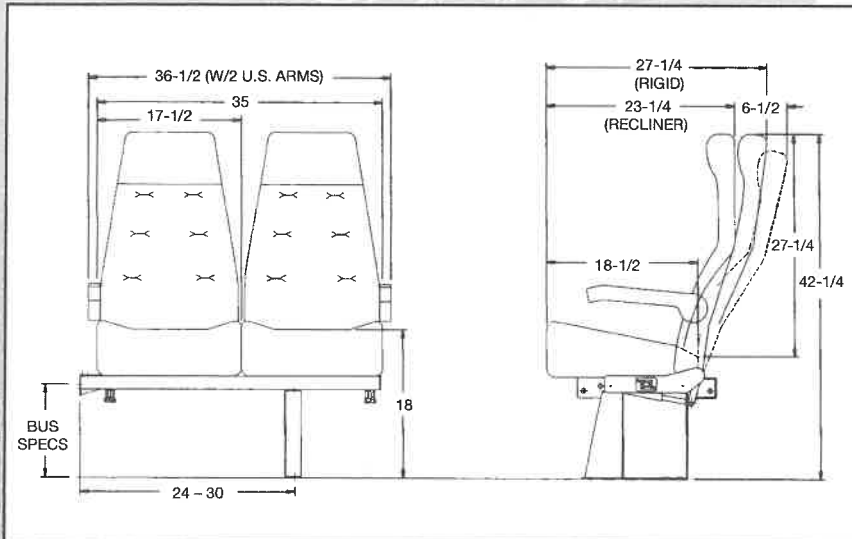
an ISO 9001:2000 certified company

Seating Solutions™

FEATHER WEIGHT

HIGH-BACK SEAT

Cross-country or cross-town, the Freedman Feather Weight High-Back gets you there in safety and comfort. The headrest actually cradles your head, and provides unrestricted viewing. The ultra-thin backrest gives out-standing support and creates more hip-to-knee room than any other seat in its class. The steel frame system meets or exceeds all applicable government standards for safety and durability. And, it's light as a feather!



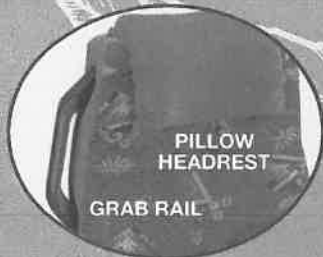
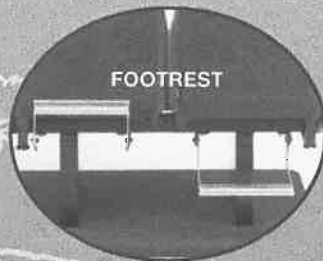
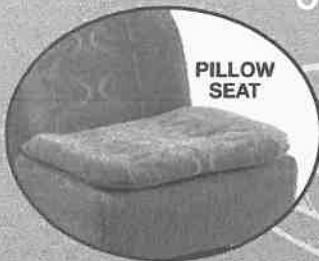
Feather Weight High-Back features include:

- An ultra-thin *Knee-Saver* type backrest for added hip-to-knee room and lumbar support
- Molded polyurethane seat and back cushions for comfort and long lasting support
- 17½" wide seat cushions
- 27¼" back height off the seat cushion, 42¼" off the floor
- Wire mesh-grid seat springs for even support
- FMVSS 210 compliance—all *Feather Weight* seats are seat belt ready
- Covers that can be removed and replaced easily and without the use of special tools

Feather Weight High-Back options include:

- Black molded *U.S. Arms* or upholstered flip-up armrests
- Mesh map pockets
- Vertical stitching
- FTA foam
- Snack trays
- Aluminum folding footrests
- Pillow seat cushions
- Pillow headrests
- Side grab rail
- U.S.R.—Under Seat Retractors
- 16" or 19" wide seats available
- Rear row quick disconnect
- CRS-225 hooks and tethers
- Side sliders
- Cup holders
- Seat belt loops

OPTIONS



Not Just Seats



Seating Solutions™

THE FEATHER WEIGHT SERIES BY

FREEDMAN
SEATING COMPANY

an ISO 9001:2000 certified company

4545 W. Augusta Blvd., Chicago, IL 60651
(773) 524-2440 (800) 443-4540 Fax: (773) 252-7450

WWW.FREEDMANSEATING.COM

e-mail: sales@freedmanseat.com

We are constantly updating and improving our seats; therefore we reserve the right to change or modify specifications or materials without notice. All Freedman Seating Company seats meet or exceed FMVSS standards.

US Armrest



[CLICK TO VIEW LARGER IMAGES:](#)



© 2017 Freedman Seating Company
4545 West Augusta Boulevard
Chicago, IL 60651
AN ISO 9001-2008 CERTIFIED COMPANY

PHONE: 800-443-4540
FAX: 773-252-7450
EMAIL: info@freedmanseating.com

AV Grab Handle



QRT Deluxe Q8100-A1-L Tie Downs



FEATURES AND BENEFITS

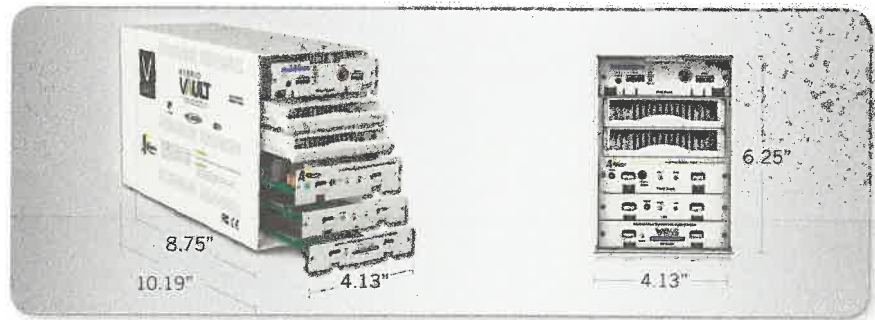
<p>Dual Tightening Knobs Provides additional tensioning if needed</p>	<p>Foot Release Lever Easy release eliminates the need to bend down</p>	<p>J-Hook Reduces twisting of belts and ensures proper securement with a quarter turn accommodating virtually all wheelchair designs</p>
<p>Durable Constructed from hardened steel and coated in zinc for maximum corrosion resistance</p>	<p>Universal Design Accommodates virtually all wheelchair designs, including scooters</p>	<p>Accommodates Larger Wheelchairs Reduced overall retractor length leaves more room for wheelchairs</p>
<p>Low Profile & Compact No mounting bracket allows retractors to fit under most footrests</p>	<p>Interchangeable Eliminates confusion; no right, left, front or rear locations</p>	<p>Positive Lock Indicator Patented feature clearly indicates when fitting is locked in anchorage (L-track application only)</p>
<p>Self-Tensioning No manual tensioning required. Retractors automatically take up 'slack' to ensure</p>	<p>Automatic, Self-Locking Allows easy, one-handed hook-up of wheelchairs</p>	

wheelchair passenger is
always secured

Hybrid Vault™ Mobile DVR

DVR DIMENSIONS & WEIGHT

- Height: 6.25 inches
- Width: 4.13 inches
- DVR Depth: 8.75 inches
- Depth w/ Back Cover: 10.19 inches
- Weight: 6.75 pounds



EIGHT (8) A/V INPUTS

- 8 camera inputs
- 8 audio inputs
- 1 A/V output

STORAGE MEDIA

- Recording medium: two (2) 500GB 2.5" solid-state drives
- Capacity: 1TB (standard) up to 2TB
- USB host: backup video data to standard flash drive from USB host port
- USB slave: backup video data to laptop from USB slave port



INTERFACE

- RJ-45 for network data connection
- RJ-45 remote status indicator (panic button)
- RS232 for expansion
- Male 6 pin DIN port for GPS interface



PANIC BUTTON

- The remote status indicator (panic button) can be connected to show DVR status without using a video monitor
- The driver-operated panic button has the following functions:
 - Flashing green LEDs indicate that the unit has power and is recording
 - Event marker (panic button)
- Driver action detection includes 8 signal wires and panic button



ALARMS

- Up to four (4) configurable alarm inputs with rule-based event recording

RECORDING OPTIONS

- Continuous record: the system will record all channels continuously while the vehicle is running (factory setting)
- Alarm record: the system will boot and record when an alarm is triggered
- Motion record: the system will boot and record when the cameras detect motion while the vehicle is running

ELECTRICAL & OPERATING REQUIREMENTS

- 12VDC negative ground
- Auto on/off detection
- Delay off setting (0 - 240 min.)
- Operating voltage: 9 ~ 30 VDC
- Operating temperature: -40°F* ~ 185°F (-40°C* ~ +85°C)
- Power consumption: < 2A

POWER SUPPLY

- Input range: DC9 ~ 30V
- Output range: DC12V/5V/1.8V
- Output current: < 2A
- Low voltage protection
- Auto on/off detection

MOUNTING AND ENCLOSURE

- Removable, shock-mounted
- Vandal-proof case
- Stamped metal, shock-resistant DVR housing

GRAPHICS & COMPRESSION

- Compression format: MJPEG or H4L user selectable
- Record resolution: 720 x 480 NTSC
- Record frame rate: 60fps maximum (MJPEG) / 120fps maximum (H4L)



OPTIONAL COMPONENTS

LAN COMPONENT

- Optional internal 800MHz LAN connectivity allows the DVR to communicate through the optional AP or Cellular Router to transmit data wirelessly over existing wireless LAN and cellular networks

SD DAUGHTERBOARD

- Optional SD Daughterboard component allows the DVR to store its most recently recorded data and footage on a solid-state SD card (SD card sold separately)

VIRTUAL SYNCHRONIZED MAPPING

- Internal Virtual Synchronized Mapping™ module with North American maps
- Includes GPS-C1 antenna
- Embeds GPS tracking information synchronized with recorded video footage



MANUFACTURER'S LIMITED WARRANTY

FOR THE WORLD TRANS PRODUCT LINE – MANUFACTURED BY ELDORADO

Dear World Trans Customer,

Welcome to your new World Trans Bus. We thank you for your decision to purchase this world class product. This document outlines the warranty coverage offered with every new World Trans vehicle.

For more information, or if you have questions regarding your coverage, please call World Trans Customer Care at (844) 4-REV-BUS, or (844) 473-8287.

DEFINITIONS:

Conversion Warranty - This is the warranty provided by World Trans for all additional components, body structure, and assembly of the finished World Trans Product (the "Product") and is comprised of the following:

- **World Trans Basic New Vehicle Limited Warranty** – the standard warranty covering the first Purchaser and subsequent Purchasers within the terms outlined later in this document.
- **World Trans Body Structure Limited Warranty** – the warranty covering the body structure of the conversion portion of the finished Product under the terms outlined later in this document. This warranty is offered to the original Purchaser only.
- **World Trans Paint Limited Warranty** – the warranty covering the exterior paint on the finished Product. This coverage is applicable to the original retail Purchaser only and is prorated after 12 months.

Chassis Warranty - This is the warranty provided by the chassis manufacturer (e.g. Ford, General Motors, Freightliner, or International).

Third-Party Warranty(ies) – These are warranties provided on specific systems or components installed on the World Trans Product that remain warranted by the component supplier. For example, these items may include A/C units, wheelchair lifts, tires or seating systems where the supplier provides service and support directly to the end-user.

Product - All vehicles, parts and components manufactured by Eldorado National (Kansas), Inc. d/b/a World Trans, a wholly owned subsidiary of REV Group, Inc.

Purchaser - The individual, group, company, or other legal entity that purchases, at retail, a new World Trans Product as the end-user either from an authorized World Trans Dealer, or directly from World Trans.

STANDARD WARRANTY TERMS:

1. World Trans Warranty

The World Trans Basic New Vehicle Limited Warranty period runs for three (3) years from the original date of retail purchase by the Product's first Purchaser, or for thirty-six thousand (36,000) odometer miles, whichever occurs first.

World Trans provides additional coverage for those components defined under the World Trans Body Structure Limited Warranty, and the World Trans Paint Limited Warranty outlined herein for a period of five (5) years from the original date of retail purchase by the Product's first Purchaser, or one hundred thousand miles (100,000), whichever occurs first.

During these specified warranty periods, World Trans agrees to provide coverage for parts and labor to perform repairs necessary subject to the items and limitations of this warranty agreement. Specific warranty details are described later in this document within the sections **"What is Covered by this Warranty"** and **"What is Not Covered by this Warranty"**.

2. Chassis Warranty

The Product's Chassis is covered exclusively by the warranty provided by the Original Equipment Manufacturer (OEM) (e.g. Ford, General Motors, Freightliner, International, etc.) and is not warranted by World Trans. Please consult the warranty documents available from the chassis OEM.

If you have questions on warranty coverage between the World Trans Warranty and Chassis Warranty, please contact World Trans Customer Care at (844) 4-REV-BUS, or (844) 473-8287.

3. Third-Party Warranty

In many cases, components such as air conditioning units, wheelchair lifts, tires and other non-World Trans components are installed during manufacturing and carry their own unique warranty coverage.

While World Trans Customer Care will assist wherever possible, these individual components shall be warranted by the respective supplier per the terms and conditions of each respective warranty, and shall not be the responsibility of World Trans. Under these circumstances, a supplier's warranty statement will be provided with each new World Trans Product and will be available upon request.

WORLD TRANS CONVERSION WARRANTY STATEMENT:

World Trans warrants each new Product will be free of defects in materials and workmanship used during the conversion manufacturing process. Warranty coverage is provided based on ordinary use and service within the expressed time and mileage limits set forth herein. In the event your vehicle requires repairs, the following terms and conditions shall apply:

WARRANTY TERMS AND CONDITIONS

The following Terms and Conditions apply to all World Trans warranties described herein:

1. **Disclaimer of Warranty.**

THE FOREGOING WARRANTIES ARE IN LIEU OF ALL OTHER WARRANTIES, EXPRESS OR IMPLIED, INCLUDING BUT NOT LIMITED TO THE IMPLIED WARRANTIES OF MERCHANTABILITY AND FITNESS FOR A PARTICULAR PURPOSE.

2. **Limitation of Remedies.**

In no case shall World Trans be liable for any special, incidental, or consequential damages based upon breach of warranty, breach of contract, negligence, strict tort, or any other legal theory. Such damages include, but are not limited to, loss of profits, loss of savings or revenue, loss of use of the bus body or any associated equipment, cost of capital, cost of any substitute bus body, equipment, facilities or services, downtime, the claims of third parties including customers, and injury to property. This limitation does not apply to claims for personal injury.

In the event this provision is held to be invalid, illegal, or unenforceable in any respect, such invalidity, illegality, or unenforceability will not affect any other provision of this Warranty, but this Warranty will be construed as if such invalid, illegal, or unenforceable provision or provisions had never been contained herein.

3. **Warranty Claim Procedure.**

The Purchaser must notify World Trans Customer Care, or an authorized World Trans Warranty Provider, of a potential Warranty Claim prior to the initiation of any warranty work. Within a reasonable time of receipt of the notification, World Trans, or its authorized Warranty Provider, will provide the Purchaser with further instructions on how to proceed with such warranty claim.

Any notice of a warranty claim and all other warranty correspondence must be sent to World Trans Bus Corporation, 1655 Wall St., Salina, KS 67501, Attn: Product Services. World Trans may designate new or additional addresses and will notify the Purchaser in the event of such change.

4. **Time Limit for Bringing Suit.**

Any action for breach of warranty must be commenced within thirty-six (36) months following delivery of the Product or within one (1) month following the first thirty-six thousand (36,000) miles, whichever comes first.

5. **No Other Warranties.**

Unless modified in writing and signed by both parties' authorized representatives, this agreement is understood to be the complete and exclusive agreement between the parties, superseding all the prior agreements, oral or written, and all other communications between the parties (including without limitation any terms and conditions contained in any purchase order or sales invoice issued pursuant to the sale of this bus body) relating to the subject matter of this agreement.

No employee of World Trans or any other party is authorized to make any warranty in addition to or in lieu of those made in this agreement.

6. **Warranty Registration.**

Warranty Registration is required to activate coverage on new Products. Upon receipt of a World Trans Product, and within two weeks of delivery, Purchaser or Dealer is required to submit the final Product acceptance and warranty registration to World Trans Customer Care, Attn: Product Services.

It is the obligation of the Purchaser to sign the customer acceptance card and return it to World Trans Customer Care within the two weeks following retail purchase and delivery. The customer acceptance and warranty registration must be on file for any warranty claim to be considered.

WORLD TRANS BASIC NEW VEHICLE WARRANTY:

1. What is Covered by this Warranty.

World Trans Basic New Vehicle Warranty provides coverage for the original Purchaser, beginning on the original date of purchase, and all subsequent Purchasers. World Trans warrants that the Product, and all other original components manufactured by World Trans, are free from defects in materials used and workmanship during the final conversion process.

If, within any of the applicable World Trans warranty periods, a defect in material or workmanship is discovered, the Purchaser shall contact World Trans Customer Care, or an authorized World Trans Warranty Provider for inspection and warranty claim authorization before proceeding with repairs. In no event shall such notification be received later than one (1) month after the applicable warranty period or one month after the applicable mileage, whichever comes first.

Within a reasonable time of receipt of such notification, World Trans will work to correct any covered defect in material or workmanship with either new or used replacement parts, at World Trans' option. Such repair, including both parts and labor, is at World Trans' expense.

2. What is Not Covered by this Warranty

World Trans does not warrant the following:

- Any product, components or parts not manufactured by World Trans, including but not limited to the chassis or any chassis part;
- Damage caused by use of the bus body for purposes other than those for which it was designed;
- Damage caused by accident or the negligence of the Purchaser or any third party;
- Damage caused by disasters such as fire, flood, wind, and lightning;
- Damage caused by the Purchaser's failure to provide normal preventive maintenance as customarily accepted in the industry or as set forth in maintenance guidelines;
- Filters, belts or other parts which are a part of normal maintenance replacement;
- Damage caused by unauthorized or improper installation of attachments, repairs, modifications or alterations;
- Damage caused by replacement of original parts or components with unauthorized substitutes;
- Damage during shipment;
- Any other abuse or misuse by the Purchaser or Operator;
- Damage caused by exposure to contaminants, corrosives, salt, chemicals, irradiation or environmental or atmospheric conditions; and
- Any and all claims relating to Tires. Such claims are solely the responsibility of the manufacturer.

WORLD TRANS BODY STRUCTURE LIMITED WARRANTY:

World Trans Body Structure Limited Warranty period runs for five (5) years from the original date of purchase by the Product's first Purchaser, or one hundred thousand (100,000) odometer miles, whichever occurs first. World Trans warrants, to the original Purchaser only, the structural integrity of the conversion structure as outlined below. All claims made under the Body Structure Limited Warranty require prior written authorization from World Trans Customer Care.

1. What is covered by this Warranty:

"Body Structure" as defined for this warranty coverage is limited to structural components manufactured by World Trans used to build the Product body only. This includes:

- Steel Cage
- Side Walls
- Roof Structure
- Front and Rear Roof Caps
- Subfloor Structure
- Modifications to OEM Chassis frame

2. What is Not Covered by this Warranty:

This warranty does not provide coverage for the following structural components:

- Any product, components or parts not manufactured by World Trans;
- Damage caused by use of the bus body for purposes other than those for which it was designed;
- Damage caused by accident or the negligence of the Purchaser or any third party or by disasters such as fire, flood, wind, and lightning;
- Damage caused by the Purchaser's failure to provide normal preventive maintenance as customarily accepted in the industry or as set forth in maintenance guidelines;
- Damage caused by unauthorized or improper installation of attachments, repairs, modifications or alterations;
- Damage caused by replacement of original parts or components with unauthorized substitutes;
- Damage during shipment;
- Abuse or misuse by the Purchaser or Operator; and
- Damage caused by exposure to contaminants, corrosives, salt, chemicals, irradiation or environmental or atmospheric conditions.

WORLD TRANS PAINT LIMITED WARRANTY:

1. What is Covered by this Warranty.

World Trans warrants, to the original Purchaser only, that the exterior paint is free from defects in material and workmanship and further warrants that the bus body will remain free from paint defects throughout the duration of the World Trans Paint Limited Warranty period.

The World Trans Paint Limited Warranty period runs for five (5) years from the original date of retail purchase by the original Purchaser, or one hundred thousand (100,000) odometer miles, whichever occurs first. However, after the first three (3) years, or thirty-six thousand (36,000) odometer miles, the coverage will be prorated in accordance with the schedule below:

Time Period (both conditions must be true)	Coverage
≤36 months and ≤36,000 miles	100% materials and labor are covered
≤48 months and ≤70,000 miles	50% materials and 50% labor are covered
≤60 months and ≤100,000 miles	50% materials and 25% labor are covered

The World Trans Paint Limited Warranty provided herein shall cover and extend to the following properties of the paint system:

- Loss of adhesion of the paint system resulting in rust.
- Cracking of the paint system.
- Loss of adhesion of any element of the paint system.

If Purchaser discovers a defect in material or workmanship within this warranty period, it must promptly notify World Trans Customer Care in writing. In no event shall World Trans be obligated to accept such notification unless it is received by World Trans Customer Care not later than one month following the expiration of the warranty period.

Within a reasonable time after such notification, World Trans will work to correct any defect in material or workmanship. Such repair, including both paint materials and labor, is at World Trans's expense according to the schedule listed above.

All warranty work is subject to World Trans', or its agent's, prior examination and approval and will be performed by an authorized World Trans service provider, or its agents at service centers designated by World Trans, or its paint vendor.

All costs related to transportation to and from the designated service center will be at the Purchaser's sole expense and is not included as a cost of repair covered by this warranty. These remedies are the Purchaser's exclusive remedies for breach of warranty.

2. What is Not Covered by This Warranty:

World Trans does not warrant:

- the exterior finish on trim or any fiberglass components, including but not limited to hardware moldings, windows, mirrors, lights and other appointments and accessories;
- Any product finishes, component finishes or finishes of parts not manufactured by World Trans, including the chassis;
- Damage caused by use of the bus body for purposes other than those for which it was designed;
- Damage caused by accident or the negligence of the Purchaser or any third party or by disasters such as fire, flood, wind, lightning, acid rain, and industrial fallout;
- Damage caused by the Purchaser's failure to provide normal preventive maintenance as customarily accepted in the industry or as set forth in maintenance guidelines;
- Damage caused by unauthorized or improper installation of attachments, repair, modifications or alterations;
- Damage caused by replacement of original parts or components with unauthorized substitutes;
- Damage during shipment;
- Damage caused by abrasion or external foreign objects;
- Decals, stickers, name plates, pin stripes, or damage caused by application or removal of the same;
- Damage resulting from dissimilar metal contact corrosion, or crevice corrosion;
- Abuse or misuse by the Purchaser or Operator; and
- Damage caused by exposure to contaminants, corrosives, salt, chemicals, irradiation or environmental or atmospheric conditions.
- Damage caused by adhesive decals, vinyl wraps, or other non-factory graphics installations.

ROHRER

School & Commercial Bus Sales

CLASS A

HFC10B	2017 E350 FORD 138-6.8 V10-11500GVWR T/C <i>TO HAVE POWER WINDOWS AND LOCKS</i>
WTE2WW3G	MODEL WT E-SERIES 22 FT WIDE WW 138WB <i>NARROW BODY</i>
SPO 01	OPTION 1220000P CUSTOM OVERALL ELEC WIRING SCHMTC, JUMP DRIVE EP4 <i>ILO 11" X 17" LAMINATED SHEETS</i>
SPO 02	OPTION 770000CM UNDER BELLY, ALUMINUM
SPO 05	OPTION 7169000P LIGHT, UNDERHOOD LED EP4
SPO 06	OPTION 8117000V DOOR HOLDBACK, T-MOUNT <i>FOR REAR DOOR</i>
SPO 07	SRO 2608 TRANSPEC #7500 SAFETY AMBER LED CAUTION STOPPING TRAFFIC SIGN
SPO 08	OPTION 7172001H STEP LIGHT, LED DIALIGHT
SPO 09	SRO 2258 DRIPRAIL INSTALLED OVER ALL EXTERIOR WINDOWS AND DOORS
SPO 10	OPTION 7191000H STANCHION, PADDED YELLOW <i>COVERS ALL STANCHIONS</i>
SPO 11	SPO JUMPER CABLES
SPO 12	2 SPO 2658 62" X 80" WOOL BLANKETS
SPO 13	SPO 2599 SAFETY VEST
SPO 14	OPTION 7650000J WHEEL CHOCK - MOLDED RUBBER
SPO 15	OPTION 5561001F STORAGE BOX, BEHIND DRVR SEAT STD FLR
SPO 16	SPO 7240000P SPEAKER, FORD DRIVER DOOR EP4
SPO 17	4 SRO 2176 SUR-LOK - QUICK STRAP FE200750
SPO 19	SPO STARS AND STRIPES PACKAGE WITH REFLECTIVE TAPE AROUND ALL EGRESS WINDOWS.
SPO 20	SPO 2660 MATCHING WHITE TOUCH UP PAINT
SPO 22	OPTION 4300000G HOOD SCOOPS, WHITE VENT
SPO 23	OPTION 9170000M DECALS, CUSTOM INTERIOR (QUOTE) <i>WATCH YOUR STEP-BLACK LETTERS/YELLOW BACKGROUND #70851, NO SMOKING #0028615, HEIGHT DECAL #0022423</i> <i>ALL PASSENGERS MUST WEAR SEAT BELTS IS STANDARD, ALL PASSENGERS MUST WEAR SEAT BELTS WHILE VEHICLE IS IN MOTION IS STANDARD</i> <i>EMERGENCY EQUIPMENT DECAL</i> <i>EMERGENCY TELEPHONE NUMBERS: POLICE:, AMBULANCE:, FIRE:, TRANSPORTATION SYSTEM:</i>
SPO 24	OPTION 9171000C DECALS, CUSTOM EXTERIOR VINYL GRAPHICS (QUOTE) <i>CAUTION: LOADING AND UNLOADING PASSENGERS</i> <i>ALL EXTERIOR DECALS MUST BE 4" LETTERING WHITE LETTERS ON RED BACKGROUND</i> <i>THIS VEHICLE STOPS AT ALL RAILROAD CROSSINGS #0030617</i>
W192FA0G	FRONT END ALIGN <i>INCLUDES CAM & CASTER KIT AND PROOF OF ALIGNMENT</i>
W195DG0G	DRIVESHAFT GUARD ADD
W198VE0G	VALVE STEM EXTENSIONS
W210M13G	SUSPENSION MOR-RYDE E350

W210S1EG SUSPENSION SPRING SPACER LFIT SIDE E-SERIES
W223R3EG EXHAUST RH REAR E-SERIES
W240000G BUMPER FRONT OEM ONLY
W242RHNG BUMPER REAR ROMEO RIM HELP NARROW
W303GW3G DOOR ENTRY GALV WHITE ELECTRIC 30 IN
EMERGENCY RELEASE IS STANDARD
W310DS3G DOOR ENTRY PANELS DOUBLE SILVER ALUM 30 IN
W331EK0G EXTERIOR KEY
W332BG3G BRUSH GUARD
W340D0NG REAR DOOR ONLY 38X60 NARROW
W350T200 WINDOW PACKAGE - TSLIDE - 22FT
*TRANSITION WINDOW - NEED TO SUBMIT DIMENSIONED DIAGRAM WITH BID
ONE CURBSIDE AND TWO STREET SIDE EMERGENCY EGRESS WINDOWS*
W41071EG A/C 70K TM16 SKIRT INWALL ACT E-SERIES
W440350G HEATER 35K BTU EPDM HOSE W/ SHUTOFF DECAL
W443V50G 2ND 5/8 SHUTOFF VALVE W/ DECAL
W444SE0G STEPWELL ELECTRIC PAD
W450B0FG BATTERY MOUNT BOX
W456000G BATTERY POWER DISTR (1) OEM UNDERHOOD BATT
W490400G ELECTRICAL INTERFACE EP4 E-SERIES
W557TW0G CABLINER WITH STORAGE THUMB LATCH VINYL THATCH WHITE
*OVERHEAD STORAGE TO HAVE BOTTOM-HINGE WITH STRAP TO LIMIT IT'S
MOVEMENT TO 90 DEGREES*
W604000G SEAT BASE DRIVER OEM
W605000G DRIVER SEAT OEM
W620DB0G 2 SEAT PASSENGER DOUBLE W/1 ICS TOD SEAT FREED
W620MA0G 4 SEAT PASSENGER MID BACK SINGLE 17.5 FREED
W620MB0G 2 SEAT PASSENGER MID BACK DOUBLE 35 FREED
W660400G PASS FABRIC LEVEL 4 EACH SEAT
W661400G DRIVER FABRIC LEVEL 4
W670AU0G 8 ARMREST - U.S. EACH SEAT
ALL OR AISLE-ASK DEALER
W670CR0G 2 CRS HOOKS 2 PER SEAT EACH
W670GB0G 9 AV GRAB HANDLE BLACK EACH SEAT
W670X10G 4 SEATBELT EXTENDER 12 IN EACH
W673P52G SUBFLOOR PLWOOD 5/8 22 FT
W680US0G 8 SEAT BELT UNDER SEAT RETRACTABLE FREEDMAN
W708BY0G STAN PKG DRV AND PASS MODESTY YELLOW (INCL LH ENTRY)
W709DS0G DRIVER SHIELD 3/8 PLEX STAINLESS
W7108Y0G HANDRAIL OVERHEAD 96 IN YELLOW
W711TW0G ROOF HATCH TRANSPEC WHITE
W712RREG MIRROR EXTERIOR HEATED REMOTE ROSCO E-SERIES
W713610G MIRROR INTERIOR 6X16 REAR VIEW
W714BE0G 2 BLANKET EMERGENCY TRANSPORT
W714CB0G CLEANUP BODY FLUID KIT
W714F20G FIRST AID KIT 24 UNIT
W714LW0G LENS WIDE ANGLE (REAR)
W714SC0G SEATBELT CUTTER Q-STRNT
W714X50G FIRE EXT REFLECTOR KIT 5#
W715L30G LIGHT INTERIOR PACKAGE LED 3 DOME
W716110G LIGHT EXTERIOR PKG LED WITH CENTER MOUNT BRAKE/REAR AMBER
TURN/SIDE MARKER/
W717D10G REAR DOOR AJAR BUZZER
W717PA3G EXIT LOCATION LIGHT - ADD
W719B70G BACKUP ASSIST CAMERA 7 IN MONITOR

W719RA0G	REVERSE ALARM
W720DF0G	DRIVER FAN
W720PR0G	PREWIRE IGN-BATT-GND RH DASH <i>FOR TWO WAY RADIO PREP</i>
W727SREG	RADIO AM/FM/USB/MP3 REI E-SERIES
W728560G	RADIO SPEAKERS 5 IN 6 EA
W733GS2G	FLOOR RUBBER GERFLOR SIRIUS 22 FT
W734RY3G	STEP NOSING RCA YELLOW 30IN WW
W735RY0G	STANDEE LINE RCA YELLOW 2 X 30
W738VW2G	HEADLINER VINYL THATCH WHITE 22 FT
W739VW2G	INTERIOR SIDEWALL VINYL THATCH WHITE 22 FT
W770LLEG	SPARE TIRE LOOSE E-SERIES DRW
W778LDEG	RUNNING BOARD LEFT SIDE DIAMOND PLATE E-SERIES
W790RFWG	MUD FLAPS REAR AND FRONT WHEELWELL FLOOR
W913000G	PAINT NO PAINT
W914ZP0G	RUSTPROOFING ZINC PHOSPHATE
W915760G	UNDERCOATING 76M

Additional Options Included:

Paratransit Package:

- 1 Set of Tire Chains
- 1 Set of Jumper Cables
- 1 Jack & Lug wrench

ROHRER

School & Commercial Bus Sales

CLASS B

HFC10B	2017 E350 FORD 138-6.8 V10-11500GVWR T/C <i>TO HAVE POWER WINDOWS AND LOCKS</i>
WTE2WW3G	MODEL WT E-SERIES 22 FT WIDE WW 138WB <i>NARROW BODY</i>
SPO 01	OPTION 1220000P CUSTOM OVERALL ELEC WIRING SCHMTC, JUMP DRIVE EP4 <i>ILO 11" X 17" LAMINATED SHEETS</i>
SPO 02	OPTION 770000CM UNDER BELLY, ALUMINUM
SPO 05	OPTION 7169000P LIGHT, UNDERHOOD LED EP4
SPO 06	OPTION 8117000V DOOR HOLDBACK, T-MOUNT <i>FOR REAR DOOR</i>
SPO 07	SRO 2608 TRANSPEC #7500 SAFETY AMBER LED CAUTION STOPPING TRAFFIC SIGN
SPO 08	OPTION 7172001H STEP LIGHT, LED DIALIGHT
SPO 09	SRO 2258 DRIPRAIL INSTALLED OVER ALL EXTERIOR WINDOWS AND DOORS
SPO 10	OPTION 7191000H STANCHION, PADDED YELLOW <i>COVERS ALL STANCHIONS</i>
SPO 11	SPO JUMPER CABLES
SPO 12	2 SPO 2658 62" X 80" WOOL BLANKETS
SPO 13	SPO 2599 SAFETY VEST
SPO 14	OPTION 7650000J WHEEL CHOCK - MOLDED RUBBER
SPO 15	OPTION 5561001F STORAGE BOX, BEHIND DRVR SEAT STD FLR
SPO 16	SPO 7240000P SPEAKER, FORD DRIVER DOOR EP4
SPO 17	4 SRO 2176 SUR-LOK - QUICK STRAP FE200750
SPO 19	SPO STARS AND STRIPES PACKAGE WITH REFLECTIVE TAPE AROUND ALL EGRESS WINDOWS.
SPO 20	SPO 2660 MATCHING WHITE TOUCH UP PAINT
SPO 22	OPTION 4300000G HOOD SCOOPS, WHITE VENT
SPO 23	OPTION 9170000M DECALS, CUSTOM INTERIOR (QUOTE) <i>WATCH YOUR STEP-BLACK LETTERS/YELLOW BACKGROUND #70851, NO SMOKING #0028615, HEIGHT DECAL #0022423</i> <i>ALL PASSENGERS MUST WEAR SEAT BELTS IS STANDARD, ALL PASSENGERS MUST WEAR SEAT BELTS WHILE VEHICLE IS IN MOTION IS STANDARD</i> <i>EMERGENCY EQUIPMENT DECAL</i> <i>EMERGENCY TELEPHONE NUMBERS: POLICE:, AMBULANCE:, FIRE:, TRANSPORTATION SYSTEM:</i>
SPO 24	OPTION 9171000C DECALS, CUSTOM EXTERIOR VINYL GRAPHICS (QUOTE) <i>CAUTION: STAND CLEAR FOR LIFT OPERATIONS</i> <i>CAUTION: LOADING AND UNLOADING PASSENGERS</i> <i>THIS VEHICLE STOPS AT ALL RAILROAD CROSSINGS #0030617</i> <i>ALL EXTERIOR DECALS MUST BE 4" LETTERING WHITE LETTERS ON RED BACKGROUND</i>
W192FA0G	FRONT END ALIGN <i>INCLUDES CAM & CASTER KIT AND PROOF OF ALIGNMENT</i>
W195DG0G	DRIVESHAFT GUARD ADD
W198VE0G	VALVE STEM EXTENSIONS

W210M13G	SUSPENSION MOR-RYDE E350
W210S1EG	SUSPENSION SPRING SPACER LFIT SIDE E-SERIES
W223R3EG	EXHAUST RH REAR E-SERIES
W230NFEG	INTERLOCK INPOWER W/FAST IDLE E-SERIES
W240000G	BUMPER FRONT OEM ONLY
W242RHNG	BUMPER REAR ROMEO RIM HELP NARROW
W303GW3G	DOOR ENTRY GALV WHITE ELECTRIC 30 IN <i>EMERGENCY RELEASE IS STANDARD</i>
W310DS3G	DOOR ENTRY PANELS DOUBLE SILVER ALUM 30 IN
W331EK0G	EXTERIOR KEY
W332BG3G	BRUSH GUARD
W340D0NG	REAR DOOR ONLY 38X60 NARROW
W350T200	WINDOW PACKAGE - TSLIDE - 22FT <i>TRANSITION WINDOW - NEED TO SUBMIT DIMENSIONED DIAGRAM WITH BID ONE CURBSIDE AND TWO STREET SIDE EMERGENCY EGRESS WINDOWS</i>
W41071EG	A/C 70K TM16 SKIRT INWALL ACT E-SERIES
W440350G	HEATER 35K BTU EPDM HOSE W/ SHUTOFF DECAL
W443V50G	2ND 5/8 SHUTOFF VALVE W/ DECAL
W444SE0G	STEPWELL ELECTRIC PAD
W450B0FG	BATTERY MOUNT BOX
W456000G	BATTERY POWER DISTR (1) OEM UNDERHOOD BATT
W490400G	ELECTRICAL INTERFACE EP4 E-SERIES
W557TW0G	CABLINER WITH STORAGE THUMB LATCH VINYL THATCH WHITE <i>OVERHEAD STORAGE TO HAVE BOTTOM-HINGE WITH STRAP TO LIMIT IT'S MOVEMENT TO 90 DEGREES</i>
W604000G	SEAT BASE DRIVER OEM
W605000G	DRIVER SEAT OEM
W620DB0G	2 SEAT PASSENGER DOUBLE W/1 ICS TOD SEAT FREED
W620MA0G	4 SEAT PASSENGER MID BACK SINGLE 17.5 FREED
W660400G	PASS FABRIC LEVEL 4 EACH SEAT
W661400G	DRIVER FABRIC LEVEL 4
W670AU0G	6 ARMREST - U.S. EACH SEAT <i>ALL OR AISLE-ASK DEALER</i>
W670CR0G	2 CRS HOOKS 2 PER SEAT EACH
W670GB0G	7 AV GRAB HANDLE BLACK EACH SEAT
W670X10G	4 SEATBELT EXTENDER 12 IN EACH
W673P52G	SUBFLOOR PLWOOD 5/8 22 FT
W680US0G	8 SEAT BELT UNDER SEAT RETRACTABLE FREEDMAN
W708BY0G	STAN PKG DRV AND PASS MODESTY YELLOW (INCL LH ENTRY)
W709DS0G	DRIVER SHIELD 3/8 PLEX STAINLESS
W7108Y0G	HANDRAIL OVERHEAD 96 IN YELLOW
W711TW0G	ROOF HATCH TRANSPEC WHITE
W712RREG	MIRROR EXTERIOR HEATED REMOTE ROSCO E-SERIES
W713610G	MIRROR INTERIOR 6X16 REAR VIEW
W714BE0G	2 BLANKET EMERGENCY TRANSPORT
W714CB0G	CLEANUP BODY FLUID KIT
W714F20G	FIRST AID KIT 24 UNIT
W714LW0G	LENS WIDE ANGLE (REAR)
W714SC0G	SEATBELT CUTTER Q-STRNT
W714X50G	FIRE EXT REFLECTOR KIT 5#
W715L30G	LIGHT INTERIOR PACKAGE LED 3 DOME
W716110G	LIGHT EXTERIOR PKG LED WITH CENTER MOUNT BRAKE/REAR AMBER TURN/SIDE MARKER/
W717D10G	REAR DOOR AJAR BUZZER
W717PA3G	EXIT LOCATION LIGHT - ADD
W719B70G	BACKUP ASSIST CAMERA 7 IN MONITOR

W719RA0G	REVERSE ALARM
W720DF0G	DRIVER FAN
W720PROG	PREWIRE IGN-BATT-GND RH DASH <i>FOR TWO WAY RADIO PREP</i>
W727SREG	RADIO AM/FM/USB/MP3 REI E-SERIES
W728560G	RADIO SPEAKERS 5 IN 6 EA
W733GS2G	FLOOR RUBBER GERFLOR SIRIUS 22 FT
W734RY3G	STEP NOSING RCA YELLOW 30IN WW
W735RY0G	STANDEE LINE RCA YELLOW 2 X 30
W738VW2G	HEADLINER VINYL THATCH WHITE 22 FT
W739VW2G	INTERIOR SIDEWALL VINYL THATCH WHITE 22 FT
W770LLEG	SPARE TIRE LOOSE E-SERIES DRW
W778LDEG	RUNNING BOARD LEFT SIDE DIAMOND PLATE E-SERIES
W790RFWG	MUD FLAPS REAR AND FRONT WHEELWELL FLOOR
W800D00G	WHEELCHAIR DOOR DOUBLE 48X72 ALUM
W8211B0G	WHEELCHAIR LIFT 34X54 1000 BRAUN NCL1000
W852LR0H	RESTRAINTS Q8100-A1 LTRACK REAR WALL REAR TO FRONT <i>EACH W/C SPACE SHALL HAVE AT LEAST 6: IN BETWEEN EACH SPACE</i>
W861SB0G	Q-STRAINT BELT STORAGE BAG
W862AD0G	DECALS ADA SPEC
W864LC0G	LIGHT LED CEILING MOUNT ABOVE LIFT
W865LS0G	LIGHT LED SKIRT MOUNT OVAL BELOW LIFT
W913000G	PAINT NO PAINT
W914ZP0G	RUSTPROOFING ZINC PHOSPHATE
W915760G	UNDERCOATING 76M

Additional Options Included:

Paratransit Package:

- 1 Set of Tire Chains
- 1 Set of Jumper Cables
- 1 Jack & Lug wrench

ROHRER

School & Commercial Bus Sales

CLASS C

HFC10B	2017 E350 FORD 138-6.8 V10-11500GVWR T/C <i>TO HAVE POWER WINDOWS AND LOCKS</i>
WTE2WW3G	MODEL WT E-SERIES 22 FT WIDE WW 138WB <i>NARROW BODY</i>
SPO 01	OPTION 122000P CUSTOM OVERALL ELEC WIRING SCHMTC, JUMP DRIVE EP4 <i>ILO 11" X 17" LAMINATED SHEETS</i>
SPO 02	OPTION 770000CM UNDER BELLY, ALUMINUM
SPO 05	OPTION 7169000P LIGHT, UNDERHOOD LED EP4
SPO 06	OPTION 8117000V DOOR HOLDBACK, T-MOUNT <i>FOR REAR DOOR</i>
SPO 07	SRO 2608 TRANSPEC #7500 SAFETY AMBER LED CAUTION STOPPING TRAFFIC SIGN
SPO 08	OPTION 7172001H STEP LIGHT, LED DIALIGHT
SPO 09	SRO 2258 DRIPRAIL INSTALLED OVER ALL EXTERIOR WINDOWS AND DOORS
SPO 10	OPTION 7191000H STANCHION, PADDED YELLOW <i>COVERS ALL STANCHIONS</i>
SPO 11	SPO JUMPER CABLES
SPO 12	2 SPO 2658 62" X 80" WOOL BLANKETS
SPO 13	SPO 2599 SAFETY VEST
SPO 14	OPTION 7650000J WHEEL CHOCK - MOLDED RUBBER
SPO 15	OPTION 5561001F STORAGE BOX, BEHIND DRVR SEAT STD FLR
SPO 16	SPO 7240000P SPEAKER, FORD DRIVER DOOR EP4
SPO 17	8 SRO 2176 SUR-LOK - QUICK STRAP FE200750
SPO 19	SPO STARS AND STRIPES PACKAGE WITH REFLECTIVE TAPE AROUND ALL EGRESS WINDOWS.
SPO 20	SPO 2660 MATCHING WHITE TOUCH UP PAINT
SPO 22	OPTION 4300000G HOOD SCOOPS, WHITE VENT
SPO 23	OPTION 9170000M DECALS, CUSTOM INTERIOR (QUOTE) <i>EMERGENCY TELEPHONE NUMBERS: POLICE:, AMBULANCE:, FIRE:, TRANSPORATATION SYSTEM: EMERGENCY EQUIPMENT DECAL WATCH YOUR STEP-BLACK LETTERS/YELLOW BACKGROUND #70851, NO SMOKING #0028615, HEIGHT DECAL #0022423 ALL PASSENGERS MUST WEAR SEAT BELTS IS STANDARD, ALL PASSENGERS MUST WEAR SEAT BELTS WHILE VEHICLE IS IN MOTION IS STANDARD</i>
SPO 24	OPTION 9171000C DECALS, CUSTOM EXTERIOR VINYL GRAPHICS (QUOTE) <i>ALL EXTERIOR DECALS MUST BE 4" LETTERING WHITE LETTERS ON RED BACKGROUND CAUTION: LOADING AND UNLOADING PASSENGERS CAUTION: STAND CLEAR FOR LIFT OPERATIONS THIS VEHICLE STOPS AT ALL RAILROAD CROSSINGS #0030617</i>
SPO 25	2 OPTION 6281200F SEAT, SINGLE ICS TOD SEAT
W192FA0G	FRONT END ALIGN <i>INCLUDES CAM & CASTER KIT AND PROOF OF ALIGNMENT</i>
W195DG0G	DRIVESHAFT GUARD ADD
W198VE0G	VALVE STEM EXTENSIONS

W210M13G	SUSPENSION MOR-RYDE E350
W210S1EG	SUSPENSION SPRING SPACER LFIT SIDE E-SERIES
W223R3EG	EXHAUST RH REAR E-SERIES
W230NFEG	INTERLOCK INPOWER W/FAST IDLE E-SERIES
W240000G	BUMPER FRONT OEM ONLY
W242RHNG	BUMPER REAR ROMEO RIM HELP NARROW
W303GW3G	DOOR ENTRY GALV WHITE ELECTRIC 30 IN <i>EMERGENCY RELEASE IS STANDARD</i>
W310DS3G	DOOR ENTRY PANELS DOUBLE SILVER ALUM 30 IN
W331EK0G	EXTERIOR KEY
W332BG3G	BRUSH GUARD
W340D0NG	REAR DOOR ONLY 38X60 NARROW
W350T200	WINDOW PACKAGE - TSLIDE - 22FT <i>TRANSITION WINDOW - NEED TO SUBMIT DIMENSIONED DIAGRAM WITH BID ONE CURBSIDE AND TWO STREET SIDE EMERGENCY EGRESS WINDOWS</i>
W41071EG	A/C 70K TM16 SKIRT INWALL ACT E-SERIES
W440350G	HEATER 35K BTU EPDM HOSE W/ SHUTOFF DECAL
W443V50G	2ND 5/8 SHUTOFF VALVE W/ DECAL
W444SE0G	STEPWELL ELECTRIC PAD
W450B0FG	BATTERY MOUNT BOX
W456000G	BATTERY POWER DISTR (1) OEM UNDERHOOD BATT
W490400G	ELECTRICAL INTERFACE EP4 E-SERIES
W557TW0G	CABLINER WITH STORAGE THUMB LATCH VINYL THATCH WHITE <i>OVERHEAD STORAGE TO HAVE BOTTOM-HINGE WITH STRAP TO LIMIT IT'S MOVEMENT TO 90 DEGREES</i>
W604000G	SEAT BASE DRIVER OEM
W605000G	DRIVER SEAT OEM
W620GB0G	2 SEAT PASSENGER FOLDAWAY 3-STEP DOUBLE NOTCH FREED
W620MB0G	SEAT PASSENGER MID BACK DOUBLE 35 FREED
W660400G	PASS FABRIC LEVEL 4 EACH SEAT
W661400G	DRIVER FABRIC LEVEL 4
W670AU0G	5 ARMREST - U.S. EACH SEAT <i>ALL OR AISLE-ASK DEALER</i>
W670CR0G	2 CRS HOOKS 2 PER SEAT EACH
W670GB0G	6 AV GRAB HANDLE BLACK EACH SEAT
W670X10G	4 SEATBELT EXTENDER 12 IN EACH
W673P52G	SUBFLOOR PLWOOD 5/8 22 FT
W680US0G	8 SEAT BELT UNDER SEAT RETRACTABLE FREEDMAN
W708BY0G	STAN PKG DRV AND PASS MODESTY YELLOW (INCL LH ENTRY)
W709DS0G	DRIVER SHIELD 3/8 PLEX STAINLESS
W7108Y0G	HANDRAIL OVERHEAD 96 IN YELLOW
W711TW0G	ROOF HATCH TRANSPEC WHITE
W712RR0G	MIRROR EXTERIOR HEATED REMOTE ROSCO E-SERIES
W713610G	MIRROR INTERIOR 6X16 REAR VIEW
W714BE0G	2 BLANKET EMERGENCY TRANSPORT
W714CB0G	CLEANUP BODY FLUID KIT
W714F20G	FIRST AID KIT 24 UNIT
W714LW0G	LENS WIDE ANGLE (REAR)
W714SC0G	SEATBELT CUTTER Q-STRNT
W714X50G	FIRE EXT REFLECTOR KIT 5#
W715L30G	LIGHT INTERIOR PACKAGE LED 3 DOME
W716110G	LIGHT EXTERIOR PKG LED WITH CENTER MOUNT BRAKE/REAR AMBER TURN/SIDE MARKER/
W717D10G	REAR DOOR AJAR BUZZER
W717PA3G	EXIT LOCATION LIGHT - ADD
W719B70G	BACKUP ASSIST CAMERA 7 IN MONITOR

W719RA0G	REVERSE ALARM
W720DF0G	DRIVER FAN
W720PR0G	PREWIRE IGN-BATT-GND RH DASH <i>FOR TWO WAY RADIO PREP</i>
W727SREG	RADIO AM/FM/USB/MP3 REI E-SERIES
W728560G	RADIO SPEAKERS 5 IN 6 EA
W733GS2G	FLOOR RUBBER GERFLOR SIRIUS 22 FT
W734RY3G	STEP NOSING RCA YELLOW 30IN WW
W735RY0G	STANDEE LINE RCA YELLOW 2 X 30
W738VW2G	HEADLINER VINYL THATCH WHITE 22 FT
W739VW2G	INTERIOR SIDEWALL VINYL THATCH WHITE 22 FT
W770LLEG	SPARE TIRE LOOSE E-SERIES DRW
W778LDEG	RUNNING BOARD LEFT SIDE DIAMOND PLATE E-SERIES
W790RFWG	MUD FLAPS REAR AND FRONT WHEELWELL FLOOR
W800D00G	WHEELCHAIR DOOR DOUBLE 48X72 ALUM
W8211B0G	WHEELCHAIR LIFT 34X54 1000 BRAUN NCL1000
W852LR0H	RESTRAINTS Q8100-A1 LTRACK REAR WALL REAR TO FRONT <i>EACH W/C SPACE SHALL HAVE AT LEAST 6: IN BETWEEN EACH SPACE</i>
W852LS0H	WC RESTRAINTS Q8100-A1 LTRACK SIDE WALL; REAR TO FRONT
W861SB0G	2 Q-STRAINT BELT STORAGE BAG
W862AD0G	DECALS ADA SPEC
W864LC0G	LIGHT LED CEILING MOUNT ABOVE LIFT
W865LS0G	LIGHT LED SKIRT MOUNT OVAL BELOW LIFT
W913000G	PAINT NO PAINT
W914ZP0G	RUSTPROOFING ZINC PHOSPHATE
W915760G	UNDERCOATING 76M

Additional Options Included:

Paratransit Package:

- 1 Set of Tire Chains
- 1 Set of Jumper Cables
- 1 Jack & Lug wrench

ROHRER

School & Commercial Bus Sales

CLASS D

HFC30B	2017 E350 FORD 158-6.8 V10-12500GVWR T/C <i>TO HAVE POWER WINDOWS AND LOCKS</i>
WTE4WW5G	MODEL WT E-SERIES 24 FT WIDE WW 158WB
SPO 01	OPTION 1220000P CUSTOM OVERALL ELEC WIRING SCHMTC, JUMP DRIVE EP4 <i>ILO 11" X 17" LAMINATED SHEETS</i>
SPO 02	OPTION 770000CM UNDER BELLY, ALUMINUM
SPO 05	OPTION 7169000P LIGHT, UNDERHOOD LED EP4
SPO 06	OPTION 8117000V DOOR HOLDBACK, T-MOUNT <i>FOR REAR DOOR</i>
SPO 07	SRO 2608 TRANSPEC #7500 SAFETY AMBER LED CAUTION STOPPING TRAFFIC SIGN
SPO 08	OPTION 7172001H STEP LIGHT, LED DIALIGHT
SPO 09	SRO 2258 DRIPRAIL INSTALLED OVER ALL EXTERIOR WINDOWS AND DOORS
SPO 10	OPTION 7191000H STANCHION, PADDED YELLOW <i>COVERS ALL STANCHIONS</i>
SPO 11	SPO JUMPER CABLES
SPO 12	2 SPO 2658 62" X 80" WOOL BLANKETS
SPO 13	SPO 2599 SAFETY VEST
SPO 14	OPTION 7650000J WHEEL CHOCK - MOLDED RUBBER
SPO 15	OPTION 5561001F STORAGE BOX, BEHIND DRVR SEAT STD FLR
SPO 16	SPO 7240000P SPEAKER, FORD DRIVER DOOR EP4
SPO 17	12 SRO 2176 SUR-LOK - QUICK STRAP FE200750
SPO 19	SPO STARS AND STRIPES PACKAGE WITH REFLECTIVE TAPE AROUND ALL EGRESS WINDOWS.
SPO 20	SPO 2660 MATCHING WHITE TOUCH UP PAINT
SPO 22	OPTION 4300000G HOOD SCOOPS, WHITE VENT
SPO 23	OPTION 9170000M DECALS, CUSTOM INTERIOR (QUOTE) <i>EMERGENCY TELEPHONE NUMBERS: POLICE., AMBULANCE., FIRE., TRANSPORTATION SYSTEM: EMERGENCY EQUIPMENT DECAL WATCH YOUR STEP-BLACK LETTERS/YELLOW BACKGROUND #70851, NO SMOKING #0028615, HEIGHT DECAL #0022423 ALL PASSENGERS MUST WEAR SEAT BELTS IS STANDARD, ALL PASSENGERS MUST WEAR SEAT BELTS WHILE VEHICLE IS IN MOTION IS STANDARD</i>
SPO 24	OPTION 9171000C DECALS, CUSTOM EXTERIOR VINYL GRAPHICS (QUOTE) <i>CAUTION: STAND CLEAR FOR LIFT OPERATIONS ALL EXTERIOR DECALS MUST BE 4" LETTERING WHITE LETTERS ON RED BACKGROUND THIS VEHICLE STOPS AT ALL RAILROAD CROSSINGS #0030617 CAUTION: LOADING AND UNLOADING PASSENGERS</i>
SPO 25	2 OPTION 6281200F SEAT, SINGLE ICS TOD SEAT
W192FA0G	FRONT END ALIGN <i>INCLUDES CAM & CASTER KIT AND PROOF OF ALIGNMENT</i>
W195DG0G	DRIVESHAFT GUARD ADD
W198VE0G	VALVE STEM EXTENSIONS
W210M13G	SUSPENSION MOR-RYDE E350
W210S1EG	SUSPENSION SPRING SPACER LFIT SIDE E-SERIES

W223R3EG		EXHAUST RH REAR E-SERIES
W230NFEG		INTERLOCK INPOWER W/FAST IDLE E-SERIES
W240000G		BUMPER FRONT OEM ONLY
W242RHNG		BUMPER REAR ROMEO RIM HELP NARROW
W303GW3G		DOOR ENTRY GALV WHITE ELECTRIC 30 IN <i>EMERGENCY RELEASE IS STANDARD</i>
W310DS3G		DOOR ENTRY PANELS DOUBLE SILVER ALUM 30 IN
W331EK0G		EXTERIOR KEY
W332BG3G		BRUSH GUARD
W340D0NG		REAR DOOR ONLY 38X60 NARROW
W350T400		WINDOW PACKAGE - TSLIDE - 24FT <i>ONE CURBSIDE AND TWO STREET SIDE EMERGENCY EGRESS WINDOWS</i>
W41071EG		A/C 70K TM16 SKIRT INWALL ACT E-SERIES
W440350G		HEATER 35K BTU EPDM HOSE W/ SHUTOFF DECAL
W443V50G		2ND 5/8 SHUTOFF VALVE W/ DECAL
W444SE0G		STEPWELL ELECTRIC PAD
W450B0FG		BATTERY MOUNT BOX
W456000G		BATTERY POWER DISTR (1) OEM UNDERHOOD BATT
W490400G		ELECTRICAL INTERFACE EP4 E-SERIES
W557TW0G		CABLINER WITH STORAGE THUMB LATCH VINYL THATCH WHITE <i>OVERHEAD STORAGE TO HAVE BOTTOM-HINGE WITH STRAP TO LIMIT IT'S MOVEMENT TO 90 DEGREES</i>
W604000G		SEAT BASE DRIVER OEM
W605000G		DRIVER SEAT OEM
W620GB0G	4	SEAT PASSENGER FOLDAWAY 3-STEP DOUBLE NOTCH FREED
W660400G		PASS FABRIC LEVEL 4 EACH SEAT
W661400G		DRIVER FABRIC LEVEL 4
W670AU0G	6	ARMREST - U.S. EACH SEAT <i>ALL OR AISLE-ASK DEALER</i>
W670CR0G	2	CRS HOOKS 2 PER SEAT EACH
W670GB0G	7	AV GRAB HANDLE BLACK EACH SEAT
W670X10G	4	SEATBELT EXTENDER 12 IN EACH
W673P54G		SUBFLOOR PLWOOD 5/8 24 FT
W680US0G	8	SEAT BELT UNDER SEAT RETRACTABLE FREEDMAN
W708BY0G		STAN PKG DRV AND PASS MODESTY YELLOW (INCL LH ENTRY)
W709DS0G		DRIVER SHIELD 3/8 PLEX STAINLESS
W7108Y0G		HANDRAIL OVERHEAD 96 IN YELLOW
W711TW0G		ROOF HATCH TRANSPEC WHITE
W712RREG		MIRROR EXTERIOR HEATED REMOTE ROSCO E-SERIES
W713610G		MIRROR INTERIOR 6X16 REAR VIEW
W714BE0G	2	BLANKET EMERGENCY TRANSPORT
W714CB0G		CLEANUP BODY FLUID KIT
W714F20G		FIRST AID KIT 24 UNIT
W714LW0G		LENS WIDE ANGLE (REAR)
W714SC0G		SEATBELT CUTTER Q-STRNT
W714X50G		FIRE EXT REFLECTOR KIT 5#
W715L30G		LIGHT INTERIOR PACKAGE LED 3 DOME
W716110G		LIGHT EXTERIOR PKG LED WITH CENTER MOUNT BRAKE/REAR AMBER TURN/SIDE MARKER/
W717D10G		REAR DOOR AJAR BUZZER
W717PA3G		EXIT LOCATION LIGHT - ADD
W719B70G		BACKUP ASSIST CAMERA 7 IN MONITOR
W719RA0G		REVERSE ALARM
W720DF0G		DRIVER FAN
W720PR0G		PREWIRE IGN-BATT-GND RH DASH <i>FOR TWO WAY RADIO PREP</i>

W727SREG		RADIO AM/FM/USB/MP3 REI E-SERIES
W728560G		RADIO SPEAKERS 5 IN 6 EA
W733GS4G		FLOOR RUBBER GERFLOR SIRIUS 24 FT
W734RY3G		STEP NOSING RCA YELLOW 30IN WW
W735RY0G		STANDEE LINE RCA YELLOW 2 X 30
W738VW4G		HEADLINER VINYL THATCH WHITE 24 FT
W739VW4G		INTERIOR SIDEWALL VINYL THATCH WHITE 24 FT
W770LLEG		SPARE TIRE LOOSE E-SERIES DRW
W778LDEG		RUNNING BOARD LEFT SIDE DIAMOND PLATE E-SERIES
W790RFWG		MUD FLAPS REAR AND FRONT WHEELWELL FLOOR
W800D00G		WHEELCHAIR DOOR DOUBLE 48X72 ALUM
W8211B0G		WHEELCHAIR LIFT 34X54 1000 BRAUN NCL1000
W852LR0H		RESTRAINTS Q8100-A1 LTRACK REAR WALL REAR TO FRONT <i>EACH W/C SPACE SHALL HAVE AT LEAST 6: IN BETWEEN EACH SPACE</i>
W852LS0H	2	WC RESTRAINTS Q8100-A1 LTRACK SIDE WALL; REAR TO FRONT
W861SB0G	3	Q-STRAINT BELT STORAGE BAG
W862AD0G		DECALS ADA SPEC
W864LC0G		LIGHT LED CEILING MOUNT ABOVE LIFT
W865LS0G		LIGHT LED SKIRT MOUNT OVAL BELOW LIFT
W913000G		PAINT NO PAINT
W914ZP0G		RUSTPROOFING ZINC PHOSPHATE
W915760G		UNDERCOATING 76M

ROHRER

School & Commercial Bus Sales

CLASS E

HFC10B	2017 E350 FORD 138-6.8 V10-11500GVWR T/C <i>TO HAVE POWER WINDOWS AND LOCKS</i>
WTE2WW3G	MODEL WT E-SERIES 22 FT WIDE WW 138WB <i>NARROW BODY</i>
SPO 01	OPTION 1220000P CUSTOM OVERALL ELEC WIRING SCHMTC, JUMP DRIVE EP4 <i>ILO 11" X 17" LAMINATED SHEETS</i>
SPO 02	OPTION 770000CM UNDER BELLY, ALUMINUM
SPO 05	OPTION 7169000P LIGHT, UNDERHOOD LED EP4
SPO 06	OPTION 8117000V DOOR HOLDBACK, T-MOUNT <i>FOR REAR DOOR</i>
SPO 07	SRO 2608 TRANSPEC #7500 SAFETY AMBER LED CAUTION STOPPING TRAFFIC SIGN
SPO 08	OPTION 7172001H STEP LIGHT, LED DIALIGHT
SPO 09	SRO 2258 DRIPRAIL INSTALLED OVER ALL EXTERIOR WINDOWS AND DOORS
SPO 10	OPTION 7191000H STANCHION, PADDED YELLOW <i>COVERS ALL STANCHIONS</i>
SPO 11	SPO JUMPER CABLES
SPO 12	2 SPO 2658 62" X 80" WOOL BLANKETS
SPO 13	SPO 2599 SAFETY VEST
SPO 14	OPTION 7650000J WHEEL CHOCK - MOLDED RUBBER
SPO 15	OPTION 5561001F STORAGE BOX, BEHIND DRVR SEAT STD FLR
SPO 16	SPO 7240000P SPEAKER, FORD DRIVER DOOR EP4
SPO 17	4 SRO 2176 SUR-LOK - QUICK STRAP FE200750
SPO 19	SPO STARS AND STRIPES PACKAGE WITH REFLECTIVE TAPE AROUND ALL EGRESS WINDOWS.
SPO 20	SPO 2660 MATCHING WHITE TOUCH UP PAINT
SPO 22	OPTION 4300000G HOOD SCOOPS, WHITE VENT
SPO 23	OPTION 9170000M DECALS, CUSTOM INTERIOR (QUOTE) <i>WATCH YOUR STEP-BLACK LETTERS/YELLOW BACKGROUND #70851, NO SMOKING #0028615, HEIGHT DECAL #0022423</i> <i>ALL PASSENGERS MUST WEAR SEAT BELTS IS STANDARD, ALL PASSENGERS MUST WEAR SEAT BELTS WHILE VEHICLE IS IN MOTION IS STANDARD</i> <i>EMERGENCY EQUIPMENT DECAL</i> <i>EMERGENCY TELEPHONE NUMBERS: POLICE:, AMBULANCE:, FIRE:, TRANSPORTATION SYSTEM:</i>
SPO 24	OPTION 9171000C DECALS, CUSTOM EXTERIOR VINYL GRAPHICS (QUOTE) <i>CAUTION: STAND CLEAR FOR LIFT OPERATIONS</i> <i>CAUTION: LOADING AND UNLOADING PASSENGERS</i> <i>THIS VEHICLE STOPS AT ALL RAILROAD CROSSINGS #0030617</i>

ALL EXTERIOR DECALS MUST BE 4" LETTERING WHITE LETTERS ON RED BACKGROUND

W192FA0G FRONT END ALIGN
INCLUDES CAM & CASTER KIT AND PROOF OF ALIGNMENT

W195DG0G DRIVESHAFT GUARD ADD

W198VE0G VALVE STEM EXTENSIONS

W210M13G SUSPENSION MOR-RYDE E350

W210S1EG SUSPENSION SPRING SPACER LFIT SIDE E-SERIES

W223R3EG EXHAUST RH REAR E-SERIES

W230NFEG INTERLOCK INPOWER W/FAST IDLE E-SERIES

W240000G BUMPER FRONT OEM ONLY

W242RHNG BUMPER REAR ROMEO RIM HELP NARROW

W303GW3G DOOR ENTRY GALV WHITE ELECTRIC 30 IN
EMERGENCY RELEASE IS STANDARD

W310DS3G DOOR ENTRY PANELS DOUBLE SILVER ALUM 30 IN

W331EK0G EXTERIOR KEY

W332BG3G BRUSH GUARD

W340D0NG REAR DOOR ONLY 38X60 NARROW

W350T200 WINDOW PACKAGE - TSLIDE - 22FT
*TRANSITION WINDOW - NEED TO SUBMIT DIMENSIONED DIAGRAM WITH BID
ONE CURBSIDE AND TWO STREET SIDE EMERGENCY EGRESS WINDOWS*

W41071EG A/C 70K TM16 SKIRT INWALL ACT E-SERIES

W440350G HEATER 35K BTU EPDM HOSE W/ SHUTOFF DECAL

W443V50G 2ND 5/8 SHUTOFF VALVE W/ DECAL

W444SE0G STEPWELL ELECTRIC PAD

W450B0FG BATTERY MOUNT BOX

W456000G BATTERY POWER DISTR (1) OEM UNDERHOOD BATT

W490400G ELECTRICAL INTERFACE EP4 E-SERIES

W557TW0G CABLINER WITH STORAGE THUMB LATCH VINYL THATCH WHITE
*OVERHEAD STORAGE TO HAVE BOTTOM-HINGE WITH STRAP TO LIMIT IT'S
MOVEMENT TO 90 DEGREES*

W604000G SEAT BASE DRIVER OEM

W605000G DRIVER SEAT OEM

W620DB0G 2 SEAT PASSENGER DOUBLE W/1 ICS TOD SEAT FREED

W620MA0G 4 SEAT PASSENGER MID BACK SINGLE 17.5 FREED

W660400G PASS FABRIC LEVEL 4 EACH SEAT

W661400G DRIVER FABRIC LEVEL 4

W670AU0G 6 ARMREST - U.S. EACH SEAT
ALL OR AISLE-ASK DEALER

W670CR0G 2 CRS HOOKS 2 PER SEAT EACH

W670GB0G 7 AV GRAB HANDLE BLACK EACH SEAT

W670X10G 4 SEATBELT EXTENDER 12 IN EACH

W673P52G SUBFLOOR PLWOOD 5/8 22 FT

W680US0G 8 SEAT BELT UNDER SEAT RETRACTABLE FREEDMAN

W708BY0G STAN PKG DRV AND PASS MODESTY YELLOW (INCL LH ENTRY)

W709DS0G DRIVER SHIELD 3/8 PLEX STAINLESS

W7108Y0G HANDRAIL OVERHEAD 96 IN YELLOW

W711TW0G ROOF HATCH TRANSPEC WHITE

W712RR0G MIRROR EXTERIOR HEATED REMOTE ROSCO E-SERIES

W713610G MIRROR INTERIOR 6X16 REAR VIEW

W714BE0G	2 BLANKET EMERGENCY TRANSPORT
W714CB0G	CLEANUP BODY FLUID KIT
W714F20G	FIRST AID KIT 24 UNIT
W714LW0G	LENS WIDE ANGLE (REAR)
W714SC0G	SEATBELT CUTTER Q-STRNT
W714X50G	FIRE EXT REFLECTOR KIT 5#
W715L30G	LIGHT INTERIOR PACKAGE LED 3 DOME
W716110G	LIGHT EXTERIOR PKG LED WITH CENTER MOUNT BRAKE/REAR AMBER TURN/SIDE MARKER/
W717D10G	REAR DOOR AJAR BUZZER
W717PA3G	EXIT LOCATION LIGHT - ADD
W719B70G	BACKUP ASSIST CAMERA 7 IN MONITOR
W719RA0G	REVERSE ALARM
W720DF0G	DRIVER FAN
W720PR0G	PREWIRE IGN-BATT-GND RH DASH <i>FOR TWO WAY RADIO PREP</i>
W727SREG	RADIO AM/FM/USB/MP3 REI E-SERIES
W728560G	RADIO SPEAKERS 5 IN 6 EA
W733GS2G	FLOOR RUBBER GERFLOR SIRIUS 22 FT
W734RY3G	STEP NOSING RCA YELLOW 30IN WW
W735RY0G	STANDEE LINE RCA YELLOW 2 X 30
W738VW2G	HEADLINER VINYL THATCH WHITE 22 FT
W739VW2G	INTERIOR SIDEWALL VINYL THATCH WHITE 22 FT
W770LLEG	SPARE TIRE LOOSE E-SERIES DRW
W778LDEG	RUNNING BOARD LEFT SIDE DIAMOND PLATE E-SERIES
W790RFWG	MUD FLAPS REAR AND FRONT WHEEL WELL FLOOR
W800D00G	WHEELCHAIR DOOR DOUBLE 48X72 ALUM
W8211B0G	WHEELCHAIR LIFT 34X54 1000 BRAUN NCL1000
W852LR0H	RESTRAINTS Q8100-A1 LTRACK REAR WALL REAR TO FRONT <i>EACH W/C SPACE SHALL HAVE AT LEAST 6: IN BETWEEN EACH SPACE</i>
W861SB0G	Q-STRAINT BELT STORAGE BAG
W862AD0G	DECALS ADA SPEC
W864LC0G	LIGHT LED CEILING MOUNT ABOVE LIFT
W865LS0G	LIGHT LED SKIRT MOUNT OVAL BELOW LIFT
W913000G	PAINT NO PAINT
W914ZP0G	RUSTPROOFING ZINC PHOSPHATE
W915760G	UNDERCOATING 76M

Additional Options Included:

- 1 PA System with 2 exterior Speakers
- 1 Farebox Prewire
- 1 Strobe Light
- 1 Front & Side Destination Sign (Transign)
- 1 Stop Request System
- 1 ANGEL TRAX HYBRID VAULT Camera System with 6 cameras
- 1 17" Monitor

ROHRER

School & Commercial Bus Sales

CLASS F

HFC10B	2017 E350 FORD 138-6.8 V10-11500GVWR T/C <i>TO HAVE POWER WINDOWS AND LOCKS</i>
WTE2WW3G	MODEL WT E-SERIES 22 FT WIDE WW 138WB <i>NARROW BODY</i>
SPO 01	OPTION 1220000P CUSTOM OVERALL ELEC WIRING SCHMTC, JUMP DRIVE EP4 <i>ILO 11" X 17" LAMINATED SHEETS</i>
SPO 02	OPTION 770000CM UNDER BELLY, ALUMINUM
SPO 05	OPTION 7169000P LIGHT, UNDERHOOD LED EP4
SPO 06	OPTION 8117000V DOOR HOLDBACK, T-MOUNT <i>FOR REAR DOOR</i>
SPO 07	SRO 2608 TRANSPEC #7500 SAFETY AMBER LED CAUTION STOPPING TRAFFIC SIGN
SPO 08	OPTION 7172001H STEP LIGHT, LED DIALIGHT
SPO 09	SRO 2258 DRIPRAIL INSTALLED OVER ALL EXTERIOR WINDOWS AND DOORS
SPO 10	OPTION 7191000H STANCHION, PADDED YELLOW <i>COVERS ALL STANCHIONS</i>
SPO 11	SPO JUMPER CABLES
SPO 12	2 SPO 2658 62" X 80" WOOL BLANKETS
SPO 13	SPO 2599 SAFETY VEST
SPO 14	OPTION 7650000J WHEEL CHOCK - MOLDED RUBBER
SPO 15	OPTION 5561001F STORAGE BOX, BEHIND DRVR SEAT STD FLR
SPO 16	SPO 7240000P SPEAKER, FORD DRIVER DOOR EP4
SPO 17	8 SRO 2176 SUR-LOK - QUICK STRAP FE200750
SPO 19	SPO STARS AND STRIPES PACKAGE WITH REFLECTIVE TAPE AROUND ALL EGRESS WINDOWS.
SPO 20	SPO 2660 MATCHING WHITE TOUCH UP PAINT
SPO 22	OPTION 4300000G HOOD SCOOPS, WHITE VENT
SPO 23	OPTION 9170000M DECALS, CUSTOM INTERIOR (QUOTE) <i>EMERGENCY TELEPHONE NUMBERS: POLICE:, AMBULANCE:, FIRE:, TRANSPORATATION SYSTEM: EMERGENCY EQUIPMENT DECAL WATCH YOUR STEP-BLACK LETTERS/YELLOW BACKGROUND #70851, NO SMOKING #0028615, HEIGHT DECAL #0022423 ALL PASSENGERS MUST WEAR SEAT BELTS IS STANDARD, ALL PASSENGERS MUST WEAR SEAT BELTS WHILE VEHICLE IS IN MOTION IS STANDARD</i>
SPO 24	OPTION 9171000C DECALS, CUSTOM EXTERIOR VINYL GRAPHICS (QUOTE) <i>ALL EXTERIOR DECALS MUST BE 4" LETTERING WHITE LETTERS ON RED BACKGROUND CAUTION: LOADING AND UNLOADING PASSENGERS CAUTION: STAND CLEAR FOR LIFT OPERATIONS THIS VEHICLE STOPS AT ALL RAILROAD CROSSINGS #0030617</i>

SPO 25 2 OPTION 6281200F SEAT, SINGLE ICS TOD SEAT
W192FA0G FRONT END ALIGN
INCLUDES CAM & CASTER KIT AND PROOF OF ALIGNMENT
W195DG0G DRIVESHAFT GUARD ADD
W198VE0G VALVE STEM EXTENSIONS
W210M13G SUSPENSION MOR-RYDE E350
W210S1EG SUSPENSION SPRING SPACER LFIT SIDE E-SERIES
W223R3EG EXHAUST RH REAR E-SERIES
W230NFEG INTERLOCK INPOWER W/FAST IDLE E-SERIES
W240000G BUMPER FRONT OEM ONLY
W242RHNG BUMPER REAR ROMEO RIM HELP NARROW
W303GW3G DOOR ENTRY GALV WHITE ELECTRIC 30 IN
EMERGENCY RELEASE IS STANDARD
W310DS3G DOOR ENTRY PANELS DOUBLE SILVER ALUM 30 IN
W331EK0G EXTERIOR KEY
W332BG3G BRUSH GUARD
W340D0NG REAR DOOR ONLY 38X60 NARROW
W350T200 WINDOW PACKAGE - TSLIDE - 22FT
*TRANSITION WINDOW - NEED TO SUBMIT DIMENSIONED DIAGRAM WITH BID
ONE CURBSIDE AND TWO STREET SIDE EMERGENCY EGRESS WINDOWS*
W41071EG A/C 70K TM16 SKIRT INWALL ACT E-SERIES
W440350G HEATER 35K BTU EPDM HOSE W/ SHUTOFF DECAL
W443V50G 2ND 5/8 SHUTOFF VALVE W/ DECAL
W444SE0G STEPWELL ELECTRIC PAD
W450B0FG BATTERY MOUNT BOX
W456000G BATTERY POWER DISTR (1) OEM UNDERHOOD BATT
W490400G ELECTRICAL INTERFACE EP4 E-SERIES
W5571W0G CABLINER WITH STORAGE THUMB LATCH VINYL THATCH WHITE
*OVERHEAD STORAGE TO HAVE BOTTOM-HINGE WITH STRAP TO LIMIT IT'S
MOVEMENT TO 90 DEGREES*
W604000G SEAT BASE DRIVER OEM
W605000G DRIVER SEAT OEM
W620GB0G 2 SEAT PASSENGER FOLDAWAY 3-STEP DOUBLE NOTCH FREED
W620MB0G SEAT PASSENGER MID BACK DOUBLE 35 FREED
W660400G PASS FABRIC LEVEL 4 EACH SEAT
W661400G DRIVER FABRIC LEVEL 4
W670AU0G 5 ARMREST - U.S. EACH SEAT
ALL OR AISLE-ASK DEALER
W670CR0G 2 CRS HOOKS 2 PER SEAT EACH
W670GB0G 6 AV GRAB HANDLE BLACK EACH SEAT
W670X10G 4 SEATBELT EXTENDER 12 IN EACH
W673P52G SUBFLOOR PLWOOD 5/8 22 FT
W680US0G 8 SEAT BELT UNDER SEAT RETRACTABLE FREEDMAN
W708BY0G STAN PKG DRV AND PASS MODESTY YELLOW (INCL LH ENTRY)
W709DS0G DRIVER SHIELD 3/8 PLEX STAINLESS
W7108Y0G HANDRAIL OVERHEAD 96 IN YELLOW
W711TW0G ROOF HATCH TRANSPEC WHITE
W712RREG MIRROR EXTERIOR HEATED REMOTE ROSCO E-SERIES
W713610G MIRROR INTERIOR 6X16 REAR VIEW
W714BE0G 2 BLANKET EMERGENCY TRANSPORT

W714CB0G	CLEANUP BODY FLUID KIT
W714F20G	FIRST AID KIT 24 UNIT
W714LW0G	LENS WIDE ANGLE (REAR)
W714SC0G	SEATBELT CUTTER Q-STRNT
W714X50G	FIRE EXT REFLECTOR KIT 5#
W715L30G	LIGHT INTERIOR PACKAGE LED 3 DOME
W716110G	LIGHT EXTERIOR PKG LED WITH CENTER MOUNT BRAKE/REAR AMBER TURN/SIDE MARKER/
W717D10G	REAR DOOR AJAR BUZZER
W717PA3G	EXIT LOCATION LIGHT - ADD
W719B70G	BACKUP ASSIST CAMERA 7 IN MONITOR
W719RA0G	REVERSE ALARM
W720DF0G	DRIVER FAN
W720PR0G	PREWIRE IGN-BATT-GND RH DASH <i>FOR TWO WAY RADIO PREP</i>
W727SREG	RADIO AM/FM/USB/MP3 REI E-SERIES
W728560G	RADIO SPEAKERS 5 IN 6 EA
W733GS2G	FLOOR RUBBER GERFLOR SIRIUS 22 FT
W734RY3G	STEP NOSING RCA YELLOW 30IN WW
W735RY0G	STANDEE LINE RCA YELLOW 2 X 30
W738VW2G	HEADLINER VINYL THATCH WHITE 22 FT
W739VW2G	INTERIOR SIDEWALL VINYL THATCH WHITE 22 FT
W770LLEG	SPARE TIRE LOOSE E-SERIES DRW
W778LDEG	RUNNING BOARD LEFT SIDE DIAMOND PLATE E-SERIES
W790RFWG	MUD FLAPS REAR AND FRONT WHEELWELL FLOOR
W800D00G	WHEELCHAIR DOOR DOUBLE 48X72 ALUM
W8211B0G	WHEELCHAIR LIFT 34X54 1000 BRAUN NCL1000
W852LR0H	RESTRAINTS Q8100-A1 LTRACK REAR WALL REAR TO FRONT <i>EACH W/C SPACE SHALL HAVE AT LEAST 6: IN BETWEEN EACH SPACE</i>
W852LS0H	WC RESTRAINTS Q8100-A1 LTRACK SIDE WALL; REAR TO FRONT
W861SB0G	2 Q-STRAINT BELT STORAGE BAG
W862AD0G	DECALS ADA SPEC
W864LC0G	LIGHT LED CEILING MOUNT ABOVE LIFT
W865LS0G	LIGHT LED SKIRT MOUNT OVAL BELOW LIFT
W913000G	PAINT NO PAINT
W914ZP0G	RUSTPROOFING ZINC PHOSPHATE
W915760G	UNDERCOATING 76M

Additional Options Included:

Fixed Route Package:

- 1 PA System with 2 exterior Speakers
- 1 Farebox Prewire
- 1 Strobe Light
- 1 Front & Side Destination Sign (Transign)
- 1 Stop Request System
- 1 ANGEL TRAX HYBRID VAULT Camera System with 6 cameras
- 1 17" Monitor

ROHRER

School & Commercial Bus Sales

CLASS G

HFC30B	2017 E350 FORD 158-6.8 V10-12500GVWR T/C <i>TO HAVE POWER WINDOWS AND LOCKS</i>
WTE4WW5G	MODEL WT E-SERIES 24 FT WIDE WW 158WB
SPO 01	OPTION 1220000P CUSTOM OVERALL ELEC WIRING SCHMTC, JUMP DRIVE EP4 <i>ILO 11" X 17" LAMINATED SHEETS</i>
SPO 02	OPTION 770000CM UNDER BELLY, ALUMINUM
SPO 05	OPTION 7169000P LIGHT, UNDERHOOD LED EP4
SPO 06	OPTION 8117000V DOOR HOLDBACK, T-MOUNT <i>FOR REAR DOOR</i>
SPO 07	SRO 2608 TRANSPEC #7500 SAFETY AMBER LED CAUTION STOPPING TRAFFIC SIGN
SPO 08	OPTION 7172001H STEP LIGHT, LED DIALIGHT
SPO 09	SRO 2258 DRIPRAIL INSTALLED OVER ALL EXTERIOR WINDOWS AND DOORS
SPO 10	OPTION 7191000H STANCHION, PADDED YELLOW <i>COVERS ALL STANCHIONS</i>
SPO 11	SPO JUMPER CABLES
SPO 12	2 SPO 2658 62" X 80" WOOL BLANKETS
SPO 13	SPO 2599 SAFETY VEST
SPO 14	OPTION 7650000J WHEEL CHOCK - MOLDED RUBBER
SPO 15	OPTION 5561001F STORAGE BOX, BEHIND DRVR SEAT STD FLR
SPO 16	SPO 7240000P SPEAKER, FORD DRIVER DOOR EP4
SPO 17	12 SRO 2176 SUR-LOK - QUICK STRAP FE200750
SPO 19	SPO STARS AND STRIPES PACKAGE WITH REFLECTIVE TAPE AROUND ALL EGRESS WINDOWS.
SPO 20	SPO 2660 MATCHING WHITE TOUCH UP PAINT
SPO 22	OPTION 4300000G HOOD SCOOPS, WHITE VENT
SPO 23	OPTION 9170000M DECALS, CUSTOM INTERIOR (QUOTE) <i>EMERGENCY TELEPHONE NUMBERS: POLICE:, AMBULANCE:, FIRE:, TRANSPORTATION SYSTEM: EMERGENCY EQUIPMENT DECAL WATCH YOUR STEP-BLACK LETTERS/YELLOW BACKGROUND #70851, NO SMOKING #0028615, HEIGHT DECAL #0022423 ALL PASSENGERS MUST WEAR SEAT BELTS IS STANDARD, ALL PASSENGERS MUST WEAR SEAT BELTS WHILE VEHICLE IS IN MOTION IS STANDARD</i>
SPO 24	OPTION 9171000C DECALS, CUSTOM EXTERIOR VINYL GRAPHICS (QUOTE) <i>CAUTION: STAND CLEAR FOR LIFT OPERATIONS ALL EXTERIOR DECALS MUST BE 4" LETTERING WHITE LETTERS ON RED BACKGROUND THIS VEHICLE STOPS AT ALL RAILROAD CROSSINGS #0030617 CAUTION: LOADING AND UNLOADING PASSENGERS</i>
SPO 25	2 OPTION 6281200F SEAT, SINGLE ICS TOD SEAT

W192FA0G		FRONT END ALIGN <i>INCLUDES CAM & CASTER KIT AND PROOF OF ALIGNMENT</i>
W195DG0G		DRIVESHAFT GUARD ADD
W198VE0G		VALVE STEM EXTENSIONS
W210M13G		SUSPENSION MOR-RYDE E350
W210S1EG		SUSPENSION SPRING SPACER LFIT SIDE E-SERIES
W223R3EG		EXHAUST RH REAR E-SERIES
W230NFEG		INTERLOCK INPOWER W/FAST IDLE E-SERIES
W240000G		BUMPER FRONT OEM ONLY
W242RHNG		BUMPER REAR ROMEO RIM HELP NARROW
W303GW3G		DOOR ENTRY GALV WHITE ELECTRIC 30 IN <i>EMERGENCY RELEASE IS STANDARD</i>
W310DS3G		DOOR ENTRY PANELS DOUBLE SILVER ALUM 30 IN
W331EK0G		EXTERIOR KEY
W332BG3G		BRUSH GUARD
W340D0NG		REAR DOOR ONLY 38X60 NARROW
W350T400		WINDOW PACKAGE - TSLIDE - 24FT <i>ONE CURBSIDE AND TWO STREET SIDE EMERGENCY EGRESS WINDOWS</i>
W41071EG		A/C 70K TM16 SKIRT INWALL ACT E-SERIES
W440350G		HEATER 35K BTU EPDM HOSE W/ SHUTOFF DECAL
W443V50G		2ND 5/8 SHUTOFF VALVE W/ DECAL
W444SE0G		STEPWELL ELECTRIC PAD
W450B0FG		BATTERY MOUNT BOX
W456000G		BATTERY POWER DISTR (1) OEM UNDERHOOD BATT
W490400G		ELECTRICAL INTERFACE EP4 E-SERIES
W557TW0G		CABLINER WITH STORAGE THUMB LATCH VINYL THATCH WHITE <i>OVERHEAD STORAGE TO HAVE BOTTOM-HINGE WITH STRAP TO LIMIT IT'S MOVEMENT TO 90 DEGREES</i>
W604000G		SEAT BASE DRIVER OEM
W605000G		DRIVER SEAT OEM
W620GB0G	4	SEAT PASSENGER FOLDAWAY 3-STEP DOUBLE NOTCH FREED
W660400G		PASS FABRIC LEVEL 4 EACH SEAT
W661400G		DRIVER FABRIC LEVEL 4
W670AU0G	6	ARMREST - U.S. EACH SEAT <i>ALL OR AISLE-ASK DEALER</i>
W670CR0G	2	CRS HOOKS 2 PER SEAT EACH
W670GB0G	7	AV GRAB HANDLE BLACK EACH SEAT
W670X10G	4	SEATBELT EXTENDER 12 IN EACH
W673P54G		SUBFLOOR PLWOOD 5/8 24 FT
W680US0G	8	SEAT BELT UNDER SEAT RETRACTABLE FREEDMAN
W708BY0G		STAN PKG DRV AND PASS MODESTY YELLOW (INCL LH ENTRY)
W709DS0G		DRIVER SHIELD 3/8 PLEX STAINLESS
W7108Y0G		HANDRAIL OVERHEAD 96 IN YELLOW
W711TW0G		ROOF HATCH TRANSPEC WHITE
W712RREG		MIRROR EXTERIOR HEATED REMOTE ROSCO E-SERIES
W713610G		MIRROR INTERIOR 6X16 REAR VIEW
W714BE0G	2	BLANKET EMERGENCY TRANSPORT
W714CB0G		CLEANUP BODY FLUID KIT
W714F20G		FIRST AID KIT 24 UNIT
W714LW0G		LENS WIDE ANGLE (REAR)

W714SC0G	SEATBELT CUTTER Q-STRNT
W714X50G	FIRE EXT REFLECTOR KIT 5#
W715L30G	LIGHT INTERIOR PACKAGE LED 3 DOME
W716110G	LIGHT EXTERIOR PKG LED WITH CENTER MOUNT BRAKE/REAR AMBER TURN/SIDE MARKER/
W717D10G	REAR DOOR AJAR BUZZER
W717PA3G	EXIT LOCATION LIGHT - ADD
W719B70G	BACKUP ASSIST CAMERA 7 IN MONITOR
W719RA0G	REVERSE ALARM
W720DF0G	DRIVER FAN
W720PR0G	PREWIRE IGN-BATT-GND RH DASH <i>FOR TWO WAY RADIO PREP</i>
W727SREG	RADIO AM/FM/USB/MP3 REI E-SERIES
W728560G	RADIO SPEAKERS 5 IN 6 EA
W733GS4G	FLOOR RUBBER GERFLOR SIRIUS 24 FT
W734RY3G	STEP NOSING RCA YELLOW 30IN WW
W735RY0G	STANDEE LINE RCA YELLOW 2 X 30
W738VW4G	HEADLINER VINYL THATCH WHITE 24 FT
W739VW4G	INTERIOR SIDEWALL VINYL THATCH WHITE 24 FT
W770LLEG	SPARE TIRE LOOSE E-SERIES DRW
W778LDEG	RUNNING BOARD LEFT SIDE DIAMOND PLATE E-SERIES
W790RFWG	MUD FLAPS REAR AND FRONT WHEELWELL FLOOR
W800D00G	WHEELCHAIR DOOR DOUBLE 48X72 ALUM
W8211B0G	WHEELCHAIR LIFT 34X54 1000 BRAUN NCL1000
W852L.R0H	RESTRAINTS Q8100-A1 LTRACK REAR WALL REAR TO FRONT <i>EACH W/C SPACE SHALL HAVE AT LEAST 6: IN BETWEEN EACH SPACE</i>
W852LS0H	2 WC RESTRAINTS Q8100-A1 LTRACK SIDE WALL; REAR TO FRONT
W861SB0G	3 Q-STRAINT BELT STORAGE BAG
W862AD0G	DECALS ADA SPEC
W864LC0G	LIGHT LED CEILING MOUNT ABOVE LIFT
W865LS0G	LIGHT LED SKIRT MOUNT OVAL BELOW LIFT
W913000G	PAINT NO PAINT
W914ZP0G	RUSTPROOFING ZINC PHOSPHATE
W915760G	UNDERCOATING 76M

Additional Options Included:

Fixed Route Package:

- 1 PA System with 2 exterior Speakers
- 1 Farebox Prewire
- 1 Strobe Light
- 1 Front & Side Destination Sign (Transign)
- 1 Stop Request System
- 1 ANGEL TRAX HYBRID VAULT Camera System with 6 cameras
- 1 17" Monitor

ROHRER

School & Commercial Bus Sales

CLASS H

HFC10B	2017 E350 FORD 138-6.8 V10-11500GVWR T/C <i>TO HAVE POWER WINDOWS AND LOCKS</i>
WTE2WW3G	MODEL WT E-SERIES 22 FT WIDE WW 138WB <i>NARROW BODY</i>
SPO 01	OPTION 1220000P CUSTOM OVERALL ELEC WIRING SCHMTC, JUMP DRIVE EP4 <i>ILO 11" X 17" LAMINATED SHEETS</i>
SPO 02	OPTION 770000CM UNDER BELLY, ALUMINUM
SPO 05	OPTION 7169000P LIGHT, UNDERHOOD LED EP4
SPO 06	OPTION 8117000V DOOR HOLDBACK, T-MOUNT <i>FOR REAR DOOR</i>
SPO 07	SRO 2608 TRANSPEC #7500 SAFETY AMBER LED CAUTION STOPPING TRAFFIC SIGN
SPO 08	OPTION 7172001H STEP LIGHT, LED DIALIGHT
SPO 09	SRO 2258 DRIPRAIL INSTALLED OVER ALL EXTERIOR WINDOWS AND DOORS
SPO 10	OPTION 7191000H STANCHION, PADDED YELLOW <i>COVERS ALL STANCHIONS</i>
SPO 11	SPO JUMPER CABLES
SPO 12	2 SPO 2658 62" X 80" WOOL BLANKETS
SPO 13	SPO 2599 SAFETY VEST
SPO 14	OPTION 7650000J WHEEL CHOCK - MOLDED RUBBER
SPO 15	OPTION 5561001F STORAGE BOX, BEHIND DRVR SEAT STD FLR
SPO 16	SPO 7240000P SPEAKER, FORD DRIVER DOOR EP4
SPO 17	4 SRO 2176 SUR-LOK - QUICK STRAP FE200750
SPO 19	SPO STARS AND STRIPES PACKAGE WITH REFLECTIVE TAPE AROUND ALL EGRESS WINDOWS.
SPO 20	SPO 2660 MATCHING WHITE TOUCH UP PAINT
SPO 22	OPTION 4300000G HOOD SCOOPS, WHITE VENT
SPO 23	OPTION 9170000M DECALS, CUSTOM INTERIOR (QUOTE) <i>WATCH YOUR STEP-BLACK LETTERS/YELLOW BACKGROUND #70851, NO SMOKING #0028615, HEIGHT DECAL #0022423</i> <i>ALL PASSENGERS MUST WEAR SEAT BELTS IS STANDARD, ALL PASSENGERS MUST WEAR SEAT BELTS WHILE VEHICLE IS IN MOTION IS STANDARD</i> <i>EMERGENCY EQUIPMENT DECAL</i> <i>EMERGENCY TELEPHONE NUMBERS: POLICE:, AMBULANCE:, FIRE:, TRANSPORTATION SYSTEM:</i>
SPO 24	OPTION 9171000C DECALS, CUSTOM EXTERIOR VINYL GRAPHICS (QUOTE) <i>CAUTION: STAND CLEAR FOR LIFT OPERATIONS</i> <i>CAUTION: LOADING AND UNLOADING PASSENGERS</i> <i>THIS VEHICLE STOPS AT ALL RAILROAD CROSSINGS #0030617</i>

ALL EXTERIOR DECALS MUST BE 4" LETTERING WHITE LETTERS ON RED BACKGROUND

W192FA0G	FRONT END ALIGN <i>INCLUDES CAM & CASTER KIT AND PROOF OF ALIGNMENT</i>
W195DG0G	DRIVESHAFT GUARD ADD
W198VE0G	VALVE STEM EXTENSIONS
W210M13G	SUSPENSION MOR-RYDE E350
W210S1EG	SUSPENSION SPRING SPACER LFIT SIDE E-SERIES
W223R3EG	EXHAUST RH REAR E-SERIES
W230NFEG	INTERLOCK INPOWER W/FAST IDLE E-SERIES
W240000G	BUMPER FRONT OEM ONLY
W242RHNG	BUMPER REAR ROMEO RIM HELP NARROW
W303GW3G	DOOR ENTRY GALV WHITE ELECTRIC 30 IN <i>EMERGENCY RELEASE IS STANDARD</i>
W310DS3G	DOOR ENTRY PANELS DOUBLE SILVER ALUM 30 IN
W331EK0G	EXTERIOR KEY
W332BG3G	BRUSH GUARD
W340D0NG	REAR DOOR ONLY 38X60 NARROW
W350T200	WINDOW PACKAGE - TSLIDE - 22FT <i>TRANSITION WINDOW - NEED TO SUBMIT DIMENSIONED DIAGRAM WITH BID ONE CURBSIDE AND TWO STREET SIDE EMERGENCY EGRESS WINDOWS</i>
W41071EG	A/C 70K TM16 SKIRT INWALL ACT E-SERIES
W440350G	HEATER 35K BTU EPDM HOSE W/ SHUTOFF DECAL
W443V50G	2ND 5/8 SHUTOFF VALVE W/ DECAL
W444SE0G	STEPWELL ELECTRIC PAD
W450B0FG	BATTERY MOUNT BOX
W456000G	BATTERY POWER DISTR (1) OEM UNDERHOOD BATT
W490400G	ELECTRICAL INTERFACE EP4 E-SERIES
W557TW0G	CABLINER WITH STORAGE THUMB LATCH VINYL THATCH WHITE <i>OVERHEAD STORAGE TO HAVE BOTTOM-HINGE WITH STRAP TO LIMIT IT'S MOVEMENT TO 90 DEGREES</i>
W604000G	SEAT BASE DRIVER OEM
W605000G	DRIVER SEAT OEM
W620DB0G	2 SEAT PASSENGER DOUBLE W/1 ICS TOD SEAT FREED
W620MA0G	4 SEAT PASSENGER MID BACK SINGLE 17.5 FREED
W660400G	PASS FABRIC LEVEL 4 EACH SEAT
W661400G	DRIVER FABRIC LEVEL 4
W670AU0G	6 ARMREST - U.S. EACH SEAT <i>ALL OR AISLE-ASK DEALER</i>
W670CR0G	2 CRS HOOKS 2 PER SEAT EACH
W670GB0G	7 AV GRAB HANDLE BLACK EACH SEAT
W670X10G	4 SEATBELT EXTENDER 12 IN EACH
W673P52G	SUBFLOOR PLWOOD 5/8 22 FT
W680US0G	8 SEAT BELT UNDER SEAT RETRACTABLE FREEDMAN
W708BY0G	STAN PKG DRV AND PASS MODESTY YELLOW (INCL LH ENTRY)
W709DS0G	DRIVER SHIELD 3/8 PLEX STAINLESS
W7108Y0G	HANDRAIL OVERHEAD 96 IN YELLOW
W711TW0G	ROOF HATCH TRANSPEC WHITE
W712RREG	MIRROR EXTERIOR HEATED REMOTE ROSCO E-SERIES
W713610G	MIRROR INTERIOR 6X16 REAR VIEW

W714BE0G	2	BLANKET EMERGENCY TRANSPORT
W714CB0G		CLEANUP BODY FLUID KIT
W714F20G		FIRST AID KIT 24 UNIT
W714LW0G		LENS WIDE ANGLE (REAR)
W714SC0G		SEATBELT CUTTER Q-STRNT
W714X50G		FIRE EXT REFLECTOR KIT 5#
W715L30G		LIGHT INTERIOR PACKAGE LED 3 DOME
W716110G		LIGHT EXTERIOR PKG LED WITH CENTER MOUNT BRAKE/REAR AMBER TURN/SIDE MARKER/
W717D10G		REAR DOOR AJAR BUZZER
W717PA3G		EXIT LOCATION LIGHT - ADD
W719B70G		BACKUP ASSIST CAMERA 7 IN MONITOR
W719RA0G		REVERSE ALARM
W720DF0G		DRIVER FAN
W720PR0G		PREWIRE IGN-BATT-GND RH DASH <i>FOR TWO WAY RADIO PREP</i>
W727SREG		RADIO AM/FM/USB/MP3 REI E-SERIES
W728560G		RADIO SPEAKERS 5 IN 6 EA
W733GS2G		FLOOR RUBBER GERFLOR SIRIUS 22 FT
W734RY3G		STEP NOSING RCA YELLOW 30IN WW
W735RY0G		STANDEE LINE RCA YELLOW 2 X 30
W738VW2G		HEADLINER VINYL THATCH WHITE 22 FT
W739VW2G		INTERIOR SIDEWALL VINYL THATCH WHITE 22 FT
W770LLEG		SPARE TIRE LOOSE E-SERIES DRW
W778LDEG		RUNNING BOARD LEFT SIDE DIAMOND PLATE E-SERIES
W790RFWG		MUD FLAPS REAR AND FRONT WHEELWELL FLOOR
W800D00G		WHEELCHAIR DOOR DOUBLE 48X72 ALUM
W8211B0G		WHEELCHAIR LIFT 34X54 1000 BRAUN NCL1000
W852LR0H		RESTRAINTS Q8100-A1 LTRACK REAR WALL REAR TO FRONT <i>EACH W/C SPACE SHALL HAVE AT LEAST 6: IN BETWEEN EACH SPACE</i>
W861SB0G		Q-STRAINT BELT STORAGE BAG
W862AD0G		DECALS ADA SPEC
W864LC0G		LIGHT LED CEILING MOUNT ABOVE LIFT
W865LS0G		LIGHT LED SKIRT MOUNT OVAL BELOW LIFT
W913000G		PAINT NO PAINT
W914ZP0G		RUSTPROOFING ZINC PHOSPHATE
W915760G		UNDERCOATING 76M

Additional Options Included:

Fixed Route Package:

- 1 PA System with 2 exterior Speakers
- 1 Farebox Prewire
- 1 Strobe Light
- 1 Front & Side Destination Sign (Transign)
- 1 Stop Request System
- 1 ANGEL TRAX HYBRID VAULT Camera System with 6 cameras
- 1 17" Monitor

Full Body Paint

ROHRER

School & Commercial Bus Sales

CLASS I

HFC10B	2017 E350 FORD 138-6.8 V10-11500GVWR T/C <i>TO HAVE POWER WINDOWS AND LOCKS</i>
WTE2WW3G	MODEL WT E-SERIES 22 FT WIDE WW 138WB <i>NARROW BODY</i>
SPO 01	OPTION 1220000P CUSTOM OVERALL ELEC WIRING SCHMTC, JUMP DRIVE EP4 <i>ILO 11" X 17" LAMINATED SHEETS</i>
SPO 02	OPTION 770000CM UNDER BELLY, ALUMINUM
SPO 05	OPTION 7169000P LIGHT, UNDERHOOD LED EP4
SPO 06	OPTION 8117000V DOOR HOLDBACK, T-MOUNT <i>FOR REAR DOOR</i>
SPO 07	SRO 2608 TRANSPEC #7500 SAFETY AMBER LED CAUTION STOPPING TRAFFIC SIGN
SPO 08	OPTION 7172001H STEP LIGHT, LED DIALIGHT
SPO 09	SRO 2258 DRIPRAIL INSTALLED OVER ALL EXTERIOR WINDOWS AND DOORS
SPO 10	OPTION 7191000H STANCHION, PADDED YELLOW <i>COVERS ALL STANCHIONS</i>
SPO 11	SPO JUMPER CABLES
SPO 12	2 SPO 2658 62" X 80" WOOL BLANKETS
SPO 13	SPO 2599 SAFETY VEST
SPO 14	OPTION 7650000J WHEEL CHOCK - MOLDED RUBBER
SPO 15	OPTION 5561001F STORAGE BOX, BEHIND DRVR SEAT STD FLR
SPO 16	SPO 7240000P SPEAKER, FORD DRIVER DOOR EP4
SPO 17	8 SRO 2176 SUR-LOK - QUICK STRAP FE200750
SPO 19	SPO STARS AND STRIPES PACKAGE WITH REFLECTIVE TAPE AROUND ALL EGRESS WINDOWS.
SPO 20	SPO 2660 MATCHING WHITE TOUCH UP PAINT
SPO 22	OPTION 4300000G HOOD SCOOPS, WHITE VENT
SPO 23	OPTION 9170000M DECALS, CUSTOM INTERIOR (QUOTE) <i>EMERGENCY TELEPHONE NUMBERS: POLICE., AMBULANCE., FIRE., TRANSPORATATION SYSTEM: EMERGENCY EQUIPMENT DECAL WATCH YOUR STEP-BLACK LETTERS/YELLOW BACKGROUND #70851, NO SMOKING #0028615, HEIGHT DECAL #0022423 ALL PASSENGERS MUST WEAR SEAT BELTS IS STANDARD, ALL PASSENGERS MUST WEAR SEAT BELTS WHILE VEHICLE IS IN MOTION IS STANDARD</i>
SPO 24	OPTION 9171000C DECALS, CUSTOM EXTERIOR VINYL GRAPHICS (QUOTE) <i>ALL EXTERIOR DECALS MUST BE 4" LETTERING WHITE LETTERS ON RED BACKGROUND CAUTION: LOADING AND UNLOADING PASSENGERS CAUTION: STAND CLEAR FOR LIFT OPERATIONS THIS VEHICLE STOPS AT ALL RAILROAD CROSSINGS #0030617</i>

SPO 25 2 OPTION 6281200F SEAT, SINGLE ICS TOD SEAT
W192FA0G FRONT END ALIGN
INCLUDES CAM & CASTER KIT AND PROOF OF ALIGNMENT
W195DG0G DRIVESHAFT GUARD ADD
W198VE0G VALVE STEM EXTENSIONS
W210M13G SUSPENSION MOR-RYDE E350
W210S1EG SUSPENSION SPRING SPACER LFIT SIDE E-SERIES
W223R3EG EXHAUST RH REAR E-SERIES
W230NFEG INTERLOCK INPOWER W/FAST IDLE E-SERIES
W240000G BUMPER FRONT OEM ONLY
W242RHNG BUMPER REAR ROMEO RIM HELP NARROW
W303GW3G DOOR ENTRY GALV WHITE ELECTRIC 30 IN
EMERGENCY RELEASE IS STANDARD
W310DS3G DOOR ENTRY PANELS DOUBLE SILVER ALUM 30 IN
W331EK0G EXTERIOR KEY
W332BG3G BRUSH GUARD
W340D0NG REAR DOOR ONLY 38X60 NARROW
W350T200 WINDOW PACKAGE - TSLIDE - 22FT
TRANSITION WINDOW - NEED TO SUBMIT DIMENSIONED DIAGRAM WITH BID
ONE CURBSIDE AND TWO STREET SIDE EMERGENCY EGRESS WINDOWS
W41071EG A/C 70K TM16 SKIRT INWALL ACT E-SERIES
W440350G HEATER 35K BTU EPDM HOSE W/ SHUTOFF DECAL
W443V50G 2ND 5/8 SHUTOFF VALVE W/ DECAL
W444SE0G STEPWELL ELECTRIC PAD
W450B0FG BATTERY MOUNT BOX
W456000G BATTERY POWER DISTR (1) OEM UNDERHOOD BATT
W490400G ELECTRICAL INTERFACE EP4 E-SERIES
W557TW0G CABLINER WITH STORAGE THUMB LATCH VINYL THATCH WHITE
OVERHEAD STORAGE TO HAVE BOTTOM-HINGE WITH STRAP TO LIMIT IT'S
MOVEMENT TO 90 DEGREES
W604000G SEAT BASE DRIVER OEM
W605000G DRIVER SEAT OEM
W620GB0G 2 SEAT PASSENGER FOLDAWAY 3-STEP DOUBLE NOTCH FREED
W620MB0G SEAT PASSENGER MID BACK DOUBLE 35 FREED
W660400G PASS FABRIC LEVEL 4 EACH SEAT
W661400G DRIVER FABRIC LEVEL 4
W670AU0G 5 ARMREST - U.S. EACH SEAT
ALL OR AISLE-ASK DEALER
W670CR0G 2 CRS HOOKS 2 PER SEAT EACH
W670GB0G 6 AV GRAB HANDLE BLACK EACH SEAT
W670X10G 4 SEATBELT EXTENDER 12 IN EACH
W673P52G SUBFLOOR PLWOOD 5/8 22 FT
W680US0G 8 SEAT BELT UNDER SEAT RETRACTABLE FREEDMAN
W708BY0G STAN PKG DRV AND PASS MODESTY YELLOW (INCL LH ENTRY)
W709DS0G DRIVER SHIELD 3/8 PLEX STAINLESS
W7108Y0G HANDRAIL OVERHEAD 96 IN YELLOW
W711TW0G ROOF HATCH TRANSPEC WHITE
W712RREG MIRROR EXTERIOR HEATED REMOTE ROSCO E-SERIES
W713610G MIRROR INTERIOR 6X16 REAR VIEW
W714BE0G 2 BLANKET EMERGENCY TRANSPORT

W714CB0G	CLEANUP BODY FLUID KIT
W714F20G	FIRST AID KIT 24 UNIT
W714LW0G	LENS WIDE ANGLE (REAR)
W714SC0G	SEATBELT CUTTER Q-STRNT
W714X50G	FIRE EXT REFLECTOR KIT 5#
W715L30G	LIGHT INTERIOR PACKAGE LED 3 DOME
W716110G	LIGHT EXTERIOR PKG LED WITH CENTER MOUNT BRAKE/REAR AMBER TURN/SIDE MARKER/
W717D10G	REAR DOOR AJAR BUZZER
W717PA3G	EXIT LOCATION LIGHT - ADD
W719B70G	BACKUP ASSIST CAMERA 7 IN MONITOR
W719RA0G	REVERSE ALARM
W720DF0G	DRIVER FAN
W720PR0G	PREWIRE IGN-BATT-GND RH DASH <i>FOR TWO WAY RADIO PREP</i>
W727SREG	RADIO AM/FM/USB/MP3 REI E-SERIES
W728560G	RADIO SPEAKERS 5 IN 6 EA
W733GS2G	FLOOR RUBBER GERFLOR SIRIUS 22 FT
W734RY3G	STEP NOSING RCA YELLOW 30IN WW
W735RY0G	STANDEE LINE RCA YELLOW 2 X 30
W738VW2G	HEADLINER VINYL THATCH WHITE 22 FT
W739VW2G	INTERIOR SIDEWALL VINYL THATCH WHITE 22 FT
W770LLEG	SPARE TIRE LOOSE E-SERIES DRW
W778LDEG	RUNNING BOARD LEFT SIDE DIAMOND PLATE E-SERIES
W790RFWG	MUD FLAPS REAR AND FRONT WHEELWELL FLOOR
W800D00G	WHEELCHAIR DOOR DOUBLE 48X72 ALUM
W8211B0G	WHEELCHAIR LIFT 34X54 1000 BRAUN NCL1000
W852LR0H	RESTRAINTS Q8100-A1 LTRACK REAR WALL REAR TO FRONT <i>EACH W/C SPACE SHALL HAVE AT LEAST 6: IN BETWEEN EACH SPACE</i>
W852LS0H	WC RESTRAINTS Q8100-A1 LTRACK SIDE WALL; REAR TO FRONT
W861SB0G	2 Q-STRAINT BELT STORAGE BAG
W862AD0G	DECALS ADA SPEC
W864LC0G	LIGHT LED CEILING MOUNT ABOVE LIFT
W865LS0G	LIGHT LED SKIRT MOUNT OVAL BELOW LIFT
W913000G	PAINT NO PAINT
W914ZP0G	RUSTPROOFING ZINC PHOSPHATE
W915760G	UNDERCOATING 76M

Additional Options Included:

Fixed Route Package:

- 1 PA System with 2 exterior Speakers
- 1 Farebox Prewire
- 1 Strobe Light
- 1 Front & Side Destination Sign (Transign)
- 1 Stop Request System
- 1 ANGEL TRAX HYBRID VAULT Camera System with 6 cameras
- 1 17" Monitor

Full Body Paint

ROHRER

School & Commercial Bus Sales

CLASS J

HFC30B	2017 E350 FORD 158-6.8 V10-12500GVWR T/C <i>TO HAVE POWER WINDOWS AND LOCKS</i>
WTE4WW5G	MODEL WT E-SERIES 24 FT WIDE WW 158WB
SPO 01	OPTION 1220000P CUSTOM OVERALL ELEC WIRING SCHMTC, JUMP DRIVE EP4 <i>ILO 11" X 17" LAMINATED SHEETS</i>
SPO 02	OPTION 770000CM UNDER BELLY, ALUMINUM
SPO 05	OPTION 7169000P LIGHT, UNDERHOOD LED EP4
SPO 06	OPTION 8117000V DOOR HOLDBACK, T-MOUNT <i>FOR REAR DOOR</i>
SPO 07	SRO 2608 TRANSPEC #7500 SAFETY AMBER LED CAUTION STOPPING TRAFFIC SIGN
SPO 08	OPTION 7172001H STEP LIGHT, LED DIALIGHT
SPO 09	SRO 2258 DRIPRAIL INSTALLED OVER ALL EXTERIOR WINDOWS AND DOORS
SPO 10	OPTION 7191000H STANCHION, PADDED YELLOW <i>COVERS ALL STANCHIONS</i>
SPO 11	SPO JUMPER CABLES
SPO 12	2 SPO 2658 62" X 80" WOOL BLANKETS
SPO 13	SPO 2599 SAFETY VEST
SPO 14	OPTION 7650000J WHEEL CHOCK - MOLDED RUBBER
SPO 15	OPTION 5561001F STORAGE BOX, BEHIND DRVR SEAT STD FLR
SPO 16	SPO 7240000P SPEAKER, FORD DRIVER DOOR EP4
SPO 17	12 SRO 2176 SUR-LOK - QUICK STRAP FE200750
SPO 19	SPO STARS AND STRIPES PACKAGE WITH REFLECTIVE TAPE AROUND ALL EGRESS WINDOWS.
SPO 20	SPO 2660 MATCHING WHITE TOUCH UP PAINT
SPO 22	OPTION 4300000G HOOD SCOOPS, WHITE VENT
SPO 23	OPTION 9170000M DECALS, CUSTOM INTERIOR (QUOTE) <i>EMERGENCY TELEPHONE NUMBERS: POLICE:, AMBULANCE:, FIRE:, TRANSPORTATION SYSTEM: EMERGENCY EQUIPMENT DECAL WATCH YOUR STEP-BLACK LETTERS/YELLOW BACKGROUND #70851, NO SMOKING #0028615, HEIGHT DECAL #0022423 ALL PASSENGERS MUST WEAR SEAT BELTS IS STANDARD, ALL PASSENGERS MUST WEAR SEAT BELTS WHILE VEHICLE IS IN MOTION IS STANDARD</i>
SPO 24	OPTION 9171000C DECALS, CUSTOM EXTERIOR VINYL GRAPHICS (QUOTE) <i>CAUTION: STAND CLEAR FOR LIFT OPERATIONS ALL EXTERIOR DECALS MUST BE 4" LETTERING WHITE LETTERS ON RED BACKGROUND THIS VEHICLE STOPS AT ALL RAILROAD CROSSINGS #0030617 CAUTION: LOADING AND UNLOADING PASSENGERS</i>
SPO 25	2 OPTION 6281200F SEAT, SINGLE ICS TOD SEAT

W192FA0G		FRONT END ALIGN <i>INCLUDES CAM & CASTER KIT AND PROOF OF ALIGNMENT</i>
W195DG0G		DRIVESHAFT GUARD ADD
W198VE0G		VALVE STEM EXTENSIONS
W210M13G		SUSPENSION MOR-RYDE E350
W210S1EG		SUSPENSION SPRING SPACER LFIT SIDE E-SERIES
W223R3EG		EXHAUST RH REAR E-SERIES
W230NFEG		INTERLOCK INPOWER W/FAST IDLE E-SERIES
W240000G		BUMPER FRONT OEM ONLY
W242RHNG		BUMPER REAR ROMEO RIM HELP NARROW
W303GW3G		DOOR ENTRY GALV WHITE ELECTRIC 30 IN <i>EMERGENCY RELEASE IS STANDARD</i>
W310DS3G		DOOR ENTRY PANELS DOUBLE SILVER ALUM 30 IN
W331EK0G		EXTERIOR KEY
W332BG3G		BRUSH GUARD
W340D0NG		REAR DOOR ONLY 38X60 NARROW
W350T400		WINDOW PACKAGE - TSLIDE - 24FT <i>ONE CURBSIDE AND TWO STREET SIDE EMERGENCY EGRESS WINDOWS</i>
W41071EG		A/C 70K TM16 SKIRT INWALL ACT E-SERIES
W440350G		HEATER 35K BTU EPDM HOSE W/ SHUTOFF DECAL
W443V50G		2ND 5/8 SHUTOFF VALVE W/ DECAL
W444SE0G		STEPWELL ELECTRIC PAD
W450B0FG		BATTERY MOUNT BOX
W456000G		BATTERY POWER DISTR (1) OEM UNDERHOOD BATT
W490400G		ELECTRICAL INTERFACE EP4 E-SERIES
W557TW0G		CABLINER WITH STORAGE THUMB LATCH VINYL THATCH WHITE <i>OVERHEAD STORAGE TO HAVE BOTTOM-HINGE WITH STRAP TO LIMIT IT'S MOVEMENT TO 90 DEGREES</i>
W604000G		SEAT BASE DRIVER OEM
W605000G		DRIVER SEAT OEM
W620GB0G	4	SEAT PASSENGER FOLDAWAY 3-STEP DOUBLE NOTCH FREED
W660400G		PASS FABRIC LEVEL 4 EACH SEAT
W661400G		DRIVER FABRIC LEVEL 4
W670AU0G	6	ARMREST - U.S. EACH SEAT <i>ALL OR AISLE-ASK DEALER</i>
W670CR0G	2	CRS HOOKS 2 PER SEAT EACH
W670GB0G	7	AV GRAB HANDLE BLACK EACH SEAT
W670X10G	4	SEATBELT EXTENDER 12 IN EACH
W673P54G		SUBFLOOR PLWOOD 5/8 24 FT
W680US0G	8	SEAT BELT UNDER SEAT RETRACTABLE FREEDMAN
W708BY0G		STAN PKG DRV AND PASS MODESTY YELLOW (INCL LH ENTRY)
W709DS0G		DRIVER SHIELD 3/8 PLEX STAINLESS
W7108Y0G		HANDRAIL OVERHEAD 96 IN YELLOW
W711TW0G		ROOF HATCH TRANSPEC WHITE
W712RREG		MIRROR EXTERIOR HEATED REMOTE ROSCO E-SERIES
W713610G		MIRROR INTERIOR 6X16 REAR VIEW
W714BE0G	2	BLANKET EMERGENCY TRANSPORT
W714CB0G		CLEANUP BODY FLUID KIT
W714F20G		FIRST AID KIT 24 UNIT
W714LW0G		LENS WIDE ANGLE (REAR)

W714SC0G	SEATBELT CUTTER Q-STRNT
W714X50G	FIRE EXT REFLECTOR KIT 5#
W715L30G	LIGHT INTERIOR PACKAGE LED 3 DOME
W716110G	LIGHT EXTERIOR PKG LED WITH CENTER MOUNT BRAKE/REAR AMBER TURN/SIDE MARKER/
W717D10G	REAR DOOR AJAR BUZZER
W717PA3G	EXIT LOCATION LIGHT - ADD
W719B70G	BACKUP ASSIST CAMERA 7 IN MONITOR
W719RA0G	REVERSE ALARM
W720DF0G	DRIVER FAN
W720PR0G	PREWIRE IGN-BATT-GND RH DASH <i>FOR TWO WAY RADIO PREP</i>
W727SREG	RADIO AM/FM/USB/MP3 REI E-SERIES
W728560G	RADIO SPEAKERS 5 IN 6 EA
W733GS4G	FLOOR RUBBER GERFLOR SIRIUS 24 FT
W734RY3G	STEP NOSING RCA YELLOW 30IN WW
W735RY0G	STANDEE LINE RCA YELLOW 2 X 30
W738VW4G	HEADLINER VINYL THATCH WHITE 24 FT
W739VW4G	INTERIOR SIDEWALL VINYL THATCH WHITE 24 FT
W770LLEG	SPARE TIRE LOOSE E-SERIES DRW
W778LDEG	RUNNING BOARD LEFT SIDE DIAMOND PLATE E-SERIES
W790RFWG	MUD FLAPS REAR AND FRONT WHEELWELL FLOOR
W800D00G	WHEELCHAIR DOOR DOUBLE 48X72 ALUM
W8211B0G	WHEELCHAIR LIFT 34X54 1000 BRAUN NCL1000
W852LR0H	RESTRAINTS Q8100-A1 LTRACK REAR WALL REAR TO FRONT <i>EACH W/C SPACE SHALL HAVE AT LEAST 6: IN BETWEEN EACH SPACE</i>
W852LS0H	2 WC RESTRAINTS Q8100-A1 LTRACK SIDE WALL; REAR TO FRONT
W861SB0G	3 Q-STRAINT BELT STORAGE BAG
W862AD0G	DECALS ADA SPEC
W864LC0G	LIGHT LED CEILING MOUNT ABOVE LIFT
W865LS0G	LIGHT LED SKIRT MOUNT OVAL BELOW LIFT
W913000G	PAINT NO PAINT
W914ZP0G	RUSTPROOFING ZINC PHOSPHATE
W915760G	UNDERCOATING 76M

Additional Options Included:

Fixed Route Package:

- 1 PA System with 2 exterior Speakers
- 1 Farebox Prewire
- 1 Strobe Light
- 1 Front & Side Destination Sign (Transign)
- 1 Stop Request System
- 1 ANGEL TRAX HYBRID VAULT Camera System with 6 cameras
- 1 17" Monitor

Full Body Paint

ROHRER

School & Commercial Bus Sales

CLASS K

HFC10B 2017 E350 FORD 138-6.8 V10-11500GVWR T/C
TO HAVE POWER WINDOWS AND LOCKS

WTE2WW3G MODEL WT E-SERIES 22 FT WIDE WW 138WB
NARROW BODY

SPO 01 OPTION 122000P CUSTOM OVERALL ELEC WIRING SCHMTC, JUMP DRIVE EP4
ILO 11" X 17" LAMINATED SHEETS

SPO 02 OPTION 770000CM UNDER BELLY, ALUMINUM

SPO 05 OPTION 7169000P LIGHT, UNDERHOOD LED EP4

SPO 06 OPTION 8117000V DOOR HOLDBACK, T-MOUNT
FOR REAR DOOR

SPO 07 SRO 2608 TRANSPEC #7500 SAFETY AMBER LED CAUTION STOPPING TRAFFIC
SIGN

SPO 08 OPTION 7172001H STEP LIGHT, LED DIALIGHT

SPO 09 SRO 2258 DRIPRAIL INSTALLED OVER ALL EXTERIOR WINDOWS AND DOORS

SPO 10 OPTION 7191000H STANCHION, PADDED YELLOW
COVERS ALL STANCHIONS

SPO 11 SPO JUMPER CABLES

SPO 12 2 SPO 2658 62" X 80" WOOL BLANKETS

SPO 13 SPO 2599 SAFETY VEST

SPO 14 OPTION 7650000J WHEEL CHOCK - MOLDED RUBBER

SPO 15 OPTION 5561001F STORAGE BOX, BEHIND DRVR SEAT STD FLR

SPO 16 SPO 7240000P SPEAKER, FORD DRIVER DOOR EP4

SPO 17 4 SRO 2176 SUR-LOK - QUICK STRAP FE200750

SPO 19 SPO STARS AND STRIPES PACKAGE WITH REFLECTIVE TAPE AROUND ALL
EGRESS WINDOWS.

SPO 20 SPO 2660 MATCHING WHITE TOUCH UP PAINT

SPO 22 OPTION 4300000G HOOD SCOOPS, WHITE VENT

SPO 23 OPTION 9170000M DECALS, CUSTOM INTERIOR (QUOTE)
*WATCH YOUR STEP-BLACK LETTERS/YELLOW BACKGROUND #70851, NO
SMOKING #0028615, HEIGHT DECAL #0022423*
*ALL PASSENGERS MUST WEAR SEAT BELTS IS STANDARD, ALL PASSENGERS
MUST WEAR SEAT BELTS WHILE VEHICLE IS IN MOTION IS STANDARD*
EMERGENCY EQUIPMENT DECAL
*EMERGENCY TELEPHONE NUMBERS: POLICE:, AMBULANCE:, FIRE:,
TRANSPORATATION SYSTEM:*

SPO 24 OPTION 9171000C DECALS, CUSTOM EXTERIOR VINYL GRAPHICS (QUOTE)
CAUTION: STAND CLEAR FOR LIFT OPERATIONS
CAUTION: LOADING AND UNLOADING PASSENGERS
THIS VEHICLE STOPS AT ALL RAILROAD CROSSINGS #0030617
*ALL EXTERIOR DECALS MUST BE 4" LETTERING WHITE LETTERS ON RED
BACKGROUND*

W192FA0G	FRONT END ALIGN <i>INCLUDES CAM & CASTER KIT AND PROOF OF ALIGNMENT</i>
W195DG0G	DRIVESHAFT GUARD ADD
W198VE0G	VALVE STEM EXTENSIONS
W210M13G	SUSPENSION MOR-RYDE E350
W210S1EG	SUSPENSION SPRING SPACER LFIT SIDE E-SERIES
W223R3EG	EXHAUST RH REAR E-SERIES
W230NFEG	INTERLOCK INPOWER W/FAST IDLE E-SERIES
W240000G	BUMPER FRONT OEM ONLY
W242RHNG	BUMPER REAR ROMEO RIM HELP NARROW
W303GW3G	DOOR ENTRY GALV WHITE ELECTRIC 30 IN <i>EMERGENCY RELEASE IS STANDARD</i>
W310DS3G	DOOR ENTRY PANELS DOUBLE SILVER ALUM 30 IN
W331EK0G	EXTERIOR KEY
W332BG3G	BRUSH GUARD
W340D0NG	REAR DOOR ONLY 38X60 NARROW
W350T200	WINDOW PACKAGE - TSLIDE - 22FT <i>TRANSITION WINDOW - NEED TO SUBMIT DIMENSIONED DIAGRAM WITH BID ONE CURBSIDE AND TWO STREET SIDE EMERGENCY EGRESS WINDOWS</i>
W41071EG	A/C 70K TM16 SKIRT INWALL ACT E-SERIES
W440350G	HEATER 35K BTU EPDM HOSE W/ SHUTOFF DECAL
W443V50G	2ND 5/8 SHUTOFF VALVE W/ DECAL
W444SE0G	STEPWELL ELECTRIC PAD
W450B0FG	BATTERY MOUNT BOX
W456000G	BATTERY POWER DISTR (1) OEM UNDERHOOD BATT
W490400G	ELECTRICAL INTERFACE EP4 E-SERIES
W557TW0G	CABLINER WITH STORAGE THUMB LATCH VINYL THATCH WHITE <i>OVERHEAD STORAGE TO HAVE BOTTOM-HINGE WITH STRAP TO LIMIT IT'S MOVEMENT TO 90 DEGREES</i>
W604000G	SEAT BASE DRIVER OEM
W605000G	DRIVER SEAT OEM
W620DB0G	2 SEAT PASSENGER DOUBLE W/1 ICS TOD SEAT FREED
W620MA0G	4 SEAT PASSENGER MID BACK SINGLE 17.5 FREED
W660400G	PASS FABRIC LEVEL 4 EACH SEAT
W661400G	DRIVER FABRIC LEVEL 4
W670AU0G	6 ARMREST - U.S. EACH SEAT <i>ALL OR AISLE-ASK DEALER</i>
W670CR0G	2 CRS HOOKS 2 PER SEAT EACH
W670GB0G	7 AV GRAB HANDLE BLACK EACH SEAT
W670X10G	4 SEATBELT EXTENDER 12 IN EACH
W673P52G	SUBFLOOR PLWOOD 5/8 22 FT
W680US0G	8 SEAT BELT UNDER SEAT RETRACTABLE FREEDMAN
W708BY0G	STAN PKG DRV AND PASS MODESTY YELLOW (INCL LH ENTRY)
W709DS0G	DRIVER SHIELD 3/8 PLEX STAINLESS
W7108Y0G	HANDRAIL OVERHEAD 96 IN YELLOW
W711TW0G	ROOF HATCH TRANSPEC WHITE
W712RREG	MIRROR EXTERIOR HEATED REMOTE ROSCO E-SERIES
W713610G	MIRROR INTERIOR 6X16 REAR VIEW
W714BE0G	2 BLANKET EMERGENCY TRANSPORT
W714CB0G	CLEANUP BODY FLUID KIT

W714F20G	FIRST AID KIT 24 UNIT
W714LW0G	LENS WIDE ANGLE (REAR)
W714SC0G	SEATBELT CUTTER Q-STRNT
W714X50G	FIRE EXT REFLECTOR KIT 5#
W715L30G	LIGHT INTERIOR PACKAGE LED 3 DOME
W716110G	LIGHT EXTERIOR PKG LED WITH CENTER MOUNT BRAKE/REAR AMBER TURN/SIDE MARKER/
W717D10G	REAR DOOR AJAR BUZZER
W717PA3G	EXIT LOCATION LIGHT - ADD
W719B70G	BACKUP ASSIST CAMERA 7 IN MONITOR
W719RA0G	REVERSE ALARM
W720DF0G	DRIVER FAN
W720PR0G	PREWIRE IGN-BATT-GND RH DASH <i>FOR TWO WAY RADIO PREP</i>
W727SREG	RADIO AM/FM/USB/MP3 REI E-SERIES
W728560G	RADIO SPEAKERS 5 IN 6 EA
W733GS2G	FLOOR RUBBER GERFLOR SIRIUS 22 FT
W734RY3G	STEP NOSING RCA YELLOW 30IN WW
W735RY0G	STANDEE LINE RCA YELLOW 2 X 30
W738VW2G	HEADLINER VINYL THATCH WHITE 22 FT
W739VW2G	INTERIOR SIDEWALL VINYL THATCH WHITE 22 FT
W770LLEG	SPARE TIRE LOOSE E-SERIES DRW
W778LDEG	RUNNING BOARD LEFT SIDE DIAMOND PLATE E-SERIES
W790RFWG	MUD FLAPS REAR AND FRONT WHEELWELL FLOOR
W800D00G	WHEELCHAIR DOOR DOUBLE 48X72 ALUM
W8211B0G	WHEELCHAIR LIFT 34X54 1000 BRAUN NCL1000
W852LR0H	RESTRAINTS Q8100-A1 LTRACK REAR WALL REAR TO FRONT <i>EACH W/C SPACE SHALL HAVE AT LEAST 6: IN BETWEEN EACH SPACE</i>
W861SB0G	Q-STRAINT BELT STORAGE BAG
W862AD0G	DECALS ADA SPEC
W864LC0G	LIGHT LED CEILING MOUNT ABOVE LIFT
W865LS0G	LIGHT LED SKIRT MOUNT OVAL BELOW LIFT
W913000G	PAINT NO PAINT
W914ZP0G	RUSTPROOFING ZINC PHOSPHATE
W915760G	UNDERCOATING 76M

Additional Options Included:

Fixed Route Package:

- 1 PA System with 2 exterior Speakers
- 1 Farebox Prewire
- 1 Strobe Light
- 1 Front & Side Destination Sign (Transign)
- 1 Stop Request System
- 1 ANGEL TRAX HYBRID VAULT Camera System with 6 cameras
- 1 17" Monitor

Three Quarter Body Paint with Expanded Graphics Package

ROHRER

School & Commercial Bus Sales

CLASS L

HFC10B	2017 E350 FORD 138-6.8 V10-11500GVWR T/C <i>TO HAVE POWER WINDOWS AND LOCKS</i>
WTE2WW3G	MODEL WT E-SERIES 22 FT WIDE WW 138WB <i>NARROW BODY</i>
SPO 01	OPTION 1220000P CUSTOM OVERALL ELEC WIRING SCHMTC, JUMP DRIVE EP4 <i>ILO 11" X 17" LAMINATED SHEETS</i>
SPO 02	OPTION 770000CM UNDER BELLY, ALUMINUM
SPO 05	OPTION 7169000P LIGHT, UNDERHOOD LED EP4
SPO 06	OPTION 8117000V DOOR HOLDBACK, T-MOUNT <i>FOR REAR DOOR</i>
SPO 07	SRO 2608 TRANSPEC #7500 SAFETY AMBER LED CAUTION STOPPING TRAFFIC SIGN
SPO 08	OPTION 7172001H STEP LIGHT, LED DIALIGHT
SPO 09	SRO 2258 DRIPRAIL INSTALLED OVER ALL EXTERIOR WINDOWS AND DOORS
SPO 10	OPTION 7191000H STANCHION, PADDED YELLOW <i>COVERS ALL STANCHIONS</i>
SPO 11	SPO JUMPER CABLES
SPO 12	2 SPO 2658 62" X 80" WOOL BLANKETS
SPO 13	SPO 2599 SAFETY VEST
SPO 14	OPTION 7650000J WHEEL CHOCK - MOLDED RUBBER
SPO 15	OPTION 5561001F STORAGE BOX, BEHIND DRVR SEAT STD FLR
SPO 16	SPO 7240000P SPEAKER, FORD DRIVER DOOR EP4
SPO 17	8 SRO 2176 SUR-LOK - QUICK STRAP FE200750
SPO 19	SPO STARS AND STRIPES PACKAGE WITH REFLECTIVE TAPE AROUND ALL EGRESS WINDOWS.
SPO 20	SPO 2660 MATCHING WHITE TOUCH UP PAINT
SPO 22	OPTION 4300000G HOOD SCOOPS, WHITE VENT
SPO 23	OPTION 9170000M DECALS, CUSTOM INTERIOR (QUOTE) <i>EMERGENCY TELEPHONE NUMBERS: POLICE:, AMBULANCE:, FIRE:, TRANSPORATATION SYSTEM: EMERGENCY EQUIPMENT DECAL WATCH YOUR STEP-BLACK LETTERS/YELLOW BACKGROUND #70851, NO SMOKING #0028615, HEIGHT DECAL #0022423 ALL PASSENGERS MUST WEAR SEAT BELTS IS STANDARD, ALL PASSENGERS MUST WEAR SEAT BELTS WHILE VEHICLE IS IN MOTION IS STANDARD</i>
SPO 24	OPTION 9171000C DECALS, CUSTOM EXTERIOR VINYL GRAPHICS (QUOTE) <i>ALL EXTERIOR DECALS MUST BE 4" LETTERING WHITE LETTERS ON RED BACKGROUND CAUTION: LOADING AND UNLOADING PASSENGERS CAUTION: STAND CLEAR FOR LIFT OPERATIONS THIS VEHICLE STOPS AT ALL RAILROAD CROSSINGS #0030617</i>
SPO 25	2 OPTION 6281200F SEAT, SINGLE ICS TOD SEAT

W192FA0G	FRONT END ALIGN <i>INCLUDES CAM & CASTER KIT AND PROOF OF ALIGNMENT</i>
W195DG0G	DRIVESHAFT GUARD ADD
W198VE0G	VALVE STEM EXTENSIONS
W210M13G	SUSPENSION MOR-RYDE E350
W210S1EG	SUSPENSION SPRING SPACER LFT SIDE E-SERIES
W223R3EG	EXHAUST RH REAR E-SERIES
W230NFEG	INTERLOCK INPOWER W/FAST IDLE E-SERIES
W240000G	BUMPER FRONT OEM ONLY
W242RHNG	BUMPER REAR ROMEO RIM HELP NARROW
W303GW3G	DOOR ENTRY GALV WHITE ELECTRIC 30 IN <i>EMERGENCY RELEASE IS STANDARD</i>
W310DS3G	DOOR ENTRY PANELS DOUBLE SILVER ALUM 30 IN
W331EK0G	EXTERIOR KEY
W332BG3G	BRUSH GUARD
W340D0NG	REAR DOOR ONLY 38X60 NARROW
W350T200	WINDOW PACKAGE - TSLIDE - 22FT <i>TRANSITION WINDOW - NEED TO SUBMIT DIMENSIONED DIAGRAM WITH BID ONE CURBSIDE AND TWO STREET SIDE EMERGENCY EGRESS WINDOWS</i>
W41071EG	A/C 70K TM16 SKIRT INWALL ACT E-SERIES
W440350G	HEATER 35K BTU EPDM HOSE W/ SHUTOFF DECAL
W443V50G	2ND 5/8 SHUTOFF VALVE W/ DECAL
W444SE0G	STEPWELL ELECTRIC PAD
W450B0FG	BATTERY MOUNT BOX
W456000G	BATTERY POWER DISTR (1) OEM UNDERHOOD BATT
W490400G	ELECTRICAL INTERFACE EP4 E-SERIES
W557TW0G	CABLINER WITH STORAGE THUMB LATCH VINYL THATCH WHITE <i>OVERHEAD STORAGE TO HAVE BOTTOM-HINGE WITH STRAP TO LIMIT IT'S MOVEMENT TO 90 DEGREES</i>
W604000G	SEAT BASE DRIVER OEM
W605000G	DRIVER SEAT OEM
W620GB0G	2 SEAT PASSENGER FOLDAWAY 3-STEP DOUBLE NOTCH FREED
W620MB0G	SEAT PASSENGER MID BACK DOUBLE 35 FREED
W660400G	PASS FABRIC LEVEL 4 EACH SEAT
W661400G	DRIVER FABRIC LEVEL 4
W670AU0G	5 ARMREST - U.S. EACH SEAT <i>ALL OR AISLE-ASK DEALER</i>
W670CR0G	2 CRS HOOKS 2 PER SEAT EACH
W670GB0G	6 AV GRAB HANDLE BLACK EACH SEAT
W670X10G	4 SEATBELT EXTENDER 12 IN EACH
W673P52G	SUBFLOOR PLWOOD 5/8 22 FT
W680US0G	8 SEAT BELT UNDER SEAT RETRACTABLE FREEDMAN
W708BY0G	STAN PKG DRV AND PASS MODESTY YELLOW (INCL LH ENTRY)
W709DS0G	DRIVER SHIELD 3/8 PLEX STAINLESS
W7108Y0G	HANDRAIL OVERHEAD 96 IN YELLOW
W711TW0G	ROOF HATCH TRANSPEC WHITE
W712RREG	MIRROR EXTERIOR HEATED REMOTE ROSCO E-SERIES
W713610G	MIRROR INTERIOR 6X16 REAR VIEW
W714BE0G	2 BLANKET EMERGENCY TRANSPORT
W714CB0G	CLEANUP BODY FLUID KIT

W714F20G	FIRST AID KIT 24 UNIT
W714LW0G	LENS WIDE ANGLE (REAR)
W714SC0G	SEATBELT CUTTER Q-STRNT
W714X50G	FIRE EXT REFLECTOR KIT 5#
W715L30G	LIGHT INTERIOR PACKAGE LED 3 DOME
W716110G	LIGHT EXTERIOR PKG LED WITH CENTER MOUNT BRAKE/REAR AMBER TURN/SIDE MARKER/
W717D10G	REAR DOOR AJAR BUZZER
W717PA3G	EXIT LOCATION LIGHT - ADD
W719B70G	BACKUP ASSIST CAMERA 7 IN MONITOR
W719RA0G	REVERSE ALARM
W720DF0G	DRIVER FAN
W720PR0G	PREWIRE IGN-BATT-GND RH DASH <i>FOR TWO WAY RADIO PREP</i>
W727SREG	RADIO AM/FM/USB/MP3 REI E-SERIES
W728560G	RADIO SPEAKERS 5 IN 6 EA
W733GS2G	FLOOR RUBBER GERFLOR SIRIUS 22 FT
W734RY3G	STEP NOSING RCA YELLOW 30IN WW
W735RY0G	STANDEE LINE RCA YELLOW 2 X 30
W738VW2G	HEADLINER VINYL THATCH WHITE 22 FT
W739VW2G	INTERIOR SIDEWALL VINYL THATCH WHITE 22 FT
W770LLEG	SPARE TIRE LOOSE E-SERIES DRW
W778LDEG	RUNNING BOARD LEFT SIDE DIAMOND PLATE E-SERIES
W790RFWG	MUD FLAPS REAR AND FRONT WHEELWELL FLOOR
W800D00G	WHEELCHAIR DOOR DOUBLE 48X72 ALUM
W8211B0G	WHEELCHAIR LIFT 34X54 1000 BRAUN NCL1000
W852LR0H	RESTRAINTS Q8100-A1 LTRACK REAR WALL REAR TO FRONT <i>EACH W/C SPACE SHALL HAVE AT LEAST 6: IN BETWEEN EACH SPACE</i>
W852LS0H	WC RESTRAINTS Q8100-A1 LTRACK SIDE WALL; REAR TO FRONT
W861SB0G	2 Q-STRAINT BELT STORAGE BAG
W862AD0G	DECALS ADA SPEC
W864LC0G	LIGHT LED CEILING MOUNT ABOVE LIFT
W865LS0G	LIGHT LED SKIRT MOUNT OVAL BELOW LIFT
W913000G	PAINT NO PAINT
W914ZP0G	RUSTPROOFING ZINC PHOSPHATE
W915760G	UNDERCOATING 76M

Additional Options Included:

Fixed Route Package:

- 1 PA System with 2 exterior Speakers
- 1 Farebox Prewire
- 1 Strobe Light
- 1 Front & Side Destination Sign (Transign)
- 1 Stop Request System
- 1 ANGEL TRAX HYBRID VAULT Camera System with 6 cameras
- 1 17" Monitor

Three Quarter Body Paint with Expanded Graphics Package

ROHRER

School & Commercial Bus Sales

CLASS M

HFC30B	2017 E350 FORD 158-6.8 V10-12500GVWR T/C <i>TO HAVE POWER WINDOWS AND LOCKS</i>
WTE4WW5G	MODEL WT E-SERIES 24 FT WIDE WW 158WB
SPO 01	OPTION 1220000P CUSTOM OVERALL ELEC WIRING SCHMTC, JUMP DRIVE EP4 <i>ILO 11" X 17" LAMINATED SHEETS</i>
SPO 02	OPTION 770000CM UNDER BELLY, ALUMINUM
SPO 05	OPTION 7169000P LIGHT, UNDERHOOD LED EP4
SPO 06	OPTION 8117000V DOOR HOLDBACK, T-MOUNT <i>FOR REAR DOOR</i>
SPO 07	SRO 2608 TRANSPEC #7500 SAFETY AMBER LED CAUTION STOPPING TRAFFIC SIGN
SPO 08	OPTION 7172001H STEP LIGHT, LED DIALIGHT
SPO 09	SRO 2258 DRIPRAIL INSTALLED OVER ALL EXTERIOR WINDOWS AND DOORS
SPO 10	OPTION 7191000H STANCHION, PADDED YELLOW <i>COVERS ALL STANCHIONS</i>
SPO 11	SPO JUMPER CABLES
SPO 12	2 SPO 2658 62" X 80" WOOL BLANKETS
SPO 13	SPO 2599 SAFETY VEST
SPO 14	OPTION 7650000J WHEEL CHOCK - MOLDED RUBBER
SPO 15	OPTION 5561001F STORAGE BOX, BEHIND DRVR SEAT STD FLR
SPO 16	SPO 7240000P SPEAKER, FORD DRIVER DOOR EP4
SPO 17	12 SRO 2176 SUR-LOK - QUICK STRAP FE200750
SPO 19	SPO STARS AND STRIPES PACKAGE WITH REFLECTIVE TAPE AROUND ALL EGRESS WINDOWS.
SPO 20	SPO 2660 MATCHING WHITE TOUCH UP PAINT
SPO 22	OPTION 4300000G HOOD SCOOPS, WHITE VENT
SPO 23	OPTION 9170000M DECALS, CUSTOM INTERIOR (QUOTE) <i>EMERGENCY TELEPHONE NUMBERS: POLICE., AMBULANCE., FIRE., TRANSPORTATION SYSTEM: EMERGENCY EQUIPMENT DECAL WATCH YOUR STEP-BLACK LETTERS/YELLOW BACKGROUND #70851, NO SMOKING #0028615, HEIGHT DECAL #0022423 ALL PASSENGERS MUST WEAR SEAT BELTS IS STANDARD, ALL PASSENGERS MUST WEAR SEAT BELTS WHILE VEHICLE IS IN MOTION IS STANDARD</i>
SPO 24	OPTION 9171000C DECALS, CUSTOM EXTERIOR VINYL GRAPHICS (QUOTE) <i>CAUTION: STAND CLEAR FOR LIFT OPERATIONS ALL EXTERIOR DECALS MUST BE 4" LETTERING WHITE LETTERS ON RED BACKGROUND THIS VEHICLE STOPS AT ALL RAILROAD CROSSINGS #0030617 CAUTION: LOADING AND UNLOADING PASSENGERS</i>
SPO 25	2 OPTION 6281200F SEAT, SINGLE ICS TOD SEAT

W192FA0G		FRONT END ALIGN <i>INCLUDES CAM & CASTER KIT AND PROOF OF ALIGNMENT</i>
W195DG0G		DRIVESHAFT GUARD ADD
W198VE0G		VALVE STEM EXTENSIONS
W210M13G		SUSPENSION MOR-RYDE E350
W210S1EG		SUSPENSION SPRING SPACER LFIT SIDE E-SERIES
W223R3EG		EXHAUST RH REAR E-SERIES
W230NFEG		INTERLOCK INPOWER W/FAST IDLE E-SERIES
W240000G		BUMPER FRONT OEM ONLY
W242RHNG		BUMPER REAR ROMEO RIM HELP NARROW
W303GW3G		DOOR ENTRY GALV WHITE ELECTRIC 30 IN <i>EMERGENCY RELEASE IS STANDARD</i>
W310DS3G		DOOR ENTRY PANELS DOUBLE SILVER ALUM 30 IN
W331EK0G		EXTERIOR KEY
W332BG3G		BRUSH GUARD
W340D0NG		REAR DOOR ONLY 38X60 NARROW
W350T400		WINDOW PACKAGE - TSLIDE - 24FT <i>ONE CURBSIDE AND TWO STREET SIDE EMERGENCY EGRESS WINDOWS</i>
W41071EG		A/C 70K TM16 SKIRT INWALL ACT E-SERIES
W440350G		HEATER 35K BTU EPDM HOSE W/ SHUTOFF DECAL
W443V50G		2ND 5/8 SHUTOFF VALVE W/ DECAL
W444SE0G		STEPWELL ELECTRIC PAD
W450B0FG		BATTERY MOUNT BOX
W456000G		BATTERY POWER DISTR (1) OEM UNDERHOOD BATT
W490400G		ELECTRICAL INTERFACE EP4 E-SERIES
W557TW0G		CABLINER WITH STORAGE THUMB LATCH VINYL THATCH WHITE <i>OVERHEAD STORAGE TO HAVE BOTTOM-HINGE WITH STRAP TO LIMIT IT'S MOVEMENT TO 90 DEGREES</i>
W604000G		SEAT BASE DRIVER OEM
W605000G		DRIVER SEAT OEM
W620GB0G	4	SEAT PASSENGER FOLDAWAY 3-STEP DOUBLE NOTCH FREED
W660400G		PASS FABRIC LEVEL 4 EACH SEAT
W661400G		DRIVER FABRIC LEVEL 4
W670AU0G	6	ARMREST - U.S. EACH SEAT <i>ALL OR AISLE-ASK DEALER</i>
W670CR0G	2	CRS HOOKS 2 PER SEAT EACH
W670GB0G	7	AV GRAB HANDLE BLACK EACH SEAT
W670X10G	4	SEATBELT EXTENDER 12 IN EACH
W673P54G		SUBFLOOR PLWOOD 5/8 24 FT
W680US0G	8	SEAT BELT UNDER SEAT RETRACTABLE FREEDMAN
W708BY0G		STAN PKG DRV AND PASS MODESTY YELLOW (INCL LH ENTRY)
W709DS0G		DRIVER SHIELD 3/8 PLEX STAINLESS
W7108Y0G		HANDRAIL OVERHEAD 96 IN YELLOW
W711TW0G		ROOF HATCH TRANSPEC WHITE
W712RREG		MIRROR EXTERIOR HEATED REMOTE ROSCO E-SERIES
W713610G		MIRROR INTERIOR 6X16 REAR VIEW
W714BE0G	2	BLANKET EMERGENCY TRANSPORT
W714CB0G		CLEANUP BODY FLUID KIT
W714F20G		FIRST AID KIT 24 UNIT
W714LW0G		LENS WIDE ANGLE (REAR)

W714SC0G	SEATBELT CUTTER Q-STRNT
W714X50G	FIRE EXT REFLECTOR KIT 5#
W715L30G	LIGHT INTERIOR PACKAGE LED 3 DOME
W716110G	LIGHT EXTERIOR PKG LED WITH CENTER MOUNT BRAKE/REAR AMBER TURN/SIDE MARKER/
W717D10G	REAR DOOR AJAR BUZZER
W717PA3G	EXIT LOCATION LIGHT - ADD
W719B70G	BACKUP ASSIST CAMERA 7 IN MONITOR
W719RA0G	REVERSE ALARM
W720DF0G	DRIVER FAN
W720PR0G	PREWIRE IGN-BATT-GND RH DASH <i>FOR TWO WAY RADIO PREP</i>
W727SREG	RADIO AM/FM/USB/MP3 REI E-SERIES
W728560G	RADIO SPEAKERS 5 IN 6 EA
W733GS4G	FLOOR RUBBER GERFLOR SIRIUS 24 FT
W734RY3G	STEP NOSING RCA YELLOW 30IN WW
W735RY0G	STANDEE LINE RCA YELLOW 2 X 30
W738VW4G	HEADLINER VINYL THATCH WHITE 24 FT
W739VW4G	INTERIOR SIDEWALL VINYL THATCH WHITE 24 FT
W770LLEG	SPARE TIRE LOOSE E-SERIES DRW
W778LDEG	RUNNING BOARD LEFT SIDE DIAMOND PLATE E-SERIES
W790RFWG	MUD FLAPS REAR AND FRONT WHEELWELL FLOOR
W800D00G	WHEELCHAIR DOOR DOUBLE 48X72 ALUM
W8211B0G	WHEELCHAIR LIFT 34X54 1000 BRAUN NCL1000
W852LR0H	RESTRAINTS Q8100-A1 LTRACK REAR WALL REAR TO FRONT <i>EACH W/C SPACE SHALL HAVE AT LEAST 6: IN BETWEEN EACH SPACE</i>
W852LS0H	2 WC RESTRAINTS Q8100-A1 LTRACK SIDE WALL; REAR TO FRONT
W861SB0G	3 Q-STRAINT BELT STORAGE BAG
W862AD0G	DECALS ADA SPEC
W864LC0G	LIGHT LED CEILING MOUNT ABOVE LIFT
W865LS0G	LIGHT LED SKIRT MOUNT OVAL BELOW LIFT
W913000G	PAINT NO PAINT
W914ZP0G	RUSTPROOFING ZINC PHOSPHATE
W915760G	UNDERCOATING 76M

Additional Options Included:

Fixed Route Package:

- 1 PA System with 2 exterior Speakers
- 1 Farebox Prewire
- 1 Strobe Light
- 1 Front & Side Destination Sign (Transign)
- 1 Stop Request System
- 1 ANGEL TRAX HYBRID VAULT Camera System with 6 cameras
- 1 17" Monitor

Three Quarter Body Paint with Expanded Graphics Package

ROHRER

School & Commercial Bus Sales

CLASS N

HFC10B	2017 E350 FORD 138-6.8 V10-11500GVWR T/C <i>TO HAVE POWER WINDOWS AND LOCKS</i>
WTE2WW3G	MODEL WT E-SERIES 22 FT WIDE WW 138WB <i>NARROW BODY</i>
SPO 01	OPTION 1220000P CUSTOM OVERALL ELEC WIRING SCHMTC, JUMP DRIVE EP4 <i>ILO 11" X 17" LAMINATED SHEETS</i>
SPO 02	OPTION 770000CM UNDER BELL Y, ALUMINUM
SPO 05	OPTION 7169000P LIGHT, UNDERHOOD LED EP4
SPO 06	OPTION 8117000V DOOR HOLDBACK, T-MOUNT <i>FOR REAR DOOR</i>
SPO 07	SRO 2608 TRANSPEC #7500 SAFETY AMBER LED CAUTION STOPPING TRAFFIC SIGN
SPO 08	OPTION 7172001H STEP LIGHT, LED DIALIGHT
SPO 09	SRO 2258 DRIPRAIL INSTALLED OVER ALL EXTERIOR WINDOWS AND DOORS
SPO 10	OPTION 7191000H STANCHION, PADDED YELLOW <i>COVERS ALL STANCHIONS</i>
SPO 11	SPO JUMPER CABLES
SPO 12	2 SPO 2658 62" X 80" WOOL BLANKETS
SPO 13	SPO 2599 SAFETY VEST
SPO 14	OPTION 7650000J WHEEL CHOCK - MOLDED RUBBER
SPO 15	OPTION 5561001F STORAGE BOX, BEHIND DRVR SEAT STD FLR
SPO 16	SPO 7240000P SPEAKER, FORD DRIVER DOOR EP4
SPO 17	4 SRO 2176 SUR-LOK - QUICK STRAP FE200750
SPO 19	SPO STARS AND STRIPES PACKAGE WITH REFLECTIVE TAPE AROUND ALL EGRESS WINDOWS.
SPO 20	SPO 2660 MATCHING WHITE TOUCH UP PAINT
SPO 22	OPTION 4300000G HOOD SCOOPS, WHITE VENT
SPO 23	OPTION 9170000M DECALS, CUSTOM INTERIOR (QUOTE) <i>WATCH YOUR STEP-BLACK LETTERS/YELLOW BACKGROUND #70851, NO SMOKING #0028615, HEIGHT DECAL #0022423</i> <i>ALL PASSENGERS MUST WEAR SEAT BELTS IS STANDARD, ALL PASSENGERS MUST WEAR SEAT BELTS WHILE VEHICLE IS IN MOTION IS STANDARD</i> <i>EMERGENCY EQUIPMENT DECAL</i> <i>EMERGENCY TELEPHONE NUMBERS: POLICE:, AMBULANCE:, FIRE:, TRANSPORTATION SYSTEM:</i>
SPO 24	OPTION 9171000C DECALS, CUSTOM EXTERIOR VINYL GRAPHICS (QUOTE) <i>CAUTION: STAND CLEAR FOR LIFT OPERATIONS</i> <i>CAUTION: LOADING AND UNLOADING PASSENGERS</i> <i>THIS VEHICLE STOPS AT ALL RAILROAD CROSSINGS #0030617</i> <i>ALL EXTERIOR DECALS MUST BE 4" LETTERING WHITE LETTERS ON RED BACKGROUND</i>

W192FA0G	FRONT END ALIGN <i>INCLUDES CAM & CASTER KIT AND PROOF OF ALIGNMENT</i>
W195DG0G	DRIVESHAFT GUARD ADD
W198VE0G	VALVE STEM EXTENSIONS
W210M13G	SUSPENSION MOR-RYDE E350
W210S1EG	SUSPENSION SPRING SPACER LFIT SIDE E-SERIES
W223R3EG	EXHAUST RH REAR E-SERIES
W230NFEG	INTERLOCK INPOWER W/FAST IDLE E-SERIES
W240000G	BUMPER FRONT OEM ONLY
W242RHNG	BUMPER REAR ROMEO RIM HELP NARROW
W303GW3G	DOOR ENTRY GALV WHITE ELECTRIC 30 IN <i>EMERGENCY RELEASE IS STANDARD</i>
W310DS3G	DOOR ENTRY PANELS DOUBLE SILVER ALUM 30 IN
W331EK0G	EXTERIOR KEY
W332BG3G	BRUSH GUARD
W340D0NG	REAR DOOR ONLY 38X60 NARROW
W350T200	WINDOW PACKAGE - TSLIDE - 22FT <i>TRANSITION WINDOW - NEED TO SUBMIT DIMENSIONED DIAGRAM WITH BID ONE CURBSIDE AND TWO STREET SIDE EMERGENCY EGRESS WINDOWS</i>
W41071EG	A/C 70K TM16 SKIRT INWALL ACT E-SERIES
W440350G	HEATER 35K BTU EPDM HOSE W/ SHUTOFF DECAL
W443V50G	2ND 5/8 SHUTOFF VALVE W/ DECAL
W444SE0G	STEPWELL ELECTRIC PAD
W450B0FG	BATTERY MOUNT BOX
W456000G	BATTERY POWER DISTR (1) OEM UNDERHOOD BATT
W490400G	ELECTRICAL INTERFACE EP4 E-SERIES
W557TW0G	CABLINER WITH STORAGE THUMB LATCH VINYL THATCH WHITE <i>OVERHEAD STORAGE TO HAVE BOTTOM-HINGE WITH STRAP TO LIMIT IT'S MOVEMENT TO 90 DEGREES</i>
W604000G	SEAT BASE DRIVER OEM
W605000G	DRIVER SEAT OEM
W620DB0G	2 SEAT PASSENGER DOUBLE W/1 ICS TOD SEAT FREED
W620MA0G	4 SEAT PASSENGER MID BACK SINGLE 17.5 FREED
W660400G	PASS FABRIC LEVEL 4 EACH SEAT
W661400G	DRIVER FABRIC LEVEL 4
W670AU0G	6 ARMREST - U.S. EACH SEAT <i>ALL OR AISLE-ASK DEALER</i>
W670CR0G	2 CRS HOOKS 2 PER SEAT EACH
W670GB0G	7 AV GRAB HANDLE BLACK EACH SEAT
W670X10G	4 SEATBELT EXTENDER 12 IN EACH
W673P52G	SUBFLOOR PLWOOD 5/8 22 FT
W680US0G	8 SEAT BELT UNDER SEAT RETRACTABLE FREEDMAN
W708BY0G	STAN PKG DRV AND PASS MODESTY YELLOW (INCL LH ENTRY)
W709DS0G	DRIVER SHIELD 3/8 PLEX STAINLESS
W7108Y0G	HANDRAIL OVERHEAD 96 IN YELLOW
W711TW0G	ROOF HATCH TRANSPEC WHITE
W712RREG	MIRROR EXTERIOR HEATED REMOTE ROSCO E-SERIES
W713610G	MIRROR INTERIOR 6X16 REAR VIEW
W714BE0G	2 BLANKET EMERGENCY TRANSPORT
W714CB0G	CLEANUP BODY FLUID KIT

W714F20G	FIRST AID KIT 24 UNIT
W714LW0G	LENS WIDE ANGLE (REAR)
W714SC0G	SEATBELT CUTTER Q-STRNT
W714X50G	FIRE EXT REFLECTOR KIT 5#
W715L30G	LIGHT INTERIOR PACKAGE LED 3 DOME
W716110G	LIGHT EXTERIOR PKG LED WITH CENTER MOUNT BRAKE/REAR AMBER TURN/SIDE MARKER/
W717D10G	REAR DOOR AJAR BUZZER
W717PA3G	EXIT LOCATION LIGHT - ADD
W719B70G	BACKUP ASSIST CAMERA 7 IN MONITOR
W719RA0G	REVERSE ALARM
W720DF0G	DRIVER FAN
W720PR0G	PREWIRE IGN-BATT-GND RH DASH <i>FOR TWO WAY RADIO PREP</i>
W727SREG	RADIO AM/FM/USB/MP3 REI E-SERIES
W728560G	RADIO SPEAKERS 5 IN 6 EA
W733GS2G	FLOOR RUBBER GERFLOR SIRIUS 22 FT
W734RY3G	STEP NOSING RCA YELLOW 30IN WW
W735RY0G	STANDEE LINE RCA YELLOW 2 X 30
W738VW2G	HEADLINER VINYL THATCH WHITE 22 FT
W739VW2G	INTERIOR SIDEWALL VINYL THATCH WHITE 22 FT
W770LLEG	SPARE TIRE LOOSE E-SERIES DRW
W778LDEG	RUNNING BOARD LEFT SIDE DIAMOND PLATE E-SERIES
W790RFWG	MUD FLAPS REAR AND FRONT WHEELWELL FLOOR
W800D00G	WHEELCHAIR DOOR DOUBLE 48X72 ALUM
W8211B0G	WHEELCHAIR LIFT 34X54 1000 BRAUN NCL1000
W852LR0H	RESTRAINTS Q8100-A1 LTRACK REAR WALL REAR TO FRONT <i>EACH W/C SPACE SHALL HAVE AT LEAST 6: IN BETWEEN EACH SPACE</i>
W861SB0G	Q-STRAINT BELT STORAGE BAG
W862AD0G	DECALS ADA SPEC
W864LC0G	LIGHT LED CEILING MOUNT ABOVE LIFT
W865LS0G	LIGHT LED SKIRT MOUNT OVAL BELOW LIFT
W913000G	PAINT NO PAINT
W914ZP0G	RUSTPROOFING ZINC PHOSPHATE
W915760G	UNDERCOATING 76M

Additional Options Included:

Fixed Route Package:

- 1 PA System with 2 exterior Speakers
- 1 Farebox Prewire
- 1 Strobe Light
- 1 Front & Side Destination Sign (Transign)
- 1 Stop Request System
- 1 ANGEL TRAX HYBRID VAULT Camera System with 6 cameras
- 1 17" Monitor

Painted Skirt

ROHRER

School & Commercial Bus Sales

CLASS O

HFC10B 2017 E350 FORD 138-6.8 V10-11500GVWR T/C
TO HAVE POWER WINDOWS AND LOCKS

WTE2WW3G MODEL WT E-SERIES 22 FT WIDE WW 138WB
NARROW BODY

SPO 01 OPTION 1220000P CUSTOM OVERALL ELEC WIRING SCHMTC, JUMP DRIVE EP4
ILO 11" X 17" LAMINATED SHEETS

SPO 02 OPTION 770000CM UNDER BELLY, ALUMINUM

SPO 05 OPTION 7169000P LIGHT, UNDERHOOD LED EP4

SPO 06 OPTION 8117000V DOOR HOLDBACK, T-MOUNT
FOR REAR DOOR

SPO 07 SRO 2608 TRANSPEC #7500 SAFETY AMBER LED CAUTION STOPPING TRAFFIC
SIGN

SPO 08 OPTION 7172001H STEP LIGHT, LED DIALIGHT

SPO 09 SRO 2258 DRIPRAIL INSTALLED OVER ALL EXTERIOR WINDOWS AND DOORS

SPO 10 OPTION 7191000H STANCHION, PADDED YELLOW
COVERS ALL STANCHIONS

SPO 11 SPO JUMPER CABLES

SPO 12 2 SPO 2658 62" X 80" WOOL BLANKETS

SPO 13 SPO 2599 SAFETY VEST

SPO 14 OPTION 7650000J WHEEL CHOCK - MOLDED RUBBER

SPO 15 OPTION 5561001F STORAGE BOX, BEHIND DRVR SEAT STD FLR

SPO 16 SPO 7240000P SPEAKER, FORD DRIVER DOOR EP4

SPO 17 8 SRO 2176 SUR-LOK - QUICK STRAP FE200750

SPO 19 SPO STARS AND STRIPES PACKAGE WITH REFLECTIVE TAPE AROUND ALL
EGRESS WINDOWS.

SPO 20 SPO 2660 MATCHING WHITE TOUCH UP PAINT

SPO 22 OPTION 4300000G HOOD SCOOPS, WHITE VENT

SPO 23 OPTION 9170000M DECALS, CUSTOM INTERIOR (QUOTE)
*EMERGENCY TELEPHONE NUMBERS: POLICE:, AMBULANCE:, FIRE:,
TRANSPORATATION SYSTEM:
EMERGENCY EQUIPMENT DECAL
WATCH YOUR STEP-BLACK LETTERS/YELLOW BACKGROUND #70851, NO
SMOKING #0028615, HEIGHT DECAL #0022423
ALL PASSENGERS MUST WEAR SEAT BELTS IS STANDARD, ALL PASSENGERS
MUST WEAR SEAT BELTS WHILE VEHICLE IS IN MOTION IS STANDARD*

SPO 24 OPTION 9171000C DECALS, CUSTOM EXTERIOR VINYL GRAPHICS (QUOTE)
*ALL EXTERIOR DECALS MUST BE 4" LETTERING WHITE LETTERS ON RED
BACKGROUND
CAUTION: LOADING AND UNLOADING PASSENGERS
CAUTION: STAND CLEAR FOR LIFT OPERATIONS
THIS VEHICLE STOPS AT ALL RAILROAD CROSSINGS #0030617*

SPO 25 2 OPTION 6281200F SEAT, SINGLE ICS TOD SEAT
W192FA0G FRONT END ALIGN
INCLUDES CAM & CASTER KIT AND PROOF OF ALIGNMENT
W195DG0G DRIVESHAFT GUARD ADD
W198VE0G VALVE STEM EXTENSIONS
W210M13G SUSPENSION MOR-RYDE E350
W210S1EG SUSPENSION SPRING SPACER LFIT SIDE E-SERIES
W223R3EG EXHAUST RH REAR E-SERIES
W230NFEG INTERLOCK INPOWER W/FAST IDLE E-SERIES
W240000G BUMPER FRONT OEM ONLY
W242RHNG BUMPER REAR ROMEO RIM HELP NARROW
W303GW3G DOOR ENTRY GALV WHITE ELECTRIC 30 IN
EMERGENCY RELEASE IS STANDARD
W310DS3G DOOR ENTRY PANELS DOUBLE SILVER ALUM 30 IN
W331EK0G EXTERIOR KEY
W332BG3G BRUSH GUARD
W340D0NG REAR DOOR ONLY 38X60 NARROW
W350T200 WINDOW PACKAGE - TSLIDE - 22FT
*TRANSITION WINDOW - NEED TO SUBMIT DIMENSIONED DIAGRAM WITH BID
ONE CURBSIDE AND TWO STREET SIDE EMERGENCY EGRESS WINDOWS*
W41071EG A/C 70K TM16 SKIRT INWALL ACT E-SERIES
W440350G HEATER 35K BTU EPDM HOSE W/ SHUTOFF DECAL
W443V50G 2ND 5/8 SHUTOFF VALVE W/ DECAL
W444SE0G STEPWELL ELECTRIC PAD
W450B0FG BATTERY MOUNT BOX
W456000G BATTERY POWER DISTR (1) OEM UNDERHOOD BATT
W490400G ELECTRICAL INTERFACE EP4 E-SERIES
W557TW0G CABLINER WITH STORAGE THUMB LATCH VINYL THATCH WHITE
*OVERHEAD STORAGE TO HAVE BOTTOM-HINGE WITH STRAP TO LIMIT IT'S
MOVEMENT TO 90 DEGREES*
W604000G SEAT BASE DRIVER OEM
W605000G DRIVER SEAT OEM
W620GB0G 2 SEAT PASSENGER FOLDAWAY 3-STEP DOUBLE NOTCH FREED
W620MB0G SEAT PASSENGER MID BACK DOUBLE 35 FREED
W660400G PASS FABRIC LEVEL 4 EACH SEAT
W661400G DRIVER FABRIC LEVEL 4
W670AU0G 5 ARMREST - U.S. EACH SEAT
ALL OR AISLE-ASK DEALER
W670CR0G 2 CRS HOOKS 2 PER SEAT EACH
W670GB0G 6 AV GRAB HANDLE BLACK EACH SEAT
W670X10G 4 SEATBELT EXTENDER 12 IN EACH
W673P52G SUBFLOOR PLWOOD 5/8 22 FT
W680US0G 8 SEAT BELT UNDER SEAT RETRACTABLE FREEDMAN
W708BY0G STAN PKG DRV AND PASS MODESTY YELLOW (INCL LH ENTRY)
W709DS0G DRIVER SHIELD 3/8 PLEX STAINLESS
W7108Y0G HANDRAIL OVERHEAD 96 IN YELLOW
W711TW0G ROOF HATCH TRANSPEC WHITE
W712RREG MIRROR EXTERIOR HEATED REMOTE ROSCO E-SERIES
W713610G MIRROR INTERIOR 6X16 REAR VIEW
W714BE0G 2 BLANKET EMERGENCY TRANSPORT

W714CB0G	CLEANUP BODY FLUID KIT
W714F20G	FIRST AID KIT 24 UNIT
W714LW0G	LENS WIDE ANGLE (REAR)
W714SC0G	SEATBELT CUTTER Q-STRNT
W714X50G	FIRE EXT REFLECTOR KIT 5#
W715L30G	LIGHT INTERIOR PACKAGE LED 3 DOME
W716110G	LIGHT EXTERIOR PKG LED WITH CENTER MOUNT BRAKE/REAR AMBER TURN/SIDE MARKER/
W717D10G	REAR DOOR AJAR BUZZER
W717PA3G	EXIT LOCATION LIGHT - ADD
W719B70G	BACKUP ASSIST CAMERA 7 IN MONITOR
W719RA0G	REVERSE ALARM
W720DF0G	DRIVER FAN
W720PR0G	PREWIRE IGN-BATT-GND RH DASH <i>FOR TWO WAY RADIO PREP</i>
W727SREG	RADIO AM/FM/USB/MP3 REI E-SERIES
W728560G	RADIO SPEAKERS 5 IN 6 EA
W733GS2G	FLOOR RUBBER GERFLOR SIRIUS 22 FT
W734RY3G	STEP NOSING RCA YELLOW 30IN WW
W735RY0G	STANDEE LINE RCA YELLOW 2 X 30
W738VW2G	HEADLINER VINYL THATCH WHITE 22 FT
W739VW2G	INTERIOR SIDEWALL VINYL THATCH WHITE 22 FT
W770LLEG	SPARE TIRE LOOSE E-SERIES DRW
W778LDEG	RUNNING BOARD LEFT SIDE DIAMOND PLATE E-SERIES
W790RFWG	MUD FLAPS REAR AND FRONT WHEELWELL FLOOR
W800D00G	WHEELCHAIR DOOR DOUBLE 48X72 ALUM
W8211B0G	WHEELCHAIR LIFT 34X54 1000 BRAUN NCL1000
W852LR0H	RESTRAINTS Q8100-A1 LTRACK REAR WALL REAR TO FRONT <i>EACH W/C SPACE SHALL HAVE AT LEAST 6: IN BETWEEN EACH SPACE</i>
W852LS0H	WC RESTRAINTS Q8100-A1 LTRACK SIDE WALL; REAR TO FRONT
W861SB0G	2 Q-STRAINT BELT STORAGE BAG
W862AD0G	DECALS ADA SPEC
W864LC0G	LIGHT LED CEILING MOUNT ABOVE LIFT
W865LS0G	LIGHT LED SKIRT MOUNT OVAL BELOW LIFT
W913000G	PAINT NO PAINT
W914ZP0G	RUSTPROOFING ZINC PHOSPHATE
W915760G	UNDERCOATING 76M

Additional Options Included:

Fixed Route Package:

- 1 PA System with 2 exterior Speakers
- 1 Farebox Prewire
- 1 Strobe Light
- 1 Front & Side Destination Sign (Transign)
- 1 Stop Request System
- 1 ANGEL TRAX HYBRID VAULT Camera System with 6 cameras
- 1 17" Monitor

Painted Skirt

ROHRER

School & Commercial Bus Sales

CLASS P

HFC30B	2017 E350 FORD 158-6.8 V10-12500GVWR T/C <i>TO HAVE POWER WINDOWS AND LOCKS</i>
WTE4WW5G	MODEL WT E-SERIES 24 FT WIDE WW 158WB
SPO 01	OPTION 1220000P CUSTOM OVERALL ELEC WIRING SCHMTC, JUMP DRIVE EP4 <i>ILO 11" X 17" LAMINATED SHEETS</i>
SPO 02	OPTION 770000CM UNDER BELLY, ALUMINUM
SPO 05	OPTION 7169000P LIGHT, UNDERHOOD LED EP4
SPO 06	OPTION 8117000V DOOR HOLDBACK, T-MOUNT <i>FOR REAR DOOR</i>
SPO 07	SRO 2608 TRANSPEC #7500 SAFETY AMBER LED CAUTION STOPPING TRAFFIC SIGN
SPO 08	OPTION 7172001H STEP LIGHT, LED DIALIGHT
SPO 09	SRO 2258 DRIPRAIL INSTALLED OVER ALL EXTERIOR WINDOWS AND DOORS
SPO 10	OPTION 7191000H STANCHION, PADDED YELLOW <i>COVERS ALL STANCHIONS</i>
SPO 11	SPO JUMPER CABLES
SPO 12	2 SPO 2658 62" X 80" WOOL BLANKETS
SPO 13	SPO 2599 SAFETY VEST
SPO 14	OPTION 7650000J WHEEL CHOCK - MOLDED RUBBER
SPO 15	OPTION 5561001F STORAGE BOX, BEHIND DRVR SEAT STD FLR
SPO 16	SPO 7240000P SPEAKER, FORD DRIVER DOOR EP4
SPO 17	12 SRO 2176 SUR-LOK - QUICK STRAP FE200750
SPO 19	SPO STARS AND STRIPES PACKAGE WITH REFLECTIVE TAPE AROUND ALL EGRESS WINDOWS.
SPO 20	SPO 2660 MATCHING WHITE TOUCH UP PAINT
SPO 22	OPTION 4300000G HOOD SCOOPS, WHITE VENT
SPO 23	OPTION 9170000M DECALS, CUSTOM INTERIOR (QUOTE) <i>EMERGENCY TELEPHONE NUMBERS: POLICE:, AMBULANCE:, FIRE:, TRANSPORTATION SYSTEM: EMERGENCY EQUIPMENT DECAL WATCH YOUR STEP-BLACK LETTERS/YELLOW BACKGROUND #70851, NO SMOKING #0028615, HEIGHT DECAL #0022423 ALL PASSENGERS MUST WEAR SEAT BELTS IS STANDARD, ALL PASSENGERS MUST WEAR SEAT BELTS WHILE VEHICLE IS IN MOTION IS STANDARD</i>
SPO 24	OPTION 9171000C DECALS, CUSTOM EXTERIOR VINYL GRAPHICS (QUOTE) <i>CAUTION: STAND CLEAR FOR LIFT OPERATIONS ALL EXTERIOR DECALS MUST BE 4" LETTERING WHITE LETTERS ON RED BACKGROUND THIS VEHICLE STOPS AT ALL RAILROAD CROSSINGS #0030617 CAUTION: LOADING AND UNLOADING PASSENGERS</i>
SPO 25	2 OPTION 6281200F SEAT, SINGLE ICS TOD SEAT

W192FA0G		FRONT END ALIGN <i>INCLUDES CAM & CASTER KIT AND PROOF OF ALIGNMENT</i>
W195DG0G		DRIVESHAFT GUARD ADD
W198VE0G		VALVE STEM EXTENSIONS
W210M13G		SUSPENSION MOR-RYDE E350
W210S1EG		SUSPENSION SPRING SPACER LFIT SIDE E-SERIES
W223R3EG		EXHAUST RH REAR E-SERIES
W230NFEG		INTERLOCK INPOWER W/FAST IDLE E-SERIES
W240000G		BUMPER FRONT OEM ONLY
W242RHNG		BUMPER REAR ROMEO RIM HELP NARROW
W303GW3G		DOOR ENTRY GALV WHITE ELECTRIC 30 IN <i>EMERGENCY RELEASE IS STANDARD</i>
W310DS3G		DOOR ENTRY PANELS DOUBLE SILVER ALUM 30 IN
W331EK0G		EXTERIOR KEY
W332BG3G		BRUSH GUARD
W340D0NG		REAR DOOR ONLY 38X60 NARROW
W350T400		WINDOW PACKAGE - TSLIDE - 24FT <i>ONE CURBSIDE AND TWO STREET SIDE EMERGENCY EGRESS WINDOWS</i>
W41071EG		A/C 70K TM16 SKIRT INWALL ACT E-SERIES
W440350G		HEATER 35K BTU EPDM HOSE W/ SHUTOFF DECAL
W443V50G		2ND 5/8 SHUTOFF VALVE W/ DECAL
W444SE0G		STEPWELL ELECTRIC PAD
W450B0FG		BATTERY MOUNT BOX
W456000G		BATTERY POWER DISTR (1) OEM UNDERHOOD BATT
W490400G		ELECTRICAL INTERFACE EP4 E-SERIES
W557TW0G		CABLINER WITH STORAGE THUMB LATCH VINYL THATCH WHITE <i>OVERHEAD STORAGE TO HAVE BOTTOM-HINGE WITH STRAP TO LIMIT IT'S MOVEMENT TO 90 DEGREES</i>
W604000G		SEAT BASE DRIVER OEM
W605000G		DRIVER SEAT OEM
W620GB0G	4	SEAT PASSENGER FOLDAWAY 3-STEP DOUBLE NOTCH FREED
W660400G		PASS FABRIC LEVEL 4 EACH SEAT
W661400G		DRIVER FABRIC LEVEL 4
W670AU0G	6	ARMREST - U.S. EACH SEAT <i>ALL OR AISLE-ASK DEALER</i>
W670CR0G	2	CRS HOOKS 2 PER SEAT EACH
W670GB0G	7	AV GRAB HANDLE BLACK EACH SEAT
W670X10G	4	SEATBELT EXTENDER 12 IN EACH
W673P54G		SUBFLOOR PLWOOD 5/8 24 FT
W680US0G	8	SEAT BELT UNDER SEAT RETRACTABLE FREEDMAN
W708BY0G		STAN PKG DRV AND PASS MODESTY YELLOW (INCL LH ENTRY)
W709DS0G		DRIVER SHIELD 3/8 PLEX STAINLESS
W7108Y0G		HANDRAIL OVERHEAD 96 IN YELLOW
W711TW0G		ROOF HATCH TRANSPEC WHITE
W712RREG		MIRROR EXTERIOR HEATED REMOTE ROSCO E-SERIES
W713610G		MIRROR INTERIOR 6X16 REAR VIEW
W714BE0G	2	BLANKET EMERGENCY TRANSPORT
W714CB0G		CLEANUP BODY FLUID KIT
W714F20G		FIRST AID KIT 24 UNIT
W714LW0G		LENS WIDE ANGLE (REAR)

W714SC0G	SEATBELT CUTTER Q-STRNT
W714X50G	FIRE EXT REFLECTOR KIT 5#
W715L30G	LIGHT INTERIOR PACKAGE LED 3 DOME
W716110G	LIGHT EXTERIOR PKG LED WITH CENTER MOUNT BRAKE/REAR AMBER TURN/SIDE MARKER/
W717D10G	REAR DOOR AJAR BUZZER
W717PA3G	EXIT LOCATION LIGHT - ADD
W719B70G	BACKUP ASSIST CAMERA 7 IN MONITOR
W719RA0G	REVERSE ALARM
W720DF0G	DRIVER FAN
W720PROG	PREWIRE IGN-BATT-GND RH DASH <i>FOR TWO WAY RADIO PREP</i>
W727SREG	RADIO AM/FM/USB/MP3 REI E-SERIES
W728560G	RADIO SPEAKERS 5 IN 6 EA
W733GS4G	FLOOR RUBBER GERFLOR SIRIUS 24 FT
W734RY3G	STEP NOSING RCA YELLOW 30IN WW
W735RY0G	STANDEE LINE RCA YELLOW 2 X 30
W738VW4G	HEADLINER VINYL THATCH WHITE 24 FT
W739VW4G	INTERIOR SIDEWALL VINYL THATCH WHITE 24 FT
W770LLEG	SPARE TIRE LOOSE E-SERIES DRW
W778LDEG	RUNNING BOARD LEFT SIDE DIAMOND PLATE E-SERIES
W790RFWG	MUD FLAPS REAR AND FRONT WHEELWELL FLOOR
W800D00G	WHEELCHAIR DOOR DOUBLE 48X72 ALUM
W8211B0G	WHEELCHAIR LIFT 34X54 1000 BRAUN NCL1000
W852LR0H	RESTRAINTS Q8100-A1 LTRACK REAR WALL REAR TO FRONT <i>EACH W/C SPACE SHALL HAVE AT LEAST 6: IN BETWEEN EACH SPACE</i>
W852LS0H	2 WC RESTRAINTS Q8100-A1 LTRACK SIDE WALL; REAR TO FRONT
W861SB0G	3 Q-STRAINT BELT STORAGE BAG
W862AD0G	DECALS ADA SPEC
W864LC0G	LIGHT LED CEILING MOUNT ABOVE LIFT
W865LS0G	LIGHT LED SKIRT MOUNT OVAL BELOW LIFT
W913000G	PAINT NO PAINT
W914ZP0G	RUSTPROOFING ZINC PHOSPHATE
W915760G	UNDERCOATING 76M

Additional Options Included:

Fixed Route Package:

- 1 PA System with 2 exterior Speakers
- 1 Farebox Prewire
- 1 Strobe Light
- 1 Front & Side Destination Sign (Transign)
- 1 Stop Request System
- 1 ANGEL TRAX HYBRID VAULT Camera System with 6 cameras
- 1 17" Monitor

Painted Skirt

ROHRER

School & Commercial Bus Sales

CLASS Q

- HFC10B 2017 E350 FORD 138-6.8 V10-11500GVWR T/C
TO HAVE POWER WINDOWS AND LOCKS
- WTE2WW3G MODEL WT E-SERIES 22 FT WIDE WW 138WB
NARROW BODY
- SPO 01 OPTION 1220000P CUSTOM OVERALL ELEC WIRING SCHMTC, JUMP DRIVE EP4
ILO 11" X 17" LAMINATED SHEETS
- SPO 02 OPTION 770000CM UNDER BELLY, ALUMINUM
- SPO 05 OPTION 7169000P LIGHT, UNDERHOOD LED EP4
- SPO 06 OPTION 8117000V DOOR HOLDBACK, T-MOUNT
FOR REAR DOOR
- SPO 07 SRO 2608 TRANSPEC #7500 SAFETY AMBER LED CAUTION STOPPING TRAFFIC SIGN
- SPO 08 OPTION 7172001H STEP LIGHT, LED DIALIGHT
- SPO 09 SRO 2258 DRIPRAIL INSTALLED OVER ALL EXTERIOR WINDOWS AND DOORS
- SPO 10 OPTION 7191000H STANCHION, PADDED YELLOW
COVERS ALL STANCHIONS
- SPO 11 SPO JUMPER CABLES
- SPO 12 2 SPO 2658 62" X 80" WOOL BLANKETS
- SPO 13 SPO 2599 SAFETY VEST
- SPO 14 OPTION 7650000J WHEEL CHOCK - MOLDED RUBBER
- SPO 15 OPTION 5561001F STORAGE BOX, BEHIND DRVR SEAT STD FLR
- SPO 16 SPO 7240000P SPEAKER, FORD DRIVER DOOR EP4
- SPO 17 4 SRO 2176 SUR-LOK - QUICK STRAP FE200750
- SPO 19 SPO STARS AND STRIPES PACKAGE WITH REFLECTIVE TAPE AROUND ALL EGRESS WINDOWS.
- SPO 20 SPO 2660 MATCHING WHITE TOUCH UP PAINT
- SPO 22** OPTION 4300000G HOOD SCOOPS, WHITE VENT
- SPO 23** OPTION 9170000M DECALS, CUSTOM INTERIOR (QUOTE)
WATCH YOUR STEP-BLACK LETTERS/YELLOW BACKGROUND #70851, NO SMOKING #0028615, HEIGHT DECAL #0022423
ALL PASSENGERS MUST WEAR SEAT BELTS IS STANDARD, ALL PASSENGERS MUST WEAR SEAT BELTS WHILE VEHICLE IS IN MOTION IS STANDARD
EMERGENCY EQUIPMENT DECAL
EMERGENCY TELEPHONE NUMBERS: POLICE:, AMBULANCE:, FIRE:, TRANSPORTATION SYSTEM:
- SPO 24** OPTION 9171000C DECALS, CUSTOM EXTERIOR VINYL GRAPHICS (QUOTE)
CAUTION: STAND CLEAR FOR LIFT OPERATIONS
CAUTION: LOADING AND UNLOADING PASSENGERS
THIS VEHICLE STOPS AT ALL RAILROAD CROSSINGS #0030617
ALL EXTERIOR DECALS MUST BE 4" LETTERING WHITE LETTERS ON RED BACKGROUND

W192FA0G	FRONT END ALIGN <i>INCLUDES CAM & CASTER KIT AND PROOF OF ALIGNMENT</i>
W195DG0G	DRIVESHAFT GUARD ADD
W198VE0G	VALVE STEM EXTENSIONS
W210M13G	SUSPENSION MOR-RYDE E350
W210S1EG	SUSPENSION SPRING SPACER LFIT SIDE E-SERIES
W223R3EG	EXHAUST RH REAR E-SERIES
W230NFEG	INTERLOCK INPOWER W/FAST IDLE E-SERIES
W240000G	BUMPER FRONT OEM ONLY
W242RHNG	BUMPER REAR ROMEO RIM HELP NARROW
W303GW3G	DOOR ENTRY GALV WHITE ELECTRIC 30 IN <i>EMERGENCY RELEASE IS STANDARD</i>
W310DS3G	DOOR ENTRY PANELS DOUBLE SILVER ALUM 30 IN
W331EK0G	EXTERIOR KEY
W332BG3G	BRUSH GUARD
W340D0NG	REAR DOOR ONLY 38X60 NARROW
W350T200	WINDOW PACKAGE - TSLIDE - 22FT <i>TRANSITION WINDOW - NEED TO SUBMIT DIMENSIONED DIAGRAM WITH BID ONE CURBSIDE AND TWO STREET SIDE EMERGENCY EGRESS WINDOWS</i>
W41071EG	A/C 70K TM16 SKIRT INWALL ACT E-SERIES
W440350G	HEATER 35K BTU EPDM HOSE W/ SHUTOFF DECAL
W443V50G	2ND 5/8 SHUTOFF VALVE W/ DECAL
W444SE0G	STEPWELL ELECTRIC PAD
W450B0FG	BATTERY MOUNT BOX
W456000G	BATTERY POWER DISTR (1) OEM UNDERHOOD BATT
W490400G	ELECTRICAL INTERFACE EP4 E-SERIES
W557TW0G	CABLINER WITH STORAGE THUMB LATCH VINYL THATCH WHITE <i>OVERHEAD STORAGE TO HAVE BOTTOM-HINGE WITH STRAP TO LIMIT IT'S MOVEMENT TO 90 DEGREES</i>
W604000G	SEAT BASE DRIVER OEM
W605000G	DRIVER SEAT OEM
W620DB0G	2 SEAT PASSENGER DOUBLE W/1 ICS TOD SEAT FREED
W620MA0G	4 SEAT PASSENGER MID BACK SINGLE 17.5 FREED
W660400G	PASS FABRIC LEVEL 4 EACH SEAT
W661400G	DRIVER FABRIC LEVEL 4
W670AU0G	6 ARMREST - U.S. EACH SEAT <i>ALL OR AISLE-ASK DEALER</i>
W670CR0G	2 CRS HOOKS 2 PER SEAT EACH
W670GB0G	7 AV GRAB HANDLE BLACK EACH SEAT
W670X10G	4 SEATBELT EXTENDER 12 IN EACH
W673P52G	SUBFLOOR PLWOOD 5/8 22 FT
W680US0G	8 SEAT BELT UNDER SEAT RETRACTABLE FREEDMAN
W708BY0G	STAN PKG DRV AND PASS MODESTY YELLOW (INCL LH ENTRY)
W709DS0G	DRIVER SHIELD 3/8 PLEX STAINLESS
W7108Y0G	HANDRAIL OVERHEAD 96 IN YELLOW
W711TW0G	ROOF HATCH TRANSPEC WHITE
W712RREG	MIRROR EXTERIOR HEATED REMOTE ROSCO E-SERIES
W713610G	MIRROR INTERIOR 6X16 REAR VIEW
W714BE0G	2 BLANKET EMERGENCY TRANSPORT
W714CB0G	CLEANUP BODY FLUID KIT

W714F20G	FIRST AID KIT 24 UNIT
W714LW0G	LENS WIDE ANGLE (REAR)
W714SC0G	SEATBELT CUTTER Q-STRNT
W714X50G	FIRE EXT REFLECTOR KIT 5#
W715L30G	LIGHT INTERIOR PACKAGE LED 3 DOME
W716110G	LIGHT EXTERIOR PKG LED WITH CENTER MOUNT BRAKE/REAR AMBER TURN/SIDE MARKER/
W717D10G	REAR DOOR AJAR BUZZER
W717PA3G	EXIT LOCATION LIGHT - ADD
W719B70G	BACKUP ASSIST CAMERA 7 IN MONITOR
W719RA0G	REVERSE ALARM
W720DF0G	DRIVER FAN
W720PR0G	PREWIRE IGN-BATT-GND RH DASH <i>FOR TWO WAY RADIO PREP</i>
W727SREG	RADIO AM/FM/USB/MP3 REI E-SERIES
W728560G	RADIO SPEAKERS 5 IN 6 EA
W733GS2G	FLOOR RUBBER GERFLOR SIRIUS 22 FT
W734RY3G	STEP NOSING RCA YELLOW 30IN WW
W735RY0G	STANDEE LINE RCA YELLOW 2 X 30
W738VW2G	HEADLINER VINYL THATCH WHITE 22 FT
W739VW2G	INTERIOR SIDEWALL VINYL THATCH WHITE 22 FT
W770LLEG	SPARE TIRE LOOSE E-SERIES DRW
W778LDEG	RUNNING BOARD LEFT SIDE DIAMOND PLATE E-SERIES
W790RFWG	MUD FLAPS REAR AND FRONT WHEELWELL FLOOR
W800D00G	WHEELCHAIR DOOR DOUBLE 48X72 ALUM
W8211B0G	WHEELCHAIR LIFT 34X54 1000 BRAUN NCL1000
W852LR0H	RESTRAINTS Q8100-A1 LTRACK REAR WALL REAR TO FRONT <i>EACH W/C SPACE SHALL HAVE AT LEAST 6: IN BETWEEN EACH SPACE</i>
W861SB0G	Q-STRAINT BELT STORAGE BAG
W862AD0G	DECALS ADA SPEC
W864LC0G	LIGHT LED CEILING MOUNT ABOVE LIFT
W865LS0G	LIGHT LED SKIRT MOUNT OVAL BELOW LIFT
W913000G	PAINT NO PAINT
W914ZP0G	RUSTPROOFING ZINC PHOSPHATE
W915760G	UNDERCOATING 76M

Additional Options Included:

Paratransit Package:

- 1 Set of Tire Chains
- 1 Set of Jumper Cables
- 1 Jack & Lug wrench

Security Camera System:

- 1 ANGEL TRAX HYBRID VAULT Camera System with 6 cameras
- 1 17" Monitor

ROHRER

School & Commercial Bus Sales

CLASS R

- HFC10B 2017 E350 FORD 138-6.8 V10-11500GVWR T/C
TO HAVE POWER WINDOWS AND LOCKS
- WTE2WW3G MODEL WT E-SERIES 22 FT WIDE WW 138WB
NARROW BODY
- SPO 01 OPTION 1220000P CUSTOM OVERALL ELEC WIRING SCHMTC, JUMP DRIVE EP4
ILO 11" X 17" LAMINATED SHEETS
- SPO 02 OPTION 770000CM UNDER BELLY, ALUMINUM
- SPO 05 OPTION 7169000P LIGHT, UNDERHOOD LED EP4
- SPO 06 OPTION 8117000V DOOR HOLDBACK, T-MOUNT
FOR REAR DOOR
- SPO 07 SRO 2608 TRANSPEC #7500 SAFETY AMBER LED CAUTION STOPPING TRAFFIC
SIGN
- SPO 08 OPTION 7172001H STEP LIGHT, LED DIALIGHT
- SPO 09 SRO 2258 DRIPRAIL INSTALLED OVER ALL EXTERIOR WINDOWS AND DOORS
- SPO 10 OPTION 7191000H STANCHION, PADDED YELLOW
COVERS ALL STANCHIONS
- SPO 11 SPO JUMPER CABLES
- SPO 12 2 SPO 2658 62" X 80" WOOL BLANKETS
- SPO 13 SPO 2599 SAFETY VEST
- SPO 14 OPTION 7650000J WHEEL CHOCK - MOLDED RUBBER
- SPO 15 OPTION 5561001F STORAGE BOX, BEHIND DRVR SEAT STD FLR
- SPO 16 SPO 7240000P SPEAKER, FORD DRIVER DOOR EP4
- SPO 17 8 SRO 2176 SUR-LOK - QUICK STRAP FE200750
- SPO 19 SPO STARS AND STRIPES PACKAGE WITH REFLECTIVE TAPE AROUND ALL
EGRESS WINDOWS.
- SPO 20 SPO 2660 MATCHING WHITE TOUCH UP PAINT
- SPO 22 OPTION 4300000G HOOD SCOOPS, WHITE VENT
- SPO 23 OPTION 9170000M DECALS, CUSTOM INTERIOR (QUOTE)
*EMERGENCY TELEPHONE NUMBERS: POLICE:, AMBULANCE:, FIRE:,
TRANSPORATATION SYSTEM:
EMERGENCY EQUIPMENT DECAL
WATCH YOUR STEP-BLACK LETTERS/YELLOW BACKGROUND #70851, NO
SMOKING #0028615, HEIGHT DECAL #0022423
ALL PASSENGERS MUST WEAR SEAT BELTS IS STANDARD, ALL PASSENGERS
MUST WEAR SEAT BELTS WHILE VEHICLE IS IN MOTION IS STANDARD*
- SPO 24 OPTION 9171000C DECALS, CUSTOM EXTERIOR VINYL GRAPHICS (QUOTE)
*ALL EXTERIOR DECALS MUST BE 4" LETTERING WHITE LETTERS ON RED
BACKGROUND
CAUTION: LOADING AND UNLOADING PASSENGERS
CAUTION: STAND CLEAR FOR LIFT OPERATIONS
THIS VEHICLE STOPS AT ALL RAILROAD CROSSINGS #0030617*

SPO 25 2 OPTION 6281200F SEAT, SINGLE ICS TOD SEAT
W192FA0G FRONT END ALIGN
INCLUDES CAM & CASTER KIT AND PROOF OF ALIGNMENT
W195DG0G DRIVESHAFT GUARD ADD
W198VE0G VALVE STEM EXTENSIONS
W210M13G SUSPENSION MOR-RYDE E350
W210S1EG SUSPENSION SPRING SPACER LFIT SIDE E-SERIES
W223R3EG EXHAUST RH REAR E-SERIES
W230NFEG INTERLOCK INPOWER W/FAST IDLE E-SERIES
W240000G BUMPER FRONT OEM ONLY
W242RHNG BUMPER REAR ROMEO RIM HELP NARROW
W303GW3G DOOR ENTRY GALV WHITE ELECTRIC 30 IN
EMERGENCY RELEASE IS STANDARD
W310DS3G DOOR ENTRY PANELS DOUBLE SILVER ALUM 30 IN
W331EK0G EXTERIOR KEY
W332BG3G BRUSH GUARD
W340D0NG REAR DOOR ONLY 38X60 NARROW
W350T200 WINDOW PACKAGE - TSLIDE - 22FT
*TRANSITION WINDOW - NEED TO SUBMIT DIMENSIONED DIAGRAM WITH BID
ONE CURBSIDE AND TWO STREET SIDE EMERGENCY EGRESS WINDOWS*
W41071EG A/C 70K TM16 SKIRT INWALL ACT E-SERIES
W440350G HEATER 35K BTU EPDM HOSE W/ SHUTOFF DECAL
W443V50G 2ND 5/8 SHUTOFF VALVE W/ DECAL
W444SE0G STEPWELL ELECTRIC PAD
W450B0FG BATTERY MOUNT BOX
W456000G BATTERY POWER DISTR (1) OEM UNDERHOOD BATT
W490400G ELECTRICAL INTERFACE EP4 E-SERIES
W557TW0G CABLINER WITH STORAGE THUMB LATCH VINYL THATCH WHITE
*OVERHEAD STORAGE TO HAVE BOTTOM-HINGE WITH STRAP TO LIMIT IT'S
MOVEMENT TO 90 DEGREES*
W604000G SEAT BASE DRIVER OEM
W605000G DRIVER SEAT OEM
W620GB0G 2 SEAT PASSENGER FOLDAWAY 3-STEP DOUBLE NOTCH FREED
W620MB0G SEAT PASSENGER MID BACK DOUBLE 35 FREED
W660400G PASS FABRIC LEVEL 4 EACH SEAT
W661400G DRIVER FABRIC LEVEL 4
W670AU0G 5 ARMREST - U.S. EACH SEAT
ALL OR AISLE-ASK DEALER
W670CR0G 2 CRS HOOKS 2 PER SEAT EACH
W670GB0G 6 AV GRAB HANDLE BLACK EACH SEAT
W670X10G 4 SEATBELT EXTENDER 12 IN EACH
W673P52G SUBFLOOR PLWOOD 5/8 22 FT
W680US0G 8 SEAT BELT UNDER SEAT RETRACTABLE FREEDMAN
W708BY0G STAN PKG DRV AND PASS MODESTY YELLOW (INCL LH ENTRY)
W709DS0G DRIVER SHIELD 3/8 PLEX STAINLESS
W7108Y0G HANDRAIL OVERHEAD 96 IN YELLOW
W711TW0G ROOF HATCH TRANSPEC WHITE
W712RREG MIRROR EXTERIOR HEATED REMOTE ROSCO E-SERIES
W713610G MIRROR INTERIOR 6X16 REAR VIEW
W714BE0G 2 BLANKET EMERGENCY TRANSPORT

W714CB0G	CLEANUP BODY FLUID KIT
W714F20G	FIRST AID KIT 24 UNIT
W714LW0G	LENS WIDE ANGLE (REAR)
W714SC0G	SEATBELT CUTTER Q-STRNT
W714X50G	FIRE EXT REFLECTOR KIT 5#
W715L30G	LIGHT INTERIOR PACKAGE LED 3 DOME
W716110G	LIGHT EXTERIOR PKG LED WITH CENTER MOUNT BRAKE/REAR AMBER TURN/SIDE MARKER/
W717D10G	REAR DOOR AJAR BUZZER
W717PA3G	EXIT LOCATION LIGHT - ADD
W719B70G	BACKUP ASSIST CAMERA 7 IN MONITOR
W719RA0G	REVERSE ALARM
W720DF0G	DRIVER FAN
W720PR0G	PREWIRE IGN-BATT-GND RH DASH <i>FOR TWO WAY RADIO PREP</i>
W727SREG	RADIO AM/FM/USB/MP3 REI E-SERIES
W728560G	RADIO SPEAKERS 5 IN 6 EA
W733GS2G	FLOOR RUBBER GERFLOR SIRIUS 22 FT
W734RY3G	STEP NOSING RCA YELLOW 30IN WW
W735RY0G	STANDEE LINE RCA YELLOW 2 X 30
W738VW2G	HEADLINER VINYL THATCH WHITE 22 FT
W739VW2G	INTERIOR SIDEWALL VINYL THATCH WHITE 22 FT
W770LLEG	SPARE TIRE LOOSE E-SERIES DRW
W778LDEG	RUNNING BOARD LEFT SIDE DIAMOND PLATE E-SERIES
W790RFWG	MUD FLAPS REAR AND FRONT WHEELWELL FLOOR
W800D00G	WHEELCHAIR DOOR DOUBLE 48X72 ALUM
W8211B0G	WHEELCHAIR LIFT 34X54 1000 BRAUN NCL1000
W852LR0H	RESTRAINTS Q8100-A1 LTRACK REAR WALL REAR TO FRONT <i>EACH W/C SPACE SHALL HAVE AT LEAST 6: IN BETWEEN EACH SPACE</i>
W852LS0H	WC RESTRAINTS Q8100-A1 LTRACK SIDE WALL; REAR TO FRONT
W861SB0G	2 Q-STRAINT BELT STORAGE BAG
W862AD0G	DECALS ADA SPEC
W864LC0G	LIGHT LED CEILING MOUNT ABOVE LIFT
W865LS0G	LIGHT LED SKIRT MOUNT OVAL BELOW LIFT
W913000G	PAINT NO PAINT
W914ZP0G	RUSTPROOFING ZINC PHOSPHATE
W915760G	UNDERCOATING 76M

Additional Options Included:

Paratransit Package:

- 1 Set of Tire Chains
- 1 Set of Jumper Cables
- 1 Jack & Lug wrench

Security Camera System:

- 1 ANGEL TRAX HYBRID VAULT Camera System with 6 cameras
- 1 17" Monitor

ROHRER

School & Commercial Bus Sales

CLASS S

HFC30B	2017 E350 FORD I58-6.8 V10-12500GVWR T/C <i>TO HAVE POWER WINDOWS AND LOCKS</i>
WTE4WW5G	MODEL WT E-SERIES 24 FT WIDE WW 158WB
SPO 01	OPTION 1220000P CUSTOM OVERALL ELEC WIRING SCHMTC, JUMP DRIVE EP4 <i>ILO 11" X 17" LAMINATED SHEETS</i>
SPO 02	OPTION 770000CM UNDER BELLY, ALUMINUM
SPO 05	OPTION 7169000P LIGHT, UNDERHOOD LED EP4
SPO 06	OPTION 8117000V DOOR HOLDBACK, T-MOUNT <i>FOR REAR DOOR</i>
SPO 07	SRO 2608 TRANSPEC #7500 SAFETY AMBER LED CAUTION STOPPING TRAFFIC SIGN
SPO 08	OPTION 7172001H STEP LIGHT, LED DIALIGHT
SPO 09	SRO 2258 DRIPRAIL INSTALLED OVER ALL EXTERIOR WINDOWS AND DOORS
SPO 10	OPTION 7191000H STANCHION, PADDED YELLOW <i>COVERS ALL STANCHIONS</i>
SPO 11	SPO JUMPER CABLES
SPO 12	2 SPO 2658 62" X 80" WOOL BLANKETS
SPO 13	SPO 2599 SAFETY VEST
SPO 14	OPTION 7650000J WHEEL CHOCK - MOLDED RUBBER
SPO 15	OPTION 5561001F STORAGE BOX, BEHIND DRVR SEAT STD FLR
SPO 16	SPO 7240000P SPEAKER, FORD DRIVER DOOR EP4
SPO 17	12 SRO 2176 SUR-LOK - QUICK STRAP FE200750
SPO 19	SPO STARS AND STRIPES PACKAGE WITH REFLECTIVE TAPE AROUND ALL EGRESS WINDOWS.
SPO 20	SPO 2660 MATCHING WHITE TOUCH UP PAINT
SPO 22	OPTION 4300000G HOOD SCOOPS, WHITE VENT
SPO 23	OPTION 9170000M DECALS, CUSTOM INTERIOR (QUOTE) <i>EMERGENCY TELEPHONE NUMBERS: POLICE:, AMBULANCE:, FIRE:, TRANSPORTATION SYSTEM: EMERGENCY EQUIPMENT DECAL WATCH YOUR STEP-BLACK LETTERS/YELLOW BACKGROUND #70851, NO SMOKING #0028615, HEIGHT DECAL #0022423 ALL PASSENGERS MUST WEAR SEAT BELTS IS STANDARD, ALL PASSENGERS MUST WEAR SEAT BELTS WHILE VEHICLE IS IN MOTION IS STANDARD</i>
SPO 24	OPTION 9171000C DECALS, CUSTOM EXTERIOR VINYL GRAPHICS (QUOTE) <i>CAUTION: STAND CLEAR FOR LIFT OPERATIONS ALL EXTERIOR DECALS MUST BE 4" LETTERING WHITE LETTERS ON RED BACKGROUND THIS VEHICLE STOPS AT ALL RAILROAD CROSSINGS #0030617 CAUTION: LOADING AND UNLOADING PASSENGERS</i>
SPO 25	2 OPTION 6281200F SEAT, SINGLE ICS TOD SEAT

W192FA0G	FRONT END ALIGN <i>INCLUDES CAM & CASTER KIT AND PROOF OF ALIGNMENT</i>
W195DG0G	DRIVESHAFT GUARD ADD
W198VE0G	VALVE STEM EXTENSIONS
W210M13G	SUSPENSION MOR-RYDE E350
W210S1EG	SUSPENSION SPRING SPACER LFIT SIDE E-SERIES
W223R3EG	EXHAUST RH REAR E-SERIES
W230NFEG	INTERLOCK INPOWER W/FAST IDLE E-SERIES
W240000G	BUMPER FRONT OEM ONLY
W242RHNG	BUMPER REAR ROMEO RIM HELP NARROW
W303GW3G	DOOR ENTRY GALV WHITE ELECTRIC 30 IN <i>EMERGENCY RELEASE IS STANDARD</i>
W310DS3G	DOOR ENTRY PANELS DOUBLE SILVER ALUM 30 IN
W331EK0G	EXTERIOR KEY
W332BG3G	BRUSH GUARD
W340D0NG	REAR DOOR ONLY 38X60 NARROW
W350T400	WINDOW PACKAGE - TSLIDE - 24FT <i>ONE CURBSIDE AND TWO STREET SIDE EMERGENCY EGRESS WINDOWS</i>
W41071EG	A/C 70K TM16 SKIRT INWALL ACT E-SERIES
W440350G	HEATER 35K BTU EPDM HOSE W/ SHUTOFF DECAL
W443V50G	2ND 5/8 SHUTOFF VALVE W/DECAL
W444SE0G	STEPWELL ELECTRIC PAD
W450B0FG	BATTERY MOUNT BOX
W456000G	BATTERY POWER DISTR (1) OEM UNDERHOOD BATT
W490400G	ELECTRICAL INTERFACE EP4 E-SERIES
W557TW0G	CABLINER WITH STORAGE THUMB LATCH VINYL THATCH WHITE <i>OVERHEAD STORAGE TO HAVE BOTTOM-HINGE WITH STRAP TO LIMIT IT'S MOVEMENT TO 90 DEGREES</i>
W604000G	SEAT BASE DRIVER OEM
W605000G	DRIVER SEAT OEM
W620GB0G	4 SEAT PASSENGER FOLDAWAY 3-STEP DOUBLE NOTCH FREED
W660400G	PASS FABRIC LEVEL 4 EACH SEAT
W661400G	DRIVER FABRIC LEVEL 4
W670AU0G	6 ARMREST - U.S. EACH SEAT <i>ALL OR AISLE-ASK DEALER</i>
W670CR0G	2 CRS HOOKS 2 PER SEAT EACH
W670GB0G	7 AV GRAB HANDLE BLACK EACH SEAT
W670X10G	4 SEATBELT EXTENDER 12 IN EACH
W673P54G	SUBFLOOR PLWOOD 5/8 24 FT
W680US0G	8 SEAT BELT UNDER SEAT RETRACTABLE FREEDMAN
W708BY0G	STAN PKG DRV AND PASS MODESTY YELLOW (INCL LH ENTRY)
W709DS0G	DRIVER SHIELD 3/8 PLEX STAINLESS
W7108Y0G	HANDRAIL OVERHEAD 96 IN YELLOW
W711TW0G	ROOF HATCH TRANSPEC WHITE
W712RREG	MIRROR EXTERIOR HEATED REMOTE ROSCO E-SERIES
W713610G	MIRROR INTERIOR 6X16 REAR VIEW
W714BE0G	2 BLANKET EMERGENCY TRANSPORT
W714CB0G	CLEANUP BODY FLUID KIT
W714F20G	FIRST AID KIT 24 UNIT
W714LW0G	LENS WIDE ANGLE (REAR)

W714SC0G	SEATBELT CUTTER Q-STRNT
W714X50G	FIRE EXT REFLECTOR KIT 5#
W715L30G	LIGHT INTERIOR PACKAGE LED 3 DOME
W716110G	LIGHT EXTERIOR PKG LED WITH CENTER MOUNT BRAKE/REAR AMBER TURN/SIDE MARKER/
W717D10G	REAR DOOR AJAR BUZZER
W717PA3G	EXIT LOCATION LIGHT - ADD
W719B70G	BACKUP ASSIST CAMERA 7 IN MONITOR
W719RA0G	REVERSE ALARM
W720DF0G	DRIVER FAN
W720PR0G	PREWIRE IGN-BATT-GND RH DASH <i>FOR TWO WAY RADIO PREP</i>
W727SREG	RADIO AM/FM/USB/MP3 REI E-SERIES
W728560G	RADIO SPEAKERS 5 IN 6 EA
W733GS4G	FLOOR RUBBER GERFLOR SIRIUS 24 FT
W734RY3G	STEP NOSING RCA YELLOW 30IN WW
W735RY0G	STANDEE LINE RCA YELLOW 2 X 30
W738VW4G	HEADLINER VINYL THATCH WHITE 24 FT
W739VW4G	INTERIOR SIDEWALL VINYL THATCH WHITE 24 FT
W770LLEG	SPARE TIRE LOOSE E-SERIES DRW
W778LDEG	RUNNING BOARD LEFT SIDE DIAMOND PLATE E-SERIES
W790RFWG	MUD FLAPS REAR AND FRONT WHEELWELL FLOOR
W800D00G	WHEELCHAIR DOOR DOUBLE 48X72 ALUM
W8211B0G	WHEELCHAIR LIFT 34X54 1000 BRAUN NCL1000
W852LR0H	RESTRAINTS Q8100-A1 LTRACK REAR WALL REAR TO FRONT <i>EACH W/C SPACE SHALL HAVE AT LEAST 6: IN BETWEEN EACH SPACE</i>
W852LS0H	2 WC RESTRAINTS Q8100-A1 LTRACK SIDE WALL; REAR TO FRONT
W861SB0G	3 Q-STRAINT BELT STORAGE BAG
W862AD0G	DECALS ADA SPEC
W864LC0G	LIGHT LED CEILING MOUNT ABOVE LIFT
W865LS0G	LIGHT LED SKIRT MOUNT OVAL BELOW LIFT
W913000G	PAINT NO PAINT
W914ZP0G	RUSTPROOFING ZINC PHOSPHATE
W915760G	UNDERCOATING 76M

Additional Options Included:

Paratransit Package:

- 1 Set of Tire Chains
- 1 Set of Jumper Cables
- 1 Jack & Lug wrench

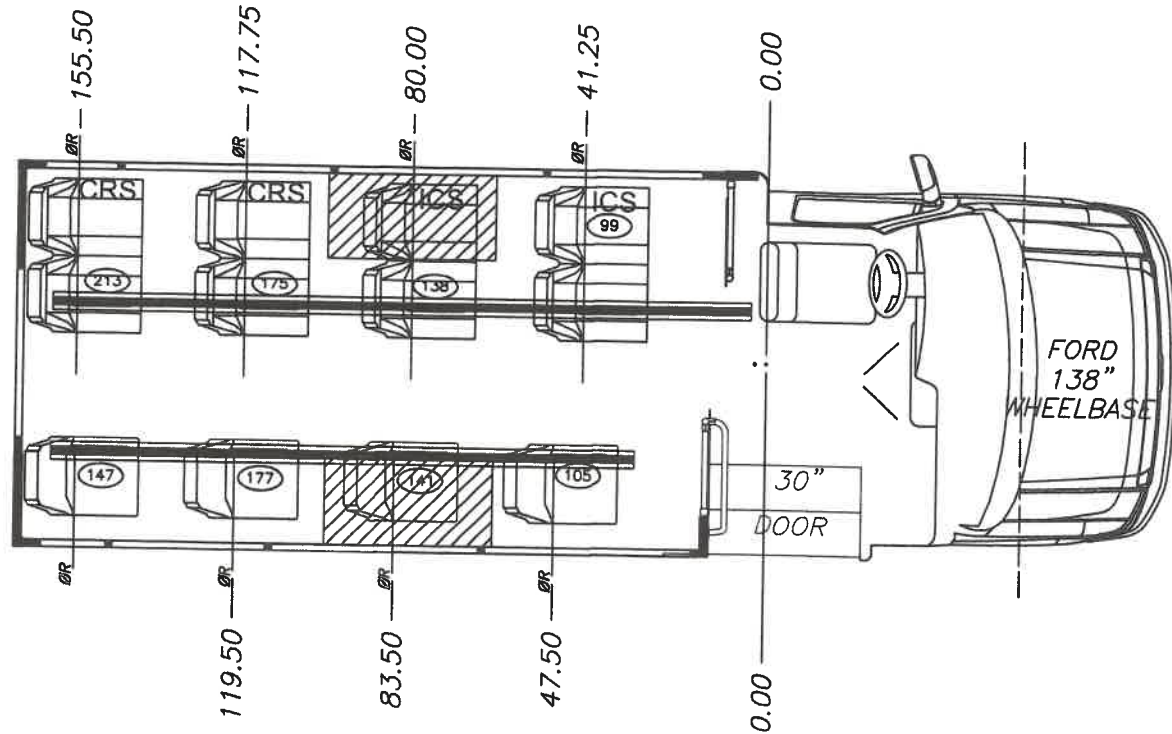
Security Camera System:

- 1 ANGEL TRAX HYBRID VAULT Camera System with 6 cameras
- 1 17" Monitor

LEGEND

(95) = C/L FRONT AXLE TO PASS C.G.

REAR DOOR
38 X 60



DEALER APPROVAL

APPROVED

X _____
CUSTOMER SIGNATURE



1655 WALL STREET
SALINA, KS. 67401

DO NOT SCALE DRAWING

DRAWING INFORMATION

THIS DRAWING IS THE PROPERTY OF ELDORADO, A REV GROUP COMPANY, AND IS NOT TO BE DUPLICATED OR USED IN ANY WAY DETRIMENTAL TO THEIR BEST INTEREST.

DRAWN: MILLER CKD:
DATE: 5/1/17 SIZE: A
SCALE: 1/42 WGT:

REV. 02/16

TOLERANCE UNLESS SPECIFIED

SEAT SPACING ± .25 (SEAT SPACING NOT TO BE LESS THAN 28.5")

RESTRAINTS ± .25 (W/C POSITIONS NOT TO BE SMALLER THAN 30 X 48)

REV.	BY	DATE	DESCRIPTION
-	JPM	5/1/17	RELEASE TO PRODUCTION

TITLE:
WORLD TRANS 22
30" ENTRY DOOR

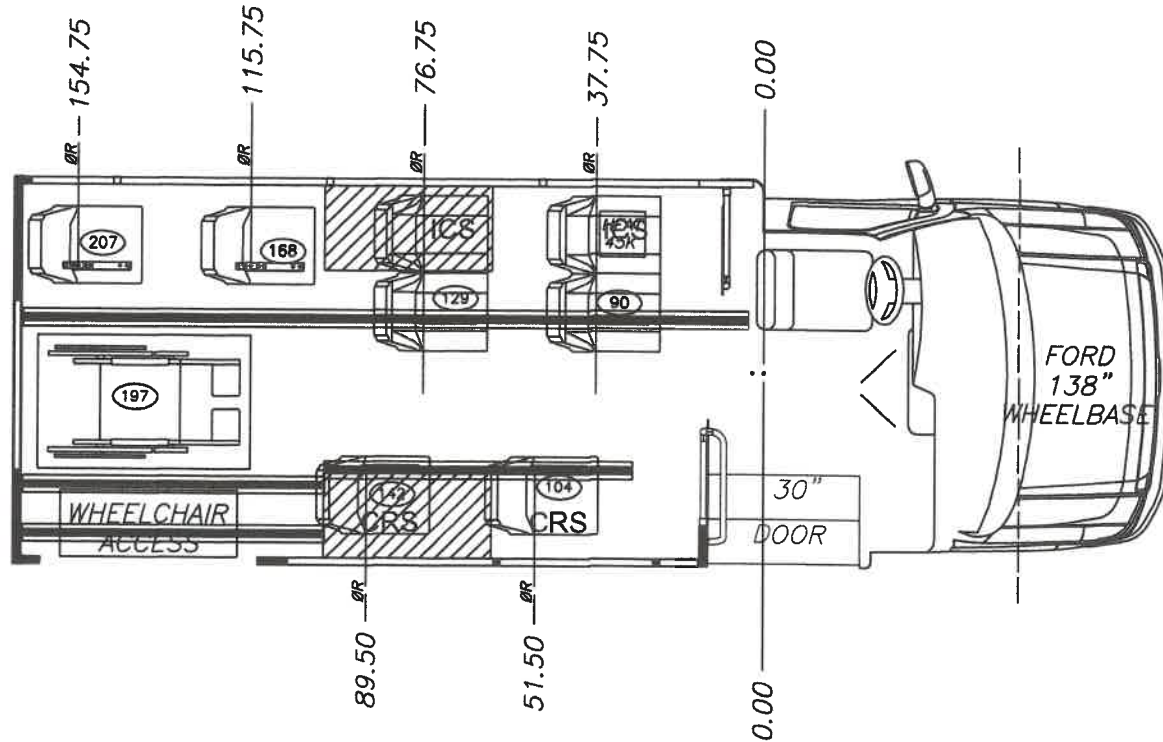
UNIT NUMBER
E3N22S30NL-NK02

PAGE
1 of 1

LEGEND

95 = C/L FRONT AXLE TO PASS C.G.

REAR DOOR
38 X 60



DEALER APPROVAL

APPROVED

X
CUSTOMER SIGNATURE



1655 WALL STREET
SALINA, KS. 67401

DO NOT SCALE DRAWING

DRAWING INFORMATION

THIS DRAWING IS THE PROPERTY OF ELDORADO, A REV GROUP COMPANY, AND IS NOT TO BE DUPLICATED OR USED IN ANY WAY DETRIMENTAL TO THEIR BEST INTEREST.

DRAWN: MILLER CKD:
DATE: 5/1/17 SIZE: A
SCALE: 1/42 WGT:

REV. 02/16

TOLERANCE UNLESS SPECIFIED

SEAT SPACING ± .25 (SEAT SPACING NOT TO BE LESS THAN 28.5")

RESTRAINTS ± .25 (W/C POSITIONS NOT TO BE SMALLER THAN 30 X 48)

REV.	BY	DATE
-	JPM	5/1/17

RELEASE TO PRODUCTION

DESCRIPTION

TITLE:
WORLD TRANS 22
30" ENTRY DOOR / WC DOOR(REAR)

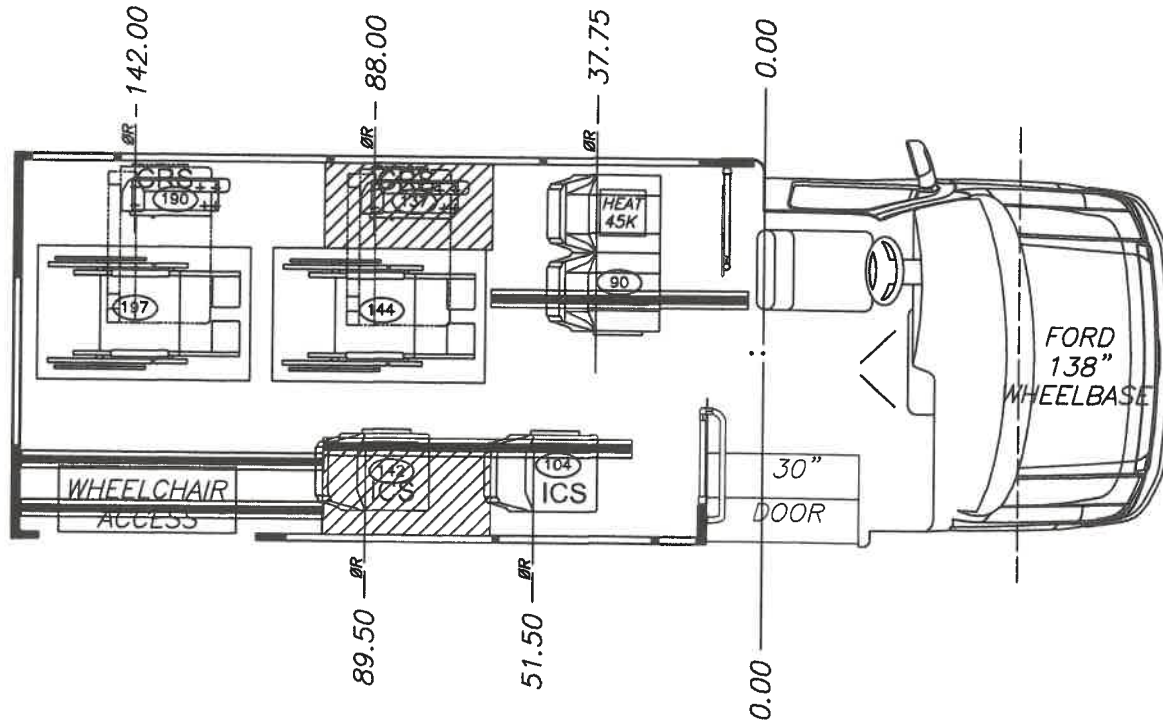
UNIT NUMBER
E3N22S30RL-NK01

PAGE
1 OF 1

LEGEND

(95) = C/L FRONT AXLE TO PASS C.G.

REAR DOOR
38 X 60



DEALER APPROVAL

APPROVED

X

CUSTOMER SIGNATURE



1655 WALL STREET
SALINA, KS. 67401

TITLE:
WORLD TRANS 22
30" ENTRY DOOR / WC DOOR(REAR)

UNIT NUMBER
E3N22S30RL-NK02

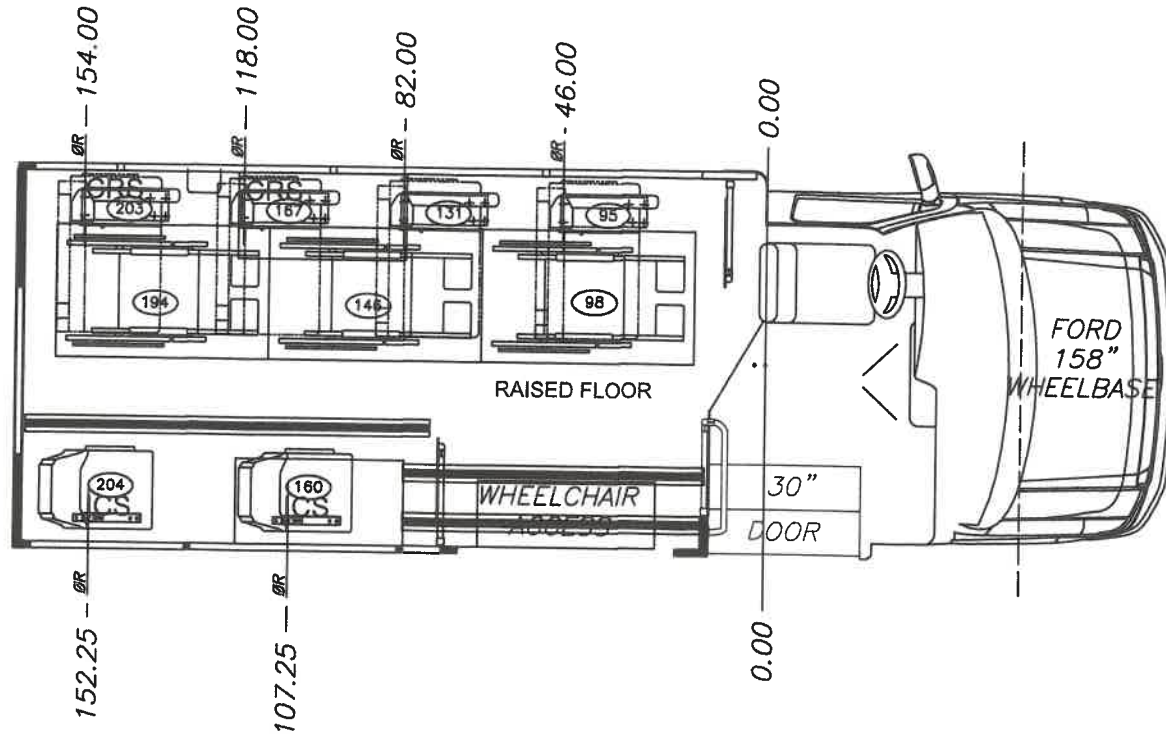
PAGE
1 of 1

DO NOT SCALE DRAWING	DRAWING INFORMATION			
THIS DRAWING IS THE PROPERTY OF EL Dorado, A REV GROUP COMPANY, AND IS NOT TO BE DUPLICATED OR USED IN ANY WAY DETRIMENTAL TO THEIR BEST INTEREST. REV. 02/16	DRAWN: MILLER	CKD:		
	DATE: 5/1/17	SIZE: A		
	SCALE: 1/42	WGT:		
TOLERANCE UNLESS SPECIFIED				
SEAT SPACING ± .25 (SEAT SPACING NOT TO BE LESS THAN 28.5")	-	JPM	5/1/17	RELEASE TO PRODUCTION
RESTRAINTS ± .25 (W/C POSITIONS NOT TO BE SMALLER THAN 30 X 48)	REV.	BY	DATE	DESCRIPTION

LEGEND

Ⓞ95 = C/L FRONT AXLE TO PASS C.G.

REAR DOOR
38 X 60



DEALER APPROVAL

APPROVED

X
CUSTOMER SIGNATURE



1655 WALL STREET
SALINA, KS. 67401

DO NOT SCALE DRAWING

DRAWING INFORMATION

THIS DRAWING IS THE PROPERTY OF ELDORADO, A REV GROUP COMPANY, AND IS NOT TO BE DUPLICATED OR USED IN ANY WAY DETRIMENTAL TO THEIR BEST INTEREST.

DRAWN: MILLER CKD:
DATE: 5/1/17 SIZE: A
SCALE: 1/42 WGT:

TITLE:
WORLD TRANS 22' (NARROW)
30" ENTRY DOOR / WC DOOR (FRONT)

TOLERANCE UNLESS SPECIFIED

SEAT SPACING ± .25 (SEAT SPACING NOT TO BE LESS THAN 28.5")

RESTRAINTS ± .25 (W/C POSITIONS NOT TO BE SMALLER THAN 30 X 48)

REV.	BY	DATE	DESCRIPTION
-	JPM	5/1/17	RELEASE TO PRODUCTION

UNIT NUMBER
E5N22S30FL-NK01

PAGE
1 OF 1

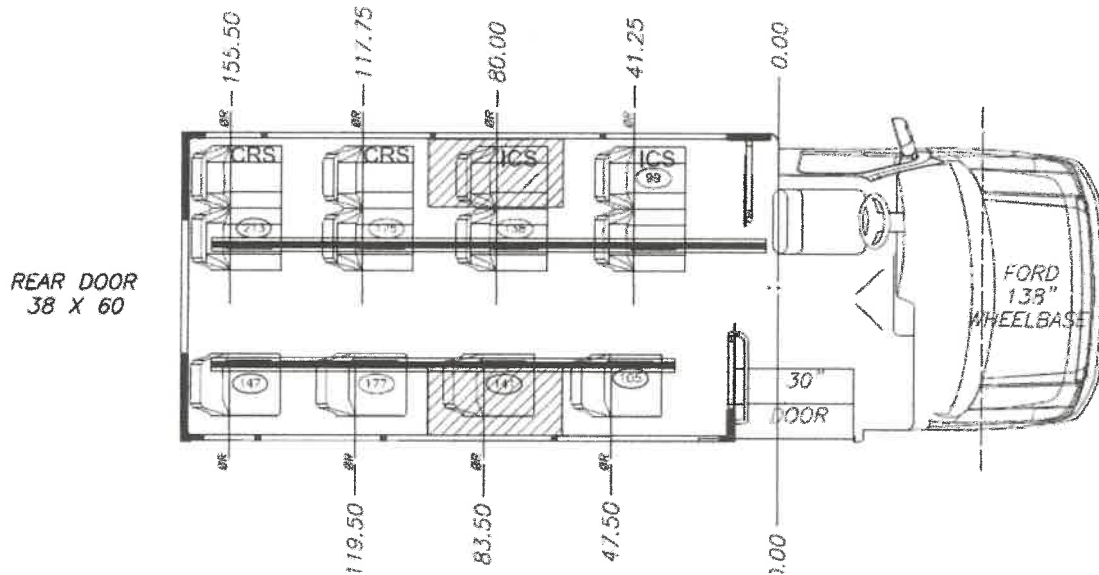


WORLD TRANS

REV GROUP

WV PTR170000005

ALL PASSENGER



New weights	3006	6950	9956
Gross Weight Rating	4600	7800	11500
Difference	1594	850	1544

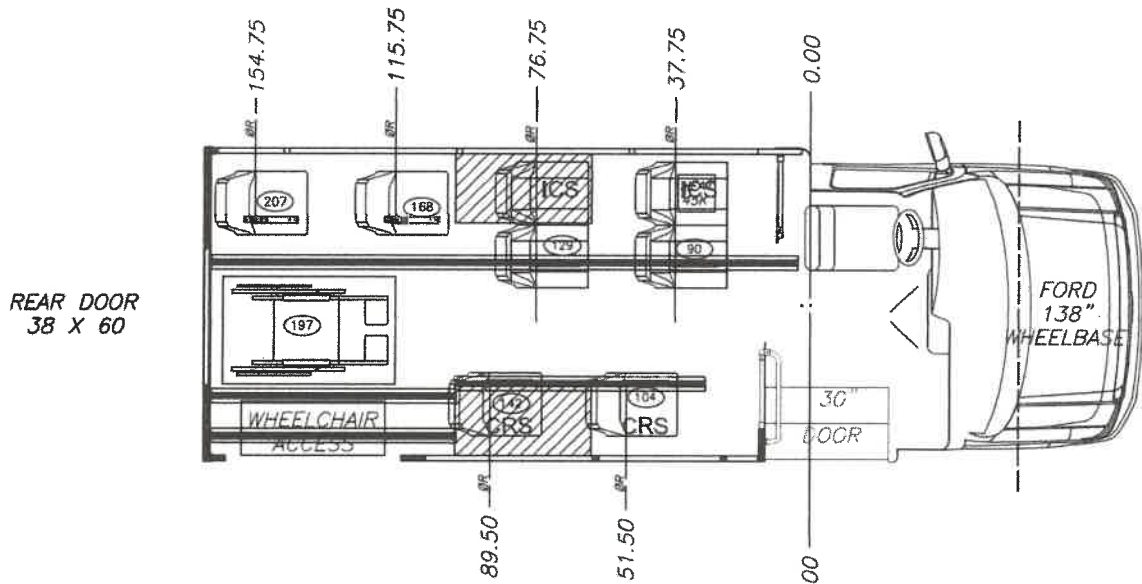


WORLD TRANS

REV GROUP

WV PTR1700000005

1 Wheel Chair Position



New weights	3131	7485	10616
Gross Weight Rating	4600	7800	11500
Difference	1469	315	884

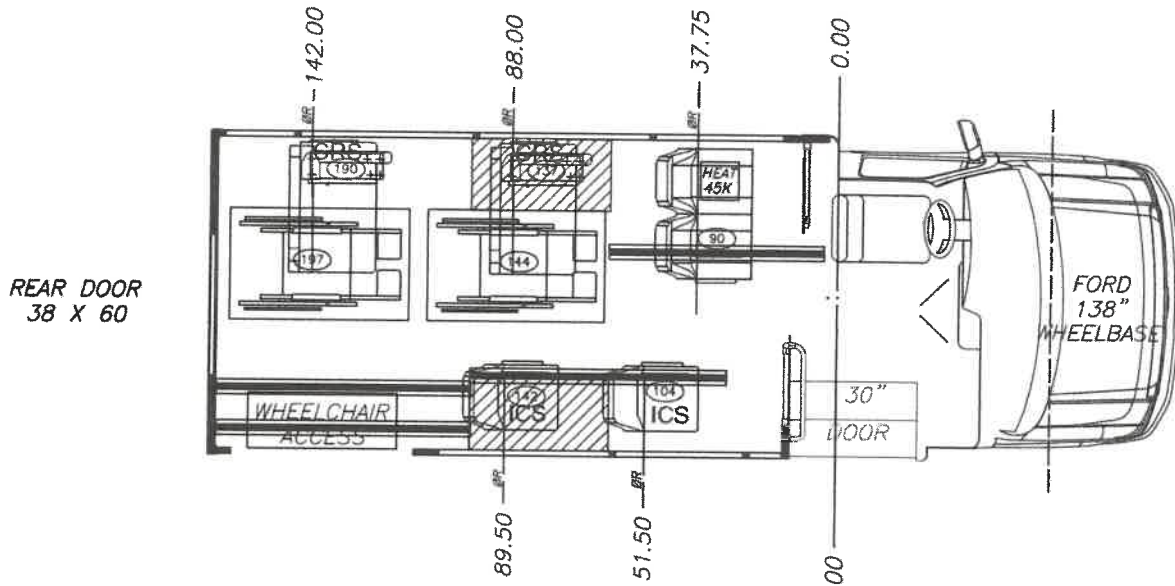


WORLD TRANS

REV GROUP

WV PTR1700000005

2 Wheel Chair Position



New weights	3191	7250	10441
Gross Weight Rating	4600	7800	11500
Difference	1409	550	1059

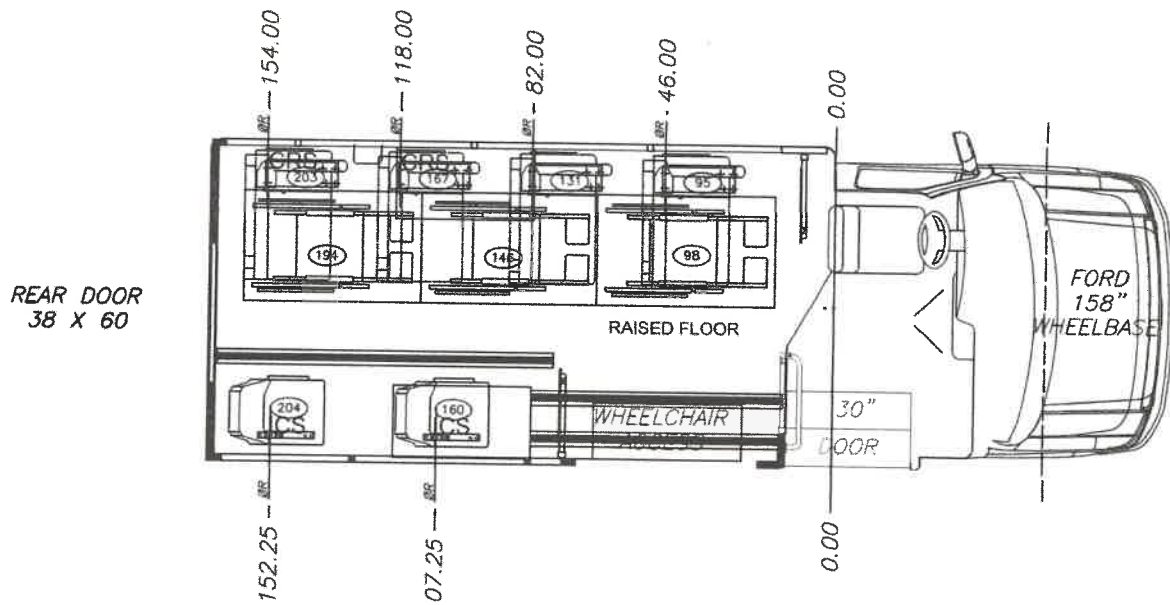


WORLD TRANS

REV GROUP

WV PTR1700000005

3 Wheel Chair Position



New weights	3452	7404	10856
Gross Weight Rating	5000	8500	12500
Difference	1548	1096	1644

HIGH PERFORMANCE OPAQUE SERIES

Avery Gra
Our versat

A8 Opaque

The proven high-performance industry standard for durability and workability. 90 colors to choose from.

DURABILITY: 8-years
CONFORMABILITY: rivets/corrugations, compound curves
PRINTABILITY: CAS, thermal transfer
ADHESIVE: permanent solvent
GLOSS: 90
TYPE: cast vinyl

NEW
EZ indicates that color is also available with EZ-Apply™ technology.
Please visit www.signage.averygraphics.com for more information.

A9 Op

Simulations o
Avery Graphic
this film very
50-yard rolls.

White A8001-O EZ	Imitation Gold A8250-O	Warm Red A8305-O	Periwinkle A8510-O	Aquamarine A8633-O
Matte White A8002-O	Parchment A8205-O	Tomato Red A8325-O EZ	Copenhagen A8505-O	Real Teal A8615-O
Clear A8003-O	Almond A8210-O	Fire Red A8345-O	Dark Navy Blue A8597-O	Dark Aqua A8605-O
Matte Clear A8004-O	Beige A8220-O	Cardinal Red A8330-O EZ	Dark Blue A8595-O	Seafoam Green A8603-O
Light Gray A8010-O	Dark Beige A8230-O	Dark Red A8350-O	Light Navy A8590-O	Spectra Everglade A8610-O
Palm Oyster A8020-C	Sandstone A8265-O	Apple Red A8365-O	Shadow Blue A8520-O	Spruce Green A8640-O
Light Ash Gray A8025-O	Buckskin A8270-O	Spectra Red A8360-O	Majestic Blue A8525-O	Teal A8620-O
Slate Gray A8030-O	Camel A8240-O	Burgundy A8370-O EZ	Interstate Blue A8575-O	Dark Teal A8630-O
Medium Gray A8035-O	Putty A8235-O	Burgundy Maroon A8380-O	Sapphire Blue A8580-O EZ	Nautical Blue A8635-O
Pepper A8050-O	Butter A8105-O	Coral A8405-O	Vivid Blue A8570-O EZ	Dark Ivy A8650-O
Dark Charcoal A8055-O	Canary Yellow A8120-O EZ	Light Magenta A8410-O	Intense Blue A8565-O	Vibrant Green A8655-O
Medium Marine A8060-O	Medium Yellow A8130-O	Blossom A8415-O	Medium Blue A8555-O	Apple Green A8660-O
Battle Gray A8070-O	Sunflower A8140-O	Magenta A8430-O	Olympic Blue A8530-O EZ	Kelly Green A8670-O
Matte Black A8080-O	Dark Yellow A8150-O	Raspberry A8435-O	Light Blue A8540-O	Bright Green A8675-O
Black A8090-O	Apricot A8155-O	Plum A8440-O	Peacock Blue A8545-O	Forest Green A8685-O EZ
Black A8100-O	Orange A8160-O	Deep Purple A8450-O	Powder Blue A8550-O	Deep Green A8690-O
Dark Brown A8110-O	Bright Orange A8180-O	Purple A8465-O	Butterfly Blue A8552-O	Dark Green A8693-O
Dark Red A8120-O	Tangerine A8315-O	Lavender A8475-O	Cadet Blue A8515-O	Polo Green A8695-O



GRAPH

Avery Graphics high performance opaque films are now available at one new, low everyday price in 140 colors. Satellite cast films are the industry standard and our 20 years of experience mean quality and service you can count on.

A9 Opaque PANTONE® Colors

Simulations of PANTONE's most specified opaque colors. Avery Graphics Place-Rite™ repositionable adhesive makes this film very easy to apply. Available in splice-free 10- and 50-yard rolls.

DURABILITY: up to 9-years
CONFORMABILITY: rivets/corrugations, compound curves
PRINTABILITY: CAS, thermal transfer
ADHESIVE: white pigmented Place-Rite™ repositionable adhesive
GLOSS: 90
TYPE: cast vinyl

**A9 OPAQUE NOW
 THE SAME PRICE
 AS A8 OPAQUE**

NEW White PANTONE® A9001-0 ■ +	Dandelion PANTONE® 123 C A9117-0 ■ +	PANTONE® Process Cyan C A9583-0 ■ +
PANTONE® Warm Gray 1 C A9021-0 ■	Sunshine PANTONE® 116 C A9114-0 ■ *	Blue Jay PANTONE® 299 C A9577-0 ■ +
PANTONE® Warm Gray 2 C A9022-0 ■	PANTONE® Orange 021 C A9169-0 ■ *	Wave Blue PANTONE® 285 C A9526-0 ■ +
PANTONE® Cool Gray 1 C A9061-0 ■	PANTONE® Warm Red C A9323-0 ■ *	Tropical Blue PANTONE® 279 C A9503-0 ■ +
PANTONE® Cool Gray 4 C A9064-0 ■	Firecracker PANTONE® 485 C A9321-0 ■ *	Bayshore PANTONE® 292 C A9557-0 ■ +
PANTONE® Cool Gray 5 C A9066-0 ■	NEW Holiday Red PANTONE® 1797 C A9305-0 ■ +	Lakeview PANTONE® 297 C A9576-0 ■ +
Winter Sky PANTONE® 427 C A9011-0 ■	PANTONE® Red 032 C A9306-0 ■ *	Baby Blue PANTONE® 277 C A9502-0 ■ +
Granite PANTONE® 429 C A9012-0 ■	Salsa PANTONE® 185 C A9307-0 ■ *	Pale Blue PANTONE® 290 C A9556-0 ■ +
Silver Shimmer PANTONE® 877 C A9069-0 ■ *	NEW Cranberry PANTONE® 194 C A9335-0 ■ +	Wildflower PANTONE® 304 C A9581-0 ■ +
PANTONE® Process Black C A9081-0 ■	PANTONE® Rubine Red C A9347-0 ■ *	Aqua PANTONE® 333 C A9616-0 ■ +
Dark Taupe PANTONE® 466 C A9252-0 ■ +	PANTONE® Process Magenta C A9411-0 ■ *	PANTONE® Green C A9642-0 ■ +
Navajo Beige PANTONE® 468 C A9255-0 ■ +	PANTONE® Violet C A9413-0 ■ *	Jungle Green PANTONE® 375 C A9634-0 ■ +
Vanilla PANTONE® 155 C A9251-0 ■ +	PANTONE® Reflex Blue C A9579-0 ■ +	Clover Green PANTONE® 354 C A9626-0 ■ +
Pastel Yellow PANTONE® 100 C A9112-0 ■ *	PANTONE® Blue 072 C A9501-0 ■ +	Fern Green PANTONE® 347 C A9617-0 ■ +
PANTONE® Process Yellow C A9106-0 ■ *	Midnight Blue PANTONE® 286 C A9528-0 ■ +	
PANTONE® Yellow C A9107-0 ■ *	Slate Blue PANTONE® 293 C A9559-0 ■ +	
PANTONE® Yellow 012 C A9111-0 ■ *	Peacock PANTONE® 300 C A9578-0 ■ +	

Within the boundaries of simulating Pantone's bright high chroma colors, A9 Opaque PANTONE Colors have been formulated for maximum opacity. Slight color changes may result from applying over very dark substrates.

Certain PANTONE-identified colors may vary from the PANTONE Color Standards due to end-use technical specifications or limitations in the color capability of this material. The displayed colors are simulations of the identified PANTONE Colors. Refer to current PANTONE MATCHING SYSTEM® Publications to view PANTONE Color Standards. PANTONE® and other Pantone, Inc. trademarks are the property of Pantone, Inc. Portions

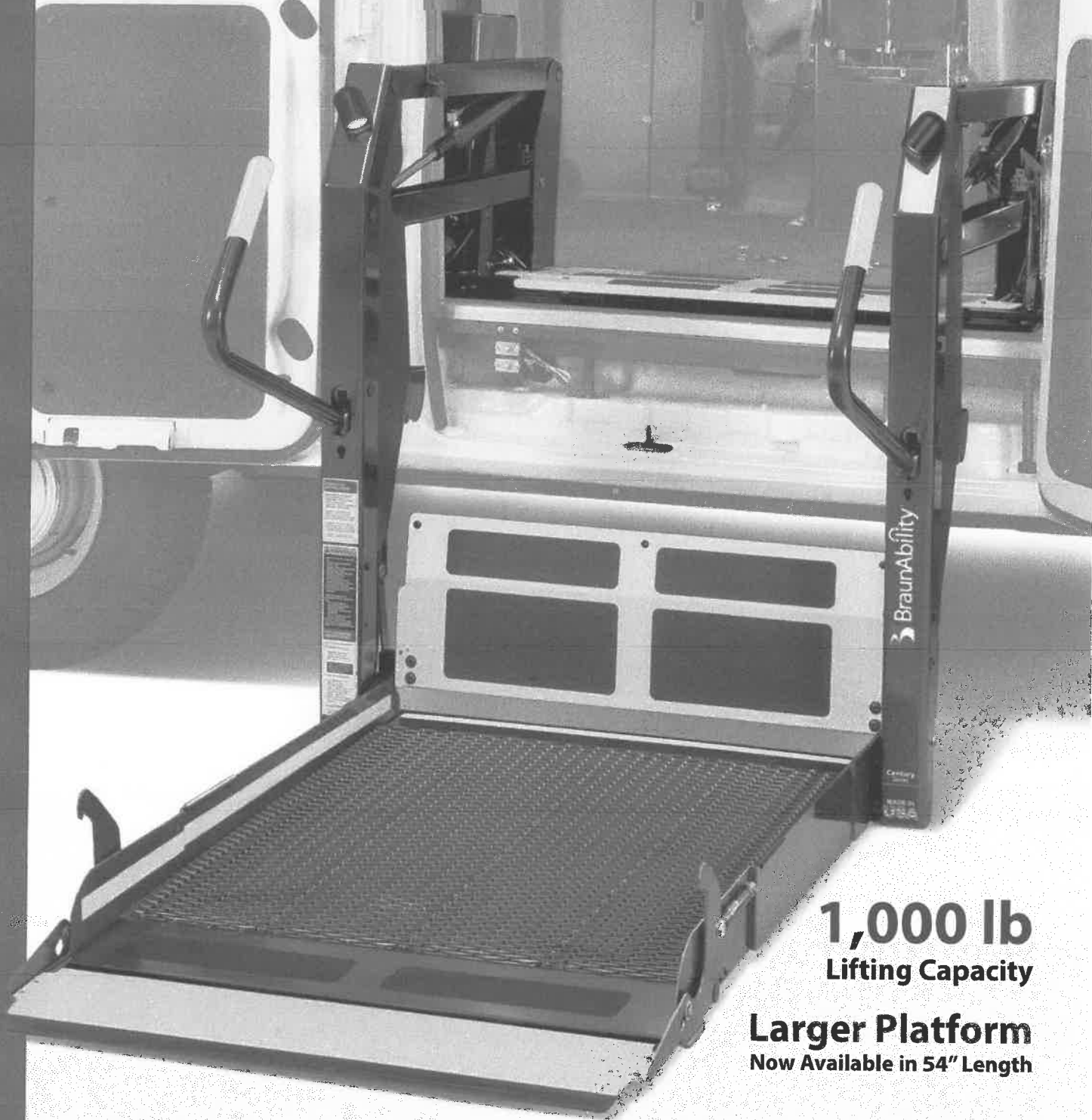


HIGH PERFORMANCE OPAQUE FILMS

METALLIC SPECIALTY & DIGITAL FILMS

NCL1000-2 Century Series™

Commercial Wheelchair Lifts



1,000 lb
Lifting Capacity

Larger Platform
Now Available in 54" Length



BraunAbility®

Life is a Moving Experience®

NCL1000-2 Century Series

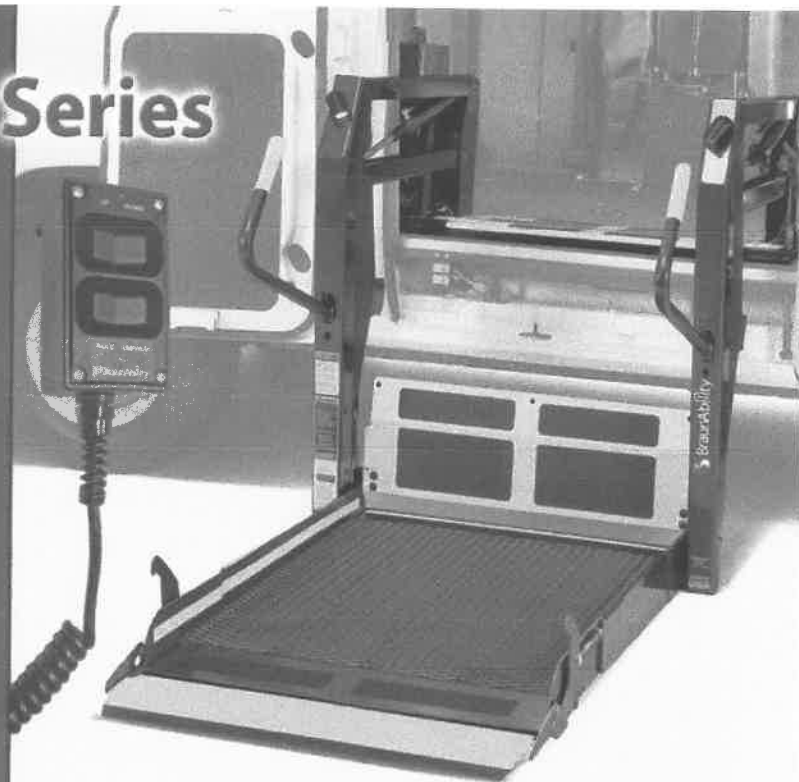
- NCL1000IB3351-2** (33" wide x 51" long platform)
- NCL1000IB3451-2** (34" wide x 51" long platform)
- NCL1000IB3451HB-2** (34" wide x 51" long platform - with handrail belt)
- NCL1000IB3454-2** (34" wide x 54" long platform)
- NCL1000IB3454HB-2** (34" wide x 54" long platform - with handrail belt)

Rear pump models listed - all models also available in front pump configuration

- 1,000 lb lifting capacity
- Fully automatic FMVSS 403 compliant lift, operated by an attendant
- Loading position - either direction
- Interfaces with OEM interlocks
- Long lasting LED lift mounted lights that are active when vehicle interlocks are engaged and lift power switch is on
- Hand-held control box with illuminated functions
- Locking mechanical Inboard Barrier (IB), powder coated yellow for safety and high visibility, prevents operation if occupied
- Pump design prevents platform folding when occupied, quiet operation & low current draw
- Durable redesigned baseplate reduces lift weight and allows for quicker and easier service of hose/wiring
- Easily installed, step-by-step installation instructions, no peripheral hardware required
- Platform movement prevented during unsafe operation
- Gas spring activated outer barrier detects roll stop occupancy as the platform leaves the ground, complete with durable rubber nose guard
- Transition areas marked with durable high-gloss yellow powder coating for safety & visibility
- Side or rear door application
- Dual handrails for security and convenience
- Bridging feature permits the wheelchair user to board the lift from sidewalks or inclines
- Floor to ground travel is 48"
- Integrated back-up pump
- Equipped with an adjustable anti-rattle feature to avoid unpleasant noise in the vehicle during transit
- Durable high-gloss powder coated finish
- Lift-Tite system stows the lift platform securely while the vehicle is in transit
- Pump module with removable cover offers easy access to all components

**MADE IN
USA**

All illustrations, descriptions and specifications in this brochure are based on the latest product information at the time of publication. BraunAbility reserves the right to make changes at any time without notice. © 2016 BraunAbility 400636



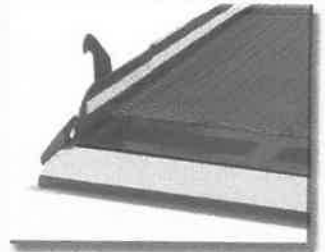
Integrated dual handrails provide added security for wheelchair users and standees



Visual and audible warnings alert both passengers and attendants to unsafe conditions



Gas spring activated outer barrier detects roll stop occupancy as the platform leaves the ground



BraunAbility

Life is a Moving Experience®

631 West 11th Street • Winamac, IN 46996

(574) 946-6153 • 1-800-THE-LIFT

www.braunability.com/commercial



BUY AMERICA PROGRAM

STEEL & MANUFACTURED PRODUCTS – ADDITIONAL CERTIFICATION

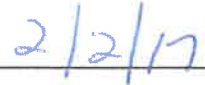
In accordance with Section 165 of the Surface Transportation Act of 1982, PL 97-424, January 6, 1983, as amended, World Trans agrees that all steel, cement and manufactured products utilized on this FTA assisted project must be produced in the United States. Exceptions to the above may only be granted upon a Secretarial determination:

1. That their application would be inconsistent with the public interest;
2. That such materials and products are not produced in the United States in sufficient and reasonably available quantities and of a satisfactory quality;
3. In the case of the procurement of bus and other rolling stock (including train control, communication and traction power equipment) under the Federal Mass Transportation Act of 1964, that (a) the cost of components which are produced in the United States is more than 50% of the cost of all components of the vehicle or equipment described in this paragraph, and (b) final assembly of the vehicle or equipment described in this paragraph has taken place in the United States;
4. That inclusion of domestic material will increase the cost of the overall project contract by more than 10% in the case of projects for the acquisition of rolling stock, and 25% in the case of all other projects.

The Manufacturer hereby certifies that with the exception of items listed above, steel and manufactured products to be incorporated into this project have been produced in the United States.



Amy McCall
World Trans Brand Manager



Date



ALTOONA BUS TESTING CERTIFICATION

World Trans, hereby certifies that the vehicle(s) being offered for sale have been fully tested as a "family of vehicles" for a minimum service life of seven (7) years or 200,000 miles at the Altoona Bus Testing Center as required by the Surface Transportation and Uniform Relocation assistance Act of 1987 and in accordance with CFR 49, Part 665, as amended.

Amy McCall
Amy McCall
World Trans Brand Manager

2/2/17
Date



BUS MANUFACTURER'S CERTIFICATION

World Trans, hereby certifies that the vehicle(s) offered in this bid has been designed, manufactured, assembled and tested for transit purposes and is suitable for extended service in heavy stop-and-go traffic.



Amy McCall
World Trans Brand Manager



Date



**CERTIFICATION OF COMPLIANCE
WITH THE CLEAN AIR ACT**

World Trans, agrees to comply with all applicable standards, orders or regulations issued pursuant to the Clean Air Act, as amended, 42 U.S.C. §§ 7401 et seq. World Trans agrees to report each violation to the Purchaser and understands and agrees that the Purchaser will, in turn, report each violation as required to assure notification to FTA and appropriate EPA Regional Office.

World Trans also agrees to include these requirements in each subcontract exceeding \$100,000 financed in whole or in part with Federal assistance provided by FTA.



Amy McCall
World Trans Brand Manager



Date



CERTIFICATION REGARDING CONFLICT OF INTEREST

49 CFR §18.36 (c)(v) and 49 CFR § 19.43 prohibit organizational conflicts of interest as restrictive of competition.

"Organizational conflict of interest" means that, because of other activities or relationship with other persons or firms, a potential Contractor (including its principal participants, directors, proposed consultants or subcontractors) would be unable or potentially unable to render impartial, technically sound assistance or advice to the _____ or the potential Contractor's objectivity in performing the contract work would or might be otherwise impaired; or the potential Contractor has an unfair competitive advantage.

On behalf of World Trans, I certify that the Offeror does not have any relationships with any firms or individuals that are or appear to be an organizational conflict of interest.

Amy McCall
Amy McCall
World Trans Brand Manager

2/2/17
Date



**CERTIFICATION OF
LOWER-TIER PARTICIPANTS REGARDING DEBARMENT, SUSPENSION,
AND OTHER INELIGIBILITY AND VOLUNTARY EXCLUSION**

The Lower Tier Participant (potential sub-grantee or sub-recipient under an UMTA project, potential third party contractor, or potential subcontractor under a major third party contract), World Trans, certifies, by submission of this proposal, that neither it nor its principals are presently debarred, suspended, proposed for debarment, declared ineligible, or voluntarily excluded from participation in this transaction by any Federal department or agency.

(If the Lower Tier Participant [potential sub-grantee or sub-recipient under an UMTA project, potential third party contractor, or potential subcontractor under a major third party contract] is unable to certify to any of the statements in this certification, such participant shall attach an explanation to this proposal.)

The lower-tier participant (potential sub-grantee or sub-recipient under an UMTA project, potential third party contractor, or potential subcontractor under a major third party contract), World Trans, certifies or affirms the truthfulness and accuracy of the contents of the statements submitted on or with this certification and understands that the provisions of 31 U.S.C., §§ 3801 et seq., are applicable thereto.



Amy McCall
World Trans Brand Manager



Date



Debarment and Suspension Certification for Prospective Contractor

Choose one alternative:

The Proposer, World Trans, certified to the best of its knowledge and belief that it and its principals:

1. Are not presently debarred, suspended, proposed for debarment, declared ineligible, or voluntarily excluded from covered transactions by any federal department or agency;
2. Have not within a three-year period preceding this Proposal been convicted of or had a civil judgment rendered against them for commission of fraud or a criminal offense in connection with obtaining, attempting to obtain, or performing a public (federal, state or local) transaction or Contract under a public transaction; violation of federal or state antitrust statutes or commission or embezzlement, theft, forgery, bribery, falsification or destruction of records, making false statements, or receiving stolen property;
3. Are not presently indicted for or otherwise criminally or civilly charge by a governmental entity (federal, state or local) terminated for cause or default.

OR


The Proposer is unable to certify to all of the statements in this certification, and attaches its explanation to this certification. (In explanation, certify to those statements that can be certified to and explain those that cannot.)

The Proposer certifies or affirms the truthfulness and accuracy of the contents of the statements submitted on or with this certification and understands that the provision of Title 31 USC § Sections 3801 are applicable thereto.

Executed in Salina, Kansas



Amy McCall
World Trans Brand Manager



Date



CERTIFICATION OF COMPLIANCE WITH THE AMERICANS WITH DISABILITIES ACT

World Trans, hereby certifies that the vehicle(s) provided, including the lift equipment and mobility aids installed by World Trans, comply with all Federal and Veterans' Administration regulations as well as applicable U.S. Department of Transportation and Americans with Disabilities Act guidelines in effect at the time of installation.

Amy McCall

Amy McCall
World Trans Brand Manager

2/2/17

Date

Americans with Disabilities Act

Major Requirements for Accessibility – Subpart B

1. Mobility aid accessibility – Wheelchair lift or ramp, one securement required for vehicles up to 22 feet, two are required for vehicles over 22 feet in length.
2. Doors steps and thresholds – Slip resistance for floors and steps, contrasting color for step edges and boarding edges.
3. Priority seating signs – Signs indicate front seats are for persons with disabilities. Securement areas are to be labeled.
4. Interior circulation, handrails and stanchions – Wheelchair maneuvering room is required, entrance and exit handrails. Interior height clearance for accessing securements. At least one overhead handrail is required in vehicles over 22 feet in length.
5. Lighting – Step wells and doorways including lift or ramp doorways, exterior area lighting at entrance and exit.
6. Fare box – May not obstruct traffic. Vehicles over 22 feet must have a fare box handrail if a fare box is present.
7. Stop request – Fixed route vehicles over 22 feet must have controls adjacent to securement areas.
8. Destination or route information is displayed on the exterior, it must be illuminated and be on the front and boarding side.

Sincerely,



Amy McCall

World Trans Brand Manager



FMVSS CERTIFICATION

World Trans, as a final-stage manufacturer of incomplete motor vehicles, hereby certifies that World Trans buses are manufactured in compliance with all Federal Motor Vehicle Safety Standards (FMVSS) as required in Parts 567 and 568 of Title 49, Code of Federal Regulations.

Part 568 of title 49, Code of Federal Regulations requires the incomplete vehicle manufacturer to specify the Gross Vehicle Weight Rating (GVWR) of the total.

The above regulations require, among other things, that each complete motor vehicle have a permanently affixed label certifying that such vehicle conformed with all applicable FMVSS on the stated date of manufacture.

All vehicles completed by World Trans have affixed the required certification labels when the vehicle leaves the assembly plant. This certification label on a completed vehicle specifies the Gross Vehicle Weight Rating (GVWR) of the total vehicle as required.



Amy McCall
World Trans Brand Manager



Date



HORSEPOWER CERTIFICATION

World Trans, hereby certifies that the horsepower of the vehicle is adequate for the speed range and terrain in which it will be required to operate and also meet the demands of all auxiliary power equipment.

Amy McCall
Amy McCall
World Trans Brand Manager

2/2/17
Date



CERTIFICATION REGARDING LOBBYING

The undersigned [Contractor] certifies, to the best of his or her knowledge and belief, that:

(1) No Federal appropriated funds have been paid or will be paid, by or on behalf of the undersigned, to any person for influencing or attempting to influence an officer or employee of an agency, a Member of Congress, an officer or employee of Congress, or an employee of a Member of Congress in connection with the awarding of any Federal contract, the making of any Federal grant, the making of any Federal loan, the entering into of any cooperative agreement, and the extension, continuation, renewal, amendment, or modification of any Federal contract, grant, loan, or cooperative agreement.

(2) If any funds other than Federal appropriated funds have been paid or will be paid to any person for making lobbying contacts to an officer or employee of any agency, a Member of Congress, an officer or employee of Congress, or an employee of a Member of Congress in connection with this Federal contract, grant, loan, or cooperative agreement, the undersigned shall complete and submit Standard Form--LLL, "Disclosure Form to Report Lobbying," in accordance with its instructions [as amended by "Government wide Guidance for New Restrictions on Lobbying," 61 Fed. Reg. 1413 (1/19/96). Note: Language in paragraph (2) herein has been modified in accordance with Section 10 of the Lobbying Disclosure Act of 1995 (P.L. 104-65, to be codified at 2 U.S.C. 1601, et seq.)]

(3) The undersigned shall require that the language of this certification be included in the award documents for all subawards at all tiers (including subcontracts, subgrants, and contracts under grants, loans, and cooperative agreements) and that all subrecipients shall certify and disclose accordingly.

This certification is a material representation of fact upon which reliance was placed when this transaction was made or entered into. Submission of this certification is a prerequisite for making or entering into this transaction imposed by 31, U.S.C. § 1352 (as amended by the Lobbying Disclosure Act of 1995). Any person who fails to file the required certification shall be subject to a civil penalty of not less than \$10,000 and not more than \$100,000 for each such failure.

[Note: Pursuant to 31 U.S.C. § 1352(c)(1)-(2)(A), any person who makes a prohibited expenditure or fails to file or amend a required certification or disclosure form shall be subject to a civil penalty of not less than \$10,000 and not more than \$100,000 for each such expenditure or failure.]

The Contractor, World Trans, certifies or affirms the truthfulness and accuracy of each statement of its certification and disclosure, if any. In addition, the Contractor understands and agrees that the provisions of 31 U.S.C. A 3801, et seq., apply to this certification and disclosure, if any.

Amy McCall

Amy McCall

Signature of Contractor's Authorized Official

World Trans Brand Manager

Name and Title of Contractor's Authorized Official

2/2/17

Date

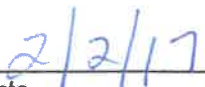


NOISE ABATEMENT CERTIFICATION

World Trans, hereby certifies that the vehicle(s) being provided are in full compliance with the provisions of CFR 40, Part 205.54 Exterior Noise and CFR Title 49, Part 393.94 Interior Noise as required by the Code of Federal Regulations in effect at the time of manufacture.



Amy McCall
World Trans Brand Manager



Date



AFFIDAVIT OF NON-COLLUSION

I hereby swear (or affirm) under the penalty for perjury:

1. That I am the bidder having authority to sign on its behalf:
2. That the attached bid or bids have been arrived at by the bidder independently and have been submitted without collusion and without agreement, understanding, or planned common course of action with any other vendor of materials, supplies, equipment, or service described in the invitation to Bid, designed to limit independent bidding or competition;
3. That the contents of the bid or bids have not been communicated by the bidder or its employees or agents to any person not an employee or agent of the bidder or its surety on any bond furnished with the bid or bids, and will not be communicated to any such person prior to the official opening of the bid or bids; and
4. That I have fully informed myself regarding the accuracy of the statements made in the affidavit.

Amy McCall

Amy McCall
World Trans Brand Manager

2/2/17

Date



CERTIFICATION OF MOTOR VEHICLE POLLUTION REQUIREMENTS

World Trans, hereby certifies that the motor vehicle(s) being provided under this contract shall be in full compliance with the following:

1. The horsepower of the vehicles is adequate for the speed, range, and terrain in which it will be required and also to meet the demands of all auxiliary power equipment.
2. All gases and vapors emanating from the crankcase of a spark-ignition engine are controlled to minimize their escape into the atmosphere.
3. Viable emission from the exhaust will not exceed No. 1 on the Ringlemann Scale when measured six inches from the tail pipe with the vehicle in steady operation.
4. When the vehicle has been idled for three minutes and then accelerated to 80% of rated speed under load, the opacity of the exhaust will not exceed No. 2 on the Ringlemann Scale for more than five seconds, and not more than No. 1 on the Ringlemann Scale thereafter.

It is further certified that Ford Motor Company warrants that:

1. The vehicle being supplied was designed, built and equipped to conform, at the time it was sold, with the emissions regulations of the U.S. Environmental Protection Agency (EPA), and
2. The vehicle being supplied is free of defects in materials and workmanship which would cause it to fail to conform with applicable EPA regulations for a period of five (5) years or 50,000 miles, whichever occurs first.



Amy McCall
World Trans Brand Manager


Date



CERTIFICATION OF STRUCTURAL INTEGRITY

World Trans, hereby certifies that all joints and corners where stress concentration may occur on the vehicles being offered are adequately reinforced to fully withstand the required loads and road shocks that a vehicle of this type is exposed to in both urban and rural service, and to maximize the likelihood that the body will retain its integrity in a roll-over situation.



Amy McCall
World Trans Brand Manager



Date



TRANSIT VEHICLE MANUFACTURER (TVM)
CERTIFICATION OF COMPLIANCE WITH SUBPART D, PART 26

This procurement is subject to the provisions of Section 26.49 of 49 CFR Part 26. Accordingly, as a condition of permission to bid, the following certification must be completed and submitted with the bid. A bid which does not include the certification will not be considered.

TRANSIT VEHICLE MANUFACTURER CERTIFICATION

(Name of Firm) World Trans, a TVM, hereby certifies that it has complied with the requirements of Section 26.49 of 49 CFR Part 26 by submitting a current annual DBE Goal to FTA. The goals apply to fiscal year 2017 (October 1, 2016 to September 30, 2017) and have been approved or not disapproved by FTA.

_____, hereby certifies that the manufacturer of the transit vehicle to be supplied _____
(Name of Firm) *(Name of Manufacturer)*
has complied with the above referenced requirement of Section 26.49 of 49 CFR Part 26.

Signature: Amy McCall
Amy McCall

Date: 2/2/17

Title: World Trans Brand Manager

Firm: World Trans

Telephone No: (574) 970-6302 Fax No: ()-

FEDERAL TRANSIT BUS TEST

Performed for the Federal Transit Administration U.S. DOT
In accordance with CFR 49, Volume 7, Part 665

**Manufacturer: Eldorado National Kansas d.b.a.
Worldtrans
Model: World Trans E26
Submitted for Testing in Service-Life Category
7 Year /200,000 Miles**

September 2016

Report Number: LTI-BT-R1603

PENNSSTATE



THE
LARSON
INSTITUTE

The Thomas D. Larson
Pennsylvania Transportation Institute
201 Transportation Research Building
The Pennsylvania State University
University Park, PA 16802
(814) 865-1891

Bus Testing and Research Center
2237 Old Route 220 North
Duncansville, PA 16635
(814) 695-3404

FEDERAL TRANSIT BUS TEST

Performed for the Federal Transit Administration U.S. DOT
1200 New Jersey Avenue, SE
Washington, DC 20590

In accordance with CFR 49, Volume 7, Part 665

Manufacturer: Eldorado National Kansas d.b.a.
Worldtrans

Manufacturer's address: 331 Graham Road
Imlay City, MI 48444

Model: World Trans E26

Submitted for Testing in Service-Life Category
7 Year /200,000 Miles

Report Number: LTI-BT-R1603





Quality Authorization

Director, Bus Research
and Testing Center

Title

9/7/16

Date

EXECUTIVE SUMMARY

Eldorado National Kansas d.b.a. Worldtrans submitted a model World Trans E26, gasoline-powered 15 seat (including the driver) 26-foot bus, for a 7 yr./200,000 mile STURAA test. The odometer reading at the time of delivery was 500 miles. Testing started on February 5, 2016 and was completed on July 29, 2016. The Check-In section of the report provides a description of the bus and specifies its major components.

The primary part of the test program is the Structural Durability Test, which also provides the information for the Maintainability and Reliability results. The Structural Durability Test was started on February 8, 2016 and was completed on July 28, 2016.

The interior of the bus is configured with seating for 15 passengers including the driver and 2 wheelchair positions resulting in a potential load of 15 persons plus 2 wheelchair positions. Note: this test bus is not designed to accommodate standing passengers. At 150 lbs. per person and 600 lbs. per wheelchair position, this load results in a measured gross vehicle weight of 13,000 lbs. Due to no standing passengers the first and middle segments of the Structural Durability Test were performed with the bus loaded to a GVW of 13,000 lbs. and a SLW of the same 13,000 lbs. The final segment was performed at a CW of 9,520 lbs. Durability driving resulted in unscheduled maintenance and failures that involved a variety of subsystems. A description of failures, and a complete and detailed listing of scheduled and unscheduled maintenance is provided in the Maintainability section of this report.

Effective January 1, 2010 the Federal Transit Administration determined that the total number of simulated passengers used for loading all test vehicles will be based on the full complement of seats and free-floor space available for standing passengers (150 lbs per passenger). The passenger loading used for dynamic testing will not be reduced in order to comply with Gross Axle Weight Ratings (GAWR's) or the Gross Vehicle Weight Ratings (GVWR's) declared by the manufacturer. Cases where the loading exceeds the GAWR and/or the GVWR will be noted accordingly. During the testing program, all test vehicles transported or operated over public roadways will be loaded to comply with the GAWR and GVWR specified by the manufacturer.

Accessibility, in general, was adequate, components covered in Section 1.3 (Repair and/or Replacement of Selected Subsystems) along with all other components encountered during testing, were found to be readily accessible and no restrictions were noted.

The Reliability section compiles failures that occurred during Structural Durability Testing. Breakdowns are classified according to subsystems. The data in this section are arranged so that those subsystems with more frequent problems are apparent. The problems are also listed by class as defined in Section 2. The test bus encountered no Class 1 or Class 2 failures. Of the five reported failures, four were Class 3 and one was Class 4.

The Safety Test, (a double-lane change, obstacle avoidance test) was safely performed in both right-hand and left-hand directions up to a maximum test speed of 45

mph. The performance of the bus is illustrated by a speed vs. time plot. Acceleration and gradeability test data are provided in Section 4, Performance. The average time to obtain 50 mph was 15.38 seconds. The Stopping Distance phase of the Brake Test was completed with the following results; for the Uniform High Friction Test average stopping distances were 25.52' at 20 mph, 48.70' at 30 mph, 85.02' at 40 mph and 103.20' at 45 mph. The average stopping distance for the Uniform Low Friction Test was 32.57'. There was no deviation from the test lane during the performance of the Stopping Distance phase. During the Stability phase of Brake Testing the test bus experienced no deviation from the test lane but did experience pull to the left during both approaches to the Split Friction Road surface. The Parking Brake phase was completed with the test bus maintaining the parked position for the full five minute period with no slip or roll observed in both the uphill and downhill positions.

The Shakedown Test produced a maximum final loaded deflection of 0.251 inches with a permanent set ranging between 0.000 to 0.005 inches under a distributed static load of 6,825 lbs. The Distortion Test was completed with all subsystems, doors and escape mechanisms operating properly. No water leakage was observed throughout the test. All subsystems operated properly.

The test bus submitted for testing was not equipped with any type of tow eyes or tow hooks, therefore the Static Towing Test was not performed. The Dynamic Towing Test was performed by means of a front-lift tow. The towing interface was accomplished using a hydraulic under-lift wrecker. The bus was towed without incident and no damage resulted from the test. The manufacturer does not recommend towing the bus from the rear, therefore, a rear test was not performed. The Jacking and Hoisting Tests were also performed without incident. The bus was found to be stable on the jack stands, and the minimum jacking clearance observed with a tire deflated was 6.0 inches.

A Fuel Economy Test was run on simulated central business district, arterial, and commuter courses. The results were 6.42 mpg, 6.83 mpg, and 11.54 mpg respectively; with an overall average of 7.5 mpg.

A series of Interior and Exterior Noise Tests was performed. These data are listed in Section 7.1 and 7.2 respectively.

The Emissions Test was performed. These results are available in Section 8 of this report.