



West Virginia Purchasing Division

2019 Washington Street, East
Charleston, WV 25305
Telephone: 304-558-2306
General Fax: 304-558-6026
Bid Fax: 304-558-3970

The following documentation is an electronically-submitted vendor response to an advertised solicitation from the *West Virginia Purchasing Bulletin* within the Vendor Self-Service portal at ***wvOASIS.gov***. As part of the State of West Virginia's procurement process, and to maintain the transparency of the bid-opening process, this documentation submitted online is publicly posted by the West Virginia Purchasing Division at ***WVPurchasing.gov*** with any other vendor responses to this solicitation submitted to the Purchasing Division in hard copy format.

Header

List View

General Information | Contact | Default Values | Discount | Document Information

Procurement Folder: 249812

SO Doc Code: CRFQ

Procurement Type: Central Purchase Order

SO Dept: 0603

Vendor ID: VS0000010738

SO Doc ID: ADJ1700000003

Legal Name: CWS, Inc.

Published Date: 8/30/16

Alias/DBA: Finn All Seasons

Close Date: 9/20/16

Total Bid: \$33,785.00

Close Time: 13:30

Response Date: 09/15/2016

Status: Closed

Response Time: 14:38

Solicitation Description: FINN MODEL B70T OR EQUAL STRAW BLOWER

Total of Header Attachments: 0

Total of All Attachments: 0



Purchasing Division
 2019 Washington Street East
 Post Office Box 50130
 Charleston, WV 25305-0130

**State of West Virginia
 Solicitation Response**

Proc Folder : 249812

Solicitation Description : FINN MODEL B70T OR EQUAL STRAW BLOWER

Proc Type : Central Purchase Order

Date issued	Solicitation Closes	Solicitation Response	Version
	2016-09-20 13:30:00	SR 0603 ESR09151600000001100	1

VENDOR
VS0000010738 CWS, Inc. Finn All Seasons

Solicitation Number: CRFQ 0603 ADJ1700000003

Total Bid : \$33,785.00 **Response Date:** 2016-09-15 **Response Time:** 14:38:27

Comments: Strawblower comes with a 2 year warranty on machine and engine.

FOR INFORMATION CONTACT THE BUYER
 Crystal Rink
 (304) 558-2402
 crystal.g.rink@wv.gov

Signature on File	FEIN #	DATE
--------------------------	---------------	-------------

All offers subject to all terms and conditions contained in this solicitation

Line	Comm Ln Desc	Qty	Unit Issue	Unit Price	Ln Total Or Contract Amount
1	FINN MODEL B70T OR EQUAL STRAW BLOWER	1.00000	EA	\$32,490.000000	\$32,490.00

Comm Code	Manufacturer	Specification	Model #
21100000			

Extended Description : FINN MODEL B70T OR EQUAL STRAW BLOWER

Comments: 360 degree rotation, 50 degree vertical
35.1 HP Yanmar diesel engine
horizontal, collapsible feed tray adjustable height
Trailer w/electric brakes and DOT lights
21" blower fan with 6 fan blades

Line	Comm Ln Desc	Qty	Unit Issue	Unit Price	Ln Total Or Contract Amount
2	ACCESSORY DISCHARGE SPOUT ADAPTER	1.00000	EA	\$1,295.000000	\$1,295.00

Comm Code	Manufacturer	Specification	Model #
21100000			

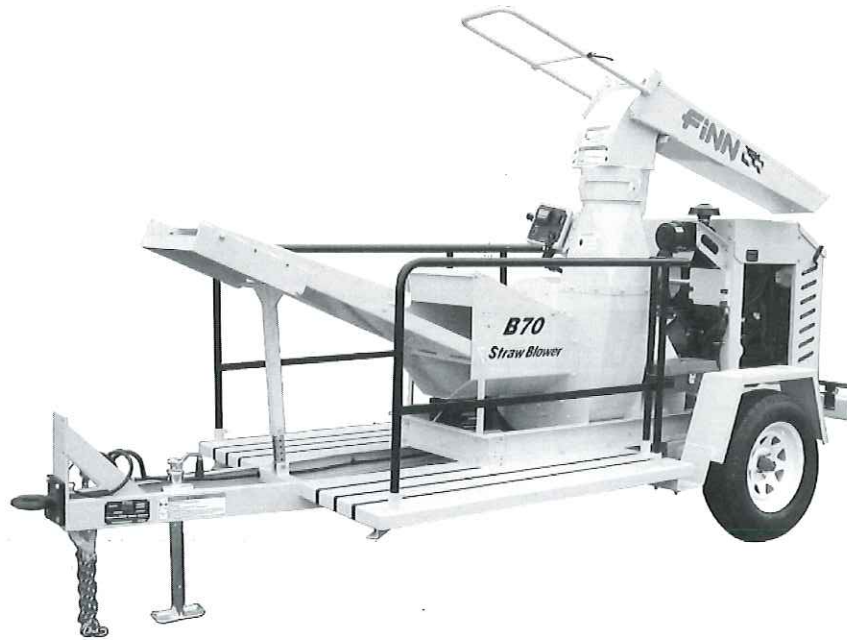
Extended Description : ACCESSORY DISCHARGE SPOUT ADAPTER WITH 50FT EXTENSION HOSE

Comments: Part Number 031303

FINN

Straw Blower

Model B70



*B70 Straw Blower
Straight Pull Trailer.
(B70T)*

The FINN B70 Straw Blower is an ideal performer for all mid-size mulching needs. Designed to handle a wide variety of mulching material, the B70 gives you the high productivity and dependability that is essential for tackling home sites, industrial and commercial projects, and highway roadsides.

Power & Performance.

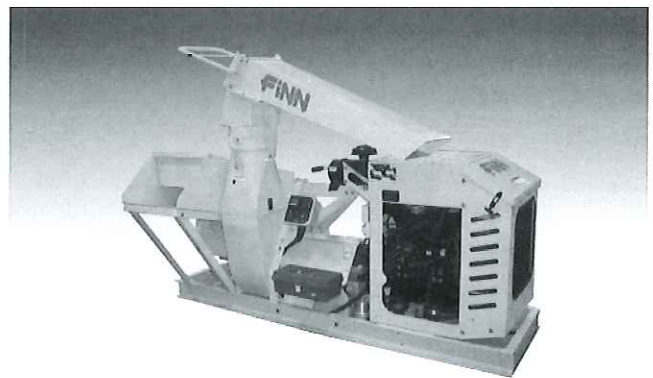
The B70 is capable of handling 6-7 tons per hour, while providing maximum operator convenience. The feed tray is adjustable in height and length, providing the most convenient positioning for feeding from your vehicle. The discharge spout is equipped with a tension device for easy one hand operation control. The large operator platforms on the trailer model allow control of the discharge spout, as well as feeding from either side of the machine.

When The Going Gets Tough.

The B70 Straw Blower features independent torsion axle suspension and large 15" wheels, providing easy trailing on rough or uneven terrain. Electric brakes are standard equipment. The over-center clutch is also standard, eliminating shock load transmissions to the engine, starter, and other driveline components. The B70 Straw Blower is

also available as a skid model - an excellent option when you want a spreader and mulcher located on the same vehicle.

As the world leader for over 70 years in the design and manufacture of innovative, quality equipment for the erosion control industry, FINN Corporation is committed to your complete satisfaction.



B70, Right Hand Feed, Straw Blower Skid Mounted. (B70S)

Model shown may include optional equipment.

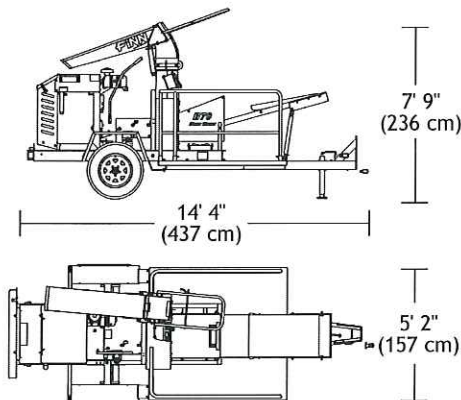


Straw Blower

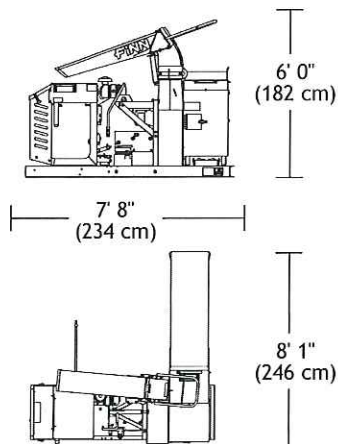
Model B70 with Tier 4Final Diesel Engine

FINN MODEL B70 TECHNICAL SPECIFICATIONS

B70T TRAILER



B70S SKID MOUNT



- POWER Yanmar 3TNV88C-DYEM, 35.1hp (26.2kw), 3 cylinder water cooled diesel engine with over-center clutch. Tier 4Final. 1.642L
- ENGINE SAFETY..... Low oil pressure, electronic engine control and SYSTEM monitoring
- CAPACITY..... Up to 7 tons of hay or straw per hour
- FUEL TANK 11 gallon (41.6 liter) CAPACITY
- BLOWER..... Dynamically balanced, 21" (53 cm) diameter fan with 6 blades developing a discharge velocity greater than 150 mph (240 km/h)
- RANGE..... 60 ft. (18 m) in still air
- FEED Manual
- BEATER CHAMBER 3.5 cu. ft. (99 liter) with removable beater chains
- DISCHARGE SPOUT Block bearing mounted. 360 degrees horizontal rotation and 70 degrees vertical travel
- TRAILER OPTION Independent suspension rubber torsion axle, electric brakes, ST205/75015 load range C tires, fenders, D.O.T highway lights, dual skid proof operator platforms, parking jack, 2" (5 cm) ball or heavy duty lunette ring
- FEED TRAY Folding tray, adjustable height to meet bed of supply vehicle
- DRIVE..... Blower fan in-line coupled to over-center clutch with flexible coupling and two pillow block bearings
- WEIGHT B70S 1,700 lbs. (771 kg)
B70T 2,360 lbs. (1070 kg)

FINN Corporation has a policy of continuous product improvement, and reserves the right to change design and specifications without notice.

FINN Design® Logo is a trademark of FINN Corporation.



9281 LeSaint Drive • Fairfield, OH 45014-5457
Toll Free 800.543.7166 / 513.874.2818
FINNcorp.com