



# West Virginia Purchasing Division

2019 Washington Street, East  
Charleston, WV 25305  
Telephone: 304-558-2306  
General Fax: 304-558-6026  
Bid Fax: 304-558-3970

The following documentation is an electronically-submitted vendor response to an advertised solicitation from the *West Virginia Purchasing Bulletin* within the Vendor Self-Service portal at ***wvOASIS.gov***. As part of the State of West Virginia's procurement process, and to maintain the transparency of the bid-opening process, this documentation submitted online is publicly posted by the West Virginia Purchasing Division at ***WVPurchasing.gov*** with any other vendor responses to this solicitation submitted to the Purchasing Division in hard copy format.

## Header @ 4

List View

**General Information** | Contact | Default Values | Discount | Document Information

Procurement Folder: 313618

SO Doc Code: CRFQ

Procurement Type: Central Purchase Order

SO Dept: 0439

Vendor ID: 000000190712

SO Doc ID: EBA1700000002

Legal Name: VSA INC

Published Date: 3/29/17

Alias/DBA:

Close Date: 4/4/17

Total Bid: \$132,071.60

Close Time: 13:30

Response Date: 04/03/2017

Status: Closed

Response Time: 14:44

Solicitation Description: ADDENDUM No. 1 - FIELD/STUDIO HIGH DEF

Total of Header Attachments: 4

Total of All Attachments: 4



Purchasing Division  
 2019 Washington Street East  
 Post Office Box 50130  
 Charleston, WV 25305-0130

**State of West Virginia  
 Solicitation Response**

Proc Folder : 313618

Solicitation Description : ADDENDUM No. 1 - FIELD/STUDIO HIGH DEF CAMERAS

Proc Type : Central Purchase Order

Date issued	Solicitation Closes	Solicitation Response	Version
	2017-04-04 13:30:00	SR 0439 ESR04031700000004758	1

VENDOR
000000190712 VSA INC

Solicitation Number: CRFQ 0439 EBA1700000002

Total Bid : \$132,071.60      Response Date: 2017-04-03      Response Time: 14:44:04

Comments: All products on this response are all Sony products, which will make integration and future technical support from Sony more streamlined and uniform.

**FOR INFORMATION CONTACT THE BUYER**  
 Michelle L Childers  
 (304) 558-2063  
 michelle.l.childers@wv.gov

Signature on File      FEIN #      DATE

All offers subject to all terms and conditions contained in this solicitation

Line	Comm Ln Desc	Qty	Unit Issue	Unit Price	Ln Total Or Contract Amount
1	FIELD STUDIO CAMERA PACKAGE, SONY PXWX400KF OR EQUAL	4.00000	EA	\$16,195.000000	\$64,780.00

Comm Code	Manufacturer	Specification	Model #
45121515			

<b>Extended Description :</b>	3.1.1 FROM SPECS SONY PXWX400KF FIELD/STUDIO CAMERA PACKAGE PLUS ACCESSORIES
-------------------------------	--

**Comments:** SONY PXW400KF

Line	Comm Ln Desc	Qty	Unit Issue	Unit Price	Ln Total Or Contract Amount
2	TRANSIT CASE	4.00000	EA	\$367.900000	\$1,471.60

Comm Code	Manufacturer	Specification	Model #
53121705			

<b>Extended Description :</b>	3.1.2 FROM SPECS: CARRYING CASE FOR CAMERA AND LENS WITH LOCK LATCHING MECHANISMS. SONY LC-H300 OR EQUAL
-------------------------------	--

**Comments:** SONY recommends that the LC-424TH Case be used with all PXW400-series camera. This quoted price is for the LC-424TH case.

Line	Comm Ln Desc	Qty	Unit Issue	Unit Price	Ln Total Or Contract Amount
3	TRIPOD ADAPTOR	4.00000	EA	\$273.000000	\$1,092.00

Comm Code	Manufacturer	Specification	Model #
45121602			

<b>Extended Description :</b>	3.1.3 FROM SPECS: PHYSICAL ADAPTOR PLATE FOR TRIPOD MOUNTING; SONY VCT14 ADAPTOR PLATE OR EQUAL
-------------------------------	---

**Comments:** SONY VCT14

Line	Comm Ln Desc	Qty	Unit Issue	Unit Price	Ln Total Or Contract Amount
4	FIBER OPTIC CAMERA ADAPTER	4.00000	EA	\$3,970.000000	\$15,880.00

Comm Code	Manufacturer	Specification	Model #
43223323			

<b>Extended Description :</b>	3.1.4 FROM SPECS: FIBER OPTIC CAMERA ADAPTER; SONY CAFB70 FIBER OPTIC CAMERA ADAPTER OR EQUAL
-------------------------------	---

**Comments:** SONY CAFB70

Line	Comm Ln Desc	Qty	Unit Issue	Unit Price	Ln Total Or Contract Amount
5	OPTICAL FIBER CABLE 100 METERS	4.00000	EA	\$1,054.000000	\$4,216.00

Comm Code	Manufacturer	Specification	Model #
26121607			

<b>Extended Description :</b>	3.1.7 FROM SPECS: 100 METER FIBER OPTIC CABLE TO CONNECT BETWEEN CAMERA AND CUU; SONY CCFN100 FIBER OPTIC CABLE OR EQUAL
-------------------------------	--

**Comments:** SONY CCFN100

Line	Comm Ln Desc	Qty	Unit Issue	Unit Price	Ln Total Or Contract Amount
6	REMOTE CONTROL PANEL	4.00000	EA	\$5,078.000000	\$20,312.00

Comm Code	Manufacturer	Specification	Model #
45121623			

<b>Extended Description :</b>	3.1.6 FROM SPECS: REMOTE CONTROL PANEL; SONY RCP1500 REMOTE CONTROL PANEL OR EQUAL
-------------------------------	--

**Comments:** SONY RCP1500

Line	Comm Ln Desc	Qty	Unit Issue	Unit Price	Ln Total Or Contract Amount
7	CAMERA CONTROL UNIT	4.00000	EA	\$6,080.000000	\$24,320.00

Comm Code	Manufacturer	Specification	Model #
45121623			

<b>Extended Description :</b>	3.1.5 FROM SPECS: SONY HXCUF70 OR EQUAL
-------------------------------	---

**Comments:** SONY HXCUF70

STATE OF WEST VIRGINIA  
Purchasing Division

**PURCHASING AFFIDAVIT**

**MANDATE:** Under W. Va. Code §5A-3-10a, no contract or renewal of any contract may be awarded by the state or any of its political subdivisions to any vendor or prospective vendor when the vendor or prospective vendor or a related party to the vendor or prospective vendor is a debtor and: (1) the debt owed is an amount greater than one thousand dollars in the aggregate; or (2) the debtor is in employer default.

**EXCEPTION:** The prohibition listed above does not apply where a vendor has contested any tax administered pursuant to chapter eleven of the W. Va. Code, workers' compensation premium, permit fee or environmental fee or assessment and the matter has not become final or where the vendor has entered into a payment plan or agreement and the vendor is not in default of any of the provisions of such plan or agreement.

**DEFINITIONS:**

**"Debt"** means any assessment, premium, penalty, fine, tax or other amount of money owed to the state or any of its political subdivisions because of a judgment, fine, permit violation, license assessment, defaulted workers' compensation premium, penalty or other assessment presently delinquent or due and required to be paid to the state or any of its political subdivisions, including any interest or additional penalties accrued thereon.

**"Employer default"** means having an outstanding balance or liability to the old fund or to the uninsured employers' fund or being in policy default, as defined in W. Va. Code § 23-2c-2, failure to maintain mandatory workers' compensation coverage, or failure to fully meet its obligations as a workers' compensation self-insured employer. An employer is not in employer default if it has entered into a repayment agreement with the Insurance Commissioner and remains in compliance with the obligations under the repayment agreement.

**"Related party"** means a party, whether an individual, corporation, partnership, association, limited liability company or any other form or business association or other entity whatsoever, related to any vendor by blood, marriage, ownership or contract through which the party has a relationship of ownership or other interest with the vendor so that the party will actually or by effect receive or control a portion of the benefit, profit or other consideration from the performance of a vendor or contract with the party receiving an amount that meets or exceeds five percent of the total contract amount.

**AFFIRMATION:** By signing this form, the vendor's authorized signer affirms and acknowledges under penalty of law for false swearing (W. Va. Code §61-5-3) that neither vendor nor any related party owe a debt as defined above and that neither vendor nor any related party are in employer default as defined above, unless the debt or employer default is permitted under the exception above.

**WITNESS THE FOLLOWING SIGNATURE:**

Vendor's Name: VSA, Inc.

Authorized Signature: [Signature] Date: 3-31-17

State of West Virginia

County of Jefferson, to-wit:

Taken, subscribed, and sworn to before me this 31<sup>st</sup> day of March, 2017.

My Commission expires Nov 10<sup>th</sup> 2021, 20  .

**AFFIX SEAL HERE**

**NOTARY PUBLIC** [Signature]

*Purchasing Affidavit (Revised 08/01/2015)*





Purchasing Divison  
 2019 Washington Street East  
 Post Office Box 50130  
 Charleston, WV 25305-0130

State of West Virginia  
 Request for Quotation  
 04 - Audio/Video

Proc Folder: 313618

Doc Description: 4 BROADCAST, 3, 2/3" CHIP FIELD/STUDIO HIGH DEF CAMERAS

Proc Type: Central Purchase Order

Date Issued	Solicitation Closes	Solicitation No	Version
2017-03-20	2017-04-04 13:30:00	CRFQ 0439 EBA1700000002	1

**BID RECEIVING LOCATION**

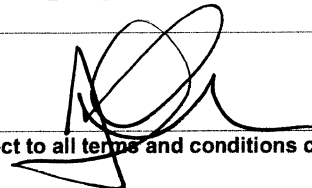
BID CLERK  
 DEPARTMENT OF ADMINISTRATION  
 PURCHASING DIVISION  
 2019 WASHINGTON ST E  
 CHARLESTON WV 25305  
 US

**VENDOR**

Vendor Name, Address and Telephone Number:  
 VSA, Inc.  
 6929 SEWARD AVE.  
 LINCOLN, NE. 68507  
 855-676-8721

**FOR INFORMATION CONTACT THE BUYER**

Michelle L Childers  
 (304) 558-2063  
 michelle.l.childers@wv.gov

Signature X  FEIN # 47-0605133 DATE 4/3/17  
 All offers subject to all terms and conditions contained in this solicitation



**ADDENDUM ACKNOWLEDGEMENT FORM**  
**SOLICITATION NO.:** \_\_\_\_\_

**Instructions:** Please acknowledge receipt of all addenda issued with this solicitation by completing this addendum acknowledgment form. Check the box next to each addendum received and sign below. Failure to acknowledge addenda may result in bid disqualification.

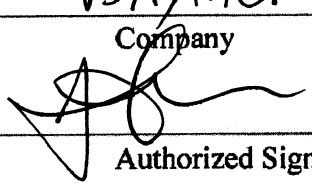
**Acknowledgment:** I hereby acknowledge receipt of the following addenda and have made the necessary revisions to my proposal, plans and/or specification, etc.

**Addendum Numbers Received:**

(Check the box next to each addendum received)

- |   |  |
|---|--|
| <input type="checkbox"/> Addendum No. 1 | <input type="checkbox"/> Addendum No. 6  |
| <input type="checkbox"/> Addendum No. 2 | <input type="checkbox"/> Addendum No. 7  |
| <input type="checkbox"/> Addendum No. 3 | <input type="checkbox"/> Addendum No. 8  |
| <input type="checkbox"/> Addendum No. 4 | <input type="checkbox"/> Addendum No. 9  |
| <input type="checkbox"/> Addendum No. 5 | <input type="checkbox"/> Addendum No. 10 |

I understand that failure to confirm the receipt of addenda may be cause for rejection of this bid. I further understand that any verbal representation made or assumed to be made during any oral discussion held between Vendor's representatives and any state personnel is not binding. Only the information issued in writing and added to the specifications by an official addendum is binding.

VSA, Inc.  
\_\_\_\_\_  
Company  
  
\_\_\_\_\_  
Authorized Signature  
4.3.17  
\_\_\_\_\_  
Date

**NOTE:** This addendum acknowledgment should be submitted with the bid to expedite document processing.

Revised 6/8/2012

**SOLICITATION NUMBER:** CRFQ EBA1700000002

**Addendum Number:** 01

---

The purpose of this addendum is to modify the solicitation identified as ("Solicitation") to reflect the change(s) identified and described below.

**Applicable Addendum Category:**

- Modify bid opening date and time
- Modify specifications of product or service being sought
- Attachment of vendor questions and responses
- Attachment of pre-bid sign-in sheet
- Correction of error
- Other

**Description of Modification to Solicitation:**

This addendum is issued to modify the solicitation per the attached documentation and the following:

1. To publish vendor question and agency answer.

No other changes.

**Additional Documentation:** Documentation related to this Addendum (if any) has been included herewith as Attachment A and is specifically incorporated herein by reference.

**Terms and Conditions:**

1. All provisions of the Solicitation and other addenda not modified herein shall remain in full force and effect.
2. Vendor should acknowledge receipt of all addenda issued for this Solicitation by completing an Addendum Acknowledgment, a copy of which is included herewith. Failure to acknowledge addenda may result in bid disqualification. The addendum acknowledgement should be submitted with the bid to expedite document processing.

**DESIGNATED CONTACT:** Vendor appoints the individual identified in this Section as the Contract Administrator and the initial point of contact for matters relating to this Contract.

VSA, Inc.      JEFF ALAN, Nat'l Acct. Manager  
 (Name, Title)

Jeff Alan, Nat'l Acct. Mgr.  
 (Printed Name and Title)


6929 Seward Ave., Lincoln, NE. 68507  
 (Address)

855-676-8721 / 304-724-8728  
 (Phone Number) / (Fax Number)

JEFFA @ VSA1.COM  
 (email address)

**CERTIFICATION AND SIGNATURE:** By signing below, or submitting documentation through wvOASIS, I certify that I have reviewed this Solicitation in its entirety; that I understand the requirements, terms and conditions, and other information contained herein; that this bid, offer or proposal constitutes an offer to the State that cannot be unilaterally withdrawn; that the product or service proposed meets the mandatory requirements contained in the Solicitation for that product or service, unless otherwise stated herein; that the Vendor accepts the terms and conditions contained in the Solicitation, unless otherwise stated herein; that I am submitting this bid, offer or proposal for review and consideration; that I am authorized by the vendor to execute and submit this bid, offer, or proposal, or any documents related thereto on vendor's behalf; that I am authorized to bind the vendor in a contractual relationship; and that to the best of my knowledge, the vendor has properly registered with any State agency that may require registration.

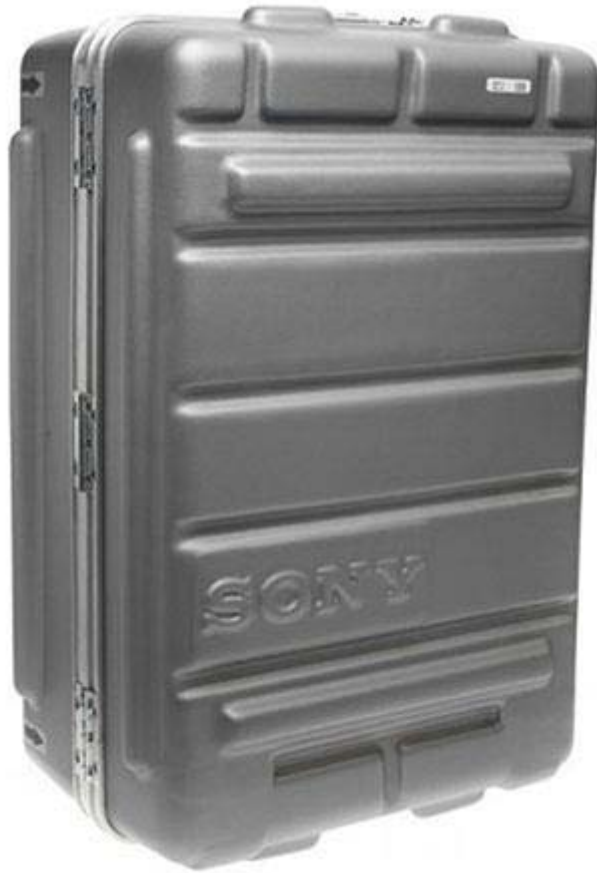
VSA, Inc.  
 (Company)

 Jeff Alan, Nat'l Acct. Mgr.  
 (Authorized Signature) (Representative Name, Title)

JEFF ALAN, Nat'l Acct. Manger  
 (Printed Name and Title of Authorized Representative)

4-3-17  
 (Date)

855-676-8721 / 304-724-8728  
 (Phone Number) (Fax Number)



The Sony LC424TH Thermodyne Shipping Case with Built-in Wheels for Professional Cameras is a rugged ATA certified hard shell carrying and shipping case made by Thermodyne. It has a custom foam interior for complete protection of the Sony DXC and PXW series cameras and camcorders with a lens, two batteries, charger, tripod adapter and tape. It has quality weather resistant, gasket sealed construction and heavy-duty field replacement hardware plus spring loaded handle and latches. The case is lockable for shipping and conforms to airline carry-on regulations.

#### Sony LC424TH Features

---

- Rugged ATA certified carrying and shipping case with custom foam interior for complete protection
- Quality weather resistant, gasket sealed construction
- High-strength corner-mount casters
- Heavy-duty field replaceable hardware
- Spring-loaded handle and latches
- Rugged silver shell made from High Molecular Weight Polyethylene material

#### Sony LC424TH Specifications

---

**Compatibility**

Sony DXC series studio camcorders with accessories

---

**Material**

High molecular weight polyethylene plastic

---

**Type of Closure**

Spring loaded latches

---

**Design**

Rugged ATA certified carrying and shipping case with custom foam interior

---

**Accommodates**

Professional/Broadcast camcorder with accessories

---

**Carrying/Transport Options**

Spring loaded handle

---

**Exterior Dimensions (L x W x H)**

31 x 20 x 14" (78.74 x 50.8 x 35.56cm)

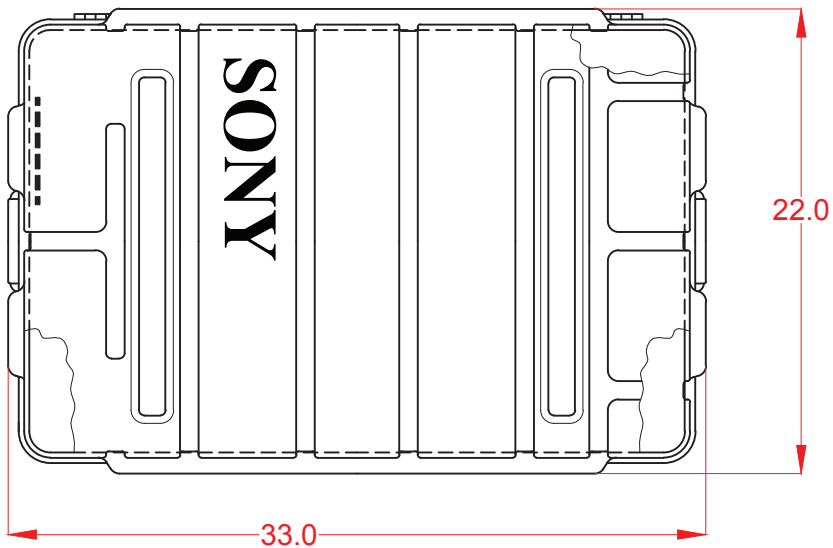
---

**Weight**

28lbs (12.7kg)

---

Warranty 5 years parts/labor



This document is the property of Thermodyne int. Ltd and shall not be reproduced or copied or used in whole or in part as the basis for the manufacture or sale of items without written permission.

