



State of West Virginia  
 Department of Administration  
 Purchasing Division  
 2019 Washington Street East  
 Post Office Box 50130  
 Charleston, WV 25305-0130

**Solicitation**

NUMBER
GSD146813

PAGE
1

ADDRESS CORRESPONDENCE TO ATTENTION OF:
GUY NISBET
304-558-2596

RFQ COPY

TYPE NAME/ADDRESS HERE

VENDOR

*Mountaineer Electric Supply, Inc.*  
*612 South Eisenhower Dr.*  
*Beckley, WV 25801*

SHIP TO

DEPARTMENT OF ADMINISTRATION  
 VARIOUS LOCALES AS INDICATED  
 BY ORDER

DATE PRINTED
03/25/2014

BID OPENING DATE: 04/22/2014

BID OPENING TIME 1:30PM

LINE	QUANTITY	UOP	CAT. NO.	ITEM NUMBER	UNIT PRICE	AMOUNT
0001	1	EA		285-56	\$299.25	Each
				REPLACEMENT LIGHT FOR PARKING GARAGE		X 180 Qty
				REQUEST FOR QUOTATION (RFQ)		=
				THE WEST VIRGINIA PURCHASING DIVISION FOR THE AGENCY, THE WEST VIRGINIA DEPARTMENT OF ADMINISTRATION'S GENERAL SERVICES DIVISION IS SOLICITING BIDS TO ESTABLISH A CONTRACT FOR THE "ONE-TIME" PURCHASE OF ONE HUNDRED EIGHTY (180) OUTDOOR REPLACEMENT LIGHTS PER THE ATTACHED SPECIFICATIONS AND TERMS AND CONDITIONS.		
				***** THIS IS THE END OF RFQ GSD146813 ***** TOTAL:		\$53,865.00

04/22/14 10:07:51AM  
 West Virginia Purchasing Division

SIGNATURE	TELEPHONE	DATE
TITLE	FEIN	ADDRESS CHANGES TO BE NOTED ABOVE

WHEN RESPONDING TO SOLICITATION, INSERT NAME AND ADDRESS IN SPACE ABOVE LABELED 'VENDOR'



612 South Eisenhower Dr.  
Beckley, WV 25801

# Quote

Date	Quote #
4/21/2014	1125

Name / Address
State of West Virginia Department of Administration, Purchasing Division 2019 Washington Street East Charleston, WV 25305-0130

Rep	Project
JWT	

Item	Description	Qty	Price	Type	Total
SYL 71939	OSRAM #71939 PermaLED LOW PROFILE CANOPY WHITE CAT#LSC/L/55/740/T5/UNV/WH 4000K 55W  Refernece Solicitation #GSD146813 Bid Opening Date and Time: April 22nd, 2014 at 1:30 PM. EST.  F.O.B Destination Freight Prepaid	180	299.25		53865.00

**Total** \$53,865.00

Phone #	Fax #	E-mail
304-894-8357	304-894-8359	mountaineerelejwt@yahoo.com

Approval Signature

---

# State of West Virginia VENDOR PREFERENCE CERTIFICATE

Certification and application\* is hereby made for Preference in accordance with **West Virginia Code**, §5A-3-37. (Does not apply to construction contracts). **West Virginia Code**, §5A-3-37, provides an opportunity for qualifying vendors to request (at the time of bid) preference for their residency status. Such preference is an evaluation method only and will be applied only to the cost bid in accordance with the **West Virginia Code**. This certificate for application is to be used to request such preference. The Purchasing Division will make the determination of the Resident Vendor Preference, if applicable.

- 1. **Application is made for 2.5% resident vendor preference for the reason checked:**  
 Bidder is an individual resident vendor and has resided continuously in West Virginia for four (4) years immediately preceding the date of this certification; **or**,  
 Bidder is a partnership, association or corporation resident vendor and has maintained its headquarters or principal place of business continuously in West Virginia for four (4) years immediately preceding the date of this certification; or 80% of the ownership interest of Bidder is held by another individual, partnership, association or corporation resident vendor who has maintained its headquarters or principal place of business continuously in West Virginia for four (4) years immediately preceding the date of this certification; **or**,  
 Bidder is a nonresident vendor which has an affiliate or subsidiary which employs a minimum of one hundred state residents and which has maintained its headquarters or principal place of business within West Virginia continuously for the four (4) years immediately preceding the date of this certification; **or**,
- 2. **Application is made for 2.5% resident vendor preference for the reason checked:**  
 Bidder is a resident vendor who certifies that, during the life of the contract, on average at least 75% of the employees working on the project being bid are residents of West Virginia who have resided in the state continuously for the two years immediately preceding submission of this bid; **or**,
- 3. **Application is made for 2.5% resident vendor preference for the reason checked:**  
 Bidder is a nonresident vendor employing a minimum of one hundred state residents or is a nonresident vendor with an affiliate or subsidiary which maintains its headquarters or principal place of business within West Virginia employing a minimum of one hundred state residents who certifies that, during the life of the contract, on average at least 75% of the employees or Bidder's affiliate's or subsidiary's employees are residents of West Virginia who have resided in the state continuously for the two years immediately preceding submission of this bid; **or**,
- 4. **Application is made for 5% resident vendor preference for the reason checked:**  
 Bidder meets either the requirement of both subdivisions (1) and (2) or subdivision (1) and (3) as stated above; **or**,
- 5. **Application is made for 3.5% resident vendor preference who is a veteran for the reason checked:**  
 Bidder is an individual resident vendor who is a veteran of the United States armed forces, the reserves or the National Guard and has resided in West Virginia continuously for the four years immediately preceding the date on which the bid is submitted; **or**,
- 6. **Application is made for 3.5% resident vendor preference who is a veteran for the reason checked:**  
 Bidder is a resident vendor who is a veteran of the United States armed forces, the reserves or the National Guard, if, for purposes of producing or distributing the commodities or completing the project which is the subject of the vendor's bid and continuously over the entire term of the project, on average at least seventy-five percent of the vendor's employees are residents of West Virginia who have resided in the state continuously for the two immediately preceding years.
- 7. **Application is made for preference as a non-resident small, women- and minority-owned business, in accordance with West Virginia Code §5A-3-59 and West Virginia Code of State Rules.**  
 Bidder has been or expects to be approved prior to contract award by the Purchasing Division as a certified small, women- and minority-owned business.

Bidder understands if the Secretary of Revenue determines that a Bidder receiving preference has failed to continue to meet the requirements for such preference, the Secretary may order the Director of Purchasing to: (a) reject the bid; or (b) assess a penalty against such Bidder in an amount not to exceed 5% of the bid amount and that such penalty will be paid to the contracting agency or deducted from any unpaid balance on the contract or purchase order.

By submission of this certificate, Bidder agrees to disclose any reasonably requested information to the Purchasing Division and authorizes the Department of Revenue to disclose to the Director of Purchasing appropriate information verifying that Bidder has paid the required business taxes, provided that such information does not contain the amounts of taxes paid nor any other information deemed by the Tax Commissioner to be confidential.

**Under penalty of law for false swearing (West Virginia Code, §61-5-3), Bidder hereby certifies that this certificate is true and accurate in all respects; and that if a contract is issued to Bidder and if anything contained within this certificate changes during the term of the contract, Bidder will notify the Purchasing Division in writing immediately.**

Bidder: Mountaineer Electric Supply, Inc. Signed: Justin W. Thorton  
 Date: 4/21/14 Title: Vice President - Mountaineer Electric Supply, Inc.

REQUEST FOR QUOTATION  
GSD146813 Outdoor Replacement Lighting Fixtures

---

ATTACHMENT A

NAME OF BIDDER: Mountaineer Electric Supply, Inc.

We, the BIDDER, having examined specification, hereby propose to furnish equipment as described in the Bidding Documents.

**Total Cost to provide equipment as stipulated in the Bidding Documents:**

---

fifty-three thousand eight hundred sixty-five dollars & <sup>00</sup>/<sub>100</sub> (\$53,865.00)  
(Total to be written in figures and words)

In the event that the written amount and the numerical amount differ, the written amount shall prevail.

The Bidder, if successful and awarded the contact, agrees that equipment is to be delivered within thirty (30) consecutive calendar days following issuance of the Purchase Order.

RFQ No. GSD146813

STATE OF WEST VIRGINIA  
Purchasing Division

**PURCHASING AFFIDAVIT**

**MANDATE:** Under W. Va. Code §5A-3-10a, no contract or renewal of any contract may be awarded by the state or any of its political subdivisions to any vendor or prospective vendor when the vendor or prospective vendor or a related party to the vendor or prospective vendor is a debtor and: (1) the debt owed is an amount greater than one thousand dollars in the aggregate; or (2) the debtor is in employer default.

**EXCEPTION:** The prohibition listed above does not apply where a vendor has contested any tax administered pursuant to chapter eleven of the W. Va. Code, workers' compensation premium, permit fee or environmental fee or assessment and the matter has not become final or where the vendor has entered into a payment plan or agreement and the vendor is not in default of any of the provisions of such plan or agreement.

**DEFINITIONS:**

**"Debt"** means any assessment, premium, penalty, fine, tax or other amount of money owed to the state or any of its political subdivisions because of a judgment, fine, permit violation, license assessment, defaulted workers' compensation premium, penalty or other assessment presently delinquent or due and required to be paid to the state or any of its political subdivisions, including any interest or additional penalties accrued thereon.

**"Employer default"** means having an outstanding balance or liability to the old fund or to the uninsured employers' fund or being in policy default, as defined in W. Va. Code § 23-2c-2, failure to maintain mandatory workers' compensation coverage, or failure to fully meet its obligations as a workers' compensation self-insured employer. An employer is not in employer default if it has entered into a repayment agreement with the Insurance Commissioner and remains in compliance with the obligations under the repayment agreement.

**"Related party"** means a party, whether an individual, corporation, partnership, association, limited liability company or any other form or business association or other entity whatsoever, related to any vendor by blood, marriage, ownership or contract through which the party has a relationship of ownership or other interest with the vendor so that the party will actually or by effect receive or control a portion of the benefit, profit or other consideration from performance of a vendor contract with the party receiving an amount that meets or exceed five percent of the total contract amount.

**AFFIRMATION:** By signing this form, the vendor's authorized signer affirms and acknowledges under penalty of law for false swearing (W. Va. Code §61-5-3) that neither vendor nor any related party owe a debt as defined above and that neither vendor nor any related party are in employer default as defined above, unless the debt or employer default is permitted under the exception above.

**WITNESS THE FOLLOWING SIGNATURE:**

Vendor's Name: Mountaineer Electric Supply, Inc.

Authorized Signature: Justin H. Shorter Date: 4/21/14

State of WV

County of Raleigh, to-wit:

Taken, subscribed, and sworn to before me this 21 day of April, 2014.

My Commission expires Feb 7, 2021, 20  .

**AFFIX SEAL HERE**

**NOTARY PUBLIC**

Sandra M Sabushe  
Purchasing Affidavit (Revised 07/01/2012)



**CERTIFICATION AND SIGNATURE PAGE**

By signing below, I certify that I have reviewed this Solicitation in its entirety; understand the requirements, terms and conditions, and other information contained herein; that I am submitting this bid or proposal for review and consideration; that I am authorized by the bidder to execute this bid or any documents related thereto on bidder's behalf; that I am authorized to bind the bidder in a contractual relationship; and that to the best of my knowledge, the bidder has properly registered with any State agency that may require registration.

Mountaineer Electric Supply, Inc.  
(Company)

Justin W. Thornton  
(Authorized Signature)

Justin W. Thornton - Vice President  
(Representative Name, Title)

304-894-8357      304-894-8359  
(Phone Number)                      (Fax Number)

4/21/14  
(Date)



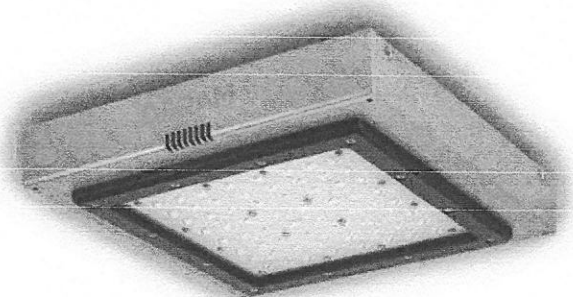


# PermaLED™ Outdoor Luminaires

## Low Profile Canopy Luminaire

### Garage Optics

Catalog # 71939  
 Type PermaLED Canopy  
 Project GSD146813  
 Notes White in Color  
 Date 4/21/14



**Low Profile Canopy**  
**Length:** 12.0" **Width:** 12.0" **Height:** 2.71" **Weight:** 8 lbs.

PermaLED Low Profile LED Canopy luminaires are environmentally preferable, LED alternatives to traditional high-intensity discharge luminaires with up to 175W HID leading to energy savings of up to 74% compared to HID. The nominal 2.7" height of these extremely durable luminaires is less obtrusive making them ideal for entry ways, parking garages and stairwells. The luminaires provide up to 10kV surge protection for effective suppression of most transient AC line surges. Luminaires are ETL listed in the United States and Canada, and backed by a 5 year warranty.

### Specifications

**LED Systems/Electrical:** Offered in 40 and 55 watts, the luminaire is designed to operate through the 120-277 VAC universal voltage range and includes lightning surge protection in each unit, which is effective at suppressing most transient surges on the AC line. The 0-10V driver is control ready.

The LED driver is a constant current device with a high power factor correction to maximize power utilization. The driver meets UL1310 and UL48 Class 2 with built-in over temperature protection. The fixture power factor is  $\geq 90\%$  and THD is  $\leq 20\%$ .

**Optic:** Light distribution is Type V with a single-piece, UV stabilized clear polycarbonate refractor lens.

**Listings:** LM79 reports available; IP 65 Rated optical chamber; UL1310; FCC Part 15 for Class A for conducted and radiated emissions; DLC qualified; RoHS Compliant and ETL listed according to UL1598 for wet locations for the US and Canada; and tested in accordance with IEEE C62.41-2002 Category C low.

**Color Characteristics:** CRI  $> 70$ ; CCT of 4000K and 5000K.

**Installation:** Fixture mounts to recessed outlet box. Pendant mount option available (accessories not included).

**Life:**  $> 100,000$  hours ( $L_{80}$ ).

**Operating Temperature:**  $-20^{\circ}\text{C}$  to  $+45^{\circ}\text{C}$

**Construction:** The luminaire is constructed of a one-piece cast, low copper ( $< 0.4\% \text{Cu}$ ) aluminum alloy. It has TGIC thermoset polyester powder coat paint finish, 2.5-mil nominal thickness; standard colors are bronze, silver and white.

**Warranty:** Standard Five-year outdoor LED Fixture Warranty LED152.

### Comparison

HID Source (System)	LED System	System Energy Savings	HID Source Life	LED Life (Hrs.)
70W HPS (91W)	40W	54%	24,000	100,000
100W HPS (120W)	40W	65%	24,000	100,000
100W MH (130W)	40W	69%	15,000	100,000
150W HPS (170W)	40W	76%	24,000	100,000
150W HPS (170W)	55W	68%	24,000	100,000
150W MH (185W)	40W	78%	15,000	100,000
150W MH (185W)	55W	71%	15,000	100,000
175W MH (208W)	40W	81%	10,000	100,000
175W MH (208W)	55W	74%	10,000	100,000



## Ordering Guide

XXX	L	XX	7	XX	T5	UNV	XX
Product Name LSC= Low Profile	Lamp Type LED	Wattage 40= 40 Watts 55= 55 Watts	CRI CRI>70	Color Temp 40=4000K 50=5000K	Photometric Distribution T5- Type V Distribution	Voltage 120-277V	Finish/ Color BZ= Bronze WH= White SV= Silver

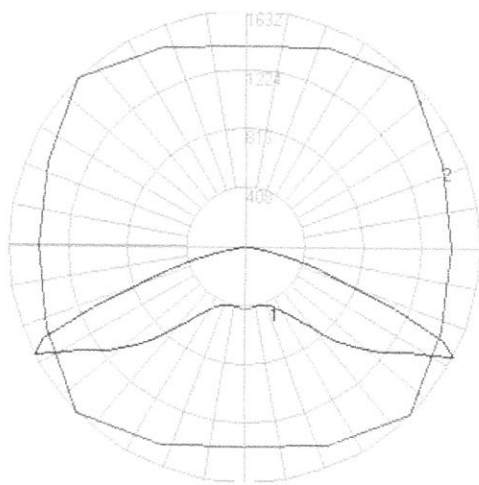
## Ordering Information

Item Number	Ordering Abbreviation	System Wattage (W)	CRI	Color Temp (CCT)	Distribution	Total Fixture Lumens	Lumens per Watt (LPW)	Fixture Color
71936	LSC/L/40/750/T5/UNV/WH	40	>70	5000K	Type V	4500	111	White
71937	LSC/L/55/750/T5/UNV/WH	55	>70	5000K	Type V	6000	106	White
71938*	LSC/L/40/740/T5/UNV/WH	40	>70	4000K	Type V	4500	111	White
71939*	LSC/L/55/740/T5/UNV/WH	55	>70	4000K	Type V	6000	106	White
71940	LSC/L/40/750/T5/UNV/SV	40	>70	5000K	Type V	4500	111	Silver
71941	LSC/L/55/750/T5/UNV/SV	55	>70	5000K	Type V	6000	106	Silver
71942*	LSC/L/40/740/T5/UNV/SV	40	>70	4000K	Type V	4500	111	Silver
71943*	LSC/L/55/740/T5/UNV/SV	55	>70	4000K	Type V	6000	106	Silver
71944	LSC/L/40/750/T5/UNV/BZ	40	>70	5000K	Type V	4500	111	Bronze
71945	LSC/L/55/750/T5/UNV/BZ	55	>70	5000K	Type V	6000	106	Bronze
71946*	LSC/L/40/740/T5/UNV/BZ	40	>70	4000K	Type V	4500	111	Bronze
71947*	LSC/L/55/740/T5/UNV/BZ	55	>70	4000K	Type V	6000	106	Bronze

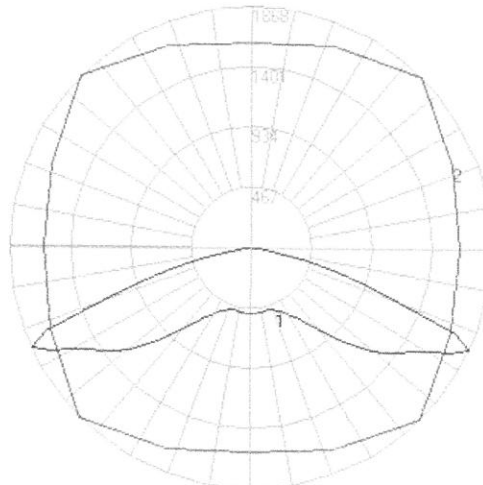
\*Contact your OSRAM SYLVANIA sales representative for more information

## Photometric Information

OSRAM PermaLED™ Low Profile Canopy 40 Watt with Garage Type V Optics



OSRAM PermaLED Low Profile Canopy 55 Watt with Garage Type V Optics



25°C	Lumen Maintenance Factor Operating Hours				L <sub>70</sub> Calculated Hours
	25,000	50,000	75,000	100,000	
40W LPC	0.97	0.95	0.93	0.91	464,536
55W LPC	0.97	0.95	0.93	0.91	464,536
40°C					
40W LPC	0.97	0.95	0.92	0.90	352,722
55W LPC	0.96	0.93	0.89	0.86	245,187

Note: Projected LED Lumen Maintenance

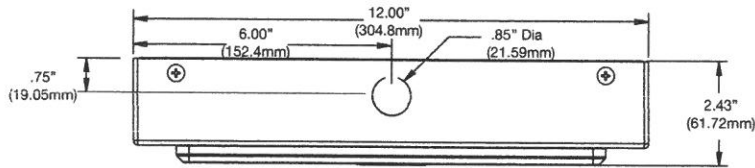
Data references the extrapolated performance projections for the PermaLED Low Profile Canopy in a 25 and 40°C ambient, based on 6,000 hours of LED testing (tested per 80-08 and projected per IESNA TM-21-11).



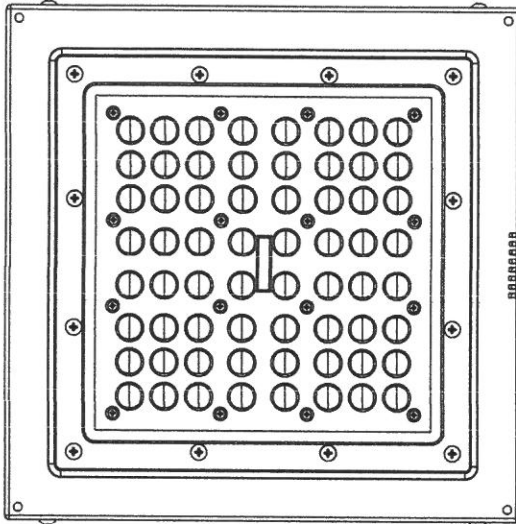
# Mechanical Drawing

## Low Profile Canopy

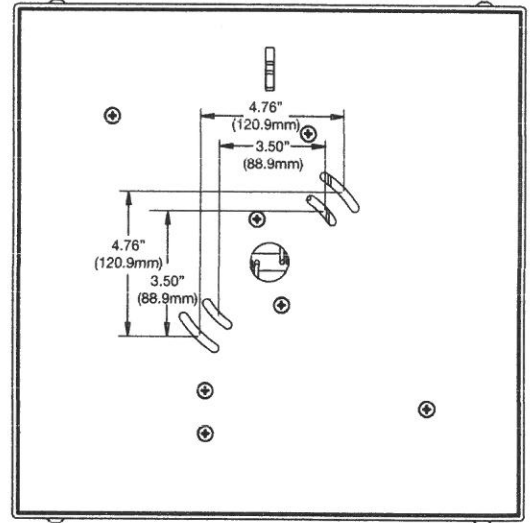
Side View



Front View

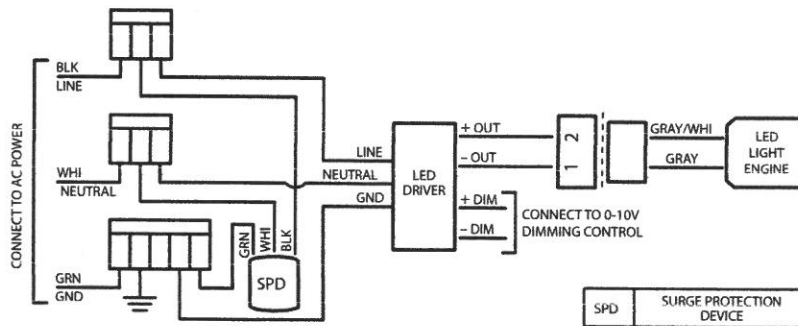


Back View



# Wiring Diagram

## 40 Watt PermaLED™ Low Profile Canopy



## 55 Watt PermaLED Low Profile Canopy

