



State of West Virginia
 Department of Administration
 Purchasing Division
 2019 Washington Street East
 Post Office Box 50130
 Charleston, WV 25305-0130

Solicitation

NUMBER
HUT993

PAGE
1

ADDRESS CORRESPONDENCE TO ATTENTION OF:
TARA LYLE 804-558-2544

VENDOR

*119161134 304-925-0338
 LONGS SECURITY CAMERA SYSTEMS
 102 38TH ST SE
 CHARLESTON WV 25304

SHIP TO

HUTTONSVILLE CORRECTIONAL
 CENTER
 ATTENTION: KEN HOLBROOK
 ROUTE 250 SOUTH
 HUTTONSVILLE, WV
 26273 335-2291

DATE PRINTED
05/16/2013

BID OPENING DATE: 06/05/2013 BID OPENING TIME 1:30PM

LINE	QUANTITY	UOP	CAT NO	ITEM NUMBER	UNIT PRICE	AMOUNT
THE WEST VIRGINIA PURCHASING DIVISION FOR THE AGENCY, WV DIVISION OF CORRECTIONS, IS SOLICITING BIDS FOR DOME CAMERAS, DIGITAL VIDEO RECORDERS AND POWER SUPPLY FOR THE HUTTONSVILLE CORRECTIONAL CENTER, PER THE ATTACHED SPECIFICATIONS. ATTACHMENTS INCLUDE: 1. INSTRUCTIONS TO VENDORS SUBMITTING BIDS 2. GENERAL TERMS AND CONDITIONS 3. HUT993 SPECIFICATIONS 4. CERTIFICATION AND SIGNATURE PAGE 5. PURCHASING AFFIDAVIT 6. RESIDENT VENDOR PREFERENCE (RVP) FORM						
0001	147	EA		655-30		
	DOME CAMERA					
0002	9	EA		840-71		
	DVR					

06/05/13 01:07:55 PM
 West Virginia Purchasing Division

SIGNATURE <i>Alan C. King</i>	TELEPHONE 304-925-0338	DATE 06-05-2013
TITLE Owner	FEIN 20-3881880-001	ADDRESS CHANGES TO BE NOTED ABOVE

WHEN RESPONDING TO SOLICITATION, INSERT NAME AND ADDRESS IN SPACE ABOVE LABELED 'VENDOR'



State of West Virginia
 Department of Administration
 Purchasing Division
 2019 Washington Street East
 Post Office Box 50130
 Charleston, WV 25305-0130

Solicitation

NUMBER
HUT993

PAGE
2

ADDRESS CORRESPONDENCE TO ATTENTION OF
TARA LYLE 304-558-2544

VENDOR

*119161134 304-925-0338
 LONGS SECURITY CAMERA SYSTEMS
 102 38TH ST SE
 CHARLESTON WV 25304

SHIP TO

HUTTONSVILLE CORRECTIONAL
 CENTER
 ATTENTION: KEN HOLBROOK
 ROUTE 250 SOUTH
 HUTTONSVILLE, WV
 26273 335-2291

DATE PRINTED
05/16/2013

BID OPENING DATE: 06/05/2013 BID OPENING TIME 1:30PM

LINE	QUANTITY	UOP	CAT. NO.	ITEM NUMBER	UNIT PRICE	AMOUNT
0003	8	EA		655-27		
	POWER SUPPLY					
***** THIS IS THE END OF RFQ HUT993 ***** TOTAL:						

SIGNATURE <i>Alan E. Spj</i>	TELEPHONE 304-925-0338	DATE 06/05/2013
TITLE Owner	FEIN 20-3881880-001	ADDRESS CHANGES TO BE NOTED ABOVE

WHEN RESPONDING TO SOLICITATION, INSERT NAME AND ADDRESS IN SPACE ABOVE LABELED 'VENDOR'



State of West Virginia
 Department of Administration
 Purchasing Division
 2019 Washington Street East
 Post Office Box 50130
 Charleston, WV 25305-0130

Solicitation

NUMBER
HUT993

PAGE
1

ADDRESS CORRESPONDENCE TO ATTENTION OF:
TARA LYLE 304-558-2544

VENDOR
*119 161134 304-925-0338 LONGS SECURITY CAMERA SYSTEMS 102 38TH ST SE CHARLESTON WV 25304

SHIP TO
HUTTONSVILLE CORRECTIONAL CENTER ATTENTION: KEN HOLBROOK ROUTE 250 SOUTH HUTTONSVILLE, WV 26273 335-2291

DATE PRINTED

05/29/2013

BID OPENING DATE: 06/05/2013

BID OPENING TIME 1:30PM

LINE	QUANTITY	UOP	CAT. NO.	ITEM NUMBER	UNIT PRICE	AMOUNT
				ADDENDUM NO. 1 SEE ATTACHED PAGES. END OF ADDENDUM NO. 1		
0001	147	EA		655-30 DOME CAMERA		
0002	9	EA		840-71 DVR		
0003	8	EA		655-27 POWER SUPPLY		

SIGNATURE *Alan E. King*

TELEPHONE 304-925-0338

DATE 06-05-2013

TITLE Owner FEIN 20-3881880-001

ADDRESS CHANGES TO BE NOTED ABOVE

WHEN RESPONDING TO SOLICITATION, INSERT NAME AND ADDRESS IN SPACE ABOVE LABELED 'VENDOR'

CERTIFICATION AND SIGNATURE PAGE

By signing below, I certify that I have reviewed this Solicitation in its entirety; understand the requirements, terms and conditions, and other information contained herein; that I am submitting this bid or proposal for review and consideration; that I am authorized by the bidder to execute this bid or any documents related thereto on bidder's behalf; that I am authorized to bind the bidder in a contractual relationship; and that to the best of my knowledge, the bidder has properly registered with any State agency that may require registration.

LONG'S Security Camera Systems LLC
(Company)

Alan E Long
(Authorized Signature)

ALAN E Long / Owner
(Representative Name, Title)

304-925-0338 / 304-925-0338
(Phone Number) (Fax Number)

06/05/2013
(Date)

State of West Virginia

VENDOR PREFERENCE CERTIFICATE

Certification and application* is hereby made for Preference in accordance with West Virginia Code, §5A-3-37. (Does not apply to construction contracts). West Virginia Code, §5A-3-37, provides an opportunity for qualifying vendors to request (at the time of bid) preference for their residency status. Such preference is an evaluation method only and will be applied only to the cost bid in accordance with the West Virginia Code. This certificate for application is to be used to request such preference. The Purchasing Division will make the determination of the Resident Vendor Preference, if applicable.

- 1. Application is made for 2.5% resident vendor preference for the reason checked: Bidder is an individual resident vendor and has resided continuously in West Virginia for four (4) years immediately preceding the date of this certification; or, Bidder is a partnership, association or corporation resident vendor and has maintained its headquarters or principal place of business continuously in West Virginia for four (4) years immediately preceding the date of this certification; or 80% of the ownership interest of Bidder is held by another individual, partnership, association or corporation resident vendor who has maintained its headquarters or principal place of business continuously in West Virginia for four (4) years immediately preceding the date of this certification; or, Bidder is a nonresident vendor which has an affiliate or subsidiary which employs a minimum of one hundred state residents and which has maintained its headquarters or principal place of business within West Virginia continuously for the four (4) years immediately preceding the date of this certification; or,
2. Application is made for 2.5% resident vendor preference for the reason checked: Bidder is a resident vendor who certifies that, during the life of the contract, on average at least 75% of the employees working on the project being bid are residents of West Virginia who have resided in the state continuously for the two years immediately preceding submission of this bid; or,
3. Application is made for 2.5% resident vendor preference for the reason checked: Bidder is a nonresident vendor employing a minimum of one hundred state residents or is a nonresident vendor with an affiliate or subsidiary which maintains its headquarters or principal place of business within West Virginia employing a minimum of one hundred state residents who certifies that, during the life of the contract, on average at least 75% of the employees or Bidder's affiliate's or subsidiary's employees are residents of West Virginia who have resided in the state continuously for the two years immediately preceding submission of this bid; or,
4. Application is made for 5% resident vendor preference for the reason checked: Bidder meets either the requirement of both subdivisions (1) and (2) or subdivision (1) and (3) as stated above; or,
5. Application is made for 3.5% resident vendor preference who is a veteran for the reason checked: Bidder is an individual resident vendor who is a veteran of the United States armed forces, the reserves or the National Guard and has resided in West Virginia continuously for the four years immediately preceding the date on which the bid is submitted; or,
6. Application is made for 3.5% resident vendor preference who is a veteran for the reason checked: Bidder is a resident vendor who is a veteran of the United States armed forces, the reserves or the National Guard, if, for purposes of producing or distributing the commodities or completing the project which is the subject of the vendor's bid and continuously over the entire term of the project, on average at least seventy-five percent of the vendor's employees are residents of West Virginia who have resided in the state continuously for the two immediately preceding years.
7. Application is made for preference as a non-resident small, women- and minority-owned business, in accordance with West Virginia Code §5A-3-59 and West Virginia Code of State Rules. Bidder has been or expects to be approved prior to contract award by the Purchasing Division as a certified small, women- and minority-owned business.

Bidder understands if the Secretary of Revenue determines that a Bidder receiving preference has failed to continue to meet the requirements for such preference, the Secretary may order the Director of Purchasing to: (a) reject the bid; or (b) assess a penalty against such Bidder in an amount not to exceed 5% of the bid amount and that such penalty will be paid to the contracting agency or deducted from any unpaid balance on the contract or purchase order.

By submission of this certificate, Bidder agrees to disclose any reasonably requested information to the Purchasing Division and authorizes the Department of Revenue to disclose to the Director of Purchasing appropriate information verifying that Bidder has paid the required business taxes, provided that such information does not contain the amounts of taxes paid nor any other information deemed by the Tax Commissioner to be confidential.

Under penalty of law for false swearing (West Virginia Code, §61-5-3), Bidder hereby certifies that this certificate is true and accurate in all respects; and that if a contract is issued to Bidder and if anything contained within this certificate changes during the term of the contract, Bidder will notify the Purchasing Division in writing immediately.

Bidder: Long's Security Camera Systems LLC Signed: [Signature] Date: 06-05-2013 Title: Owner

AGREEMENT ADDENDUM

In the event of conflict between this addendum and the agreement, this addendum shall control:

1. **DISPUTES** - Any references in the agreement to arbitration or to the jurisdiction of any court are hereby deleted. Disputes arising out of the agreement shall be presented to the West Virginia Court of Claims.
2. **HOLD HARMLESS** - Any provision requiring the Agency to indemnify or hold harmless any party is hereby deleted in its entirety.
3. **GOVERNING LAW** - The agreement shall be governed by the laws of the State of West Virginia. This provision replaces any references to any other State's governing law.
4. **TAXES** - Provisions in the agreement requiring the Agency to pay taxes are deleted. As a State entity, the Agency is exempt from Federal, State, and local taxes and will not pay taxes for any Vendor including individuals, nor will the Agency file any tax returns or reports on behalf of Vendor or any other party.
5. **PAYMENT** - Any references to prepayment are deleted. Payment will be in arrears.
6. **INTEREST** - Any provision for interest or charges on late payments is deleted. The Agency has no statutory authority to pay interest or late fees.
7. **NO WAIVER** - Any language in the agreement requiring the Agency to waive any rights, claims or defenses is hereby deleted.
8. **FISCAL YEAR FUNDING** - Service performed under the agreement may be continued in succeeding fiscal years for the term of the agreement, contingent upon funds being appropriated by the Legislature or otherwise being available for this service. In the event funds are not appropriated or otherwise available for this service, the agreement shall terminate without penalty on June 30. After that date, the agreement becomes of no effect and is null and void. However, the Agency agrees to use its best efforts to have the amounts contemplated under the agreement included in its budget. Non-appropriation or non-funding shall not be considered an event of default.
9. **STATUTE OF LIMITATION** - Any clauses limiting the time in which the Agency may bring suit against the Vendor, lessor, individual, or any other party are deleted.
10. **SIMILAR SERVICES** - Any provisions limiting the Agency's right to obtain similar services or equipment in the event of default or non-funding during the term of the agreement are hereby deleted.
11. **FEES OR COSTS** - The Agency recognizes an obligation to pay attorney's fees or costs only when assessed by a court of competent jurisdiction. Any other provision is invalid and considered null and void.
12. **ASSIGNMENT** - Notwithstanding any clause to the contrary, the Agency reserves the right to assign the agreement to another State of West Virginia agency, board or commission upon thirty (30) days written notice to the Vendor and Vendor shall obtain the written consent of Agency prior to assigning the agreement.
13. **LIMITATION OF LIABILITY** - The Agency, as a State entity, cannot agree to assume the potential liability of a Vendor. Accordingly, any provision limiting the Vendor's liability for direct damages to a certain dollar amount or to the amount of the agreement is hereby deleted. Limitations on special, incidental or consequential damages are acceptable. In addition, any limitation is null and void to the extent that it precludes any action for injury to persons or for damages to personal property.
14. **RIGHT TO TERMINATE** - Agency shall have the right to terminate the agreement upon thirty (30) days written notice to Vendor. Agency agrees to pay Vendor for services rendered or goods received prior to the effective date of termination.
15. **TERMINATION CHARGES** - Any provision requiring the Agency to pay a fixed amount or liquidated damages upon termination of the agreement is hereby deleted. The Agency may only agree to reimburse a Vendor for actual costs incurred or losses sustained during the current fiscal year due to wrongful termination by the Agency prior to the end of any current agreement term.
16. **RENEWAL** - Any reference to automatic renewal is deleted. The agreement may be renewed only upon mutual written agreement of the parties.
17. **INSURANCE** - Any provision requiring the Agency to purchase insurance for Vendor's property is deleted. The State of West Virginia is insured through the Board of Risk and Insurance Management, and will provide a certificate of property insurance upon request.
18. **RIGHT TO NOTICE** - Any provision for repossession of equipment without notice is hereby deleted. However, the Agency does recognize a right of repossession with notice.
19. **ACCELERATION** - Any reference to acceleration of payments in the event of default or non-funding is hereby deleted.
20. **CONFIDENTIALITY** - Any provision regarding confidentiality of the terms and conditions of the agreement is hereby deleted. State contracts are public records under the West Virginia Freedom of Information Act.
21. **AMENDMENTS** - All amendments, modifications, alterations or changes to the agreement shall be in writing and signed by both parties. No amendment, modification, alteration or change may be made to this addendum without the express written approval of the Purchasing Division and the Attorney General.

ACCEPTED BY:

STATE OF WEST VIRGINIA

Spending Unit: _____

Signed: _____

Title: _____

Date: _____

VENDOR

Company Name: Long's Security Camera Systems LLC

Signed: Alan E. Long

Title: Owner

Date: 06-05-2013

REQUEST FOR QUOTATION
HUT993 Surveillance Equipment: Cameras, DVR & Power Supply

000024

BASE BID

HUT993
EXHIBIT A
PRICING PAGE

Item #	Description	Quantity	Unit Price	Extended Total
3.1.1	Dome Cameras IP66 Varifocal lens	147	299.00	\$ 43,953.00
3.1.2	(DVR 31) H.264 Dual Streaming	9	1,425.00	\$ 12,825.00
3.1.3	Power Supply 16 Fuse 24VAC @12.5A	8	133.00	\$ 1,064.00
TOTAL COST:				\$ 57,842.00

Failure to use this form may result in disqualification

Bidder/Vendor Information

Name: Longs Security Camera Systems LLC

Address: 102 38th ST SE

Charleston WV 25304

longscctv@gmail.com

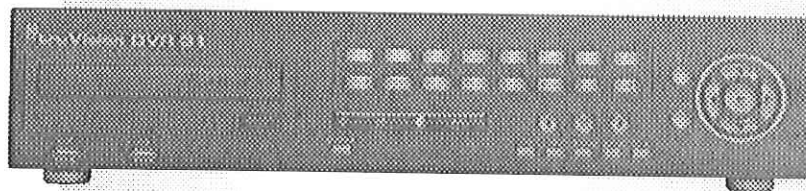
Phone: 304-925-0338

Fax: 304-925-0338

Authorized
Signature: 

DVR 31

H.264 Digital Video Recorder, Dual-Streaming



OVERVIEW

The TruVision™ DVR 31 (TVR 31) features upgraded hardware, larger storage configurations, and new firmware that provides better file structure and support for S.M.A.R.T. HDDs than previous models. The TVR 31 is also supported by mobile applications for remote viewing and access of archived video. A user-friendly interface and more than a month of hard disk recording make the TVR 31 easy to install, use and maintain. Users can efficiently view, record, and play back recorded high-quality video that is transmitted based on alarms, events and recording attributes like schedules. For added convenience, users can configure the DVR, view live video or search and play back video through the IR remote control, mouse, front-panel buttons or the remote browser.

A cost-effective surveillance solution, the TVR 31 features H.264 video compression technology that allows users to save high-quality images into smaller file sizes for easier storage and streaming over an Ethernet network. Any range of recorded video can be easily copied to a blank recordable CD or DVD and played back without installing any software on the playback PC.

The Record Wizard makes programming easy—by entering the number of days to store video, the DVR programs itself. Up to 16 channels of audio can be recorded for applications requiring audio which is played in sync with video. The dual-streaming feature makes it easier to transmit video and audio over low-bandwidth networks.

The TVR 31 is a fit-and-forget solution, with a simple search function for reviewing video. External alarm inputs and motion detection trigger an alarm when movement in a user-definable area of the image is detected. The feature set includes complete search by alarm, motion, and time and date. Video evidence is easily archived to an external device connected through a USB 2.0 port—and because USB 2.0 is hot-swappable, an external device can be connected at any time. Transferring video information is quick and easy, as the TVR 31 creates a file that can be viewed by any PC with a TVR 31 player, making it ideal for retail, education, police interview rooms and small commercial applications.

STANDARD FEATURES

- Support for mobile apps for remote viewing
- New file format improves recovery after power failures
- S.M.A.R.T. HDD technology monitors hard drive health
- Updated browser support: IE 9, Chrome, Firefox, Safari (Mac/PC)
- Enhanced HDMI and VGA support (HDMI supports 1080p monitors)
- Network-friendly dual-streaming means more efficient and flexible video transmission
- Simple one-button archive video via USB 2.0, CD/DVD or download allows convenient remote access to archived video
- Record Wizard facilitates quick, easy configuration and installation—program DVR to record by number of days or by frame rate
- High-quality recording resolutions—CIF, 2CIF, D1—deliver clear images for quick decision making
- Record up to 120 fps NTSC (100 PAL) at D1 for clear images and quick decision making
- Simple, free, pre-configured DDNS makes remote access easy
- Video Authentication ensures video authenticity that can be verified in browser
- Motion-detection recording saves storage space and time required to search for events
- Network capable via Ethernet (TCP/IP) to provide remote monitoring, searching, playback, archiving, configuration, alarm notifications and firmware upgrades
- 16 channels of audio recording
- Bi-directional audio—1 channel allows users to carry on a conversation via remote software over network to DVR
- POS and ATM text insertion (requires ProBridge accessory, sold separately)

DVR 31

H.264 Digital Video Recorder, Dual-Streaming

North America
T 855-286-8899

Asia
T 852-2907-8108

Australia
T 61-3-9239-1203

Europe
T 32-2-725-11-20

Latin America
T 561-998-6114

Specifications

Video & Audio

- 8, 16 video inputs, composite BNC, NTSC/PAL compatible
- Video looping (manual termination)
- Recording resolution: CIF, 2CIF, D1
- Real-time Live on all video channels
- Video compression: H.264
- Watermarking via Digital Signature
- VGA resolutions: 960x600, 1024x768, 1280x1024 pixels. HDMI supports 720P, 1080P
- 16 audio channels, line input
- Bi-directional audio (1 channel), line output
- Recording modes: Schedule, Motion, Alarm, Continuous
- Pre-alarm (up to 30 seconds)
- Video recording quality: 7 preset settings, Record Wizard, Expert Mode
- Motion detection, 12 x 16 grid array, sensitivity, adjustable trigger
- Video loss detection

Electrical

Power source: Internal power supply, Universal, Auto-switching, 100 - 240 VAC, 50/60Hz, 100W
 Buschmann®

- Dimensions (WxHxD): 17.25 x 3.5 x 16.5 in. (438 x 89 x 419 mm)
- 2RU
- Weight: 15.5 lbs. (7 kg)

Connectors

- Main monitor: VGA, S-video & composite BNC, HDMI output
- Spot monitor: composite BNC
- Alarm I/O: Terminal block, 3 output relays
- RS-422/RS-485 terminal block
- Video input: composite BNC, (1 Vp-p 75 Ω) or (1 Vp-p on 75 Ohm), loop through
- Audio I/O: terminal block input, RCA output
- 10/100/1000 Ethernet: RJ-45
- USB 2.0 port, 2 front, 1 back
- RS-232C (D-Sub 9-pin male connector)

Features

- Embedded operating system: Linux
- Easy-to-use Graphical User Interface, supported by mouse and IR remote control
- Network protocols: DHCP, Static, PPPOE, DCNS
- Bandwidth Throttle
- Dual-streaming on live video
- Daylight Saving Time
- One-button Archive: Export video/audio built-in CD/DVD burner or USB devices (USB flash drive or HDD)
- Supports KTD-405 Series keyboards
- PTZ control from front panel, IR remote and software
- PTZ protocols include: Interlogix 485, Interlogix 422, Pelco P & D, AD 422, and others
- Text insertion (ProBridge accessory required, sold separately)
- IR remote control (included with batteries)
- USB mouse (included)

Software

Smartphone

- NetGuard app for iPhone, iPod and iPad (Requires iOS 4.0 or later)
- Live, search and playback
- Quad and full screen view
- Address book
- PTZ control
- Easy to use
- Free

Web Browser

- Easy-to-install ActiveX control in web browser
- View live video, from one camera to all 16 cameras
- Dual-streaming enables low bit rate for low-bandwidth networks
- Search and play back video
- Archive video to client PC
- Remote configuration; Easy-to-program DVR
- via web browser

Minimum System Requirements:

- Intel-compatible PC, 700 MHz or faster
- 1 GB RAM or more
- Windows XP, Vista & 7
- IE 6, 7, 8 or 9
- Chrome, Firefox, Safari (Mac PC) support one channel live and configuration

Video Player

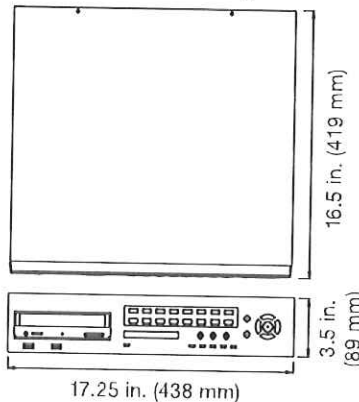
- Play video that was archived from DVR on PC

Minimum System Requirements:

- Intel-compatible PC, 700 MHz or faster
- 1 GB RAM or more
- Windows 7, XP, Vista

See website or contact Technical Support for latest information on system requirements.

Dimensional Diagram



TruVision™ DVR 31 storage tables

16-Channel Models

Storage	30 Days			60 Days			90 Days			
	CIF	2CIF	D1	CIF	2CIF	D1	CIF	2CIF	D1	
2TB HDD	3.75 fps	3.75 fps	1 fps	3.75 fps	1 fps	1 fps	1 fps	1 fps	1 fps	N/A
4TB HDD	15 fps	3.75 fps	3.75 fps	7.5 fps	3.75 fps	1 fps	3.75 fps	1 fps	1 fps	1 fps
6TB HDD	15 fps	7.5 fps	3.75 fps	7.5 fps	3.75 fps	1 fps	7.5 fps	3.75 fps	1 fps	1 fps

8-Channel Models

Storage	30 Days			60 Days			90 Days			
	CIF	2CIF	D1	CIF	2CIF	D1	CIF	2CIF	D1	
1TB HDD	3.75 fps	3.75 fps	1 fps	3.75 fps	1 fps	1 fps	1 fps	1 fps	1 fps	N/A
2TB HDD	15 fps	7.5 fps	3.75 fps	7.5 fps	3.75 fps	1 fps	3.75 fps	1 fps	1 fps	1 fps

Storage table assumes continuous recording for all cameras at highest quality setting in NTSC video format (with audio recording off). Actual storage and frames per second (fps) may vary by application, camera type, and environmental conditions.

Ordering Information

TVR-3133-11	TruVision™ DVR 31, 8 ch, DVD/CD, 1 TB Storage
TVR-3133-21	TruVision DVR 31, 8 ch, DVD/CD, 2TB Storage
TVR-3133-31	TruVision DVR 31, 16 ch, DVD/CD, 2TB Storage
TVR-3133-41	TruVision DVR 31, 16 ch, DVD/CD, 4 TB Storage
TVR-3133-61	TruVision DVR 31, 16 ch, DVD/CD, 6 TB Storage

Specifications subject to change without notice.

© 2012 Interlogix. All rights reserved.

2013-3502 2012/07 (69843)



interlogix.com

UltraView Dome (EVR Series) True Day/Night Rugged Dome, 540 TVL, UTP, BNC, 2.8 mm-10.5 mm AI IR Corrected, PAL,

UVD-EVRDNR-VA2-P

Specifications

Camera

Image sensor	1/3-in. interline transfer Super HAD CCD
Wide Dynamic range	-
Signal System	NTSC or PAL standard
Scanning System	525/50 (NTSC), 625/50 (PAL) 2:1 Interface
Digital Zoom	-
Synchronization	DC Internal/AC Line Lock
Effective Pixels (HXV)	811 x 508 (NTSC), 795 x 598 (PAL)
Horizontal Resolution	540 TVL color
Sensitivity	0.65 lux @ f1.2, 30 IRE
S/N Ratio	> 50 dB
AGC	0 to 36 dB
Gamma Compensation	9 Curves selectable
Composite Output	1.0 Vp-p @ 75 ohms
Frame Integration	-
Privacy Masking	8 areas ON/OFF, 2 colors, position, size adjustable
Mirror	Horizontal
White Balance	ATW/AWB/Manual/PTL
D/N Switching	Auto/Manual
Aperture Correction	0 to 9 steps adjustable
Lens Mount	D-mount
Lens Options	2.8 to 10.5 mm AI I1 2 IR corrected, 9 to 22 mm AI I1 4 IR corrected
Auto Exposure	1/80 (1/50) sec
Manual Exposure	1/80 (1/50), 1/120, 1/250, 1/500, 1/1000, 1/2000, 1/5000, 1/10000 sec

Electrical

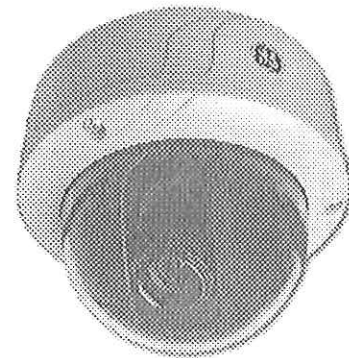
Power Input	12 VDC or 24 VAC
Power consumption	2.5 W (DC) 2.5 W (AC)

Environmental & Physical

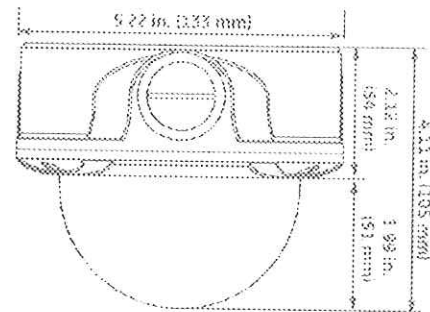
Weight	Rugged Dome 33.8 oz (958 g)
Dimensions	5.22 x 4.11 in. (133 x 105 mm)
Operating Temperature	-30 to 50°C
Weather resistant	IP66

Ordering Information

UVD-EVRDNR-VA2-P	UltraView Dome (EVR Series) True Day/Night Rugged Dome, 540 TVL, UTP, BNC
UVD-EVRDNR-VA9-P	UltraView Dome (EVR Series) True Day/Night Rugged Dome, 540 TVL, UTP, BNC
UVD-EVRDNR-VA2	UltraView Dome (EVR Series) True Day/Night Rugged Dome, 540 TVL, UTP, BNC
UVD-EVRDNR-VA9	UltraView Dome (EVR Series) True Day/Night Rugged Dome, 540 TVL, UTP, BNC



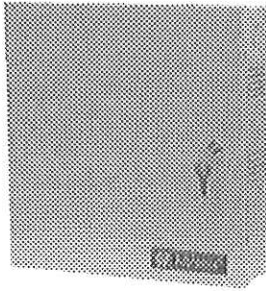
- Digital signal processing
- Excellent performance in most lighting conditions
- True day/night (removable IR cut filter)
- IR-corrected varifocal lenses
- Standard BNC and UTP connections
- Alarm inputs and outputs
- Polycarbonate dome with captive shroud for easy installation, vandal resistance and to conceal camera position
- Heavy-duty indoor/outdoor housing (IP66 rated)
- 12 VDC/24 VAC
- The 3-axis gimble allows wall mounting of the dome while maintaining a level viewing horizon
- Secondary video output inside the dome bubble for local test monitor during setup





ALTV2416300UL AC CCTV Power Supply

Rev. DSALTV2416300UL_10242012



ALTV2416300UL

Overview

ALTV2416300UL provides 24VAC or 28VAC distributed via Sixteen (16) fuse protected outputs for powering CCTV Cameras, heaters and other video accessories.

Specifications

Input:

- 115VAC, 50/60Hz, 2.7 amp.

Output:

- Sixteen (16) fuse protected outputs.
- 24VAC @ 12.5 amp (300VA) supply current
(0.781 amp per device, 3.5 amp max.)
or 28VAC @ 10 amp (280VA) supply current
(0.625 amp per device, 3.5 amp max.).
- Outputs are rated @ 3.5 amp.
- Surge suppression.

Electrical:

- Operating temperature: 0° C to 49° C ambient.
- BTU/Hr.:
 - 24VAC: 153.55 BTU/Hr.
 - 28VAC: 143.31 BTU/Hr.

Electrical (cont'd):

- System AC input VA requirement: 310.5VA.

Features:

- Secondary fuse rated @ 10 amp/250V.
- AC power LED.
- Power ON/OFF switch.
- Spare fuses provided.
(all models w/primary and/or secondary fuses).

Mechanical:

- Enclosure Dimensions (H x W x D approx.):
13.5" (343mm) x 13" (330mm) x 3.25" (83mm)
- Product weight (approx.): 17.1 Lbs (7.756 kg)
- Shipping weight (approx.): 18.1 Lbs (8.21 kg)

Agency Approvals



UL Listed for Commercial CCTV Equipment
(UL 2044).



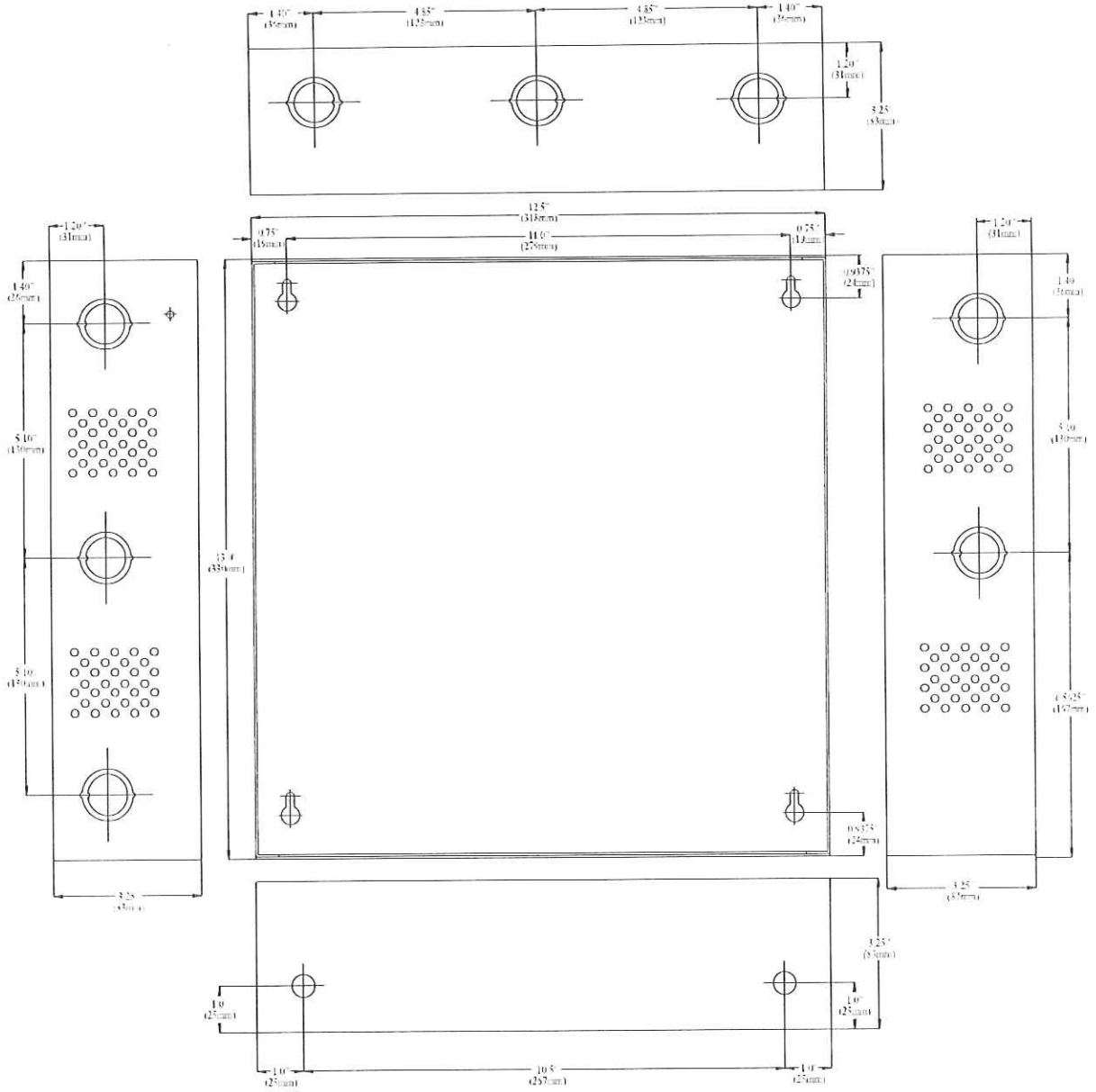
CUL Listed - CSA Standard C22.2 No.1-98,
Audio, Video and Similar Equipment.



European Conformity

Enclosure Dimensions

13.5" (343mm) x 13" (330mm) x 3.25" (83mm)



REQUEST FOR QUOTATION
 HUT993 Surveillance Equipment: Cameras, DVR & Power Supply

VMAX ALTERNATE
 HUT993
 EXHIBIT A
 PRICING PAGE

Item #	Description	Quantity	Unit Price	Extended Total
3.1.1	Dome Cameras IP66 Varifocal lens	147	235.00	\$ 34,545.00
3.1.2	(DVR 31) H.264 Dual Streaming	9	1,081.00	\$ 9,729.00
3.1.3	Power Supply 16 Fuse 24VAC @12.5A	8	133.00	\$ 1,064.00
TOTAL COST:				\$45,338.00

Failure to use this form may result in disqualification

Bidder/Vendor Information

Name: Longs Security Camera Systems LLC

Address: 102 38th ST SE

Charleston WV 25304

longscctv@suddenlink.net

Phone: 304-925-0338

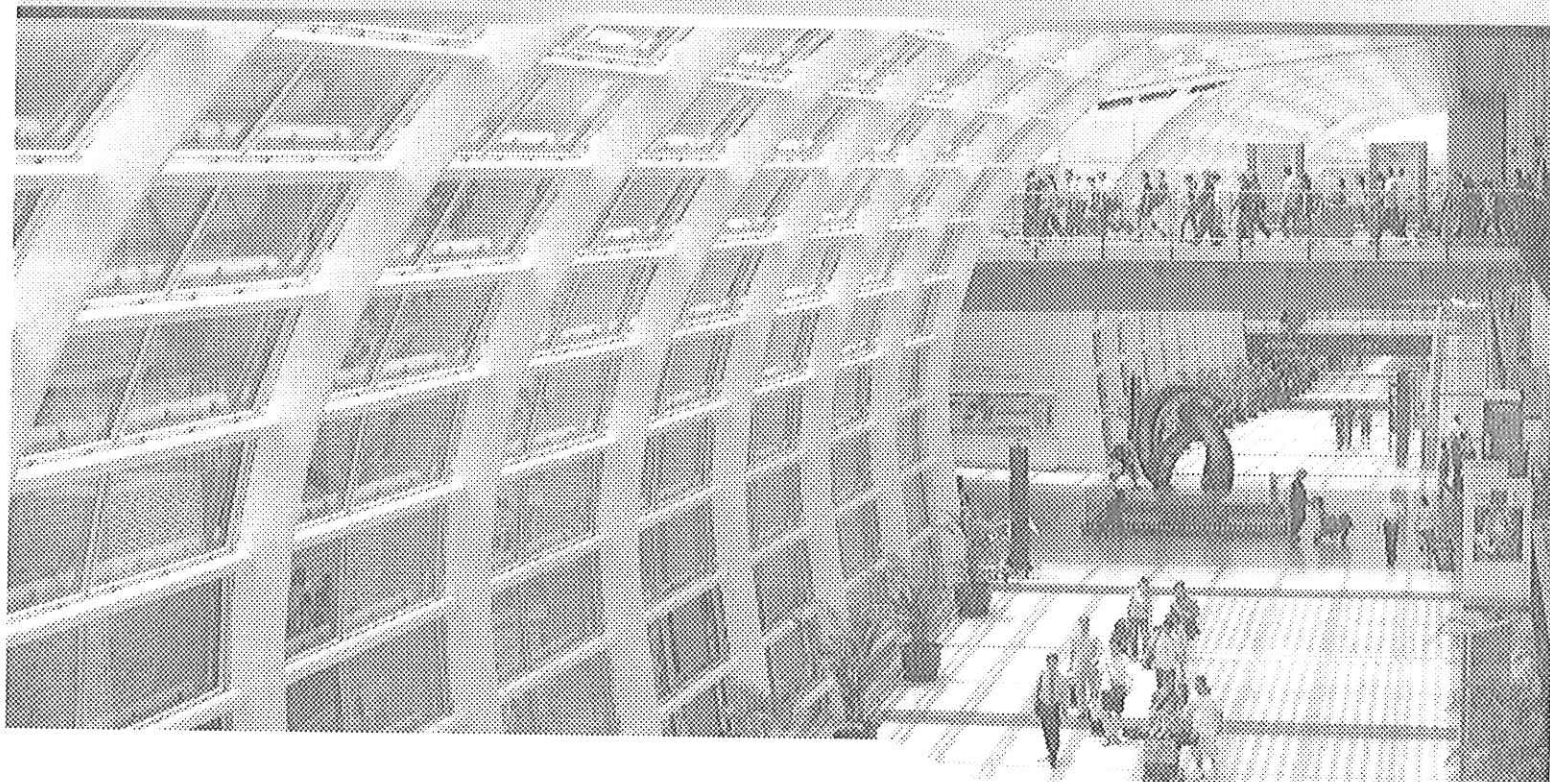
Fax: 304-925-0338

Authorized Signature: Alan E Long

VMAX

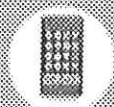
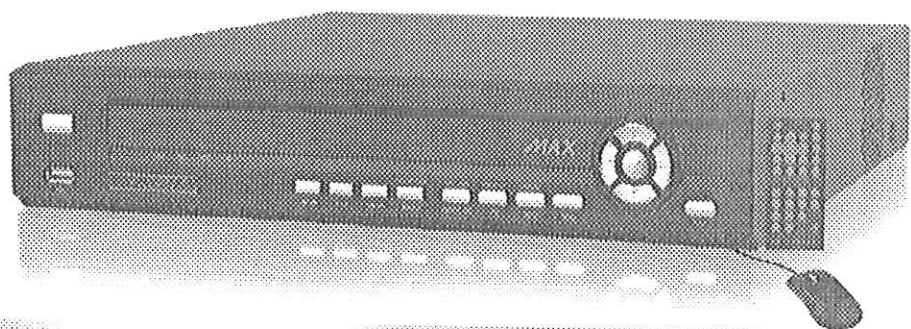
DW DIGITAL
WATCHDOG
Everything's Digital

o Value Max o Maximum Value o Maximum Performance



- o Real-time Viewing and Recording
- o Advanced H.264 DVR
- o Automatic Network Enrollment
- o Plug - n - Play Network
- o Call Monitor

5 Year
United
Warranty



iPhone



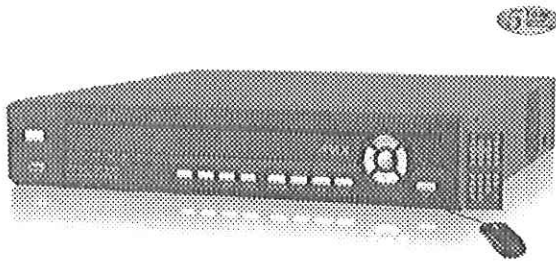
Blackberry



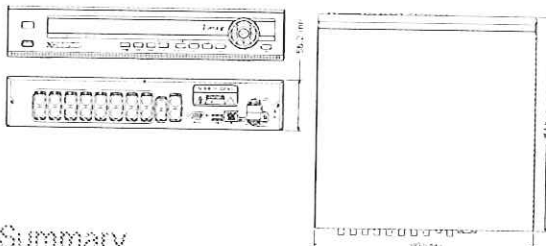
3G Smart phone



MAC Compatible



Dimensions (Unit : mm)



Summary

The VMAX is the most advanced H.264 embedded digital video recorder ever created. Full D1, 2CIF, CIF the highest possible digital recording quality across multiple channels, up to 120fps at All Resolutions. View and control cameras, alarm inputs, graphic mapping, and status of 128 devices simultaneously through our complimentary CMS software platform. The VMAX is available in 4, 8, or 16 channel configurations with basic storage from 500GB expandable up to 4 terabytes.

Features

- Advanced H.264 Linux Embedded DVS
- Multiplex - Live, Playback, Recording, Backup, Network
- 60fps at D1, 740fps at CIF for 8/16CH Models
- 120fps for All Resolutions 4 Video/1ch Audio
- E-mail Event Notifications
- One Touch Video Backup
- One Touch Reverse Playback
- One Touch Emergency Recording
- Covert Channel
- Call Monitor
- Web Based Client w/ Multi User Access
- Automatic Private IP Addressing
- Simple & Free DDNS Support
- NTP (Network Time Protocol)
- Watermark Images
- DVR Health Check w/ Email Notification
- New Help Screen Menu
- Help Menu on Major Function
- Auto Disk Info Recovery
- Configuration Import/Export
- Auto or Manual Firmware Upgrade Available

- 4 Sensor Input, 1 Sensor Output
- Screen Saver to Protect Monitor Screen
- Central Management Software up to 128 ch
- Supports Blackberry, iPhone, Android
- Mac Compatible Remote Software
- USB Mouse, IR Remote Control GUI
- Optional External USB DVD RW or HDD available for Backup
- Up to 2 Internal HDD Inputs (8 and 16channels)
- 5 Year Limited Warranty

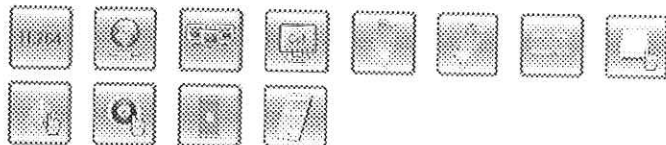
Available Model Numbers:

4 Channel	8 Channel	16 Channel
DW-VMAX 4300C	DW-VMAX 8300C	DW-VMAX 16300C
DW-VMAX 41T	DW-VMAX 81T	DW-VMAX 161T
DW-VMAX 42I	DW-VMAX 82I	DW-VMAX 162I
	DW-VMAX 83T	DW-VMAX 163T
	DW-VMAX 84T	DW-VMAX 164T

Specifications

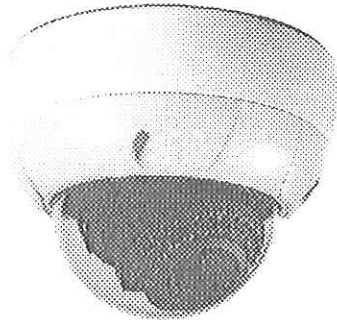
		Video H.264, Audio G.726.1	Video H.264, Audio G.726.1	Video H.264, Audio G.726.1
Compression Algorithm		Video H.264, Audio G.726.1	Video H.264, Audio G.726.1	Video H.264, Audio G.726.1
Video	Input	1Ch	8Ch	16Ch
Display resolution (H/V/FPS)		1280x1024	2K, 1080i	4K, 1080i
Screen Size		1.46" TFT	1.46" TFT	1.46" TFT
Video Cut	Manual		Emergency 115A 15ps	Emergency 115A 15ps
	25A Function	6100/51, 600, 600, 1024, 508, 128x1024 (Selectable)		
Recording Speed (CIF/2CIF/D1)	1/2	120/240fps	240/480fps	480/960fps
	1/4	120/240fps	120/240fps	120/240fps
	D1	120/120fps	60/60fps	30/30fps
Recording Resolution		NTSC: 352x240, 704x480, 720x480 / PAL: 352x288, 720x576, 720x576		
Recording Mode		Continuous, Scheduled, Storage Activated & Motion Detection Recording		
		Full Event Alarm Recording, Pre-Recording		
Playback & Search	Speed	1x, 2x, 4x, 8x, 16x, 32x		
	Function	1-4ch (D1/2CIF/4CIF/1080i)	1-8ch (D1/2CIF/4CIF/1080i)	1-16ch (D1/2CIF/4CIF/1080i)
		Time Base, Calendar Search, Event Search, System Log Search		
Audio Input/Output		1ch Input, 1ch Output		
Alarm Input/Relay Output		4ch / 1ch		
RTZ Control and Port		1ch 4-Relay, 25ch Control, 1ch Relay, 1ch Relay		
		Fan Tri-Zone, Focus, 8ch/16ch Port		
Limitation		10-110 Days Full Event (D1/2CIF/4CIF/1080i), 10-110 Days Full Event (D1/2CIF/4CIF/1080i) Support		
Network Extension	Function	Network Transmission, 2ch per PC		
		Video Dual Stream 2x (D1/2CIF/4CIF/1080i) Network Transmission		
		Live Monitoring, Playback, Backup and Full Backup (Playback, Live, Full)		
		Remote E-Mail Notification, Remote System Control by E		
Mobile Development		Phone, Blackberry, Symbian		
Remote Management	Software	Client (VSA), Client (2PC), Client (3PC) Software		
	Web UI	Live Monitoring, Playback, System Configuration		
	External	Live Backup by USB, Memory Backup, Firmware Backup by USB		
Advanced Functions		Multi-Language, System Upgrade by USB & Network		
		Configuration Import/Export, Restore, Full Backup		
System Operation		Playback, Alarm, System Control, Temperature		
		Front Panel, IR Remote Control, USB Mouse		
Power		12V x 3.3A (D1/4CIF)	12V x 5A (8/16CH)	
Storage Configuration (Hard Drive)		20-40 TB (4, 8, 16)		
Dimension (H/W/D)		220x215x21mm	360x215x21mm	
Operating Temperature and Humidity		5-40°C / 40-85% RH		
Certification		CE, FCC, VCCI, RoHS, KCC		

© 2008 Hikvision. All rights reserved. Hikvision.com



EHD730

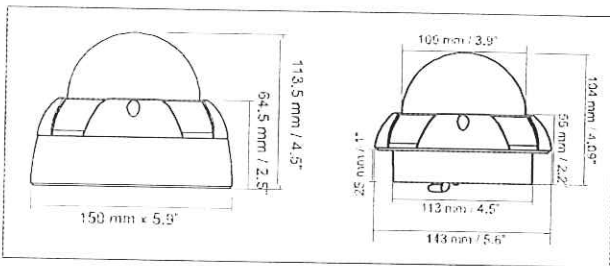
Outdoor True Day/Night IR 3-Axis Vandal Dome Camera



Features

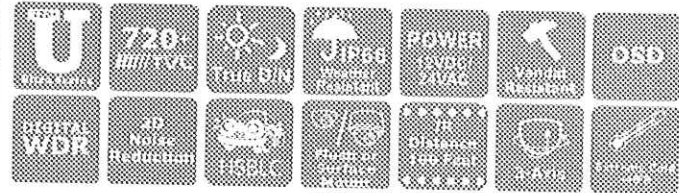
- Ultra resolution of over 720 horizontal TV lines for astounding image quality
- Exview HAD II sensor delivers amazing ultra high sensitivity of .05 lux – very low light sensitivity without DSS low light boost - Zero Ghosting guaranteed
- Megapixel-Varifocal 2.8–12mm lens with external zoom & focus controls captures desired field of view
- Adaptive Tone Curve Reproduction (ATR)/Digital Wide Dynamic Range expansion) to deliver properly exposed images despite unbalanced lighting in the scene
- Provides 2D-Noise Reduction to improve picture clarity while enabling DVRs to improve disk storage utilization
- Easy to use OSD setup menu
- Vandal Resistant construction able to withstand intentional damage
- Digital Wide Dynamic Range expansion to deliver properly exposed images despite bright light sources, deep shadows and/or unbalanced lighting in the same scene
- The flexible angle viewing with its 3 Axis rotation design allows wall or ceiling mounting
- IP66 weather resistant rating means that it will withstand the elements of outdoor conditions
- Up to 100 feet of IR distance

Dimensions: mm/in



Ordering Info

EHD730: Day/Night IR Dome, Beige, 720 TVL, 2.8-12mm



Specifications

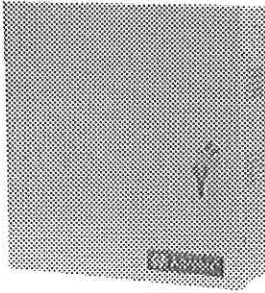
Part Number	EHD730
Pickup Device	1/3" Sony Exview HAD II 960H High Sensitivity Interline CCD
Video Format	NTSC or PAL
Picture Elements	1020 x 508 (NTSC) 1020 x 508 (NTSC)
Effective Pixels (NTSC PAL)	976 x 494 (NTSC) 976 x 582 (PAL)
Scanning System	2:1 Interlace
Horizontal Resolution	720+ TVL
Sensitivity	0 lux with IR on .05 lux native from sensor
S/N Ratio	Over 50dB (AGC off)
Electronic Shutter	1/60s~1/100,000s
Video Output	BNC 1.0Vp-p 75Ω
Gamma Correction	0.45
Lens Type	2.8-12mm Megapixel DC Iris
Lens Options	Varifocal
BLC	OFF/BLC/HSBLC Selectable
Gain Control	Low light auto, bright light auto, manual selectable
White Balance	ATW/One Push/User2/Anti-Crawl/Manual/Push Lock
Sync Mode	Internal (plus Anti-Chroma Crawl White Balance option)
IR Distance	up to 100'
Day/Night	True Day & Night, With motorized IR Cut Filter: choose Color, B/W, Auto
OSD Menu	Multiple Functions
OSD Languages	English, Spanish, Portuguese, German, Russian, Japanese, Chinese, French
Digital Noise Reduction	On/OFF
ATR	On/Off (3 levels each adjustable for luminance and contrast)
Wide Dynamic Range	On/Off (3 levels each adjustable for luminance and contrast)
Mirror	Off/On
Motion Detection	Off/On for 4 selectable zones (On screen indication on alarm)
Privacy Mask	Off/On for 4 selectable zones
Environmental	IP66 Weather Resistant
Power Source	12VDC/24VAC
Power Consumption	2.16W max 2.9W max
Operating Temp	-40°F~122°F -40°C~50°C
Dimensions (In mm)	Surface: 6.14" (156mm) dia. x 5.1" (129.5mm) high Flush: 5.63" (143mm) dia. X 3.11" (79mm) visible & .98" (25mm) behind surface
Weight (lbs gm)	3 lbs 1360g
Vandal	Vandal
Certifications	CE/FCC





ALTV2416300UL AC CCTV Power Supply

Rev. DSALTV2416300UL_10242012



ALTV2416300UL

Overview

ALTV2416300UL provides 24VAC or 28VAC distributed via Sixteen (16) fuse protected outputs for powering CCTV Cameras, heaters and other video accessories.

Specifications

Input:

- 115VAC, 50/60Hz, 2.7 amp.

Output:

- Sixteen (16) fuse protected outputs.
- 24VAC @ 12.5 amp (300VA) supply current (0.781 amp per device, 3.5 amp max.) or 28VAC @ 10 amp (280VA) supply current (0.625 amp per device, 3.5 amp max.).
- Outputs are rated @ 3.5 amp.
- Surge suppression.

Electrical:

- Operating temperature: 0° C to 49° C ambient.
- BTU/Hr.:
 - 24VAC: 153.55 BTU/Hr.
 - 28VAC: 143.31 BTU/Hr.

Electrical (cont'd):

- System AC input VA requirement: 310.5VA.

Features:

- Secondary fuse rated @ 10 amp/250V.
- AC power LED.
- Power ON/OFF switch.
- Spare fuses provided.
(all models w/primary and/or secondary fuses).

Mechanical:

- Enclosure Dimensions (H x W x D approx.): 13.5" (343mm) x 13" (330mm) x 3.25" (83mm)
- Product weight (approx.): 17.1 Lbs (7.756 kg)
- Shipping weight (approx.): 18.1 Lbs (8.21 kg)

Agency Approvals



UL Listed for Commercial CCTV Equipment (UL 2044).



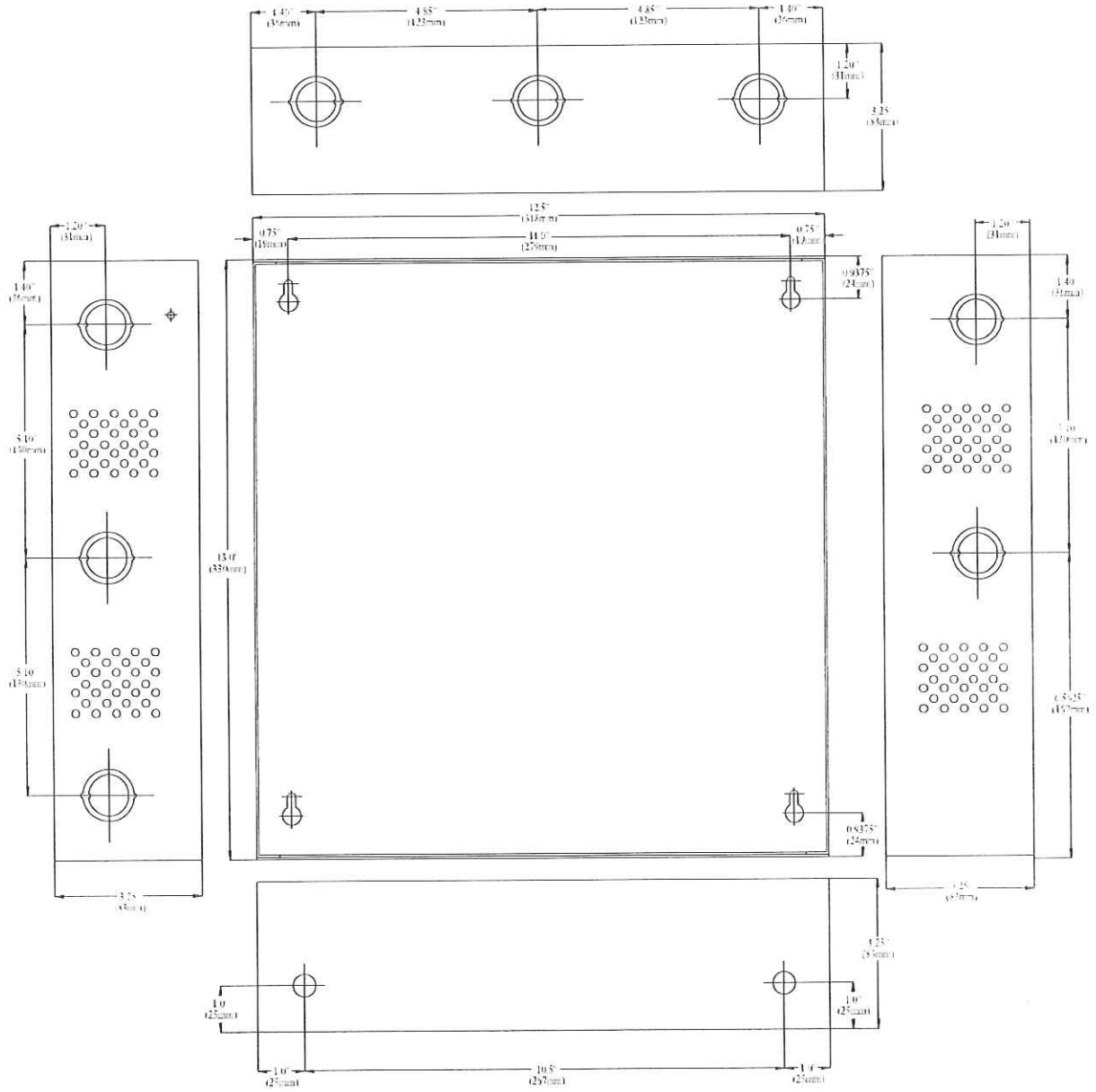
CUL Listed - CSA Standard C22.2 No.1-98, Audio, Video and Similar Equipment.



European Conformity

Enclosure Dimensions

13.5" (343mm) x 13" (330mm) x 3.25" (83mm)



REQUEST FOR QUOTATION
HUT993 Surveillance Equipment: Cameras, DVR & Power Supply

000021

Honeywell Alternate

HUT993
EXHIBIT A
PRICING PAGE

Item #	Description	Quantity	Unit Price	Extended Total
3.1.1	Dome Cameras IP66 Varifocal lens	147	235.00	\$ 34,545.00
3.1.2	(DVR 31) H.264 Dual Streaming	9	915.00	\$ 8,235.00
3.1.3	Power Supply 16 Fuse 24VAC @12.5A	8	133.00	\$ 1,064.00
TOTAL COST:				\$ 43,844.00

Failure to use this form may result in disqualification

Bidder/Vendor Information

Name: Longs Security Camera Systems LLC

Address: 102 38th ST SE

Charleston WV 25304

longscctv@suddenlink.net

Phone: 304-925-0388

Fax: 304-925-0338

Authorized Signature: Allen E Long

HRG Performance Series DVR

www.honeywellvideo.com

480 IPS (NTSC) 4, 8, 16 CHANNEL EMBEDDED DIGITAL VIDEO RECORDER

The HRG series digital video recorder (DVR) offers clear crisp video using H.264 video compression and supports a high-end feature set that exceeds the needs of many surveillance applications at a very economical price!

Recording at a rate of up to 480 (16ch), 240 (8ch), or 120 (4ch) images per second 4CIF real-time NTSC video, the HRG DVR supports a wide variety of capabilities such as smartphone remote access (apps for Apple iPhone[®] and Android), mouse control, IR remote control, and multiple search engines to quickly find the evidence video. In addition to remote access from iPhone and Android devices, HRG can be remotely accessed via a Web browser or by using multi-site remote access software.

Two USB ports enable intuitive mouse control and simultaneous DVR operations such as backing up video evidence files onto USB media. A viewer is included with each clip, making it easy for investigators to view video evidence. HRG supports continuous and event recording and is configurable per channel. HRG can also be configured to record upon detection of motion within a user-specified area. Recording upon detection of motion can be used to maximize storage efficiency.

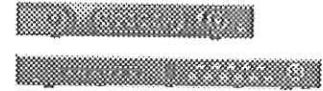
Market Opportunities

Supporting an advanced feature set and low pricing, HRG is an ideal DVR for a wide variety of surveillance applications including small- to medium-sized retail outlets, apartment buildings, warehouses, and educational facilities. HRG is well suited to support applications that rely on capturing maximum detail of activity through building entrances and exits, and clear video playback.

Remote access from mobile and fixed locations opens up many new application possibilities for HRG. Business owners on the move in this highly mobile society can check in on their businesses from virtually any location with Internet access.

Features

- H.264 video compression
- 4CIF resolution @ real-time record rates
- 4, 8, or 16 video inputs
- 4 audio inputs, 1 audio output
- Remote access from iPhone[®] and Android devices
- Remote access via Internet Explorer web browser and multi-site software.
- Continuous recording during playback and during transmission to remote site
- Infrared Remote Control included
- Mouse included for DVR control via front panel
- 2 (front & rear panel) USB 2.0 ports
- PTZ dome control for a wide variety of protocols
- Self-diagnostics including hard disk drive S.M.A.R.T. monitoring

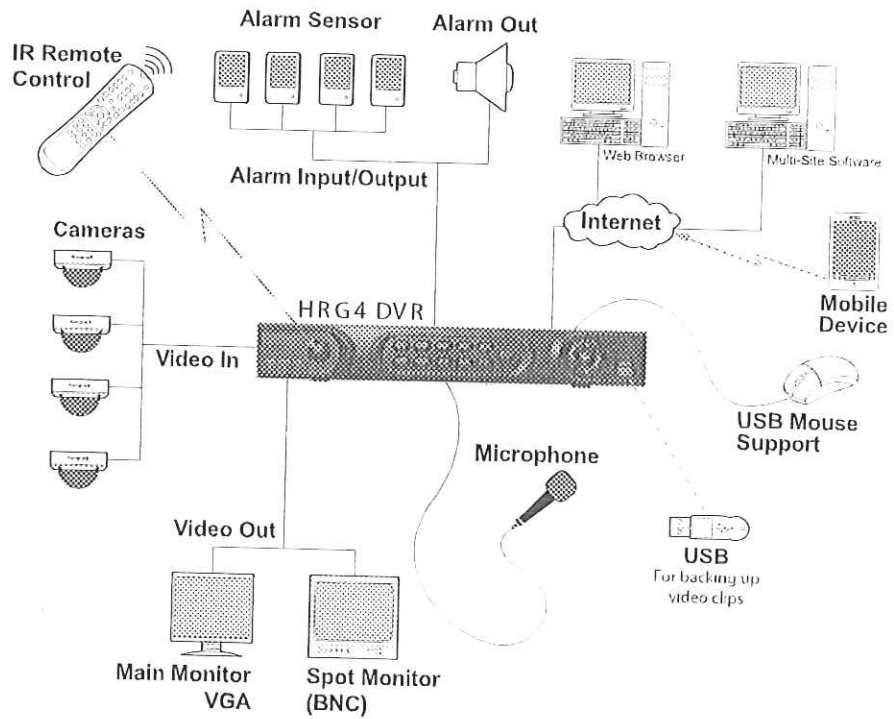


HRG Performance Series DVR

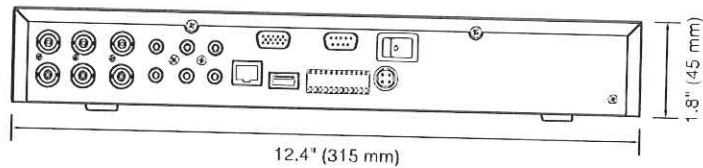
www.honeywellvideo.com

DRAWINGS

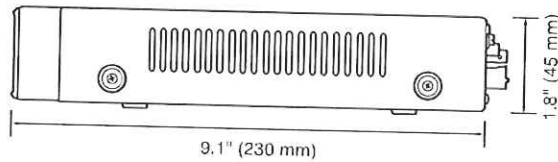
System Diagram



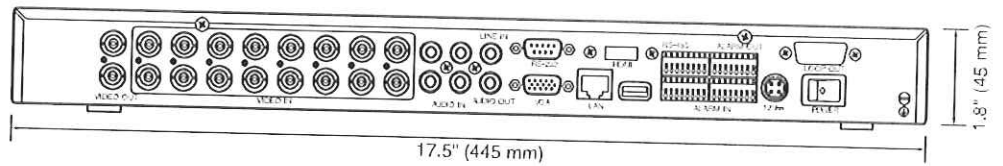
4-Channel DVR Rear View



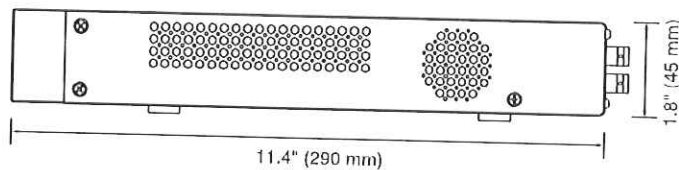
4-Channel DVR Side View



8/16-Channel DVR Rear View (16-channel DVR shown)



8/16-Channel DVR Side View



HRG Performance Series DVR

www.honeywellvideo.com

SPECIFICATIONS

Remote Access	
Sessions Maximum per HRG recorder	24 simultaneous connections: live view, search, playback
Administration: DVR configuration	One at a time
PTZ control	One at a time controlling PTZ
Compatibility	Windows XP, Windows 7 Mobile apps: Apple iPhone®, Android
Recorder Unit	
Video Standard	NTSC or PAL software selectable
Color Control	Brightness, contrast, saturation, and hue
Recording and Transmission Compression Algorithm	H.264
Record Mode	(FIFO) Continuous buffer
Recording Capacity	Hard drive capacities up to 1TB, see ordering section for details
Recording Rate @ 4CIF (Global)	Up to 480 ips (NTSC), model dependant
Video Resolution Settings	Main stream: 4CIF/2CIF/CIF Sub stream: CIF/QCIF
Video Motion Detection	Configurable zone detection area and sensitivity
Event Recording and Reporting	Input via alarm i/p contacts, and motion. Reporting via alarm o/p contact. Email notification
Removable Media	2 - USB ports
Still Image	JPEG file using Remote Access
Front Panel Control	Intuitive operation supports IR Remote Control and mouse
DHCP Enabled	DHCP or Static IP entry
Port number set-up	Individual entries for Server, HTTP, SMTP
PTZ Protocols Support	Supports multiple PTZ protocols
Language Support	English
Connections	
Video Input	4/8/16. BNC 1 Vp-p @ 75 ohms
Video Output	1 - Composite main monitor, BNC 1 Vp-p @ 75 ohms 1 - VGA Main Monitor 1 - Spot BNC 1 Vp-p @ 75 ohms
Audio Input/Output	Input: 4 channel, line level Output: 1 channel, line level
Sensor Inputs General Purpose	4 inputs (4ch) – terminal block 8 inputs (8ch) – terminal block 16 inputs (16ch) – terminal block
Control Outputs	1 – relay out (4ch); NC/NO terminal block 4 – relay out (8 & 16ch); NC/NO terminal block
Serial Ports	2 – USB (2.0) ports: one via front panel and another via rear panel 1 – RS485 terminal block 1 – RS232
Primary Storage	SATA HDD
Networking	RJ45 10M/100M self-adaptive Ethernet interface

Electrical	
Input Voltage	12 VDC power adapter
Power Consumption	HRG4 and HRG8 25 W (max) HRG16 30 W (max)
Mechanical	
Dimensions (W x D x H)	4ch unit: 12.4 x 9.1 x 1.8 in. (315 x 230 x 45 mm) 8/16ch unit: 17.5 x 11.4 x 1.8 in. (145 x 290 x 45 mm)
Weight	HRG4 ≤ 5.7 lbs (≤ 2.6 kg) HRG8 and HRG16 ≤ 10.1 lbs (≤ 4.6 kg)
Construction	Housing: Steel chassis
Environmental	
Temperature	Operating: 32°F to 104°F (-10°C to 55°C) Storage: -22°F to 176°F (-30°C to 80°C)
Relative Humidity	10% to 90%, non-condensing
Regulatory	
Emissions	FCR Part 15B, Class A
Immunity	EN50130-4:1995+A1:1998+A2:2003
Safety	CSA III 60956-1, 2nd Edition

NOTE: Honeywell reserves the right, without notification, to make changes in product design or specifications.

HRG Performance Series DVR

www.honeywellvideo.com

ORDERING

Recommended Accessories	
HRG DVR	
HRGRC	Spare IR Remote Control
HRGPS	Spare external adapter power supply
HRG4PS	Spare adapter power supply 4-channel DVR
HRG8PS	Spare adapter power supply 8-channel DVR
HRG16PS	Spare adapter power supply 16-channel DVR
Monitors	
HMLCD19L	19" L-Series Color LCD Monitor (VGA)
HMLCD17L	17" L-Series Color LCD Monitor (VGA)
Cameras	
HB73P	IR bullet, super high resolution, True Day/Night
HD73P	Minidome, super high resolution, True Day/Night
HD70P	Minidome, super high resolution, day/night, IR LEDs
ACUIX ^{HD}	High-performance PTZ camera
Surge Protection	
HCSF1	Camera surge protector
HDSF1	PTZ dome surge protector

Ordering	
HRG45	4-Channel DVR, 500 GB HD
HRG41	4-Channel DVR, 1 TB HD
HRG85	8-Channel DVR, 500 GB HD
HRG81	8-Channel DVR, 1 TB HD
HRG161	16-Channel DVR, 1 TB HD

Apple and iPhone are trademarks of Apple Inc.

Automation and Control Solutions
 Honeywell Systems
 2700 Blankenbaker Pkwy, Suite 150
 Louisville, KY 40299
 1.800.323.4576
 www.honeywell.com

LHRGSDVR-D
 July 2012
 © 2012 Honeywell International Inc.

EHD730

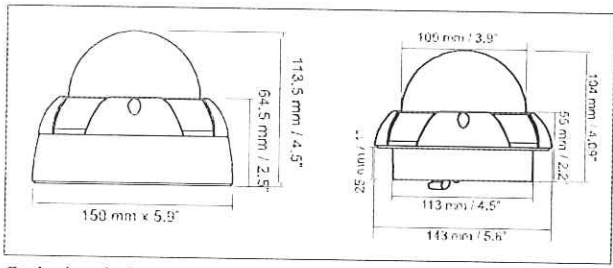
Outdoor True Day/Night IR 3-Axis Vandal Dome Camera



Features

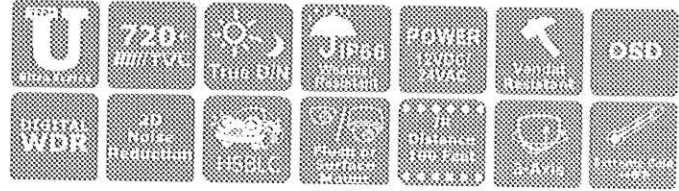
- Ultra resolution of over 720 horizontal TV lines for astounding image quality
- Exview HAD II sensor delivers amazing ultra high sensitivity of .05 lux – very low light sensitivity without DSS low light boost - Zero Ghosting guaranteed
- Megapixel-Varifocal 2.8~12mm lens with external zoom & focus controls captures desired field of view
- Adaptive Tone Curve Reproduction (ATR)/Digital Wide Dynamic Range expansion) to deliver properly exposed images despite unbalanced lighting in the scene
- Provides 2D-Noise Reduction to improve picture clarity while enabling DVRs to improve disk storage utilization
- Easy to use OSD setup menu
- Vandal Resistant construction able to withstand intentional damage
- Digital Wide Dynamic Range expansion to deliver properly exposed images despite bright light sources, deep shadows and/or unbalanced lighting in the same scene
- The flexible angle viewing with its 3 Axis rotation design allows wall or ceiling mounting
- IP66 weather resistant rating means that it will withstand the elements of outdoor conditions
- Up to 100 feet of IR distance

Dimensions: mm/in



Ordering Info

EHD730: Day/Night IR Dome, Beige, 720 TVL, 2.8-12mm



Specifications

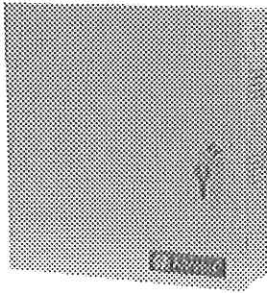
Part Number	EHD730
Pickup Device	1/3" Sony Exview HAD II 960H High Sensitivity Interline CCD
Video Format	NTSC or PAL
Picture Elements	1020 x 508 (NTSC) 1020 x 508 (NTSC)
Effective Pixels (NTSC PAL)	976 x 494 (NTSC) 976 x 582 (PAL)
Scanning System	2:1 Interlace
Horizontal Resolution	720+ TVL
Sensitivity	0 lux with IR on .05 lux native from sensor
S/N Ratio	Over 50dB (AGC off)
Electronic Shutter	1/60s~1/100,000s
Video Output	BNC 1.0Vp-p 75Ω
Gamma Correction	0.45
Lens Type	2.8-12mm Megapixel DC Iris
Lens Options	Varifocal
BLC	OFF/BLC/HSBLC Selectable
Gain Control	Low light auto, bright light auto, manual selectable
White Balance	ATW/One Push/User2/Anti-Crawl/Manual/Push Lock
Sync Mode	Internal (plus Anti-Chroma Crawl White Balance option)
IR Distance	up to 100'
Day/Night	True Day & Night, With motorized IR Cut Filter; choose Color, B/W, Auto
OSD Menu	Multiple Functions
OSD Languages	English, Spanish, Portuguese, German, Russian, Japanese, Chinese, French
Digital Noise Reduction	On/OFF
ATR	On/Off (3 levels each adjustable for luminance and contrast)
Wide Dynamic Range	On/Off (3 levels each adjustable for luminance and contrast)
Mirror	Off/On
Motion Detection	Off/On for 4 selectable zones (On screen indication on alarm)
Privacy Mask	Off/On for 4 selectable zones
Environmental	IP66 Weather Resistant
Power Source	12VDC/24VAC
Power Consumption	2.16W max 2.9W max
Operating Temp	-40°F~122°F -40°C~50°C
Dimensions (in mm)	Surface: 6.14" (156mm) dia. x 5.1" (129.5mm) high Flush: 5.63" (143mm) dia. X 3.11" (79mm) visible & .98" (25mm) behind surface
Weight (lbs gm)	3 lbs 1360g
Vandal	Vandal
Certifications	CE/FCC





ALTV2416300UL AC CCTV Power Supply

Rev. DSALTV2416300UL_10242012



ALTV2416300UL

Overview

ALTV2416300UL provides 24VAC or 28VAC distributed via Sixteen (16) fuse protected outputs for powering CCTV Cameras, heaters and other video accessories.

Specifications

Input:

- 115VAC, 50/60Hz, 2.7 amp.

Output:

- Sixteen (16) fuse protected outputs.
- 24VAC @ 12.5 amp (300VA) supply current (0.781 amp per device, 3.5 amp max.) or 28VAC @ 10 amp (280VA) supply current (0.625 amp per device, 3.5 amp max.).
- Outputs are rated @ 3.5 amp.
- Surge suppression.

Electrical:

- Operating temperature: 0° C to 49° C ambient.
- BTU/Hr.:
 - 24VAC: 153.55 BTU/Hr.
 - 28VAC: 143.31 BTU/Hr.

Electrical (cont'd):

- System AC input VA requirement: 310.5VA.

Features:

- Secondary fuse rated @ 10 amp/250V.
- AC power LED.
- Power ON/OFF switch.
- Spare fuses provided.
(all models w/primary and/or secondary fuses).

Mechanical:

- Enclosure Dimensions (H x W x D approx.): 13.5" (343mm) x 13" (330mm) x 3.25" (83mm)
- Product weight (approx.): 17.1 Lbs (7.756 kg)
- Shipping weight (approx.): 18.1 Lbs (8.21 kg)

Agency Approvals



UL Listed for Commercial CCTV Equipment (UL 2044).



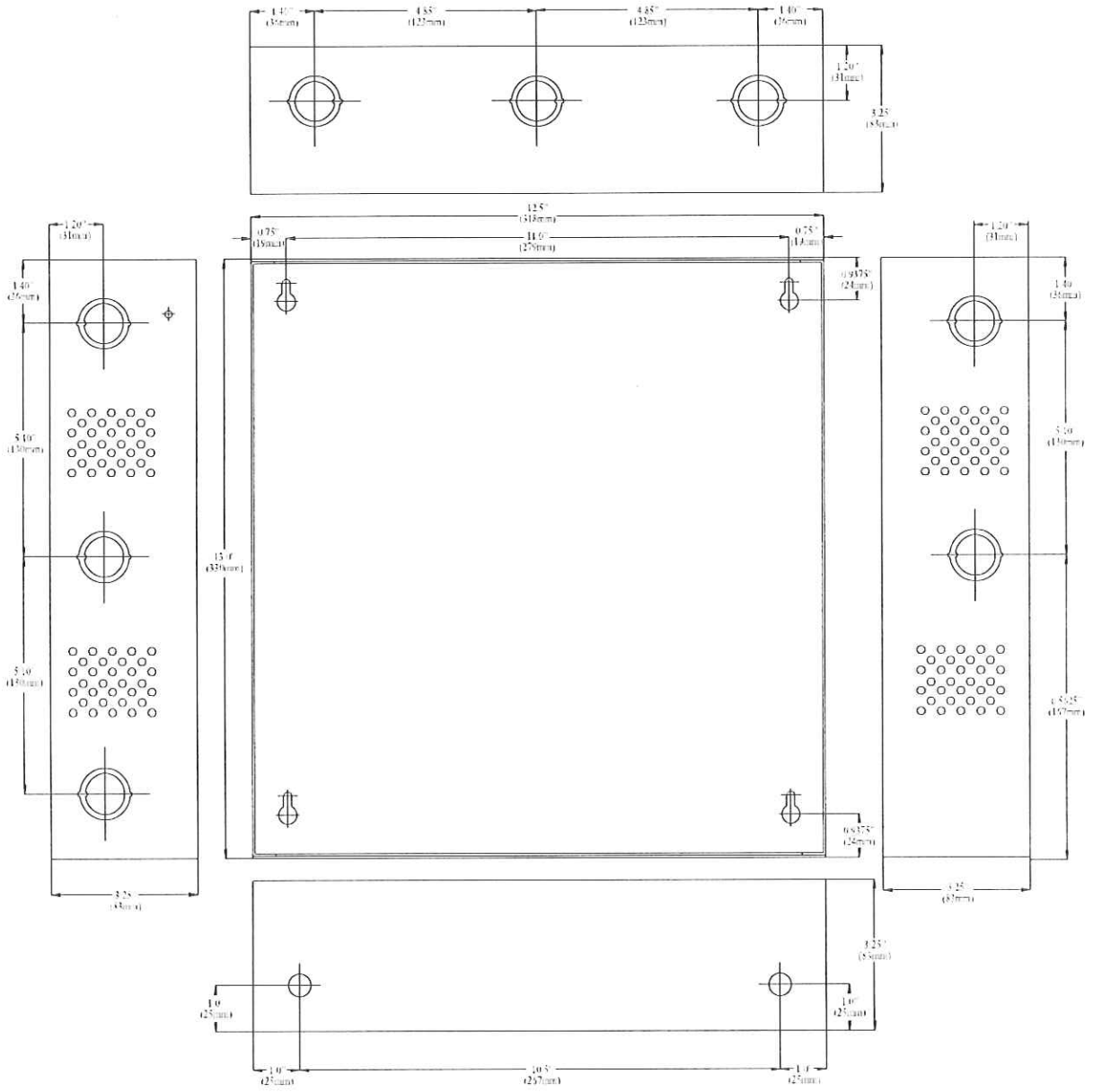
CUL Listed - CSA Standard C22.2 No.1-98, Audio, Video and Similar Equipment.



European Conformity

Enclosure Dimensions

13.5" (343mm) x 13" (330mm) x 3.25" (83mm)



REQUEST FOR QUOTATION
HUT993 Surveillance Equipment: Cameras, DVR & Power Supply

NUVICO ALTERNATE

HUT993
EXHIBIT A
PRICING PAGE

Item #	Description	Quantity	Unit Price	Extended Total
3.1.1	Dome Cameras IP66 Varifocal lens	147	240.00	\$ 35,280
3.1.2	(DVR 31) H.264 Dual Streaming	9	1,437.50	\$ 12,937.50
3.1.3	Power Supply 16 Fuse 24VAC @12.5A	8	133	\$ 1,064.00
TOTAL COST:				\$ 49,281.50

Failure to use this form may result in disqualification

Bidder/Vendor Information

Name: Long's Security Camera Systems LLC

Address: 102 38th ST SE.

Charleston WV 25304

longscctv@suddenlink.net

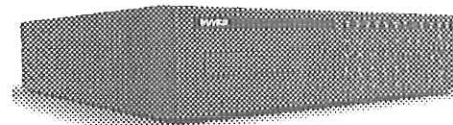
Phone: 304-925-0338

Fax: 304-925-0338

Authorized Signature: 



EasyNet™ Pro Series ED-P400/P800/P1600



Product Description

- Available in 4, 8, & 16-ch
- Embedded Linux operating system
- Pentaplex function - simultaneous live / record / playback / network / file copy
- Recording compression method: H.264
- Real-time recording per channel
- Multiple monitor outputs & Looping video outputs
- DVR control options: Front panel, IR remote, PC mouse, Keyboard (CK-1000)
- File copy method: Built-in DVD burner or USB flashdrive
- Multi-channel audio support
- Watermark
- Time synchronization between multiple DVRs
- Firmware upgrade via USB or network
- VMS Pro - Windows PC & Mac compatible
- Free mobile app
- Free DDNS service

Advanced Features



Multi-Layer Streaming™

When monitoring live over a network, EasyNet™ DVRs transmit 3 video streams simultaneously for optimal network performance. Independent of the actual frame rate and resolution being recorded by the DVR, these secondary and tertiary streams represent an ideal solution for low bandwidth environments such as DSL and 3G networks.

- Primary Stream (H.264): User defined recording frame rate & resolution per channel
- Secondary Stream (H.264): 2pps @ CIF per channel(Fixed)
- Third Stream (M-JPEG): 2pps @ CIF per channel(Fixed)



Copy Files & Playback from DVR

For your convenience, recorded files can be copied and archived to a USB flashdrive or CD/DVD in multiple formats.

- NVF (NUVICO File System) - Our new proprietary & tamper proof file system, also allows playback from any EasyNet™ DVR
- EXE (NVF w/ mini player)
- MP4 - A standard format where copied files can be reviewed from Windows PC or Mac, without using any 3rd party software



Widescreen Support (16:9)

New EasyNet™ DVRs utilize the latest HD Mux & Decoder chip sets available. Designed to accommodate modern-day HD widescreen monitors, EasyNet™ DVRs deliver industry-leading display resolution.



EasyNet Touch™ - Free Mobile App

NUVICO's new app allows the user to access video streams directly from EasyNet™ DVRs to their handheld devices over Wi-Fi or 3G/4G networks. In addition to remote video monitoring, our powerful app incorporates many advanced features required in everyday security environments:

- Display up to 16 cameras in both live view & playback
- Favorite camera group setup from multiple DVRs
- Instant playback
- Time Search
- DVR status icons - Recording On/Off, Alarm, Video Loss & HDD fail
- PTZ controls



Multi-Layer Recording™

A derivative of NUVICO's exclusive Multi-Layer Streaming™ technology, Multi-Layer Recording allows a user to quickly review recorded files over a network, which is as important as live video monitoring. Multi-Layer Recording™ gives you the option to record 3 independent video streams in tandem. This powerful function makes faster remote search and playback possible. This feature is especially useful when performing multi-channel playback over a low bandwidth network.

- Primary Stream (H.264): User defined recording frame rate & resolution per channel
- Secondary Stream (H.264): 6pps @ CIF per channel (Fixed)
- Third Stream (M-JPEG): 2pps @ CIF per channel (Fixed)



RTSP: Real Time Streaming Protocol

In addition to Multi-Layer Streaming™, we have integrated an RTSP server into the new EasyNet™ DVRs. RTSP enables an unlimited number of users to access live video streams using a common media player such as QuickTime™, which is available for both a Windows PC and Mac. Simple but effective, this is an ideal approach to applications requiring a large number of simultaneous users, such as a university campus, construction site, day-care center, pet shop, marina, and the like.



EasyNet™ VMS Pro

Our new multi-site management software exclusively developed for new EasyNet™ DVRs, as well as our upcoming EasyNet™ IP cameras and NVRs. Built on a universal software platform, EasyNet™ VMS Pro works flawlessly on both a Windows PC and Mac.

- Register and manage up to 1,000 DVR sites
- View up to 128 cameras from multiple sites simultaneously
- Memory reserve for event and system status log - 10,000 events
- Intelligent PC resource & network bandwidth management
- E-map
- 2 - way Audio
- Multiple monitor support
- Windows PC & Mac compatible

Technical Specifications

EasyNet™ Pro Series	ED-P400	ED-P800	ED-P1600
Video Format	NTSC / PAL Auto Detect	NTSC / PAL Auto Detect	NTSC / PAL Auto Detect
Video Compression	H.264	H.264	H.264
Operating System	Embedded Linux	Embedded Linux	Embedded Linux
Pentaplex Function	Simultaneous Live / Record / Network / Playback / File Copy		
Video Input / Loop Output	4 / 4	8 / 8	16 / 16
Maximum Recording Rate & Resolution	120pps @ CIF	240pps @ CIF	480pps @ CIF
	120pps @ 2CIF	240pps @ 2CIF	240pps @ 2CIF
	120pps @ 4CIF	120pps @ 4CIF	120pps @ 4CIF
Monitor Output			
- Main 1	VGA (1440 x 960), BNC	DVI/HDMI (1920 x 1080), VGA, & BNC	DVI/HDMI (1920 x 1080), VGA, & BNC
- Spot 1 (BNC; Composite)	(Full / Sequence)	(Full / Sequence)	(Full / Sequence)
- Spot 2 (BNC; Composite)	N/A	(Full / Sequence)	(Full / Sequence)
- Spot 3 (BNC; Composite)	N/A	N/A	N/A
- Spot 4 (BNC; Composite)	N/A	N/A	N/A
Network Transmission Method	Selectable	Selectable	Selectable
- Primary Stream	H.264 @ User-defined resolution	H.264 @ User-defined resolution	H.264 @ User-defined resolution
- Secondary Stream	H.264 @ CIF	H.264 @ CIF	H.264 @ CIF
- Third Stream	M-JPEG @ CIF	M-JPEG @ CIF	M-JPEG @ CIF
Internal Storage	1 Internal HDD bay (Up to 2TB)	3 Internal HDD bay (Up to 6TB)	3 Internal HDD bay (Up to 6TB)
Alarm In/Out	4 Inputs / 1 Output	8 Inputs / 2 Output	16 Inputs / 4 Output
Audio In/Out	4 Inputs / 1 Output	8 Inputs / 1 Output (Optional)	16 Inputs / 1 Output
Audio Over Network	2-way	2-way	2-way
PTZ Dome & Controller Interface	RS-485	RS-485	RS-485
Network Port	Gigabit Ethernet	Gigabit Ethernet	Gigabit Ethernet
Built-In Copy Device	CD / DVD Burner (Max 4GB Clips)	CD / DVD Burner (Max 4GB Clips)	CD / DVD Burner (Max 4GB Clips)
External Copy Device	USB Flashdrive (Max 2GB Clips)	USB Flashdrive (Max 2GB Clips)	USB Flashdrive (Max 2GB Clips)
USB Ports	2 Front, 1 Rear	2 Front, 1 Rear	2 Front, 1 Rear
Recording Modes	Continuous, Schedule, Alarm, Motion, and Panic Recording		
Recording Adjustments	Resolution, frame rate, and picture quality per channel		
Pre-event & Post-event Recording	Pre-recording: 5 sec. per channel / Post-recording: 240 sec. per channel		
Search Mode	Time / Calendar / Event Search	Time / Calendar / Event Search	Time / Calendar / Event Search
Alarm Notification	Pop up, buzzer, e-mail, and relay	Pop up, buzzer, e-mail, and relay	Pop up, buzzer, e-mail, and relay
Watermark / Time Sync.	Yes / Yes	Yes / Yes	Yes / Yes
Power Failure Recovery	Auto reboot while maintaining system settings		Yes (Optional)
Rack Mount Kit	Yes (Optional)	Yes (Optional)	Yes (Optional)
Operating Temperature	41°F ~ 104°F (0°C ~ +40°C)	41°F ~ 104°F (0°C ~ +40°C)	41°F ~ 104°F (0°C ~ +40°C)
Dimensions (W-D-H) mm	14.53" x 15.35" x 3.46" (369mm x 390mm x 88mm)		
Power Input	AC 100 ~ 240V, 50/60 Hz, 85W Max, Typical 60W		

Available Models

HDD Capacity	Model Number	HDD Capacity	Model Number	HDD Capacity	Model Number
1TB	ED-P410	1TB	ED-P810	1TB	ED-P1610
2TB	ED-P420	2TB	ED-P820	2TB	ED-P1620
		3TB	ED-P830	3TB	ED-P1630
		4TB	ED-P840	4TB	ED-P1640
		6TB	ED-P860	6TB	ED-P1660

*Minimum System Requirements (Single site mode)

OS:	Windows 7 or Mac OS X 10.6
CPU:	Core 2 Duo
Memory:	2GB
Video Card:	1GB
Network:	100Mbps

*Preferred System Requirements (Multi-site mode)

OS:	Windows 7 or Mac OS X 10.7
CPU:	Core i7
Memory:	16GB
Video Card:	8GB
Network:	1Gbps

NUVICO®

NUVICO Corporate Headquarters
53 Smith Street Englewood, NJ 07631
Tel: 201-541-1605 Toll Free: 866-523-1700 Fax: 201-541-1620
sales@nuvico.com | www.nuvico.com

NUVICO International Corporation
R#1001, KOFOMO Tower, 16-3 Sunae-Dong, Bundang-Gu,
Seongnam-Si Gyeonggi-Do, 463-825, Korea
Tel: 82-31-712-8814 Fax: 82-70-7509-9164 | export@nuvico.com

EasyView™ 2 Series

True Day/Night, 700 TV Lines, 34 IR LED Vandalproof Dome Camera

CV-STD21N-L



KEY FEATURES

- 1/3" CCD Sensor
- 700 TV Lines
- 2.8 - 10mm, DC Auto Iris Lens
- Day/Night Functionality with ICR
- Digital Noise Reduction (DNR)
- Anti-Tracking White Balance, AWB
- High Light Compensation (HLC)
- Adaptive Tone Reproduction, ATR (Derivative of DWDR)
- 34 IR LEDs
- Adjustable IR LED Intensity
- Separate Camera Control Board
 - OSD Menu
 - Service Monitor Output w/ Controller
- 12VDC / 24VAC Dual Voltage

CONSTRUCTION

- 4" Polycarbonate Bubble
- 3-Axis Gimbal
- Flush Mount Housing w/ Surface Mount Plate in a Single Package
- Impact Resistant Dome w/ Aluminum Housing
- Weatherproof - IP66
- Aluminum Mounting Accessories (Optional)
- Fan & Heater (Optional)
- Compact Size

AVAILABLE MODELS

- CV-STD21N-L (vary): True Day/Night w/ ICR, 34 IR LEDs

AVAILABLE ACCESSORIES

- CA-GRC: Service Monitor and OSD Controller Cable
- CV-WM: Indoor Wall Mount
- CA-OM: Outdoor Wall Mount
- CA-PM: Pivotal Mount
- CA-CMB: Corner Mount Bracket
- CA-PMB: Pole Mount Bracket
- CA-JB: Junction Box
- CA-JB2: Multipurpose Junction Box Enclosure
- CV-FH: Fan & Heater Kit

TECHNICAL SPECIFICATIONS

Technical Specifications	CV-STD21N-L
Video Format	NTSC
Image Sensor	1/3" CCD
Horizontal Resolution	700 TV Lines
Day/Night Functionality	Yes w/ ICR
Lens Type (DC Auto Iris)	Vari-focal 2.8mm-10mm
Angle of View	131.6°(W) - 35.6°(T)
IR LED	34
IR LED Distance	Up to 100ft.
LED Illumination Angle	80°
Sync System	Internal
Effective Pixels (HxV)	976(H) x 494(V)
Scanning System	525 Lines, 2:1 Interlaced
Electronic Shutter	1/60 - 1/100,000 sec.
Main Video Output	1.0 Vp-p Composite, 75 ohm
Service Monitor Output	1.0 Vp-p Composite, 75 ohm
Minimum Illumination	0.01 Lux (Color), 0.00 Lux (B/W w/ IR LEDs On)
S/N Ratio	More than 50dB (AGC Off)
Camera Control & Setup	OSD Menu
General Information	
Operating Temperature	0°F - 122°F (-17°C - +50°C), -40°F - 131°F (-40°C - +55°C) Fan & Heater
Operating Humidity	Within 90% RH
Power Consumption	12W / 1 Amp (LED On), 4W / 500mA (Camera Only)
Input Voltage	12VDC / 24VAC Dual Voltage

*Specifications are subject to change without any prior notice

CLEARLY BETTER.



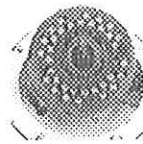
See Clearer With 700 TV Lines

EasyView™ 2 Series - now it gets even better. You'll see a wealth of detail, textures, and super high resolution at 700 TVL. It's so clear, you'll just cross-country. Refreshed in every way, EasyView™ 2 Series features a clear, crisp image with 34 infrared LEDs, which work cooler with the IR technology, adapt to changing environmental conditions, and provide clear, sharp images.



Quick & Easy Installation

Designed with the installer in mind, all EasyView™ 2 Series cameras have 2 common base adjustments to be made. It's so simple, you can do it in minutes. A treatment very easy with conventional wiring. It's so simple, you can do it in minutes. Two base provisions mounting holes that make it easy to install. All with less installation time and every time. The EasyView™ 2 Series cameras are fully the most reliable security camera on the market.

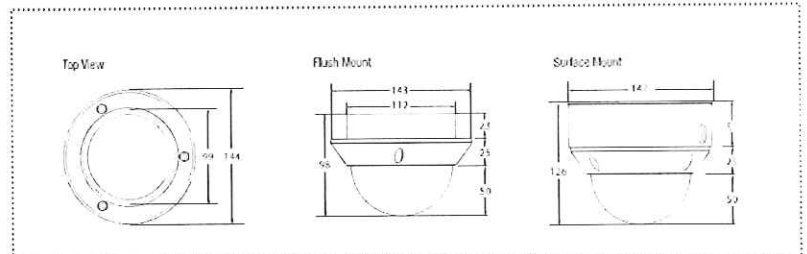


Smart IR LEDs Get You Covered

That 4" transparent polycarbonate bubble with EasyView™ 2 Series has 34 infrared LEDs. Smart IR LEDs - use smart IR LEDs to make it easy to see. The multiple LEDs provide clear, crisp images. All with less installation time and every time. The EasyView™ 2 Series cameras are fully the most reliable security camera on the market.

DIMENSIONS

Unit: mm



NUVICO

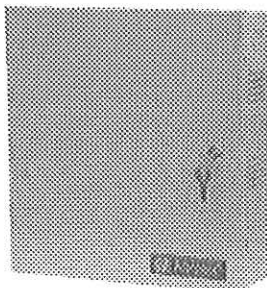
Corporate Headquarters | sales@nuvico.com | T 855.825.1700 | 201.541.1608
International Operations | export@nuvico.com

Customer Service | cs@nuvico.com
Technical Support | techsupport@nuvico.com



ALTV2416300UL AC CCTV Power Supply

Rev. DSALTV2416300UL_10242012



ALTV2416300UL

Overview

ALTV2416300UL provides 24VAC or 28VAC distributed via Sixteen (16) fuse protected outputs for powering CCTV Cameras, heaters and other video accessories.

Specifications

Input:

- 115VAC, 50/60Hz, 2.7 amp.

Output:

- Sixteen (16) fuse protected outputs.
- 24VAC @ 12.5 amp (300VA) supply current (0.781 amp per device, 3.5 amp max.) or 28VAC @ 10 amp (280VA) supply current (0.625 amp per device, 3.5 amp max.).
- Outputs are rated @ 3.5 amp.
- Surge suppression.

Electrical:

- Operating temperature: 0° C to 49° C ambient.
- BTU/Hr.:
 - 24VAC: 153.55 BTU/Hr.
 - 28VAC: 143.31 BTU/Hr.

Electrical (cont'd):

- System AC input VA requirement: 310.5VA.

Features:

- Secondary fuse rated @ 10 amp/250V.
- AC power LED.
- Power ON/OFF switch.
- Spare fuses provided.
(all models w/primary and/or secondary fuses).

Mechanical:

- Enclosure Dimensions (H x W x D approx.): 13.5" (343mm) x 13" (330mm) x 3.25" (83mm)
- Product weight (approx.): 17.1 Lbs (7.756 kg)
- Shipping weight (approx.): 18.1 Lbs (8.21 kg)

Agency Approvals



UL Listed for Commercial CCTV Equipment (UL 2044).



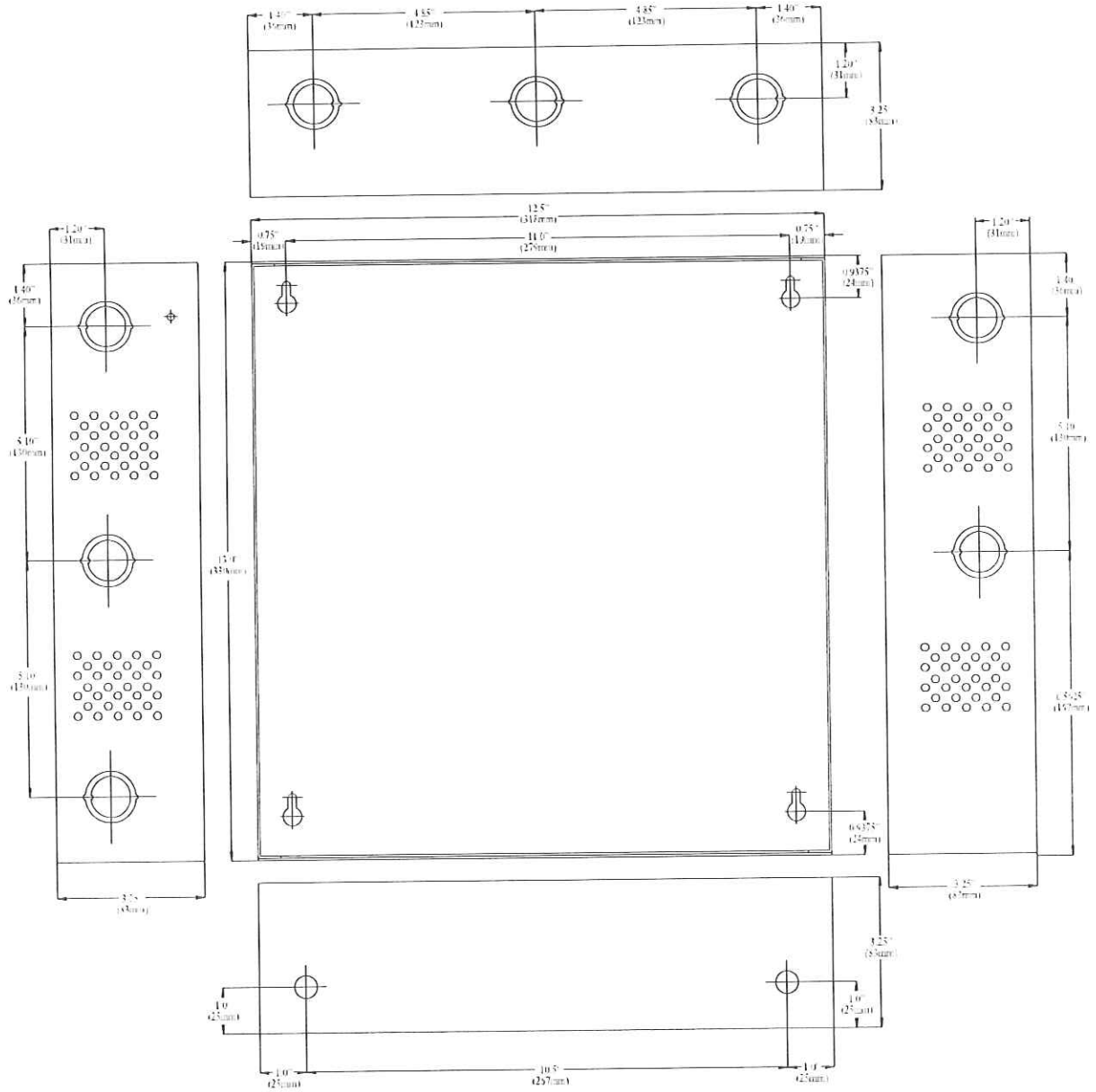
CUL Listed - CSA Standard C22.2 No.1-98, Audio, Video and Similar Equipment.



European Conformity

Enclosure Dimensions

13.5" (343mm) x 13" (330mm) x 3.25" (83mm)



STATE OF WEST VIRGINIA
Purchasing Division

PURCHASING AFFIDAVIT

MANDATE: Under W. Va. Code §5A-3-10a, no contract or renewal of any contract may be awarded by the state or any of its political subdivisions to any vendor or prospective vendor when the vendor or prospective vendor or a related party to the vendor or prospective vendor is a debtor and: (1) the debt owed is an amount greater than one thousand dollars in the aggregate; or (2) the debtor is in employer default.

EXCEPTION: The prohibition listed above does not apply where a vendor has contested any tax administered pursuant to chapter eleven of the W. Va. Code, workers' compensation premium, permit fee or environmental fee or assessment and the matter has not become final or where the vendor has entered into a payment plan or agreement and the vendor is not in default of any of the provisions of such plan or agreement.

DEFINITIONS:

"Debt" means any assessment, premium, penalty, fine, tax or other amount of money owed to the state or any of its political subdivisions because of a judgment, fine, permit violation, license assessment, defaulted workers' compensation premium, penalty or other assessment presently delinquent or due and required to be paid to the state or any of its political subdivisions, including any interest or additional penalties accrued thereon.

"Employer default" means having an outstanding balance or liability to the old fund or to the uninsured employers' fund or being in policy default, as defined in W. Va. Code § 23-2c-2, failure to maintain mandatory workers' compensation coverage, or failure to fully meet its obligations as a workers' compensation self-insured employer. An employer is not in employer default if it has entered into a repayment agreement with the Insurance Commissioner and remains in compliance with the obligations under the repayment agreement.

"Related party" means a party, whether an individual, corporation, partnership, association, limited liability company or any other form or business association or other entity whatsoever, related to any vendor by blood, marriage, ownership or contract through which the party has a relationship of ownership or other interest with the vendor so that the party will actually or by effect receive or control a portion of the benefit, profit or other consideration from performance of a vendor contract with the party receiving an amount that meets or exceed five percent of the total contract amount.

AFFIRMATION: By signing this form, the vendor's authorized signer affirms and acknowledges under penalty of law for false swearing (W. Va. Code §61-5-3) that neither vendor nor any related party owe a debt as defined above and that neither vendor nor any related party are in employer default as defined above, unless the debt or employer default is permitted under the exception above.

WITNESS THE FOLLOWING SIGNATURE:

Vendor's Name: Long's Security Camera Systems LLC
Authorized Signature: Alan E. [Signature] Date: 06/05/2013

State of WV

County of KAN, to-wit:

Taken, subscribed, and sworn to before me this 4 day of JUNE, 2013

My Commission expires 3/31, 2015

AFFIX SEAL HERE



NOTARY PUBLIC

[Signature]
Purchasing Affidavit (Revised 07/01/2012)