



State of West Virginia
 Department of Administration
 Purchasing Division
 2019 Washington Street East
 Post Office Box 50130
 Charleston, WV 25305-0130

Solicitation

NUMBER
HUT993

PAGE
1

ADDRESS CORRESPONDENCE TO ATTENTION OF:
TARA LYLE 304-558-2544

TRI-STATE Video Services Inc.
 s: 1379 Pittsburgh Rd
Valencia, PA 16059

HUTTONSVILLE CORRECTIONAL
 CENTER
 ATTENTION: KEN HOLBROOK
 ROUTE 250 SOUTH
 HUTTONSVILLE, WV
 26273 335-2291

DATE PRINTED
 05/29/2013

BID OPENING DATE: 06/05/2013 BID OPENING TIME 1:30PM

LINE	QUANTITY	UOP	CAT. NO.	ITEM NUMBER	UNIT PRICE	AMOUNT
ADDENDUM NO. 1 SEE ATTACHED PAGES. END OF ADDENDUM NO. 1						
0001	147	EA	655-30	GE VVDX4DN2-VA2	255. ⁰⁰	37485. ⁰⁰
0002	9	EA	840-71	GE TVR1116-D2T	833. ⁰⁰	7497. ⁰⁰
0003	8	EA	655-27	Altronix ALT V2416300UL	133. ⁰⁰	1064. ⁰⁰

06/04/13 11:31:54 AM
 West Virginia Purchasing Division

SIGNATURE: <u>Don McLaughlin</u>	TELEPHONE: <u>724-898-1630</u>	DATE: <u>5-30-2013</u>
TITLE: <u>Sales Manager</u>	FAX: <u>25-146-1834</u>	ADDRESS CHANGES TO BE NOTED ABOVE

WHEN RESPONDING TO SOLICITATION, INSERT NAME AND ADDRESS IN SPACE ABOVE LABELED 'VENDOR'

SOLICITATION NUMBER: HUT993**Addendum Number: 1**

The purpose of this addendum is to modify the solicitation identified as HUT993 ("Solicitation") to reflect the change(s) identified and described below.

Applicable Addendum Category:

- Modify bid opening date and time
- Modify specifications of product or service being sought
- Attachment of vendor questions and responses
- Attachment of pre-bid sign-in sheet
- Correction of error
- Other

Description of Modification to Solicitation:

Responses to vendor questions attached. The bid opening remains 06/05/2013 at 1:30 pm.

Additional Documentation: Documentation related to this Addendum (if any) has been included herewith as Attachment A and is specifically incorporated herein by reference.

Terms and Conditions:

1. All provisions of the Solicitation and other addenda not modified herein shall remain in full force and effect.
2. Vendor should acknowledge receipt of all addenda issued for this Solicitation by completing an Addendum Acknowledgment, a copy of which is included herewith. Failure to acknowledge addenda may result in bid disqualification. The addendum acknowledgement should be submitted with the bid to expedite document processing.

ATTACHMENT AQuestions:

- Q1. Is the Vendor to complete the install & set-up of all items, I did not read in the Bid any install requirement?
- A1. Vendor is not responsible for the install & set-up of all items. This will be done by end-user.
- Q2. I do understand that the cable for each camera and there must be a placement room for the DVR-recorders to match and review each camera, So, cable is in place? with unit connectors?
- A2. End-user will purchase and install all necessary cables and place DVRs.
- Q3. Most all of today's DVR unit recorders have a web interface feature, is the Vendor to set-up remote web user stations : example : warder, etc: it can be done, if so please allow me the number of remote users to be set-up and is it is a requirement, can the users bring the P/C to the prison for set-up?
- A3. End-user will do the set-up of all remote users.
- Q4. I can provide system pre-warranty support that also is required?
- A4. If there are no additional costs beyond the three (3) year warranty specified this will be acceptable.
- Q5. Can you please give me the manufacturer part number for each item?
- A5. Dome Camera UVD-EVRDNR-VA2 or equal DISC.
 DVR TVR-3116-2T or equal DISC.
 Altronix Power Supply ALTV2416300UL or equal
- Q6. Please review Section 3.1.2, I don't believe you have a storage limit or request.
- A6. The size of the DVR hard drive should be a minimum of 2 TB.

The bid opening remains 06/05/2013 at 1:30 pm.

No additional questions will be accepted on this RFQ.

ADDENDUM ACKNOWLEDGEMENT FORM
SOLICITATION NO.: HUT993

Instructions: Please acknowledge receipt of all addenda issued with this solicitation by completing this addendum acknowledgment form. Check the box next to each addendum received and sign below. Failure to acknowledge addenda may result in bid disqualification.

Acknowledgment: I hereby acknowledge receipt of the following addenda and have made the necessary revisions to my proposal, plans and/or specification, etc.

Addendum Numbers Received:

(Check the box next to each addendum received)

- | | |
|--|--|
| <input checked="" type="checkbox"/> Addendum No. 1 | <input type="checkbox"/> Addendum No. 6 |
| <input type="checkbox"/> Addendum No. 2 | <input type="checkbox"/> Addendum No. 7 |
| <input type="checkbox"/> Addendum No. 3 | <input type="checkbox"/> Addendum No. 8 |
| <input type="checkbox"/> Addendum No. 4 | <input type="checkbox"/> Addendum No. 9 |
| <input type="checkbox"/> Addendum No. 5 | <input type="checkbox"/> Addendum No. 10 |

I understand that failure to confirm the receipt of addenda may be cause for rejection of this bid. I further understand that that any verbal representation made or assumed to be made during any oral discussion held between Vendor's representatives and any state personnel is not binding. Only the information issued in writing and added to the specifications by an official addendum is binding.

TRI-STATE VIDEO SERVICES INC.
Company

Don McLaughlin
Authorized Signature

05-31-2013
Date

NOTE: This addendum acknowledgement should be submitted with the bid to expedite document processing.



Product Data Sheet

UVD-XP4DNR-VA2-P

UltraView XP4 Series True Day/Night Rugged Dome, PAL, 540 TVL (690HTVL-E)

Overview

UltraView™ XP4 Dome WDR security cameras provide high quality surveillance images in a variety of commercial applications. They provide superior wide dynamic range and low light performance in one package. UltraView Domes can be mounted in a variety of positions including wall mount, ceiling mount, pendant mount and flush mount. The camera can be rotated 360 degrees and tilted 90 degrees into the most desirable viewing angle using the 3-axis gimbal mounting system. Each housing comes with a captive shroud that conceals the easy-to-position camera. UltraView Domes come standard with true day/night (removable IR cut filter), BNC, and UTP connections. UltraView XP4 Domes are aluminum vandal-resistant IP66-rated environmental housings designed for indoor and outdoor use. They also feature a polycarbonate dome for extra durability.



Superior Wide Dynamic Range and Low Light Performance

UltraView XP4 Dome WDR cameras use Pixim Seawolf technology, customized for Interlogix. Each pixel is individually optimized to show details in shadows and highlights. This superior wide dynamic range camera will deliver usable images in the most challenging high-contrast and mixed lighting conditions. The improved low-light performance makes this a true high-performance, all application WDR camera.

Application

UltraView™ XP4 Dome cameras are notable for their ability to work in just about any environment. Because these cameras perform in extreme high- and low-light situations, they are pre-configured out of the box to suit most security applications. UltraView XP4 Domes, with vandal resistant and weather resistant characteristics, are ideal for exterior installations including shipping ports and banking institutions as well as parking lots. These compact domes are also well-suited for indoor applications including retail environments and healthcare facilities.

Standard Features

- WDR up to 120 dB
- Excellent performance in almost any lighting conditions
- True day/night (removable IR cut filter)
- IR-corrected varifocal 2.8-10.5mm lens
- Standard BNC and UTP connections
- Polycarbonate dome with captive shroud for easy installation, vandal resistance and to conceal camera position
- Heavy-duty indoor/outdoor housing (IP66 rated)
- 12 VDC/24 VAC
- The 3-axis gimble allows wall mounting of the dome while maintaining a level viewing horizon
- Secondary video output inside the dome bubble for local test monitor during setup

UVD-XP4DNR-VA2-P

UltraView XP4 Series True Day/Night Rugged Dome, PAL, 540 TVL (690HTVL-E)

Specifications

Camera

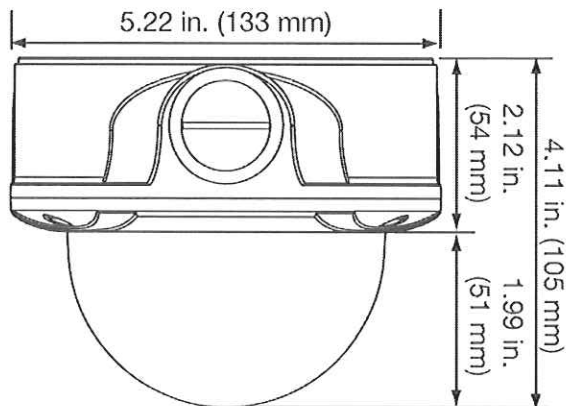
- Image sensor: 1/3" Progressive Scan Pixim Seawolf
- Wide Dynamic range: 102 dB typical, 120 dB max
- Signal System: NTSC/PAL Selectable
- Scanning System: 525/60 (NTSC); 625/50 (PAL)
- Digital Zoom: Up to 4X
- Synchronization: DC Internal/AC Line Lock
- Effective Pixels (HxV): 768 x 540 (NTSC and PAL)
- Horizontal Resolution: 540 TVL color
- Effective Resolution (HTVL-E) 600 HTVL-E
- Sensitivity: 0.01 lux @ f1 2.30 IRE
- S/N Ratio: 60dB (max)
- AGC: On/Off, fully programmable
- Gamma Compensation: 0.45 NTSC; 0.35 PAL
- Composite Output: 1.0 Vp-p @ 75 ohms
- Frame Integration: 2X to 32X
- Privacy Masking: -
- Mirror: Horizontal, Vertical
- White Balance: ATW/ATW-Extend/Manual/PTL
- D/N Switching (IR cut filter): Auto/Manual
- Aperture Correction: -
- Lens Mount: D-mount
- Lens Options: 2.8 to 10.5 mm AI f1.2 IR corrected, 9 to 22 mm AI f1.4 IR corrected
- Auto Exposure: Selectable preferences
- Manual Exposure: -

Electrical

- Power Input: 12 VDC or 24 VAC
- Power consumption: 1.8W (DC), 2W (AC)

Environmental & Physical

- Weight: Rugged Dome 3.5 oz. (95.8 g)
- Dimensions: 5.22 x 4.11 in. (133 x 105 mm)
- Operating Temperature: -30 to +50 °C
- Weather resistant: IP66



Ordering Information

UVD-XP4DNR-VA2-P

UltraView XP4 Series True Day/Night Rugged Dome, PAL, 540 TVL (690HTVL-E), UTP, BNC, WDR, 2.8mm-10.5mm AI IR Corrected, 12VDC/24VAC



UTC

Search Search

- Our Products & Solutions
 - Access Control
 - Fire
 - Intrusion
 - Key Management
 - Transmission
 - Video
- Support & Training
 - Customer Support
 - Pro Express Shops
 - Technical Support
 - Training
 - Video Upgrades
- Case Studies
 - Aviation
 - Banking
 - Commercial Properties
 - Education
 - Entertainment
 - Government
 - Healthcare
 - Hotels
 - Logistics
 - Manufacturing
 - Residential
 - Retail
 - Telecom & Utility
 - Transportation
- Newsroom
- Contact Us

[Home](#) / [Products & Solutions](#) / [Video](#)

TVR11 - TruVision DVR 11, 4/8/16 channel, Real-Time CIF



Description

- [Product Scope](#)
- [Technical specs](#)
- [Contact us](#)

Technical specs

Video/Audio input

Video compression:

H.264

Video input No.:

4/8/16 channels

Video input interface:

BNC (1.0 Vp-p, 75 Ω), PAL /NTSC self-adaptive

Audio compression:

G711 (4/8 ch), G722 (16 ch)

Audio input:

1-ch, RCA (2.0 Vp-p, 1 k Ω)

Bi-directional audio:

1-ch, resolution: 1920 \times 1080P / 60 Hz, 1600 \times 1200 / 60 Hz, 1280 \times 1024 / 60 Hz, 1280 \times 720 / 60 Hz, 1024 \times 768 / 60 Hz

Video/Audio output

HDMI & VGA output:

1-ch, resolution: 1920 \times 1080P / 60 Hz, 1600 \times 1200 / 60 Hz, 1280 \times 1024 / 60 Hz, 1280 \times 720 / 60 Hz, 1024 \times 768 / 60 Hz

CVBS output:

1-ch, BNC (1.0 Vp-p, 75 Ω), resolution: PAL: 704 \times 576, NTSC: 704 \times 480

Video Loopout:

4/8/16 channels

Encoding resolution:

4CIF / 2CIF / CIF / QCIF

Frame rate:

4CIF @ 8fps, 2CIF @ 15fps @ 2CIF, CIF @ 30/25fps

Video bit rate:

32 Kbps ~ 3072 Kbps, or user defined (Max. 3072 Kbps)

Audio output:

1-ch, RCA (Linear, 600 Ω)

Audio bit rate:

64 Kbps (4 & 8 ch), 16 Kbps (16 ch)

Dual-stream:

Support; Sub-stream: CIF @ 6 fps, QCIF @ 25 fps (P) / 30 fps (N)

Stream type:

Video, Video & Audio

Synchronous playback:

4/8/16 channels

Reverse playback:

1 channel

Maximum outgoing streams:

64 Live or 64 playback on all models

Hard disk / DVD burner**SATA:**

2 SATA interface

HDD Capacity:

500 GB / 1 TB / 2 TB

CD/DVD burner:

Optional - on D models only

External interface**Network interface:**

1, RJ45 10M / 100M Ethernet interface

Serial interface:

1 RS-232 interface (for Probridge, Challenger, Technical Support); 1 RS-485 interface (for PTZ control or KTD405 keyboard control)

Alarm interface:

4 Alarm Input, 1 Alarm Output

USB interface:

2, USB 2.0

General**Power supply:**

12 VDC external PSU included)

Consumption (without hard disk or DVD-R/W):

≤ 10 W (4 ch), ≤ 15 W (8 ch), ≤ 20 W (16 ch)

Working temperature:

-10 °C to +55 °C (14°F to 13°F)

Working humidity:

10% to 90%

Chassis :

Standalone 1.5U chassis

Dimensions (W × D × H):

362 x 330 x 78mm (14.25" x 12.99" x 3.07")

Weight (without hard disk or DVD-R/W):

≤ 3 kg (6.62lb)

Remote viewing

Web Browser:

Windows Internet Explorer version 6,7,8,and 9; Mozilla Firefox version 3.5 and above,
Google Chrome version 8.0 and above

TruVision Navigator:

Version 4.0 Service Pack 4 and above

- Products & Solutions

- Access control
- Key Management
- Transmission
- Fire
- Intrusion
- Video
 - Accessories
 - Cameras
 - Controller Keypad
 - CyberDome / Legend
 - Cyberdome accessories
 - Digital Camera
 - Digital recorder
 - Digital Video Encoders and Recorders
 - Housings
 - Interfaces
 - Keypads
 - Lenses
 - Matrix switchers
 - Media Converters
 - Monitors
 - Multiplexers
 - Network Equipment
 - Power Supplies
 - Professional Cameras
 - Quad
 - Recorders
 - Software
 - Specialist Cameras
 - TruVision Cameras
 - TruVision IP Devices
 - TruVision Monitors
 - TruVision Recorder
 - UltraView IP Devices

- [UltraView Monitors](#)
 - [unspecified](#)
 - [Video Content Analysis](#)
 - [Video switchers](#)
 - [Video Transmission](#)
 - [VideoIQ](#)
- [Service Portal](#)
 - [Business Partner](#)
 - [Distributor](#)
 - [Asset Protection Distributor](#)

Technical Questions?

For contact details in your country


[Click here](#)

[Log a support ticket](#)

Featured products

- › [TVR11](#)

Resource

- [Show Datasheet](#)
- [Show Infosheet](#) 
- [Contact us](#)

Copyright © 2012 [UTC Fire & Security](#) | [Privacy Policy](#) | [Terms of Use](#)

REQUEST FOR QUOTATION
HUT993 Surveillance Equipment: Cameras, DVR & Power Supply

000029

SPECIFICATIONS

1. **PURPOSE AND SCOPE:** The West Virginia Purchasing Division is soliciting bids on behalf of Division of Corrections, Huttonsville Correctional Center to establish a contract for the one time purchase of Surveillance Equipment.

2. **DEFINITIONS:** The terms listed below shall have the meanings assigned to them below. Additional definitions can be found in section 2 of the General Terms and Conditions.
 - 2.1 **“Contract Item”** means Surveillance Equipment, Cameras, Digital Video Recorder Dual-Streaming, and Power Supply.

 - 2.2 **“Pricing Page”** means the pages upon which Vendor should list its proposed price for the Contract Items in the manner requested. The Pricing Page is either included on the last page of this RFQ or attached hereto as Exhibit A.

 - 2.3 **“RFQ”** means the official request for quotation published by the Purchasing Division and identified as HUT993.

3. **GENERAL REQUIREMENTS:**
 - 3.1 **Mandatory Contract Item Requirements:** Contract Item must meet or exceed the mandatory requirements listed below. Surveillance equipment, cameras, Digital Video Recorder Dual-Streaming, and Power Supply.
 - 3.1.1 **Dome Cameras, heavy-duty indoor/outdoor housing (IP66 rated), Varifocal Lens or Equal**
 - 3.1.1.1 Privacy Masking: 8 to 12 areas ON/OFF, 2 colors, position, size adjustable.
 - 3.1.1.2 Mirror: Horizontal
 - 3.1.1.3 Sensor: 1/3-in. interline transfer Super HAD CCD
 - 3.1.1.4 Synchronization: DC Internal/AC line lock
 - 3.1.1.5 Signal System: NTSC or PAL standard
 - 3.1.1.6 Effective Pixels (HxV): 811x508(NTSC); 795x596(PAL)
 - 3.1.1.7 Horizontal Resolution: 540 to 740 TVL color
 - 3.1.1.8 Sensitivity: 0.05lux @ f1.2,30 IRE
 - 3.1.1.9 Video Signal-to-Noise Ratio: >50 db
 - 3.1.1.10 AGC: 0 to 36 db

- 3.1.1.11 Gamma Compensation: 9 to 15 Curves selectable
- 3.1.1.12 Composite Output: 1.0 V p-p @75 ohms
- 3.1.1.13 White Balance: ATW/AWB/Manual/P/TL
- 3.1.1.14 Scanning system: 525/60 (NTSC), 625/50 (PAL)
2:1 Interlace
- 3.1.1.15 D/N Switching: Auto/Manual
- 3.1.1.16 Aperture Correction: 0 to 9 steps adjustable
- 3.1.1.17 Lens Mount: D-mount
- 3.1.1.18 Lens Options: 2.8 to 10.5 mm A1 f1.2 IR corrected
9 to 22 mm A1f1.4 IR corrected
- 3.1.1.19 Auto Exposure: 1/60(1/50) sec
- 3.1.1.20 Manual Exposure: 1/60(1/50), 1/120, 1/250, 1/500, 1/1000,
1/2000, 1/5000, 1/10000 sec.
- 3.1.1.21 Operating Temperature: -22 to 122°F (-30 TO 50°C)
- 3.1.1.22 Input Voltage: 12VDC or 24 VAC
- 3.1.1.23 Power Consumption: 2.5 W (DC); 2.5 W (AC)
- 3.1.1.24 Dimensions: 5.22 x 4.11 in. (133 x 105 mm)
- 3.1.1.25 Weight: Rugged Dome 33.8oz (958g)
- 3.1.1.26 Regulatory Certifications: FCC, CE, C-TICK, UL

3.1.2 Digital Video Recorder (DVR 31) H.264 Dual Streaming or Equal

- 3.1.2.1 8.16 video inputs, composite NBC, NTSC/PAL compatible
- 3.1.2.2 Video looping (manual termination)
- 3.1.2.3 Recording resolution: CIF, 2CIF, D1
- 3.1.2.4 Real-time Live on all video channels
- 3.1.2.5 Video compression: H.264
- 3.1.2.6 Watermarking via Digital Signature
- 3.1.2.7 VGA resolutions: 800x600, 1024x768, 1280x1024pixels, HDMI
supports 720P, 1080P
- 3.1.2.8 16 audio channels, line input
- 3.1.2.9 Bi-directional audio (1 channel), line output
- 3.1.2.10 Recording modes: Schedule, Motion, Alarm Continuous
- 3.1.2.11 Pre-alarm (up to 30 seconds)
- 3.1.2.12 Video recording quality: 7 preset settings, Record Wizard,
Expert Mode
- 3.1.2.13 Motion detection, 12 x 16 grid array, sensitivity adjustable
trigger

REQUEST FOR QUOTATION
HUT993 Surveillance Equipment: Cameras, DVR & Power Supply

- 3.1.2.14 Video loss detection
- 3.1.2.15 **Electrical:** Power source: Internal power supply, Universal Auto-Switching, 100-240 VAC, 50/60Hz, 100W
- 3.1.2.16 **Mechanical:** Dimensions (WxHxD): 17.25 x 3.5 x 16.5 in. (438 x89 x 419 mm)
- 3.1.2.17 2RU
- 3.1.2.18 Weight: 15.5 lbs. (7 kg)
- 3.1.2.19 Connectors: Main monitor: VGA, S-video 7 composite BNC, HDMI output
- 3.1.2.20 Spot monitor: composite BNC
- 3.1.2.21 Alarm I/O: Terminal block, 3 output relays
- 3.1.2.22 RS-422/RS-485 terminal block
- 3.1.2.23 Video input: composite BNC, (1 vp-p 75 Ω) or (1 vp-p on 75Ohm), loop through
- 3.1.2.24 Audio I/O terminal block input, RCA output
- 3.1.2.25 10/100/100 Ethernet: RJ-45
- 3.1.2.26 USB 2.0 port2, 2 front, 1 back
- 3.1.2.27 RS-232C (D-Sub 9-pin male connector)

3.1.3 Power Supply 16 Fuse 24Vac @ 12.5 A

- 3.1.3.1 Type: CCTV AC, Wall Mount
- 3.1.3.2 Material: Steel, Finish: Gray
- 3.1.3.3 Enclosure Depth 3.25 in, Enclosure Width 13.00in, Enclosure Height 13.50 in, Input Voltage 115 VAC
- 3.1.3.4 Number of Outputs: 16
- 3.1.3.5 Voltage Output 24VAC or 28VAC. Output current 24VAC @ 12.5A or 28VAC @ 10A Amps, Input Frequency 60 Hz.
- 3.1.3.6 Standards UL 2044 Commercial CCTTV, CUL, CE includes CAM lock. Spare Fuse.
- 3.1.3.7 Input Voltage: 115VAC
- 3.1.3.8 Sub-Category: Power Supply. Wall Mount

3.1.4 Warranty

Vendor shall provide a minimum of three (3) year warranty on all component systems.

REQUEST FOR QUOTATION
HUT993 Surveillance Equipment: Cameras, DVR & Power Supply

000024

HUT993
EXHIBIT A
PRICING PAGE

Item #	Description	Quantity	Unit Price	Extended Total
3.1.1	Dome VVDXP4DNR- Cameras IP66 · VA 2 Varifocal lens	147	255. ⁰⁰	\$ 37485. ⁰⁰
3.1.2	(DVR 31) AV R-1116- H.264 Dual 27 Streaming	9	833. ⁰⁰	\$ 7497. ⁰⁰
3.1.3	Power Supply 16 Fuse 24VAC @12.5A	8	133. ⁰⁰	\$ 1064. ⁰⁰
TOTAL COST:				\$46046. ⁰⁰

Failure to use this form may result in disqualification

Bidder/Vendor Information

Name: TRI - STATE VIDEO SERVICES INC.

Address: 1379 Pittsburgh Rd

Valencia, PA 16059

Phone: 724-898-1630

Fax: 724-898-2330

Authorized
Signature: Don McLaughlin

CERTIFICATION AND SIGNATURE PAGE

By signing below, I certify that I have reviewed this Solicitation in its entirety; understand the requirements, terms and conditions, and other information contained herein; that I am submitting this bid or proposal for review and consideration; that I am authorized by the bidder to execute this bid or any documents related thereto on bidder's behalf; that I am authorized to bind the bidder in a contractual relationship; and that to the best of my knowledge, the bidder has properly registered with any State agency that may require registration.

TRI-STATE VIDEO SERVICES INC
(Company)

Don McLaughlin
(Authorized Signature)

DON MCLAUGHLIN Sales MANAGER
(Representative Name, Title)

724-898-1630 724-898-2330
(Phone Number) (Fax Number)

05-30-2013
(Date)

State of West Virginia

VENDOR PREFERENCE CERTIFICATE

Certification and application* is hereby made for Preference in accordance with West Virginia Code, §5A-3-37. (Does not apply to construction contracts). West Virginia Code, §5A-3-37, provides an opportunity for qualifying vendors to request (at the time of bid) preference for their residency status. Such preference is an evaluation method only and will be applied only to the cost bid in accordance with the West Virginia Code. This certificate for application is to be used to request such preference. The Purchasing Division will make the determination of the Resident Vendor Preference, if applicable.

- 1. Application is made for 2.5% resident vendor preference for the reason checked: Bidder is an individual resident vendor and has resided continuously in West Virginia for four (4) years immediately preceding the date of this certification; or, Bidder is a partnership, association or corporation resident vendor and has maintained its headquarters or principal place of business continuously in West Virginia for four (4) years immediately preceding the date of this certification; or 80% of the ownership interest of Bidder is held by another individual, partnership, association or corporation resident vendor who has maintained its headquarters or principal place of business continuously in West Virginia for four (4) years immediately preceding the date of this certification; or, Bidder is a nonresident vendor which has an affiliate or subsidiary which employs a minimum of one hundred state residents and which has maintained its headquarters or principal place of business within West Virginia continuously for the four (4) years immediately preceding the date of this certification; or,
2. Application is made for 2.5% resident vendor preference for the reason checked: Bidder is a resident vendor who certifies that, during the life of the contract, on average at least 75% of the employees working on the project being bid are residents of West Virginia who have resided in the state continuously for the two years immediately preceding submission of this bid; or,
3. Application is made for 2.5% resident vendor preference for the reason checked: Bidder is a nonresident vendor employing a minimum of one hundred state residents or is a nonresident vendor with an affiliate or subsidiary which maintains its headquarters or principal place of business within West Virginia employing a minimum of one hundred state residents who certifies that, during the life of the contract, on average at least 75% of the employees or Bidder's affiliate's or subsidiary's employees are residents of West Virginia who have resided in the state continuously for the two years immediately preceding submission of this bid; or,
4. Application is made for 5% resident vendor preference for the reason checked: Bidder meets either the requirement of both subdivisions (1) and (2) or subdivision (1) and (3) as stated above; or,
5. Application is made for 3.5% resident vendor preference who is a veteran for the reason checked: Bidder is an individual resident vendor who is a veteran of the United States armed forces, the reserves or the National Guard and has resided in West Virginia continuously for the four years immediately preceding the date on which the bid is submitted; or,
6. Application is made for 3.5% resident vendor preference who is a veteran for the reason checked: Bidder is a resident vendor who is a veteran of the United States armed forces, the reserves or the National Guard, if, for purposes of producing or distributing the commodities or completing the project which is the subject of the vendor's bid and continuously over the entire term of the project, on average at least seventy-five percent of the vendor's employees are residents of West Virginia who have resided in the state continuously for the two immediately preceding years.
7. Application is made for preference as a non-resident small, women- and minority-owned business, in accordance with West Virginia Code §5A-3-59 and West Virginia Code of State Rules. Bidder has been or expects to be approved prior to contract award by the Purchasing Division as a certified small, women- and minority-owned business.

Bidder understands if the Secretary of Revenue determines that a Bidder receiving preference has failed to continue to meet the requirements for such preference, the Secretary may order the Director of Purchasing to: (a) reject the bid; or (b) assess a penalty against such Bidder in an amount not to exceed 5% of the bid amount and that such penalty will be paid to the contracting agency or deducted from any unpaid balance on the contract or purchase order.

By submission of this certificate, Bidder agrees to disclose any reasonably requested information to the Purchasing Division and authorizes the Department of Revenue to disclose to the Director of Purchasing appropriate information verifying that Bidder has paid the required business taxes, provided that such information does not contain the amounts of taxes paid nor any other information deemed by the Tax Commissioner to be confidential.

Under penalty of law for false swearing (West Virginia Code, §61-5-3), Bidder hereby certifies that this certificate is true and accurate in all respects; and that if a contract is issued to Bidder and if anything contained within this certificate changes during the term of the contract, Bidder will notify the Purchasing Division in writing immediately.

Bidder: TRI-STATE Video Services Signed: Don M. Kueyler
Date: 05-30-2013 Title: Sales Manager

RFQ No. AUT 993

STATE OF WEST VIRGINIA
Purchasing Division

PURCHASING AFFIDAVIT

MANDATE: Under W. Va. Code §5A-3-10a, no contract or renewal of any contract may be awarded by the state or any of its political subdivisions to any vendor or prospective vendor when the vendor or prospective vendor or a related party to the vendor or prospective vendor is a debtor and: (1) the debt owed is an amount greater than one thousand dollars in the aggregate; or (2) the debtor is in employer default.

EXCEPTION: The prohibition listed above does not apply where a vendor has contested any tax administered pursuant to chapter eleven of the W. Va. Code, workers' compensation premium, permit fee or environmental fee or assessment and the matter has not become final or where the vendor has entered into a payment plan or agreement and the vendor is not in default of any of the provisions of such plan or agreement.

DEFINITIONS:

"Debt" means any assessment, premium, penalty, fine, tax or other amount of money owed to the state or any of its political subdivisions because of a judgment, fine, permit violation, license assessment, defaulted workers' compensation premium, penalty or other assessment presently delinquent or due and required to be paid to the state or any of its political subdivisions, including any interest or additional penalties accrued thereon.

"Employer default" means having an outstanding balance or liability to the old fund or to the uninsured employers' fund or being in policy default, as defined in W. Va. Code § 23-2c-2, failure to maintain mandatory workers' compensation coverage, or failure to fully meet its obligations as a workers' compensation self-insured employer. An employer is not in employer default if it has entered into a repayment agreement with the Insurance Commissioner and remains in compliance with the obligations under the repayment agreement.

"Related party" means a party, whether an individual, corporation, partnership, association, limited liability company or any other form or business association or other entity whatsoever, related to any vendor by blood, marriage, ownership or contract through which the party has a relationship of ownership or other interest with the vendor so that the party will actually or by effect receive or control a portion of the benefit, profit or other consideration from performance of a vendor contract with the party receiving an amount that meets or exceeds five percent of the total contract amount.

AFFIRMATION: By signing this form, the vendor's authorized signer affirms and acknowledges under penalty of law for false swearing (W. Va. Code §61-5-3) that neither vendor nor any related party owe a debt as defined above and that neither vendor nor any related party are in employer default as defined above, unless the debt or employer default is permitted under the exception above.

WITNESS THE FOLLOWING SIGNATURE:

Vendor's Name: James Wachtel

Authorized Signature: James Wachtel Date: 6/9/13

State of PA

County of Butler, to-wit:

Taken, subscribed, and sworn to before me this 3 day of June, 2013

My Commission expires August 15, 2016.

COMMONWEALTH OF PENNSYLVANIA
AFFIX SEAL HERE **NOTARIAL SEAL**
ALEXANDRA N. FLAVION, Notary Public
Middlesex Twp., Butler County
My Commission Expires August 15, 2016

NOTARY PUBLIC Alexandra N. Flavion
Purchasing Affidavit (Revised 07/01/2012)