



State of West Virginia
 Department of Administration
 Purchasing Division
 2019 Washington Street East
 Post Office Box 50130
 Charleston, WV 25305-0130

Request for Quotation

RFQ NUMBER
DNRB11212

PAGE
1

ADDRESS CORRESPONDENCE TO ATTENTION OF
FRANK WHITTAKER
304-558-2316

VENDOR

RFQ COPY

TYPE NAME/ADDRESS HERE

SESCO DATA COMM
 405 12TH STREET
 DUNBAR WV 26064

SHIP TO

DIVISION OF NATURAL RESOURCES
VARIOUS LOCALES AS INDICATED
BY ORDER

DATE PRINTED 06/16/2011	TERMS OF SALE	SHIP VIA	F.O.B.	FREIGHT TERMS
-----------------------------------	---------------	----------	--------	---------------

BID OPENING DATE: **07/20/2011** BID OPENING TIME **01:30PM**

LINE	QUANTITY	UOP	CAT NO	ITEM NUMBER	UNIT PRICE	AMOUNT
0001	1	LS		840-60		
<p>FLAT SCREEN TELEVISIONS</p> <p>SEE ATTACHED BID FORMS</p> <p>THE WEST VIRGINIA PURCHASING DIVISION, FOR THE AGENCY, THE WEST VIRGINIA DIVISION OF NATURAL RESOURCES IS SOLICITING BIDS FOR FLAT SCREEN TELEVISIONS AND MOUNTING HARDWARE FOR SEVERAL STATE PARKS, PER THE ATTACHED SPECIFICATIONS.</p> <p>ALL TECHNICAL QUESTIONS MUST BE SUBMITTED IN WRITING TO FRANK WHITTAKER IN THE WV PURCHASING DIVISION VIA EMAIL AT FRANK.M.WHITTAKER@WV.GOV OR VIA FAX AT 304-558-4115. DEADLINE FOR TECHNICAL QUESTIONS IS 06/28/2011 AT 4:00 PM. ALL TECHNICAL QUESTIONS WILL BE ADDRESSED BY ADDENDUM AFTER THE DEADLINE.</p> <p>EXHIBIT 4</p> <p>LOCAL GOVERNMENT BODIES: UNLESS THE VENDOR INDICATES IN THE BID HIS REFUSAL TO EXTEND THE PRICES, TERMS, AND CONDITIONS OF THE BID TO COUNTY, SCHOOL, MUNICIPAL AND OTHER LOCAL GOVERNMENT BODIES, THE BID SHALL EXTEND TO POLITICAL SUBDIVISIONS OF THE STATE OF WEST VIRGINIA. IF THE VENDOR DOES NOT WISH TO EXTEND THE PRICES, TERMS, AND CONDITIONS OF THE BID TO ALL POLITICAL SUBDIVISIONS OF THE STATE, THE VENDOR MUST CLEARLY INDICATE SUCH REFUSAL IN HIS BID. SUCH REFUSA</p>						



SEE REVERSE SIDE FOR TERMS AND CONDITIONS

SIGNATURE: *[Signature]* TELEPHONE: (304) 768-3600 DATE: 7/19/11

TITLE: INSIDE SALES REP. FEIN: 55-038-4235-001 ADDRESS CHANGES TO BE NOTED ABOVE

WHEN RESPONDING TO RFQ, INSERT NAME AND ADDRESS IN SPACE ABOVE LABELED 'VENDOR'



State of West Virginia
 Department of Administration
 Purchasing Division
 2019 Washington Street East
 Post Office Box 50130
 Charleston, WV 25305-0130

Request for Quotation

RFQ NUMBER
DNRB11212

PAGE
2

ADDRESS CORRESPONDENCE TO ATTENTION OF:
FRANK WHITTAKER
304-558-2316

VENDOR

RFQ COPY
TYPE NAME/ADDRESS HERE
 SESCO DATA COMM
 405 12TH STREET
 DUNBAR WV 25064

SHIP TO

DIVISION OF NATURAL RESOURCES
VARIOUS LOCALES AS INDICATED
BY ORDER

DATE PRINTED 06/16/2011	TERMS OF SALE	SHIP VIA	F.O.B.	FREIGHT TERMS
-----------------------------------	---------------	----------	--------	---------------

BID OPENING DATE: **07/20/2011** BID OPENING TIME: **01:30PM**

LINE	QUANTITY	UOP	CAT NO	ITEM NUMBER	UNIT PRICE	AMOUNT
<p>SHALL NOT PREJUDICE THE AWARD OF THIS CONTRACT IN ANY MANNER.</p> <p>REV. 3/88 EXHIBIT 3</p> <p>LIFE OF CONTRACT: THIS CONTRACT BECOMES EFFECTIVE ON AND EXTENDS FOR A PERIOD OF ONE (1) YEAR OR UNTIL SUCH "REASONABLE TIME" THEREAFTER AS IS NECESSARY TO OBTAIN A NEW CONTRACT OR RENEW THE ORIGINAL CONTRACT. THE "REASONABLE TIME" PERIOD SHALL NOT EXCEED TWELVE (12) MONTHS. DURING THIS "REASONABLE TIME" THE VENDOR MAY TERMINATE THIS CONTRACT FOR ANY REASON UPON GIVING THE DIRECTOR OF PURCHASING 30 DAYS WRITTEN NOTICE.</p> <p>UNLESS SPECIFIC PROVISIONS ARE STIPULATED ELSEWHERE IN THIS CONTRACT DOCUMENT, THE TERMS, CONDITIONS AND PRICING SET HEREIN ARE FIRM FOR THE LIFE OF THE CONTRACT.</p> <p>RENEWAL: THIS CONTRACT MAY BE RENEWED UPON THE MUTUAL WRITTEN CONSENT OF THE SPENDING UNIT AND VENDOR, SUBMITTED TO THE DIRECTOR OF PURCHASING THIRTY (30) DAYS PRIOR TO THE EXPIRATION DATE. SUCH RENEWAL SHALL BE IN ACCORDANCE WITH THE TERMS AND CONDITIONS OF THE ORIGINAL CONTRACT AND SHALL BE LIMITED TO TWO (2) ONE (1) YEAR PERIODS.</p> <p>CANCELLATION: THE DIRECTOR OF PURCHASING RESERVES THE RIGHT TO CANCEL THIS CONTRACT IMMEDIATELY UPON WRITTEN NOTICE TO THE VENDOR IF THE COMMODITIES AND/OR SERVICES SUPPLIED ARE OF AN INFERIOR QUALITY OR DO NOT CONFORM TO THE SPECIFICATIONS OF THE BID AND CONTRACT HEREIN.</p> <p>OPEN MARKET CLAUSE: THE DIRECTOR OF PURCHASING MAY</p>						

SEE REVERSE SIDE FOR TERMS AND CONDITIONS

SIGNATURE 	TELEPHONE (304) 768-3600	DATE 7/19/11
TITLE INSIDE SALES REP	FEIN 55-038-4235-001	ADDRESS CHANGES TO BE NOTED ABOVE

WHEN RESPONDING TO RFQ, INSERT NAME AND ADDRESS IN SPACE ABOVE LABELED 'VENDOR'



State of West Virginia
 Department of Administration
 Purchasing Division
 2019 Washington Street East
 Post Office Box 50130
 Charleston, WV 25305-0130

Request for Quotation

RFQ NUMBER
DNRB11212

PAGE
3

ADDRESS CORRESPONDENCE TO ATTENTION OF
FRANK WHITTAKER
304-558-2316

VENDOR
 RFQ COPY
 TYPE NAME/ADDRESS HERE
 SESCO DATA COMM
 405 12TH STREET
 DUNBAR WV 25064

SHIP TO
 DIVISION OF NATURAL RESOURCES
 VARIOUS LOCALES AS INDICATED
 BY ORDER

DATE PRINTED: 06/16/2011	TERMS OF SALE	SHIP VIA	F.O.B.	FREIGHT TERMS
------------------------------------	---------------	----------	--------	---------------

BID OPENING DATE: **07/20/2011** BID OPENING TIME **01:30PM**

LINE	QUANTITY	UOP	CAT NO	ITEM NUMBER	UNIT PRICE	AMOUNT
<p>AUTHORIZE A SPENDING UNIT TO PURCHASE ON THE OPEN MARKET, WITHOUT THE FILING OF A REQUISITION OR COST ESTIMATE, ITEMS SPECIFIED ON THIS CONTRACT FOR IMMEDIATE DELIVERY IN EMERGENCIES DUE TO UNFORESEEN CAUSES (INCLUDING BUT NOT LIMITED TO DELAYS IN TRANSPORTATION OR AN UNANTICIPATED INCREASE IN THE VOLUME OF WORK.)</p> <p>QUANTITIES: QUANTITIES LISTED IN THE REQUISITION ARE APPROXIMATIONS ONLY, BASED ON ESTIMATES SUPPLIED BY THE STATE SPENDING UNIT. IT IS UNDERSTOOD AND AGREED THAT THE CONTRACT SHALL COVER THE QUANTITIES ACTUALLY ORDERED FOR DELIVERY DURING THE TERM OF THE CONTRACT, WHETHER MORE OR LESS THAN THE QUANTITIES SHOWN.</p> <p>ORDERING PROCEDURE: SPENDING UNIT(S) SHALL ISSUE A WRITTEN STATE CONTRACT ORDER (FORM NUMBER WV-39) TO THE VENDOR FOR COMMODITIES COVERED BY THIS CONTRACT. THE ORIGINAL COPY OF THE WV-39 SHALL BE MAILED TO THE VENDOR AS AUTHORIZATION FOR SHIPMENT, A SECOND COPY MAILED TO THE PURCHASING DIVISION, AND A THIRD COPY RETAINED BY THE SPENDING UNIT.</p> <p>BANKRUPTCY: IN THE EVENT THE VENDOR/CONTRACTOR FILES FOR BANKRUPTCY PROTECTION, THE STATE MAY DEEM THE CONTRACT NULL AND VOID, AND TERMINATE SUCH CONTRACT WITHOUT FURTHER ORDER.</p> <p>THE TERMS AND CONDITIONS CONTAINED IN THIS CONTRACT SHALL SUPERSEDE ANY AND ALL SUBSEQUENT TERMS AND CONDITIONS WHICH MAY APPEAR ON ANY ATTACHED PRINTED DOCUMENTS SUCH AS PRICE LISTS, ORDER FORMS, SALES AGREEMENTS OR MAINTENANCE AGREEMENTS, INCLUDING ANY ELECTRONIC MEDIUM SUCH AS CD-ROM.</p> <p>REV. 05/26/2009</p>						

SEE REVERSE SIDE FOR TERMS AND CONDITIONS

SIGNATURE <i>[Signature]</i>	TELEPHONE (304) 768-3600	DATE 7/19/11
TITLE INSIDE SALES REP.	FEIN 55-038-4235-001	ADDRESS CHANGES TO BE NOTED ABOVE

WHEN RESPONDING TO RFQ, INSERT NAME AND ADDRESS IN SPACE ABOVE LABELED 'VENDOR'



State of West Virginia
 Department of Administration
 Purchasing Division
 2019 Washington Street East
 Post Office Box 50130
 Charleston, WV 25305-0130

Request for Quotation

RFQ NUMBER
DNRB11212

PAGE
4

ADDRESS CORRESPONDENCE TO ATTENTION OF
FRANK WHITTAKER
304-558-2316

VENDOR

RFQ COPY
 TYPE NAME/ADDRESS HERE
SESCO DATAComm
405 12TH STREET
DUNBAR WV 25064

SHIP TO

DIVISION OF NATURAL RESOURCES
 VARIOUS LOCALES AS INDICATED
 BY ORDER

DATE PRINTED	TERMS OF SALE	SHIP VIA	F.O.B.	FREIGHT TERMS
06/16/2011				

BID OPENING DATE: **07/20/2011** BID OPENING TIME **01:30PM**

LINE	QUANTITY	UOP	CAT. NO.	ITEM NUMBER	UNIT PRICE	AMOUNT
<p>NOTICE</p> <p>A SIGNED BID MUST BE SUBMITTED TO:</p> <p>DEPARTMENT OF ADMINISTRATION PURCHASING DIVISION BUILDING 15 2019 WASHINGTON STREET, EAST CHARLESTON, WV 25305-0130</p> <p>THE BID SHOULD CONTAIN THIS INFORMATION ON THE FACE OF THE ENVELOPE OR THE BID MAY NOT BE CONSIDERED:</p> <p>SEALED BID</p> <p>BUYER: 44</p> <p>RFQ. NO.: DNRB11212</p> <p>BID OPENING DATE: 7/20/2011</p> <p>BID OPENING TIME: 1:30 PM</p> <p>PLEASE PROVIDE A FAX NUMBER IN CASE IT IS NECESSARY TO CONTACT YOU REGARDING YOUR BID:</p> <p>(304) 768-3698</p> <p>CONTACT PERSON (PLEASE PRINT CLEARLY): CRAIG STONE</p>						

SEE REVERSE SIDE FOR TERMS AND CONDITIONS

SIGNATURE	TELEPHONE (304) 768-3600	DATE 7/19/11
TITLE INSIDE SALES REP	FEIN 55-038-4235-001	ADDRESS CHANGES TO BE NOTED ABOVE

WHEN RESPONDING TO RFQ, INSERT NAME AND ADDRESS IN SPACE ABOVE LABELED 'VENDOR'



State of West Virginia
 Department of Administration
 Purchasing Division
 2019 Washington Street East
 Post Office Box 50130
 Charleston, WV 25305-0130

Request for Quotation

RFQ NUMBER
DNRB11212

PAGE
5

ADDRESS CORRESPONDENCE TO ATTENTION OF:
FRANK WHITTAKER
304-558-2316

VENDOR
 RFQ COPY
 TYPE NAME/ADDRESS HERE
 SESCO DATA COMM
 405 12TH STREET
 DUNBAR WV 25064

SHIP TO
 DIVISION OF NATURAL RESOURCES
 VARIOUS LOCALES AS INDICATED
 BY ORDER

DATE PRINTED 06/16/2011	TERMS OF SALE	SHIP VIA	F.O.B.	FREIGHT TERMS
-----------------------------------	---------------	----------	--------	---------------

BID OPENING DATE: **07/20/2011** BID OPENING TIME **01:30PM**

LINE	QUANTITY	UOP	CAT NO	ITEM NUMBER	UNIT PRICE	AMOUNT

***** THIS IS THE END OF RFQ DNRB11212 ***** TOTAL:						<u>\$136,135.69</u>

SEE REVERSE SIDE FOR TERMS AND CONDITIONS

SIGNATURE <i>B. [Signature]</i>	TELEPHONE (304) 768-3600	DATE 7/19/11
TITLE INSIDE SALES REP	FEIN 55-038-4235-001	ADDRESS CHANGES TO BE NOTED ABOVE

WHEN RESPONDING TO RFQ, INSERT NAME AND ADDRESS IN SPACE ABOVE LABELED 'VENDOR'

OPEN END AGENCY CONTRACT Televisions

The West Virginia Division of Natural Resources is requesting Bids for an open ended contract for the purchase of flat screen televisions to be utilized for upgrades and redecoration of parks in various locations. All items are to be shipped FOB Destination. Vendor shall be required to submit a Bill of Lading for all material and items shipped that clearly show actual shipping costs.

General Specifications:

All items must be new, and must be Energy Star qualified. Televisions must be flat screen, and must have the availability to be mounted securely on the wall with appropriate wall mounting systems.

Basis of Award:

This contract is split into three separate bids based upon the location of the park where these items will be initially purchased. The three locations are Blackwater Falls State Park, Davis, WV, Pipestem Resort State Park, Pipestem, WV and Tygart Lake State Park, Grafton, WV.

Vendors may bid on any or all locations.

The television package will be awarded to the lowest qualified Bidder submitting the lowest Bid for all televisions and mounting hardware at each location, as stipulated on the Bid schedule and in complete accordance with all specifications stipulated herein. Partial or conditional bids will not be considered.

Coordination:

Vendor must coordinate shipping and receiving with each park. All items must be received within thirty days of the issuance of a purchase order.

Delivery, Storage and Handling:

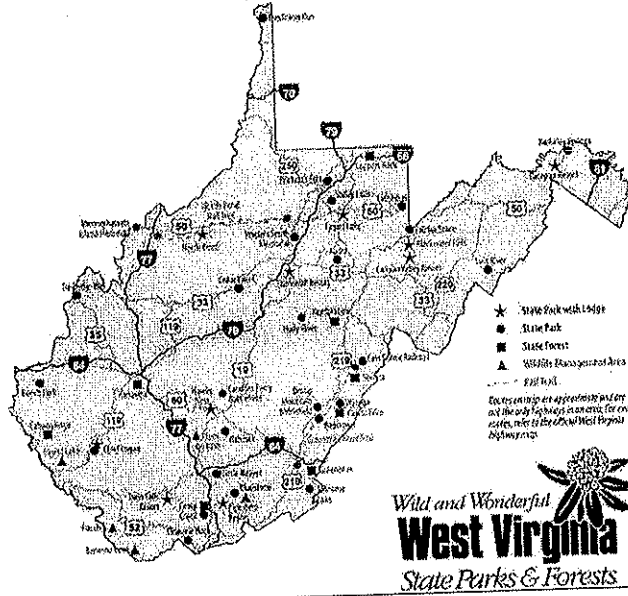
The successful Vendor must deliver and handle all items according to Manufacturer's recommendations, including means and methods that will prevent damage, deterioration, and loss. Goods must be delivered in the Manufacturer's original sealed containers complete with labels and instructions for handling, storage, unpacking, protecting, and installing. The Division will supply labor to inspect the goods upon delivery, to ensure compliance with the purchase order, and to ensure all items are undamaged and protected against damage. All items must be delivered according to Manufacturer's recommendations and in an order that will facilitate inspection and measurement of quantity. All items must be delivered using means and methods that will prevent damage, deterioration, theft, or other loss. All items are to be shipped FOB Destination. Vendor shall be required to submit a Bill of Lading for all material and items shipped that clearly show actual shipping costs.

OPEN END CONTRACT TELEVISIONS

Locations:
BLACKWATER FALLS STATE PARK
 (Tucker County)
 RR 29 Drawer 490
 Davis, WV 26260-0490

PIPESTEM RESORT STATE PARK
 (Summers County)
 RR 20 Box 150
 Pipestem, WV 25979-0150

TYGART LAKE STATE PARK
 (Taylor County)
 RR 1 Box 260
 Grafton, WV 26354-9741



Damaged Items:

All items will be inspected by the Division at time of delivery to ensure that each item is not damaged or defective. Damaged or defective items will be rejected, and must be removed, and replaced at no additional expense to the Division.

Project Closeout:

Vendor must provide an inventory list of all items received and accepted. Vendor must provide the manufacturers recommendations for maintenance and cleaning.

Applications for Payment:

Vendor must submit Applications for Payment upon completion of delivery for all items delivered and accepted and upon completion of project closeout requirements.

OPEN END CONTRACT TELEVISIONS

Warranty:

The Vendor must warranty products to be free of defects in materials and Workmanship for a minimum period of one (1) year after date of acceptance or through manufacturer's provided warranty, whichever is greater. Vendor must repair or replace at its discretion, free of charge, any product that proves to be defective during the warranty period.

Estimated Quantities:

The quantities listed in this bid form are for bid evaluation purposes only – Actual quantities ordered may differ.

Television Specifications:

All items must meet the minimum specifications as detailed herein.
All items are to be shipped FOB Destination. Vendor shall be required to submit a Bill of Lading for all material and items shipped that clearly show actual shipping costs.

BLACKWATER FALLS STATE PARK**TELEVISION*****Panasonic 42" Class 1080p LCD Model TH-42LRU30, or equal***

- Must be minimum 42" Diagonal
- Minimum dimensions must be 25.1"x40.2"x4.2"
- Must be VESA mount compliant
- Must be LCD
- Must come with standard remote control
- Must have minimum contrast ratio of 20,000:1
- Must be model year 2010 or greater
- Minimum native resolution must be (1920 x 1080)
- Must have minimum 2 surround sound, full-range speakers
- Must have built in close caption decoder
- Must have sleep-off-timers and programmable timer
- Must be Energy Star® qualified

UNIVERSAL MOUNT WITH TILT***OmniMount 2N1-L, or equal***

- Must be compatible with LCD Television provided under this contract
- Must fit a minimum of 37" – maximum 63" flat panel televisions
- Must support a minimum of 175 lbs
- Maximum tilt 15°
- Minimum mounting profile must be 2.7"
- Must be VESA compliant W200xH200

UNIVERSAL MOUNT WITH TILT / SWIVEL***OmniMount UCL-L, or equal* — ALTERNATE: OMNIMOUNT LPHDM-C**

- Must be compatible with LCD Television provided under this contract
- Must fit a minimum of 37" – maximum 52" flat panel televisions
- Must support a minimum of 125 lbs.

OPEN END CONTRACT TELEVISIONS

- Must provide a minimum tilt -5° to a maximum tilt of 15°
- Minimum mounting profile must be 4.69"
- Maximum extension must be 26.8"
- Must be VESA compliant W200xH200

PIPESTEM RESORT STATE PARK

TELEVISION ALTERNATE: TOSHIBA 32C110
LG 32" LCD TELEVISION 32LK330, or equal

- Must be minimum 31.5" Diagonal
- Must be LED
- Must have minimum contrast ratio of 70,000:1
- Minimum dimensions must be 31.5 X 22.2 X 8.1" (with stand)
- Must come with minimum 20° / 20° swivel stand
- Must come with standard remote control
- Must be model year 2010 or greater
- Minimum native resolution must be (1366x768)
- Must be Energy Star® qualified

TYGART LAKE STATE PARK

TELEVISION ALTERNATE: SAMSUNG UN40D5500
LG 37" LED TELEVISION 37LV3500, or equal

- Must be minimum 37" Diagonal
- Must be LED
- Must have minimum contrast ratio of 3,000,000:1
- Minimum dimensions must be 24.9x20.9x1.6"
- Must be VESA mount compliant
- Must come with standard remote control
- Must be model year 2010 or greater
- Minimum native resolution must be (1920x1080)
- Must be Energy Star® qualified

TELEVISION ALTERNATE: TOSHIBA 55G310
LG 55" LED TELEVISION 55LV5500, or equal

- Must be minimum 54.6" Diagonal
- Must be LED
- Must have minimum contrast ratio of 5,000,000:1
- Minimum dimensions must be 51.1"x30.6"x1.2"
- Must be VESA mount compliant
- Must come with standard remote control
- Must be model year 2010 or greater
- Minimum native resolution must be (1920x1080)
- Must be Energy Star® qualified

UNIVERSAL MOUNT WITH TILT

OmniMount 2N1-L, or equal

- Must be compatible with LED Television provided under this contract
- Must fit a minimum of 37" – maximum 63" flat panel televisions
- Must support a minimum of 175 lbs

OPEN END CONTRACT TELEVISIONS

- Maximum tilt 15°
- Minimum mounting profile must be 2.7"
- Must be VESA compliant

UNIVERSAL MOUNT WITH TILT / SWIVEL***OmniMount LEDP75, or equal***

- Must be compatible with LED Television provided under this contract
- Must fit a minimum of 23" – maximum 60" flat panel televisions
- Must support a minimum of 75 lbs
- Minimum tilt -10° to maximum tilt 10°
- Minimum mounting profile: 0.6" in-wall; 2.23" on-wall
- Minimum lateral shift 11.35"
- Must be VESA compliant

BID FORM - TELEVISIONS
PIPESTEM RESORT STATE PARK

Item No.	Description	ESTIMATED QUANTITY	UNIT PRICE	EXTENDED PRICE
1	32" LCD TELEVISION	132	\$ 377.52	\$ 41,912.64
TOTAL BID				\$ 41,912.64

All items are to be shipped FOB Destination. Vendor shall be required to submit a Bill of Lading for all material and items shipped that clearly show actual shipping costs.

THE QUANTITIES LISTED ABOVE ARE FOR BID EVALUATION PURPOSES ONLY. ACTUAL QUANTITIES MAY DIFFER

**BID FORM - TELEVISIONS
BLACKWATER FALLS STATE PARK**

Item No.	Description	ESTIMATED QUANTITY	UNIT PRICE	EXTENDED PRICE
1	42" LCD TELEVISION	74	\$ 930.99	\$ 68893.26
2	UNIVERSAL MOUNT WITH TILT	70	\$ 54.66	\$ 3826.20
3	UNIVERSAL MOUNT WITH TILT / SWIVEL	4	\$ 137.47	\$ 549.88
TOTAL BID				\$ 73269.34

All items are to be shipped FOB Destination. Vendor shall be required to submit a Bill of Lading for all material and items shipped that clearly show actual shipping costs.

THE QUANTITIES LISTED ABOVE ARE FOR BID EVALUATION PURPOSES ONLY. ACTUAL QUANTITIES MAY DIFFER.

BID FORM - TELEVISIONS
TYGART LAKE STATE PARK

Item No.	Description	ESTIMATED QUANTITY	UNIT PRICE	EXTENDED PRICE
1	37" LED TELEVISION	21	\$ 838.37	\$ 17605.77
2	55" LED TELEVISION	2	\$ 962.57	\$ 1925.14
3	UNIVERSAL MOUNT WITH TILT	21	\$ 54.66	\$ 1147.86
4	UNIVERSAL MOUNT WITH TILT / SWIVEL	2	\$ 137.47	\$ 274.94
TOTAL BID				\$ 20953.71

All items are to be shipped FOB Destination. Vendor shall be required to submit a Bill of Lading for all material and items shipped that clearly show actual shipping costs.

THE QUANTITIES LISTED ABOVE ARE FOR BID EVALUATION PURPOSES ONLY. ACTUAL QUANTITIES MAY DIFFER

MANUFACTURER SHEET - TELEVISIONS
PIPESTEM RESORT STATE PARK

Item No.	Description	Manufacturer
1	32" LCD TELEVISION	TOSHIBA 32L110

MANUFACTURER SHEET - TELEVISIONS
BLACKWATER FALLS STATE PARK

Item No.	Description	Manufacturer
1	42" LCD TELEVISION	PANASONIC TH42LRU30
2	UNIVERSAL MOUNT WITH TILT	OMNI MOUNT
3	UNIVERSAL MOUNT WITH TILT / SWIVEL	OMNI MOUNT LPHDM-C

MANUFACTURER SHEET - TELEVISIONS
TYGART LAKE STATE PARK

Item No.	Description	Manufacturer
1	37" LED TELEVISION	SAMSUNG UN40D5500
2	55" LED TELEVISION	TOSHIBA 55G310
3	UNIVERSAL MOUNT WITH TILT	OMNIMOUNT
4	UNIVERSAL MOUNT WITH TILT / SWIVEL	OMNIMOUNT

State of West Virginia VENDOR PREFERENCE CERTIFICATE

Certification and application* is hereby made for Preference in accordance with *West Virginia Code*, §5A-3-37. (Does not apply to construction contracts). *West Virginia Code*, §5A-3-37, provides an opportunity for qualifying vendors to request (at the time of bid) preference for their residency status. Such preference is an evaluation method only and will be applied only to the cost bid in accordance with the *West Virginia Code*. This certificate for application is to be used to request such preference. The Purchasing Division will make the determination of the Resident Vendor Preference, if applicable.

1. Application is made for 2.5% resident vendor preference for the reason checked:

- Bidder is an individual resident vendor and has resided continuously in West Virginia for four (4) years immediately preceding the date of this certification; or,
- Bidder is a partnership, association or corporation resident vendor and has maintained its headquarters or principal place of business continuously in West Virginia for four (4) years immediately preceding the date of this certification; or 80% of the ownership interest of Bidder is held by another individual, partnership, association or corporation resident vendor who has maintained its headquarters or principal place of business continuously in West Virginia for four (4) years immediately preceding the date of this certification; or,
- Bidder is a nonresident vendor which has an affiliate or subsidiary which employs a minimum of one hundred state residents and which has maintained its headquarters or principal place of business within West Virginia continuously for the four (4) years immediately preceding the date of this certification; or,

2. Application is made for 2.5% resident vendor preference for the reason checked:

- Bidder is a resident vendor who certifies that, during the life of the contract, on average at least 75% of the employees working on the project being bid are residents of West Virginia who have resided in the state continuously for the two years immediately preceding submission of this bid; or,

3. Application is made for 2.5% resident vendor preference for the reason checked:

- Bidder is a nonresident vendor employing a minimum of one hundred state residents or is a nonresident vendor with an affiliate or subsidiary which maintains its headquarters or principal place of business within West Virginia employing a minimum of one hundred state residents who certifies that, during the life of the contract, on average at least 75% of the employees or Bidder's affiliate's or subsidiary's employees are residents of West Virginia who have resided in the state continuously for the two years immediately preceding submission of this bid; or,

4. Application is made for 5% resident vendor preference for the reason checked:

- Bidder meets either the requirement of both subdivisions (1) and (2) or subdivision (1) and (3) as stated above; or,

5. Application is made for 3.5% resident vendor preference who is a veteran for the reason checked:

- Bidder is an individual resident vendor who is a veteran of the United States armed forces, the reserves or the National Guard and has resided in West Virginia continuously for the four years immediately preceding the date on which the bid is submitted; or,

6. Application is made for 3.5% resident vendor preference who is a veteran for the reason checked:

- Bidder is a resident vendor who is a veteran of the United States armed forces, the reserves or the National Guard, if, for purposes of producing or distributing the commodities or completing the project which is the subject of the vendor's bid and continuously over the entire term of the project, on average at least seventy-five percent of the vendor's employees are residents of West Virginia who have resided in the state continuously for the two immediately preceding years.

Bidder understands if the Secretary of Revenue determines that a Bidder receiving preference has failed to continue to meet the requirements for such preference, the Secretary may order the Director of Purchasing to: (a) reject the bid; or (b) assess a penalty against such Bidder in an amount not to exceed 5% of the bid amount and that such penalty will be paid to the contracting agency or deducted from any unpaid balance on the contract or purchase order.

By submission of this certificate, Bidder agrees to disclose any reasonably requested information to the Purchasing Division and authorizes the Department of Revenue to disclose to the Director of Purchasing appropriate information verifying that Bidder has paid the required business taxes, provided that such information does not contain the amounts of taxes paid nor any other information deemed by the Tax Commissioner to be confidential.

Under penalty of law for false swearing (*West Virginia Code*, §61-5-3), Bidder hereby certifies that this certificate is true and accurate in all respects; and that if a contract is issued to Bidder and if anything contained within this certificate changes during the term of the contract, Bidder will notify the Purchasing Division in writing immediately.

Bidder: SESCO DATAComm

Signed: [Signature]

Date: 7/19/11

Title: INSIDE SALES REP.

*Check any combination of preference consideration(s) indicated above, which you are entitled to receive.

RFQ No. _____

STATE OF WEST VIRGINIA
Purchasing Division

PURCHASING AFFIDAVIT

West Virginia Code §5A-3-10a states: No contract or renewal of any contract may be awarded by the state or any of its political subdivisions to any vendor or prospective vendor when the vendor or prospective vendor or a related party to the vendor or prospective vendor is a debtor and the debt owed is an amount greater than one thousand dollars in the aggregate.

DEFINITIONS:

"Debt" means any assessment, premium, penalty, fine, tax or other amount of money owed to the state or any of its political subdivisions because of a judgment, fine, permit violation, license assessment, defaulted workers' compensation premium, penalty or other assessment presently delinquent or due and required to be paid to the state or any of its political subdivisions, including any interest or additional penalties accrued thereon.

"Debtor" means any individual, corporation, partnership, association, limited liability company or any other form or business association owing a debt to the state or any of its political subdivisions. "Political subdivision" means any county commission; municipality; county board of education; any instrumentality established by a county or municipality; any separate corporation or instrumentality established by one or more counties or municipalities, as permitted by law; or any public body charged by law with the performance of a government function or whose jurisdiction is coextensive with one or more counties or municipalities. "Related party" means a party, whether an individual, corporation, partnership, association, limited liability company or any other form or business association or other entity whatsoever, related to any vendor by blood, marriage, ownership or contract through which the party has a relationship of ownership or other interest with the vendor so that the party will actually or by effect receive or control a portion of the benefit, profit or other consideration from performance of a vendor contract with the party receiving an amount that meets or exceed five percent of the total contract amount.

EXCEPTION: The prohibition of this section does not apply where a vendor has contested any tax administered pursuant to chapter eleven of this code, workers' compensation premium, permit fee or environmental fee or assessment and the matter has not become final or where the vendor has entered into a payment plan or agreement and the vendor is not in default of any of the provisions of such plan or agreement.

Under penalty of law for false swearing (*West Virginia Code §61-5-3*), it is hereby certified that the vendor affirms and acknowledges the information in this affidavit and is in compliance with the requirements as stated.

WITNESS THE FOLLOWING SIGNATURE

Vendor's Name: _____

Authorized Signature: _____ Date: _____

State of _____

County of _____, to-wit:

Taken, subscribed, and sworn to before me this ____ day of _____, 20__.

My Commission expires _____, 20__.

AFFIX SEAL HERE

NOTARY PUBLIC _____



SESCO
DATA COMM
A STATE ELECTRIC COMPANY

Phone 304.768.3600
Fax 304.768.3698
Toll Free 1.800.344.5202

7/19/11

RE: RFQ# DNRB11212

Please note:

Price on televisions is valid from July 20, 2011, to August 31, 2011 – vendor reserves the right to update pricing if necessary due to rising cost of market commodities <typical: electronics prices decrease over time rather than increase>.

Vendor may substitute an equivalent model in cases where the specced/quoted model becomes discontinued or unavailable.

LPHDM-C product information sheet

Product Specifications

Fits most: 23" - 42" flat panels

Supports up to: 100 lbs (45.4 kg)

Tilt: -5° to +15°

Mounting profile: 2.36" (60mm)*

Maximum extension: 21.57" (548mm)*

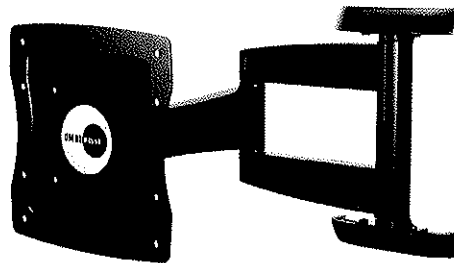
VESA compliant: 100x100 to 400x400

Mounting: Single-stud

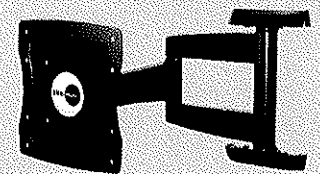
Warranty: 5 years

Color: Black

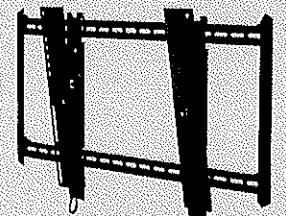
*Adapter adds 0.31" (8mm)



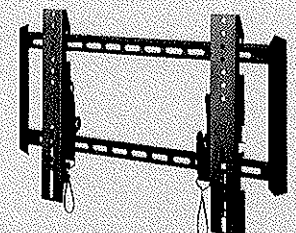
Series



Cantilever Mounts



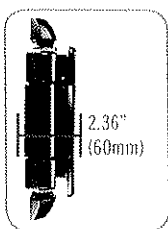
Tilt Mounts



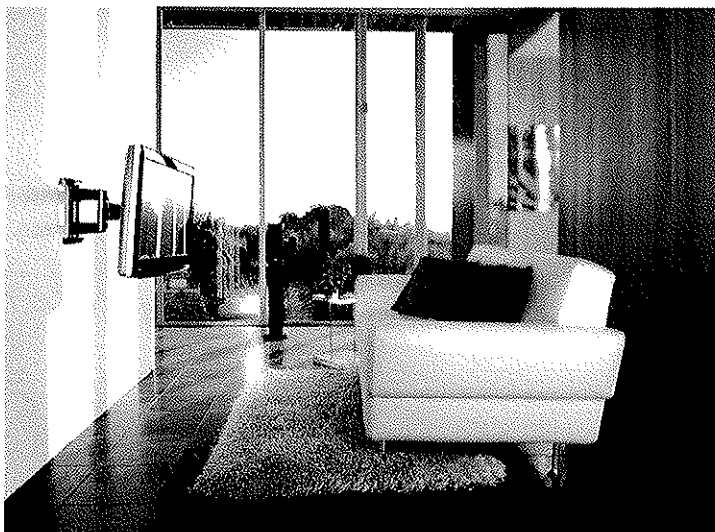
Fixed Mounts

Product Benefits

- Arms completely nest for a discreet 2.36-inch (60mm) mounting profile
- Tilt, pan and swivel for maximum viewing flexibility
- Steel tube construction for maximum strength and durability
- Rack and pinion tilt mechanism for effortless adjustment
- Integrated cable management with quick-snap covers guide wires
- Built-in screen leveling
- Lift n' Lock™ allows you to easily attach your flat panel to the mount
- Sliding on-wall adjustment (2" lateral; 1.4" vertical)
- Locking system secures panel to mount
- Wall plate covers conceal mounting hardware
- Installation template for simple and accurate mounting
- Interchangeable cable covers for a customized look (available as an accessory)
- Includes complete Grade 5 hardware kit



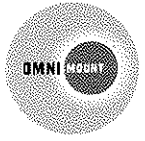
With OmniMount's low profile cantilevers, your customers will get everything they want in one mount – the functionality and versatility of a full motion mount in a compact and discreet design.



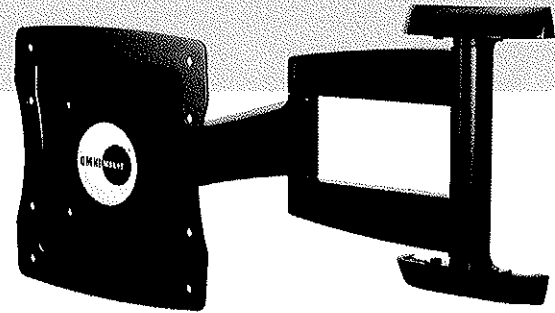
Dedicated to being a one-stop shop for professional products, OmniMount remains on the cutting edge of product innovation. That's why we're the natural choice for any professional, industrial or commercial application. The Low Profile Series of fixed, tilt and cantilever mounts offers a sleek and slim design without compromising functionality. With an impressively low 2.36-inch (60mm) mounting profile, the LPHDM-C is a medium cantilever mount perfectly suited for those applications where seamless integration counts most.



LPHDM-C technical data sheet



Dedicated to being a one-stop shop for professional products, OmniMount remains on the cutting edge of product innovation. That's why we're the natural choice for any professional, industrial or commercial application. The Low Profile Series of fixed, tilt and cantilever mounts offers a sleek and slim design without compromising functionality. With an impressively low 2.36" (60mm) mounting profile, the LPHDM-C is a medium cantilever mount perfectly suited for those applications where seamless integration counts most.



Product Specifications

Fits most: 23" - 42" flat panels

Supports up to: 100 lbs (45.4 kg)

Tilt: -5° to +15°

Mounting profile: 2.36" (60mm)*

Maximum extension: 21.57" (548mm)*

VESA compliant: 100x100 to 400x400

Mounting: Single-stud

Warranty: 5 years

Color: Black

*Adapter adds 0.31" (8mm)

Product Benefits

- Arms completely nest for a discreet 2.36" (60mm) mounting profile
- Tilt, pan and swivel for maximum viewing flexibility
- Steel tube construction for maximum strength and durability
- Rack and pinion tilt mechanism for effortless adjustment
- Integrated cable management with quick-snap covers guide wires
- Built-in screen leveling
- Lift n' Lock™ allows you to easily attach your flat panel to the mount
- Sliding on-wall adjustment (2" lateral; 1.4" vertical)
- Locking system secures panel to mount

- Wall plate covers conceal mounting hardware
- Installation template for simple and accurate mounting
- Interchangeable cable covers for a customized look (available as an accessory)
- Includes complete Grade 5 hardware kit

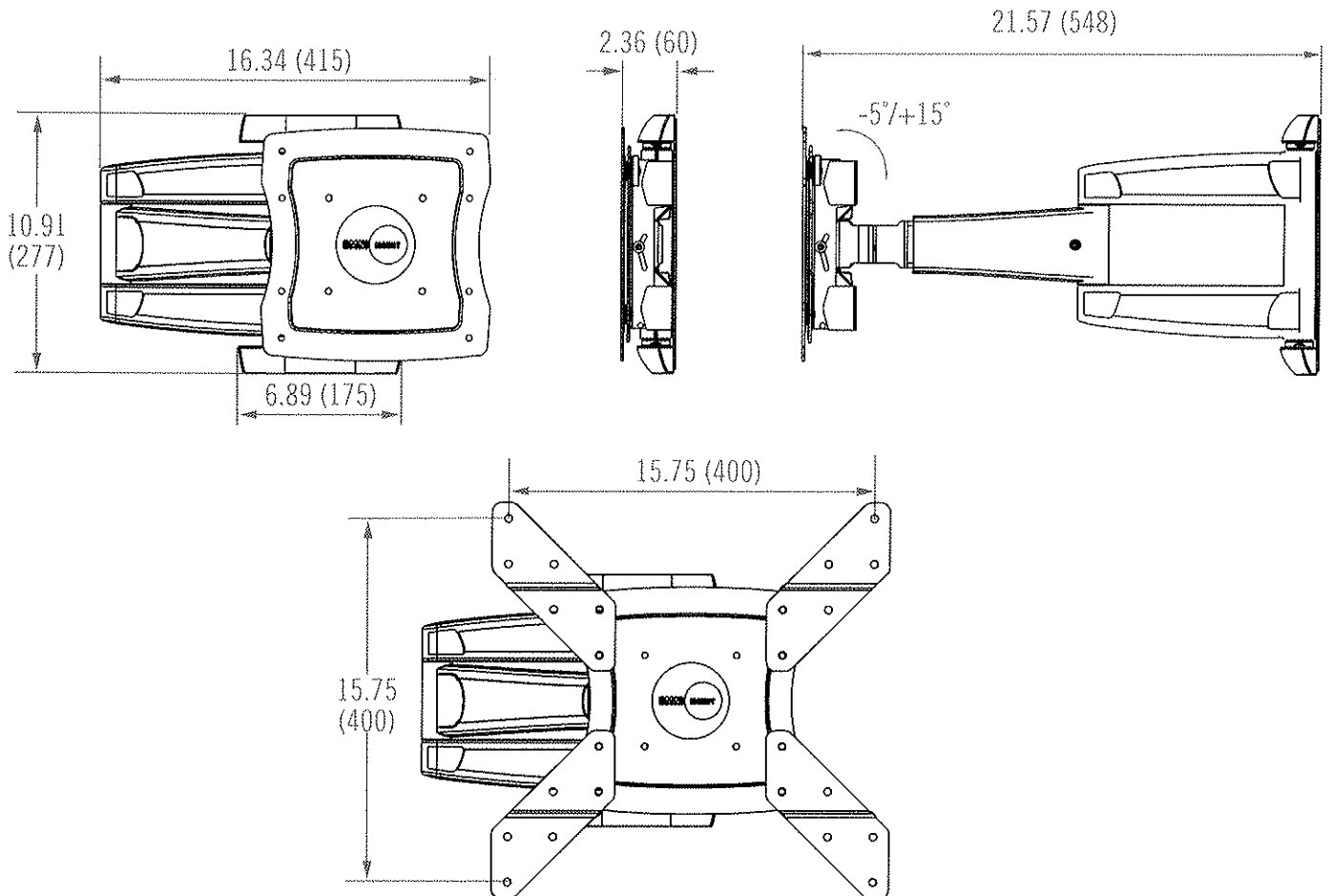
	Stock Code	Packaging UPC	MC UPC
Americas	1004548-1	728901023958	728901717406
International	NA	NA	NA

	Dimensions WxDxH Inches (mm)	Wt lbs (kg)
Product Box	16.9 x 23 x 11.9 (430x585x303)	36.6 (16.6)
Master Carton	TBD	TBD

Box Contents	Qty
Monitor plate	1
Cantilever arm	1
Wall rail	2
Wall rail cover	2
Wing adapter	4

Box Contents	Qty
Cable cover	3
Complete mount installation hardware kit	1
Complete panel attachment hardware kit	1
Installation template	1
Instruction manual	1

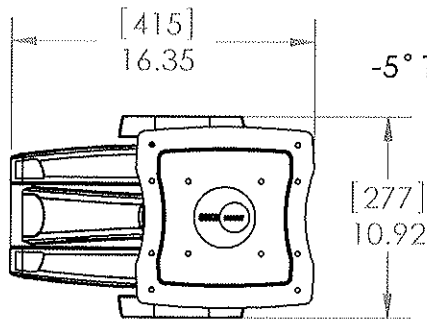
LPHDM-C line drawing



inches (mm)

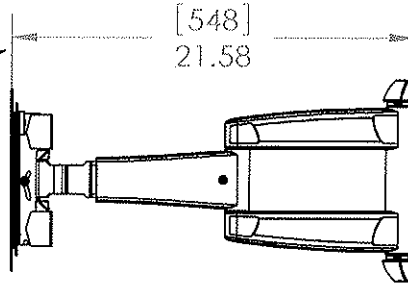
Architects Specifications

The flat panel wall mount shall be an OmniMount model LPHDM-C and shall be located where indicated on the plans. It shall be constructed of sheet metal with $-5^{\circ}/+15^{\circ}$ adjustable tilt. Assembly and installation shall be done according to instructions provided by the manufacturer.

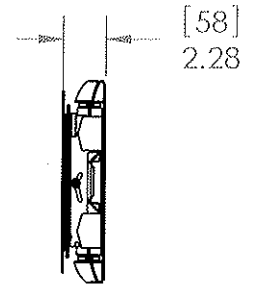


FRONT VIEW

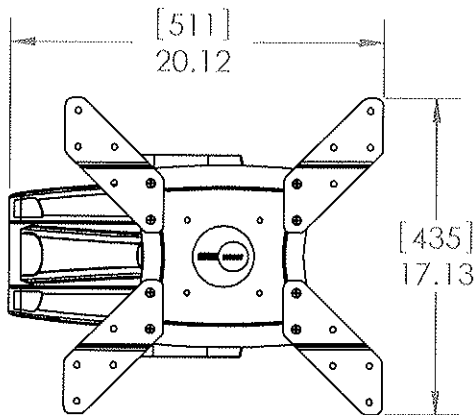
-5° TO +15°



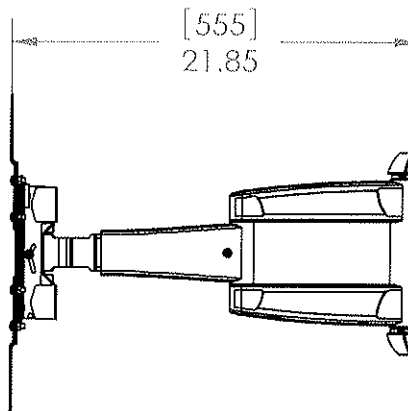
MAXIMUM EXTENSION



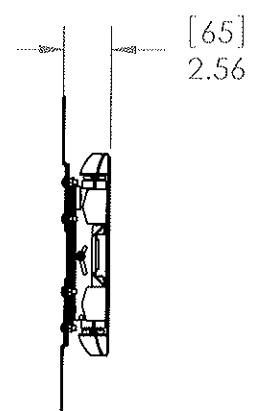
MOUNTING PROFILE



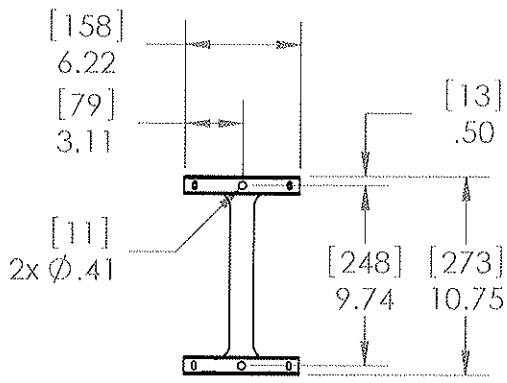
FRONT VIEW WITH ADAPTERS



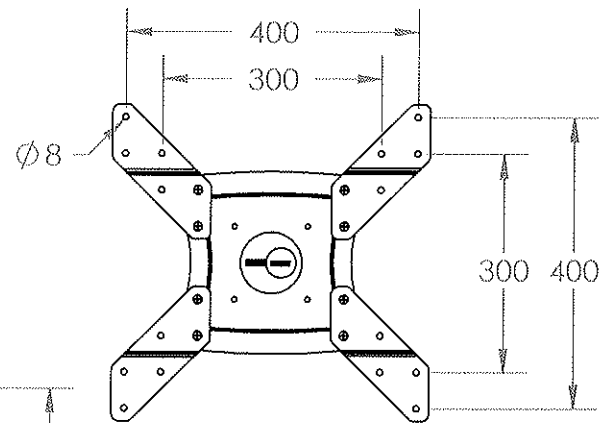
MAXIMUM EXTENSION WITH ADAPTERS



MOUNTING PROFILE WITH ADAPTERS



WALL MOUNTING



PANEL ATTACHMENT - VESA COMPATABILITY (mm) WITH ADAPTERS

PANEL ATTACHMENT - VESA COMPATABILITY (mm)

DIMENSIONS ARE IN INCHES
 TOLERANCES:
 FRACTIONAL ±
 ANGULAR: MACH ± BEND ±
 TWO PLACE DECIMAL ±
 THREE PLACE DECIMAL ±

MATERIAL

FINISH

DO NOT SCALE DRAWING

NAME DATE

DRAWN IDE
 CHECKED
 ENG APPR.
 MFG APPR.
 Q.A.
 COMMENTS:

Medium Low Profile Cantilever Mount

SIZE DWG. NO.

A

LPHDM-C

REV.

SCALE 1:10 WEIGHT:

SHEET 1 OF 1

PROPRIETARY AND CONFIDENTIAL
 THE INFORMATION CONTAINED IN THIS DRAWING IS THE SOLE PROPERTY OF OMNIMOUNT SYSTEMS INC. ANY REPRODUCTION IN PART OR AS A WHOLE WITHOUT THE WRITTEN PERMISSION OF OMNIMOUNT SYSTEMS INC. IS PROHIBITED.

NEXT ASSY USED ON

APPLICATION

TOSHIBA
Leading Innovation >>>

32C110U

Now playing: epic HDTV value.

Toshiba 32" class C110U delivers a unique blend of quality, innovation and affordability.



Think you need to break your budget to enjoy blockbuster HD entertainment? Not with Toshiba's 32" class C110U LCD HDTV. Featuring all-new design, this value-packed television looks great and works well in a living room, kitchen or bedroom. Increase detail and depth of the images on your screen with our impressive Dynalight™ technology. And do it all with the assurance of famous Toshiba quality and reliability. Want more memorable entertainment for your money? Our LCD HDTV series delivers.

Key Features:



720p Resolution

With almost 1 million pixels available, 720p resolution helps breathe new life into your favorite programs, movies and games.



Dynalight™

Increase detail and depth of the images on your screen with Dynalight™, a technology that monitors the brightness level of each video frame, even in low light settings.



PC Input

Easily connect your PC to your TV for the big screen experience.



2 HDMI®-CEC

Easily connect to high-definition video, and amazingly immersive surround sound in one cable.



USB Connection

Easily connect to your favorite tunes and photos, create slideshows, or listen to your personal playlists with this feature.

Toshiba 32C110U

Cabinet

- Screen Size Class: 32 in.
- Actual Screen Size Diagonal: 31.5 in.

Panel Specifications

- Backlighting System: CCFL
- Resolution: 720p
- Frame Rate: 60Hz
- Backlighting Control: DynaLight™

Video Chassis

- **Native Mode™:** Easily take control with Native Mode™! This technology displays the image edges normally lost to over-scanning.
- **Gaming Mode:** Initiate the gaming experience by reducing game controller delay with Gaming Mode.

Audio

- Invisible Speaker System Design
- Speaker: 7W + 7W
- Mute/Half Mute

Convenience

- Input Labeling
- Channel Browser
- Sleep Timer
- Remote Control

Jack Pack

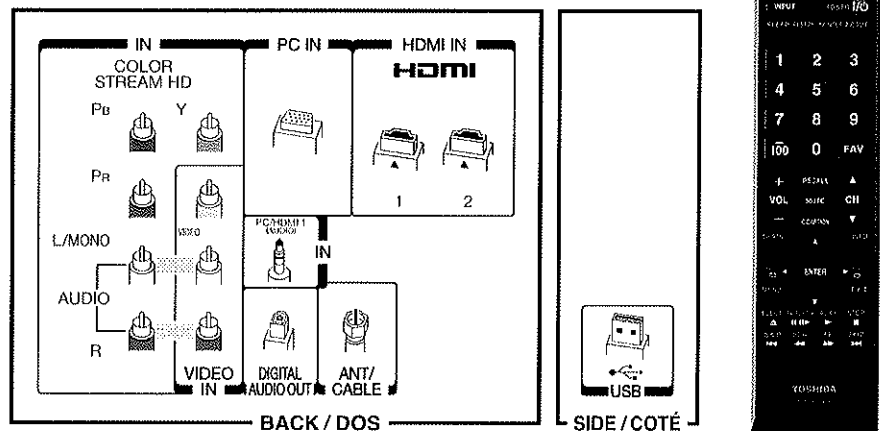
- **HDMI® Digital Inputs²:** 2 w/CEC
Easily connect to high-definition video, and amazingly immersive surround sound in one cable.
- **ColorStream® Component Video Inputs:** 1
- **PC Input:** 1 Hi-Res
- **USB Ports:** 1 (Music/Photo)
- **Composite:** 1

Product and Packaging

- **VESA Mounting Pattern³:**
200mm × 200mm
- **Limited Warranty:** 1 Year
Parts & Labor
- **Dimensions w/ Stand (W×H×D):**
31.21 in. × 21.72 in. × 9.65 in.
Weight: 20.94 lbs.
- **Dimensions w/o Stand (W×H×D):**
31.21 in. × 19.82 in. × 3.52 in.
Weight: 19.62 lbs.
- **Shipping Dimensions (W×H×D):**
34.49 in. × 23.11 in. × 7.40 in.
Weight: 29.76 lbs.

UPC

- 022265004258



TOSHIBA
Leading Innovation >>>

¹While every effort has been made at the time of publication to ensure the accuracy of the information provided herein, product specifications, configurations, system/component/options availability are all subject to change without notice.

²HDMI®-CEC Use of HDMI®-CEC requires an HDMI®-CEC compatible display/peripheral device. Depending on the specifications of your device, some or all HDMI®-CEC functions may not work even if your display/peripheral device is HDMI®-CEC compatible.

³VESA® Mounting Pattern If you decide to wall mount your Toshiba television, always use a UL Listed wall bracket appropriate for the size and weight of the television. Care should be taken to place or install the display where it cannot be pushed, pulled over, or knocked down.

TOSHIBA
Leading Innovation >>>

55G310U

Experience fabulous sights, sounds and savings



Toshiba LCD HDTVs blend quality, innovation and affordability to deliver truly memorable entertainment.

Think you need to break your budget to enjoy blockbuster HD entertainment? Not with Toshiba's 55" class LCD HDTV G310 series. Featuring all-new designs, these value-packed televisions look great and work great in a living room, kitchen or bedroom. Watch your favorite movies and programming in 1080p full HD. Savor fast-action sports or edge-of-your-seat gaming clearly thanks to our exclusive CineSpeed® Panel or ClearFrame™ 120 Hz technology. Show your latest vacation videos and pics with a high-res PC connection. And do it all with the assurance of famous Toshiba quality and reliability. Want more memorable entertainment for your money? Our LCD HDTV series delivers.

Key Features:



1080p Resolution

See colors and details like you never have before! Enjoy the highest level of HD picture quality with 1080p Full HD.



ClearFrame™ 120Hz

Action packed content has never looked better! Using advanced computer processing, ClearFrame™ 120Hz improves picture clarity and reduces motion blur.



Hi-Res PC Input

Enjoy high definition images when you connect your PC to your TV.



3 HDMI®-CEC

Easily connect to high-definition video, and amazingly immersive surround sound in one cable.



Invisible Speaker Design

Equipped with invisible stereo speaker design, LCD HD TVs pipe out clear, natural sound that makes movies and gaming so much more.

Toshiba 55G310U

Cabinet

- Screen Size Class: 55 in.
- Actual Screen Size Diagonal: 54.6 in.

Panel Specifications

- Backlighting System: CCFL
- Resolution: 1080p
- Frame Rate: ClearFrame™ 120Hz
- Backlighting Control: DynaLight™
- CineSpeed® Panel

Video Chassis

- **Native Mode™:** Easily take control with Native Mode™! This technology displays the image edges normally lost to over-scanning.
- **Gaming Mode:** Initiate the gaming experience by reducing game controller delay with Gaming Mode.

Audio

- Invisible Speaker System Design
- Speaker: 7W + 7W
- Mute/Half Mute

Convenience

- Input Labeling
- Channel Browser
- Sleep Timer
- Remote Control

Jack Pack

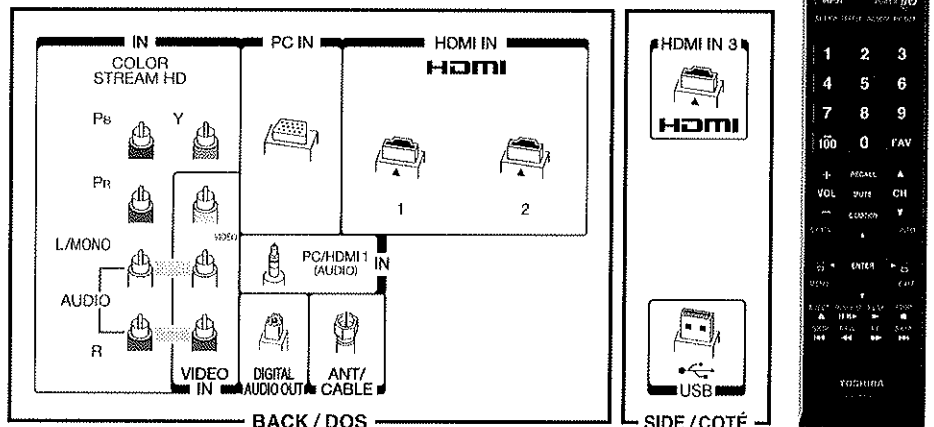
- **HDMI® Digital Inputs²:** 3 w/CEC
Easily connect to high-definition video, and amazingly immersive surround sound in one cable.
- **ColorStream® Component Video Inputs:** 1
- **PC Input:** 1 Hi-Res
- **USB Ports:** 1 (Music/Photo)
- **Composite:** 1

Product and Packaging

- **VESA Mounting Pattern³:**
400mm × 400mm
- **Limited Warranty:** 1 Year Parts & Labor
- **Dimensions w/ Stand (W×H×D):**
52.28 in. × 36.28 in. × 16.93 in.
Weight: 73.85 lbs.
- **Dimensions w/o Stand (W×H×D):**
52.28 in. × 33.49 in. × 4.09 in.
Weight: 66.80 lbs.
- **Shipping Dimensions (W×H×D):**
58.82 in. × 37.64 in. × 11.02 in.
Weight: 90.39 lbs.

UPC

- 022265004302



TOSHIBA
Leading Innovation >>>

¹While every effort has been made at the time of publication to ensure the accuracy of the information provided herein, product specifications, configurations, system/component/options availability are all subject to change without notice.

²HDMI®-CEC Use of HDMI®-CEC requires an HDMI®-CEC compatible display/peripheral device. Depending on the specifications of your device, some or all HDMI®-CEC functions may not work even if your display/peripheral device is HDMI®-CEC compatible.

³VESA® Mounting Pattern If you decide to wall mount your Toshiba television, always use a UL Listed wall bracket appropriate for the size and weight of the television. Care should be taken to place or install the display where it cannot be pushed, pulled over, or knocked down.

LED TV SERIES 5 5500

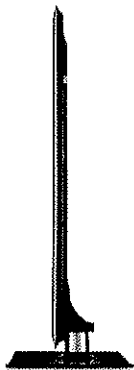
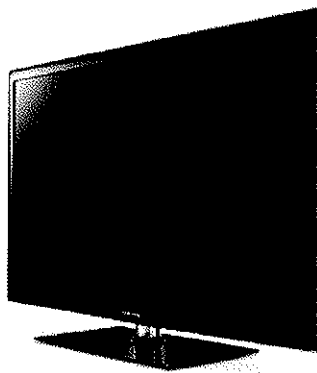
LED High-Definition TV with 1080p Resolution

AVAILABLE SCREEN SIZES:

40" – UN40D5500



ToC
Touch of Colour



An elegant blend of practicality and connection

For the best possible Full HD picture quality the LED TV Series 5500 offers the unique HyperReal™ Engine and Wide Color Enhancer Plus for sharper colour and enhanced contrast. And like other higher models, the Full HD Series 5500 comes with standard, cutting-edge features such as Samsung's AllShare™ and Anynet+™ technology, ConnectShare™ Movie and HDMI inputs, and SRS TheaterSound® for a full entertainment experience. And let's not forget access to the world's first TV App store and the innovative Smart Hub feature that transforms your TV into the center of your digital world. In addition, Samsung continues to lead the way with its dedication to products that are gentle on the environment so that we can all live on a greener, cleaner planet.

TV/VIDEO

- Full HD 1080p Resolution
- Clear Motion Rate 120
- Touch of Colour™ Design
- Ultra-Slim Depth
- HyperReal™ Engine
- AllShare™ DLNA Certified™
- Wide Color Enhancer Plus
- ConnectShare™ Movie
- Ultra-Low Power Consumption
- Game Mode
- Eco Sensor
- Energy Star®

AUDIO

- Dolby® Digital Plus & Dolby Pulse
- SRS TheaterSound HD®
- 10W per Channel

CONNECTIONS

- 4 HDMI™ with Anynet+™ (CEC)
- 2 USB Ports
- 1 Component Video Input
- 2 Composite Video Inputs
- 1 PC with Audio Input
- 1 Ethernet Port
- 1 Digital Optical Output

ADDITIONAL FEATURES

- Swivel Stand



LED TV SERIES 5 5500

LED High-Definition TV with 1080p Resolution

FEATURES

Touch of Colour™ Design

The sensational style of Samsung Series 5500 LED TV touches all of the senses. Drawing its inspiration from the wonders of nature, the eco-friendly ToC™ (Touch of Colour) effect is a reflection of true timeless elegance and beauty. The subtle colour shifts in its liquid crystal bezel uplift and infuse a sense of organic quality and contemporary clarity that gently accentuate any environment.

Full HD 1080P

Experience the natural beauty of reality with Samsung's Full HD LED TVs. With twice the resolution of standard HDTVs, images defy your mind and home entertainment experience. The rich, realistic texture of Full HD images invites you to enjoy a viewing experience unlike anything you've seen before.

Clear Motion Rate

Refresh rate (Hz) is only a third of the story. Clear Motion Rate (CMR) by Samsung measures the true clarity performance of a TV. Using the Chipset, TV Panel and the Backlight together, CMR measurements express the TV's true ability to resolve detail in fast moving images.

ConnectShare™ Movie

With ConnectShare™ Movie simply plug in your USB memory drive or HDD into the TV and instantaneously enjoy a range of movies, photos and music on your LED TV. So instead of watching movies on your PC, you can download them onto a USB and watch them in the comfort of your living room on your TV. Experience the natural beauty of reality with Samsung's Full HD LED TVs. With twice the resolution of standard HDTVs, images defy your mind and home entertainment experience. The rich, realistic texture of Full HD images invites you to enjoy a viewing experience unlike anything you've seen before.

HyperReal™ Engine

The driving force behind the amazing colour and realistic images of Samsung's new LED TVs is the innovative HyperReal™ Engine. By optimizing performance and image enhancement, the Samsung HyperReal™ Engine provides the most vibrant and crystal-clear Full HD images.

AllShare™ DLNA Certified™

AllShare™ not only allows your TV to wirelessly connect with your compatible mobile devices, it also helps to enhance your overall Smart TV experience. That means you can share movies, photos and music all through a single device—your TV.

Wide Color Enhancer Plus

Wide Color Enhancer Plus is just that—a superior colour enhancer. It drastically improves the quality of any image and even uncovers hidden colours and details. Automatically, it corrects and enhances the levels of green, blue, red, yellow, cyan and magenta in images that would otherwise look washed out and lifeless.

4 HDMI

Transform your living room into a multimedia entertainment centre. HDMI provides high-speed transmission of high definition digital data from multiple devices straight into your TV.

USB Ports

Enjoy movies, music, pictures and even charge your Samsung mobile devices through the multiple USB ports available on your TV.

AUDIO

Dolby Pulse

Technology delivers high-quality multichannel content and is the ideal solution for bandwidth-critical services like next-generation HDTV, cable, and satellite providers. Broadcasters can now transmit stereo and 5.1-channel audio, occupying the lowest bandwidth while maintaining high audio quality.

SRS TheaterSound®

An all-in-one audio suite that automatically detects and consistently levels abrupt volume fluctuations that normally occur when TV programming switches to commercial break or while changing channels. It also delivers up to 5.1 surround sound from multichannel content using built-in TV speakers while enhancing sound depth and dimension.

WARRANTY

1 Year Parts and Labour Warranty.
90 days parts and labour for commercial use, with in-home service, backed by Samsung toll-free support. 1-800-SAMSUNG

NET DIMENSIONS & WEIGHT (WXHXD)

SIZE	IMPERIAL (inches / lbs)	METRIC (mm / kg)
40"	WITHOUT STAND / WEIGHT 37.6 x 22.5 x 1.1 / 24.4	955.8 x 574 x 29.9 / 11.08
	WITH STAND / WEIGHT 37.6 x 25.1 x 10 / 31.6	955.8 x 638.5 x 255 / 14.36
	PACKAGE / WEIGHT 46.6 x 26.8 x 4.7 / 39	1185 x 681 x 120 / 17.7

ORDER CODE
UN40D5500RFXZC

UPC
770332086385

ACCESSORIES

Remote Control

Full Samsung Electronics Co., Ltd. LED TV rights reserved. Samsung is a registered trademark of Samsung Electronics Co., Ltd. All other product and brand names are trademarks or registered trademarks of their respective owners.

Not a network capable and does not support network (HDMI, Ethernet) and other network features. Samsung Electronics Co., Ltd. is not responsible for any damage or loss of data.

© 2010 Samsung Electronics Co., Ltd. All rights reserved. Samsung is a registered trademark of Samsung Electronics Co., Ltd.

LED TV is a registered trademark of Samsung Electronics Co., Ltd.

All other product and brand names are trademarks or registered trademarks of their respective owners.

ConnectShare is a trademark of Samsung Electronics Co., Ltd.

SAMSUNG

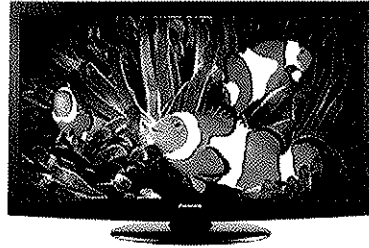
Panasonic ideas for life

consumer | business | industrial
support | search

> [Professional Series Plasma Displays](#) > TH42LRU30

TH42LRU30

The TH-42LRU30 42" 1080p LCD combines impressive image quality and a sleek, sophisticated, space-saving design with built-in hidden speakers that allow these stylish displays to fit easily into any hotel environment. Built with hotel specifications, these new LCD displays offer the benefit and flexibility of integrated TV solutions with built-in tuners and SD card slots.



[Print this page](#)

[Email this page](#)

[View/compare all models](#)

U.S. List Price \$1,170.00

[overview](#)

[features](#)

The LRU30 displays include built-in digital tuners with Pro:Idiom Tri-band tuning, making them compatible with most major PPV systems. A terminal adapter is built in which makes installation simpler and without the need for additional external boxes. Cloning can also be done simply with the use of an SD card, allowing for the easy transfer of all settings to a large number of units without having to set up individual TVs by remote. This new hospitality series was designed for easy connection to many external devices while existing devices can be quickly linked via the RS-232C interface. Soundbar-type home theater systems and other high-end audio systems can also be added by digital connection.

These stylish matte-black displays come fully-equipped with many additional functions that not only enhance the viewing experience, but also serve to increase hotel security by including a locking pedestal stand that rotates 90° in both directions. Choose from three settings of 30°, 60°, 90°. These displays have versatile input terminals for HDMI (x3), Component Video, and PC (D-sub 15) (x1). HDMI and composite inputs are available on the side of the unit for easy connection to other sources of video.

Built-in Hotel Features - Panasonic Hospitality Flat Panel displays offer a host of convenient, built-in features for hotels including the following:

Initial Input - used when you want to display a certain source each time the power is turned on

Initial Volume Level - sets sound level when display is turned on

Button Lock - limits use of certain buttons on display unit

Input Lock - locks input source in place

Maximum Volume Level - limits the sound level that users can access

Remocon User Level - restricts access to certain buttons on the remote control

Customizable Welcome Screen - an image can be loaded and displayed when LCD is powered on.

Five-Star Visual Experience - Panasonic flat panel displays offer a world-class visual experience with stunning and captivating images even in bright rooms. An ultra-wide viewing angle allows the LCD panel to be viewed from nearly anywhere in the room.

As with the rest of our professional display models, these models are backed by a comprehensive 2-year on-site parts and labor limited warranty. And as always,

our Panasonic Concierge Service provides a toll-free hotline and 24-hour priority scheduling of on-site service if the display is in need of service or repair.

Fast & Easy FTG Channel Management

With the FMA 101, updated channel information is distributed directly from the headend to the guest room TVs

The FMA 101:

Supports all Panasonic LRU30 TVs with embedded b-LAN™* (EBL) technology

Manages channel lineup and label changes

Denotes Pro:Idiom® encrypted content to enable Pro:Idiom® tuning

Designates a "first-up" channel

Broadcasts synchronized time/date to all FTG devices on a regular basis

For smaller properties, Pro:Idiom® Authentication and channel remapping can be configured in each room using an SD Card

Features, specifications & pricing subject to change without notice.
Copyright © 2009 Panasonic Corporation of North America. All rights reserved.
*** See Online Privacy Policy ***

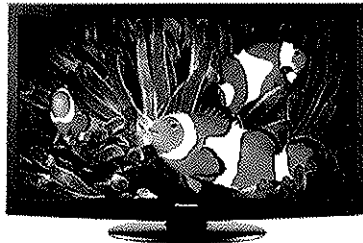
Panasonic ideas for life




consumer | business | industrial
support | search

> Professional Series Plasma Displays > TH42LRU30

TH42LRU30

The TH-42LRU30 42" 1080p LCD combines impressive image quality and a sleek, sophisticated, space-saving design with built-in hidden speakers that allow these stylish displays to fit easily into any hotel environment. Built with hotel specifications, these new LCD displays offer the benefit and flexibility of integrated TV solutions with built-in tuners and SD card slots.



-  [Print this page](#)
-  [Email this page](#)
-  [View/compare all models](#)

U.S. List Price \$1,170.00

overview

features

Screen Size	42-inch
Aspect Ratio	16:9
Panel	IPS 1080p (WSXGA)
Number of Pixels (H x V)	1920 x 1080 pixels
Brightness	450 cd/m2
Contrast Ratio	20,000 : 1
Viewing Angle (degrees)	178°
Response Time	7ms (G to G)
Panel Life	approx. 60,000 hours
Intelligent Scene Controller	Yes
ATSC/NTSC/QAM	Yes
FTG Pro:Idiom HD Support	EBL (embedded b-LAN, requires FMA-PA101 Server) or Local Authentication via SD Card
Video Codec	MPEG2/MPEG4/H.264
RF IN (Antenna/Cable)	1
Video In	RCA X 1 (rear), RCA x 1 (side) 1.0v [p-p] (75 Ω)
Audio Input (L/R)	RCA (L/R) x 1 set (rear), 1 set (side) 0.5V[rms] RCA x 1 set 0.5V[rms] RCA pin jack x 1 (rear) common with component 0.5V[rms]
AUDIO OUT (Digital)	Optical x 1 (rear)
AUDIO OUT (Analog)	M3 jack x 1 (rear)
DATA/MTI	RJ11 x 1 (Compatible with LodgeNet game controller)
Serial	M3 jack x 1
Component/RGB Input	RCA X 3 Y: with sync 1.0V [p-p] (75Ω), PB,PR: 0.7 V [p-p] (75Ω)
HDMI Input	HDMI TYPE A connector x 2 (rear), x 1 (side)
PC In	MINI D-SUB 15pin x1 (Female) G: with sync 1.0V [p-p] (75Ω), B, R: 0.7 V [p-p] (75Ω) HD/VD: 1.0~5.0V [p-p] (high impedance)

Power Requirements	110-127V AC, 60Hz (AC Power Cord 90.6" (2.3m))
Power Consumption	206W
On Mode Average Power Consumption	113W
Power off condition	0.9W
Stand-by condition	0.9W
Weight (approx.)	approx 38.6 lbs (17.5 kg)
Gross Weight	approx 59.5lbs (27.0kg)
Cabinet Color	Matte Black
Operating Temperature	32° to 95°F (0°C to 35°C)
Operating Humidity	20% - 80% (Non condensation)
Storage Temperature	-4° to 140°F (0°C to 60°C)
Storage Humidity	20% to 90% (non condensation)
Safety Standards	UL6500 Ver. 2
Dimensions - TV with Stand (W x H x D)	40.2" x 26.9" x 12.6" (1021 x 682 x 318 mm)
Dimensions - TV without Stand (W x H x D)	40.2" x 25.1" x 4.2" (1021 x 637 x 105 mm)
Weight with stand	approx 47.7lbs (21.6kg)
Radiation Regulation	FCC Part 15 Class-B, ICES-003, ISTA
Included Accessories	-Secure Swivel Stand -Remote Control -Operating Instructions
Audio Output Power	10W + 10W (10% THD)
Built in Speakers	Yes (1 way 2 bottom speakers)
AV Surround	Yes
Bass/Treble/Balance Control	Yes
Energy star 5.3	Yes

Features, specifications & pricing subject to change without notice.
 Copyright © 2009 Panasonic Corporation of North America. All rights reserved.
 *** See Online Privacy Policy ***