



State of West Virginia  
 Department of Administration  
 Purchasing Division  
 2019 Washington Street East  
 Post Office Box 50130  
 Charleston, WV 25305-0130

# Request for Quotation

RFQ NUMBER
08120271

PAGE
1

ADDRESS CORRESPONDENCE TO ATTENTION OF:
ALAN CUMMINGS 304-558-2402

VENDOR	*621152258	304-842-0367
	JAMATT INC	
	RT 1 351 CLEMANS RD	
	FLEMINGTON WV 26347	

SHIP TO	DIVISION OF HIGHWAYS
	DISTRICT EIGHT
	US 219, NORTH PARSONS ROAD
	PO BOX 1516
	ELKINS, WV 26241
	304-637-0228

DATE PRINTED	TERMS OF SALE	SHIP VIA	F.O.B.	FREIGHT TERMS
03/28/2012				

BID OPENING DATE: 04/11/2012 BID OPENING TIME 01:30PM

LINE	QUANTITY	UOP	CAT NO	ITEM NUMBER	UNIT PRICE	AMOUNT
0001	27,003	LB		570-84	SEE COST SHEET PAGE 8	\$ 40,368.52
<p>GALVANIZED STRUCTURAL STEEL</p> <p>THE WEST VIRGINIA STATE PURCHASING DIVISION FOR THE AGENCY, THE WEST VIRGINIA DIVISION OF HIGHWAYS, IS SOLICITING BIDS TO PROVIDE THE AGENCY WITH GALVANIZED STRUCTURAL STEEL PER THE ATTACHED SPECIFICATIONS.</p> <p>BANKRUPTCY: IN THE EVENT THE VENDOR/CONTRACTOR FILES FOR BANKRUPTCY PROTECTION, THE STATE MAY DEEM THE CONTRACT NULL AND VOID, AND TERMINATE SUCH CONTRACT WITHOUT FURTHER ORDER.</p> <p>CANCELLATION: THE DIRECTOR OF PURCHASING RESERVES THE RIGHT TO CANCEL THIS CONTRACT IMMEDIATELY UPON WRITTEN NOTICE TO THE VENDOR IF THE COMMODITIES AND/OR SERVICES SUPPLIED ARE OF AN INFERIOR QUALITY OR DO NOT CONFORM TO THE SPECIFICATIONS OF THE BID AND CONTRACT HEREIN.</p> <p>PREFERENCE FOR USE OF DOMESTIC STEEL PRODUCTS</p> <p>1. EXCEPT WHEN AUTHORIZED BY THE DIRECTOR OF THE PURCHASING DIVISION PURSUANT TO SUBSECTION 2 BELOW, NO CONTRACTOR MAY USE OR SUPPLY STEEL PRODUCTS FOR A STATE CONTRACT PROJECT OTHER THAN THOSE STEEL PRODUCTS MADE IN THE UNITED STATES. AS USED IN THIS CONTRACT,</p> <p>A. "STATE CONTRACT PROJECT" MEANS ANY ERECTION OR CONSTRUCTION OF, OR ANY ADDITION TO, ALTERATION OF OR OTHER IMPROVEMENT TO ANY BUILDING OR</p>						

RECEIVED  
 2012 APR 11 AM 10:08  
 WV PURCHASING DIVISION

SEE REVERSE SIDE FOR TERMS AND CONDITIONS			
SIGNATURE	TELEPHONE	DATE	
<i>James C. Mattingly</i>	304-842-0367	04/10/2012	
TITLE	FEIN	ADDRESS CHANGES TO BE NOTED ABOVE	
PRESIDENT	20-1894398		

WHEN RESPONDING TO RFQ, INSERT NAME AND ADDRESS IN SPACE ABOVE LABELED 'VENDOR'

## GENERAL TERMS & CONDITIONS REQUEST FOR QUOTATION (RFQ) AND REQUEST FOR PROPOSAL (RFP)

1. Awards will be made in the best interest of the State of West Virginia.
2. The State may accept or reject in part, or in whole, any bid.
3. Prior to any award, the apparent successful vendor must be properly registered with the Purchasing Division and have paid the required \$125 fee.
4. All services performed or goods delivered under State Purchase Order/Contracts are to be continued for the term of the Purchase Order/Contracts, contingent upon funds being appropriated by the Legislature or otherwise being made available. In the event funds are not appropriated or otherwise available for these services or goods this Purchase Order/Contract becomes void and of no effect after June 30.
5. Payment may only be made after the delivery and acceptance of goods or services.
6. Interest may be paid for late payment in accordance with the *West Virginia Code*.
7. Vendor preference will be granted upon written request in accordance with the *West Virginia Code*.
8. The State of West Virginia is exempt from federal and state taxes and will not pay or reimburse such taxes.
9. The Director of Purchasing may cancel any Purchase Order/Contract upon 30 days written notice to the seller.
10. The laws of the State of West Virginia and the *Legislative Rules* of the Purchasing Division shall govern the purchasing process.
11. Any reference to automatic renewal is hereby deleted. The Contract may be renewed only upon mutual written agreement of the parties.
12. **BANKRUPTCY:** In the event the vendor/contractor files for bankruptcy protection, the State may deem this contract null and void, and terminate such contract without further order.
13. **HIPAA BUSINESS ASSOCIATE ADDENDUM:** The West Virginia State Government HIPAA Business Associate Addendum (BAA), approved by the Attorney General, is available online at [www.state.wv.us/admin/purchase/vrc/hipaa.html](http://www.state.wv.us/admin/purchase/vrc/hipaa.html) and is hereby made part of the agreement provided that the Agency meets the definition of a Cover Entity (45 CFR §160.103) and will be disclosing Protected Health Information (45 CFR §160.103) to the vendor.
14. **CONFIDENTIALITY:** The vendor agrees that he or she will not disclose to anyone, directly or indirectly, any such personally identifiable information or other confidential information gained from the agency, unless the individual who is the subject of the information consents to the disclosure in writing or the disclosure is made pursuant to the agency's policies, procedures, and rules. Vendor further agrees to comply with the Confidentiality Policies and Information Security Accountability Requirements, set forth in <http://www.state.wv.us/admin/purchase/privacy/noticeConfidentiality.pdf>.
15. **LICENSING:** Vendors must be licensed and in good standing in accordance with any and all state and local laws and requirements by any state or local agency of West Virginia, including, but not limited to, the West Virginia Secretary of State's Office, the West Virginia Tax Department, and the West Virginia Insurance Commission. The vendor must provide all necessary releases to obtain information to enable the director or spending unit to verify that the vendor is licensed and in good standing with the above entities.
16. **ANTITRUST:** In submitting a bid to any agency for the State of West Virginia, the bidder offers and agrees that if the bid is accepted the bidder will convey, sell, assign or transfer to the State of West Virginia all rights, title and interest in and to all causes of action it may now or hereafter acquire under the antitrust laws of the United States and the State of West Virginia for price fixing and/or unreasonable restraints of trade relating to the particular commodities or services purchased or acquired by the State of West Virginia. Such assignment shall be made and become effective at the time the purchasing agency tenders the initial payment to the bidder.

I certify that this bid is made without prior understanding, agreement, or connection with any corporation, firm, limited liability company, partnership, or person or entity submitting a bid for the same material, supplies, equipment or services and is in all respects fair and without collusion or Fraud. I further certify that I am authorized to sign the certification on behalf of the bidder or this bid.

### INSTRUCTIONS TO BIDDERS

1. Use the quotation forms provided by the Purchasing Division. Complete all sections of the quotation form.
2. Items offered must be in compliance with the specifications. Any deviation from the specifications must be clearly indicated by the bidder. Alternates offered by the bidder as **EQUAL** to the specifications must be clearly defined. A bidder offering an alternate should attach complete specifications and literature to the bid. The Purchasing Division may waive minor deviations to specifications.
3. Unit prices shall prevail in case of discrepancy. All quotations are considered F.O.B. destination unless alternate shipping terms are clearly identified in the quotation.
4. All quotations must be delivered by the bidder to the office listed below prior to the date and time of the bid opening. Failure of the bidder to deliver the quotations on time will result in bid disqualifications: Department of Administration, Purchasing Division, 2019 Washington Street East, P.O. Box 50130, Charleston, WV 25305-0130
5. Communication during the solicitation, bid, evaluation or award periods, except through the Purchasing Division, is strictly prohibited (W.Va. C.S.R. §148-1-6.6).



State of West Virginia  
 Department of Administration  
 Purchasing Division  
 2019 Washington Street East  
 Post Office Box 50130  
 Charleston, WV 25305-0130

# Request for Quotation

RFQ NUMBER
08120271

PAGE
2

ADDRESS CORRESPONDENCE TO ATTENTION OF
ALAN CUMMINGS 304-558-2402

VENDOR	*621152258	304-842-0367
	JAMATT INC	
	RT 1 351 CLEMANS RD	
	FLEMINGTON WV 26347	

SHIP TO	DIVISION OF HIGHWAYS	
	DISTRICT EIGHT	
	US 219, NORTH PARSONS ROAD	
	PO BOX 1516	
	ELKINS, WV 26241	304-637-0228

DATE PRINTED	TERMS OF SALE	SHIP VIA	F.O.B.	FREIGHT TERMS
03/28/2012				

BID OPENING DATE: 04/11/2012 BID OPENING TIME 01:30PM

LINE	QUANTITY	UOP	CAT NO	ITEM NUMBER	UNIT PRICE	AMOUNT
				<p>STRUCTURE, INCLUDING, BUT NOT LIMITED TO, ROADS OR HIGHWAYS, OR THE INSTALLATION OF ANY HEATING OR COOLING OR VENTILATING PLANTS OR OTHER EQUIPMENT, OR THE SUPPLY OF AND MATERIALS FOR SUCH PROJECTS, PURSUANT TO A CONTRACT WITH THE STATE OF WEST VIRGINIA FOR WHICH BIDS WERE SOLICITED ON OR AFTER JUNE 6, 2001.</p> <p>B. "STEEL PRODUCTS" MEANS PRODUCTS ROLLED, FORMED, SHAPED, DRAWN, EXTRUDED, FORGED, CAST, FABRICATED OR OTHERWISE SIMILARLY PROCESSED, OR PROCESSED BY A COMBINATION OF TWO OR MORE OF SUCH OPERATIONS, FROM STEEL MADE BY THE OPEN HEARTH, BASIC OXYGEN, ELECTRIC FURNACE, BESSEMER OR OTHER STEEL MAKING PROCESS.</p> <p>C. "UNITED STATES" MEANS THE UNITED STATES OF AMERICA AND INCLUDES ALL TERRITORY, CONTINENTAL OR INSULAR, SUBJECT TO THE JURISDICTION OF THE UNITED STATES.</p> <p>2. THE DIRECTOR OF THE PURCHASING DIVISION MAY, IN WRITING, AUTHORIZE THE USE OF FOREIGN STEEL PRODUCTS IF:</p> <p>A. THE COST FOR EACH CONTRACT ITEM USED DOES NOT EXCEED ONE TENTH OF ONE PERCENT (.1%) OF THE TOTAL CONTRACT COST OR TWO THOUSAND FIVE HUNDRED DOLLARS (2,500.00), WHICHEVER IS GREATER. FOR THE PURPOSES OF THIS SECTION, THE COST IS THE VALUE OF THE STEEL PRODUCT AS DELIVERED TO THE PROJECT OR,</p> <p>B. THE DIRECTOR OF THE PURCHASING DIVISION DETERMINES THAT SPECIFIED STEEL MATERIALS ARE NOT PRODUCED IN THE UNITED STATES IN SUFFICIENT</p>		

SEE REVERSE SIDE FOR TERMS AND CONDITIONS

SIGNATURE	TELEPHONE	DATE
TITLE	FEIN	ADDRESS CHANGES TO BE NOTED ABOVE

WHEN RESPONDING TO RFQ, INSERT NAME AND ADDRESS IN SPACE ABOVE LABELED 'VENDOR'



State of West Virginia  
 Department of Administration  
 Purchasing Division  
 2019 Washington Street East  
 Post Office Box 50130  
 Charleston, WV 25305-0130

# Request for Quotation

RFQ NUMBER  
**08120271**

PAGE  
**3**

ADDRESS CORRESPONDENCE TO ATTENTION OF  
**ALAN CUMMINGS**  
**304-558-2402**

**VENDOR**  
 \*621152258      304-842-0367  
**JAMATT INC**  
**RT 1 351 CLEMANS RD**  
**FLEMINGTON WV 26347**

**SHIP TO**  
**DIVISION OF HIGHWAYS**  
**DISTRICT EIGHT**  
**US 219, NORTH PARSONS ROAD**  
**PO BOX 1516**  
**ELKINS, WV**  
**26241**      **304-637-0228**

DATE PRINTED	TERMS OF SALE	SHIP VIA	F.O.B.	FREIGHT TERMS
03/28/2012				

BID OPENING DATE: **04/11/2012**      BID OPENING TIME **01:30PM**

LINE	QUANTITY	UOP	CAT NO.	ITEM NUMBER	UNIT PRICE	AMOUNT
<p>QUANTITY OR OTHERWISE ARE NOT REASONABLY AVAILABLE TO MEET CONTRACT REQUIREMENTS.</p> <p>3. A CONTRACTOR WHO USES STEEL PRODUCTS IN VIOLATION OF THIS SECTION MAY BE SUBJECT TO CIVIL PENALTIES PURSUANT TO WV CODE SECTION 5A-3-56.</p> <p>REV. 10/01/01</p> <p>NOTICE</p> <p>A SIGNED BID MUST BE SUBMITTED TO:</p> <p>DEPARTMENT OF ADMINISTRATION            PURCHASING DIVISION            BUILDING 15            2019 WASHINGTON STREET, EAST            CHARLESTON, WV 25305-0130</p> <p>THE BID SHOULD CONTAIN THIS INFORMATION ON THE FACE OF THE ENVELOPE OR THE BID MAY NOT BE CONSIDERED:</p> <p>SEALED BID</p> <p>BUYER: ALAN CUMMINGS - FILE 33</p> <p>RFQ. NO.: 08120271</p> <p>BID OPENING DATE: 04/11/2012</p>						

SEE REVERSE SIDE FOR TERMS AND CONDITIONS

SIGNATURE	TELEPHONE	DATE
-----------	-----------	------

TITLE	FEIN	ADDRESS CHANGES TO BE NOTED ABOVE
-------	------	-----------------------------------

WHEN RESPONDING TO RFQ, INSERT NAME AND ADDRESS IN SPACE ABOVE LABELED 'VENDOR'





## 08120271 Specifications

Purpose: To provide the West Virginia Division of Highways with Structural Steel to be used on Project # S347-35/16-1.00, Big Run Steel Bridge.

### 1.0 DEFINITIONS

- A. The "Agency" shall be defined as the West Virginia Division of Highways
- B. The "Vendor" shall be defined as the successful bidder.
- C. The "Purchase Order" shall be defined as the binding agreement that is entered into between the State of West Virginia and the Vendor to provide the services as herein specified.
- D. "Mandatory Requirements: The terms "must", "will", "shall", "minimum", "maximum", or "is/are required" identify a mandatory item or factor. Decisions regarding compliance with any mandatory requirements shall be at the sole discretion of the State.

### 2.0 SCOPE OF WORK

The successful Vendor shall provide Structural Steel as described and detailed.

#### 2.1 Technical Requirements:

All Structural and Reinforcing steel provided shall be in accordance with West Virginia Division of Highways Standard Specifications Roads and Bridges, adopted 2010 and the current Supplemental Specifications and the attached control prints.  
[www.transportation.wv.gov/highways/engineering/Pages/publications.aspx](http://www.transportation.wv.gov/highways/engineering/Pages/publications.aspx)

All galvanizing shall be in accordance with AASHTO M111. Steel designated as AASHTO M270 shall conform to Section S4, Non-Fracture-Critical, Zone 2, toughness testing and requirements.

## 2.2 Freight

2.2.1 All shipments are to be FOB Destination.

## 2.3 Delivery

2.3.1 Deliveries shall be made to:

WVDOH District Eight  
1101 North Randolph Avenue  
Elkins, WV 26241

2.3.2 Delivery is requested by July 31, 2012. Vendor shall coordinate delivery with the District Bridge Engineer @ 304-637-0220.

2.3.3 The Vendor shall notify the District Storekeeper @ 304-637-0226, 48 hours in advance of delivery to provide necessary personnel and equipment for unloading.

2.3.4 Delivery will only be accepted during normal working hours 7:30 am to 4:00 pm, Monday – Friday.

2.3.5 Delivery is an integral part of this purchase order and failure to comply will be cause to initiate a WV-82, Vendor Performance Form. This form will officially notify the West Virginia Division of Purchasing and the Vendor of unsatisfactory performance in the execution of this purchase order and the requirements herein.

### **3.0 INVOICING**

#### **3.1 Payment**

3.1.1 The Vendor must send an invoice to:  
West Virginia Division of Highways, District Eight  
P.O. Box 1516  
Elkins, WV 26241  
Attention: Henry Currence

#### **3.2 Partial Payment of Approved Structural Steel**

3.2.1 Upon completion of manufacture and approval by the Division of Highways of all steel specified on the purchase order, the vendor may invoice and the Division will pay for the cost of manufacturing the steel, not to exceed 65% of the total cost of the delivered steel. The remaining, 35% or more, may be invoiced when all the steel is delivered. Partial payment for steel shall be subject of the following conditions:

- a. The vendor must request partial payment and furnish an official invoice for the manufactured and approved steel.
- b. The partial payment invoice shall be accompanied by a surety bond equal to the invoiced amount guaranteeing delivery of all items specified on the purchase order.
- c. The vendor shall furnish a statement of approved steels' condition and exact storage location.
- d. The vendor shall furnish a legal right-of-entry onto the storage site to Division of Highways' employees and/or agents for the purpose of inspecting, sampling, testing, and removing any or all steel.
- e. The vendor shall certify that the stored steel is suitably marked and identified as property of the Division of Highways and will not be used for any purpose not designated by the Division.

### **4.0 AWARD**

Purchase order will be awarded complete and not split.



**Cost Sheet**  
**RFQ #08120271**

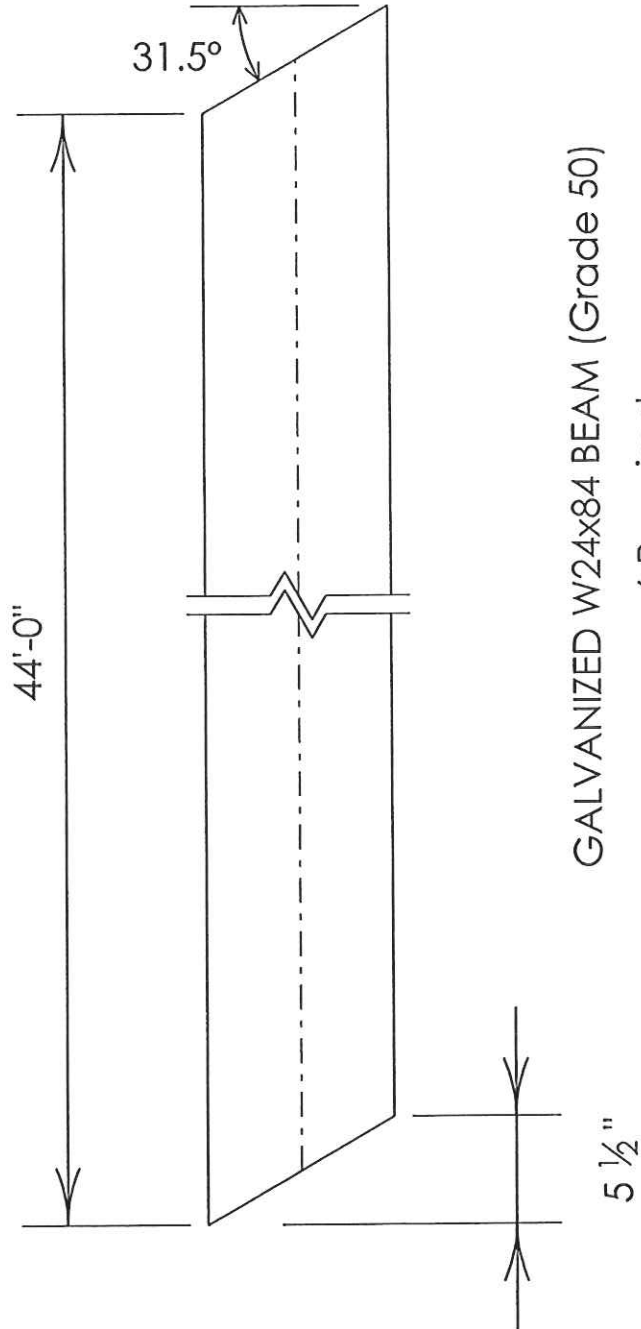
Item Number	Quantity	Unit of Measure	Description	Unit Price	Amount
1	22,176	lb.	W24x84, Galvanized W-shaped Structural Steel, AASHTO M270, Grade 50 Ship 6 pcs @ 44'-0" fabricated in accordance with Sketch #1	# 1.42	\$ 31,489.91
2	1500	lb.	C12x25, Galvanized Structural Steel Channel, AASHTO M270, Grade 50 Ship 3 pcs @ 20'-0"	1.80	2,700.00
3	599	lb.	L 6"x4"x 1/2" (16.2#/LF) Galvanized Structural Steel Angle, AASHTO M270, Grade 50 Ship 2 pcs @ 18'-6" fabricated in accordance with Sketch #2	1.65	988.35
4	486	lb.	L 4"x4"x 1/2" (12.8#/LF) Galvanized Structural Steel Angle, AASHTO M270, Grade 50 Ship 38 pcs @ 1'-0" fabricated in accordance with Sketch #4	1.65	801.90
5	128	lb.	L 4"x4"x 1/2" (12.8#/LF) Galvanized Structural Steel Angle, AASHTO M270, Grade 50 Ship 10 pcs @ 1'-0" fabricated in accordance with Sketch #5	1.75	224.00
6	1304	lb.	6"x6"x1/2" Galv. Structural Steel Tubing (35.24 #/LF), ASTM A500 Ship 2 pcs @ 18'-6" fabricated in accordance with Sketch #3	1.95	2,542.80
7	530	lb.	3/4" x 6" Galvanized Structural Steel Bar (15.3 #/LF), AASHTO M270, Grade 50 Ship 2 pcs @ 17'-4" fabricated in accordance with Sketch #6	2.05	1,086.50
8	123	lb.	3/4" x 6" Galvanized Structural Steel Bar (17.9 #/LF), AASHTO M270, Grade 50 Ship 3 pcs @ 2'-3 1/2" fabricated in accordance with Sketch #7	2.05	252.15
9	138	lb.	3/4" x 6" Galvanized Structural Steel Bar (15.3 #/LF), AASHTO M270, Grade 50 Ship 3 pcs @ 3'-0" fabricated in accordance with Sketch #7	2.05	282.90
				<b>Total</b>	<b>40,368.52</b>

Items for Project S347-35/16-1.00, Big Run Steel Bridge

**JAMATT INC.**  
Route 1, 351 Clemans Road  
Flemington, WV 26347  
304-842-0367

WV DEPT. OF TRANSPORTATION - DIVISION OF HIGHWAYS  
DISTRICT 8, P.O. BOX 1516  
ELKINS, WV 26241

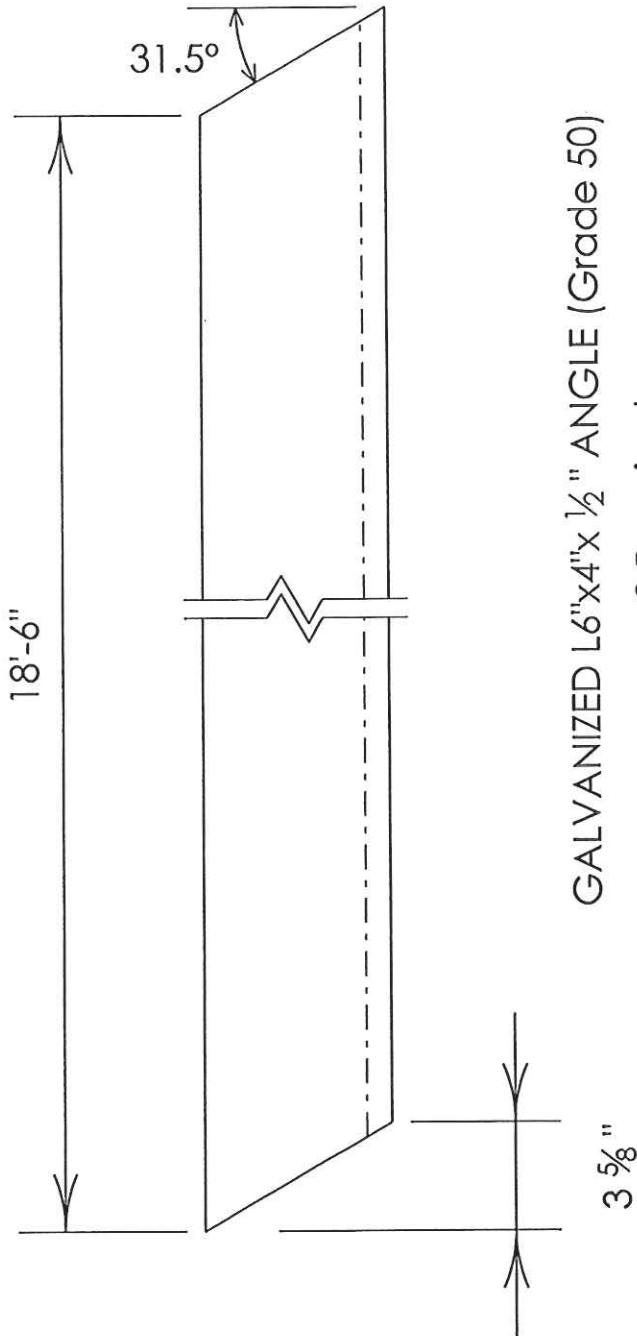
RFQ NO. 08120271  
PAGE 00 OF 00  
SKETCH #1



GALVANIZED W24x84 BEAM (Grade 50)  
6 Required

WV DEPT. OF TRANSPORTATION - DIVISION OF HIGHWAYS  
DISTRICT 8, P.O. BOX 1516  
ELKINS, WV 26241

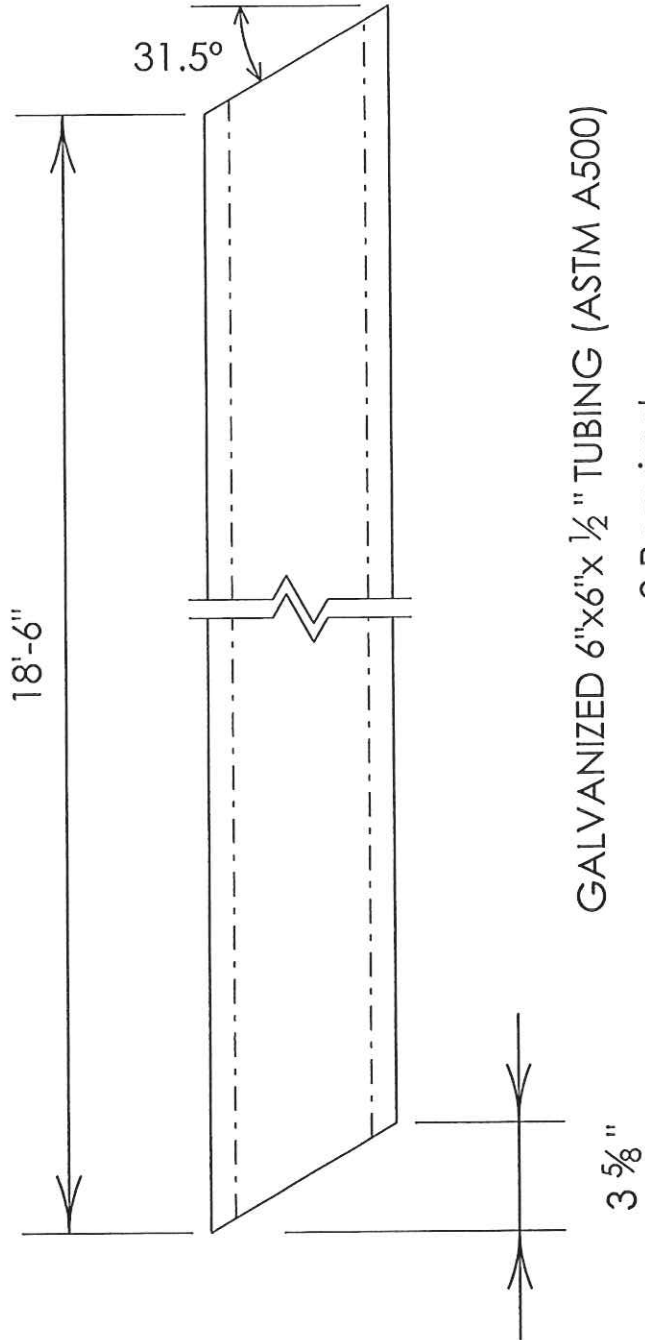
RFQ NO. 08120271  
PAGE 00 OF 00  
SKETCH #2



GALVANIZED L6"x4"x 1/2" ANGLE (Grade 50)  
2 Required

WV DEPT. OF TRANSPORTATION - DIVISION OF HIGHWAYS  
DISTRICT 8, P.O. BOX 1516  
ELKINS, WV 26241

RFQ NO. 08120271  
PAGE 00 OF 00  
SKETCH #3

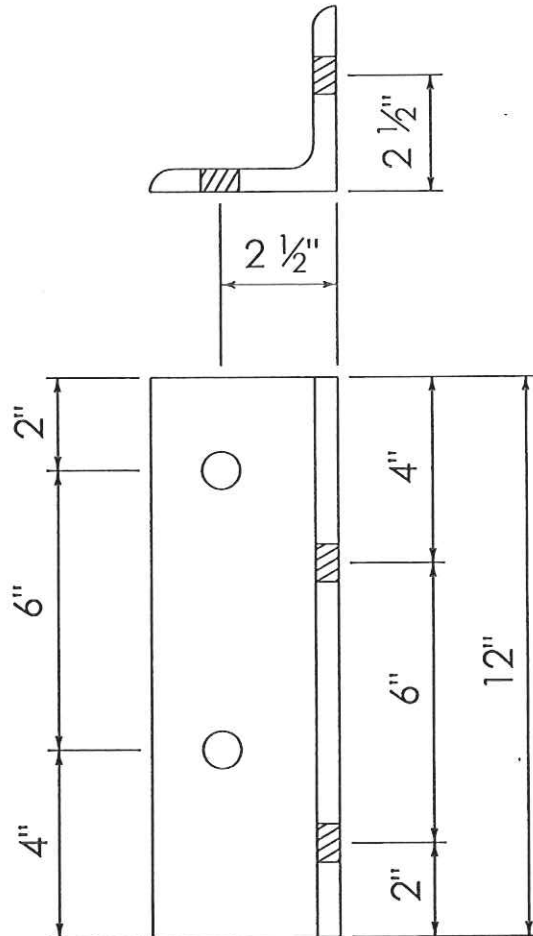


GALVANIZED 6"x6"x 1/2" TUBING (ASTM A500)  
2 Required

WV DEPT. OF TRANSPORTATION - DIVISION OF HIGHWAYS  
DISTRICT 8, P.O. BOX 1516  
ELKINS, WV 26241

RFQ NO. 08120271  
PAGE 00 OF 00  
SKETCH #4

ALL HOLES  $1\frac{3}{16}$ " DIAMETER



GALVANIZED CLIP ANGLE

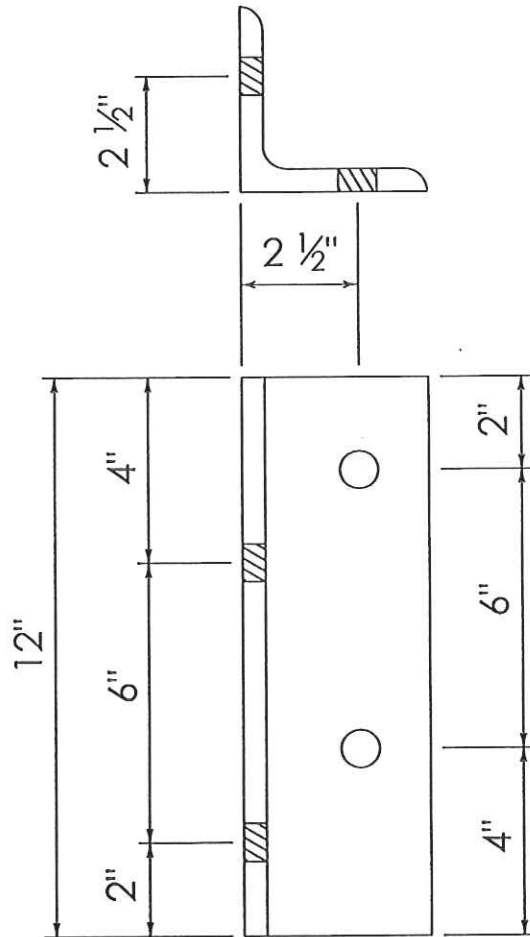
ANGLE 4" x 4" x 1/2" - 38 REQUIRED



WV DEPT. OF TRANSPORTATION - DIVISION OF HIGHWAYS  
DISTRICT 8, P.O. BOX 1516  
ELKINS, WV 26241

RFQ NO. 08120271  
PAGE 00 OF 00  
SKETCH #5

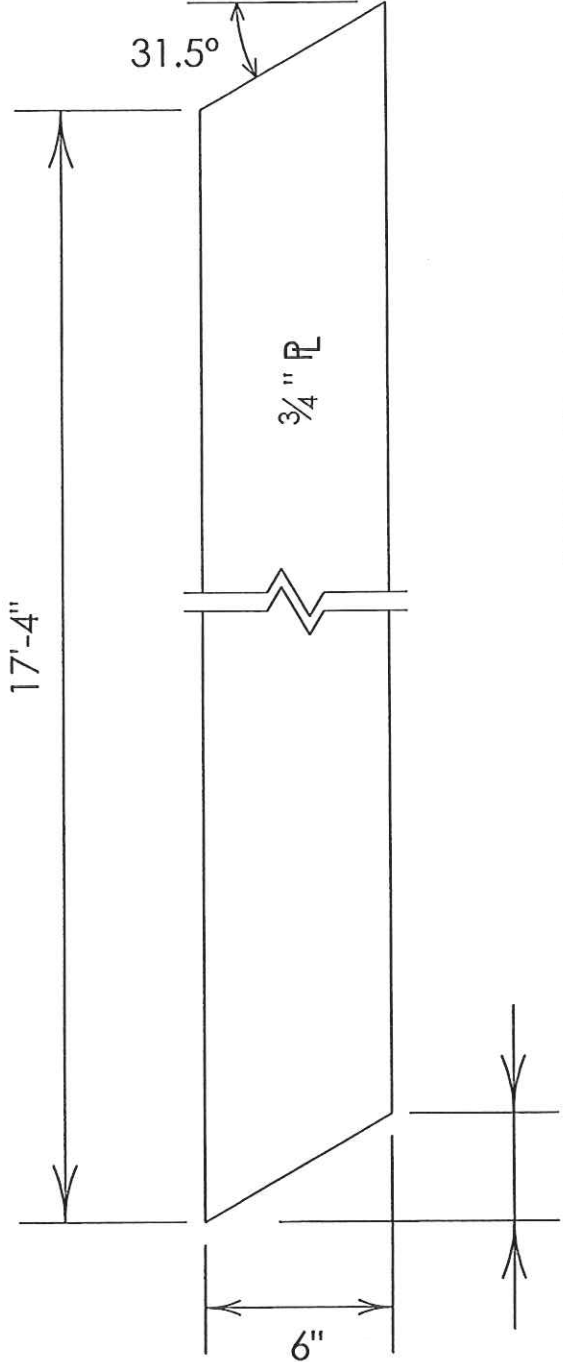
ALL HOLES  $1\frac{3}{16}$ " DIAMETER



GALVANIZED CLIP ANGLE  
ANGLE 4" x 4" x 1/2" - 10 REQUIRED

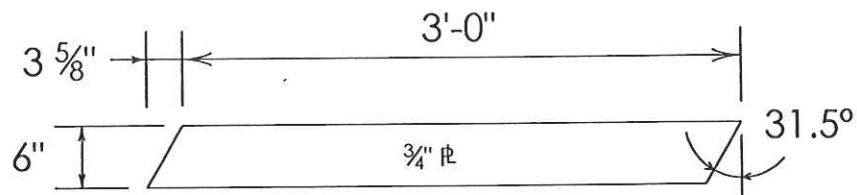
WV DEPT. OF TRANSPORTATION - DIVISION OF HIGHWAYS  
DISTRICT 8, P.O. BOX 1516  
ELKINS, WV 26241

RFQ NO. 08120271  
PAGE 00 OF 00  
SKETCH #6

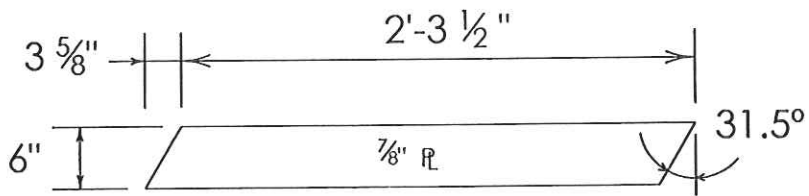


GALVANIZED 3/4" PLATE - MARK M1  
2 Required

WV DEPT. OF TRANSPORTATION - DIVISION OF HIGHWAYS  
DISTRICT 8, P.O. BOX 1516  
ELKINS, WV 26241



GALVANIZED 3/4" PLATE - MARK P2  
(3 Required)



GALVANIZED 7/8" PLATE - MARK P1  
(3 Required)

RFQ NO. 08120271  
PAGE 00 OF 00  
SKETCH #7

State of West Virginia  
**VENDOR PREFERENCE CERTIFICATE**

Certification and application\* is hereby made for Preference in accordance with *West Virginia Code*, §5A-3-37. (Does not apply to construction contracts). *West Virginia Code*, §5A-3-37, provides an opportunity for qualifying vendors to request (at the time of bid) preference for their residency status. Such preference is an evaluation method only and will be applied only to the cost bid in accordance with the *West Virginia Code*. This certificate for application is to be used to request such preference. The Purchasing Division will make the determination of the Resident Vendor Preference, if applicable.

1. **Application is made for 2.5% resident vendor preference for the reason checked:**  
 Bidder is an individual resident vendor and has resided continuously in West Virginia for four (4) years immediately preceding the date of this certification; or,  
 Bidder is a partnership, association or corporation resident vendor and has maintained its headquarters or principal place of business continuously in West Virginia for four (4) years immediately preceding the date of this certification; or 80% of the ownership interest of Bidder is held by another individual, partnership, association or corporation resident vendor who has maintained its headquarters or principal place of business continuously in West Virginia for four (4) years immediately preceding the date of this certification; or,  
 Bidder is a nonresident vendor which has an affiliate or subsidiary which employs a minimum of one hundred state residents and which has maintained its headquarters or principal place of business within West Virginia continuously for the four (4) years immediately preceding the date of this certification; or,
2. **Application is made for 2.5% resident vendor preference for the reason checked:**  
 Bidder is a resident vendor who certifies that, during the life of the contract, on average at least 75% of the employees working on the project being bid are residents of West Virginia who have resided in the state continuously for the two years immediately preceding submission of this bid; or,
3. **Application is made for 2.5% resident vendor preference for the reason checked:**  
 Bidder is a nonresident vendor employing a minimum of one hundred state residents or is a nonresident vendor with an affiliate or subsidiary which maintains its headquarters or principal place of business within West Virginia employing a minimum of one hundred state residents who certifies that, during the life of the contract, on average at least 75% of the employees or Bidder's affiliate's or subsidiary's employees are residents of West Virginia who have resided in the state continuously for the two years immediately preceding submission of this bid; or,
4. **Application is made for 5% resident vendor preference for the reason checked:**  
 Bidder meets either the requirement of both subdivisions (1) and (2) or subdivision (1) and (3) as stated above; or,
5. **Application is made for 3.5% resident vendor preference who is a veteran for the reason checked:**  
 Bidder is an individual resident vendor who is a veteran of the United States armed forces, the reserves or the National Guard and has resided in West Virginia continuously for the four years immediately preceding the date on which the bid is submitted; or,
6. **Application is made for 3.5% resident vendor preference who is a veteran for the reason checked:**  
 Bidder is a resident vendor who is a veteran of the United States armed forces, the reserves or the National Guard, if, for purposes of producing or distributing the commodities or completing the project which is the subject of the vendor's bid and continuously over the entire term of the project, on average at least seventy-five percent of the vendor's employees are residents of West Virginia who have resided in the state continuously for the two immediately preceding years.

Bidder understands if the Secretary of Revenue determines that a Bidder receiving preference has failed to continue to meet the requirements for such preference, the Secretary may order the Director of Purchasing to: (a) reject the bid; or (b) assess a penalty against such Bidder in an amount not to exceed 5% of the bid amount and that such penalty will be paid to the contracting agency or deducted from any unpaid balance on the contract or purchase order.

By submission of this certificate, Bidder agrees to disclose any reasonably requested information to the Purchasing Division and authorizes the Department of Revenue to disclose to the Director of Purchasing appropriate information verifying that Bidder has paid the required business taxes, provided that such information does not contain the amounts of taxes paid nor any other information deemed by the Tax Commissioner to be confidential.

Under penalty of law for false swearing (*West Virginia Code*, §61-5-3), Bidder hereby certifies that this certificate is true and accurate in all respects; and that if a contract is issued to Bidder and if anything contained within this certificate changes during the term of the contract, Bidder will notify the Purchasing Division in writing immediately.

Bidder: JAMATT, INC.

Signed: 

Date: 04/10/2012

Title: PRESIDENT

\*Check any combination of preference consideration(s) indicated above, which you are entitled to receive.

STATE OF WEST VIRGINIA  
Purchasing Division

**PURCHASING AFFIDAVIT**

West Virginia Code §5A-3-10a states: No contract or renewal of any contract may be awarded by the state or any of its political subdivisions to any vendor or prospective vendor when the vendor or prospective vendor or a related party to the vendor or prospective vendor is a debtor and the debt owed is an amount greater than one thousand dollars in the aggregate.

**DEFINITIONS:**

"Debt" means any assessment, premium, penalty, fine, tax or other amount of money owed to the state or any of its political subdivisions because of a judgment, fine, permit violation, license assessment, defaulted workers' compensation premium, penalty or other assessment presently delinquent or due and required to be paid to the state or any of its political subdivisions, including any interest or additional penalties accrued thereon.

"Debtor" means any individual, corporation, partnership, association, limited liability company or any other form or business association owing a debt to the state or any of its political subdivisions. "Political subdivision" means any county commission; municipality; county board of education; any instrumentality established by a county or municipality; any separate corporation or instrumentality established by one or more counties or municipalities, as permitted by law; or any public body charged by law with the performance of a government function or whose jurisdiction is coextensive with one or more counties or municipalities. "Related party" means a party, whether an individual, corporation, partnership, association, limited liability company or any other form or business association or other entity whatsoever, related to any vendor by blood, marriage, ownership or contract through which the party has a relationship of ownership or other interest with the vendor so that the party will actually or by effect receive or control a portion of the benefit, profit or other consideration from performance of a vendor contract with the party receiving an amount that meets or exceed five percent of the total contract amount.

**EXCEPTION:** The prohibition of this section does not apply where a vendor has contested any tax administered pursuant to chapter eleven of this code, workers' compensation premium, permit fee or environmental fee or assessment and the matter has not become final or where the vendor has entered into a payment plan or agreement and the vendor is not in default of any of the provisions of such plan or agreement.

Under penalty of law for false swearing (*West Virginia Code §61-5-3*), it is hereby certified that the vendor affirms and acknowledges the information in this affidavit and is in compliance with the requirements as stated.

**WITNESS THE FOLLOWING SIGNATURE**

Vendor's Name: JAMATT, INC.

Authorized Signature: *James E. Chaffin* Date: 04/10/2012

State of WEST VIRGINIA

County of TAYLOR, to-wit:

Taken, subscribed, and sworn to before me this 10<sup>th</sup> day of April, 2012.

My Commission expires January 31, 2012.

**AFFIX SEAL HERE**

**NOTARY PUBLIC.** *Letitia Alonso*

