



State of West Virginia  
 Department of Administration  
 Purchasing Division  
 2019 Washington Street East  
 Post Office Box 50130  
 Charleston, WV 25305-0130

# Request for Quotation

RFQ NUMBER  
**7010EC010**

PAGE  
**1**

ADDRESS CORRESPONDENCE TO ATTENTION OF:  
**MICHAEL AUSTIN**  
**304-558-2402**

RFQ COPY  
 TYPE NAME/ADDRESS HERE

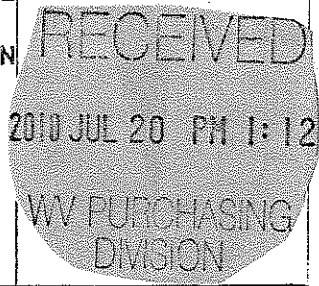
**ROPE INC.**  
**PO Box 99**  
**FALLING ROCK, WV 25079**

SHIP TO

**DIVISION OF HIGHWAYS**  
**EQUIPMENT DIVISION**  
**ROUTE 33**  
**BRUSHY FORK ROAD**  
**BUCKHANNON, WV**  
**26201**      **304-472-1750**

DATE PRINTED <b>05/18/2010</b>	TERMS OF SALE	SHIP VIA	F.O.B. <b>FACTORY</b>	FREIGHT TERMS <b>PRE-PAY/DELIVER</b>
BID OPENING DATE: <b>06/30/2010</b>		BID OPENING TIME <b>01:30PM</b>		

LINE	QUANTITY	UOP	CAT NO.	ITEM NUMBER	UNIT PRICE	AMOUNT
0001	1	EA		765-59		
<p>PROVIDE POWER REVERSIBLE SNOWPLOW</p> <p>OPEN END CONTRACT</p> <p>TO PROVIDE 10 FOOT AND 11 FOOT HENDERSON OR EQUAL POWER REVERSIBLE SNOWPLOW. PER THE ATTACHED.</p> <p>THE MODEL/BRAND/SPECIFICATIONS NAMED HEREIN ESTABLISH THE ACCEPTABLE LEVEL OF QUALITY ONLY AND ARE NOT INTENDED TO REFLECT A PREFERENCE OR FAVOR ANY PARTICULAR BRAND OR VENDOR. VENDORS WHO ARE BIDDING ALTERNATES SHOULD SO STATE AND INCLUDE PERTINENT LITERATURE AND SPECIFICATIONS. FAILURE TO PROVIDE INFORMATION FOR ANY ALTERNATES MAY BE GROUNDS FOR REJECTION OF THE BID. THE STATE RESERVES THE RIGHT TO WAIVE MINOR IRREGULARITIES IN BIDS OR SPECIFICATIONS IN ACCORDANCE WITH SECTION 148-1-4(F) OF THE WEST VIRGINIA LEGISLATIVE RULES AND REGULATIONS.</p> <p>MANDATORY PRE-BID</p> <p>A MANDATORY PRE-BID WILL BE HELD ON THURSDAY, 06/10/10 AT 10 AM IN BUILDING 15, CAPITAL COMPLEX, CHAS, WV. ALL INTERESTED PARTIES ARE REQUIRED TO ATTEND THIS MEETING FAILURE TO ATTEND THE MANDATORY PRE-BID SHALL RESULT IN DISQUALIFICATION OF THE BID. NO ONE PERSON MAY REPRESENT MORE THAN ONE BIDDER.</p> <p>AN ATTENDANCE SHEET WILL BE MADE AVAILABLE FOR ALL POTENTIAL BIDDERS TO COMPLETE. THIS WILL SERVE AS THE</p>						



SEE REVERSE SIDE FOR TERMS AND CONDITIONS

SIGNATURE: *[Signature]* TELEPHONE: **304-548-6701** DATE: **7/20/10**

TITLE: **Gen. Mgr.** FEIN: **55-0704007** ADDRESS CHANGES TO BE NOTED ABOVE

WHEN RESPONDING TO RFQ, INSERT NAME AND ADDRESS IN SPACE ABOVE LABELED 'VENDOR'

## GENERAL TERMS & CONDITIONS REQUEST FOR QUOTATION (RFQ) AND REQUEST FOR PROPOSAL (RFP)

1. Awards will be made in the best interest of the State of West Virginia.
  2. The State may accept or reject in part, or in whole, any bid.
  3. Prior to any award, the apparent successful vendor must be properly registered with the Purchasing Division and have paid the required \$125 fee.
  4. All services performed or goods delivered under State Purchase Order/Contracts are to be continued for the term of the Purchase Order/Contracts, contingent upon funds being appropriated by the Legislature or otherwise being made available. In the event funds are not appropriated or otherwise available for these services or goods this Purchase Order/Contract becomes void and of no effect after June 30.
  5. Payment may only be made after the delivery and acceptance of goods or services.
  6. Interest may be paid for late payment in accordance with the *West Virginia Code*.
  7. Vendor preference will be granted upon written request in accordance with the *West Virginia Code*.
  8. The State of West Virginia is exempt from federal and state taxes and will not pay or reimburse such taxes.
  9. The Director of Purchasing may cancel any Purchase Order/Contract upon 30 days written notice to the seller.
  10. The laws of the State of West Virginia and the *Legislative Rules* of the Purchasing Division shall govern the purchasing process.
  11. Any reference to automatic renewal is hereby deleted. The Contract may be renewed only upon mutual written agreement of the parties.
  12. **BANKRUPTCY:** In the event the vendor/contractor files for bankruptcy protection, the State may deem this contract null and void, and terminate such contract without further order.
  13. **HIPAA BUSINESS ASSOCIATE ADDENDUM:** The West Virginia State Government HIPAA Business Associate Addendum (BAA), approved by the Attorney General, is available online at [www.state.wv.us/admin/purchase/vrc/hipaa.htm](http://www.state.wv.us/admin/purchase/vrc/hipaa.htm) and is hereby made part of the agreement. Provided that the Agency meets the definition of a Cover Entity (45 CFR §160.103) and will be disclosing Protected Health Information (45 CFR §160.103) to the vendor.
  14. **CONFIDENTIALITY:** The vendor agrees that he or she will not disclose to anyone, directly or indirectly, any such personally identifiable information or other confidential information gained from the agency, unless the individual who is the subject of the information consents to the disclosure in writing or the disclosure is made pursuant to the agency's policies, procedures, and rules. Vendor further agrees to comply with the Confidentiality Policies and Information Security Accountability Requirements, set forth in <http://www.state.wv.us/admin/purchase/privacy/noticeConfidentiality.pdf>.
  15. **LICENSING:** Vendors must be licensed and in good standing in accordance with any and all state and local laws and requirements by any state or local agency of West Virginia, including, but not limited to, the West Virginia Secretary of State's Office, the West Virginia Tax Department, and the West Virginia Insurance Commission. The vendor must provide all necessary releases to obtain information to enable the director or spending unit to verify that the vendor is licensed and in good standing with the above entities.
  16. **ANTITRUST:** In submitting a bid to any agency for the State of West Virginia, the bidder offers and agrees that if the bid is accepted the bidder will convey, sell, assign or transfer to the State of West Virginia all rights, title and interest in and to all causes of action it may now or hereafter acquire under the antitrust laws of the United States and the State of West Virginia for price fixing and/or unreasonable restraints of trade relating to the particular commodities or services purchased or acquired by the State of West Virginia. Such assignment shall be made and become effective at the time the purchasing agency tenders the initial payment to the bidder.
- I certify that this bid is made without prior understanding, agreement, or connection with any corporation, firm, limited liability company, partnership, or person or entity submitting a bid for the same material, supplies, equipment or services and is in all respects fair and without collusion or fraud. I further certify that I am authorized to sign the certification on behalf of the bidder or this bid.

### INSTRUCTIONS TO BIDDERS

1. Use the quotation forms provided by the Purchasing Division. Complete all sections of the quotation form.
2. Items offered must be in compliance with the specifications. Any deviation from the specifications must be clearly indicated by the bidder. Alternates offered by the bidder as **EQUAL** to the specifications must be clearly defined. A bidder offering an alternate should attach complete specifications and literature to the bid. The Purchasing Division may waive minor deviations to specifications.
3. Unit prices shall prevail in case of discrepancy. All quotations are considered F.O.B. destination unless alternate shipping terms are clearly identified in the quotation.
4. All quotations must be delivered by the bidder to the office listed below prior to the date and time of the bid opening. Failure of the bidder to deliver the quotations on time will result in bid disqualifications: Department of Administration, Purchasing Division, 2019 Washington Street East, P.O. Box 50130, Charleston, WV 25305-0130
5. Communication during the solicitation, bid, evaluation or award periods, except through the Purchasing Division, is strictly prohibited (W.Va. C.S.R. §148-1-6.6).



State of West Virginia  
 Department of Administration  
 Purchasing Division  
 2019 Washington Street East  
 Post Office Box 50130  
 Charleston, WV 25305-0130

# Request for Quotation

RFQ NUMBER  
**7010EC010**

PAGE  
**2**

ADDRESS CORRESPONDENCE TO ATTENTION OF:  
**MICHAEL AUSTIN**  
**304-558-2402**

RFQ COPY  
 TYPE NAME/ADDRESS HERE

VENDOR

SHIP TO

DIVISION OF HIGHWAYS  
 EQUIPMENT DIVISION  
 ROUTE 33  
 BRUSHY FORK ROAD  
 BUCKHANNON, WV  
 26201 304-472-1750

DATE PRINTED	TERMS OF SALE	SHIP VIA	F.O.B.	FREIGHT TERMS
05/18/2010				
BID OPENING DATE: 06/30/2010		BID OPENING TIME 01:30PM		

LINE	QUANTITY	UOP	CAT. NO.	ITEM NUMBER	UNIT PRICE	AMOUNT
<p>OFFICIAL DOCUMENT VERIFYING ATTENDANCE AT THE MANDATORY PRE-BID. FAILURE TO PROVIDE YOUR COMPANY AND REPRESENTATIVE NAME ON THE ATTENDANCE SHEET WILL RESULT IN DISQUALIFICATION OF THE BID. THE STATE WILL NOT ACCEPT ANY OTHER DOCUMENTATION TO VERIFY ATTENDANCE. THE BIDDER IS RESPONSIBLE FOR ENSURING THEY HAVE COMPLETED THE INFORMATION REQUIRED ON THE ATTENDANCE SHEET. THE PURCHASING DIVISION AND THE STATE AGENCY WILL NOT ASSUME ANY RESPONSIBILITY FOR A BIDDER'S FAILURE TO COMPLETE THE PRE-BID ATTENDANCE SHEET. IN ADDITION, WE REQUEST THAT ALL POTENTIAL BIDDERS INCLUDE THEIR E-MAIL ADDRESS AND FAX NUMBER.</p> <p>ALL POTENTIAL BIDDERS ARE REQUESTED TO ARRIVE PRIOR TO THE STARTING TIME FOR THE PRE-BID. BIDDERS WHO ARRIVE LATE, BUT PRIOR TO THE DISMISSAL OF THE TECHNICAL PORTION OF THE PRE-BID WILL BE PERMITTED TO SIGN IN. BIDDERS WHO ARRIVE AFTER CONCLUSION OF THE TECHNICAL PORTION OF THE PRE-BID, BUT DURING ANY SUBSEQUENT PART OF THE PRE-BID WILL NOT BE PERMITTED TO SIGN THE ATTENDANCE SHEET.</p> <p>QUESTIONS: WRITTEN QUESTIONS WILL BE ACCEPTED THROUGH CLOSE OF BUSINESS (5:00 PM EST) ON TUESDAY, 06/01/2010.</p> <p>SEND YOUR QUESTIONS TO: PURCHASING DIVISION          ATTENTION MICHAEL AUSTIN          2019 WASHINGTON ST., E.,          CHARLESTON, WV 25305</p> <p>QUESTIONS MAY BE SENT VIA FAX, E-MAIL, OR REGULAR MAIL.          E-MAIL: MICHAEL.D.AUSTIN@WV.GOV          FAX: 304-558-4115</p> <p>IT IS THE VENDORS RESPONSIBILITY TO VERIFY THAT THEIR QUESTIONS HAVE BEEN RECEIVED BY CALLING 304-558-2402.</p>						

SEE REVERSE SIDE FOR TERMS AND CONDITIONS

SIGNATURE	TELEPHONE	DATE
TITLE	FEIN	ADDRESS CHANGES TO BE NOTED ABOVE

WHEN RESPONDING TO RFQ, INSERT NAME AND ADDRESS IN SPACE ABOVE LABELED 'VENDOR'



State of West Virginia  
 Department of Administration  
 Purchasing Division  
 2019 Washington Street East  
 Post Office Box 50130  
 Charleston, WV 25305-0130

# Request for Quotation

RFQ NUMBER
7010EC010

PAGE
3

ADDRESS CORRESPONDENCE TO ATTENTION OF
MICHAEL AUSTIN 304-558-2402

RFQ COPY  
 TYPE NAME/ADDRESS HERE

VENDOR

SHIP TO

DIVISION OF HIGHWAYS  
 EQUIPMENT DIVISION  
 ROUTE 33  
 BRUSHY FORK ROAD  
 BUCKHANNON, WV  
 26201 304-472-1750

DATE PRINTED	TERMS OF SALE	SHIP VIA	F.O.B.	FREIGHT TERMS
05/18/2010				

BID OPENING DATE: 06/30/2010 BID OPENING TIME 01:30PM

LINE	QUANTITY	UOP	CAT NO	ITEM NUMBER	UNIT PRICE	AMOUNT
<p>EXHIBIT 2</p> <p>LIFE OF CONTRACT: THIS CONTRACT BECOMES EFFECTIVE ON ..... AND EXTENDS FOR A PERIOD OF ONE (1) YEAR OR UNTIL SUCH "REASONABLE TIME" THEREAFTER AS IS NECESSARY TO OBTAIN A NEW CONTRACT OR RENEW THE ORIGINAL CONTRACT. THE "REASONABLE TIME" PERIOD SHALL NOT EXCEED TWELVE (12) MONTHS. DURING THIS "REASONABLE TIME" THE VENDOR MAY TERMINATE THIS CONTRACT FOR ANY REASON UPON GIVING THE DIRECTOR OF PURCHASING THIRTY (30) DAYS WRITTEN NOTICE.</p> <p>UNLESS SPECIFIC PROVISIONS ARE STIPULATED IN THIS CONTRACT DOCUMENT, THE TERMS, CONDITIONS, AND PRICING SET HEREIN ARE FIRM FOR THE LIFE OF THE CONTRACT.</p> <p>RENEWAL: THIS CONTRACT MAY BE RENEWED UPON THE MUTUAL WRITTEN CONSENT OF THE SPENDING UNIT AND VENDOR, SUBMITTED TO THE DIRECTOR OF PURCHASING THIRTY (30) DAYS PRIOR TO THE EXPIRATION DATE. SUCH RENEWAL SHALL BE IN ACCORDANCE WITH THE TERMS AND CONDITIONS OF THE ORIGINAL CONTRACT AND SHALL BE LIMITED TO TWO (2) ONE (1) YEAR PERIODS.</p> <p>CANCELLATION: THE DIRECTOR OF PURCHASING RESERVES THE RIGHT TO CANCEL THIS CONTRACT IMMEDIATELY UPON WRITTEN NOTICE TO THE VENDOR IF THE COMMODITIES AND/OR SERVICES SUPPLIED ARE OF AN INFERIOR QUALITY OR DO NOT CONFORM WITH THE SPECIFICATIONS OF THE BID AND CONTRACT HEREIN</p> <p>OPEN MARKET CLAUSE: THE DIRECTOR OF PURCHASING MAY AUTHORIZE A SPENDING UNIT TO PURCHASE ON THE OPEN MARKET, WITHOUT THE FILING OF A REQUISITION OR COST ESTIMATE, ITEMS SPECIFIED ON THIS CONTRACT FOR IMMEDIATE DELIVERY IN EMERGENCIES DUE TO UNFORESEEN CAUSES</p>						

SEE REVERSE SIDE FOR TERMS AND CONDITIONS

SIGNATURE	TELEPHONE	DATE
TITLE	FEIN	ADDRESS CHANGES TO BE NOTED ABOVE

WHEN RESPONDING TO RFQ, INSERT NAME AND ADDRESS IN SPACE ABOVE LABELED 'VENDOR'



State of West Virginia  
 Department of Administration  
 Purchasing Division  
 2019 Washington Street East  
 Post Office Box 50130  
 Charleston, WV 25305-0130

# Request for Quotation

RFQ NUMBER  
 7010EC010

PAGE  
 4

ADDRESS CORRESPONDENCE TO ATTENTION OF  
 MICHAEL AUSTIN  
 304-558-2402

RFQ COPY  
 TYPE NAME/ADDRESS HERE

VENDOR

SHIP TO

DIVISION OF HIGHWAYS  
 EQUIPMENT DIVISION  
 ROUTE 33  
 BRUSHY FORK ROAD  
 BUCKHANNON, WV  
 26201 304-472-1750

DATE PRINTED 05/18/2010	TERMS OF SALE	SHIP VIA	F.O.B.	FREIGHT TERMS
BID OPENING DATE: 06/30/2010		BID OPENING TIME 01:30PM		

LINE	QUANTITY	UOP	CAT NO.	ITEM NUMBER	UNIT PRICE	AMOUNT
<p>(INCLUDING BUT NOT LIMITED TO DELAYS IN TRANSPORTATION OR AN UNANTICIPATED INCREASE IN THE VOLUME OF WORK).</p> <p>QUANTITIES: QUANTITIES LISTED IN THE REQUISITION ARE APPROXIMATIONS ONLY, BASED ON ESTIMATES SUPPLIES BY THE STATE SPENDING UNIT. IT IS UNDERSTOOD AND AGREED THAT THE CONTRACT SHALL COVER THE QUANTITIES ACTUALLY ORDERED FOR DELIVERY DURING THE TERM OF CONTRACT, WHETHER MORE OR LESS THAN THE QUANTITIES SHOWN.</p> <p>ORDERING PROCEDURE: SPENDING UNIT(S) SHALL ISSUE A WRITTEN EQUIPMENT CONTRACT ORDER (FORM NUMBER WV-35) FOR COMMODITIES COVERED BY THIS CONTRACT. THE ORIGINAL WV-35 MUST BE SENT TO THE PURCHASING DIVISION OF THE DEPARTMENT OF ADMINISTRATION. AFTER APPROVAL AND ENCUMBRANCE, ONE COPY OF THE PURCHASE ORDER WILL BE RETURNED TO THE SPENDING UNIT AND ONE COPY FORWARDED TO THE VENDOR AS AUTHORIZATION FOR SHIPMENT. NO ORDER IS VALID UNLESS APPROVED AND ENCUMBERED BY THE PURCHASING DIVISION.</p> <p>BANKRUPTCY: IN THE EVENT THE VENDOR/CONTRACTOR FILES FOR BANKRUPTCY PROTECTION, THE STATE MAY DEEM THE CONTRACT NULL AND VOID, AND TERMINATE SUCH CONTRACT WITHOUT FUTHER ORDER.</p> <p>REV. 5/2009</p> <p>EXHIBIT 10</p> <p>REQUISITION NO.: .....</p> <p>ADDENDUM ACKNOWLEDGEMENT</p> <p>I HEREBY ACKNOWLEDGE RECEIPT OF THE FOLLOWING CHECKED</p>						

SEE REVERSE SIDE FOR TERMS AND CONDITIONS

SIGNATURE	TELEPHONE	DATE
TITLE	FEIN	ADDRESS CHANGES TO BE NOTED ABOVE

WHEN RESPONDING TO RFQ, INSERT NAME AND ADDRESS IN SPACE ABOVE LABELED 'VENDOR'



State of West Virginia  
 Department of Administration  
 Purchasing Division  
 2019 Washington Street East  
 Post Office Box 50130  
 Charleston, WV 25305-0130

# Request for Quotation

RFO NUMBER  
**7010EC010**

PAGE  
**5**

ADDRESS CORRESPONDENCE TO ATTENTION OF  
**MICHAEL AUSTIN**  
**304-558-2402**

VENDOR

RFQ COPY  
 TYPE NAME/ADDRESS HERE

SHIP TO

DIVISION OF HIGHWAYS  
 EQUIPMENT DIVISION  
 ROUTE 33  
 BRUSHY FORK ROAD  
 BUCKHANNON, WV  
 26201 304-472-1750

DATE PRINTED <b>05/18/2010</b>	TERMS OF SALE	SHIP VIA	F.O.B.	FREIGHT TERMS
-----------------------------------	---------------	----------	--------	---------------

BID OPENING DATE: **06/30/2010** BID OPENING TIME **01:30PM**

LINE	QUANTITY	UOP	CAT. NO.	ITEM NUMBER	UNIT PRICE	AMOUNT
<p>ADDENDUM(S) AND HAVE MADE THE NECESSARY REVISIONS TO MY PROPOSAL, PLANS AND/OR SPECIFICATION, ETC.</p> <p>ADDENDUM NO.'S:</p> <p>NO. 1 ... <input checked="" type="checkbox"/> ...</p> <p>NO. 2 ... <input checked="" type="checkbox"/> ...</p> <p>NO. 3 .....</p> <p>NO. 4 .....</p> <p>NO. 5 .....</p> <p>I UNDERSTAND THAT FAILURE TO CONFIRM THE RECEIPT OF THE ADDENDUM(S) MAY BE CAUSE FOR REJECTION OF BIDS.</p> <p>VENDOR MUST CLEARLY UNDERSTAND THAT ANY VERBAL REPRESENTATION MADE OR ASSUMED TO BE MADE DURING ANY ORAL DISCUSSION HELD BETWEEN VENDOR'S REPRESENTATIVES AND ANY STATE PERSONNEL IS NOT BINDING. ONLY THE INFORMATION ISSUED IN WRITING AND ADDED TO THE SPECIFICATIONS BY AN OFFICIAL ADDENDUM IS BINDING.</p> <p style="text-align: right;">             .....            SIGNATURE            .....            Rose, Inc.            .....            COMPANY            .....            7/12/10            .....            DATE         </p>						

SEE REVERSE SIDE FOR TERMS AND CONDITIONS

SIGNATURE	TELEPHONE	DATE
TITLE	FEIN	ADDRESS CHANGES TO BE NOTED ABOVE

WHEN RESPONDING TO RFQ, INSERT NAME AND ADDRESS IN SPACE ABOVE LABELED 'VENDOR'



State of West Virginia  
 Department of Administration  
 Purchasing Division  
 2019 Washington Street East  
 Post Office Box 50130  
 Charleston, WV 25305-0130

# Request for Quotation

RFQ NUMBER  
**7010EC010**

PAGE  
**6**

ADDRESS CORRESPONDENCE TO ATTENTION OF  
**MICHAEL AUSTIN**  
**304-558-2402**

RFQ COPY  
 TYPE NAME/ADDRESS HERE

SHIP TO

SHIP TO

DIVISION OF HIGHWAYS  
 EQUIPMENT DIVISION  
 ROUTE 33  
 BRUSHY FORK ROAD  
 BUCKHANNON, WV  
 26201  
 304-472-1750

DATE PRINTED	TERMS OF SALE	SHIP VIA	F.O.B.	FREIGHT TERMS
05/18/2010				
BID OPENING DATE: 06/30/2010		BID OPENING TIME 01:30PM		

LINE	QUANTITY	UOP	CAT. NO.	ITEM NUMBER	UNIT PRICE	AMOUNT
<p>NOTE: THIS ADDENDUM ACKNOWLEDGEMENT SHOULD BE SUBMITTED WITH THE BID.</p> <p>REV. 09/21/2009</p> <p>EXHIBIT 4</p> <p>LOCAL GOVERNMENT BODIES: UNLESS THE VENDOR INDICATES IN THE BID HIS REFUSAL TO EXTEND THE PRICES, TERMS, AND CONDITIONS OF THE BID TO COUNTY, SCHOOL, MUNICIPAL AND OTHER LOCAL GOVERNMENT BODIES, THE BID SHALL EXTEND TO POLITICAL SUBDIVISIONS OF THE STATE OF WEST VIRGINIA. IF THE VENDOR DOES NOT WISH TO EXTEND THE PRICES, TERMS, AND CONDITIONS OF THE BID TO ALL POLITICAL SUBDIVISIONS OF THE STATE, THE VENDOR MUST CLEARLY INDICATE SUCH REFUSAL IN HIS BID. SUCH REFUSAL SHALL NOT PREJUDICE THE AWARD OF THIS CONTRACT IN ANY MANNER.</p> <p>REV. 3/88</p> <p style="text-align: center;">NOTICE</p> <p>A SIGNED BID MUST BE SUBMITTED TO:</p> <p style="text-align: center;">DEPARTMENT OF ADMINISTRATION        PURCHASING DIVISION        BUILDING 15        2019 WASHINGTON STREET, EAST        CHARLESTON, WV 25305-0130</p> <p>THE BID SHOULD CONTAIN THIS INFORMATION ON THE FACE OF THE ENVELOPE OR THE BID MAY NOT BE CONSIDERED:</p>						

SEE REVERSE SIDE FOR TERMS AND CONDITIONS

SIGNATURE	TELEPHONE	DATE
TITLE	FEIN	ADDRESS CHANGES TO BE NOTED ABOVE

WHEN RESPONDING TO RFQ, INSERT NAME AND ADDRESS IN SPACE ABOVE LABELED 'VENDOR'



State of West Virginia  
 Department of Administration  
 Purchasing Division  
 2019 Washington Street East  
 Post Office Box 50130  
 Charleston, WV 25305-0130

# Request for Quotation

RFQ NUMBER  
**7010EC010**

PAGE  
**7**

ADDRESS CORRESPONDENCE TO ATTENTION OF  
**MICHAEL AUSTIN**  
**304-558-2402**

RFQ COPY  
 TYPE NAME/ADDRESS HERE

VENDOR

SHIP TO

DIVISION OF HIGHWAYS  
 EQUIPMENT DIVISION  
 ROUTE 33  
 BRUSHY FORK ROAD  
 BUCKHANNON, WV  
 26201 304-472-1750

DATE PRINTED	TERMS OF SALE	SHIP VIA	F.O.B.	FREIGHT TERMS
05/18/2010				

BID OPENING DATE: **06/30/2010** BID OPENING TIME **01:30PM**

LINE	QUANTITY	UOP	CAT NO	ITEM NUMBER	UNIT PRICE	AMOUNT
	SEALED BID					
	BUYER:			33		
	RFQ. NO.:			7010EC010		
	BID OPENING DATE:			06/30/2010		
	BID OPENING TIME:			1:30 PM		
	PLEASE PROVIDE A FAX NUMBER IN CASE IT IS NECESSARY TO CONTACT YOU REGARDING YOUR BID:					
				304-548-7186		
	CONTACT PERSON (PLEASE PRINT CLEARLY):					
				WALLACE ROLLINS		
	***** THIS IS THE END OF RFQ 7010EC010 ***** TOTAL:					

SEE REVERSE SIDE FOR TERMS AND CONDITIONS

SIGNATURE	TELEPHONE	DATE
TITLE	FEIN	ADDRESS CHANGES TO BE NOTED ABOVE

WHEN RESPONDING TO RFQ, INSERT NAME AND ADDRESS IN SPACE ABOVE LABELED 'VENDOR'



WEST VIRGINIA DEPARTMENT OF TRANSPORTATION  
DIVISION OF HIGHWAYS  
EQUIPMENT DIVISION

BIDDER'S EVALUATION REPORT

PROCUREMENT SPECIFICATIONS  
NO. 021-2-D

OPEN END CONTRACT  
10 FOOT OR 11 FOOT POWER REVERSIBLE SNOWPLOW (HYDRAULIC)

NOTE TO BIDDER: Procurement Specification No. 021-2-D, Paragraph 2.0 recommends the completion and submittal of this Report with your bid. Purpose of this Report is to enable the West Virginia Division of Highways Evaluation Committee to make full and fair evaluation of the bid. Addendums in order, along with a summary of exception as a separate attachment, should be with Bidder's Evaluation Report.

FAILURE TO SUBMIT THIS REPORT, COMPLETE IN ITS ENTIRETY, MAY SUBJECT THE BIDDER TO DISQUALIFICATION.

Reference Requisition No.: 7010EC010

Bidder's Name: ROPE, INC.

Address: PO Box 99 / 5522 Elk River Rd / Falling Rock WV  
25079

Telephone Number: 304-548-6701

Years Bidder has been registered to do business with the State of West Virginia: 10+ YRS.

Years Company has been an authorized dealer for proposed unit: 1+ YRS.

X3.2 Have you complied with all mandatory specifications?  YES  NO

X4.2 DELIVERY:

X4.2.1 Delivery date of completed representative unit: 45 Calendar Days After  
Receipt of Purchase Agreement

X4.2.2 Delivery date of balance of completed units: 120 Calendar Days After Receipt of  
Purchase Agreement

X5.0 AWARD CRITERIA;

X5.1 Price per unit:

See Below per unit

10' PLOW

- 1-UNIT - \$8,527.00
- 2-UNITS - \$8,364.00
- 3-UNITS - \$8,418.00
- 4-UNITS ADD UP \$8,146.00

11' PLOW

- 1-UNIT - \$8,636.00
- 2-UNITS - \$8,473.00
- 3-UNITS - \$8,418.00
- 4-UNITS ADD UP - \$8,255.00

10' AND 11' PLOW CAN BE COMBINED FOR QUANTITY BREAKS,

FREIGHT TO BUCKHANNON OR ANY DOH FACILITY IS INCLUDED IN PRICING.

F.O.B. FACTORY

X6.0 SPECIFICATIONS - GENERAL

X6.1 Manufacturer, model, series, and date of manufacture of proposed unit: BONNELL INDUSTRIES

10 FT-MODEL 10ST36MC7WV / 11 FT-MODEL 11ST36MC7WV  
Is descriptive literature, fully describing proposed unit attached to your bid?  YES  NO

If not, why? THIS UNIT IS MADE SPECIFICALLY TO STATE OF WV SPECIFICATIONS

ALL UNITS WILL BE 2010 OR 2011 DATE OF MFG.

X6.2 Will the required number of service manuals, and complete parts list be delivered to the Equipment Division at Buckhannon upon completion of delivery of total units?

YES  NO

Will the required Equipment Preventive Maintenance Form (Section X6.2 of Bidders Evaluation Report) be provided upon inspection of the pilot unit?

YES  NO

X6.2  
2-10-00

### EQUIPMENT PREVENTATIVE MAINTENANCE QUESTIONNAIRE

THIS FORM MUST BE COMPLETED IN ITS ENTIRETY BY SUCCESSFUL BIDDER OR MANUFACTURER'S TECHNICAL REPRESENTATIVE PRIOR TO DELIVERY OF PILOT MODEL TO THE WVDOH.

DESCRIPTION: \_\_\_\_\_ MAKE: \_\_\_\_\_

MODEL: \_\_\_\_\_ YEAR: \_\_\_\_\_ PURCHASE AMOUNT: \_\_\_\_\_

ENGINE: MAKE: \_\_\_\_\_ MODEL: \_\_\_\_\_ FUEL TYPE: \_\_\_\_\_

HORSEPOWER: \_\_\_\_\_ CYLINDER: \_\_\_\_\_ ENGINE SERIAL: \_\_\_\_\_

COOLING SYSTEM CAPACITY: \_\_\_\_\_

BELTS: DESCRIPTION: \_\_\_\_\_ PART NUMBERS: \_\_\_\_\_

\_\_\_\_\_  
\_\_\_\_\_

GVW: \_\_\_\_\_ AXLE CAPACITY: FRONT: \_\_\_\_\_ REAR: \_\_\_\_\_

TIRES: FRONT MAKE & SIZE: \_\_\_\_\_

REAR MAKE & SIZE: \_\_\_\_\_

DIMENSIONS OF UNIT: LENGTH: \_\_\_\_\_ WIDTH: \_\_\_\_\_ LENGTH: \_\_\_\_\_

VENDOR CONTACT PERSON: \_\_\_\_\_ PHONE: \_\_\_\_\_

#### PARTS:

BATTERY MAKE: \_\_\_\_\_ MODEL: \_\_\_\_\_ CCA: \_\_\_\_\_

TOP OR SIDE POST: \_\_\_\_\_ DIMENSIONS: LENGTH \_\_\_\_\_ WIDTH \_\_\_\_\_ HEIGHT \_\_\_\_\_

SPARK PLUGS OR FUEL INJECTORS MAKE: \_\_\_\_\_ PART # \_\_\_\_\_

FUEL PUMP OR INJECTION PUMP MAKE: \_\_\_\_\_ MODEL: \_\_\_\_\_

ALTERNATOR MAKE: \_\_\_\_\_ PART #: \_\_\_\_\_

STARTER MAKE: \_\_\_\_\_ PART #: \_\_\_\_\_

TURBO CHARGER MAKE: \_\_\_\_\_ PART #: \_\_\_\_\_

TRANS. MAKE: \_\_\_\_\_ MODEL: \_\_\_\_\_ AUTO/MANUAL: \_\_\_\_\_

HYDRAULIC PUMP MAKE: \_\_\_\_\_ MODEL: \_\_\_\_\_

FILTERS	MAKE	PART NO.	LUBRICANT	MANUFACTURER TYPE
OIL	_____	_____	ENGINE	_____
AIR INNER	_____	_____	TRANSMISSION	_____
AIR OUTER	_____	_____	POWER STEERING	_____
FUEL PRIMARY	_____	_____	HYDRAULIC	_____
FUEL SECONDARY	_____	_____	DIFFERENTIALS	_____
COOLANT	_____	_____	BRAKE FLUID	_____
HYDRAULIC	_____	_____	COOLANT	_____
OTHER	_____	_____	OTHER	_____

X6.3 TRAINING:

Will training seminar be conducted on Preventive Maintenance, Operator and Mechanic Training

YES  NO

Will you conduct training with each purchase order against this open end contract?

YES  NO

Will training be conducted within 2 working days from the delivery of the pilot unit on the individual purchase order?

YES  NO

If NO, explain time frame \_\_\_\_\_

Will an Operator's Manual be furnished directly to Training Academy prior to the delivery of the pilot?

YES  NO

X6.4 If you are the successful vendor, will you furnish all training aids, i.e., videos, projectors, required in conducting the training?

YES  NO

X6.4.1 Will all manuals, booklets, etc. explaining preventive maintenance, operator procedures, and service schedule be delivered with each unit?

YES  NO

If NO, explain \_\_\_\_\_

X6.5 WARRANTY AND SERVICE POLICY

Will the warranty and service you provide comply with all areas as stated in Section 6.5 of specifications

YES  NO

Is warranty literature attached?

YES  NO

MFG. STANDARD WARRANTY IS ONE YEAR.

Is a minimum two (2) year bumper to bumper basic parts and labor warranty excluding abuse and normal wear items included?

YES  NO

Describe:

AS PER SPECIFICATIONS LISTED IN 6.5, BONNELL INDUSTRIES WILL  
COMPLY WITH THE STATE OF WV 2-YEAR WARRANTY, EXCLUDING  
ABUSE AND NORMAL WEAR ITEMS,

**X6.5 WARRANTY AND SERVICE POLICY QUESTIONNAIRE**

**THIS FORM MUST BE COMPLETED IN ITS ENTIRETY AND SUBMITTED WITH YOUR BID.**

(If additional lines are needed, make copies of form.)

1. Define the terms of the standard warranty. If not offered, so state. (Attach copy)

24 MONTH PARTS AND LABOR WARRANTY AGAINST MATERIAL DEFECTS  
AND WORKMANSHIP - EXCLUDING ABUSE AND NORMAL WEAR ITEMS.

2. Define warranty service to be performed at DOH facilities and warranty service to be performed at manufacturer's representative facility. List name and location of manufacturer's representative. ANY WARRANTY SERVICE MUST BE REPORTED VIA EMAIL OR FAX TO ROPE, INC. WHEN DISCOVERED. AN INSPECTION VISIT WILL BE SCHEDULED AT THE WVD OH FACILITY. MINOR WARRANTY ISSUES WILL BE PERFORMED ON SITE. ANY WARRANTY REQUIRING WELDING OR FABRICATION MAY REQUIRE UNIT TO BE DELIVERED TO AN APPROVED FABRICATION FACILITY LOCATED IN THE COUNTY OR NEARBY. IN AN EXTREME CASE, UNIT MAY HAVE TO BE DELIVERED TO ROPE, INC. IN ELKVIEW, WV.

3. List locations for parts inventories that are within the State of West Virginia. Also, list availability levels, if known.

ROPE, INC. 5522 ELK RIVER ROAD, ELKVIEW, WV 25071  
SPRINGS, CYLINDERS AND OTHER NORMAL WEAR ITEMS WILL BE STOCKED AT THIS FACILITY

4. During the term of warranty, list the guarantee discount to manufacturer's published list price for parts that bidder will sell the parts to owner.

- A. Terms: Net 30      Manufacturer's published list price less: 0 % discount plus SHIPPING
- B. Terms: Net 60      Manufacturer's published list price less: 0 % discount " "
- C. Terms: Net 90      Manufacturer's published list price less: 0 % discount " "

5. During the term of warranty, will all manufacturers or engineering improvements be submitted to Division of Highways? X YES      NO

6. During the term of warranty, list the guaranteed rates charged for repair to the unit.

- A. Shop Rate      \$ 75.00 per mechanic hour
- B. Travel Time Charge      \$ 25.00 per mechanic hour  
(Specify if one-way)      \_\_\_\_\_; port to port X
- C. Mileage Charge      \$ 0.50 per vehicle mile  
(Specify if one-way)      \_\_\_\_\_; port to port X
- D. Field Mechanic Rate      \$ 85.00 per mechanic hour
- E. Specify period of time that prices are in effect: LIFE OF CONTRACT
- F. Surcharge for miscellaneous items: 2 %

X6.6 EVALUATION COMMITTEE REQUIREMENTS

Is all component specifications, product literature, component models provided for Evaluation Committee bid determination?        YES X NO

THIS UNIT IS MFG. TO COMPLY WITH WV STATE SPECS AND IS NOT A STD. UNIT.

X6.7 Will all parts, equipment, accessories, material, design and performance characteristics not specified herein, but which are necessary to provide a complete unit, be furnished with the unit and conform in strength, quality of material, and quality of workmanship to those which are advertised and provided to the market in general by the unit industry? X YES        NO

X6.7.1 Are all parts and accessories adequate and regularly supplied as standard to be included except those which may be duplications of specifications herein, and except these by specification are not to be furnished? X YES        NO

X6.7.2 Are all standard safety features that are required by Federal and State statutes of law included? X YES        NO

X7.0 SPECIFICATIONS OF THE QUOTED UNIT

The bidder should complete the following schedule in order for the Division to compare the actual bid unit to the specifications. Should the bidder except a requirement, then such exception may be only on the basis that such feature is not offered by the manufacturer. The Division will have the sole discretion as to whether the bidder's substitution meets the requirements of the specifications. by the manufacturer. The Division will have the sole discretion as to whether the bidder's substitution meets the requirements of the specifications.

Is the snowplow designed for mounting on a single axle or tandem dump truck X YES        NO

Is the snowplow capable of plowing to the right or left at an angle approximately 35° discharging to the right or left X YES        NO

DELETE PER ADD #2

Does it have a center mounted trip spring leaving the plow area outside the reversing arc free for nesting close to the pushing vehicle ~~\_\_\_\_\_~~ YES        NO

Is it a straight blade type with an integral type snow shield X YES        NO

Will you supply the hose and fittings to connect both systems to the valve located under the front bumper X YES        NO

Is the blade section type, made up of three (3) and four (4) foot sections to total 10 feet or 11 feet wide, having a tungsten carbide inserted cutting edge X YES        NO

Manufacturer: BONDRELL INDUSTRIES INC. Model: 10ST36MC7WV 10'  
11ST36MC7WV 11'

X7.1 Moldboard:

X7.1.1 Overall Width:

X7.1.1.1 **OPTION #1** - 10 Foot  YES  NO

X7.1.1.2 **OPTION #2** - 11 Foot  YES  NO

X7.1.2 Overall height: 36 inches

X7.1.3 **Moldboard construction:** 10 U.S. Gauge 304 STAINLESS steel and rolled to give the snow a free rolling action  YES  NO

X7.1.4 Travel arc: 35 ° each way; total 70 °

X7.1.5 Moldboard has a cutting edge attach angle with three (3) adjustments from 5 degree, 10 degree, and 20 degree vertical measurement from ground using 3/4 inch pins  YES  NO

X7.1.6 Weight of plow: 10 foot 1,800 Lbs. 11 foot 1,900 Lbs.

X7.1.7 Number of vertical ribs 8 1/2 x 3 1/2 Formed steel

X7.1.8 Is an additional rubber snow shield provided?  YES  NO

Size of belting 5/16" Run entire length of plow?  YES  NO

Mounted so it won't add to overall height?  YES  NO

X7.1.9 Continuously welded ribs, moldboard, and angles  YES  NO

X7.1.10 Reinforced at top and bottom edges?  YES  NO

Top of moldboard reinforced with integrally structural channel?  YES  NO  
ANGLE

Size of channel: L 3 1/2 x 2 1/2 x 3/8

Bottom angle 4 x 4 x 3/4 angle gusseted.

X7.2 Cutting Edge:

X7.2.1 Sectioned, standard AASHO punched, in three (3) foot and four (4) foot lengths?  YES  NO

7  
ROPE

X7.2.2 Blade Sections:

X7.2.2.1 3/4 inch thick by 6 inches wide having a Grade WC cemented tungsten carbide insert of approximately 88 Rockwell A scale hardness?  YES  NO

X7.2.2.2 Insert silver soldered on all sides of a milled slot near the center of the working edge?  YES  NO

X7.2.2.3 Braze joint transverse rupture strength: 345K PSI

X7.2.2.4 Blade section identifiable by manufacturer, name and part number stamped on the reverse side of each section?  YES  NO

X7.2.2.5 Will wrap around curb guards be mounted on right and left side of plow  YES  NO

X7.2.2.6 Curb guards are 3/4 inch thick, 6 inches high and 8 inches long

X7.3 Safety Trip Mechanism:

X7.3.1 Tripping mechanism attached to semi-circle and moldboard ribs use two (2) compression springs  YES  NO

X7.3.2 Are springs two (2) external compression springs sitting inside (2) moldboard adjusting struts made from (2) 1/2 inch x 2.5 inch bars sliding to a 3/4 x 2.5 inch center bar with an overall length of 39.5 inches  YES  NO

X7.3.3 Does the trip mechanism hold the plow rigid in plowing position and trip automatically when cutting edge comes in contact with an obstruction then returns to normal plowing position?  YES  NO

X7.4 Push Frame:

X7.4.1 All welded construction designed per manufacturer's heavy duty specifications?  YES  NO

Push frame length for 10 foot: 120" inches Structural tube size: 4x4x3/8 L

Push frame length for 11 foot: 132" inches Structural tube size: 4x4x3/8 L

X7.4.2 Number of hinges in moldboard to push frame connection? 7

Each hinge has a fully welded in bushing to house pin  YES  NO

Bushings are 1 1/4 inch mounted to two 5/8 inch mounting ears for total bearing surface per



bushing of 2 1/2 inches

YES  NO

X7.4.3 Equipped with an oscillating center pin of plow portion hitch of 2 inch with push plate being 1 inch x 33 inches x 5 inches feature to permit plow to follow uneven road surfaces?

YES  NO

Semi-circle is 3 1/2 inches x 3 1/2 inches x 1/2 inch

YES  NO

X7.4.3.1 Is push frame equipped with a quick hitch connection system specific for WVDOH?

YES  NO

DELETED PER ADD #2

X7.4.4 Hydraulic Power Reversing Mechanism:

X7.4.4.1 Consist of two (2) double acting 4 inch x 2 inch x 10 inch power reversing hydraulic cylinders fitted with the fixed base end in the center of the push frame?  YES  NO

Are cylinders mounted above the semi-circle

YES  NO

X7.4.4.2 Does hydraulic power reverse mechanism include a dual cross-over relief cushion valve?

YES  NO

Rated at 40 GPM

X7.4.4.3 The "A" frame is made from 4 inch channel with 25 inch flanges supporting a 2 inch center reversing pin mounted in a 3 inch, 1/2 inch wall tube and having a grease fitting

YES  NO

Push ends are welded to a 1 inch x 33 inch x 5 inch base plate having a 2 inch pivot hole for the oscillator bar to attach to

YES  NO

X7.4.5 Skid Shoes:

X7.4.5.1 Are caster mounted carbide mushroom type shoes included?  YES  NO

One on each side  YES  NO

X7.4.5.2 Manufacturer's standard adjusting mechanism included?  YES  NO

X7.5 Hitch:

X7.5.1 Universal heavy duty type designed to carry plows of weight specified when mounted on a 32,000 pound class truck minimum?  YES  NO

X7.5.2 Bumper to frame type ~~universally~~ adaptable to any conventional truck and to accommodate a tilt front end on the carrier?  YES  NO

DELETED PER ADD #2

X7.5.2.1 Is hitch attached in truck's frame rails?  YES  NO

X7.5.2.2 Does hitch include a lift system  YES  NO

Designed at a rated capacity of 8,000 lbs.

Is lift cylinder the same size as plows reversing cylinder for WVDOH interchangeability  YES  NO

X7.5.3 Hitch to Bumper Attachment:

X7.5.3.1 Is hitch frame height 33 5/8 inches and hitch width 26 inches  YES  NO

X7.5.3.2 Hitch members are 4 inches x 4 inches x 1/2 inches structural angle or tubing  YES  NO

Hitch is low profile for access to the truck's engine compartment  YES  NO

X7.5.3.3 Is the lift arm and lift frame designed to accept a 4 inch lift cylinder with nitrided cylinder tube?  YES  NO

Cylinder pins are 1 inch cold rolled steel  YES  NO

X7.5.3.4 Does unit have self-storing arm  YES  NO

Is this accomplished by pulling one (1)- one (1) inch pin and folding the cylinder up which allows you to re-pin to store?  YES  NO

X7.5.3.5 Axle clamp allows longitudinal motion but not vertical and horizontal motion?  YES  NO

*SPECS DO NOT MENTION THIS -  
SPECS CALL FOR BUMPER TO FRAME.*

X7.5.4 Does unit provide custom 1/2 inch Grade 50 or better check plates which are bolted welded or bolted to main hitch and allows for bolting to truck's frame rail X YES YES  
YES \_\_\_\_\_ NO

X7.6 Hydraulic System:  
Will you supply the following hydraulic components X YES \_\_\_\_\_ NO

X7.6.1 Provide one (1) 4 inch lift cylinder with 10" stroke double-acting nitrated hydraulic lift cylinder, clevis pinned top and bottom? X YES

X7.6.2 Provide two (2) four (4) inch double acting nitrated hydraulic reversing cylinders? X YES

X7.6.3 Provide three (3) pieces of two (2) wire hydraulic pressure hose one-quarter (1/4) inch diameter by approximately ten (10) feet long? X YES \_\_\_\_\_ YES

Is each hose equipped with the following X YES \_\_\_\_\_ NO

X7.6.3.1 Each hose equipped with one (1) quick coupler at plow end with dust cap? X YES \_\_\_\_\_

NO

Manufacturer/Model: SNAPTITE / VHN

X7.6.3.2 Each hose equipped with two (2) crimp-type fittings with male JIC 370 threads (one (1) to mate with swivel and the other to mate with quick coupler? X YES \_\_\_\_\_ NO

X7.6.3.3 Each hose equipped with one (1) JIC 370 - swivel - 90° elbow/male JIC 370? X YES \_\_\_\_\_

NO

X7.6.3.4 Each hose equipped with one (1) adaptor to mate bank valve port to JIC swivel? X YES \_\_\_\_\_ YES

X7.7 Other Standard Features:

List other standard features offered and not addressed above:

BUILT TO SPECS.

X7.8 Does the proposed unit meet or exceeds the OSHA of 1970 and/or subsequent

changes?

\_\_\_ YES

X7.9 Is snowplow close fitting, simple, reversible snowplow that will be designed to operate as close as possible to the vehicle pushing it, to maintain truck balance within reasonable limits

X YES \_\_\_ NO

Is it a relatively light weight compact unit

X YES \_\_\_ NO

Is push frame and/or hitch assembly designed with regard to overall distance of truck to front of plow which would jeopardize truck balance?

X YES \_\_\_

NO

X7.10 Paint:

X7.10.1 Will unit be sandblasted and prepped prior to painting as stated in 7.10.1? X YES  
YES \_\_\_ NO

X7.10.2 Will complete assembly receive one (1) layer of powder coating X YES  
\_\_\_ NO

X7.10.3 Describe painting of front of plow: AS PER SPECS.

X7.10.4 Describe painting of rear of plow: AS PER SPECS - POWDER COAT BACK

X7.10.5 Paint for push frame and hitch AS PER SPECS - POWDER COAT BACK

Will push frame and hitch be completely covered X YES  
NO

X7.11 Does the unit conform to the advertising guidelines? X YES \_\_\_ NO

X7.12 Will all loose hardware be in separate containers for each plow and be shipped with each plow? X YES



State of West Virginia  
 Department of Administration  
 Purchasing Division  
 2019 Washington Street East  
 Post Office Box 50130  
 Charleston, WV 25305-0130

# Request for Quotation

RFQ NUMBER
7010EC010

PAGE
1

ADDRESS CORRESPONDENCE TO ATTENTION OF
MICHAEL AUSTIN 304-558-2402

RFQ COPY  
 TYPE NAME/ADDRESS HERE

VENDOR

ROPE, INC.  
 PO Box 99  
 FALLING ROCK, WV 25079

SHIP TO

DIVISION OF HIGHWAYS  
 EQUIPMENT DIVISION  
 ROUTE 33  
 BRUSHY FORK ROAD  
 BUCKHANNON, WV 26201  
 304-472-1750

DATE PRINTED	TERMS OF SALE	SHIP VIA	F.O.B.	FREIGHT TERMS
06/25/2010				

BID OPENING DATE: 07/14/2010 BID OPENING TIME 01:30PM

LINE	QUANTITY	UOP	CAT NO	ITEM NUMBER	UNIT PRICE	AMOUNT
***** ADDENDUM NO. 1 *****						
ADDENDUM ISSUED FOR THE POWER REVERSIBLE SNOWPLOW CONTRACT ADVERTISEMENT TO DELAY THE BID DATE. ADDENDUM NO.2 WILL CONTAIN SPECIFICATION CLARIFICATION AND WILL BE ISSUED SHORTLY.						
BID DATE AND OPENING TIME ARE EXTENDED FROM 06/30/10 TO 07/14/10 AT 1:30 PM.						
***** NO OTHER CHANGES *****						
0001	1	EA		765-59		
POWER REVERSIBLE SNOWPLOW						
***** THIS IS THE END OF RFQ 7010EC010 ***** TOTAL:						

SIGNATURE		TELEPHONE 304-548-6701		DATE 7/20/10
TITLE Geo. McGinnis	FEIN 55-0704007	ADDRESS CHANGES TO BE NOTED ABOVE		

WHEN RESPONDING TO RFQ, INSERT NAME AND ADDRESS IN SPACE ABOVE LABELED 'VENDOR'



State of West Virginia  
 Department of Administration  
 Purchasing Division  
 2019 Washington Street East  
 Post Office Box 50130  
 Charleston, WV 25305-0130

**Request for  
 Quotation**

RFQ NUMBER  
 7010EC010

PAGE  
 1

ADDRESS CORRESPONDENCE TO ATTENTION OF  
 BUYER 33  
 304-558-2402

RFQ COPY  
 TYPE NAME/ADDRESS HERE

VENDOR

ROPE, INC.  
 PO Box 99  
 FRANKS ROCK, WV 25079

SHIP TO

DIVISION OF HIGHWAYS  
 EQUIPMENT DIVISION  
 ROUTE 33  
 BRUSHY FORK ROAD  
 BUCKHANNON, WV  
 26201 304-472-1750

DATE PRINTED	TERMS OF SALE	SHIP VIA	F.O.B.	FREIGHT TERMS
07/08/2010				

BID OPENING DATE: 07/20/2010 BID OPENING TIME 01:30PM

LINE	QUANTITY	UOP	CAT NO	ITEM NUMBER	UNIT PRICE	AMOUNT
***** ADDENDUM NO. 2 *****						
ADDENDUM ISSUED FOR THE POWER REVERSIBLE SNOWPLOW CONTRACT ADVERTISEMENT TO DISTRIBUTE THE PRE-BID SIGN-IN SHEETS AND THE REVISIONS TO THE BIDDER'S EVALUATION REPORT AND THE SPECIFICATIONS RESULTING FROM THE MANDATORY PRE-BID ON 06/10/10.						
BID OPENING DATE & TIME ARE EXTENDED FROM 07/14/10 TO 07/20/10 AT 1:30 PM.						
***** NO OTHER CHANGES *****						
0001		EA		765-59		
	1			POWER REVERSIBLE SNOWPLOW		
***** THIS IS THE END OF RFQ 7010EC010 ***** TOTAL:						

SEE REVERSE SIDE FOR TERMS AND CONDITIONS

SIGNATURE: TELEPHONE: 304-548-6701 DATE: 7/20/10

TITLE: G.S. MGR. FEIN: 55-0704007 ADDRESS CHANGES TO BE NOTED ABOVE

WHEN RESPONDING TO RFQ, INSERT NAME AND ADDRESS IN SPACE ABOVE LABELED 'VENDOR'

PREBID ADDENDUM  
OPEN END CONTRACT  
7010EC10

10 FOOT AND 11 FOOT POWER REVERSIBLE SNOWPLOW

CHANGES TO SPECIFICATIONS:

FROM:

7.0 SPECIFICATIONS OF THE QUOTED UNIT ARE AS FOLLOWS:  
(1<sup>st</sup> Paragraph)

The hydraulically reversible snowplow to be designed for mounting on a single axle or tandem dump truck. The snowplow to be capable of plowing to the right or left at an angle of approximately thirty-five degrees (35°) discharging snow to the right or left. It should have a center mounted trip spring leaving the plow area outside the reversing arc free for nesting close to the pushing vehicle. It should be a straight blade type with an integral type snow shield.

TO:

7.0 SPECIFICATIONS OF THE QUOTED UNIT ARE AS FOLLOWS:  
(1<sup>st</sup> Paragraph)

The hydraulically reversible snowplow to be designed for mounting on a single axle or tandem dump truck. The snowplow to be capable of plowing to the right or left at an angle of approximately thirty-five degrees (35°) discharging snow to the right or left. It should be a straight blade type with an integral type snow shield. It should have two (2) trip springs setting inside the two (2) moldboard struts.

FROM:

7.1.6 Weight of plow: 10 foot – 1750 pounds      11 foot – 1815 pounds

TO:

7.1.6 **Weight of plow:      10 foot – 1750 pounds minimum**  
**11 foot – 1815 pounds minimum**

DELETE:

7.4.3.1 **Push frame shall be equipped with a quick hitch connection system specific for WVDOH**

Rope

**FROM:**

**7.4.4.1** Shall be two (2) double acting 4 inch x 2 inch x 10 inch power reversing nitrided hydraulic cylinders fitted with the fixed base end near the center of the push frame. Cylinders shall be mounted above the semi-circle.

**TO:**

**7.4.4.1** Shall be two (2) double acting 4 inch x 2 inch power reversing nitrided hydraulic cylinders fitted with the fixed base end near the center of the push frame. Cylinders shall be mounted above the semi-circle.

**FROM:**

**7.5.2** The hitch shall be a bumper to frame type universally adaptable to any conventional truck and to accommodate the tilt front end on the carrier.

**TO:**

**7.5.2** The hitch shall be a bumper frame type adaptable to any conventional truck and to accommodate the tilt front end on the carrier.

**FROM:**

**7.10.2** The complete assembly to receive one (1) layer of powder coating.

**TO:**

**7.10.2** The complete assembly to receive one (1) layer of powder coating. The front may be sprayed in enamel.



PREBID ADDENDUM  
OPEN END CONTRACT  
7010EC10

10 FOOT AND 11 FOOT POWER REVERSIBLE SNOWPLOWS

CHANGES TO BIDDER'S EVALUATION REPORT:

DELETE:

X7.0 SPECIFICATIONS OF THE QUOTED UNIT  
(4<sup>th</sup> Paragraph)

Does it have a center mounted trip spring leaving the plow area outside the reversing arc free for nesting close to the pushing vehicle \_\_ YES \_\_ NO

ADD:  
X7.0

SPECIFICATIONS OF THE QUOTED UNIT

Does it have two (2) trip springs setting inside the two (2) ~~metal~~board struts  
\_\_ XX YES \_\_\_\_ NO

NO CHANGE REQUIRED:

X7.1.6 Weight of plow: 10 foot - 1,800 Lbs. 11 foot - 1,900 Lbs.

DELETE:  
X7.4.3.1

Is push frame equipped with a quick hitch connection system specific for WVDOH \_\_ YES \_\_ NO

FROM:  
X7.4.4.1

Consist of two (2) double acting 4 inch x 2 inch x 10 inch power reversing hydraulic cylinders fitted with the fixed base end in the center of the push frame? ~~YES~~ -YES \_\_ NO

Are cylinders mounted above the semi-circle ~~YES~~ YES \_\_ NO

TO:  
X7.4.4.1

Consist of two (2) double acting 4 inch x 2 inch power reversing hydraulic cylinders fitted with the fixed base end in the center of the push frame?

XX YES \_\_\_\_ NO

Are cylinders mounted above the semi-circle XX YES \_\_\_\_ NO

Rope, Inc.

Page 2  
PreBid Addendum  
Bidder's Evaluation Report

FROM:  
X7.5.2

Bumper to frame type universally adaptable to any conventional truck and to accommodate a tilt front end on the carrier?  YES  NO

TO:  
X7.5.2

Bumper to frame type adaptable to any conventional truck and to accommodate a tilt front end on the carrier?  YES  NO

FROM:  
X7.10.2

Will complete assembly receive one (1) layer of powder coating  YES  NO

TO:  
X7.10.2

Will complete assembly receive one (1) layer of powder coating?  YES  NO

Will front be sprayed in enamel?  YES  NO



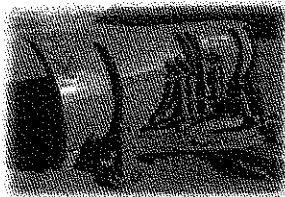
[Home](#) » [Company](#)

## The History of Bonnell Industries



While working as a driver with a road construction contractor, Jesse Bonnell saw a need for a welding service dedicated to repairing broken axles on heavy-duty trucks. As a result, on October 15, 1960, Jesse founded J. L. Bonnell's Welding Service. During the first two years of operation, he operated out of his home in Dixon as a portable welding service. In 1962, Jesse rented a building from where he began manufacturing the forerunner to our current road maintainers. Side plate snowplow hitches were added as a manufactured product in 1963. The company soon outgrew that facility and moved to a larger site in 1964.

The present 4-1/2 acre location was purchased in 1972, and an 8,700-sq. ft. shop as well as a 1,400-sq. ft. office was completed in November of that year. A warehouse was constructed in 1973, the same year that the company name was changed to J. L. Bonnell & Sons Welding. The Bonnell Industries, Inc. name was adopted in 1979. After several severe winters in which it was difficult to obtain product from suppliers, 1980 saw the introduction of Bonnell snow plows into the marketplace. The original shop was expanded by 8,700-sq. ft. in 1982.



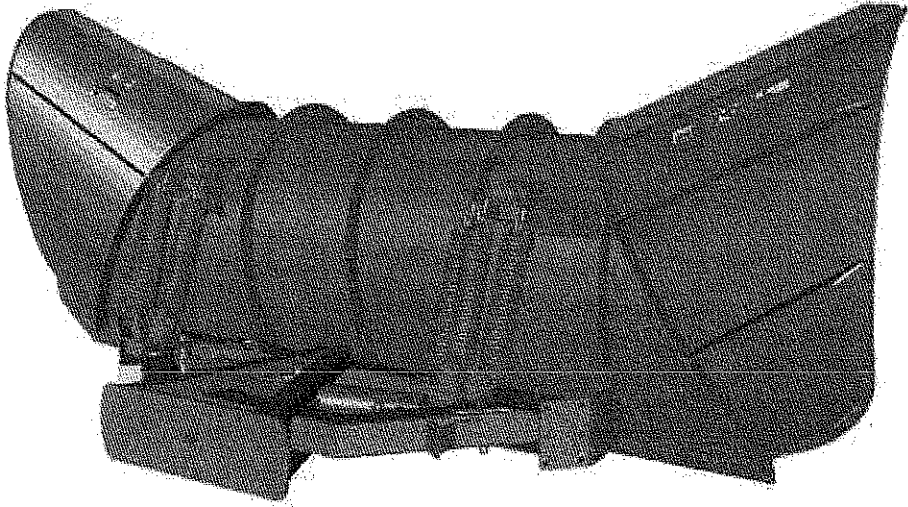
When Jesse retired in 1984, Bob Bonnell purchased the company from his father. Bonnell became a full-time truck equipment distributor in 1985. 1987 brought the addition of 2,300-sq. ft. to the original warehouse. A modern downdraft, oven-bake paint facility was added in 1994. Snow and ice control spreaders were added to the list of manufactured products in 1995.

In 1997, the original office building was demolished to make way for new state-of-the-art corporate offices and a 2,000-sq. ft. display showroom. At the same time, an additional 4,600-sq. ft. product warehouse was built on the eastern edge of the property.

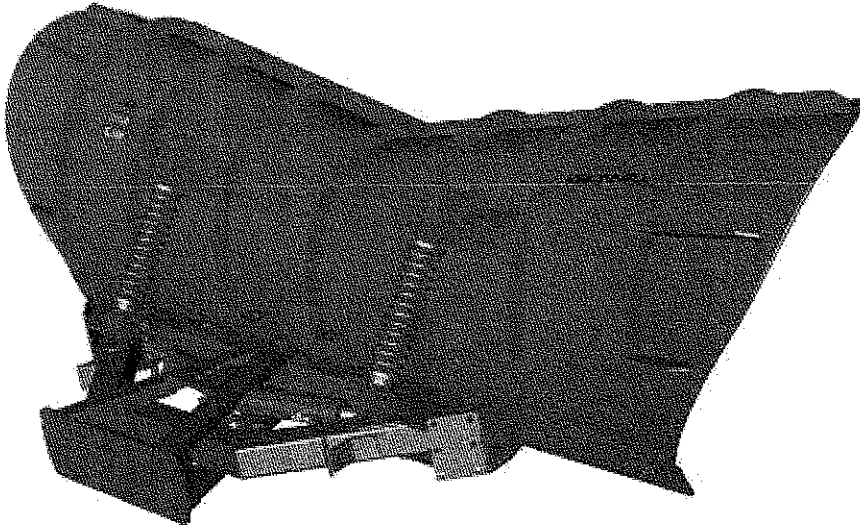
Today, Bonnell Industries is one of the leading truck equipment distributors in Northern Illinois. Through our nationwide distributor network, we are also a major supplier of snowplows and spreaders for municipalities throughout the country. Our current establishment includes 46,000-sq. ft. of floor space and is one of the most modern facilities within our industry. We take great pride in the quality of products and services we offer to our customers. The dedication and loyalty of our employees is a major factor in our past success and will ultimately pave the way for continued growth and expansion in the future.

## Snow Plows

EXAmPles

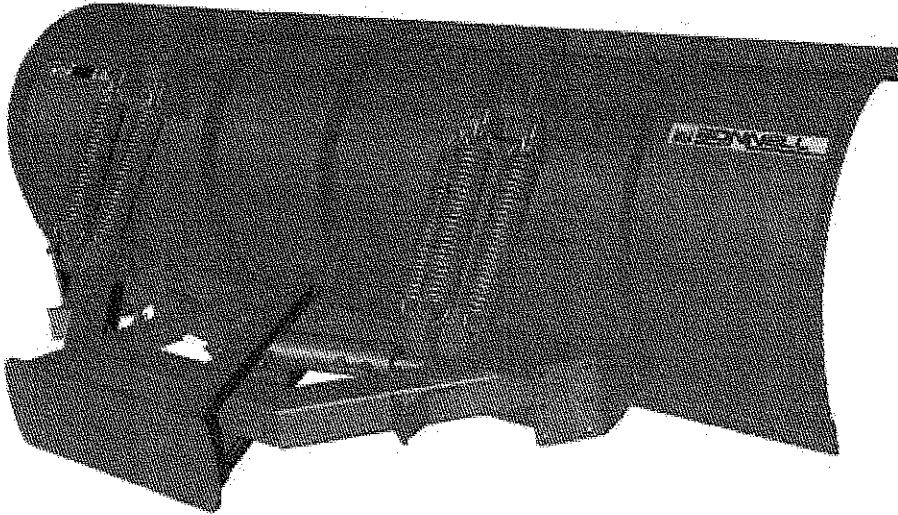


HC Distant  
Discharge

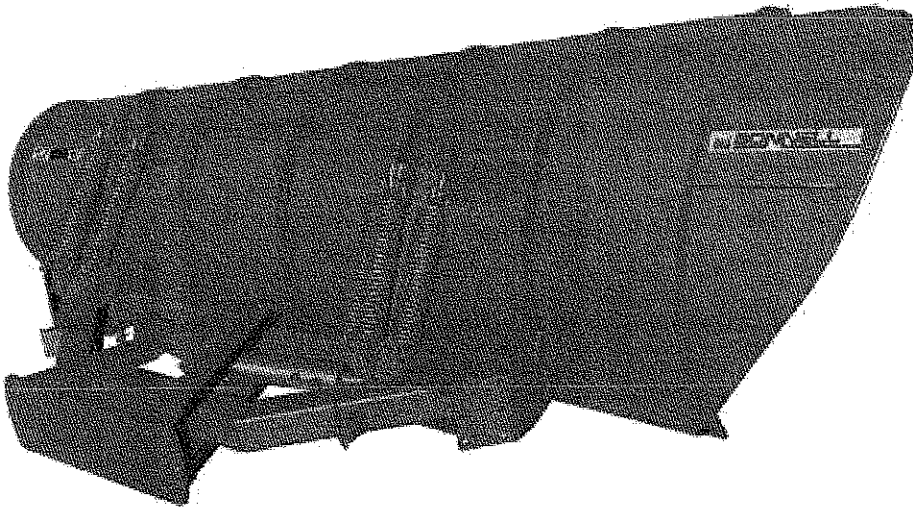


HC  
Expressway

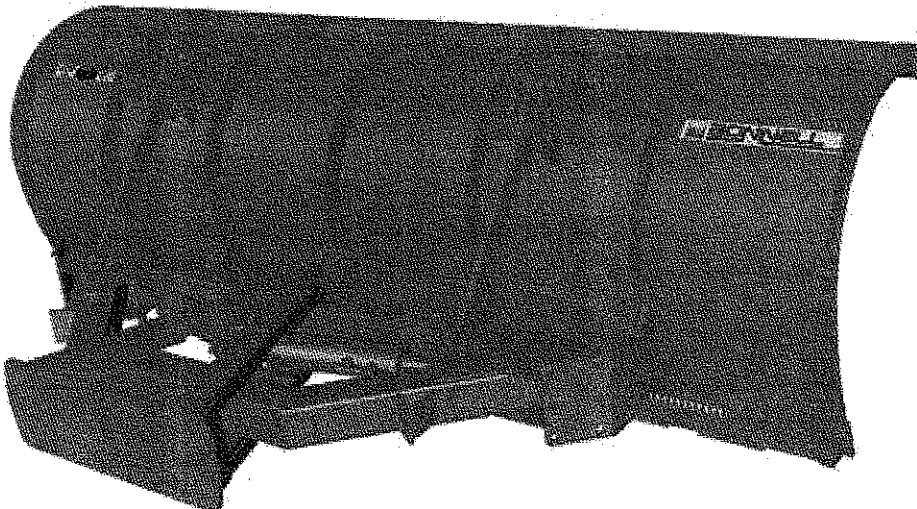
Rope



HC Straight  
Snow Plow

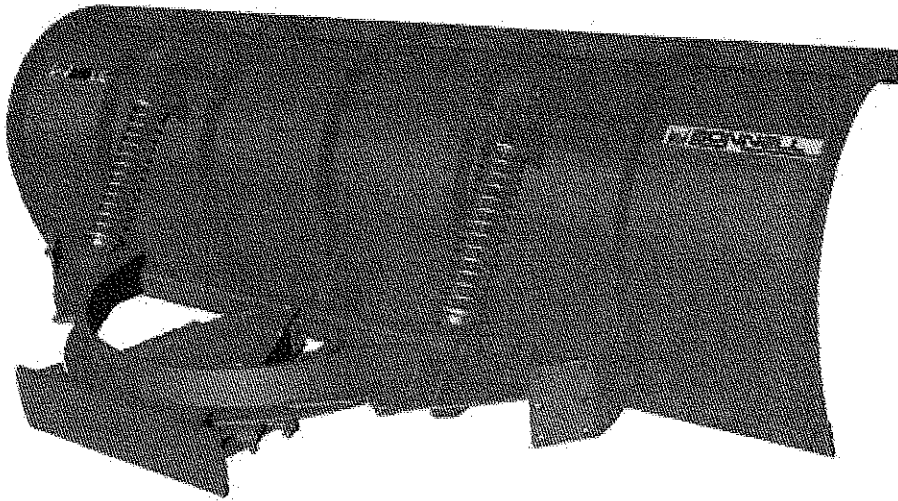


HC Tapered  
Snow Plow

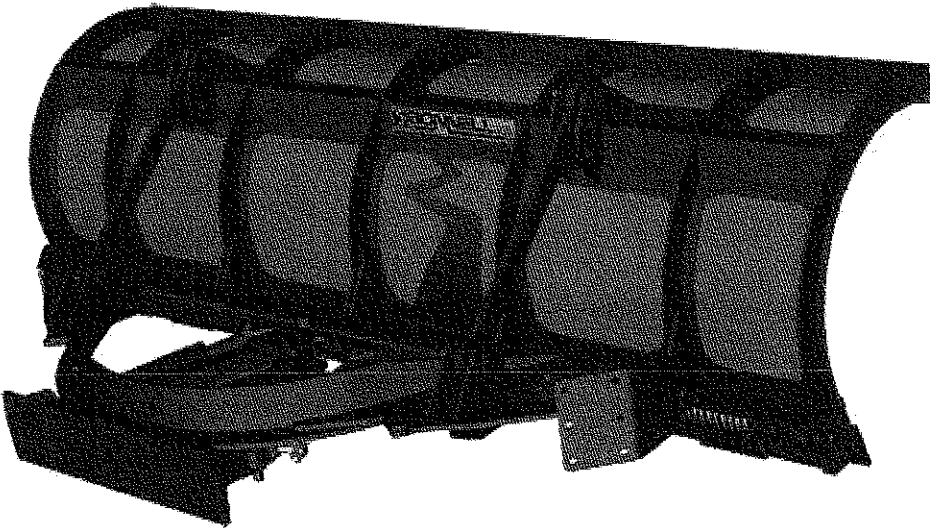


Torsion Trip

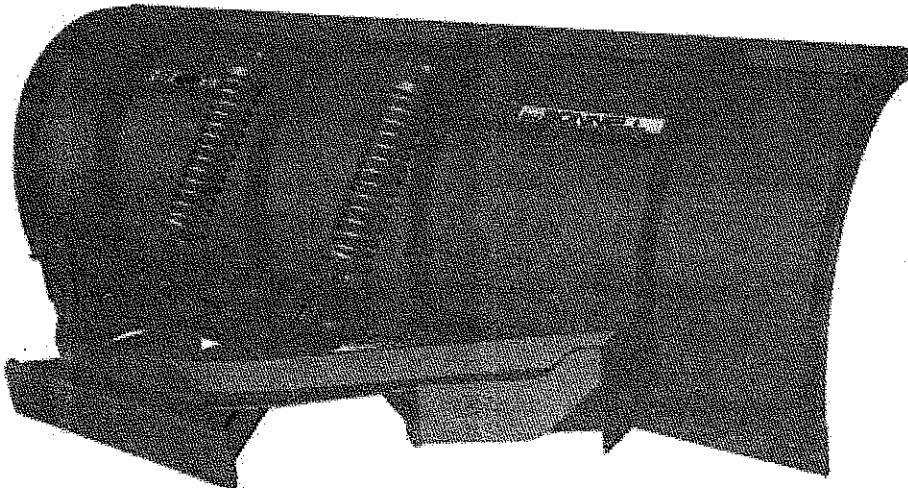
Rope



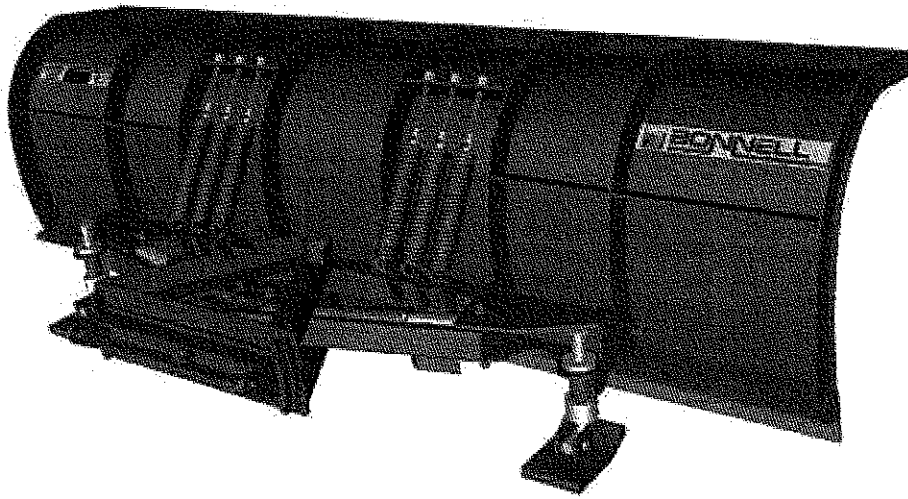
Metropolitan  
Straight  
Snow Plow



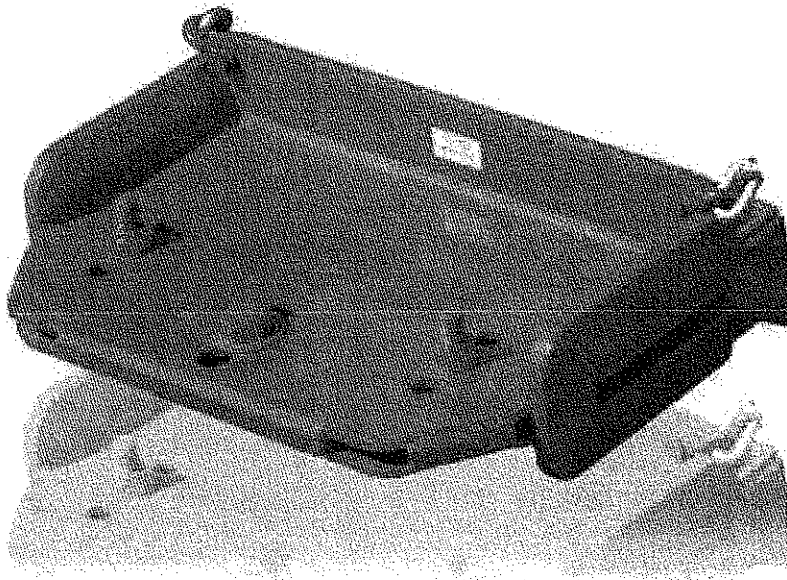
Metropolitan  
Torsion Trip  
Snow Plow



Mid Weight  
Straight  
Snow Plow



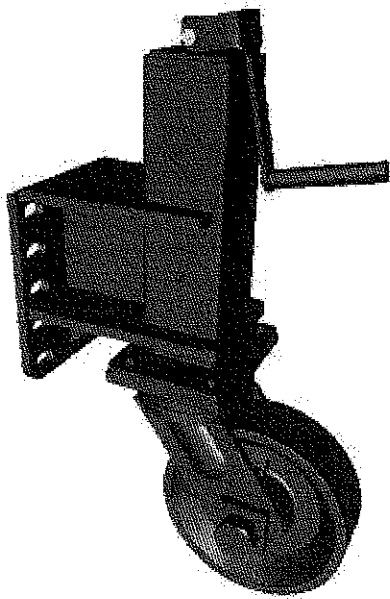
Straight Utility  
Snow Plow



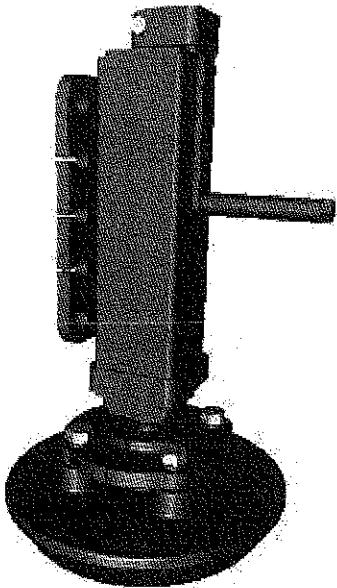
Level Raise  
Lift System

---

Rope

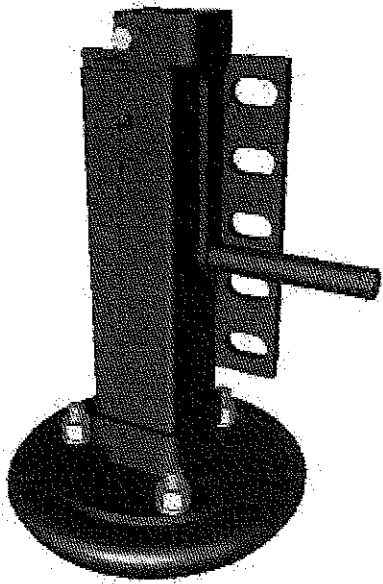


10 inch  
Kingpinless  
Steel Wheel  
Casters

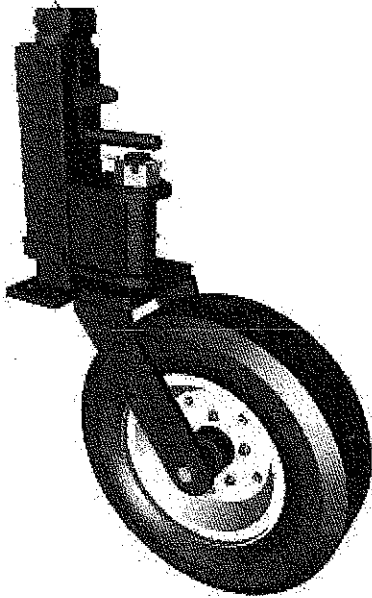


HD Even  
Wear Shoe  
Assembly





Mushroom  
Shoe  
Assembly



Rubber Tire  
Assembly

---

ROPE

State of West Virginia

VENDOR PREFERENCE CERTIFICATE

Certification and application\* is hereby made for Preference in accordance with West Virginia Code, §5A-3-37. (Does not apply to construction contracts). West Virginia Code, §5A-3-37, provides an opportunity for qualifying vendors to request (at the time of bid) preference for their residency status. Such preference is an evaluation method only and will be applied only to the cost bid in accordance with the West Virginia Code. This certificate for application is to be used to request such preference. The Purchasing Division will make the determination of the Resident Vendor Preference, if applicable.

- 1. Application is made for 2.5% resident vendor preference for the reason checked: Bidder is an individual resident vendor and has resided continuously in West Virginia for four (4) years immediately preceding the date of this certification; or, Bidder is a partnership, association or corporation resident vendor and has maintained its headquarters or principal place of business continuously in West Virginia for four (4) years immediately preceding the date of this certification; or 80% of the ownership interest of Bidder is held by another individual, partnership, association or corporation resident vendor who has maintained its headquarters or principal place of business continuously in West Virginia for four (4) years immediately preceding the date of this certification; or, Bidder is a nonresident vendor which has an affiliate or subsidiary which employs a minimum of one hundred state residents and which has maintained its headquarters or principal place of business within West Virginia continuously for the four (4) years immediately preceding the date of this certification; or,
2. Application is made for 2.5% resident vendor preference for the reason checked: Bidder is a resident vendor who certifies that, during the life of the contract, on average at least 75% of the employees working on the project being bid are residents of West Virginia who have resided in the state continuously for the two years immediately preceding submission of this bid; or,
3. Application is made for 2.5% resident vendor preference for the reason checked: Bidder is a nonresident vendor employing a minimum of one hundred state residents or is a nonresident vendor with an affiliate or subsidiary which maintains its headquarters or principal place of business within West Virginia employing a minimum of one hundred state residents who certifies that, during the life of the contract, on average at least 75% of the employees or Bidder's affiliate's or subsidiary's employees are residents of West Virginia who have resided in the state continuously for the two years immediately preceding submission of this bid; or,
4. Application is made for 5% resident vendor preference for the reason checked: Bidder meets either the requirement of both subdivisions (1) and (2) or subdivision (1) and (3) as stated above; or,
5. Application is made for 3.5% resident vendor preference who is a veteran for the reason checked: Bidder is an individual resident vendor who is a veteran of the United States armed forces, the reserves or the National Guard and has resided in West Virginia continuously for the four years immediately preceding the date on which the bid is submitted; or,
6. Application is made for 3.5% resident vendor preference who is a veteran for the reason checked: Bidder is a resident vendor who is a veteran of the United States armed forces, the reserves or the National Guard, if, for purposes of producing or distributing the commodities or completing the project which is the subject of the vendor's bid and continuously over the entire term of the project, on average at least seventy-five percent of the vendor's employees are residents of West Virginia who have resided in the state continuously for the two immediately preceding years.

Bidder understands if the Secretary of Revenue determines that a Bidder receiving preference has failed to continue to meet the requirements for such preference, the Secretary may order the Director of Purchasing to: (a) reject the bid; or (b) assess a penalty against such Bidder in an amount not to exceed 5% of the bid amount and that such penalty will be paid to the contracting agency or deducted from any unpaid balance on the contract or purchase order.

By submission of this certificate, Bidder agrees to disclose any reasonably requested information to the Purchasing Division and authorizes the Department of Revenue to disclose to the Director of Purchasing appropriate information verifying that Bidder has paid the required business taxes, provided that such information does not contain the amounts of taxes paid nor any other information deemed by the Tax Commissioner to be confidential.

Under penalty of law for false swearing (West Virginia Code, §61-5-3), Bidder hereby certifies that this certificate is true and accurate in all respects; and that if a contract is issued to Bidder and if anything contained within this certificate changes during the term of the contract, Bidder will notify the Purchasing Division in writing immediately.

Bidder: Rope Inc. Signed: [Signature]
Date: 7/20/10 Title: Gen. MGR.

\*Check any combination of preference consideration(s) indicated above, which you are entitled to receive.

RFQ No. 7010ECO10

STATE OF WEST VIRGINIA  
Purchasing Division

**PURCHASING AFFIDAVIT**

West Virginia Code §5A-3-10a states: No contract or renewal of any contract may be awarded by the state or any of its political subdivisions to any vendor or prospective vendor when the vendor or prospective vendor or a related party to the vendor or prospective vendor is a debtor and the debt owned is an amount greater than one thousand dollars in the aggregate

**DEFINITIONS:**

"Debt" means any assessment, premium, penalty, fine, tax or other amount of money owed to the state or any of its political subdivisions because of a judgment, fine, permit violation, license assessment, defaulted workers' compensation premium, penalty or other assessment presently delinquent or due and required to be paid to the state or any of its political subdivisions, including any interest or additional penalties accrued thereon.

"Debtor" means any individual, corporation, partnership, association, Limited Liability Company or any other form or business association owing a debt to the state or any of its political subdivisions. "Political subdivision" means any county commission; municipality; county board of education; any instrumentality established by a county or municipality; any separate corporation or instrumentality established by one or more counties or municipalities, as permitted by law; or any public body charged by law with the performance of a government function or whose jurisdiction is coextensive with one or more counties or municipalities. "Related party" means a party, whether an individual, corporation, partnership, association, limited liability company or any other form or business association or other entity whatsoever, related to any vendor by blood, marriage, ownership or contract through which the party has a relationship of ownership or other interest with the vendor so that the party will actually or by effect receive or control a portion of the benefit, profit or other consideration from performance of a vendor contract with the party receiving an amount that meets or exceed five percent of the total contract amount.

**EXCEPTION:** The prohibition of this section does not apply where a vendor has contested any tax administered pursuant to chapter eleven of this code, workers' compensation premium, permit fee or environmental fee or assessment and the matter has not become final or where the vendor has entered into a payment plan or agreement and the vendor is not in default of any of the provisions of such plan or agreement.

Under penalty of law for false swearing (*West Virginia Code* §61-5-3), it is hereby certified that the vendor affirms and acknowledges the information in this affidavit and is in compliance with the requirements as stated.

**WITNESS THE FOLLOWING SIGNATURE**

Vendor's Name: Rodriguez

Authorized Signature: [Signature] Date: 7/20/10

State of West Virginia

County of Kanawha, to-wit:

Taken, subscribed, and sworn to before me this 20 day of July, 2010.

My Commission expires 4/20/2020, 20  .

AFFIX SEAL HERE

NOTARY PUBLIC James Wallace Rollins

