



State of West Virginia
 Department of Administration
 Purchasing Division
 2019 Washington Street East
 Post Office Box 50130
 Charleston, WV 25305-0130

Request for Quotation

RFQ NUMBER
GSD106457

PAGE
1

ADDRESS CORRESPONDENCE TO ATTENTION OF
**KRISTA FERRELL
 304-558-2596**

VENDOR

*709040719 304-766-6277
 ELECTRONIC SPECIALTY COMPANY
 PO BOX 400
 1325 DUNBAR AVE
 DUNBAR WV 25064

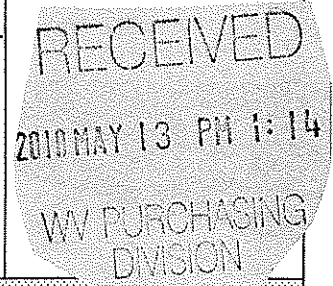
SHIP TO

DEPARTMENT OF ADMINISTRATION
 GENERAL SERVICES DIVISION
 BUILDING 84 CORNERSTONE
 1409 GREENBRIER ST
 CHARLESTON WV
 25311 304-558-2317

DATE PRINTED	TERMS OF SALE	SHIP VIA	F.O.B.	FREIGHT TERMS
04/14/2010	Net 30	Our Truck		

BID OPENING DATE: **05/13/2010** BID OPENING TIME **01:30PM**

LINE	QUANTITY	UOP	CAT NO.	ITEM NUMBER	UNIT PRICE	AMOUNT
0001	1	LS		936-73		\$19,994.00
<p>SECURITY SYSTEM INSTALLATION, BLDG#84, CORNERSTONE</p> <p>REQUEST FOR QUOTATION (RFQ)</p> <p>THE WEST VIRGINIA DIVISION OF PURCHASING FOR THE AGENCY THE WEST VIRGINIA DIVISION OF GENERAL SERVICES, IS SOLICITING BIDS TO PROVIDE THE AGENCY WITH ALL LABOR AND MATERIALS FOR THE INSTALLATION OF A NEW SECURITY SYSTEM FOR BUILDING #84 (CORNERSTONE) LOCATED AT 1409 GREENBRIER STREET IN CHARLESTON, WEST VIRGINIA PER THE ATTACHED SPECIFICATIONS.</p> <p>A MANDATORY PRE-BID WILL BE HELD ON APRIL 29, 2010 @ 10:00PM ON SITE. VENDORS ARE TO MEET IN THE LOBBY. ALL INTERESTED PARTIES ARE REQUIRED TO ATTEND THIS MEETING. FAILURE TO ATTEND THE MANDATORY PRE-BID SHALL RESULT IN DISQUALIFICATION OF THE BID. NO ONE PERSON MAY REPRESENT MORE THAN ONE BIDDER.</p> <p>AN ATTENDANCE SHEET WILL BE MADE AVAILABLE FOR ALL POTENTIAL BIDDERS TO COMPLETE. THIS WILL SERVE AS THE OFFICIAL DOCUMENT VERIFYING ATTENDANCE AT THE MANDATORY PRE-BID. FAILURE TO PROVIDE YOUR COMPANY AND REPRESENTATIVE NAME ON THE ATTENDANCE SHEET WILL RESULT IN DISQUALIFICATION OF THE BID. THE STATE WILL NOT ACCEPT ANY OTHER DOCUMENTATION TO VERIFY ATTENDANCE. THE BIDDER IS RESPONSIBLE FOR ENSURING THEY HAVE COMPLETED THE INFORMATION REQUIRED ON THE ATTENDANCE SHEET. THE PURCHASING DIVISION AND THE STATE AGENCY</p>						



SEE REVERSE SIDE FOR TERMS AND CONDITIONS

SIGNATURE: *[Signature]* TELEPHONE: 304-766-6277 DATE: 5/12/2010

TITLE: Systems Solution Provider FEIN: 55-0452548 ADDRESS CHANGES TO BE NOTED ABOVE

WHEN RESPONDING TO RFQ, INSERT NAME AND ADDRESS IN SPACE ABOVE LABELED 'VENDOR'

GENERAL TERMS & CONDITIONS
REQUEST FOR QUOTATION (RFQ) AND REQUEST FOR PROPOSAL (RFP)

1. Awards will be made in the best interest of the State of West Virginia.
2. The State may accept or reject in part, or in whole, any bid.
3. Prior to any award, the apparent successful vendor must be properly registered with the Purchasing Division and have paid the required \$125 fee.
4. All services performed or goods delivered under State Purchase Order/Contracts are to be continued for the term of the Purchase Order/Contracts, contingent upon funds being appropriated by the Legislature or otherwise being made available. In the event funds are not appropriated or otherwise available for these services or goods this Purchase Order/Contract becomes void and of no effect after June 30.
5. Payment may only be made after the delivery and acceptance of goods or services.
6. Interest may be paid for late payment in accordance with the *West Virginia Code*.
7. Vendor preference will be granted upon written request in accordance with the *West Virginia Code*.
8. The State of West Virginia is exempt from federal and state taxes and will not pay or reimburse such taxes.
9. The Director of Purchasing may cancel any Purchase Order/Contract upon 30 days written notice to the seller.
10. The laws of the State of West Virginia and the *Legislative Rules* of the Purchasing Division shall govern the purchasing process.
11. Any reference to automatic renewal is hereby deleted. The Contract may be renewed only upon mutual written agreement of the parties.
12. **BANKRUPTCY:** In the event the vendor/contractor files for bankruptcy protection, the State may deem this contract null and void, and terminate such contract without further order.
13. **HIPAA BUSINESS ASSOCIATE ADDENDUM:** The West Virginia State Government HIPAA Business Associate Addendum (BAA), approved by the Attorney General, is available online at www.state.wv.us/admin/purchase/vrc/hipaa.htm and is hereby made part of the agreement. Provided that the Agency meets the definition of a Cover Entity (45 CFR §160.103) and will be disclosing Protected Health Information (45 CFR §160.103) to the vendor.
14. **CONFIDENTIALITY:** The vendor agrees that he or she will not disclose to anyone, directly or indirectly, any such personally identifiable information or other confidential information gained from the agency, unless the individual who is the subject of the information consents to the disclosure in writing or the disclosure is made pursuant to the agency's policies, procedures, and rules. Vendor further agrees to comply with the Confidentiality Policies and Information Security Accountability Requirements, set forth in <http://www.state.wv.us/admin/purchase/privacy/noticeConfidentiality.pdf>.
15. **LICENSING:** Vendors must be licensed and in good standing in accordance with any and all state and local laws and requirements by any state or local agency of West Virginia, including, but not limited to, the West Virginia Secretary of State's Office, the West Virginia Tax Department, and the West Virginia Insurance Commission. The vendor must provide all necessary releases to obtain information to enable the director or spending unit to verify that the vendor is licensed and in good standing with the above entities.
16. **ANTITRUST:** In submitting a bid to any agency for the State of West Virginia, the bidder offers and agrees that if the bid is accepted the bidder will convey, sell, assign or transfer to the State of West Virginia all rights, title and interest in and to all causes of action it may now or hereafter acquire under the antitrust laws of the United States and the State of West Virginia for price fixing and/or unreasonable restraints of trade relating to the particular commodities or services purchased or acquired by the State of West Virginia. Such assignment shall be made and become effective at the time the purchasing agency tenders the initial payment to the bidder.

I certify that this bid is made without prior understanding, agreement, or connection with any corporation, firm, limited liability company, partnership, or person or entity submitting a bid for the same material, supplies, equipment or services and is in all respects fair and without collusion or fraud. I further certify that I am authorized to sign the certification on behalf of the bidder or this bid.

INSTRUCTIONS TO BIDDERS

1. Use the quotation forms provided by the Purchasing Division. Complete all sections of the quotation form.
2. Items offered must be in compliance with the specifications. Any deviation from the specifications must be clearly indicated by the bidder. Alternates offered by the bidder as **EQUAL** to the specifications must be clearly defined. A bidder offering an alternate should attach complete specifications and literature to the bid. The Purchasing Division may waive minor deviations to specifications.
3. Unit prices shall prevail in case of discrepancy. All quotations are considered F.O.B. destination unless alternate shipping terms are clearly identified in the quotation.
4. All quotations must be delivered by the bidder to the office listed below prior to the date and time of the bid opening. Failure of the bidder to deliver the quotations on time will result in bid disqualifications: Department of Administration, Purchasing Division, 2019 Washington Street East, P.O. Box 50130, Charleston, WV 25305-0130
5. Communication during the solicitation, bid, evaluation or award periods, except through the Purchasing Division, is strictly prohibited (W.Va. C.S.R. §148-1-6.6).



State of West Virginia
 Department of Administration
 Purchasing Division
 2019 Washington Street East
 Post Office Box 50130
 Charleston, WV 25305-0130

Request for Quotation

RFQ NUMBER
GSD106457

PAGE
2

ADDRESS CORRESPONDENCE TO ATTENTION OF
KRISTA FERRELL 304-558-2596

ROBERTSON

*709040719 304-766-6277
 ELECTRONIC SPECIALTY COMPANY
 PO BOX 400
 1325 DUNBAR AVE
 DUNBAR WV 25064

SHEPHERD

DEPARTMENT OF ADMINISTRATION
 GENERAL SERVICES DIVISION
 BUILDING 84 CORNERSTONE
 1409 GREENBRIER ST
 CHARLESTON WV
 25311 304-558-2317

DATE PRINTED	TERMS OF SALE	SHIP VIA	F.O.B.	FREIGHT TERMS
04/14/2010				

BID OPENING DATE: **05/13/2010** BID OPENING TIME **01:30PM**

LINE	QUANTITY	UOP	CAT NO	ITEM NUMBER	UNIT PRICE	AMOUNT
<p>WILL NOT ASSUME ANY RESPONSIBILITY FOR A BIDDER-S FAILURE TO COMPLETE THE PRE-BID ATTENDANCE SHEET. IN ADDITION, WE REQUEST THAT ALL POTENTIAL BIDDERS INCLUDE THEIR E-MAIL ADDRESS AND FAX NUMBER.</p> <p>ALL POTENTIAL BIDDERS ARE REQUESTED TO ARRIVE PRIOR TO THE STARTING TIME FOR THE PRE-BID. BIDDERS WHO ARRIVE LATE, BUT PRIOR TO THE DISMISSAL OF THE TECHNICAL PORTION OF THE PRE-BID WILL BE PERMITTED TO SIGN IN. BIDDERS WHO ARRIVE AFTER CONCLUSION OF THE TECHNICAL PORTION OF THE PRE-BID, BUT DURING ANY SUBSEQUENT PART OF THE PRE-BID WILL NOT BE PERMITTED TO SIGN THE ATTENDANCE SHEET.</p> <p>TECHNICAL QUESTIONS CONCERNING THIS PROJECT MSUT BE SUBMITTED IN WRITING TO KRISTA FERRELL IN THE WEST VIRGINIA PURCHASING DIVISION VIA MAIL AT THE ADDRESS SHOWN IN THE BODY OF THIS RFQ, VIA FAX AT 304-558 4115, OR VIA EMAIL AT KRISTA.S.FERRELL@WV.GOV. DEADLINE FOR ALL TECHNICAL QUESTIONS IS MONDAY, MAY 4, 2009 AT THE CLOSE OF BUSINESS. ALL TECHNICAL QUESTIONS RECEIVED, IF ANY, WILL BE ADDRESSED BY ADDENDUM AFTER THE DEADLINE HAS LAPSED.</p> <p>QUESTIONS CONCERNING THE PROCESS BY WHICH A VENDOR MAY SUBMIT A BID TO THE STATE OF WEST VIRGINIA AREA NOT CONSIDERED TO BE TECHNICAL QUESTIONS AND MAY BE SUBMITTED ANY ANY TIME PRIOR TO THE BID OPENING AND IN ANY FORMAT.</p> <p>THE MODEL/BRAND/SPECIFICATIONS NAMED HEREIN ESTABLISH THE ACCEPTABLE LEVEL OF QUALITY ONLY AND ARE NOT INTENDED TO REFLECT A PREFERENCE OR FAVOR ANY PARTICULAR BRAND OR VENDOR. VENDORS WHO ARE BIDDING ALTERNATES SHOULD SO STATE AND INCLUDE PERTINENT LITERATURE AND SPECIFICATIONS. FAILURE TO PROVIDE</p>						

SEE REVERSE SIDE FOR TERMS AND CONDITIONS

SIGNATURE	TELEPHONE	DATE
TITLE	FEIN	ADDRESS CHANGES TO BE NOTED ABOVE

WHEN RESPONDING TO RFQ, INSERT NAME AND ADDRESS IN SPACE ABOVE LABELED 'VENDOR'



State of West Virginia
 Department of Administration
 Purchasing Division
 2019 Washington Street East
 Post Office Box 50130
 Charleston, WV 25305-0130

Request for Quotation

RFQ NUMBER
GSD106457

PAGE
3

ADDRESS CORRESPONDENCE TO ATTENTION OF
**KRISTA FERRELL
 304-558-2596**

RECEIVED FOR

*709040719 304-766-6277
 ELECTRONIC SPECIALTY COMPANY
 PO BOX 400
 1325 DUNBAR AVE
 DUNBAR WV 25064

SHIP TO

DEPARTMENT OF ADMINISTRATION
 GENERAL SERVICES DIVISION
 BUILDING 84 CORNERSTONE
 1409 GREENBRIER ST
 CHARLESTON WV
 25311 304-558-2317

DATE PRINTED 04/14/2010	TERMS OF SALE	SHIP VIA	FOB	FREIGHT TERMS
-----------------------------------	---------------	----------	-----	---------------

BID OPENING DATE: **05/13/2010** BID OPENING TIME **01:30PM**

LINE	QUANTITY	UOP	CAT. NO.	ITEM NUMBER	UNIT PRICE	AMOUNT
<p>INFORMATION FOR ANY ALTERNATES MAY BE GROUNDS FOR REJECTION OF THE BID. THE STATE RESERVES THE RIGHT TO WAIVE MINOR IRREGULARITIES IN BIDS OR SPECIFICATIONS IN ACCORDANCE WITH SECTION 148-1-4(F) OF THE WEST VIRGINIA LEGISLATIVE RULES AND REGULATIONS.</p> <p>EXHIBIT 5</p> <p>WEST VIRGINIA CODE 21-1D-5 PROVIDES THAT: ANY SOLICITATION FOR A PUBLIC IMPROVEMENT CONSTRUCTION CONTRACT REQUIRES EACH VENDOR THAT SUBMITS A BID FOR THE WORK TO SUBMIT AT THE SAME TIME AN AFFIDAVIT OF COMPLIANCE WITH THE BID. THE ENCLOSED DRUG-FREE WORKPLACE AFFIDAVIT MUST BE SIGNED AND SUBMITTED WITH THE BID AS EVIDENCE OF THE VENDOR'S COMPLIANCE WITH THE PROVISIONS OF ARTICLE 1D, CHAPTER 21 OF THE WEST VIRGINIA CODE. FAILURE TO SUBMIT THE SIGNED DRUG-FREE WORKPLACE AFFIDAVIT WITH THE BID SHALL RESULT IN DISQUALIFICATION OF SUCH BID.</p> <p>NOTICE TO PROCEED: THIS CONTRACT IS TO BE PERFORMED WITHIN 30 CALENDAR DAYS AFTER THE NOTICE TO PROCEED IS RECEIVED. THE AGENCY WILL ISSUE A WRITTEN NOTICE TO PROCEED TO THE SUCCESSFUL VENDOR.</p> <p>CANCELLATION: THE DIRECTOR OF PURCHASING RESERVES THE RIGHT TO CANCEL THIS CONTRACT IMMEDIATELY UPON WRITTEN NOTICE TO THE VENDOR IF THE MATERIALS OR WORKMANSHIP SUPPLIED ARE OF AN INFERIOR QUALITY OR DO NOT CONFORM WITH THE SPECIFICATIONS OF THE BID AND CONTRACT HERE IN.</p> <p>WAGE RATES: THE CONTRACTOR OR SUBCONTRACTOR SHALL PAY THE HIGHER OF THE U.S. DEPARTMENT OF LABOR MINIMUM WAGE RATES AS ESTABLISHED FOR KANAWHA COUNTY, PURSUANT TO WEST VIRGINIA CODE 21-5A, ET, SEQ. (PREVAILING WAGE RATES APPLY TO THIS PROJECT)</p>						

SEE REVERSE SIDE FOR TERMS AND CONDITIONS

SIGNATURE	TELEPHONE	DATE
TITLE	FEIN	ADDRESS CHANGES TO BE NOTED ABOVE

WHEN RESPONDING TO RFQ, INSERT NAME AND ADDRESS IN SPACE ABOVE LABELED 'VENDOR'



State of West Virginia
 Department of Administration
 Purchasing Division
 2019 Washington Street East
 Post Office Box 50130
 Charleston, WV 25305-0130

Request for Quotation

RFQ NUMBER:
GSD106457

PAGE:
4

ADDRESS CORRESPONDENCE TO ATTENTION OF:
**KRISTA FERRELL
 304-558-2596**

VENDOR

*709040719 304-766-6277
**ELECTRONIC SPECIALTY COMPANY
 PO BOX 400
 1325 DUNBAR AVE
 DUNBAR WV 25064**

SHIP TO

**DEPARTMENT OF ADMINISTRATION
 GENERAL SERVICES DIVISION
 BUILDING 84 CORNERSTONE
 1409 GREENBRIER ST
 CHARLESTON WV
 25311 304-558-2317**

DATE PRINTED: 04/14/2010	TERMS OF SALE	SHIP VIA	F.O.B.	FREIGHT TERMS
BID OPENING DATE: 05/13/2010		BID OPENING TIME 01:30PM		

LINE	QUANTITY	UOP	CAT NO	ITEM NUMBER	UNIT PRICE	AMOUNT
<p>ARBITRATION: ANY REFERENCES MADE TO ARBITRATION OR INTEREST FOR PAYMENTS DUE (EXCEPT FOR ANY INTEREST REQUIRED BY STATE LAW) CONTAINED IN THIS CONTRACT OR IN ANY AMERICAN INSTITUTE OF ARCHITECTS DOCUMENTS PERTAINING TO THIS CONTRACT ARE HEREBY DELETED.</p> <p>WORKERS' COMPENSATION: VENDOR IS REQUIRED TO PROVIDE A CERTIFICATE FROM WORKERS' COMPENSATION IF SUCCESSFUL.</p> <p>ALL OF THE ITEMS CHECKED BELOW WILL BE A REQUIREMENT OF THIS CONTRACT:</p> <p>(XX) INSURANCE: SUCCESSFUL VENDOR SHALL FURNISH PROOF OF COMMERCIAL GENERAL LIABILITY INSURANCE PRIOR TO ISSUANCE OF CONTRACT. UNLESS OTHERWISE SPECIFIED IN THE BID DOCUMENTS, THE MINIMUM AMOUNT OF INSURANCE COVERAGE REQUIRED IS \$1,000,000.00.</p> <p>() BUILDERS RISK INSURANCE: SUCCESSFUL VENDOR SHALL FURNISH PROOF OF BUILDERS RISK - ALL RISK INSURANCE IN AN AMOUNT EQUAL TO 100% OF THE AMOUNT OF THE CONTRACT.</p> <p>(XX) BONDS: FIVE PERCENT (5%) OF THE TOTAL AMOUNT OF THE BID PAYABLE TO THE STATE OF WEST VIRGINIA, SHALL BE SUBMITTED WITH EACH BID AS A BID BOND. THE SUCCESSFUL BIDDER SHALL ALSO FURNISH A PERFORMANCE BOND AND LABOR/MATERIAL BOND FOR 100% OF THE AMOUNT OF THE CONTRACT. BONDS MAY BE PROVIDED IN THE FORM OF A CERTIFIED CHECK, IRREVOCABLE LETTER OF CREDIT, OR BOND FURNISHED BY A SOLVENT SURETY COMPANY AUTHORIZED TO DO BUSINESS IN THE STATE OF WEST VIRGINIA. A LETTER OF CREDIT SUBMITTED IN LIEU OF A BOND WILL ONLY BE ALLOWED FOR PROJECTS UNDER \$100,000. PERSONAL OR BUSINESS CHECKS ARE NOT ACCEPTABLE IN LIEU OF THE 5% BID BOND, PERFORMANCE BOND, OR LABOR AND MATERIAL BOND.</p>						

SEE REVERSE SIDE FOR TERMS AND CONDITIONS

SIGNATURE _____ TELEPHONE _____ DATE _____

TITLE _____ FEIN _____ ADDRESS CHANGES TO BE NOTED ABOVE

WHEN RESPONDING TO RFQ, INSERT NAME AND ADDRESS IN SPACE ABOVE LABELED 'VENDOR'



State of West Virginia
 Department of Administration
 Purchasing Division
 2019 Washington Street East
 Post Office Box 50130
 Charleston, WV 25305-0130

Request for Quotation

RFQ NUMBER
GSD106457

PAGE
5

ADDRESS CORRESPONDENCE TO ATTENTION OF
**KRISTA FERRELL
 304-558-2596**

PROPERTY

*709040719 304-766-6277
**ELECTRONIC SPECIALTY COMPANY
 PO BOX 400
 1325 DUNBAR AVE
 DUNBAR WV 25064**

SHIP TO

**DEPARTMENT OF ADMINISTRATION
 GENERAL SERVICES DIVISION
 BUILDING 84 CORNERSTONE
 1409 GREENBRIER ST
 CHARLESTON WV
 25311 304-558-2317**

DATE PRINTED	TERMS OF SALE	SHIP VIA	F.O.B.	FREIGHT TERMS
04/14/2010				

BID OPENING DATE: **05/13/2010** BID OPENING TIME **01:30PM**

LINE	QUANTITY	UOP	CAT NO	ITEM NUMBER	UNIT PRICE	AMOUNT
<p>() MAINTENANCE BOND: A TWO (2) YEAR MAINTENANCE BOND COVERING THE ROOFING SYSTEM WILL BE A REQUIREMENT OF THE SUCCESSFUL VENDOR.</p> <p>REV. 11/00</p> <p>EXHIBIT 7</p> <p>DOMESTIC ALUMINUM, GLASS & STEEL IN PUBLIC WORKS PROJECTS</p> <p>IN ACCORDANCE WITH WEST VIRGINIA CODE 5-19-1 ET., SEQ., EVERY CONTRACT FOR CONSTRUCTION, RECONSTRUCTION, ALTERATION, REPAIR, IMPROVEMENT OR MAINTENANCE OF PUBLIC WORKS, WHERE THE COST IS MORE THAN \$50,000 AND, IN THE CASE OF STEEL ONLY, WHERE THE COST OF STEEL IS MORE THAN \$50,000 OR WHERE MORE THAN 10,000 POUNDS OF STEEL ARE REQUIRED, THE STATE WILL ACCEPT ONLY ALUMINUM GLASS, OR STEEL PRODUCTS PRODUCED IN THE UNITED STATES. IN ADDITION, ITEMS OF MACHINERY OR EQUIPMENT PURCHASED FOR USE AT THE SITE OF PUBLIC WORKS SHALL BE MADE OF DOMESTIC ALUMINUM, GLASS OR STEEL, UNLESS THE COST OF THE PRODUCT IS LESS THAN \$50,000 OR LESS THAN 10,000 POUNDS OF STEEL ARE USED IN PUBLIC WORKS PROJECTS.</p> <p>FOREIGN MADE ALUMINUM, GLASS OR STEEL PRODUCTS MAY BE ACCEPTED ONLY IF THE COST OF DOMESTIC PRODUCTS IS FOUND TO BE UNREASONABLE. SUCH COST IS UNREASONABLE IF IT IS 20% OR MORE HIGHER THAN THE BID PRICE FOR FOREIGN MADE PRODUCTS. IF THE DOMESTIC ALUMINUM, GLASS OR STEEL PRODUCTS TO BE SUPPLIED OR PRODUCED IN A "SUBSTANTIAL LABOR SURPLUS AREA", AS DEFINED BY THE UNITED STATES DEPARTMENT OF LABOR, FOREIGN PRODUCTS MAY BE SUPPLIED ONLY IF DOMESTIC PRODUCTS ARE 30% OR MORE HIGHER IN</p>						

SEE REVERSE SIDE FOR TERMS AND CONDITIONS

SIGNATURE	TELEPHONE	DATE
TITLE	FEIN	ADDRESS CHANGES TO BE NOTED ABOVE

WHEN RESPONDING TO RFQ, INSERT NAME AND ADDRESS IN SPACE ABOVE LABELED 'VENDOR'



State of West Virginia
 Department of Administration
 Purchasing Division
 2019 Washington Street East
 Post Office Box 50130
 Charleston, WV 25305-0130

Request for Quotation

RFO NUMBER
GSD106457

PAGE
6

ADDRESS CORRESPONDENCE TO ATTENTION OF
**KRISTA FERRELL
 304-558-2596**

VENDOR

*709040719 304-766-6277
**ELECTRONIC SPECIALTY COMPANY
 PO BOX 400
 1325 DUNBAR AVE
 DUNBAR WV 25064**

SHIP TO

**DEPARTMENT OF ADMINISTRATION
 GENERAL SERVICES DIVISION
 BUILDING 84 CORNERSTONE
 1409 GREENBRIER ST
 CHARLESTON WV
 25311 304-558-2317**

DATE PRINTED	TERMS OF SALE	SHIP VIA	F.O.B.	FREIGHT TERMS
04/14/2010				

BID OPENING DATE: **05/13/2010** BID OPENING TIME **01:30PM**

LINE	QUANTITY	UOP	CAT NO	ITEM NUMBER	UNIT PRICE	AMOUNT
<p>PRICE THAN THE FOREIGN MADE PRODUCTS.</p> <p>IF, PRIOR TO THE AWARD OF A CONTRACT UNDER THE ABOVE PROVISIONS, THE SPENDING OFFICER OF THE SPENDING UNIT DETERMINES THAT THERE EXISTS A BID FOR LIKE FOREIGN ALUMINUM, GLASS OR STEEL THAT IS REASONABLE AND LOWER THAN THE LOWEST BID DOMESTIC PRODUCTS, THE SPENDING OFFICE MAY REQUEST, IN WRITING, A REEVALUATION AND REDUCTION IN THE LOWEST BID FOR SUCH DOMESTIC PRODUCTS. ALL VENDORS MUST INDICATE IN THEIR BID IF THEY ARE SUPPLYING FOREIGN ALUMINUM, GLASS OR STEEL.</p> <p>REV. 3/88</p> <p>EXHIBIT 9</p> <p>NOTICE FOR ISSUANCE & ACKNOWLEDGEMENT OF CONSTRUCTION PROJECT ADDENDA</p> <p>THE ARCHITECT/ENGINEER AND/OR AGENCY SHALL BE REQUIRED TO ABIDE BY THE FOLLOWING SCHEDULE IN ISSUING CONSTRUCTION PROJECT ADDENDA FOR STATE AGENCIES:</p> <p>(1) THE ARCHITECT/ENGINEER SHALL PREPARE THE ADDENDUM AND A LIST OF ALL PARTIES THAT HAVE PROCURED DRAWINGS AND SPECIFICATIONS FOR THE PROJECT. THE ADDENDUM AND LIST SHALL BE FORWARDED TO THE BUYER IN THE STATE PURCHASING DIVISION. THE ARCHITECT/ENGINEER SHALL ALSO SEND A COPY OF THE ADDENDUM TO THE STATE AGENCY FOR WHICH THE CONTRACT IS ISSUED.</p> <p>(2) THE BUYER SHALL SEND THE ADDENDUM TO ALL INTERESTED PARTIES AND, IF NECESSARY, EXTEND THE BID OPENING DATE. ANY ADDENDUM SHOULD BE RECEIVED BY THE BUYER WITHIN FOURTEEN (14) DAYS PRIOR TO THE BID</p>						

SEE REVERSE SIDE FOR TERMS AND CONDITIONS

SIGNATURE	TELEPHONE	DATE
TITLE	FEIN	ADDRESS CHANGES TO BE NOTED ABOVE

WHEN RESPONDING TO RFQ, INSERT NAME AND ADDRESS IN SPACE ABOVE LABELED 'VENDOR'



State of West Virginia
 Department of Administration
 Purchasing Division
 2019 Washington Street East
 Post Office Box 50130
 Charleston, WV 25305-0130

**Request for
 Quotation**

RFQ NUMBER
GSD106457

PAGE
7

ADDRESS-CORRESPONDENCE TO ATTENTION OF
KRISTA FERRELL 304-558-2596

***709040719 304-766-6277**
ELECTRONIC SPECIALTY COMPANY
PO BOX 400
1325 DUNBAR AVE
DUNBAR WV 25064

DEPARTMENT OF ADMINISTRATION
GENERAL SERVICES DIVISION
BUILDING 84 CORNERSTONE
1409 GREENBRIER ST
CHARLESTON WV
25311 304-558-2317

DATE PRINTED	TERMS OF SALE	SHIP VIA	F.O.B.	FREIGHT TERMS		
04/14/2010						
BID OPENING DATE: 05/13/2010		BID OPENING TIME 01:30PM				
LINE	QUANTITY	UOP	CAT. NO.	ITEM NUMBER	UNIT PRICE	AMOUNT
<p>OPENING DATE.</p> <p>(3) ALL ADDENDA SHOULD BE FORMALLY ACKNOWLEDGED BY ALL BIDDERS AND SUBMITTED TO THE STATE PURCHASING DIVISION. THE SAME RULES AND REGULATIONS THAT APPLY TO THE ORIGINAL BIDDING DOCUMENT SHALL ALSO APPLY TO AN ADDENDUM DOCUMENT. THE ONLY EXCEPTION MAY BE FOR AN ADDENDUM THAT IS ISSUED FOR THE SOLE PURPOSE OF CHANGING A BID OPENING TIME AND/OR DATE.</p> <p>REV. 11/96</p> <p>EXHIBIT 10</p> <p>ADDENDUM ACKNOWLEDGEMENT</p> <p>I HEREBY ACKNOWLEDGE RECEIPT OF THE FOLLOWING CHECKED ADDENDUM(S) AND HAVE MADE THE NECESSARY REVISIONS TO MY PROPOSAL, PLANS AND/OR SPECIFICATION, ETC.</p> <p>ADDENDUM NOS.:</p> <p>NO. 1 ...4/16/2010....</p> <p>NO. 2 4/30/2010.....</p> <p>NO. 3 5/6/2010....</p> <p>NO. 4 </p> <p>NO. 5 </p> <p>I UNDERSTAND THAT FAILURE TO CONFIRM THE RECEIPT OF THE ADDENDUM(S) MAY BE CAUSE FOR REJECTION OF THE BIDS.</p>						
SEE REVERSE SIDE FOR TERMS AND CONDITIONS						
SIGNATURE		TELEPHONE		DATE		
TITLE	FEIN	ADDRESS CHANGES TO BE NOTED ABOVE				

WHEN RESPONDING TO RFQ, INSERT NAME AND ADDRESS IN SPACE ABOVE LABELED 'VENDOR'



State of West Virginia
 Department of Administration
 Purchasing Division
 2019 Washington Street East
 Post Office Box 50130
 Charleston, WV 25305-0130

Request for Quotation

RFO NUMBER
GSD106457

PAGE
8

ADDRESS CORRESPONDENCE TO ATTENTION OF
**KRISTA FERRELL
 304-558-2596**

VENDOR

*709040719 304-766-6277
**ELECTRONIC SPECIALTY COMPANY
 PO BOX 400
 1325 DUNBAR AVE
 DUNBAR WV 25064**

SHIP TO

**DEPARTMENT OF ADMINISTRATION
 GENERAL SERVICES DIVISION
 BUILDING 84 CORNERSTONE
 1409 GREENBRIER ST
 CHARLESTON WV
 25311 304-558-2317**

DATE PRINTED 04/14/2010	TERMS OF SALE	SHIP VIA	F.O.B.	FREIGHT TERMS
-----------------------------------	---------------	----------	--------	---------------

BID OPENING DATE: **05/13/2010** BID OPENING TIME **01:30PM**

LINE	QUANTITY	UOP	CAT NO	ITEM NUMBER	UNIT PRICE	AMOUNT
<p>VENDOR MUST CLEARLY UNDERSTAND THAT ANY VERBAL REPRESENTATION MADE OR ASSUMED TO BE MADE DURING ANY ORAL DISCUSSION HELD BETWEEN VENDOR'S REPRESENTATIVES AND ANY STATE PERSONNEL IS NOT BINDING. ONLY THE INFORMATION ISSUED IN WRITING AND ADDED TO THE SPECIFICATIONS BY AN OFFICIAL ADDENDUM IS BINDING.</p> <p><i>[Signature]</i> SIGNATURE Electronic Specialty CompanyCOMPANY 5/12/2010DATE</p> <p>REV. 11/96</p> <p style="text-align: center;">CONTRACTORS LICENSE</p> <p>WEST VIRGINIA STATE CODE 21-11-2 REQUIRES THAT ALL PERSONS DESIRING TO PERFORM CONTRACTING WORK IN THIS STATE MUST BE LICENSED. THE WEST VIRGINIA CONTRACTORS LICENSING BOARD IS EMPOWERED TO ISSUE THE CONTRACTORS LICENSE. APPLICATIONS FOR A CONTRACTORS LICENSE MAY BE MADE BY CONTACTING THE WEST VIRGINIA DIVISION OF LABOR CAPITOL COMPLEX, BUILDING 3, ROOM 319, CHARLESTON, WV 25305. TELEPHONE: (304) 558-7890.</p> <p>WEST VIRGINIA STATE CODE 21-11-11 REQUIRES ANY PROSPECTIVE BIDDER TO INCLUDE THE CONTRACTORS LICENSE NUMBER ON THEIR BID.</p> <p>BIDDER TO COMPLETE: CONTRACTORS NAME: Electronic Specialty Company</p>						

SEE REVERSE SIDE FOR TERMS AND CONDITIONS

SIGNATURE	TELEPHONE	DATE
-----------	-----------	------

TITLE	FEIN	ADDRESS CHANGES TO BE NOTED ABOVE
-------	------	-----------------------------------

WHEN RESPONDING TO RFQ, INSERT NAME AND ADDRESS IN SPACE ABOVE LABELED 'VENDOR'



State of West Virginia
 Department of Administration
 Purchasing Division
 2019 Washington Street East
 Post Office Box 50130
 Charleston, WV 25305-0130

Request for Quotation

RFQ NUMBER
GSD106457

PAGE
9

ADDRESS CORRESPONDENCE TO ATTENTION OF:
**KRISTA FERRELL
 304-558-2596**

***709040719 304-766-6277**
ELECTRONIC SPECIALTY COMPANY
PO BOX 400
1325 DUNBAR AVE
DUNBAR WV 25064

DEPARTMENT OF ADMINISTRATION
GENERAL SERVICES DIVISION
BUILDING 84 CORNERSTONE
1409 GREENBRIER ST
CHARLESTON WV
25311 304-558-2317

DATE PRINTED	TERMS OF SALE	SHIP VIA	F.O.B.	FREIGHT TERMS
04/14/2010				

BID OPENING DATE: **05/13/2010** BID OPENING TIME **01:30PM**

LINE	QUANTITY	UOP	CAT NO	ITEM NUMBER	UNIT PRICE	AMOUNT
<p>CONTRACTORS LICENSE NO.: WV 010229</p> <p>THE SUCCESSFUL BIDDER WILL BE REQUIRED TO FURNISH A COPY OF THEIR CONTRACTORS LICENSE PRIOR TO ISSUANCE OF A PURCHASE ORDER/CONTRACT</p> <p>APPLICABLE LAW</p> <p>THE WEST VIRGINIA STATE CODE, PURCHASING DIVISION RULES AND REGULATIONS, AND THE INFORMATION PROVIDED IN THE "REQUEST FOR QUOTATION" ISSUED BY THE PURCHASING DIVISION IS THE SOLE AUTHORITY GOVERNING THIS PROCUREMENT.</p> <p>ANY INFORMATION PROVIDED IN SPECIFICATION MANUALS, OR ANY OTHER SOURCE, VERBAL OR WRITTEN, WHICH CONTRADICTS OR ALTERS THE INFORMATION PROVIDED FROM THE SOURCES AS DESCRIBED IN THE ABOVE PARAGRAPH IS VOID AND OF NO EFFECT.</p> <p>BANKRUPTCY: IN THE EVENT THE VENDOR/CONTRACTOR FILES FOR BANKRUPTCY PROTECTION, THE STATE MAY DEEM THE CONTRACT NULL AND VOID, AND TERMINATE SUCH CONTRACT WITHOUT FURTHER ORDER.</p> <p>REV. 5/2009</p> <p>NOTICE</p> <p>A SIGNED BID MUST BE SUBMITTED TO:</p> <p>DEPARTMENT OF ADMINISTRATION PURCHASING DIVISION BUILDING 15</p>						

SEE REVERSE SIDE FOR TERMS AND CONDITIONS

SIGNATURE _____ TELEPHONE _____ DATE _____

TITLE _____ FEIN _____ ADDRESS CHANGES TO BE NOTED ABOVE

WHEN RESPONDING TO RFQ, INSERT NAME AND ADDRESS IN SPACE ABOVE LABELED 'VENDOR'



State of West Virginia
 Department of Administration
 Purchasing Division
 2019 Washington Street East
 Post Office Box 50130
 Charleston, WV 25305-0130

**Request for
 Quotation**

RFQ NUMBER
GSD106457

PAGE
10

ADDRESS CORRESPONDENCE TO ATTENTION OF
**KRISTA FERRELL
 304-558-2596**

***709040719 304-766-6277**
ELECTRONIC SPECIALTY COMPANY
PO BOX 400
1325 DUNBAR AVE
DUNBAR WV 25064

DEPARTMENT OF ADMINISTRATION
GENERAL SERVICES DIVISION
BUILDING 84 CORNERSTONE
1409 GREENBRIER ST
CHARLESTON WV
25311 304-558-2317

DATE PRINTED	TERMS OF SALE	SHIP VIA	F.O.B.	FREIGHT TERMS
04/14/2010				

BID OPENING DATE: **05/13/2010** BID OPENING TIME **01:30PM**

LINE	QUANTITY	UOP	CAT NO.	ITEM NUMBER	UNIT PRICE	AMOUNT
				2019 WASHINGTON STREET, EAST CHARLESTON, WV 25305-0130		
				THE BID SHOULD CONTAIN THIS INFORMATION ON THE FACE OF THE ENVELOPE OR THE BID MAY NOT BE CONSIDERED:		
				SEALED BID		
				BUYER: KRISTA FERRELL-FILE 21		
				REQ. NO.: GSD106457		
				BID OPENING DATE: 05/13/2009		
				BID OPENING TIME: 1:30 PM		
				PLEASE PROVIDE A FAX NUMBER IN CASE IT IS NECESSARY TO CONTACT YOU REGARDING YOUR BID:		
				304-766-6270		
				PLEASE PRINT OR TYPE NAME OF PERSON TO CONTACT CONCERNING THIS QUOTE:		
				Tom Juzwik		
				***** THIS IS THE END OF RFQ GSD106457 ***** TOTAL:		\$19,994.00

SEE REVERSE SIDE FOR TERMS AND CONDITIONS

SIGNATURE *Tom Juzwik* TELEPHONE DATE

TITLE FEIN ADDRESS CHANGES TO BE NOTED ABOVE

WHEN RESPONDING TO RFQ, INSERT NAME AND ADDRESS IN SPACE ABOVE LABELED 'VENDOR'

Vendor Bid Form

Provide and install integrated security system, as defined herein, for Building #84, Cornerstone Building, 1409 Greenbrier Street, Charleston, WV

Bid: All labor, materials, and associated costs to perform work as described herein.

Your bid for the work as described herein is: \$ 19,994.00

Contractor Name	<u>Electronic Specialty Company</u>
Contractor Address	<u>1325 Dunbar Avenue</u>
	<u>P.O. Box 400, Dunbar, WV 25064</u>
Contractor Contact Name	<u>Tom Juzwik</u>
Contractor Phone Number	<u>304-766-6277</u>
Contractor Fax Number	<u>304-766-6270</u>
Contractor Email Address	<u>tom@electronicspecialty.com</u>

Solely for the purpose of potential change orders, please include the following unit prices (these unit prices are NOT factored into the base, lump-sum bid, but will only be used as the basis for change orders, if they occur):

Card Reader (Exterior)	\$ <u>375</u> .00
Card Reader (Interior)	\$ <u>375</u> .00
Magnetic Door Lock	\$ <u>400</u> .00
Voice/Video Communications Station	\$ <u>1,250</u> .00

Unit price bids are not to include the cost of installation. Instead, bidders should submit their hourly rate for any additional work requested and approved by formal change order:

Hourly Rate \$ 68 .00

Negotiated change orders will use the bid unit price for materials and labor rates as the basis from which to formulate the change order request. The successful bidder will be allowed to also include associated costs in the change order request.

**RFQ#: GSD106457
Equipment List**

Please complete the below information concerning the brand(s) of equipment being bid in relation to this project. If bidding "equal" products, please attach manufacturer's literature (in the form of technical specification cut sheets) documenting the adherence to the mandatory requirements stated in the specifications. When applicable, please attach documentation of integration capability with Software Facility Commander WNX Version 7.0.

Equipment	Manufacturer	Model	Literature Attached
Access Card Readers (interior)	GE Security	T520-SW	Yes
Access Card Reader (exterior)	GE Security	T520-SW	Yes
Magnetic Locking Devices	Securiton	M62-R	Yes
ADA Compliant Paddle Button	BEA Inc.	10-P852	Yes
ADA Compliant Automatic Door Opener	DORVA	ED-700	Yes
Mechanical Combination Locks	Securiton	SABL-200-XXX	Yes
GE Ultraview Traditional Box Interior Fixed Cameras (Or Equal)	GE Security	UNC-EVRON-HR	Yes
Video and Voice Communications Stations	Aiphone	GH Series	Yes

Overview

GE Transition™ Series multi-technology access readers feature simultaneous compatibility with multi-vendor credential technologies—GE and HID® 125 kHz Proximity, HID Corporate 1000® Proximity, 13.56 MHz contactless smart card technologies for MIFARE® Card Serial Number (ISO 14443A), MIFARE/DESFire Card Serial Number, and Vicinity Card Serial Number (ISO 15693), including HID iCLASS® Card Serial Number—all in one reader. With this remarkable technology combination, security administrators can now deploy the Transition readers into existing or new facilities or systems—continuing to serve existing card-carrying users while migrating to the latest in security and smart card technology advancements.

Supported Card Technologies:

- GE ProxLite™, ISO ProxLite, and ProxLite key fobs and tags
- HID 125 kHz ProxCard® II, ISOProx® II, ProxKey® II, ProxCard® and Corporate 1000 (custom formats)
- MIFARE ISO 14443A Card Serial Number (CSN)
- MIFARE/DESFire CSN
- Vicinity ISO 15693 CSN
- HID iCLASS CSN
- Optional GSA approved PIV support

No matter which credential technology an organization currently employs, Transition readers allow continued use of existing systems and features—but more importantly, they also offer the ability to transition to new and more secure smart card technology. Transition readers offer security system administrators an economical solution to migrate to this new technology and better secure their businesses, all on their own timelines and budgets.

Transition readers also bring value to multi-tenant applications by allowing occupants to use the same cards for access to buildings and common areas, as well as for general use in their interior spaces.

Standard Features

- Configuration card (supplied) sets the Transition readers to two-state or four-state supervised F/2F mode, or to Wiegand data output (T-5xxSW versions only)
- Simultaneously supports GE and HID Corporation (including Corporate 1000) Proximity, MIFARE CSN (ISO 14443A), MIFARE/DESFire CSN, and Vicinity CSN (ISO 15693) credentials, including HID iCLASS CSN
- Accepts 6-16 VDC power input
- Allows easy migration from Proximity to MIFARE and Vicinity smart card technologies
- Offers high-reliability, consistent read-range performance and low power consumption
- Installs on both metal and non-metal surfaces
- Provides tri-color LEDs and beep indication for status, alarm and tamper conditions
- Internal tamper alarm alerts security personnel if the reader is breached

Award-Winning Multi-Technology Access Readers

Transition Series

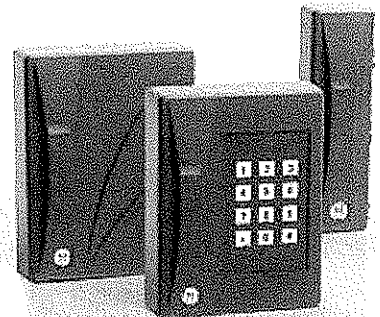
Multi-Technology Access Readers

Now includes a full line of PIV compliant readers



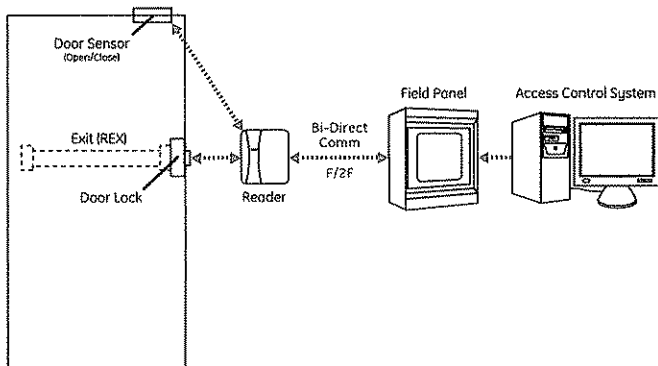
ELECTRONIC SPECIALTY CO.

1325 Dunbar Ave. P.O. Box 400
DUNBAR, WEST VIRGINIA 25064
(304) 766-6277



Intelligent Supervision

GE's "SW" series of Transition readers provides superior value when performance-matched with select GE access control platforms. Only GE offers intelligent supervision (F/2F Supervised mode) that continuously monitors communication between the access control panel, the reader at the door, and door contact and Request-to-Exit (REX) equipment. The unique four-state supervision of the Transition readers monitors and reports cut and short-circuit lines. There's also an internal tamper-alarm mechanism, so security staff are immediately notified if a reader is tampered with, a door is breached or a cable is cut or shorted. Tri-color LED and audible alerts indicate status, alarm and perimeter-tampering conditions—giving you more security than is possible with conventional Wiegand-based installations.



Versatile Security System Compatibility

GE's "W" series multi-technology Wiegand-output models (T-500W/T-520W/T-525W) work with all access control systems that use Wiegand-based data communications between 26 and 176 bits. This includes compatibility with GE's M and ACU series access controllers, as well as EST Synergy-enabled systems.

Optimizing Any Environment

With an optimization technology that adjusts to a wide range of installation environments, Transition readers are adaptable to just about any application. The reader's design accommodates both metal and non-metal environments, and comes in a variety of wall and doorframe models to ensure card-holders experience consistent read-range performance for all types of installations and climates.

Versatile, rugged and backed for life

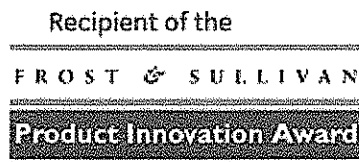
Transition readers are available with or without keypads, in a compact housing that comes in light gray, charcoal or black. Durable UV-resistant material inhibits discoloration in all types of indoor and outdoor conditions, including direct sunlight. The readers also feature advanced electronics and circuitry, and are sealed for protection against inclement weather. Combine all this protection with a lifetime warranty, and any organization can confidently expect years of exemplary reader performance.

While the readers include powerful electronics for superior read-range performance with any technology, they also meet 6-16 VDC requirements and feature low-level power consumption. With their rugged design and impressive versatility, you can count on GE readers for years of consistent and reliable access-card performance.

Award-Winning Innovation

GE was awarded the Frost & Sullivan* Award for Product Innovation for the Transition Series readers and was recognized as the first company to introduce this unique solution to the marketplace. The award recognizes products with unique or revolutionary technology that offers significant added value for customers.

**Frost & Sullivan was founded in 1961 with a specific mission: to publish world-class marketing consulting information and intelligence on emerging high technology and industrial markets. Now well into its fourth decade, Frost and Sullivan has won a worldwide reputation for publishing high-quality growth consulting and training reports in more than 20 major industries.*



Specifications

Color Options

- Gray, charcoal, or black (T-5XXW and T-5XXSW versions)
- Black only (T-5XX-PIV)

Agency Approvals

- FCC Part 15
- CE mark
- UL 294
- GSA Approved for FIPS-201

Physical Dimensions

- Model T-500SW/W and W/PIV: 5.85 in x 1.75 in x 1.16 in (148.6 mm x 44.5 mm x 29.5 mm)
- Model T-520SW/W and T-525SW/W and W/PIV: 5.85 in x 4.5 in x 1.24 in (148.6 mm x 114.3 mm x 31.7 mm)

Read Range

	T-500SW/W	T-500W-PIV	T-520W-PIV T-525W-PIV	T-520SW/W T-525SW/W
GE Proximity	up to 3.5 in (8.89 cm)		up to 5 in (15.24 cm)	
HID Proximity & Corporate 1000	up to 3.5 in (8.89 cm)		up to 5 in (15.24 cm)	
MIFARE & MIFARE/DESFire	up to 1 in (2.54 cm); Ultralight cards not supported	N/A	N/A	up to 1 in (2.54 cm); Ultralight cards not supported
Vicinity iCLASS	up to 3.5 in (8.89 cm)			up to 5 in (15.24 cm)
GSA PIV Data Model	N/A	up to 1 in (2.54 cm)		N/A

Distances may vary depending on environment.

Operating Temperature Range

- -13 to 149 °F (-25 to 65 °C)

Relative Humidity

- 0% to 95% (non-condensing)

Minimum Wiring

- GE F/2F systems: 4 conductors (minimum)
- Wiegand-based systems: 5 conductors (minimum)

Cabling Distance

- GE F/2F systems: up to 3,000 ft. (914 m) @ 12 VDC
- Wiegand-based systems: up to 500 ft. (152 m) @ 12 VDC

GE System Compatibility

Access Control Systems:

- Secure Perfect with microcontroller version 5.0.02 and later
- Picture Perfect with microcontroller version 1.72 and later
- Topaz, Sapphire Pro and Diamond II with ACU firmware version 5.76 and later
- Facility Commander Wnx version 7.0

For detailed system compliance specifications, refer to the reader installation guide

Control Panels and Reader Interfaces:

- M5 PX and M5 PXN: 2RP, 2SRP, 8RP, and WIU-2/4
- M2000 PX and M2000 PXN: Directly wired and WIU-2/4
- ACURT, ACURS, ACUXL, RREx and IKE
- Micro/Reader Junction Box, Bioscrypt V-Flex
- Universal Wedge, and Fiber Options F/2F transceiver/receivers

Credential Technologies

- GE Proximity (125 kHz): ProxLite, ISO ProxLite, and ProxLite key fobs and tags (*Note: Proximity Perfect cards are not supported*)
- HID Corporation Proximity (125 kHz): ProxCard II, ISOProx II, ProxKey II, ProxCard and all Corporate 1000 (custom formats)
- HID Corporation iCLASS CSN (13.56 MHz): iCLASS cards, key fobs, and tags
- MIFARE CSN (ISO 14443A): MIFARE Standard, DESFire CSN, key fobs and tags
- Vicinity CSN (ISO 15693): Infineon Technologies My-D 2K-S, 2K-P, 10K-S, 10K-P, SLI-2, key fobs and tags
- US Government PIV Data Model, support on PIV models only

Feature and Format Specifications

	Transition T-5xxW	Readers T- 5xxW-PIV	Readers T-5xxSW
Supported Credential Technologies			
Proximity Cards			
GE Proximity	•	•	•
HID Proximity	•	•	•
HID Proximity Corp. 1000	•	•	•
Smart Cards			
Mifare (ISO 14443A) Card Serial Number (CSN)	•		•
Mifare/DESFire CSN	•		•
Vicinity (ISO 15693) CSN	•		•
HID iCLASS CSN	•		•
GSA PIV Data Model		•	
Reader Communication			
Wiegand	•	•	•
Supervised F/2F (GE CASI systems only)			•
> Bi-directional Communication			•
> Alarm Detection / Reporting			•
> Automatic Offline (active alarm condition)			•
> Cut and Short-circuit Line Detection			•
External Door Monitoring/Reporting			
Request to Exit Status			•
Door Sensor Status			•
ISO Credential Compliance			
Mifare (ISO 14443A)	•	•	•
Vicinity (ISO 15693)	•		•
Programming Card Configurations (Field Programmable)			
2- / 4-State F/2F Supervision			•
Unsupervised F/2F Supervision			•
40-bit Wiegand (Fixed)	•		•
55-bit Wiegand (Fixed)	•		•
64-bit Wiegand (Fixed)	•		•
Beeper On/Off	•		•

GE Security

North America
T 561-998-6100
T 888-GE-SECURITY
888-(437-3287)
F 561-998-6224
E rs-bctinfo@ge.com

Asia
T 852-2907-8108
F 852-2142-5063

Australia
T 61-3-9259-4700
F 61-3-9259-4799

Europe
T 32-2-725-11-20
F 32-2-721-40-47

Latin America
T 305-593-4301
F 305-593-4300

www.gesecurity.com

Specifications subject to change without notice.

© 2008 General Electric Company
All Rights Reserved

HID, ProxCard, ISOProx, ProxKey, ProxCard, Corporate
1000 and iClass are registered trademarks of HID Global
Corporation. Mifare is a registered trademark of NXP B.V.

Ordering Information

For GE's CASI and Wiegand-based access control systems:

Part Number	Description
430209001	T-500SW mullion, gray
430209002	T-500SW mullion, charcoal
430209003	T-500SW mullion, black
430210001	T-520SW 1-gang, gray
430210002	T-520SW 1-gang, charcoal
430210003	T-520SW 1-gang, black
430211001	T-525SW 1-gang, gray with 12-key pad
430211002	T-525SW 1-gang, charcoal with 12-key pad
430211003	T-525SW 1-gang, black with 12-key pad
521209001	T-500SW mullion, gray with M/RJ box
521209002	T-500SW mullion, charcoal with M/RJ box
521209003	T-500SW mullion, black with M/RJ box
521210001	T-520SW 1-gang, gray with M/RJ box
521210002	T-520SW 1-gang, charcoal with M/RJ box
521210003	T-520SW 1-gang, black with M/RJ box
521211001	T-525SW 1-gang, gray with 12-key pad and M/RJ box
521211002	T-525SW 1-gang, charcoal with 12-key pad and M/RJ box
521211003	T-525SW 1-gang, black with 12-key pad and M/RJ box

For Wiegand-based access control systems only:

Part Number	Description
430209004	T-500W mullion, gray
430209005	T-500W mullion, charcoal
430209006	T-500W mullion, black
430210004	T-520W 1-gang, gray
430210005	T-520W 1-gang, charcoal
430210006	T-520W 1-gang, black
430211004	T-525W 1-gang, gray with 12-key pad
430211005	T-525W 1-gang, charcoal with 12-key pad
430211006	T-525W 1-gang, black with 12-key pad
385001001	Installation wrench (required for all reader models)

For FIPS 201 PIV Data Model readers, Wiegand-based access control systems only:

Part Number	Description
430212006	T-500W-PIV mullion, black
430213006	T-520W-PIV 1-gang, black
430214006	T-525W-PIV 1-gang, black with 12-key pad

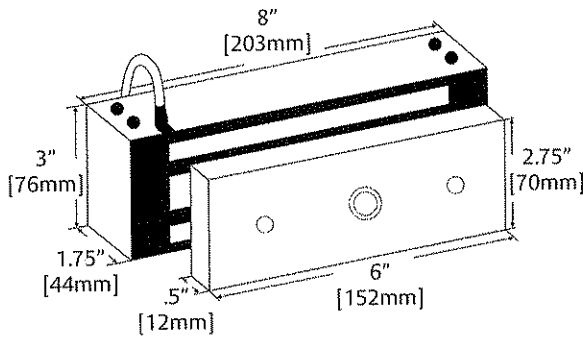
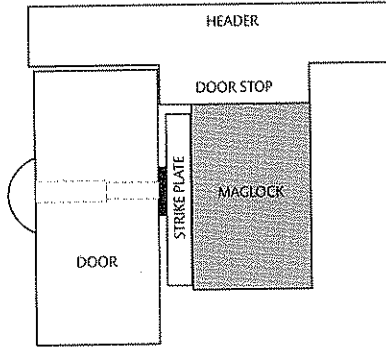
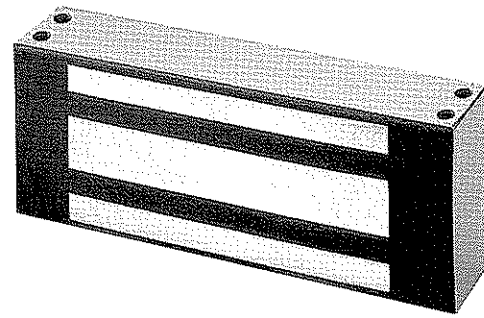


imagination at work

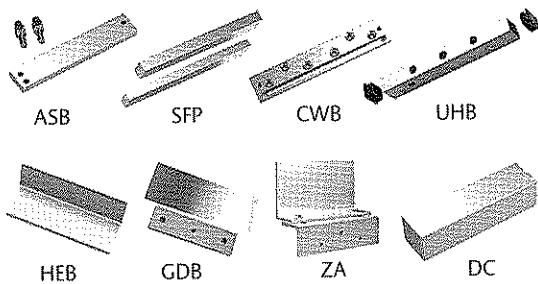
M62 Series

1200 lbs. Holding Force Magnalock®

1200 lbs. holding force Magnalock with automatic dual voltage. Recommended for exterior and perimeter doors through which criminals could gain entrance to cause substantial economic loss.



The M62 requires 2.5 inches of flat mounting space



Optional M62 Brackets & Accessories

Prefix	Description
ASB	Aluminum Shim Bracket
SFP	Stop Filler Plate
CWB	Concrete Wood Bracket
UHB	Universal Header Bracket
HEB	Header Extension Bracket
GDB	Glass Door Bracket
ZA	Adjustable Z-Bracket Kit
DC	Dress Cover

Features & Benefits

- Patented instant release circuit - no residual magnetism
- Fully sealed electronics - tamper proof and weatherproof
- Mounted using steel machine screws into blind finishing nuts
- Architectural brushed stainless steel finish (US32D/630)
- All ferrous metal surfaces plated to MIL specification
- Hardware accessories available to configure any opening type include mounting brackets, housings and dress covers
- Ten feet [3.05m] of jacketed, stranded conductor
- Automatic dual voltage - no field adjustment required
- Lock options include BondSTAT magnetic bond sensor, integrated door position switch, conduit fitting, double and face mount models
- Universal threaded conduit fitting is 1/2" female - 3/4" male
- Split Strike Plates and Offset Strike Plates available (p. 9)
- UL Listed

Specification Data

Holding Force: 1200 lbs. [544 Kg.]
 Current Draw and Voltage: 250mA at 12VDC; 150mA at 24VDC
 Operating Temperature: -40 to +140F [-40 to +60C]
 Shipping Weight: 11 lbs.
 Warranty: MagnaCare Lifetime Replacement Warranty

How To Order

Part #	Description
M62	Magnalock Model 62
M62F	M62, Face Mount
M62FG	M62, Face Mount, Conduit
M62FGB	M62, Face Mount, Conduit, Mag Bond Sensor
M62FGBD	M62, Face Mount, Conduit, Mag Bond Sensor, Door Position Switch
M62FGD	M62, Face Mount, Conduit, Door Position Switch
M62FD	M62, Face Mount, Door Position Switch
M62G	M62, Conduit
M62GB	M62, Conduit, Mag Bond Sensor
M62GBD	M62, Conduit, Mag Bond Sensor, Door Position Switch
M62GD	M62, Conduit, Door Position Switch
M62B	M62, Mag Bond Sensor
M62FB	M62, Face Mount, Mag Bond Sensor
M62FBD	M62, Face Mount, Mag Bond Sensor, Door Position Switch
M62BD	M62, Mag Bond Sensor, Door Position Switch
M62D	M62, Door Position Switch

U.S. Patents:
 #4,516,114 and #4,682,801
 NEMA: 4X IEC: IP 66



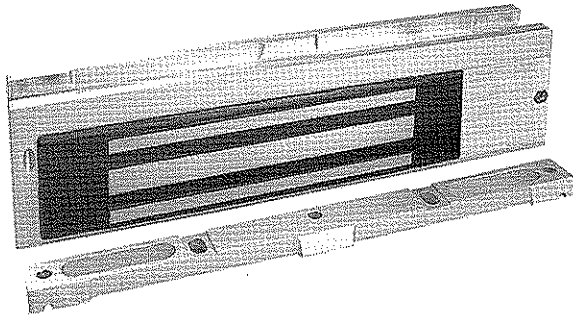
Brackets and Accessories for the M62 begin on page 15

www.securitron.com

M38 Series

600 lbs. Holding Force Maglock®

600 lbs. holding force Maglock with automatic dual voltage. This model offers a built-in wire access chamber and bracket mount design for a unique and simplified method of installation. Recommended for applications where physical assault on the door is not expected, like access controlled interior rooms and secure areas within buildings.



Features & Benefits

- Patented instant release circuit - no residual magnetism
- Surface mounts easily with mounting bracket using a minimum of tools
- Internal wire access chamber
- Mounted using steel machine screws into blind finishing nuts
- Brushed aluminum finish
- All ferrous metal surfaces plated to MIL specification
- Automatic dual voltage - no field adjustment required
- Dress Covers available
- Lock options include Senstat, door position switch, LED indicator and anti-tamper switch
- UL Listed

Specification Data

Holding Force: 600 lbs. [272 Kg.]
 Current Draw and Voltage: 350mA at 12VDC; 170mA at 24VDC
 Operating Temperature: +32 to +110F [0 to +43C]
 Shipping Weight: 8 lbs.
 Warranty: MagnaCare Lifetime Replacement Warranty

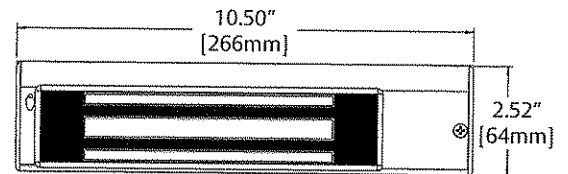
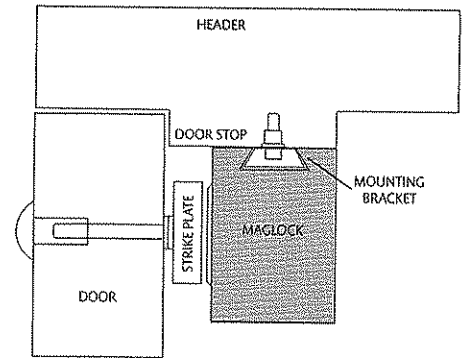
How To Order

Part #	Description
M38	Magnalock Model 38
M38D	M38, Door Position
M38DL	M38, Door Position, LED
M38DLS	M38, Door Position, LED, Senstat
M38DLST	M38, Door Position, LED, Senstat, Tamper
M38DLT	M38, Door Position, LED, Tamper
M38DS	M38, Door Position, Senstat
M38DST	M38, Door Position, Senstat, Tamper
M38DT	M38, Door Position, Tamper
M38L	M38, LED
M38LS	M38, LED, Senstat
M38LT	M38, LED, Tamper
M38S	M38, Senstat
M38ST	M38, Senstat, Tamper
M38T	M38, Tamper

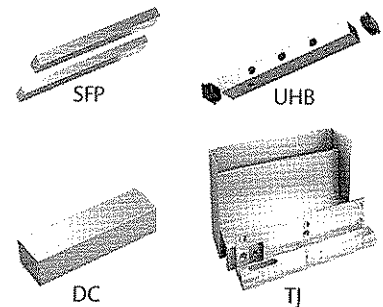
See Page 11
 For More Information
 On M38 Lock Options

Optional M38 Brackets & Accessories

Prefix	Description
SFP	Stop Filler Plate
UHB	Universal Header Bracket
DC	Dress Cover
TJ	Top jamb Kit (inswing)



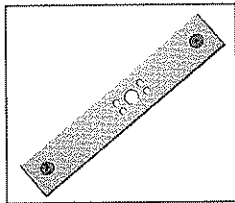
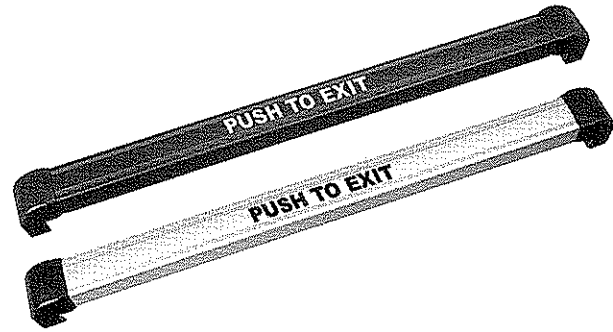
The M38 requires 2.25 inches of flat mounting space



TSB-3

Touch Sense Bar

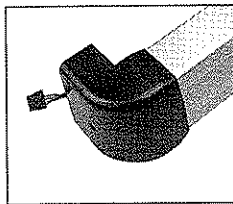
The Touch Sense Bar is for use on magnetically locked, non-fire-rated doors. Touching the bar, even through light gloves or clothing, trips an electronic sensor which releases the lock. For indoor use only, the TSB-3 can be installed on metal, aluminum or wood frame doors of all types. Meets "no special tools or knowledge" code requirements.



TCP covers unwanted mounting holes from previously installed exit bars



TSB-TDM allows through-bolting of TSB on doors > 1-3/4" thick



TSB can be ordered ElectroLynx-ready

Features & Benefits

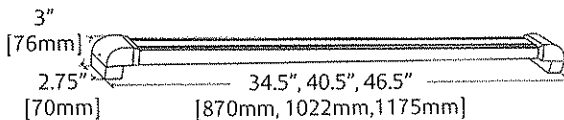
- Three standard lengths: 36", 42" or 48"
- Can be field cut to accommodate non-standard openings up to 48"
- Activates a DPST 2 Amp rated relay when touched (no mechanical movement) which will allow free egress or initiate the delay on an exit delay timer
- Backup push button
- 16 ft. [4.8m] 22AWG 6 conductor cable and armored door cord included
- Operates on either 12 or 24VDC
- Available ElectroLynx™ ready
- UL Listed



Specification Data

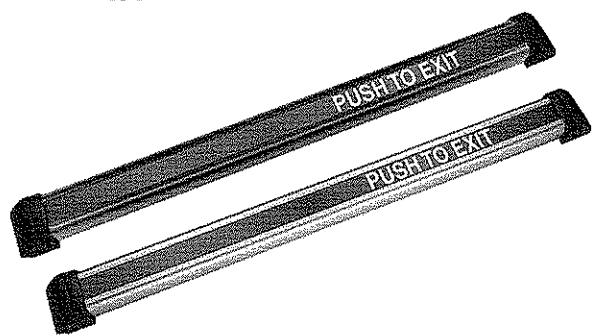
Current Draw: 40mA at rest; 25mA releasing
Voltage: 12 or 24VDC
Operating Temperature: +32 to +110F [0 to +43C]
Shipping Weight: 7 to 9 lbs. depending on length
Warranty: MagnaCare Lifetime Replacement Warranty

How To Order



Part #	Description
TSB-3CL	Touch Sense Bar, Clear 36"
TSB-3CL-42	Touch Sense Bar, Clear 42"
TSB-3CL-48	Touch Sense Bar, Clear 48"
TSB-3BK	Touch Sense Bar, Black 36"
TSB-3BK-42	Touch Sense Bar, Black 42"
TSB-3BK-48	Touch Sense Bar, Black 48"
DTSB-3CL	Dummy TSB, Clear 36"
DTSB-3CL-42	Dummy TSB, Clear 42"
DTSB-3CL-48	Dummy TSB, Clear 48"
DTSB-3BK	Dummy TSB, Black 36"
DTSB-3BK-42	Dummy TSB, Black 42"
DTSB-3BK-48	Dummy TSB, Black 48"
EL-TSB-3CL	ElectroLynx TSB, Clear 36"
EL-TSB-3CL-42	ElectroLynx TSB, Clear 42"
EL-TSB-3CL-48	ElectroLynx TSB, Clear 48"
EL-TSB-3BK	ElectroLynx TSB, Black 36"
EL-TSB-3BK-42	ElectroLynx TSB, Black 42"
EL-TSB-3BK-48	ElectroLynx TSB, Black 48"
TCP-CL	TSB-3 Cover Plates (2), Clear
TCP-BK	TSB-3 Cover Plates (2), Black

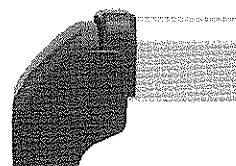
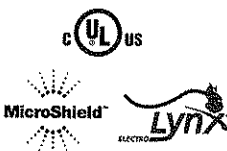
DSB Dual Sense Bar



The Dual Sense Bar (DSB) is for use on magnetically locked, non-fire-rated doors. Specifically designed to address the most current building and life safety codes, the DSB features two independent switch circuits to release the lock. Simply touching the bar or engaging its mechanical movement will allow free egress. For indoor use only, the DSB can be installed on metal, aluminum or wood doors of all types. Meets "no special tools or knowledge" requirements.

Features & Benefits

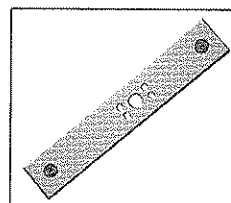
- The most dependable exit device available for magnetically locked openings
- < 1/8" mechanical movement and ultra-reliable touch sense technology working together in a single exit bar
- Touch sensing and redundant movement-activated switches complies with current fire and life safety egress codes
- Uses same mounting pattern as the TSB-3
- Circuit board is immune to electrostatic discharge - switching power supplies, proximity and garment readers and neon signs
- Bounce resistant to false triggering from outside impact
- Three standard lengths: 36", 42" or 48"
- All metal construction will stand up to rugged interior environments
- Like the TSB-3, the DSB allows field cutting to fit non-standard door widths
- DSB options include illuminated "Push To Exit" via internal fiber optic strip and MicroShield™ anti-microbial coating for superior germ resistance
- 16 ft. [4.8m] 22AWG 6 conductor cable and armored door cord included
- Available ElectroLynx™ ready
- Operates on either 12 or 24VDC
- Tested to 27,000 volts electrostatic discharge
- UL Listed



Normal Position



Movement Position



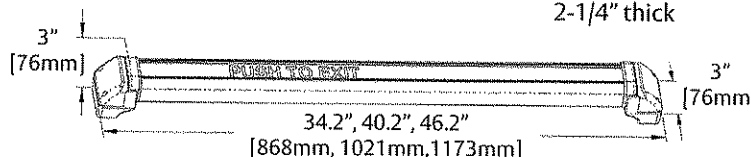
TCP covers unwanted holes from previously installed exit bars, strengthens the mounting area and provides a clean look



DSB-TDM allows through-bolting of DSB on doors 1-3/4" to 2-1/4" thick

Specification Data

Current Draw: Dual Sense Bar Only - 24mA
Dual Sense Bar with Illumination - 44mA
Voltage: 12 or 24VDC
Operating Temperature: +32 to +120F [0 to +49C]
Shipping Weight: 6 to 8 lbs. depending on length
Warranty: MagnaCare Lifetime Replacement Warranty



How To Order - Base Model (DSB Only)

Part #	Description
DSB-CL	Dual Sense Bar, Clear 36"
DSB-CL-42	Dual Sense Bar, Clear 42"
DSB-CL-48	Dual Sense Bar, Clear 48"
DSB-BK	Dual Sense Bar, Black 36"
DSB-BK-42	Dual Sense Bar, Black 42"
DSB-BK-48	Dual Sense Bar, Black 48"

How To Order - Illuminated Sign (I)

Part #	Description
DSB-CLI	Dual Sense Bar, Clear 36", Illuminated Sign
DSB-CLI-42	Dual Sense Bar, Clear 42", Illuminated Sign
DSB-CLI-48	Dual Sense Bar, Clear 48", Illuminated Sign
DSB-BKI	Dual Sense Bar, Black 36", Illuminated Sign
DSB-BKI-42	Dual Sense Bar, Black 42", Illuminated Sign
DSB-BKI-48	Dual Sense Bar, Black 48", Illuminated Sign

How To Order - Anti-microbial (A)

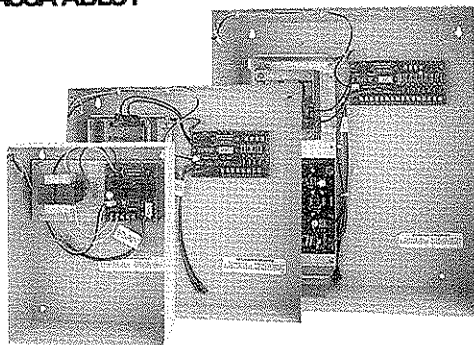
Part #	Description
DSB-CLA	Dual Sense Bar, Clear 36", MicroShield™
DSB-CLA-42	Dual Sense Bar, Clear 42", MicroShield
DSB-CLA-48	Dual Sense Bar, Clear 48", MicroShield
DSB-BKA	Dual Sense Bar, Black 36", MicroShield
DSB-BKA-42	Dual Sense Bar, Black 42", MicroShield
DSB-BKA-48	Dual Sense Bar, Black 48", MicroShield

How To Order - Illuminated/Anti-microbial (I/A)

Part #	Description
DSB-CLIA	Dual Sense Bar, Clear 36", Illuminated, MicroShield™
DSB-CLIA-42	Dual Sense Bar, Clear 42", Illuminated, MicroShield
DSB-CLIA-48	Dual Sense Bar, Clear 48", Illuminated, MicroShield
DSB-BKIA	Dual Sense Bar, Black 36", Illuminated, MicroShield
DSB-BKIA-42	Dual Sense Bar, Black 42", Illuminated, MicroShield
DSB-BKIA-48	Dual Sense Bar, Black 48", Illuminated, MicroShield

NOTE: Order any Dual Sense Bar listed above with ElectroLynx connectors by adding the letters "EL" to the front of the Part#.

Order any Dual Sense Bar listed above as a dummy bar only (no electronics, no releasing function) by adding the letter "D" to the front of the Part#.

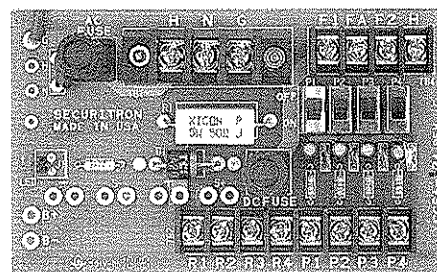


BPS, BPSH Boxed Power Supply

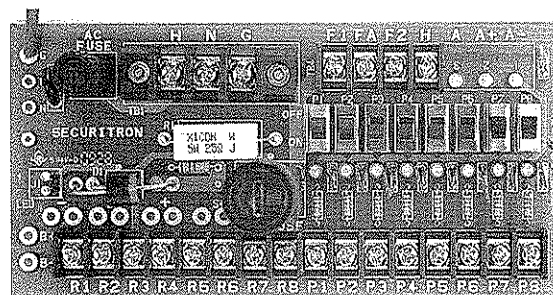
Recommended where an interface with a fire alarm system or battery backup is needed. The BPS linear power supply delivers more current than PSPs, and all BPS models are UL Class 2 listed, allowing for wire runs without the use of conduit from power supply to door.

Features & Benefits

- 1, 4 or 8 polyswitch (PTC) 2A circuit breakers based on model
- LEDs monitor zone status (voltage, no voltage)
- Slide switches connect or disconnect load from power (excludes 1 Amp)
- Sealed lead acid-gel battery charging capability (battery not included)
- Rugged steel enclosure
- Provided with terminals for fire alarm relay connection, allowing release of all devices upon fire alarm activation
- Clean linear power for flawless operation with all sensitive active electronic components
- BPS UL Listed



4 Output Board



8 Output Board

Specification Data

Input Voltage: 120VAC BPS, 220VAC BPSH

Operating Temperature: +32 to +105F [0 to +40C]

Shipping Weight:

BPS-12-1, BPS-24-1: 9 lbs.

BPS-12-3, BPS-24-2: 15 lbs.

BPS-12-45, BPS-24-3: 18 lbs.

BPS-12-6, BPS-24-4: 24 lbs.

BPS-12-9, BPS-24-6: 28 lbs.

BPS-12-15, BPS-24-10: 33 lbs.

Warranty: MagnaCare Lifetime Replacement Warranty

12VDC	Capacity	24VDC	Capacity	Cabinet Size	Outputs
BPS-12-1	1 AMP	BPS-24-1	1 AMP	12" x 9" x 4"	1
BPS-12-3	3 AMP	BPS-24-2	2 AMP	14" x 14" x 4"	4
BPS-12-45	4.5 AMP	BPS-24-3	3 AMP	14" x 14" x 4"	4
BPS-12-6	6 AMP	BPS-24-4	4 AMP	15" x 18" x 6"	8
BPS-12-9	9 AMP	BPS-24-6	6 AMP	15" x 18" x 6"	8
BPS-12-15	15 AMP	BPS-24-10	10 AMP	15" x 18" x 6"	8

How To Order - BPS

Part #	Description
BPS-12-1	Power Supply 12VDC - 1 Amp
BPS-12-3	Power Supply 12VDC - 3 Amp
BPS-12-45	Power Supply 12VDC - 4.5 Amp
BPS-12-6	Power Supply 12VDC - 6 Amp
BPS-12-9	Power Supply 12VDC - 9 Amp
BPS-12-15	Power Supply 12VDC - 15 Amp
BPS-24-1	Power Supply 24VDC - 1 Amp
BPS-24-2	Power Supply 24VDC - 2 Amp
BPS-24-3	Power Supply 24VDC - 3 Amp
BPS-24-4	Power Supply 24VDC - 4 Amp
BPS-24-6	Power Supply 24VDC - 6 Amp
BPS-24-10	Power Supply 24VDC - 10 Amp

Power Supply Batteries Available on page 56

How To Order - BPSH

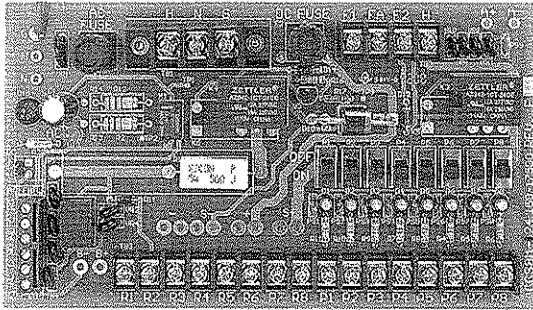
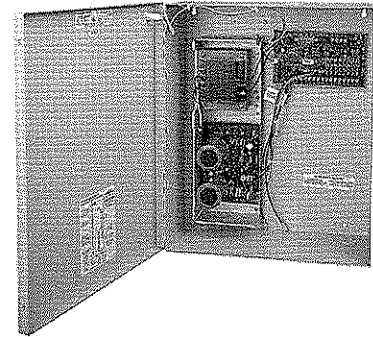
Part #	Description
BPSH-12-1	Power Supply 12VDC - 1 Amp 220VAC
BPSH-12-3	Power Supply 12VDC - 3 Amp 220VAC
BPSH-12-45	Power Supply 12VDC - 4.5 Amp 220VAC
BPSH-12-6	Power Supply 12VDC - 6 Amp 220VAC
BPSH-12-9	Power Supply 12VDC - 9 Amp 220VAC
BPSH-12-15	Power Supply 12VDC - 15 Amp 220VAC
BPSH-24-1	Power Supply 24VDC - 1 Amp 220VAC
BPSH-24-2	Power Supply 24VDC - 2 Amp 220VAC
BPSH-24-3	Power Supply 24VDC - 3 Amp 220VAC
BPSH-24-4	Power Supply 24VDC - 4 Amp 220VAC
BPSH-24-6	Power Supply 24VDC - 6 Amp 220VAC
BPSH-24-10	Power Supply 24VDC - 10 Amp 220VAC



BPSM

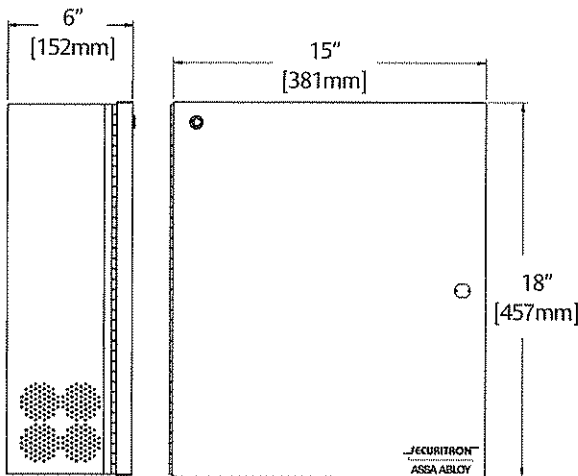
Self Monitoring Power Supply

When interfacing with a fire alarm system where the system's auxiliary relay cannot handle the full current potential of the power supply, or when monitoring power systems for AC failure or DC battery failure, the BPSM linear power supply is the right choice. The power supply status LED indicators and status output terminals combine with BPS features to offer the next stage of protection.



Features & Benefits

- 8 polyswitch (PTC) 2A output breakers
- Slide switches connect or disconnect load from power
- LED indication (AC and DC) showing power supply status
- Emergency low current fire release terminals
- AC status output terminals, SPDT, 3 Amp
- Battery status output terminals, Form "C" SPDT, 3 Amp
- Line voltage and DC fuses
- Sealed lead acid-gel battery charging capability (battery not included)
- During battery operation, if voltage drops below 10.4VDC for 12VDC (20.8VDC for 24VDC) the battery will automatically disconnect to prevent possible damage to the system
- Clean linear power for flawless operation with all sensitive active electronic components
- UL Listed



Specification Data

Input Voltage: 120VAC

Voltage and Capacity:

12VDC - 6A, 9A, 15A

24VDC - 4A, 6A, 10A

Operating Temperature: +32 to +105F [0 to +40C]

Monitoring: 110VAC Status, Battery Status

Shipping Weight:

BPSM-12-6, BPSM-24-4: 24 lbs.

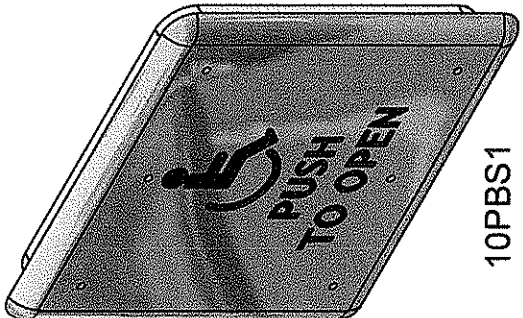
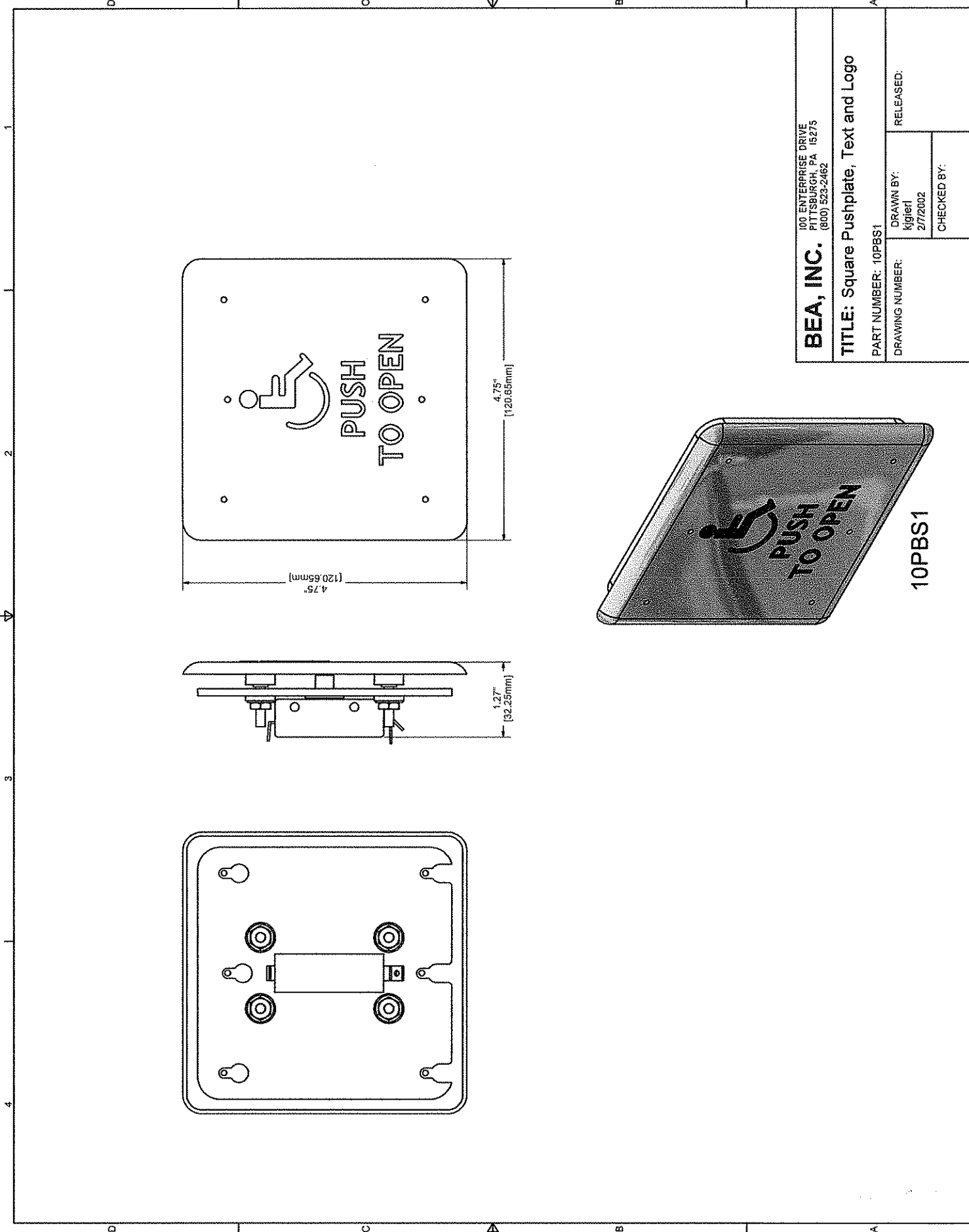
BPSM-12-9, BPSM-24-6: 28 lbs.

BPSM-12-15, BPSM-24-10: 33 lbs.

Warranty: MagnaCare Lifetime Replacement Warranty

How To Order

Part #	Description
BPSM-12-6	Power Supply 12VDC - 6A with Status Monitor
BPSM-12-9	Power Supply 12VDC - 9A with Status Monitor
BPSM-12-15	Power Supply 12VDC - 15A with Status Monitor
BPSM-24-4	Power Supply 24VDC - 4A with Status Monitor
BPSM-24-6	Power Supply 24VDC - 6A with Status Monitor
BPSM-24-10	Power Supply 24VDC - 10A with Status Monitor



BEA, INC.
 100 ENTERPRISE DRIVE
 PITTSBURGH, PA 15275
 (800) 523-2462

TITLE: Square Pushplate, Text and Logo

PART NUMBER: 10PBS1

DRAWN BY: kigierl
 2/7/2002

RELEASED:

CHECKED BY:



OPEN UP NEW HORIZONS
A HALMA COMPANY

433 MHz TRANSMITTERS & RECEIVER

USER'S GUIDE

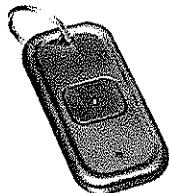
FCC ID#: G9B-10TD433HH4 IC ID#: 4680A-10TD433HH4

DIGITAL TRANSMITTERS AND RECEIVER WITH SEQUENCING FUNCTION

1 Description

The 433MHz Series Transmitters and Receiver are ideal for the wireless activation and/or sequencing of automatic doors. The Transmitters are available in hand-held or pushplate styles and they transmit a unique rolling code each time the transmitter is activated (thus providing a secure door opening signal). The transmitter is powered by either a 3-volt or a standard 9-volt battery and illuminates a Red LED when activated.

Since receivers can be individually programmed, multiple receivers can be programmed differently thus allowing for sequencing in multiple applications. Upon activation (pushplate / transmitter), all receivers will acquire the signal at the same time; however, each receiver will respond according to their programming. Those receivers programmed with NO DELAY will activate immediately upon receiving the transmitter signal. Those receivers programmed with a DELAY will activate at the end of their pre-determined time delay set by the potentiometer. The use of multiple receivers will allow for the uninterrupted pace or hands free operations through a pair of doors upon initial activation.



10TD433HH
ONE BUTTON



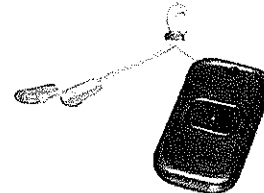
10TD433HH2
TWO BUTTON



10TD433HH3
THREE BUTTON



10TD433HH4
FOUR BUTTON



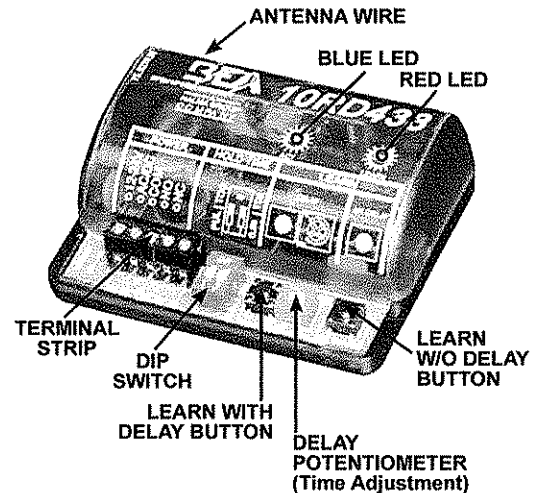
10TD433PB3V
3V w / LEADS



10TD433PB9V
9V w / LEADS

2 Specifications

DESCRIPTION	SPECIFICATION
FREQUENCY	433 MHz
EMITTED RADIO POWER	-28.7 dBm (TX)
POWER CONSUMPTION	3mA (TX) 30mA (RX)
INPUT VOLTAGE	12 to 24 VAC/DC (RX)
CONTACT RATING	1.0 A @ 30 VDC 0.5 A @ 125 VAC 0.3 A @ 60 VDC
OPERATING TEMPERATURE	14°F TO 131°F (-10°C TO 55°C)
MAX No. OF PROGRAMMED UNITS PER RECEIVER	100 TRANSMITTERS
LEDs	Receiver Learn Relay Activation RED BLUE
DIMENSIONS	Transmitter 2 3/4" X 1 3/8" X 9/16" (70mm x 35mm x 14mm) Receiver 2 3/4" x 2 1/8" x 1" (70mm x 55mm x 25mm)
CERTIFICATIONS	FCC, IC, CE



3 Precautions



CAUTION

- ❑ This product IS NOT intended for use with Maglocks / Electric Strikes. Contact BEA, Inc. for further information.
- ❑ Shut off all power going to work area before attempting any wiring procedures.
- ❑ Maintain a clean & safe environment when working in public areas.
- ❑ To remain in compliance with Part 15.231, do not operate transmitter (hold down button) for longer than 5 seconds.
- ❑ Constantly be aware of pedestrian traffic around the area.
- ❑ Always stop pedestrian traffic through the doorway when performing tests that may result in unexpected reactions by the door.
- ❑ ESD: Circuit boards are vulnerable to damage by electrostatic discharge. Before handling ensure you dissipate your body's charge.
- ❑ Always check placement of components before powering up so that moving parts will not catch any wires or cause damage to equipment.
- ❑ Ensure compliance with all applicable safety standards (i.e. ANSI A156.10 / 19) upon completion of installation.
- ❑ DO NOT attempt any internal repair of the components. All repairs and/or component replacements must be performed by BEA, Inc. Unauthorized disassembly or repair:
 1. May jeopardize personal safety and may expose one to the risk of electrical shock.
 2. May adversely affect the safe and reliable performance of the product resulting in a voided warranty.

4 Programming

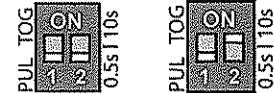
1 DIP SWITCH SETTINGS

#1	DESCRIPTION	FUNCTION
OFF	Pulse Relay	Press the transmitter once and the relay will be active momentarily.
ON	Toggle Relay	Press the transmitter once and the relay output is active indefinitely, press it again and the relay will de-energize indefinitely.

#2	DESCRIPTION	FUNCTION (Pulse Mode Only)
OFF	0.5 sec Hold Time	Relay will remain active 0.5 second after the loss of activation.
ON	10 sec Hold Time	Relay will remain active 10 seconds after the loss of activation.



In Toggle Setting (1-ON), the Hold Time is inactive. Either setting for #2 dip switch will have the same result.



0.5 second Pulse Setting 10 second Pulse Setting

2 HANDHELD CONFIGURATION

- Set dip switches on the receiver to the desired activation cycle (dip switch 1 - Toggle or Pulse and dip switch 2 - 0.5s or 10s hold).
- Press either Learn w/Delay Button or Learn w/No Delay Button on the receiver depending on the activation requirements (If delay learn is selected, adjust potentiometer to counterclockwise limit, 0 second delay). After learn cycle is complete, adjust potentiometer to desired delay time (0-30 sec).
- Depress transmitter button repeatedly until Blue LED on the receiver illuminates (indicating reception of signal from transmitter).
NOTE: Repeat Steps 2-3 to program additional transmitters.
- To test the system, depress transmitter button (Red LED on Transmitter will illuminate) and observe that the Blue LED illuminates on the receiver. This indicates that the relay has been activated.

3 PUSH PLATE CONFIGURATION

- Before beginning, it is easiest to have already prepared the installation of the pushplate.
- Connect the wires from the transmitter to the NO and COM contacts of the pushplates switch.
- Follow Steps 1-4 (Hand-Held Configuration); depress the pushplate to activate the transmitter.
- Attach the transmitter to the inside of the electrical box and complete the installation.

4 TYPICAL VESTIBULE APPLICATION

A OUTSIDE TRANSMITTER (PUSH PLATE)

- Press Learn w/NO DELAY BUTTON on OUTER Receiver then press Transmitter 1.
- Press Learn w/DELAY BUTTON on INNER Receiver then press Transmitter 1.

NOTE: Set Potentiometer to desired Delay Time per Hand Held Configuration Step #2.

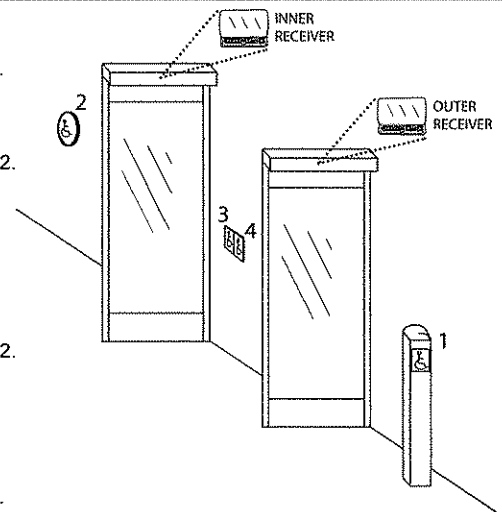
B INSIDE TRANSMITTER (PUSH PLATE)

- Press Learn w/NO DELAY BUTTON on INNER Receiver then press Transmitter 2.
- Press Learn w/DELAY BUTTON on OUTER Receiver then press Transmitter 2.

NOTE: Set Potentiometer to desired Delay Time per Hand Held Configuration Step #2.

C VESTIBULE TRANSMITTERS (Dual Switch Pushplate or Two Separate Pushplates)

- Press Learn w/NO DELAY BUTTON on INNER Receiver then press Transmitter 3.
- Press Learn w/NO DELAY BUTTON on OUTER Receiver then press Transmitter 4.



5 REMOVING TRANSMITTER CODE(S)

SINGLE TRANSMITTER CODE

- Press both DELAY and NO DELAY BUTTONS simultaneously until Red LED flashes once (approx. 1 second).
- Press transmitter button twice within 10 seconds and the transmitter code will be deleted.

ALL TRANSMITTER CODES

- Press and hold both DELAY and NO DELAY BUTTONS simultaneously until Blue LED illuminates then release (approx. 10 seconds).

5 Battery Replacement



CAUTION: THERE IS A RISK OF EXPLOSION IF AN INCORRECT BATTERY TYPE IS USED. DISPOSE OF USED BATTERIES ACCORDING TO THE INSTRUCTIONS.

1	3-VOLT TRANSMITTERS
1.	Remove two screws from back of transmitter.
2.	Separate housing and install a fresh 3-Volt (Type CR2032) battery making sure to observe proper polarity.
3.	Reassemble housing and replace screws.
NOTE: Don't throw used batteries away with the general trash. Discard per your local municipal laws and regulations.	
2	9-VOLT TRANSMITTER
1.	Remove old battery.
2.	Connect a fresh 9-Volt (Type 6LR61) battery making sure to observe proper polarity.
NOTE: Don't throw used batteries away with the general trash. Discard per your local municipal laws and regulations.	

6 FCC Compliance

FCC ID#: G9B-10TD433HH4

IC ID#: 4680A-10TD433HH4

- This Digital Transmitter complies with Part 15 of the FCC rules. Operation is subject to the following two conditions:
 - 1) This device may not cause harmful interference and;
 - 2) This device must accept any interference received including interference that may cause undesired operations.
 - a) This equipment has been tested and found to comply with the limits for a Class B digital device, pursuant to part 15 of the FCC Rules. These limits are designed to provide a reasonable protection against harmful interference in a residential installation. This equipment generates, uses and can radiate radio frequency energy and, if not installed and used in accordance with the instruction, may cause harmful interference to radio communications. However, there is no guarantee that interference will not occur in a particular installation. If this equipment does cause harmful interference to radio or television reception, which can be determined by turning the equipment off and on, the user is encouraged to try to correct the interference by one or more of the following measures:
 - Reorient or relocate the receiving antenna.
 - Increase the separation between the equipment and receiver.
 - Connect the equipment into an outlet on a circuit different from that to which the receiver is connected.
 - Consult the dealer or an experienced radio/ TV technician for help.
- This transmitter operates in the band 40.66 - 40.70 MHz & above 70 MHz and is restricted to periodic transmissions of up to 5 seconds.
- Changes or modifications not expressly approved by BEA, Inc. for compliance could void the user's authority to operate the equipment.

7 Company Contact



OPEN UP NEW HORIZONS

A HALMA COMPANY



CAUTION

Do not leave problems unresolved. If a satisfactory solution cannot be achieved after troubleshooting a problem, please call BEA, Inc. If you must wait for the following workday to call BEA, leave the door inoperable until satisfactory repairs can be made. Never sacrifice the safe operation of the automatic door or gate for an incomplete solution. The following numbers can be called 24 hours a day, 7 days a week.

For more information, visit www.beasensors.com

US and Canada: 1-866-249-7937
Canada: 1-866-836-1863
Northeast: 1-866-836-1863

Southeast: 1-800-407-4545
Midwest: 1-888-308-8843
West: 1-888-419-2564



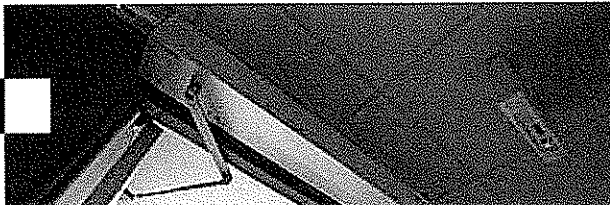
**DORMA
Automatics**

**Low Energy
Operators**



DORMA Automatics
Low Energy Operators

Barrier-free Access
ED700



DORMA ED700 — Smooth, Quiet Operation and Elegant Slimline Design

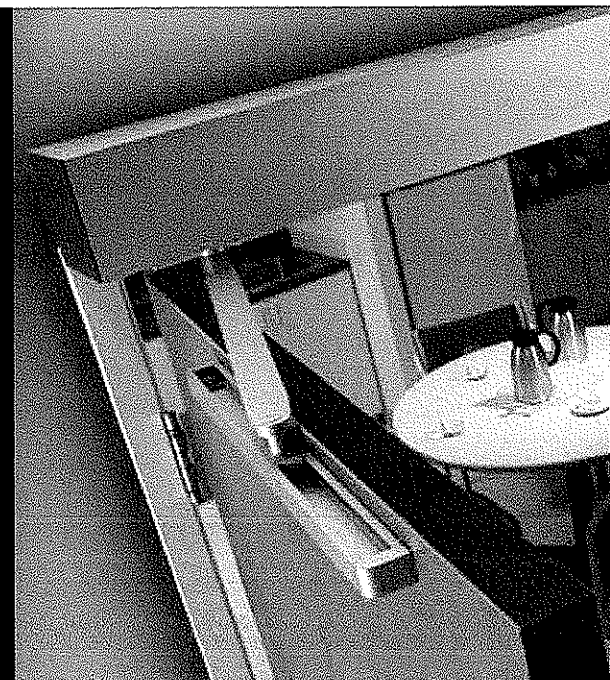
For applications requiring barrier-free access, the DORMA ED700 is the perfect solution. Simple and easy to install, the ED700 provides many features and functions to make existing doors easily accessible.

The DORMA ED700 is custom ordered to match the application. All common applications for outswing and inswing doors — either with push arm or slide track arm for tight side clearance — can be adapted for barrier-free access.

Extruded aluminum covers in custom lengths are available to match aesthetically with the door frame.

The ED700 may be used for door widths up to 48" (1220 mm) and a maximum weight of 200 lb (91 kg).

For best accessibility, the operator can open the door up to an opening angle of 110°.

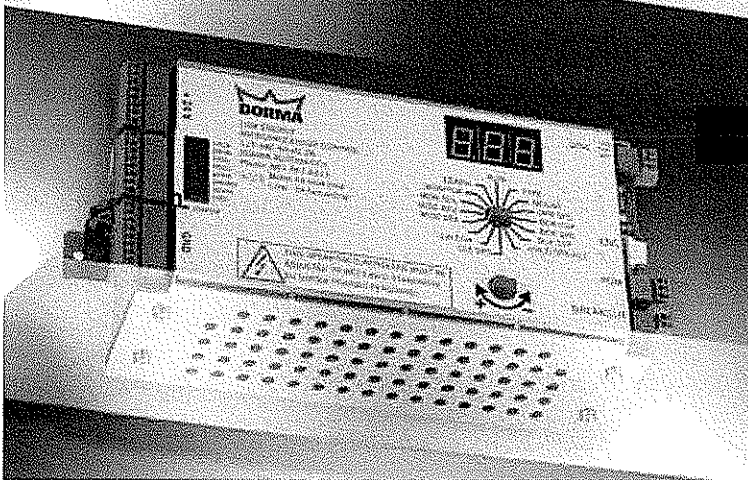
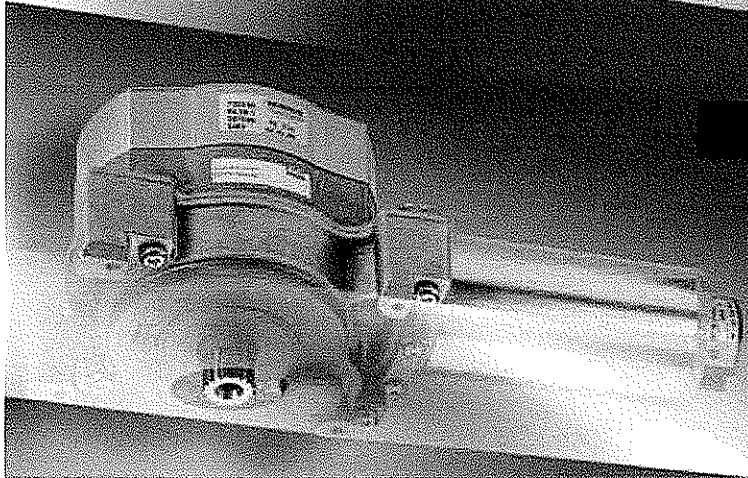


Features

- ▣ Slide track arm available for inswing applications.
- ▣ Full length header available on request.
- ▣ 5.5" W × 5" H Extruded Aluminum Header (140 × 127 mm).
- ▣ For inswing and outswing doors.
- ▣ Scissor-arm for inswing & outswing applications.

Finishes

- ▣ 204-R1 clear anodized.
- ▣ 313-R1 dark bronze anodized.
- ▣ Special finishes available (custom anodized, paint, architectural metal cladding).



Standards

- ETL listed for US and Canada (UL325).
- Full compliance with ANSI A156.19 – American National Standard for Power Assist and Low Energy Power Operated Doors.
- Full compliance with the Americans with Disabilities Act of 1990.
- NFPA 252 90 minute fire rating when used with rated door and hardware.

Features & Functions

Settings and Adjustments

All major adjustments are easily accessible on the control unit allowing correct settings for varying door and pedestrian requirements. Main adjustments are as follows:

- Open speed.
- Time delay (hold open time, 1–30 seconds).
- Close speed.
- Open check speed.
- Open force.

Options for Activation

- Pushbutton (momentary actuation opens door; time-delayed closing).
- Internal Push-&-Go (Slight push of door will initiate powered door opening).
- Card Readers.
- Power Assist.
- Remote Controls.

3-Position Door Control Switch

- OFF (easy manual operation).
- ON (low energy mode operation).
- OPEN (door fully opens and remains).

Optional Accessory Interface

- Motion sensor (door opens and remains until sensor zone clears; time-delayed closing).
- Presence sensor (swing area protection; prevents closed door from opening/open door from closing).
- Built-in lock-out function and support for dual-state overhead safety sensors.
- Door-Mounted Sensors (Approach/Door Open; Swing side/Door Inhibit).

Built-in Power Supply for Sensors

Electrical Requirements

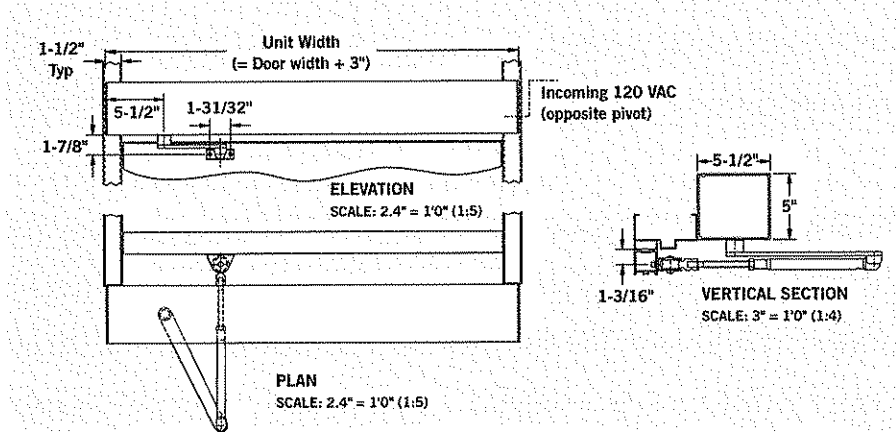
- 120 VAC, 50/60 Hz, 5 A minimum.

Aesthetic solutions for swinging door applications.

ED700 Configurations

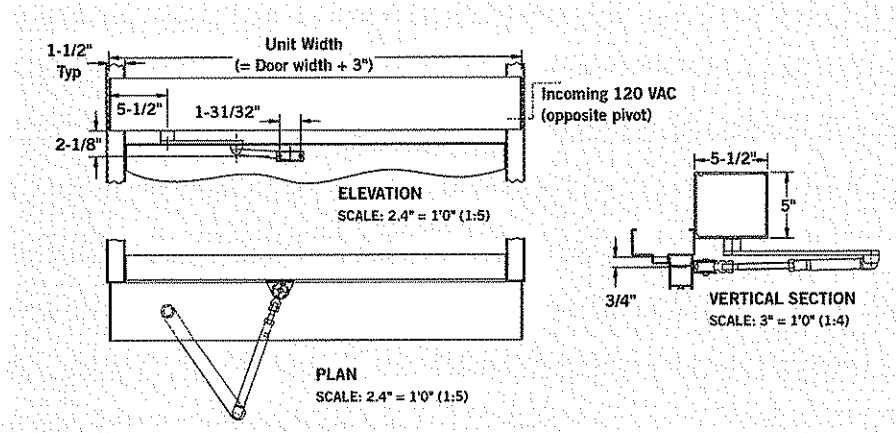
Surface Applied Outswing Scissor-Arm (Push Application)

Surface applies the operator to the door frame with a push arm assembly attached to the top door rail.

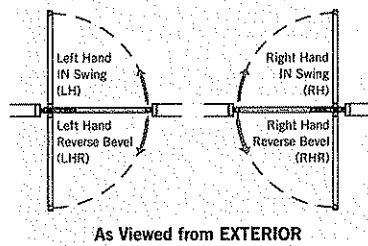


Surface Applied Inswing Scissor-Arm (Pull Application) (Standard)

Surface applies the operator to the door frame with push arm assembly attached to the top door rail.



Door Handing Definition





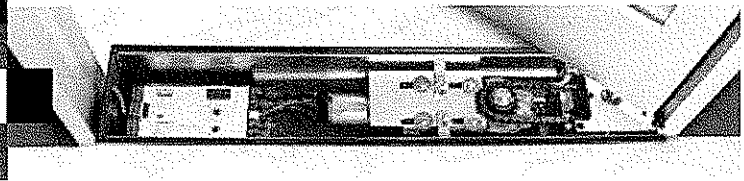
DORMA ED400-IG — Concealed Automatic In-Ground Floor Closer

DORMA introduces the ED400-IG Automatic Floor Closer for applications that need to meet access requirements and simultaneously maintain a classic look, such as an arched door or an all-glass façade. This revolutionary new operator conceals the automatic components in the floor near the door threshold.

The ED400-IG functions in either low energy or full power mode, and can be used in both new construction and retro-fit applications. DORMA partnered with Opcon

Manufacturing Systems to construct a closer that directs the energy generated by the ED400 drive unit to the pivot in a rotating motion, thus allowing consistent, smooth operation.

The install box that stores the operator is completely weather proof and is only 7" deep. All ED400 operator functions, such as Push & Go, Power Close, and Lock Interface, are fully available in this application, which DORMA is nonetheless able to offer at a value-conscious price.



DORMA ED1400 — Smooth Operation and Monumental Styling in a Low Energy Balanced Door

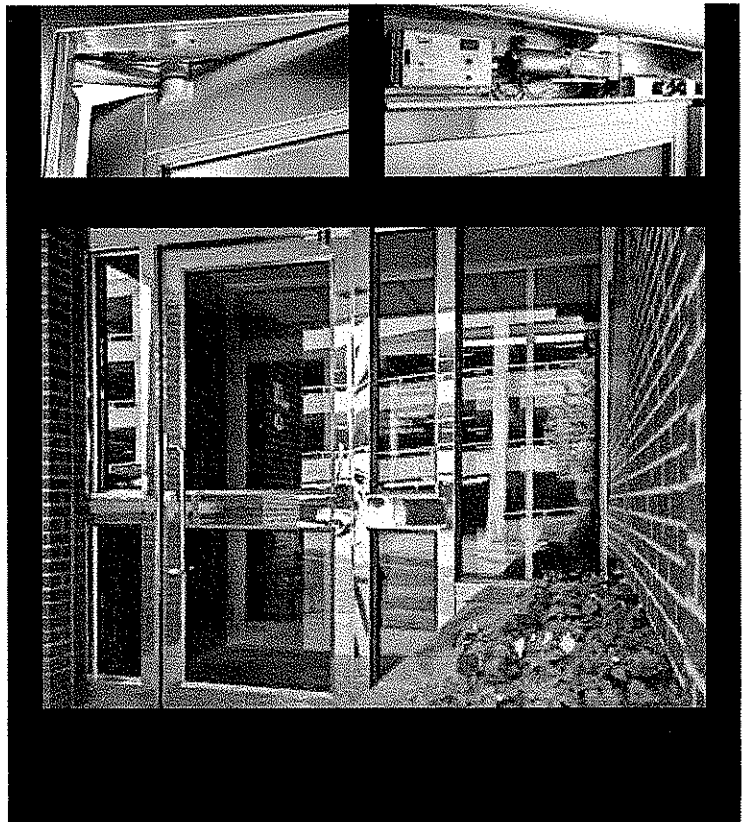
DORMA introduces the ED1400 Low Energy Balanced Door. Balanced doors are known for smooth operation, wind stack advantages, and monumental styling.

The DORMA ED1400 automatic balanced door is constructed with premium-grade aluminum extrusion and is precision-assembled to the highest standard. This balanced door uses the ED400 controller for opening and a manual hydraulic closer to augment closing.

Combining both systems ensures super smooth operation in both automatic and manual modes.

Features

- The base unit size is 7'-0" x 3'-0".
- Different sizes and options are available.
- Available finish options include clear and dark bronze aluminum, over 20 special anodizing finishes, and painted finishes in literally countless colors.



DORMA Automatics
Low Energy Operators

DORMA Entrance Systems



DORMA Entrance Systems™



DORMA Automatics • Crane Revolving Doors • Carolina Door Controls
Providing entrance systems that meet or exceed industry standards while maintaining architectural appeal.

DORMA Group North America



DORMA Automatics
A leading innovator of automatic door systems, DORMA Automatics offers products for practically any application: retail, health-care, office buildings, airports, hospitality, and more.

Crane Revolving Doors
The choice of leading architects for commercial and institutional buildings, Crane Manual, Automatic, & Security Revolving Doors can be found in buildings worldwide.



Carolina Door Controls
Providing sales, installation, and service for automatic doors.

DORMA Entrance Systems™
Pedestrian Flow, Safety & Security

DORMA Architectural Hardware
Providing Safety & Security Around the Door

DORMA Glas
Elegance, Versatility & Beauty

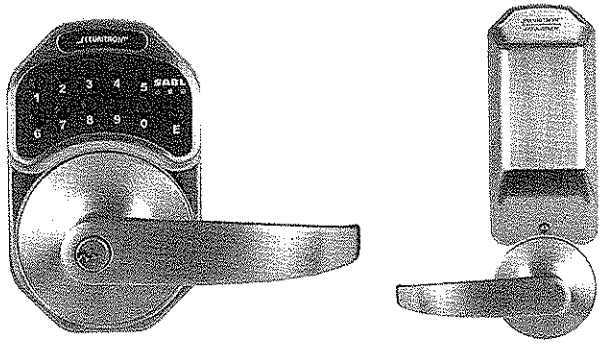
Modernfold
Sound & Space Management

DORMA Entrance Systems
924 Sherwood Drive
Lake Bluff, IL 60044

Toll Free: 877.367.6211
Fax: 877.423.7999

Email: automatics@dorma-usa.com
www.dorma-usa.com

©2008 DORMA Group North America
DORMA is a registered trademark of DORMA Properties, Inc.
Printed in U.S.A.

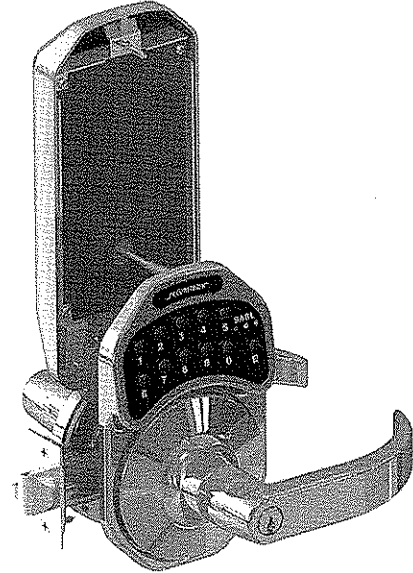


SABL® Stand Alone Battery Lock

Engineered for high-traffic access control, SABL is perfect for new construction or retrofitting educational facilities, commercial buildings and hospitals. Tampering with or even destroying the keypad will not release the door.

Features & Benefits

- Based on the award winning and popular DK-26 keypad programming
- 6 AA batteries (included) tested to over 100,000 cycles, two year average battery life
- Fits in a standard ANSI 2-3/4" backset
- Weatherproof keypad with true 10 digit functioning
- Grade 1 lock, "Clutched" and vandal resistant
- Non-handed, available with PB handle (standard), or AU handle (26D only)
- 55 user codes, 2 passage codes and 2 lockout codes
- Request to Exit (REX) input
- Four attractive architectural finishes available
- Keyways available: (see next page)
 - KIL (Key In Lever) format - Sargent LA, Yale, Schlage SC1
 - IC (Interchangeable Core) format - Best IC Core Prep (cylinder not included)
 - RC (Removable Core) format - ASSA, Medeco, Sargent, Corbin Russwin, Schlage SI



Optional Privacy Function (Contact Factory)

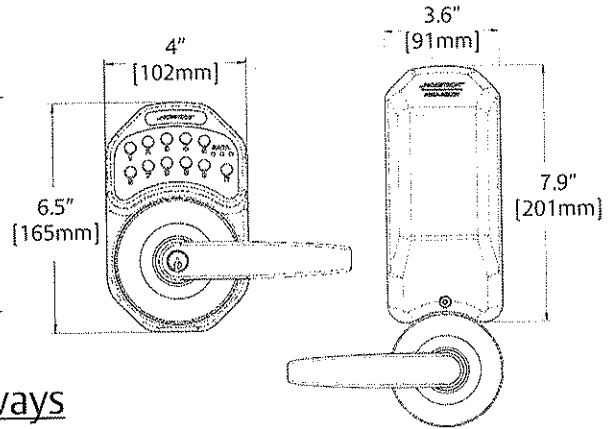
- Ideal for bathrooms, showers, dressing rooms - privacy function activated by entering authorized user code
- LED and beeper indicate when privacy feature is active

Specification Data

Batteries: 6 AA alkaline batteries (included)
 Operating Temperature: -22 to +158F [-30 to +70C]
 Shipping Weight: 9 lbs.
 Warranty: MagnaCare Lifetime Replacement Warranty

Ratings

NEMA 3R, IP33



Available Keyways

How To Order

Add the appropriate suffix from the table to the Part # below. EX: "SABL-26D-SC1" "SABL-26D-YALE"

SCHLAGE SC1/KEY IN LEVER
 YALE/KEY IN LEVER
 SARGENT/KEY IN LEVER
 BEST/INTERCHANGEABLE CORE
 ASSA/REMOVABLE CORE
 MEDECO/REMOVABLE CORE
 SARGENT/REMOVABLE CORE
 CORBIN RUSSWIN/REMOVABLE CORE
 SCHLAGE SI/REMOVABLE CORE
 HANDLE/PB STYLE
 HANDLE/AU STYLE

SABL-26D-XXX	SC1	YALE	SGT	BEST	ASAU	MDAU	SGAU	CRAU	SIAU		
SABL-26-XXX	SC1	YALE	SGT	BEST							
SABL-10B-XXX	SC1	YALE	SGT	BEST							
SABL-03-XXX	SC1	YALE	SGT	BEST							

SABL finishes shown on page 75

Keyswitch Selection Guide

	Single Gang	Narrow Style	Double Gang	Lock #2 Keys	Momentary	Alternate	SPDT	EPDT	Bicolor LED	Add On
MK	●				●		●		●	
MK2	●				●			●	●	
MKA	●					●	●		●	
MKA2	●					●		●	●	
MKAN		●				●	●		●	
MKAN2		●				●		●	●	
MKN		●			●		●		●	
MKN2		●			●			●	●	
MKPZ			●		●		●		●	
MKAPZ			●			●	●		●	
MKS					●		●			●
MKS2					●			●		●
MKSA						●	●			●
MKSA2						●		●		●
MKC										●
MKC-KA										●
KP1	●			●	●		●		●	
KP1A	●			●		●	●		●	
KP1AN		●		●		●	●		●	
KP1N		●		●	●		●		●	

Overview

The UltraView™ Series traditional box cameras provide high performance and advanced technology while complementing the UltraView Dome cameras. This comprehensive product platform offers an integrated and open framework to address enterprise security challenges.

UltraView Cam WDR

High-resolution, wide dynamic range, traditional box camera

The UltraView Cam WDR is the next generation in Wide Dynamic Range (WDR) cameras. The UltraView Cam WDR uses the latest XPosure™ image analysis technology to provide world-leading performance in challenging lighting conditions combined with dramatically improved low-light performance. XPosure technology optimizes the exposure for each pixel on the sensor, showing details in shadows and highlights. This performance allows every detail to be captured accurately even in the most difficult lighting conditions such as lobbies, loading docks, retail applications and ATMs with bright backlight. Xposure technology reads the sensor several dozen times per second resulting in a dynamic range 100 times better than standard CCD cameras—up to 120 dB in normal operations.

UltraView™ Series

Traditional Box Cameras

UltraView Cam WDR (XP3) &
UltraView Cam (EVR)

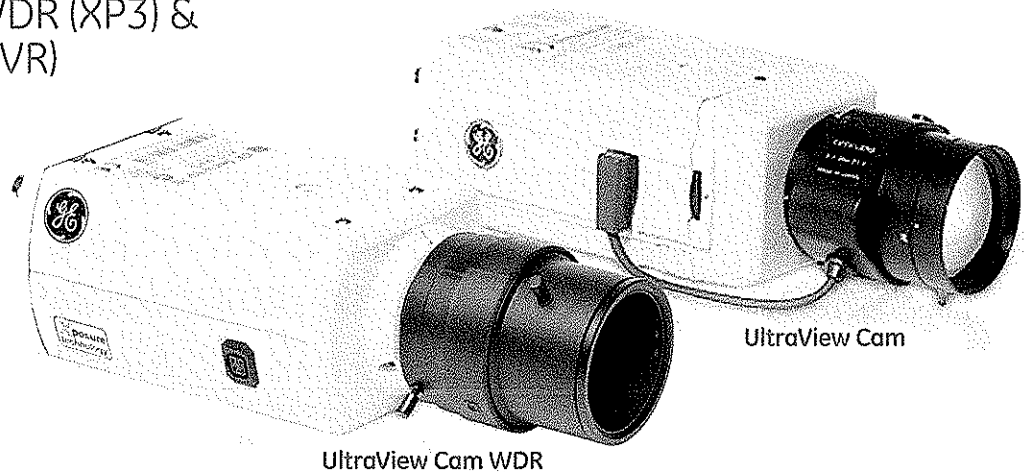
Another advantage of the UltraView Cam WDR is its low-light performance. The camera provides image analysis through tunable gain stepping and individual color saturation sliders which allow fine-tuning to fit each application and specific need. The UltraView Cam WDR is dual-temperature-calibrated at the factory, so it automatically adjusts gain, white balance and other settings based on its environment, providing the best possible images in any situation, at any temperature.

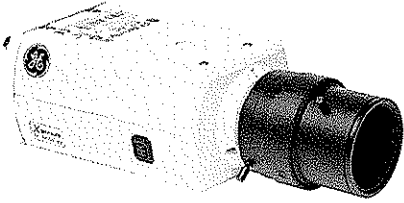
UltraView Cam

High-resolution, true day/night, traditional box camera

Experience crisp and clear images with the UltraView Cam day/night cameras. These cameras produce high-quality pictures even in low-light conditions and can be used with infrared illumination. The UltraView Cam offers high performance, custom configurability and a full feature set for virtually any application. BNC/UTP connections also come standard.

Setup is easy with the five-button digital OSD (on-screen display) interface which controls white balance, gain, and iris control, as well as other common features. Some of the UltraView Cam's advanced features include privacy masking, digital zoom and horizontal/vertical mirroring. It uses a removable IR cut filter to produce detailed pictures even in low lighting. The UltraView Cam allows four types of day/night switching: lux, manual, schedule or IO.

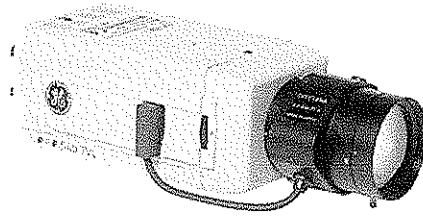




Standard Features

UltraView™ Cam WDR

- Next-generation XPosure™ technology
- 540 horizontal lines of resolution
- Dynamic range 95dB (typical), 120dB (max)
- Optional progressive scan output
- Uses less power
- Accepts manual, DC, and video auto iris lenses
- Easy-to-use five-button menu for setup and configuration
- Preset modes optimized for various environments
- Universal power input, 12VDC/24VAC



Standard Features

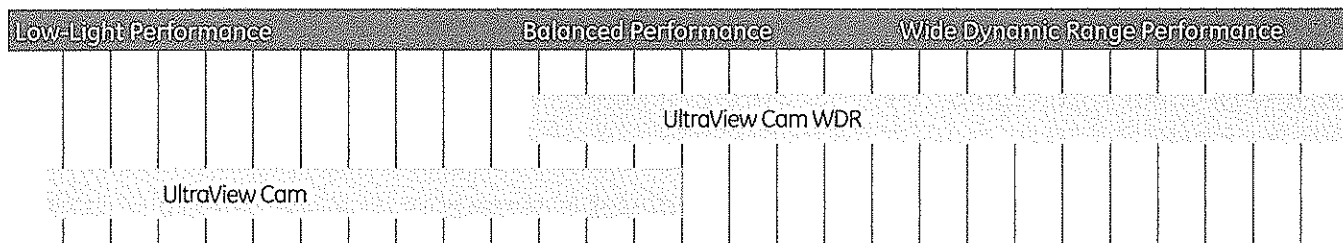
UltraView Cam

- Excellent low-light performance
- 540 horizontal lines of resolution
- True day/night camera
- Four types of day/night switching
- Black-and-white mode or low-light environment
- All-digital On-Screen Display (OSD) Graphical User Interface (GUI)
- Easy-to-use five-button menu for setup and configuration
- Universal power input, 12VDC/24VAC



UltraView Cam Lighting Recommendations

	UltraView Cam	UltraView Cam WDR
Normal Lighting • No heavy backlight or reflections • Area is evenly illuminated • No bright moving objects • IR sensitive in night mode	X	
Challenging Lighting • Heavy backlight or reflections • Area is not evenly illuminated • Many bright, moving objects • Not IR sensitive in night mode		X

UltraView Cam Performance



Specifications

		UltraView Cam	UltraView Cam WDR
			
Camera	Image	1/3" interline transfer Super HAD CCD	1/3" sensor with GE Xposure technology
	Dynamic range	—	95 dB typ./120 dB max
	Signal system	NTSC, PAL	NTSC, PAL
	Pixels	811 H x 508 V (NTSC) 795 H x 596 V (PAL)	720 H x 540 V
	Scanning system	525/60 lines (NTSC) 625/50 lines (PAL)	525/60 lines (NTSC) 625/50 lines (PAL)
	Digital zoom	—	Up to 4x
	Synchronization	Internal/line-lock; phase adjustable	Internal/line-lock AC
	Resolution	540 TVL horizontal	540 TVL horizontal
	Sensitivity	<ul style="list-style-type: none"> • 0.3 lux @ f1.2 (SAGC on, 30 IRE) • 0.05 lux @ f1.2 in b/w mode (SAGC on, 30 IRE) • 0 lux visible light under IR illumination (780 NM to 1100 NM) 	0.5 lux @ f1.2, 30 IRE
	Signal-to-noise ratio	> 50 dB	52 dB
	Electric shutter	Automatic: 1/60 (1/50) to 1/100,000 sec Manual: 1/60 (1/50) to 1/10,000 selectable	—
	Color balance	ATW, AWB, PTL	ATW, ATB
	Gain	12 steps adjustable (0–12)	AGC on/off, fully programmable
	Auto backlight compensation	Off/On	—
	Gamma compensation	0.45/1.0; Gamma has 8 curves selectable	0.45 NTSC; 0.36 PAL
	Video output	Composite 1.0 V p-p at 75 ohm load	Composite 1.0 V p-p at 75 ohms
Lens mount	C/CS	C/CS	
Lens options	Accepts manual, video, and DC auto iris lenses	Accepts manual, video, and DC auto iris lenses	
Physical	Dimensions (LxWxD)	5.55 x 2.76 x 2.05 in. (141 x 70 x 52 mm)	4.4 x 2.9 x 2.1 in. (111 x 74 x 53 mm)
	Weight	14.5 oz (411g)	14.5 oz (411g)
Electrical	Power source	Universal <ul style="list-style-type: none"> • 10–30 VDC • 18–30 VAC 	Universal <ul style="list-style-type: none"> • 11–30 VDC • 18–30 VAC
	Input voltage	12 VDC or 24 VAC	12 VDC or 24 VAC
	Power consumption	3.3 W	12 VDC, 3.0 W 24 VAC, 3.5 W
Environmental	Operating temperature	-4° to 122°F (-20° to 50°C)	14° to 140°F (-10° to 60°C)
Regulatory Information	Agency approvals	FCC, CE, UL, C-Tick	FCC, CE, UL, C-Tick

GE Security

North America
T 503-885-5700
T 888-GE-SECURITY
888-437-3287

Asia
T 852-2907-8108
F 852-2142-5063

Australia
T 61-3-9239-1200
F 61-3-9239-1299

Europe
T 32-2-725-11-20
F 32-2-721-40-47

Latin America
T 305-593-4301
F 305-593-4300

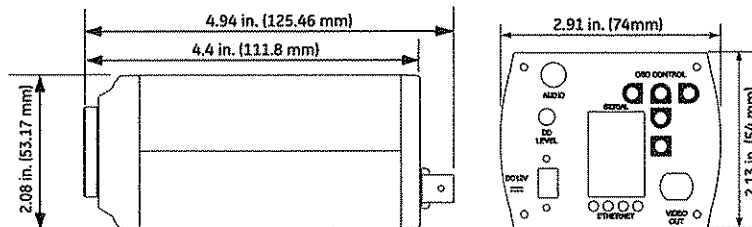
gesecurity.com

Specifications subject to
change without notice.

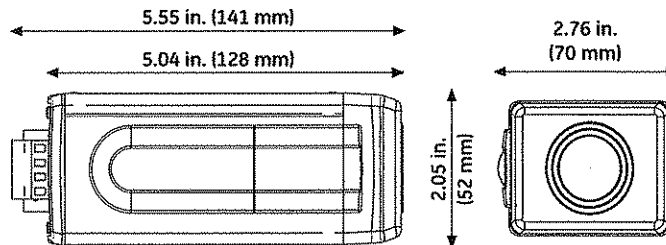
© 2009 General Electric Company
All Rights Reserved

Dimensional Diagrams

UltraView Cam WDR



UltraView Cam



Ordering Information

UltraView Cam WDR	
NTSC	
UVC-XP3-HR	UltraView Cam (XP3 Series) Traditional Box Camera, 540 TVL, UTP, BNC, WDR, 12 VDC/24VAC
PAL	
UVC-XP3-HR-P	UltraView Cam (XP3 Series) Traditional Box Camera, 540 TVL, UTP, BNC, WDR, 12 VDC/24VAC, PAL
UltraView Cam	
NTSC	
UVC-EVRDN-HR	UltraView Cam (EVR Series) True Day/Night Traditional Box Camera, 540 TVL, UTP, BNC, 12 VDC/24VAC
PAL	
UVC-EVRDN-HR-P	UltraView Cam (EVR Series) True Day/Night Traditional Box Camera, 540 TVL, UTP, BNC, 12 VDC/24VAC, PAL



imagination at work



www.GESecurity.com

CCTV Lenses

1/3-inch Format Varifocal

Overview

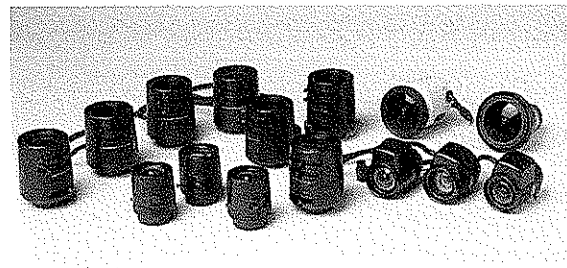
GE Security offers a complete line of 1/3-inch format lenses. Our lenses are compact in size, while offering large apertures for superb low-light performance. High-quality multicoated glass lens elements provide excellent contrast and color rendition. Aspheric lens surfaces on all models provide corner-to-corner image sharpness at all aperture settings. All lenses feature metal CS mounts.

Outstanding Features

Lenses are available with manual or DC autoiris. When using a manual iris lens, the iris is adjusted using a ring on the body of the lens. The electronics within the camera automatically compensate for any changes in luminosity.

If the camera is to be used in an outdoor situation, we recommend using an autoiris lens. An automatic iris adjusts to compensate for changes in light and incorporates a neutral density filter to provide additional protection in bright light conditions.

Included in the varifocal line is a 2.7 mm to 13 mm day/night lens—designed using special optical glass for extremely low chromatic aberration—providing sharp round-the-clock surveillance without the need for nighttime refocusing.



Standard Features

- **1/3-inch format varifocal lenses**
- **Manual or DC autoiris**
- **Compact**
- **Large aperture for excellent low-light performance**
- **Modern aspheric lens surfaces on all models for superior image quality**
- **High-quality glass lenses with modern multicoating for superb contrast and color rendition**
- **Metal CS mount**

CCTV Lenses

1/3-inch Format Varifocal

Specifications

KTL-2.5-10VM/KTL-2.5-10VA

- Focal length: 2.5 to 10 mm
- Zoom ratio: 4x
- Max aperture: F1.4 to 2.7
- MOD: 0.3 m
- Weight: 77.8 g (VA: 75.9 g)
- Dimensions (mm): 48 x 60 (VA: 50.5 x 60)

KTL-2.7-10VM/KTL-2.7-10VA

- Focal length: 2.7 to 13.5 mm
- Zoom ratio: 4.8x
- Max aperture: F1.3
- MOD: 0.3 m
- Weight: 65.0 g (VA: 70.0 g)
- Dimensions (mm): 56.1 x 40.5 x 55.7 (VA: 56.1 x 40.5 x 55.2)

KTL-2.9-8VM/KTL-2.9-8VA

- Focal length: 2.9 to 8 mm
- Zoom ratio: 2.75x
- Max aperture: F0.95
- MOD: 0.3 m
- Weight: 35.0 g (VA: 50.0 g)
- Dimensions (mm): 36.7 x 33.5 x 51.3

KTL-3.5-8VM/KTL-3.5-8VA

- Focal length: 3.5 to 8 mm
- Zoom ratio: 2.28x
- Max aperture: F1.4 to 1.86
- MOD: 0.3 m
- Weight: 89.8 g (VA: 76.6 g)

- Dimensions (mm): 36 x 48.1 (VA: 47.1 x 48.1)

KTL-5.5-33VM/KTL-5.5-33VA

- Focal length: 5.5 to 33 mm
- Zoom ratio: 6x
- Max aperture: F1.6
- MOD: 0.3 m
- Weight: 148.5 g (VA: 144.5 g)
- Dimensions (mm): 42 x 54.5 (VA: 54.3 x 54.5)

KTL-5-50VM/KTL-5-50VA

- Focal length: 5.0 to 50 mm
- Zoom ratio: 10x
- Max aperture: F1.3
- MOD: 0.3 m
- Weight: 95.0 g (VA: 100.0 g)
- Dimensions (mm): 63.1 x 40.5 x 55.7 (VA: 63.2 x 40.5 x 55.2)

KTL-7-70VM/KTL-7-70VA

- Focal length: 7.0 to 70 mm
- Zoom ratio: 10x
- Max aperture: F1.8 to 2.17
- MOD: 0.3 m to 1.0 m
- Weight: 199.5 g (VA: 201.5 g)
- Dimensions (mm): 55 x 82.2

Additional Information

- Day/night: No (except KTL-2.7-13VM/KTL-2.7-13VA: Yes)
- Aspheric surface: Yes (applies to all models)

Related Diagram

Ordering Information

Not Applicable

KTL-		or	
Manual Iris / Focal Length		Auto Iris / Focal Length	
2.5-10VM	2.5 to 10 mm	2.5-10VA	2.5 to 10 mm
2.7-13VM	2.7 to 13 mm	2.7-13VA	2.7 to 13 mm
2.9-8VM	2.9 to 8 mm	2.9-8VA	2.9 to 8 mm
3.5-8VM	3.5 to 8 mm	3.5-8VA	3.5 to 8 mm
5-5.33VM	5 to 5.33 mm	5-5.33VA	5.5 to 33mm
5-50VM	5 to 50 mm	5-50VA	5 to 50 mm
7-70VM	7 to 70 mm	7-70VA	7 to 70 mm



GE Security

Mailing Address
4575 Research Way, STE 250
Corvallis, OR 97333 USA
www.GESecurity.com

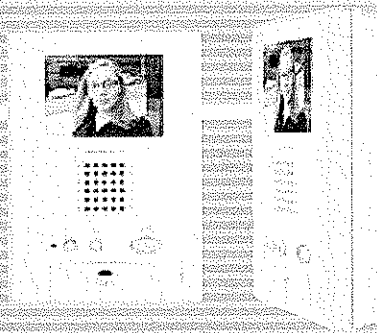
Americas
800-469-1676 (US only)
tel 541-754-9133
fax 541-754-7162

Asia
tel 852-2907-8108
fax 852-2142-5063
Australia
tel 61-3-9259-4700
fax 61-3-9259-4799

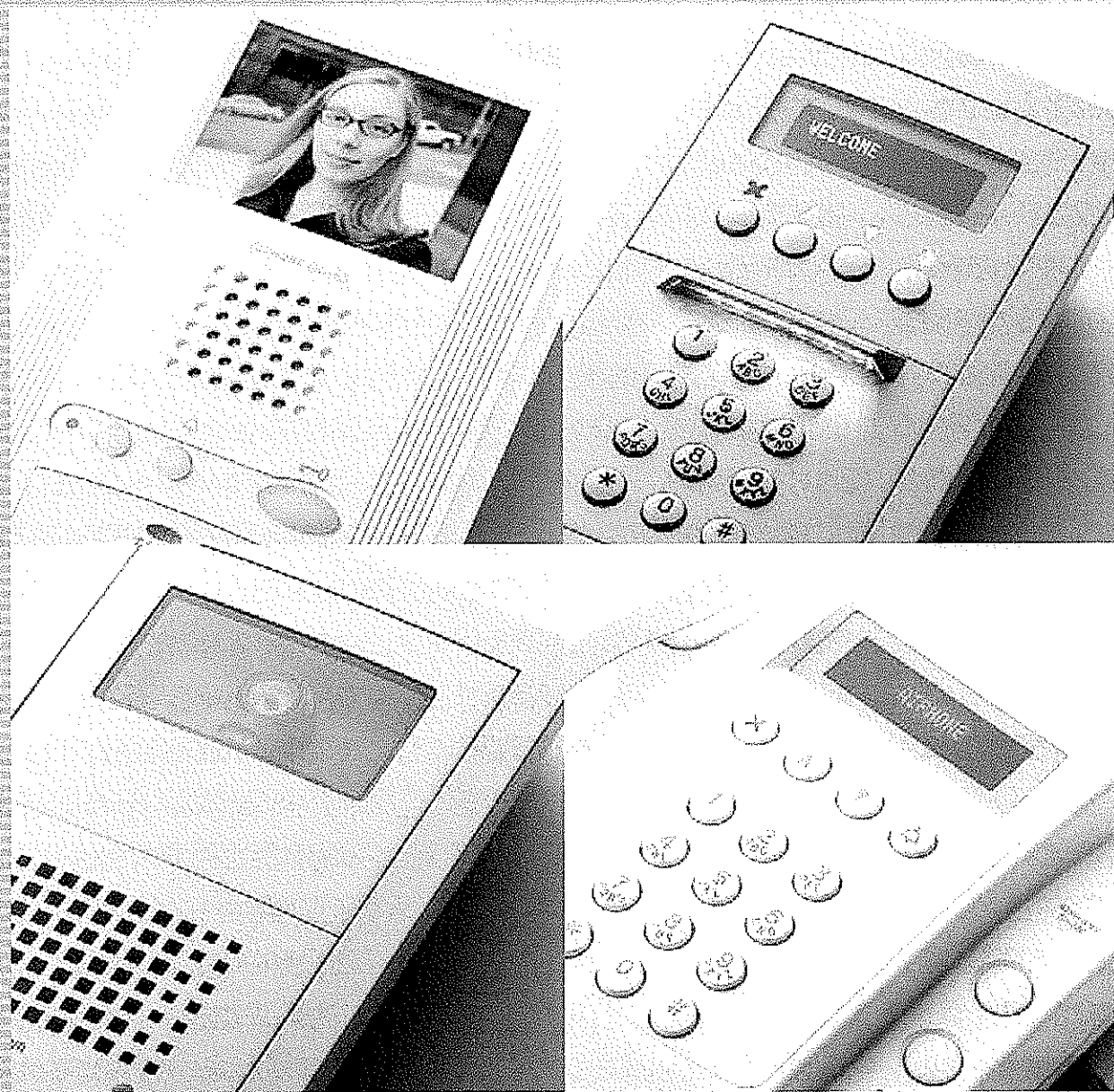
Europe
tel 32-2-725-11-20
fax 32-2-721-86-13
Latin America
tel 305-267-4301
fax 305-267-4300

www.GESecurity.com

DAIPHON



Hi Open Voice
Audio & Video Services



• High Resolution Color Video Monitors for Added Security



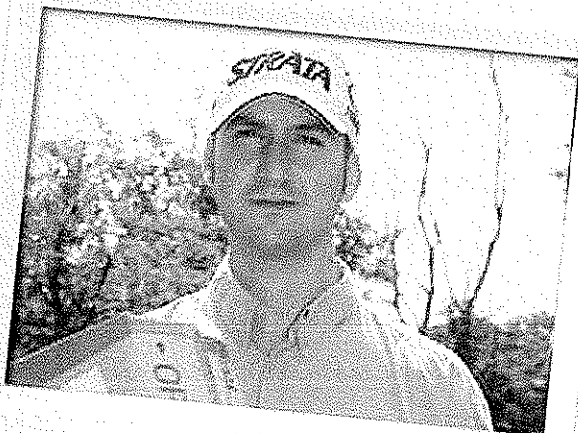
GH Multi-Tenant Entry Security System

Solutions for All Types of Residential & Commercial Buildings

In today's society, an increasing demand is placed on building security. An entry system must have certain criteria: it needs to match a tenant's lifestyle, must be reliable, simple to use, and economical to install. Aiphone's GH System meets all of these demands.

The GH System offers simple hands-free tenant stations, provides unparalleled reliability, and is backed by the best support in the industry. This system can accommodate up to 500 units, 16 entrance panels, and 4 security guard stations. Installation is quick and easy using no more than four wires, and the included programming software is intuitive to use.

When you use Aiphone, you're using products you can count on from a name you can trust.



AIPHONE GH-1K7



Tenant Station



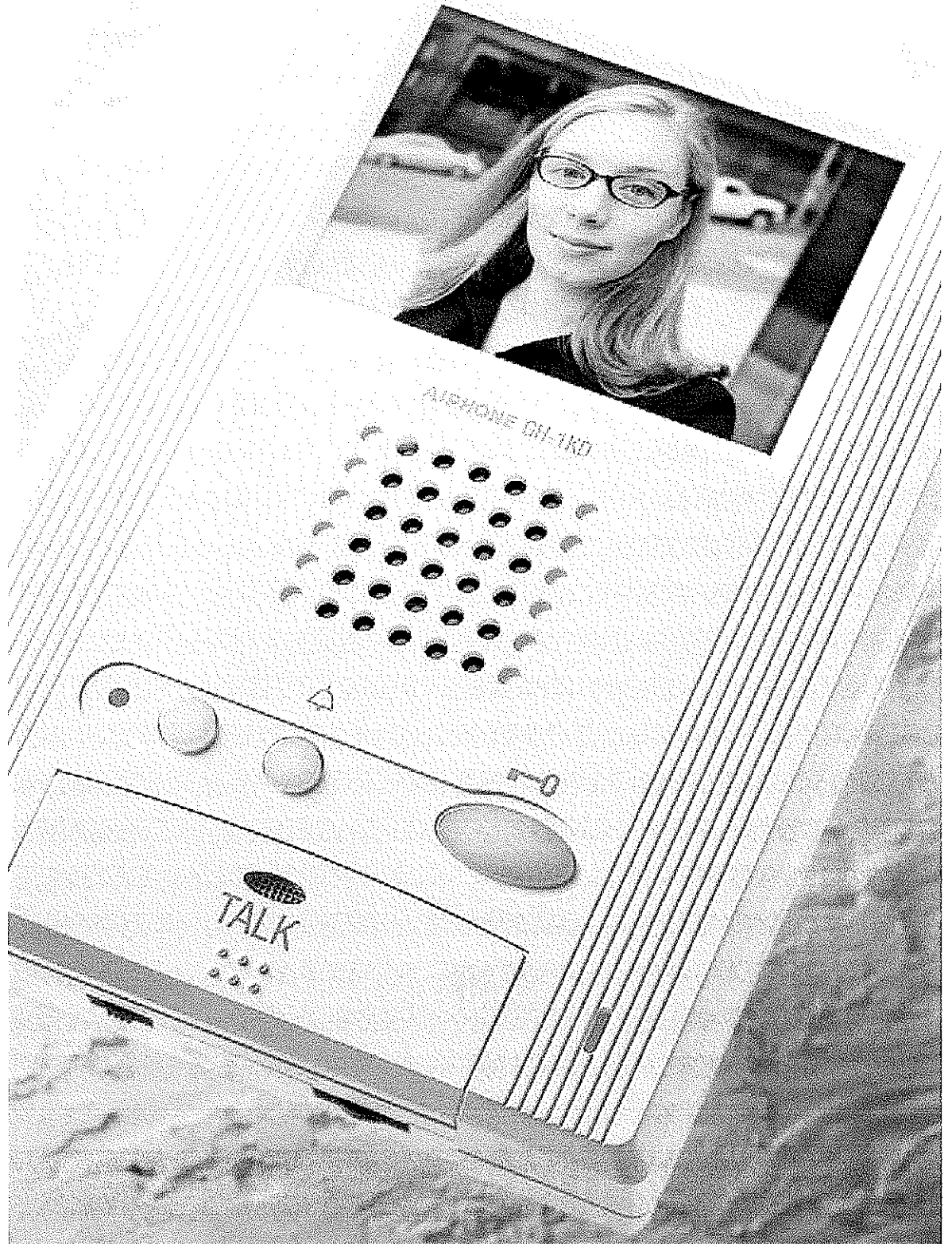
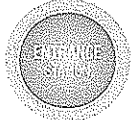
Security Guard Station



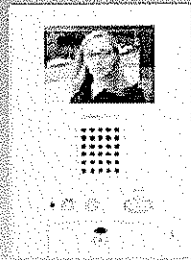
Entrance Station

The GH System offers several benefits over other traditional telephone-style entry systems. It's a direct connect system that does not require an outside phone line at the tenant location and will never incur additional phone company charges. This series improves security by requiring individuals to be at the tenant station to answer calls and grant access. In addition, the GH system offers security guard stations, open voice communication, and tenant monitoring of the entry.

TENANT STATION



Select from five styles



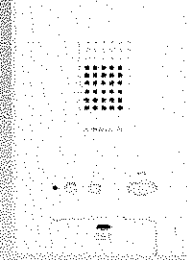
GH-1KD*
Hands-free Color Monitor Tenant Station (white)
*GH-1KD-SB with functional service button



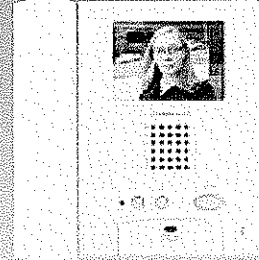
GH-1KDS*
Hands-free Color Monitor Tenant Station (silver)
*GH-1KDS-SB with functional service button



GH-1MD
Hands-free B&W Monitor Tenant Station (white)



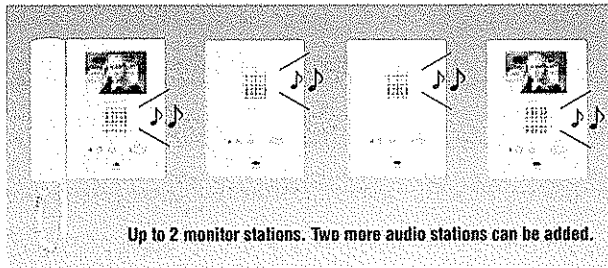
GH-1AD*
Hands-free Audio Tenant Station (white)
*GH-1AD-SB with functional service button



GH-1KD with GH-HS
Hands-free Color Monitor Tenant Station with Optional Handset (white)

Up to 4 Units per Tenant

A maximum of 4 units per tenant allows calls from an entry to be answered from almost anywhere.



Up to 2 monitor stations. Two more audio stations can be added.

Entrance Monitoring

Tenants can monitor the entry areas. A call from any entry panel will have priority over tenant monitoring.

Compact, Elegant & Durable

The hands-free color video and audio stations offer compact, elegant styling, which is backed by one of the best warranties in the industry.

Handset Available

Optional handset is available for privacy (GH-1KD only)

Other Features

Push-to-talk Function

For noisy environments, communication to the entry panel from the tenant can be push-to-talk instead of hands-free.

External Signaling Device

A device*, such as a buzzer, a light, or a doorbell can be activated when the tenant station receives a call.

*Requires GH-RY Relay and #238400 connector (not included).

Service Button*

An open contact function that can be used to turn on lights or call an elevator, etc.

*Order GH-1KD-SB or GH-1AD-SB for operational Service Button feature.

Emergency Call to Security Guard Station

A separate switch* can be used to trigger calls to the security guard station.

*Use GFK-PS or any N/C switch.

Automatic Door Release

The option to allow a tenant to automatically release the door lock when their unit is called.

*Requires #238400 connector (not included).

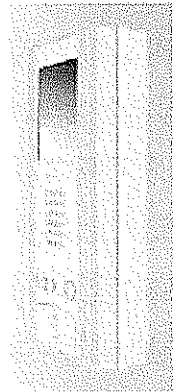
Not available when service button is used.

Call Tone Off LED

LED blinks while call tone is muted.

Doorbell

An optional doorbell can be connected at each tenant's door.

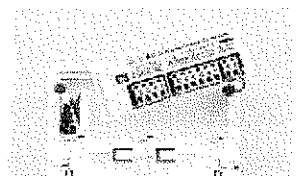


Color Video Helps Identify Visitors

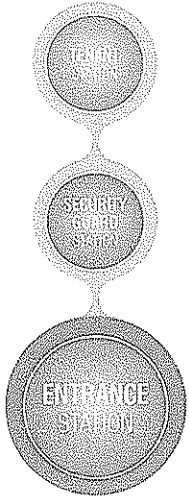
- Color video monitor adds more security to individual tenants
- Available with hands-free, full color video monitors
- Tenants can clearly identify visitors using the high resolution TFT monitors

Installer-Friendly Terminal Block

- The terminal block can be removed from the station unit
- Makes installation easier and protects the station against theft during installation
- Available with GH-1KD, GH-1KDS, GH-1AD and GH-MK.



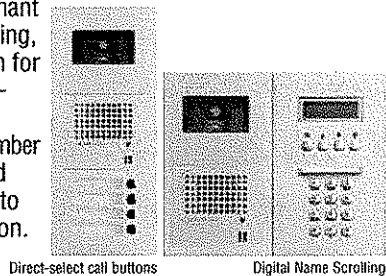
ENTRANCE STATION



2 Styles to Choose From

An entry panel can be configured in two ways: Digital Name Scrolling or Direct-Select. Digital Name Scrolling entry panels have a VFD* display for tenant names, 10-key pad for calling, and is an excellent solution for larger complexes. A Direct-Select entry panel can be configured to the exact number of tenants in a building and features a name card next to each button for identification.

*Vacuum Fluorescent Display

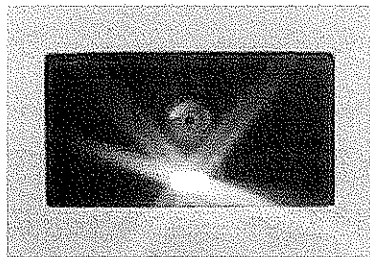


Direct-select call buttons

Digital Name Scrolling

Always Crystal Clear Color Video

A built-in white illumination LED automatically activates in low light and night time conditions to provide clear video images to the tenant stations.



Convenient Tenant Search

The digital scrolling entry panel allows visitors to easily find tenants by name or unit number (directory search by first letter is also available).



Customizable Welcome Message

Tenants are able to enter their own welcome message. Up to 160 alpha-numeric characters can be used to greet visitors and give instructions on the entry's VFD panel.



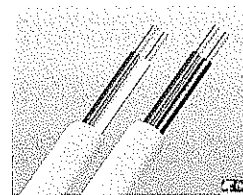
Card Readers, Access Codes & Postal Lock

Up to 20 access codes are available to activate an electric door strike or magnetic lock. A module with an embedded HID® card reader is also available to allow tenants to use proximity cards for access into the building. The postal lock modules allow postal workers to gain entry access as well (GF-OP2, GF-OP3).

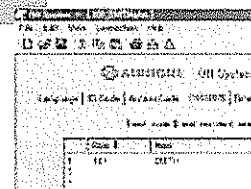
Easy Installation

Installation/Setup is Quick & Easy

- Simple wiring: 2 conductor for audio and 2 conductor for video
- Tenant data can be transferred from the first entrance panel to any additional entry panels and security guard stations
- GH-NS and GH-MK can be programmed via a PC
- All required software is included



2 cond. for audio & 2 cond. for video



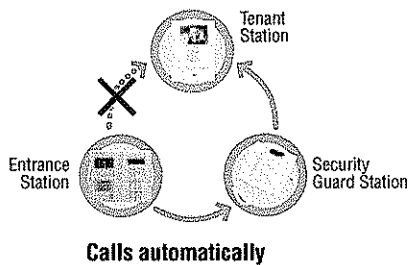
PC programmable

SECURITY GUARD STATION



Visitor Screening

All calls from entry panels can be routed through the security guard station(s). The security guard station can allow visitors to enter or transfer calls to the tenant(s).



Caller ID with Callback

All calls to the security guard station display the name of the party calling, and up to 20 missed calls can be stored. Callback from the security guard/concierge is simply a matter of pressing the call button while a tenant's name is displayed.



Full System Connectivity

The security guard station can place and receive calls from all entry panels, tenant stations, and any other security guard stations.

Other Features

Receives Emergency Call from Tenant Stations

A separate switch* at the tenant station activates calls at the security guard station.
*Use GFK-PS or any N/C switch.

Doorbell

An optional doorbell can be connected.

Service Button

An open contact function* that can be used to turn on lights or call an elevator, etc.
*Requires #238400 connector (not included) plus unit modification.

External Signaling Device

A device* such as a buzzer, a light, or a doorbell can be activated when the security guard station receives a call.
*Requires GH-RY Relay and #238400 connector (not included).

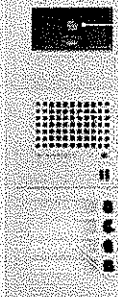
Wall & Desktop Installation



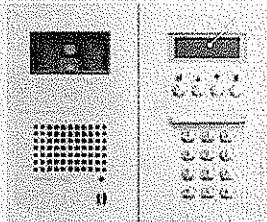
SYSTEM COMPONENTS

Entrance Station

Direct-Select Call Button



Digital Name Scrolling



Audio Module



GH-DP
Audio Panel



GH-DA/A
Audio Module

Digital Name Scrolling Module



GF-NSP
LCD Directory Panel



GH-NS
LCD Directory

Front Frames & Back Boxes

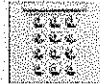
Video Module



GF-VP
Video Panel



GH-VA
Video Module



GF-10KP
Digital Keypad Panel



GH-10K
Digital Keypad



GF-2F
2-Module
Front Frame



GF-3F
3-Module
Front Frame



GF-nH
Rain Hood

Call Switch Module



GF-1P
1-Call Panel



GF-2P
2-Call Panel



GF-3P
3-Call Panel



GF-4P
4-Call Panel



GH-SW
Call Switch
Module

Options



GF-AP
Address Panel



GH-AD
Address Module



GH-VAX*
CCTV Interface
Module
**in place of GH-VA*



GF-BP
Blank Panel



GF-HID
ProxPoint Plus® Embedded
HID® Card Reader



GF-HID-I
i-CLASS™ Embedded
HID® Card Reader



GF-2B
2-Module
Back Box



GF-3B
3-Module
Back Box



GF-nHB
Hooded Box for
surface mounting



GF-OP2
2-Frame
Postal Lock
Module



GF-OP3
3-Frame
Postal Lock
Module



GF-C
30" Internal
Connector for
expanded direct
select panels

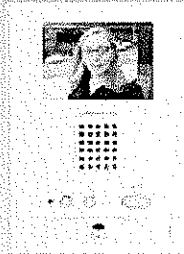
Entrance Station Components

Number of Call Buttons	4	8	12	16	20	24	25-500	GH-NS & GF-10K
(1) GH-VA / GF-VP	1/1	1/1	1/1	1/1	1/1	1/1	For more than 24 tenants, use the Digital Name Scrolling Entry Panel	1/1
(2) GH-DA / GH-DP	1/1	1/1	1/1	1/1	1/1	1/1		1/1
(3) GH-SW / GF-4P	1/1	2/2	3/3	4/4	5/5	6/6		—
(4) GH-2F / GF-2B	—	2/2	—	—	—	—		2/2
(5) GH-3F / GF-3B	1/1	—	2/2	2/2	3/3	3/3		—
(6) GF-BP	—	—	—	—	1	1		—
GH-AD / GF-AP	—	—	1/1	—	1/1	—		—
(7) GH-NS / GF-NSP	—	—	—	—	—	—	1/1	
GH-10K / GF-10KP	—	—	—	—	—	—	1/1	

(1) Video (2) Audio (3) Call Switch (4) 2-Module Front Frame (5) 3-Module Front Frame (6) Option (7) Digital Name Scroll

SYSTEM COMPONENTS

Tenant Station



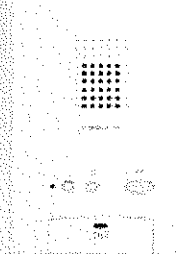
GH-1KD*
Hands-free Color
Monitor Tenant
Station (white)
*GH-1KD-SB with
functional service button



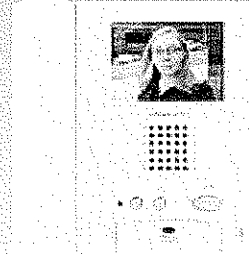
GH-1KDS*
Hands-free Color
Monitor Tenant
Station (silver)
*GH-1KDS-SB with
functional service button



GH-1MD*
Hands-free B&W
Monitor Tenant
Station (white)
*GH-4Z required

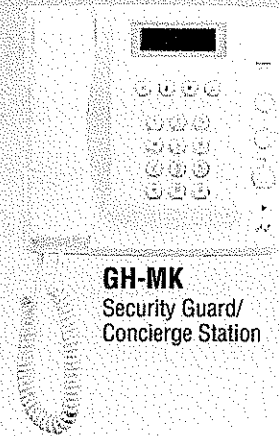


GH-1AD*
Hands-free
Audio Tenant
Station (white)
*GH-1AD-SB with
functional service button

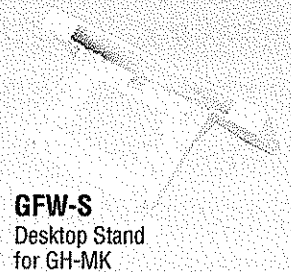


GH-HS for GH-1KD
Optional Handset
compatible with GH-1KD
(white)

Security Guard Station

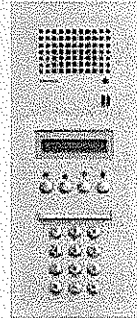


GH-MK
Security Guard/
Concierge Station

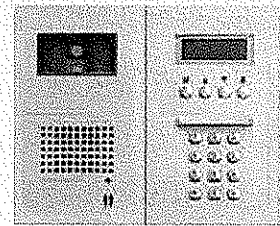


GFW-S
Desktop Stand
for GH-MK

Entry Panel Kits



GHA-DES/A
Audio, VFD Directory,
and Digital Keypad Modules



GHV-DES/A
Video, Audio, VFD Directory,
and Digital Keypad Modules

Expanded Control Units



GH-BCX/A
Expanded Audio Control Unit
(mounting rail included)



GH-VBX
Expanded Video Control Unit
(mounting rail included)

Control Units



GH-BC
Audio Control Unit

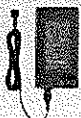


GH-VBC
Video Control Unit



GH-4Z
4-Tenant Video
Distribution Unit

Power Supplies, Options & Accessories



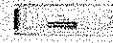
PS-2420UL
Power Supply,
24V DC, 2A



GH-RY
External
Activation Relay



GHW-LC
Multi-Relay Control Unit
(For use with GH Expanded System only)



W-DIN11
DIN Mounting Rail
for GH control units



#238400
Option
Connector

SYSTEM CONNECTION

Standard System

5
ENTRANCE
STATIONS

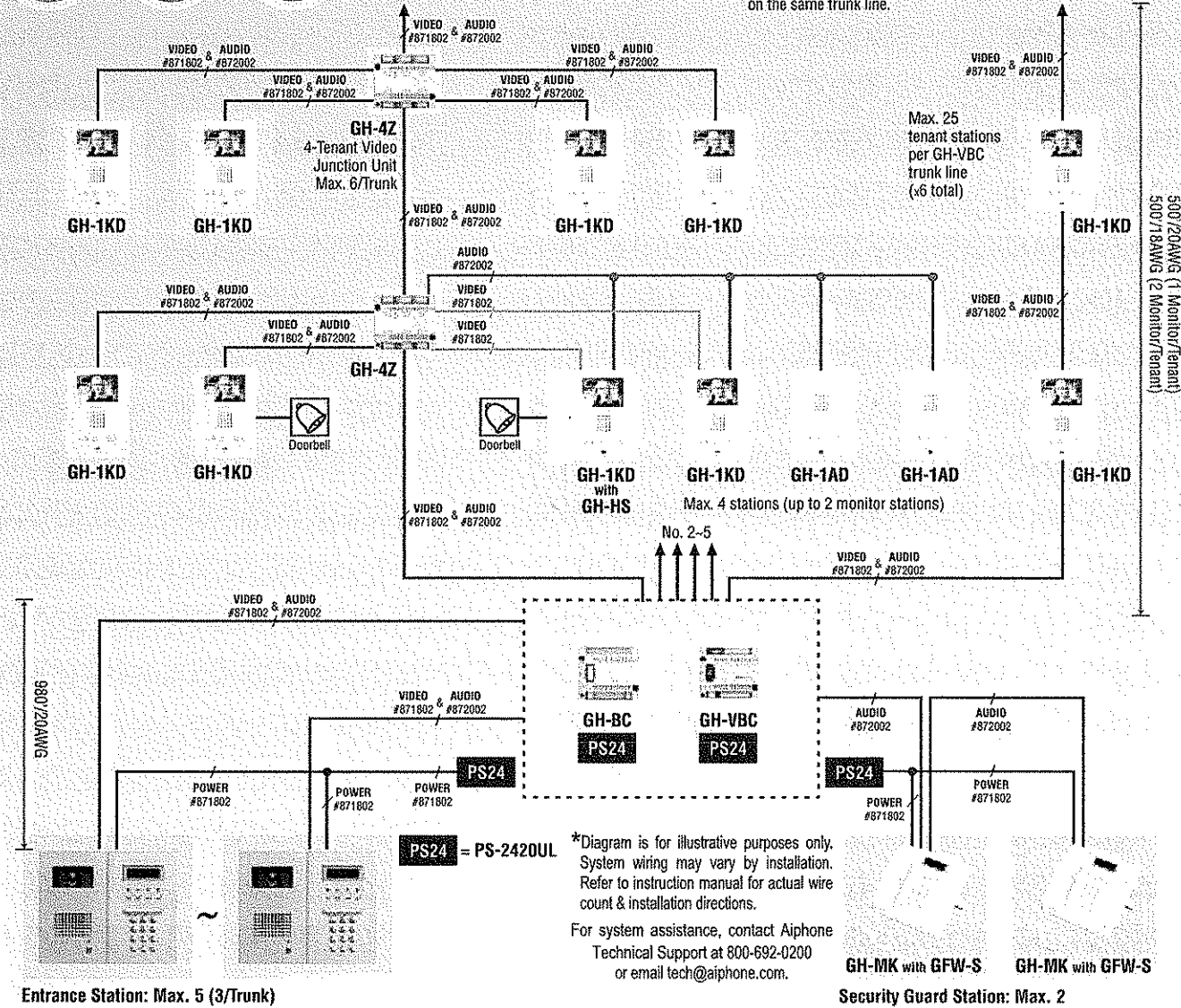
2
SECURITY
GUARD
STATIONS

48
TENANT
STATIONS

Homerun Wiring with GH-4Z
Trunk line No. 1

NOTE: Do not mix loop and
homerun wiring methods
on the same trunk line.

Loop Wiring
Trunk line No. 6



*Diagram is for illustrative purposes only.
System wiring may vary by installation.
Refer to instruction manual for actual wire
count & installation directions.

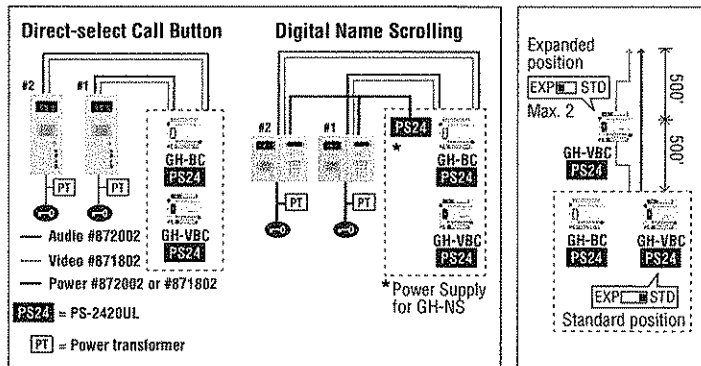
For system assistance, contact Aiphone
Technical Support at 800-692-0200
or email tech@aiphone.com.

GH-MK with GFW-S GH-MK with GFW-S
Security Guard Station: Max. 2

Wiring Distance

	22 AWG	20 AWG	18 AWG
GH-BC to Distribution point	—	16'	—
Distribution point to Entrance Station	—	980'	—
Distribution point to GH-MK	—	980'	—
Distribution point to farthest GH-1AD (Audio line)	—	980'	—
GH-VBC to farthest Monitor (Video line) 1 Monitor/Tenant	330'	500'	—
GH-VBC to farthest Monitor (Video line) 2 Monitors/Tenant	165'	330'	500'
GH-VBC (STD) to GH-VBC (EXP)	330'	500'	—
GH-BC/VBC to each Power Supply	—	16'	16'
GH-NS to Power Supply	—	980'	980'
GH-MK to Power Supply	—	980'	980'
Total cumulated wire distance (audio line)	—	8,200'	—

Entrance Station



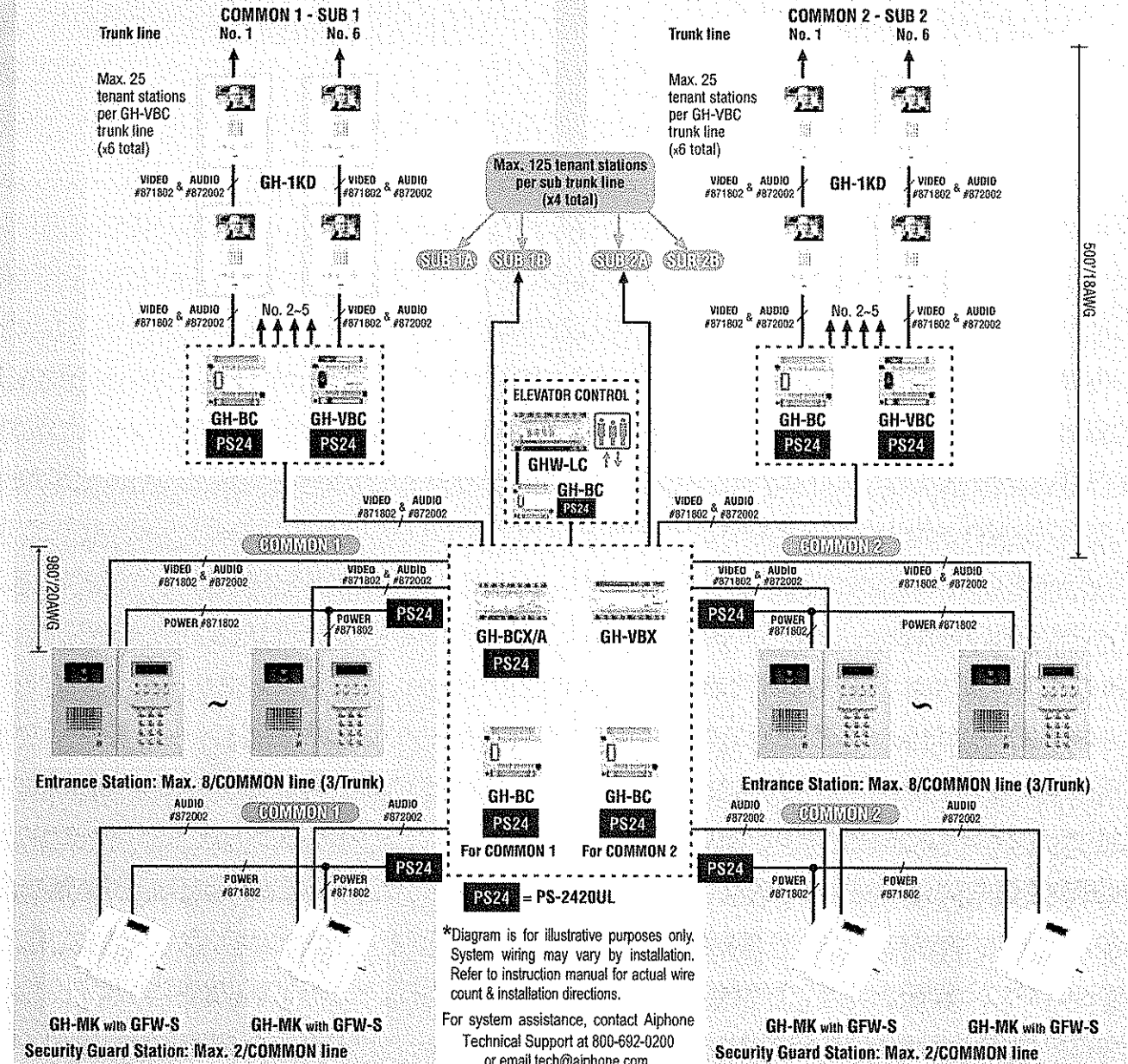
SYSTEM CAPABILITY

Expanded System

16
ENTERVISE
STATIONS

4
SECURITY
GUARD
STATIONS

500
TRUNK
CIRCUITS

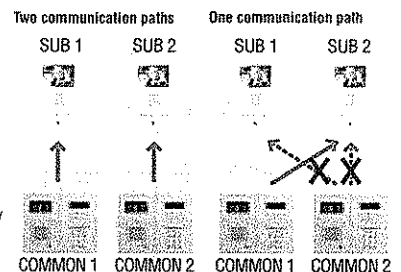


Wiring Distance

	22 AWG	20 AWG	18 AWG
GH-BCX/A to GH-BC	—	16'	—
GH-VBX to GH-VBC	—	16'	—
GH-BCX/A or GH-VBX to Entrance Station	500'	980'	—
GH-BCX/A to farthest GH-1AD (Audio line)	—	980'	—
GH-VBX to farthest Monitor (video line) 1 Monitor/Tenant	330'	500'	—
GH-VBC to farthest Monitor (video line) 2 Monitors/Tenant	165'	330'	500'
Cumulated total per COMMON trunk line (max. 2)	—	8,200'	—
Cumulated total per SUB trunk line (max. 4)	—	8,200'	—

Communication (talk and video) paths:

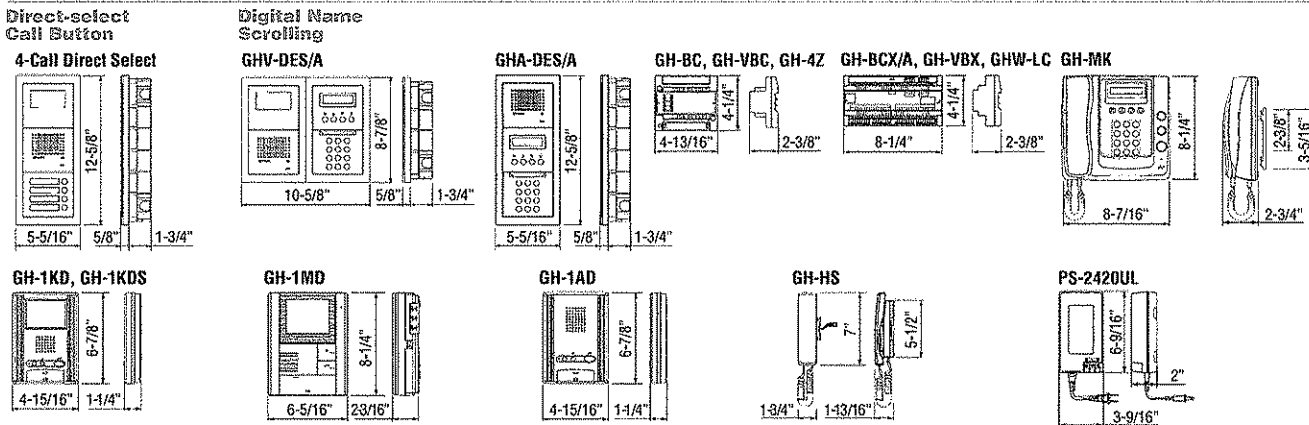
Communication paths on GH-BCX/A and GH-VBX are identified as "COMMON 1" and "COMMON 2". Each related COMMON-SUB trunk has its own communication path that can be used within itself for communication between Entrance and Tenant. Crossover to the other trunk is possible, but this will occupy both talk and video paths on both sub trunks. Security guard or concierge communication also occupies the entire system.



GH Series vs. GF Series

	GH Series	GF Series
Total Tenant Stations	500 tenant stations	250 tenant stations
Number of Tenant Stations within a Residence	Up to 4 stations (up to 2 video stations)	Up to 2 stations
Total Entrance Stations	16 stations	5 stations
Total Security Guard Stations	4 stations	2 stations
Wiring Distance (Entrance Station to GH-VBC)	980 feet	330 feet
Talk & Video Path	Secure single channel	Single channel, handset
Video Monitor	GH-1KD & GH-1KDS: 3.5 inch color LCD GH-1MD: 4 inch B&W CRT	4 inch B&W CRT
Type of Communication	Hands-free, voice-actuated or push-to-talk communication	Full-duplex with handset
Back Light for GH-NS & GH-MK	Vacuum Fluorescent Display	LCD with LED backlight
Visitor Screening	Available	Not available
Monitoring Entrance	Available from Tenant Station	Not available
Caller ID with Callback	Available, stores up to 20 calls	Not available
Additional Call Signaling Device at Tenant Station	Available with GH-RY Relay	Available with modifications
Selective Contacts	Available with GHW-LC Multi-Relay Control Unit (GH Expanded System only)	Not available
Link Programming	Program single entrance station or security guard station and transfer data to others	Program each entrance station & security guard station individually
Save Link Information to PC	Available - upload & download with Tenant information	Not available
Programmable Room No. Displayed on GH-NS & GH-MK	From 1 to 6 digits, alpha-numeric	3 or 4 digit, numeric only

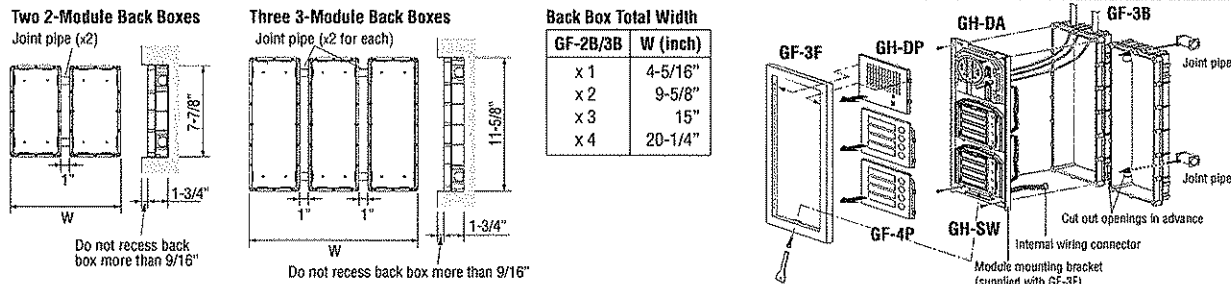
Unit Dimensions



Specifications

Power Supply	24V DC - Use PS-2420UL
Current Consumption	GH-BC: 0.9 A GH-VBC: 0.9 A GH-NS: 0.13 A GH-MK: 0.18 A GH-BCX/A: 0.35 A
Call Tone	There are three different types of call tones: from entrance station, security guard station, and doorbell
Talk & Video Path	Secure single channel
Communication	Hands-free, voice-actuated communication or push-to-talk communication
Door Release	Connecting terminals: between ELM - ELC (N/O) and ELB - ELC (N/C) Specifications: less than 4A (resistance load), 24V AC/DC, dry closure contact
Wiring	Two conductor cables (Aiphone #872002 for audio and Aiphone #871802 for video)
Type of Cables	Pair cable (solid wire - not stranded), polyethylene insulated, low cap, diameter 20AWG-18AWG

Back Box Dimensions



Distributed by:



Aiphone Corporation

1700 130th Ave. NE

Bellevue, WA 98005

Phone: (800) 692-0200

Fax: (425) 455-0071

www.aiphone.com/gh.htm

#94214

GH Brochure 5/09
Printed in the USA



GS-35F-0065L

ISO-14001
Certified



Aiphone Co. Ltd.

ISO 9001:2000
Certified



Aiphone Corp.

Deming
Prize

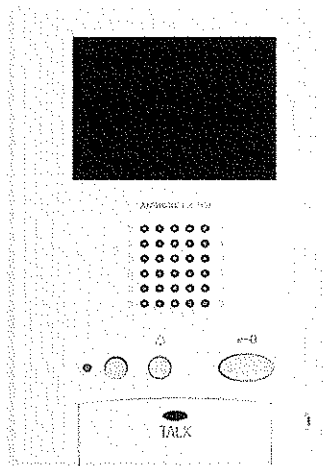


Aiphone Co. Ltd.

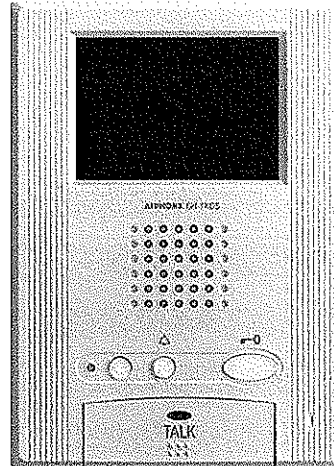
GH-1KD / GH-1KDS

Audio/Video Tenant Station for the GH Series

GH-1KD



GH-1KDS



DESCRIPTION:

The GH-1KD(S) is an audio/video tenant station for the GH series Multi-Unit entry system. It is equipped with a Talk, Door Release, and optional service button. When a visitor calls, the tenant stations rings and video is present. The call is answered by one touch of the Talk button.

The GH-1KD(S) also has the capability of calling the Concierge/Security Guard stations(s), turning on a light while speaking with a visitor at the entrance, receiving an emergency tone from a panic call station, and releasing a door.

The GH-1KD(S) is designed to be surface mounted and has a slim, streamlined design. Up to four units can be used in the same tenant location (2 audio/video and 2 audio only).

Communication is hands-free at the entrance station when a tenant answers the call, and is either VOX hands-free or push-to-talk at the tenant station when speaking with the visitor.

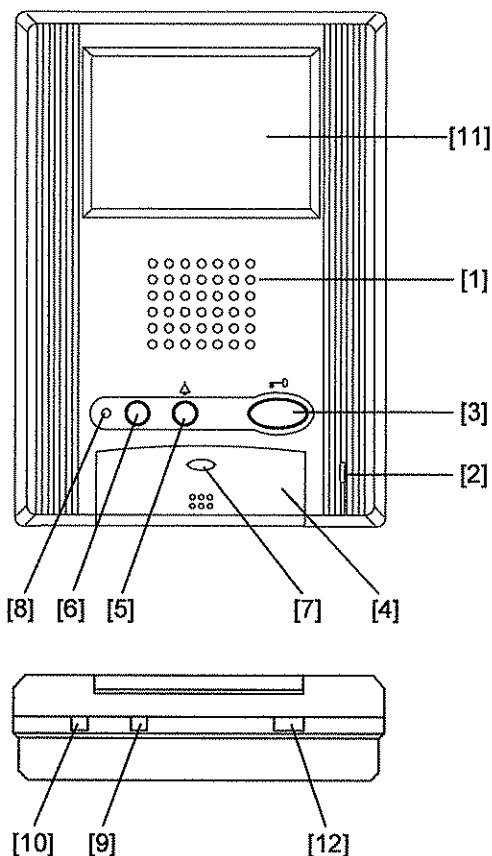
FEATURES:

- Hands-free audio communication
- Door release to the door where communication is established
- Call to Security Guard / Concierge station
- Optional individual doorbell rings unique tone, notifying resident that someone is at their door.
- Optional activation of outside light while talking to entrance station
- Optional connection of panic call station (GFK-PS), alerting with tone and call to Concierge
- Entrance monitoring
- Separate volume controls for call tone and communication
- Optional handset for privacy for GH-1KD only (GH-HS)
- Simple 2 separate pair common bus wiring (2 conductor for audio, 2 conductor for video)
- Surface mounts to wall on 1-gang box or ring
- ABS plastic construction

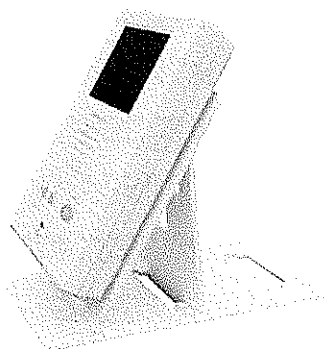
GH-1KD / GH-1KDS

Audio/Video Tenant Station for GH Series

FEATURE CALL-OUTS:



GH-1KD with optional desk stand:
Model MCW-S/A (adjustable to 45° or 60° angle)



FEATURE CALL-OUT DEFINITIONS:

- [1] Speaker
- [2] Microphone
- [3] Door release button
- [4] Talk button
- [5] Light button / Security guard station call button
- [6] Service button (option)
The service button is standard equipment with the GH-1AD-SB.
- [7] Talk LED
- [8] Call tone off LED
- [9] Receive volume control
- [10] Call tone volume control
- [11] Video monitor 3.5 inch color LCD
- [12] Monitor brightness control

SPECIFICATIONS:

- Power Source: Supplied by system
- Call: Varying ring tones from entrance panel, concierge, or doorbell
- Communication: Hands-free (VOX) after TALK button is pressed once, or push-to-talk
- Capacity: Max. 4 tenant stations per resident location (2 Audio/Video, 2 audio only)
- Wire: Two 2-conductor cables, PE insulation, common bus
Audio Wire: Aiphone #872002
Video Wire: Aiphone #871802
- Wiring Distance: GH-VBC to farthest Tenant (Video line): 500' with 18AWG
- Talk Path: Single channel with privacy
- Color: GH-1KD - White
GH-1KDS - Silver
- Operating Temp: 32 – 104° F (0 ~ 40° C)
- Dimensions (HxWxD): 6-7/8" x 4-15/16" x 1-1/4"
(175 x 125 x 32 mm)
- Weight: 0.9 lbs (400g)

THIS POWER OF ATTORNEY SUPERCEDES ANY PREVIOUS POWER BEARING THIS SAME POWER # AND ISSUED PRIOR TO 06/25/08, FOR ANY PERSON OR PERSONS NAMED BELOW.

POWER NO. 4752152-06

General Power of Attorney

Westfield Insurance Co. Westfield National Insurance Co. Ohio Farmers Insurance Co. Westfield Center, Ohio

CERTIFIED COPY

Know All Men by These Presents, That WESTFIELD INSURANCE COMPANY, WESTFIELD NATIONAL INSURANCE COMPANY and OHIO FARMERS INSURANCE COMPANY, corporations, hereinafter referred to individually as a "Company" and collectively as "Companies," duly organized and existing under the laws of the State of Ohio, and having its principal office in Westfield Center, Medina County, Ohio, do, by these presents make, constitute and appoint LARRY D. KERR, GREGORY T. GORDON, STEPHEN B. STODDEN, PATRICIA A. MOYE, ALLAN L. MC VEY, KIMBERLY J. WILKINSON, JOINTLY OR SEVERALLY

of CHARLESTON and State of WV its true and lawful Attorney(s)-in-Fact, with full power and authority hereby conferred in its name, place and stead, to execute, acknowledge and deliver any and all bonds, recognizances, undertakings, or other instruments or contracts of suretyship.

LIMITATION: THIS POWER OF ATTORNEY CANNOT BE USED TO EXECUTE NOTE GUARANTEE, MORTGAGE DEFICIENCY, MORTGAGE GUARANTEE OR BANK DEPOSITORY BONDS.

and to bind any of the Companies thereby as fully and to the same extent as if such bonds were signed by the President, sealed with the corporate seal of the applicable Company and duly attested by its Secretary, hereby ratifying and confirming all that the said Attorney(s)-in-Fact may do in the premises. Said appointment is made under and by authority of the following resolution adopted by the Board of Directors of each of the WESTFIELD INSURANCE COMPANY, WESTFIELD NATIONAL INSURANCE COMPANY and OHIO FARMERS INSURANCE COMPANY:

"Be it Resolved, that the President, any Senior Executive, any Secretary or any Fidelity & Surety Operations Executive or other Executive shall be and is hereby vested with full power and authority to appoint any one or more suitable persons as Attorney(s)-in-Fact to represent and act for and on behalf of the Company subject to the following provisions:

The Attorney-in-Fact may be given full power and authority for and in the name of and on behalf of the Company, to execute, acknowledge and deliver, any and all bonds, recognizances, contracts, agreements of indemnity and other conditional or obligatory undertakings and any and all notices and documents canceling or terminating the Company's liability thereunder, and any such instruments so executed by any such Attorney-in-Fact shall be as binding upon the Company as if signed by the President and sealed and attested by the Corporate Secretary."

"Be it Further Resolved, that the signature of any such designated person and the seal of the Company heretofore or hereafter affixed to any power of attorney or any certificate relating thereto by facsimile, and any power of attorney or certificate bearing facsimile signatures or facsimile seal shall be valid and binding upon the Company with respect to any bond or undertaking to which it is attached." (Each adopted at a meeting held on February 8, 2009).

In Witness Whereof, WESTFIELD INSURANCE COMPANY, WESTFIELD NATIONAL INSURANCE COMPANY and OHIO FARMERS INSURANCE COMPANY have caused these presents to be signed by their Senior Executive and their corporate seals to be hereto affixed this 25th day of JUNE A.D., 2008.

Corporate Seals Affixed



WESTFIELD INSURANCE COMPANY WESTFIELD NATIONAL INSURANCE COMPANY OHIO FARMERS INSURANCE COMPANY

Richard L. Kinnaird, Jr.

By: Richard L. Kinnaird, Jr., Senior Executive

State of Ohio County of Medina ss:

On this 25th day of JUNE A.D., 2008, before me personally came Richard L. Kinnaird, Jr. to me known, who, being by me duly sworn, did depose and say, that he resides in Medina, Ohio; that he is Senior Executive of WESTFIELD INSURANCE COMPANY, WESTFIELD NATIONAL INSURANCE COMPANY and OHIO FARMERS INSURANCE COMPANY, the companies described in and which executed the above instrument; that he knows the seals of said Companies; that the seals affixed to said instrument are such corporate seals; that they were so affixed by order of the Boards of Directors of said Companies; and that he signed his name thereto by like order.

Notarial Seal Affixed



William J. Kahelin, Attorney at Law, Notary Public. My Commission Does Not Expire (Sec. 147.03 Ohio Revised Code)

State of Ohio County of Medina ss:

I, Frank A. Carrino, Secretary of WESTFIELD INSURANCE COMPANY, WESTFIELD NATIONAL INSURANCE COMPANY and OHIO FARMERS INSURANCE COMPANY, do hereby certify that the above and foregoing is a true and correct copy of a Power of Attorney, executed by said Companies, which is still in full force and effect; and furthermore, the resolutions of the Boards of Directors, set out in the Power of Attorney are in full force and effect.

In Witness Whereof, I have hereto set my hand and affixed the seals of said Companies at Westfield Center, Ohio, this 13th day of May A.D., 2010.

May



Frank A. Carrino Secretary



State of West Virginia
DRUG FREE WORKPLACE CONFORMANCE AFFIDAVIT
West Virginia Code §21-1D-5

STATE OF West Virginia

COUNTY OF Kanawha, TO-WIT:

I, Sandy Keener, after being first duly sworn, depose and state as follows:

- 1. I am an employee of Electronic Specialty Company; and,
(Company Name)
- 2. I do hereby attest that Electronic Specialty Company
(Company Name)

maintains a valid written drug free workplace policy and that such policy is in compliance with **West Virginia Code** §21-1D-5.

The above statements are sworn to under the penalty of perjury.

Electronic Specialty Company
(Company Name)

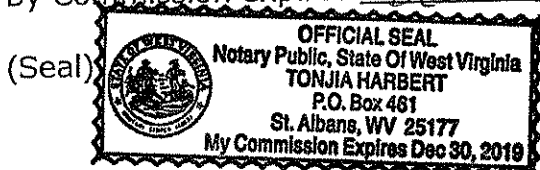
By: Sandy Keener *Sandy Keener*

Title: Administrative Assistant

Date: 5/12/2010

Taken, subscribed and sworn to before me this 12 day of May, 2010

By Commission expires December 30, 2019



Tonjia Harbert
(Notary Public)

THIS AFFIDAVIT MUST BE SUBMITTED WITH THE BID IN ORDER TO COMPLY WITH WV CODE PROVISIONS. FAILURE TO INCLUDE THE AFFIDAVIT WITH THE BID SHALL RESULT IN DISQUALIFICATION OF THE BID.

STATE OF WEST VIRGINIA
Purchasing Division

PURCHASING AFFIDAVIT

West Virginia Code §5A-3-10a states: No contract or renewal of any contract may be awarded by the state or any of its political subdivisions to any vendor or prospective vendor when the vendor or prospective vendor or a related party to the vendor or prospective vendor is a debtor and the debt owed is an amount greater than one thousand dollars in the aggregate.

DEFINITIONS:

"Debt" means any assessment, premium, penalty, fine, tax or other amount of money owed to the state or any of its political subdivisions because of a judgment, fine, permit violation, license assessment, defaulted workers' compensation premium, penalty or other assessment presently delinquent or due and required to be paid to the state or any of its political subdivisions, including any interest or additional penalties accrued thereon.

"Debtor" means any individual, corporation, partnership, association, limited liability company or any other form or business association owing a debt to the state or any of its political subdivisions. "Political subdivision" means any county commission; municipality; county board of education; any instrumentality established by a county or municipality; any separate corporation or instrumentality established by one or more counties or municipalities, as permitted by law; or any public body charged by law with the performance of a government function or whose jurisdiction is coextensive with one or more counties or municipalities. "Related party" means a party, whether an individual, corporation, partnership, association, limited liability company or any other form or business association or other entity whatsoever, related to any vendor by blood, marriage, ownership or contract through which the party has a relationship of ownership or other interest with the vendor so that the party will actually or by effect receive or control a portion of the benefit, profit or other consideration from performance of a vendor contract with the party receiving an amount that meets or exceeds five percent of the total contract amount.

EXCEPTION: The prohibition of this section does not apply where a vendor has contested any tax administered pursuant to chapter eleven of this code, workers' compensation premium, permit fee or environmental fee or assessment and the matter has not become final or where the vendor has entered into a payment plan or agreement and the vendor is not in default of any of the provisions of such plan or agreement.

Under penalty of law for false swearing (*West Virginia Code §61-5-3*), it is hereby certified that the vendor affirms and acknowledges the information in this affidavit and is in compliance with the requirements as stated.

WITNESS THE FOLLOWING SIGNATURE

Vendor's Name: Electronic Specialty Company

Authorized Signature: *[Signature]* Date: 5/12/2010

State of WV

County of KANAWHA, to-wit:

Taken, subscribed, and sworn to before me this 12 day of May, 2010

My Commission expires December 30, 2019.

AFFIX SEAL HERE

NOTARY PUBLIC *[Signature]*

