



State of West Virginia
 Department of Administration
 Purchasing Division
 2019 Washington Street East
 Post Office Box 50130
 Charleston, WV 25305-0130

Request for Quotation

RFQ NUMBER
DNR210144

PAGE
1

ADDRESS CORRESPONDENCE TO ATTENTION OF
**KRISTA FERRELL
 304-558-2596**

***709022058 800-848-7556**
SERVICE SUPPLY LTD
1524 SOUTH HAMILTON RD
COLUMBUS OH 43227

DIVISION OF NATURAL RESOURCES
BERWIND LAKE WMA
ATTN: PARK SUPERINTENDENT
POST OFFICE BOX 38
WARRIORMINE, WV
24894 875-4663

DATE PRINTED	TERMS OF SALE	SHIP VIA	F.O.B.	FREIGHT TERMS
02/03/2010				

BID OPENING DATE: **03/03/2010** BID OPENING TIME **01:30PM**

LINE	QUANTITY	UOP	CAT NO	ITEM NUMBER	UNIT PRICE	AMOUNT
0001	1	LS		650-38		\$34,068.00
<p>PLAYGROUND EQUIPMENT BERWIND WMA</p> <p>REQUEST FOR QUOTATION (RFQ)</p> <p>THE WEST VIRGINIA DIVISION OF PURCHASING FOR THE AGENCY, THE WEST VIRGINIA DIVISION OF NATURAL RESOURCES, IS SOLICITING BIDS TO PROVIDE THE AGENCY WITH PLAYGROUND EQUIPMENT FOR THE BERWIND WILDLIFE MANAGEMENT AREA LOCATED IN WARRIORMINE, WEST VIRGINIA PER THE ATTACHED SPECIFICATIONS.</p> <p>TECHNICAL QUESTIONS MUST BE SUBMITTED IN WRITING TO BY ADDENDUM AFTER THE DEADLINE HAS LAPSED.</p> <p>QUESTIONS CONCERNING THE ACTUAL PROCESS BY WHICH A VENDOR MAY SUBMIT A BID TO THE STATE OF WEST VIRGINIA ARE NOT CONSIDERED TO BE TECHNICAL QUESTIONS AND MAY BE SUBMITTED AT ANY TIME PRIOR TO THE BID OPENING AND IN ANY FORMAT.</p> <p>EXHIBIT 10</p> <p>REQUISITION NO.:</p> <p>ADDENDUM ACKNOWLEDGEMENT</p> <p>I HEREBY ACKNOWLEDGE RECEIPT OF THE FOLLOWING CHECKED</p>						

RECEIVED
 2010 MAR -2 A 10:03
 PURCHASING DIVISION
 STATE OF WV

SEE REVERSE SIDE FOR TERMS AND CONDITIONS			
SIGNATURE <i>Jerry Groves</i>	TELEPHONE 800-848-7556	DATE FEBRUARY 26, 2010	
TITLE JERRY GROVES VICE PRESIDENT	FEIN 31-1262459	ADDRESS CHANGES TO BE NOTED ABOVE	

WHEN RESPONDING TO RFQ, INSERT NAME AND ADDRESS IN SPACE ABOVE LABELED 'VENDOR'



State of West Virginia
 Department of Administration
 Purchasing Division
 2019 Washington Street East
 Post Office Box 50130
 Charleston, WV 25305-0130

Request for Quotation

RFQ NUMBER
DNR210144

PAGE
2

ADDRESS CORRESPONDENCE TO ATTENTION OF
**KRISTA FERRELL
 304-558-2596**

VENDOR

*709022058 800-848-7556
 SERVICE SUPPLY LTD
 1524 SOUTH HAMILTON RD

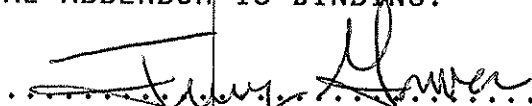
 COLUMBUS OH 43227

SHIP TO

DIVISION OF NATURAL RESOURCES
 BERWIND LAKE WMA
 ATTN: PARK SUPERINTENDENT
 POST OFFICE BOX 38
 WARRIORMINE, WV
 24894 875-4663

DATE PRINTED	TERMS OF SALE	SHIP VIA	F.O.B.	FREIGHT TERMS
02/03/2010				

BID OPENING DATE: **03/03/2010** BID OPENING TIME **01:30PM**

LINE	QUANTITY	UOP	CAT. NO.	ITEM NUMBER	UNIT PRICE	AMOUNT
<p>ADDENDUM(S) AND HAVE MADE THE NECESSARY REVISIONS TO MY PROPOSAL, PLANS AND/OR SPECIFICATION, ETC.</p> <p>ADDENDUM NO.'S:</p> <p>NO. 1</p> <p>NO. 2</p> <p>NO. 3</p> <p>NO. 4</p> <p>NO. 5</p> <p>I UNDERSTAND THAT FAILURE TO CONFIRM THE RECEIPT OF THE ADDENDUM(S) MAY BE CAUSE FOR REJECTION OF BIDS.</p> <p>VENDOR MUST CLEARLY UNDERSTAND THAT ANY VERBAL REPRESENTATION MADE OR ASSUMED TO BE MADE DURING ANY ORAL DISCUSSION HELD BETWEEN VENDOR'S REPRESENTATIVES AND ANY STATE PERSONNEL IS NOT BINDING. ONLY THE INFORMATION ISSUED IN WRITING AND ADDED TO THE SPECIFICATIONS BY AN OFFICIAL ADDENDUM IS BINDING.</p> <p style="text-align: right;">  SIGNATURE SERVICE SUPPLY LTD., INC..... COMPANY FEBRUARY 26, 2010..... DATE </p>						

SEE REVERSE SIDE FOR TERMS AND CONDITIONS

SIGNATURE 	TELEPHONE 800-848-7556	DATE FEBRUARY 26, 2010
TITLE JERRY GROVES VICE PRESIDENT	FAX 31-1262459	ADDRESS CHANGES TO BE NOTED ABOVE

WHEN RESPONDING TO RFQ, INSERT NAME AND ADDRESS IN SPACE ABOVE LABELED 'VENDOR'



State of West Virginia
 Department of Administration
 Purchasing Division
 2019 Washington Street East
 Post Office Box 50130
 Charleston, WV 25305-0130

Request for Quotation

RFQ NUMBER
DNR210144

PAGE
3

ADDRESS CORRESPONDENCE TO ATTENTION OF
KRISTA FERRELL 304-558-2596

VENDOR

*709022058 800-848-7556
 SERVICE SUPPLY LTD
 1524 SOUTH HAMILTON RD
 COLUMBUS OH 43227

SHIP TO

DIVISION OF NATURAL RESOURCES
 BERWIND LAKE WMA
 ATTN: PARK SUPERINTENDENT
 POST OFFICE BOX 38
 WARRIORMINE, WV
 24894 875-4663

DATE PRINTED	TERMS OF SALE	SHIP VIA	F.O.B.	FREIGHT TERMS
02/03/2010				

BID OPENING DATE: 03/03/2010 BID OPENING TIME 01:30PM

LINE	QUANTITY	UOP	CAT NO	ITEM NUMBER	UNIT PRICE	AMOUNT
<p>NOTE: THIS ADDENDUM ACKNOWLEDGEMENT SHOULD BE SUBMITTED WITH THE BID.</p> <p>REV. 09/21/2009</p> <p>THE MODEL/BRAND/SPECIFICATIONS NAMED HEREIN ESTABLISH THE ACCEPTABLE LEVEL OF QUALITY ONLY AND ARE NOT INTENDED TO REFLECT A PREFERENCE OR FAVOR ANY PARTICULAR BRAND OR VENDOR. VENDORS WHO ARE BIDDING ALTERNATES SHOULD SO STATE AND INCLUDE PERTINENT LITERATURE AND SPECIFICATIONS. FAILURE TO PROVIDE INFORMATION FOR ANY ALTERNATES MAY BE GROUNDS FOR REJECTION OF THE BID. THE STATE RESERVES THE RIGHT TO WAIVE MINOR IRREGULARITIES IN BIDS OR SPECIFICATIONS IN ACCORDANCE WITH SECTION 148-1-4(F) OF THE WEST VIRGINIA LEGISLATIVE RULES AND REGULATIONS.</p> <p>APPLICABLE LAW</p> <p>THE WEST VIRGINIA STATE CODE, PURCHASING DIVISION RULES AND REGULATIONS, AND THE INFORMATION PROVIDED IN THE "REQUEST FOR QUOTATION" ISSUED BY THE PURCHASING DIVISION IS THE SOLE AUTHORITY GOVERNING THIS PROCUREMENT.</p> <p>ANY INFORMATION PROVIDED IN SPECIFICATION MANUALS, OR ANY OTHER SOURCE, VERBAL OR WRITTEN, WHICH CONTRADICTS OR ALTERS THE INFORMATION PROVIDED FROM THE SOURCES AS DESCRIBED IN THE ABOVE PARAGRAPH IS VOID AND OF NO EFFECT.</p> <p>BANKRUPTCY: IN THE EVENT THE VENDOR/CONTRACTOR FILES FOR BANKRUPTCY PROTECTION, THE STATE MAY DEEM THE CONTRACT NULL AND VOID, AND TERMINATE SUCH CONTRACT WITHOUT FURTHER ORDER.</p>						

SEE REVERSE SIDE FOR TERMS AND CONDITIONS

SIGNATURE	TELEPHONE	DATE
<i>Jerry Groves</i>	800-848-7556	FEBRUARY 26, 2010

TITLE	FAX	ADDRESS CHANGES TO BE NOTED ABOVE
JERRY GROVES VICE PRESIDENT	31-1262459	

WHEN RESPONDING TO RFQ, INSERT NAME AND ADDRESS IN SPACE ABOVE LABELED 'VENDOR'

DNR210144**Berwind Lake Wildlife Management Area
Playground Specifications**

To supply playground equipment to offer play activities for children ages two (2) to twelve (12) at Berwind Lake Wildlife Management Area, Warriormine West Virginia. Playground equipment will be purchased for three (3) separate areas in the park. Park personnel will install all playground equipment. The award may be split if it is in the best interest of the West Virginia Division of Natural Resources. All items must be F.O.B. Destination. Freight or delivery charges must be included in the price of the goods. Delivery must be made within ninety (90) days of purchase order award.

POOL AREA PLAYGROUND

Miracle tarantula climber, Model #4561, or equal. Climber must have a horizontal top ring of two rails with rungs; have four vertical support legs attached to the ring's inner rail; and have four vertical climber ladder assemblies attached to the ring's outer rail.

Miracle, 630° typhoon slide, Model #65759, or equal. Slide must be freestanding with a spiral one-piece open bed-way; have an enclosed platform a minimum of 9'4" in height; and have pvc-coated steel steps with handrails.

Miracle chipper squirrel "C" spring rider model #918, or equal. Rider must be freestanding and must allow for a traditional rocking horse type movement utilizing a flat strip style spring that has been formed into a "C" shape. Rider must have a footrest with an aluminum enamel finish and footrest caps with nickel chrome and the finish mounting frame must have a galvanized finish

Miracle pokey the snail "C" spring rider, Model #963, or equal. Rider must be freestanding and must allow for a traditional rocking horse type movement utilizing a flat strip style spring that has been formed into a "C" shape. Rider must have a footrest with an aluminum enamel finish and footrest caps with nickel chrome and the finish mounting frame must have a galvanized finish.

Miracle 5" OD arch tire swing complete model #714852, or equal. Swing frame must have two end arches; have a header; have clamps which assemble to form a swing frame; have swivel and tire assemblies attached to the frame by pvc-coated chains. Arch assembly must be constructed of a minimum of 5" tube; and tire assembly must swing to and fro and must rotate 360°.

Miracle 5" OD arch 2 bay swing frame 4 seats REQ MC, Model #7148524, or equal. Frame must have two end arches and one center arch; have an OD top rail to form a 2-bay swing frame; be constructed of a minimum of 5" tube.

DNR210144**Berwind Lake Wildlife Management Area
Playground Specifications**

Miracle the whirl (merry-go-round), Model #303, or equal. Whirl must have four u-shaped handrails atop a deck assembly that spins on a center hub; and have a speed governing device that is concealed and activated by centrifugal force.

ENTRANCE AREA PLAYGROUND

Miracle, peak climber, Model #4582a2, or equal. Freestanding climber must have a center post and ground-mounted inclined rails that contain a series of welded "U" loops on undersides.

Miracle 405° typhoon slide, Model #65749, or equal. Slide must be freestanding with a spiral one-piece open bed way; have an enclosed platform a minimum of 6' 3" in height; and have pvc coated steel steps with handrails.

Miracle twin rider, Model #6081, or equal. Rider must accommodate two children; have twin coin springs for four way rock and teeter; have a steel frame with aluminum seats; have a steel hand and floor rest; and have a Perma-guard finish. Each spring must have two spirals lock plates for attachment to the support arm and mounting frame.

OFFICE AREA PLAYGROUND

Miracle swing part slash proof seat with clevis, Model #284, or equal. Seat must be a flexible flat single strap with end attachment points and have a galvanized steel clip a minimum of 3" wide triangle at end of each seat.

Miracle swing part tot seat 360° with clevis model #299, or equal. Seat must be flexible and fabricated into a configuration of a wide strap under and through the bottom, a wide strap around the top and have two interconnecting straps at the front and rear of the seat for complete enclosure of a small child.

Miracle OD arch one bay swing frame with two (2) s/p seats MC, Model #7148522s, or equal. Swing frame must have two end arches with OD top rail to form a single bay swing frame; and frame must be constructed of a minimum of 5" tube.

ITEMS FOR ALL THREE PLAYGROUNDS

Engineered wood fiber or equal. Material must be recently harvested and debarked; free of chemical treatments and additives; free of soil, twigs, leaves and other contaminants.

DNR210144

**Berwind Lake Wildlife Management Area
Playground Specifications**

Geo-textile fabric, 2,250 sq. ft. roll, or equal. Fabric must provide a water permeable separation between the earth and the wood fiber and at least 150 gallons per square foot per minute.

Geo-textile fabric, 1,125 sq. ft. roll, or equal. Fabric must provide a water permeable separation between the earth and the wood fiber and at least 150 gallons per square foot per minute.

DNR210144

**Berwind Lake Wildlife Management Area
Playground Specifications**

All playground equipment and engineered wood fiber must meet the following requirements:

- Compliance with U.S. Consumer Product Safety Commission, Handbook for Public Playground Safety.
- Compliance with ASTM Standard F 1487.
- Compliance with Architectural and Transportation Barriers Compliance Board, Americans with Disabilities Act (ADA) Accessibility Guidelines for Buildings and Facilities; Play Areas.
- Compliance with Consumer Product Safety Improvement Act (CPSIA) Section 101 lead limits.

Vendors must submit the following attachments:

- Complete manufacturer's parts specifications and warranties.
- Layout drawing to scale of the proposed play structure or equipment.
- ASTM and CPSC Statement of Compliance

Warranties:

- All equipment and engineered wood fiber must be guaranteed to be free of defects in workmanship and material for a minimum of one year from date of acceptance. However, if manufacturer warranty periods are longer than the required minimum one year warranty, those warranties shall apply.

All playground equipment must include tamper proof fasteners to prevent theft and destruction.

Color scheme of equipment must be coordinated with Berwind Lake Wildlife Management Area. Color of items will be selected from manufacturer's standard colors.

DNR210144

Berwind Lake Wildlife Management Area

PLAYGROUND EQUIPMENT SHEET

Please complete the below information concerning the brand(s) of equipment being bid in relation to this project. If bidding "or equal" brands, please attach manufacturer's literature documenting that it meets the mandatory requirements stated in the specifications. Vendors should note the areas of the provided manufacturer's literature that adheres to the mandatory requirements outlined in the Request For Quotation.

Item No.	Equipment	Manufacturer	Model
1	Pool Area Playground Miracle tarantula climber, Model #4561, or equal.	LANDSCAPE STRUCTURES SKY RAIL CLIMBER	146813A
2	Pool Area Playground Miracle, 630° typhoon slide, Model #65759, or equal.	LANDSCAPE STRUCTURES SPYRO SLIDE	115366A
3	Pool Area Playground Miracle chipper squirrel "C" spring rider model #918, or equal.	LANDSCAPE STRUCTURES DOLPHIN PAGE 174	157293A-B
4	Pool Area Playground Miracle pokey the snail "C" spring rider, Model #963, or equal.	LANDSCAPE STRUCTURES SEA HORSE PAGE 174	157292A-B
5	Pool Area Playground Miracle 5" OD arch tire swing complete model #714852, or equal.	LANDSCAPE STRUCTURES ARCH TIRE SWING PAGE 181	120891A
6	Pool Area Playground Miracle 5" OD arch 2 bay swing frame 4 seats REQ MC, Model #7148524, or equal.	LANDSCAPE STRUCTURES SWING 4-SEAT	100050A & 111579A
7	Pool Area Playground Miracle the whirl (merry-go-round), Model #303, or equal.	SPORTSPLAY 8' DIAMETER	301-143
8	Entrance Area Playground Miracle, peak climber, Model #4582a2, or equal.	LANDSCAPE STRUCTURES SKY RAIL CLIMBER	146813A
9	Entrance Area Playground Miracle, 405° typhoon slide, Model #65749, or equal.	LANDSCAPE STRUCTURES SPYRO SLIDE	115366A
10	Entrance Area Playground Miracle twin rider, Model #6081, or equal.	LANDSCAPE STRUCTURES SEE SAW	148636A-B
11	Office Area Playground Miracle swing part slash proof seat with clevis, Model #284, or equal.	LANDSCAPE STRUCTURES SEAT	132385A

DNR210144

Berwind Lake Wildlife Management Area

PLAYGROUND EQUIPMENT SHEET

Item No.	Equipment	Manufacturer	Model
12	Office Area Playground Miracle swing part tot seat 360° with clevis model #299, or equal.	LANDSCAPE STRUCTURES SWING	100055A
13	Office Area Playground Miracle OD arch one bay swing frame with two (2) s/p seats MC, Model #7148522s, or equal.	LANDSCAPE STRUCTURES SWING 2-SEAT	100050A
14	Engineered wood fiber or equal.	ZEAGER BROS	WOOD FIBER
15	Geo-textilefabric, 2,250 sq. ft. roll, or equal.	ZEAGER BROS	GEO-TEXTILEFABRIC
16	Geo-textilefabric, 1,125 sq. ft. roll, or equal.	ZEAGER BROS	GEO-TEXTILEFABRIC

Berwind Lake Wildlife Management Area Playground Equipment

PRICING SHEET

Item No.	Quantity	Description	Unit Price	Amount
1	1	Pool Area Playground Miracle tarantula climber, Model #4561, or equal.	2,100.00	2,100.00
2	1	Pool Area Playground Miracle, 630° typhoon slide, Model #65759, or equal.	4,900.00	4,900.00
3	1	Pool Area Playground Miracle chipper squirrel "C" spring rider model #918, or equal.	940.00	940.00
4	1	Pool Area Playground Miracle pokey the snail "C" spring rider, Model #963, or equal.	940.00	940.00
5	1	Pool Area Playground Miracle 5" OD arch tire swing complete model #714852, or equal.	2,200.00	2,200.00
6	1	Pool Area Playground Miracle 5" OD arch 2 bay swing frame 4 seats REQ MC, Model #7148524, or equal.	3,040.00	3,040.00
7	1	Pool Area Playground Miracle the whirl (merry-go-round), Model #303, or equal.	2,800.00	2,800.00
8	1	Entrance Area Playground Miracle, peak climber, Model #4582a2, or equal.	2,100.00	2,100.00
9	1	Entrance Area Playground Miracle, 405° typhoon slide, Model #65749, or equal.	4,900.00	4,900.00
10	1	Entrance Area Playground Miracle twin rider, Model #6081, or equal.	1,500.00	1,500.00
11	4	Office Area Playground Miracle swing part slash proof seat with clevis, Model #284, or equal.	48.00	192.00
12	2	Office Area Playground Miracle swing part tot seat 360° with clevis model #299, or equal.	180.00	360.00

Berwind Lake Wildlife Management Area Playground Equipment
PRICING SHEET

Item No.	Quantity	Description	Unit Price	Amount
13	1	Office Area Playground Miracle OD arch one bay swing frame with two (2) s/p seats MC, Model #7148522s, or equal.	2,070.00	2,070.00
14	5,800 sq. ft.	Engineered wood fiber or equal.	.87	5,046.00
15	2	Geo-textile fabric, 2,250 sq. ft. roll, or equal.	330.00	660.00
16	1	Geo-textile fabric, 1,125 sq. ft. roll, or equal.	330.00	330.00
		TOTAL		34,078.00

CONTRACTOR LICENSE

Authorized by the

West Virginia Contractor Licensing Board

Number: WV013333

Classification:

SPECIALTY

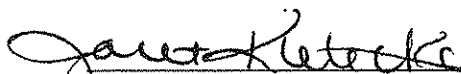
SERVICE SUPPLY LTD INC
DBA SERVICE SUPPLY LTD INC
1524 S HAMILTON RD
COLUMBUS, OH 43227-2493


Date Issued

JANUARY 24, 2010

Expiration Date

JANUARY 24, 2011


Authorized Company Signature


Chair, West Virginia Contractor
Licensing Board

WEST VIRGINIA
CONTRACTOR
LICENSING
BOARD

This license, or a copy thereof, must be posted in a conspicuous place at every construction site where work is being performed. This license number must appear in all advertisements, on all bid submissions and on all fully executed and binding contracts. This license cannot be assigned or transferred by licensee. Issued under provisions of West Virginia Code, Chapter 21, Article 11.



**WORKERS COMPENSATION
AND
EMPLOYERS LIABILITY POLICY**

INFORMATION PAGE WC 00 00 01 (A)

RENEWAL OF POLICY NUMBER: WC10102907-05
POLICY NUMBER: WC10102907-06

INSURER: BRICKSTREET MUTUAL INSURANCE COMPANY

- | | |
|--|--|
| <p>1. INSURED:
SERVICE SUPPLY LTD INC
1524 SOUTH HAMILTON ROAD
COLUMBUS, OH 43227</p> | <p>PRODUCER:
BRICKSTREET MUTUAL INSURANCE
COMPANY
400 QUARRIER STREET
CHARLESTON, WV 25301-2010</p> |
|--|--|

Insured is a(n) CORPORATION

Other work places and identification numbers are shown in the schedule(s) attached.

2. The policy period is from 11/30/2009 to 11/30/2010 12:01 A.M. at the insured's mailing address.

3. **A. WORKERS COMPENSATION INSURANCE:** Part One of the policy applies to the Workers Compensation Law of the state(s) listed here:

WEST VIRGINIA

B. EMPLOYERS LIABILITY INSURANCE: Part Two of the policy applies to work in each state listed in item 3.A. The limits of our liability under Part Two are:

Bodily Injury by Accident:	\$100,000	Each Accident
Bodily Injury by Disease:	\$500,000	Policy Limit
Bodily Injury by Disease:	\$100,000	Each Employee

C. OTHER STATES INSURANCE: Part Three of the policy applies to the states, if any, listed here:

See West Virginia Limited Other States Insurance Endorsement WC 99 03 05

D. This policy includes these endorsements and schedules:

SEE LIST OF ENDORSEMENTS - EXTENSION OF INFORMATION PAGE

4. The premium for this policy will be determined by our Manuals of Rules, Classifications, Rates and Rating Plans. All required information is subject to verification and change by audit to be made in accordance with Part Five of the Policy.

DATE OF ISSUE: 12/23/2009

ISSUING OFFICE: Charleston, WV

PRODUCER: BRICKSTREET MUTUAL INSURANCE COMPANY

ACORD CERTIFICATE OF LIABILITY INSURANCE

DATE (MM/DD/YYYY)
11/19/2009

PRODUCER Phone: 6168783351 Fax: 8008473129
The Campbell Group
PO Box 1788
Grand Rapids MI 49501

THIS CERTIFICATE IS ISSUED AS A MATTER OF INFORMATION ONLY AND CONFERS NO RIGHTS UPON THE CERTIFICATE HOLDER. THIS CERTIFICATE DOES NOT AMEND, EXTEND OR ALTER THE COVERAGE AFFORDED BY THE POLICIES BELOW.

INSURED
Service Supply Ltd Inc
1524 S Hamilton Road
Columbus OH 43227

INSURERS AFFORDING COVERAGE	NAIC #
INSURER A: Continental Casualty Co	20443
INSURER B: American Casualty Co of Read	
INSURER C: Transportation Insurance Co	20494
INSURER D:	
INSURER E:	

COVERAGES

THE POLICIES OF INSURANCE LISTED BELOW HAVE BEEN ISSUED TO THE INSURED NAMED ABOVE FOR THE POLICY PERIOD INDICATED. NOTWITHSTANDING ANY REQUIREMENT, TERM OR CONDITION OF ANY CONTRACT OR OTHER DOCUMENT WITH RESPECT TO WHICH THIS CERTIFICATE MAY BE ISSUED OR MAY PERTAIN, THE INSURANCE AFFORDED BY THE POLICIES DESCRIBED HEREIN IS SUBJECT TO ALL THE TERMS, EXCLUSIONS AND CONDITIONS OF SUCH POLICIES. AGGREGATE LIMITS SHOWN MAY HAVE BEEN REDUCED BY PAID CLAIMS.

INSR ADD'L LTR INSRD	TYPE OF INSURANCE	POLICY NUMBER	POLICY EFFECTIVE DATE (MM/DD/YY)	POLICY EXPIRATION DATE (MM/DD/YY)	LIMITS
B	GENERAL LIABILITY <input checked="" type="checkbox"/> COMMERCIAL GENERAL LIABILITY CLAIMS MADE <input checked="" type="checkbox"/> OCCUR GEN'L AGGREGATE LIMIT APPLIES PER: POLICY <input checked="" type="checkbox"/> PRO-JECT <input type="checkbox"/> LOC	2088184534	12/10/2009	12/10/2010	EACH OCCURRENCE \$1,000,000 DAMAGE TO RENTED PREMISES (Ea occurrence) \$100,000 MED EXP (Any one person) \$5,000 PERSONAL & ADV INJURY \$1,000,000 GENERAL AGGREGATE \$2,000,000 PRODUCTS - COMP/OP AGG \$2,000,000
C	AUTOMOBILE LIABILITY <input checked="" type="checkbox"/> ANY AUTO <input type="checkbox"/> ALL OWNED AUTOS <input type="checkbox"/> SCHEDULED AUTOS <input checked="" type="checkbox"/> HIRED AUTOS <input checked="" type="checkbox"/> NON-OWNED AUTOS	2088184498	12/10/2009	12/10/2010	COMBINED SINGLE LIMIT (Ea accident) \$1,000,000 BODILY INJURY (Per person) \$ BODILY INJURY (Per accident) \$ PROPERTY DAMAGE (Per accident) \$ GARAGE LIABILITY <input type="checkbox"/> ANY AUTO AUTO ONLY - EA ACCIDENT \$ OTHER THAN EA ACC \$ AUTO ONLY: AGG \$
A	EXCESS/UMBRELLA LIABILITY <input checked="" type="checkbox"/> OCCUR <input type="checkbox"/> CLAIMS MADE DEDUCTIBLE <input checked="" type="checkbox"/> RETENTION \$10,000	2088184453	12/10/2009	12/10/2010	EACH OCCURRENCE \$2,000,000 AGGREGATE \$2,000,000 \$ \$ \$ WC STATUTORY LIMITS OTH-ER
	WORKERS COMPENSATION AND EMPLOYERS' LIABILITY ANY PROPRIETOR/PARTNER/EXECUTIVE OFFICER/MEMBER EXCLUDED? If yes, describe under SPECIAL PROVISIONS below				E.L. EACH ACCIDENT \$ E.L. DISEASE - EA EMPLOYEE \$ E.L. DISEASE - POLICY LIMIT \$
B	OTHER Installation Floater	2088184534	12/10/2009	12/10/2010	\$120,000

DESCRIPTION OF OPERATIONS / LOCATIONS / VEHICLES / EXCLUSIONS ADDED BY ENDORSEMENT / SPECIAL PROVISIONS

CERTIFICATE HOLDER

Service Supply Ltd Inc
1524 South Hamilton Road
Columbus OH 43227

CANCELLATION

SHOULD ANY OF THE ABOVE DESCRIBED POLICIES BE CANCELLED BEFORE THE EXPIRATION DATE THEREOF, THE ISSUING INSURER WILL ENDEAVOR TO MAIL 30 DAYS WRITTEN NOTICE TO THE CERTIFICATE HOLDER NAMED TO THE LEFT, BUT FAILURE TO DO SO SHALL IMPOSE NO OBLIGATION OR LIABILITY OF ANY KIND UPON THE INSURER, ITS AGENTS OR REPRESENTATIVES.

AUTHORIZED REPRESENTATIVE

Donna Fitzpatrick

IMPORTANT

If the certificate holder is an **ADDITIONAL INSURED**, the policy(ies) must be endorsed. A statement on this certificate does not confer rights to the certificate holder in lieu of such endorsement(s).

If **SUBROGATION IS WAIVED**, subject to the terms and conditions of the policy, certain policies may require an endorsement. A statement on this certificate does not confer rights to the certificate holder in lieu of such endorsement(s).

DISCLAIMER

The Certificate of Insurance on the reverse side of this form does not constitute a contract between the issuing insurer(s), authorized representative or producer, and the certificate holder, nor does it affirmatively or negatively amend, extend or alter the coverage afforded by the policies listed thereon.



Bureau of Workers' Compensation

30 W. Spring St.
Columbus, OH 43215

Certificate of Premium Payment

This certifies the employer listed below has paid into the Ohio State Insurance Fund as required by law. Therefore, the employer is entitled to the rights and benefits of the fund for the period specified. For more information, call 1-800-OHIOBWC.

This certificate must be conspicuously posted.

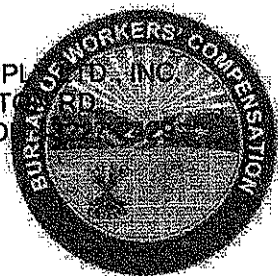
Policy No. and Employer

Period Specified Below

406937

01/01/2010 Thru 08/31/2010

SERVICE SUPPLY, INC.
1524 S HAMILTON RD
COLUMBUS, OH



ohiobwc.com

Michele P. Ryan
Administrator

You can reproduce this certificate as needed.

Ohio Bureau of Workers' Compensation

Required Posting

Effective Oct. 13, 2004, Section 4123.54 of the Ohio Revised Code requires notice of rebuttable presumption. Rebuttable presumption means an employee may dispute or prove untrue the presumption (or belief) that alcohol or a controlled substance not prescribed by the employee's physician is the proximate cause (main reason) of the work-related injury.

The burden of proof is on the employee to prove the presence of alcohol or a controlled substance was not the proximate cause of the work-related injury. An employee who tests positive or refuses to submit to chemical testing may be disqualified for compensation and benefits under the Workers' Compensation Act.



Bureau of Workers' Compensation

You must post this language with the certificate of premium payment.

[Home](#) | [Injured Workers](#) | [Ohio Employers](#) | [Medical Providers](#) | [BWC Library](#) | [Contact Us](#)



Ohio Bureau of Workers' Compensation

Governor, Ted Strickland
Administrator/CEO Marsha P. Ryan

Focus on
Ohio Employers

- [Accident/Injury Info »](#)
- [Claim Info »](#)
- [Claim Payment »](#)
- [Claim Reference Info »](#)
- [Coverage look-up](#)
- [Employer Services »](#)
- [Quick Pay](#)
- [Safety Services »](#)
- [Self-Insured »](#)
- [Forms](#)
- [Section Map](#)

Live support available
Monday through Friday
7:30 a.m. - 5:30 p.m.
[Click here to get help!](#)

log on

[?](#) help [print](#) [search](#) [glossary](#) [cc](#)

Service: State construction contractor search results

Policy number: 406937-0
Company name: SERVICE SUPPLY LTD., INC.
Construction contractor status: APPROVED
Construction contractor status date: 5/4/2007 12:00:00 AM

[search again](#)

Note: BWC has designed this database for those responsible for ensuring that a construction contractor or subcontractor has a drug-free program that complies with the governor's executive order requiring a drug-free workplace. A contractor or subcontractor in an APPROVED status has agreed to implement a drug-free workplace program which makes the company compliant with the governor's executive order. Therefore, you can print this page for your records.

Click the Help tab in the upper-right hand corner for more status definitions.



[Help](#) | [Contact Us](#) | [Site Map](#) | [Search](#) | [Your Privacy](#) | [PI](#)

SERVICE SUPPLY LTD., INC.

ACTION BY UNANIMOUS WRITTEN CONSENT OF THE BOARD OF DIRECTORS

December 12, 1988

Pursuant to Section 1701.54 of the Ohio Revised Code, the undersigned, being all of the members of the Board of Directors of SERVICE SUPPLY LTD., INC. (the "Corporation"), do hereby take and adopt the following actions by this unanimous written consent:

RESOLVED: That the following persons be, and they hereby are, elected to the offices of the Corporation set opposite their respective names, each to serve in such capacity until his or her successor is duly elected and qualified:

- | | |
|-----------------|---------------------|
| Mary G. Groves | President |
| Jerry L. Groves | Vice President |
| Oscar L. Groves | Secretary/Treasurer |
| Alan Ketecka | Sales Manager |

RESOLVED: That the officers of the Corporation select a bank to be the official depository of the Corporation and the corporate resolutions required by such institution be, and they hereby are, adopted by the Corporation as part of this resolution and that any one of the officers be, and they hereby are, authorized to execute, acknowledge, and deliver in the name and on behalf of the Corporation, any and all agreements, documents and certificates, and to do and perform all such acts as things as may be deemed by them necessary or appropriate to effectuate the purpose of this resolution;

RESOLVED
FURTHER: That said bank be, and it hereby is, authorized to pay out the funds of the Corporation on deposit with it from time to time upon checks, drafts or other withdrawal orders drawn upon it and signed in the name of the Corporation by any one of the following persons:

- Oscar B. Groves
- Mary G. Groves

whetherie checks, drafts or other withdrawal orders payable to cash, bearer, the orders of any thi party, the order of the signing officers or emplies of the Corporation, or to the order

SERVICE SUPPLY LTD., INC.



1524 SOUTH HAMILTON ROAD - COLUMBUS, OHIO 43227 - TELEPHONE 614 / 861 - 3681
FAX 614/863-0113

June 1, 2005

Service Supply Ltd., Inc. - founded in 1959 in Columbus, Ohio. We originally had offices in the Bryson Building in Columbus, Ohio, and have been in our present facilities, 1524 South Hamilton Road, Columbus, Ohio since 1967.

Ralph Groves, my brother, founded Service Supply Ltd., Inc. and was president until his death in 1973.

Our employees at this time are:

- Mary G. Groves (wife) President (1960)
- Jerry Groves (son) Vice President (1969)
- Janet Kletecka (daughter) Board of Directors (1974)
- Alan Kletecka (son-in law) Sales Manager (1973)
- Ben Groves (husband) Secretary-Treasurer (1961)
- Donna Hetzner - Secretary (1999)
- Linda Groves (daughter-in-law) Secretary (1977)
- Linda Kroonemeyer - Secretary (1986)
- Medrith Mollenkamp - Secretary (1988)
- Connie Triplett - Secretary (2003)

We have five (5) sales persons located in various areas of Ohio, Indiana and West Virginia that are on straight commission basis. Some of these sales persons also offer other lines that are related to the same market that we service. This gives us a total of seven (7) sales persons on the road.

Service Supply Ltd., Inc. originally sold items pertaining to Traffic and Highway Safety such as paint strippers, traffic paint, signs, and sign posts. We expanded into the park and recreation market and then into the school market which includes all grade 1-12 and colleges. We also call on the private sector where our site amenities, signs, and play structures are popular. Our early childcare play equipment is designed for institutional and corporate facilities that have become involved in day care centers.



2010 Play Equipment Warranty

You have our word.

• **100-Year Limited Warranty** on all PlayBooster®, PlayShaper® and PlaySense® aluminum posts, stainless steel fasteners, clamps, beams and caps, against structural failure due to corrosion/natural deterioration or manufacturing defects, and on PlayBooster, Evos™ and Weevos™ steel posts and arches against structural failure due to material or manufacturing defects.

• **15-Year Limited Warranty** on all plastic components (including TuffTimbers™ edging), all steel components (except 100-year steel posts), Mobius® climbers, decks, TenderTuff™-coatings (Except Wiggle Ladders, Chain Ladders and Swing Chain) against structural failure due to material or manufacturing defects. TuffTurf® tiles against material or manufacturing defects. Corocord® cable on Spacenet™ climbers against breakage.

• **10-Year Limited Warranty** on natural climbers (exterior GFRC and epoxy theme-coating material) against structural failure due to natural deterioration or manufacturing defects. Does not cover minor chips, hairline cracks or efflorescence.

• **8-Year Limited Warranty** on CoolToppers® fabric against failure from significant fading, deterioration, breakdown, mildew, outdoor heat, cold, or discoloration. This warranty is limited to the design loads as stated in the specifications found in the technical information.

• **5-Year Limited Warranty** on Corocord cables on Spacenet climbers against natural deterioration or manufacturing defects.

• **3-Year Limited Warranty** on all other parts, ie: CableCore® products, swing seats and hangers, grills, Mobius climber handholds, Wiggle Ladders, Chain Ladders and Swing Chain, Track Ride trolleys and bumpers, all rocking equipment including Sway Fun® gliders, PVC belting material, HealthBeat™ hydraulic cylinders, Seesaws, Wiggle Ring Bridge, etc. against failure due to corrosion, natural deterioration or manufacturing defects.

This warranty does not include any cosmetic issues or wear and tear from normal use.

Landscape Structures Inc. warrants that all playstructures and/or equipment sold will conform in kind and in quality to the specifications manual for the products identified in the Acknowledgment of Order and will be free of defects in manufacturing and material. Seller further warrants:

All the warranties commence on date of Seller's invoice. Should any failure to conform to the above express warranties appear within the applicable warranty period, Seller shall, upon being notified in writing promptly after discovery of the defect and within the applicable warranty period, correct such nonconformity either by repairing any defective part or parts, or by making available a replacement part within 60 days of written notification. Seller shall deliver the repaired or replacement part or parts to the site free of charge, but will not be responsible for providing labor or the cost of labor for the removal of the defective part or parts and the installation of any replacement part or parts. Replacement parts will be warranted for the balance of the original warranty.

THIS WARRANTY IS EXCLUSIVE AND IN LIEU OF ALL OTHER WARRANTIES, WHETHER EXPRESSED OR IMPLIED, INCLUDING BUT NOT LIMITED TO ANY WARRANTY OF MERCHANTABILITY OR OF FITNESS FOR A PARTICULAR PURPOSE.

The remedies hereby provided shall be the exclusive and sole remedies of the purchaser. Seller shall not be liable for any direct, indirect, special, incidental or consequential damages.

Seller neither assumes nor authorizes any employee, representative or any other person to assume for Seller any other liability in connection with the sale or use of the structures sold, and there are no oral agreements or warranties collateral to or affecting this agreement. The warranty stated above is valid only if the structures and or equipment are erected in conformance with Landscape Structures' installation instructions and maintained according to the maintenance procedures furnished by Landscape Structures Inc.; have been subjected to normal use for the purpose for which the goods were designed; have not been subject to misuse, negligence, vandalism, or accident; have not been subjected to addition or substitution of parts; and have not been modified, altered, or repaired by persons other than Seller or Seller's designees in any respect which, in the judgement of Seller, affects the condition or operation of the structures. To make a claim, send your written statement of claim, along with the original job number or invoice number to: Landscape Structures Inc. 601 7th Street South, Delano, Minnesota, 55328-8605.

Signed:

Chairman

Date: 01/01/2010



2010 Terms of Sale

PRICING: Prices in the Landscape Structures' Price List do not include delivery and handling charges. Prices are subject to change without notice.

TERMS: To tax-supported institutions and those with established credit: Net 30 days from the date of the invoice. 1.5% per month thereafter, freight charges are prepaid and applied to the invoice.

TAXES: Prices listed in the Landscape Structures' Price List do not include applicable taxes, if any.

WEIGHTS: Weights shown in the Landscape Structures' Price List are approximate and may vary.

DELIVERY: If delivery of the equipment is by common carrier, should there be damage or a shortage, notify the carrier at once and sign delivery documents provided by the carrier noting the damage or shortage. Most products are delivered on large pallets and will require a forklift or similar equipment to unload as a unit on the site. If this is not possible, the units can be unpacked in the truck.

INSTALLATION: All playstructures and/or equipment are delivered unassembled and packaged with recyclable materials. For a list of factory-certified installers in your area, please contact your Landscape Structures playground consultants.

SERVICE: We have knowledgeable, qualified playground consultants throughout the world. They are available to help you before, during and after the sale. Landscape Structures Inc. has exclusive design software that features all of our parts and pieces

in pull-down menus. With this, your playground consultant can design a playground layout that meets not only your needs, but ASTM and CPSC standards as well. In addition, we have a full staff of NPSI-certified designers along with 2-D and 3-D drawing capabilities to assist you with your playground plans.

Please contact us at:

Landscape Structures Inc.
601 7th Street South
Delano, Minnesota 55328-8605
888.4FUNLSI (inside the USA)
763-972-3391 (outside the USA)
playlsi.com

RETURN POLICY: As an indication of our commitment to our customers, Landscape Structures will accept returns of new structures and/or new equipment purchased within 60 days of the original invoice date. Advance notification is necessary to assure proper credit. Parts not included in this return policy are custom parts, (including PlayShaper® posts) as well as used or damaged parts. A 20% restock fee plus all freight charges will apply to all product returns. Note: All parts are subject to inspection upon return. Parts returned damaged may not receive a full credit. For this reason, it is important that all returned parts are properly packaged to prevent damages while in transit.

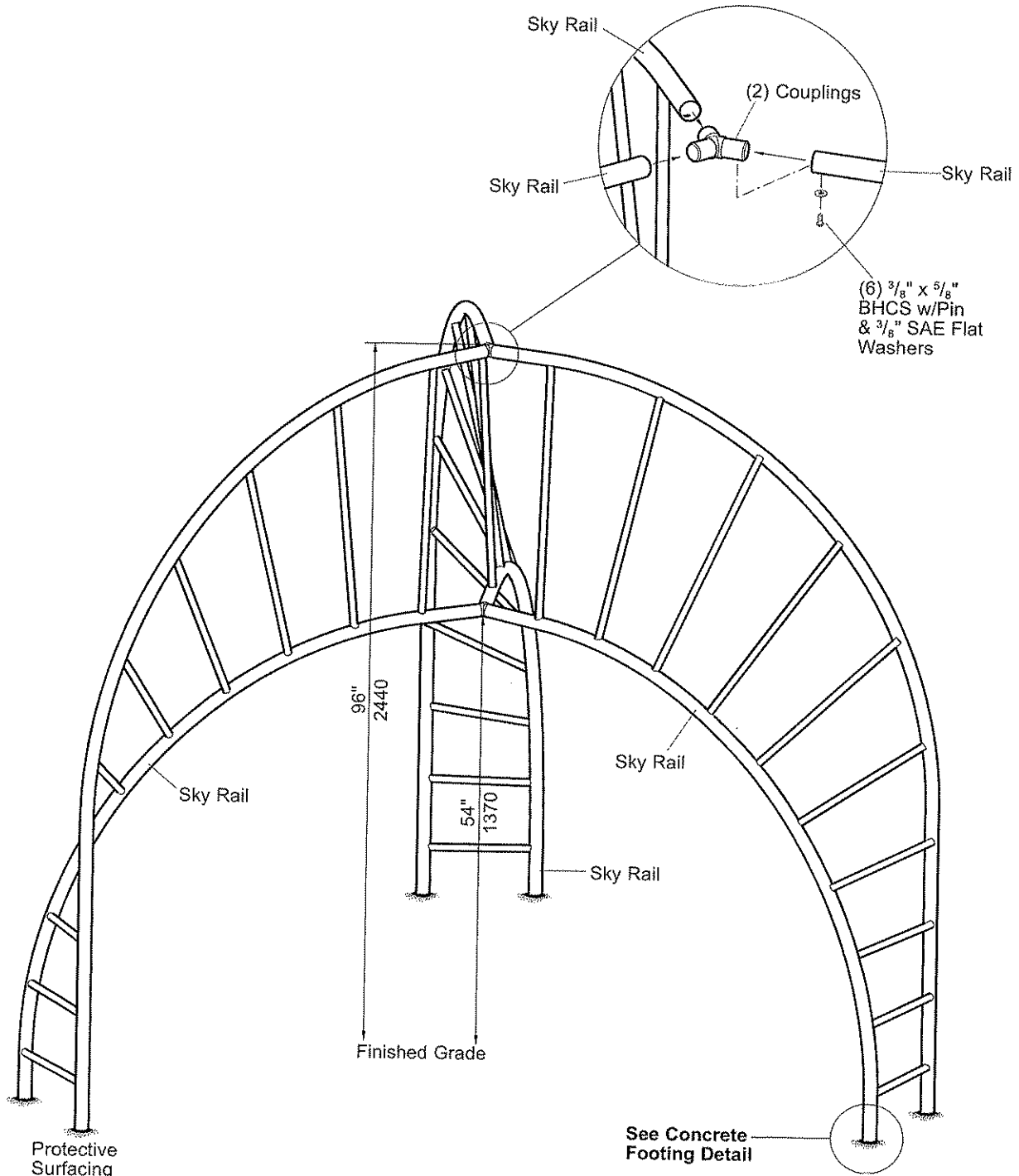
PRODUCT CHANGES: Because of our commitment to safety, innovation, and value, we reserve the right to change specifications at any time.

SAFETY NOTE
Choose a protective surfacing material that has a Critical Height Value of at least the height of the Highest Accessible Part/Fall Height of the adjacent equipment. (Ref. ASTM F1487, SECTION 9.)



14681500

**DETAIL
COUPLING ATTACHMENT**



Parts List

Part#	Description	Qty
145556-00	Sky Rail, Specify Color	3
145873-00	Coupling, Specify Color	2
147835-00	Sky Rail Climber Hardware Package	1
100195-00	3/8" x 3/8" BHCS w/Pin, SST	6
100365-00	3/8" SAE Flat Washer, SST	6
156847-00	Play Safe Label, 5-12 Yrs.	1

Specifications

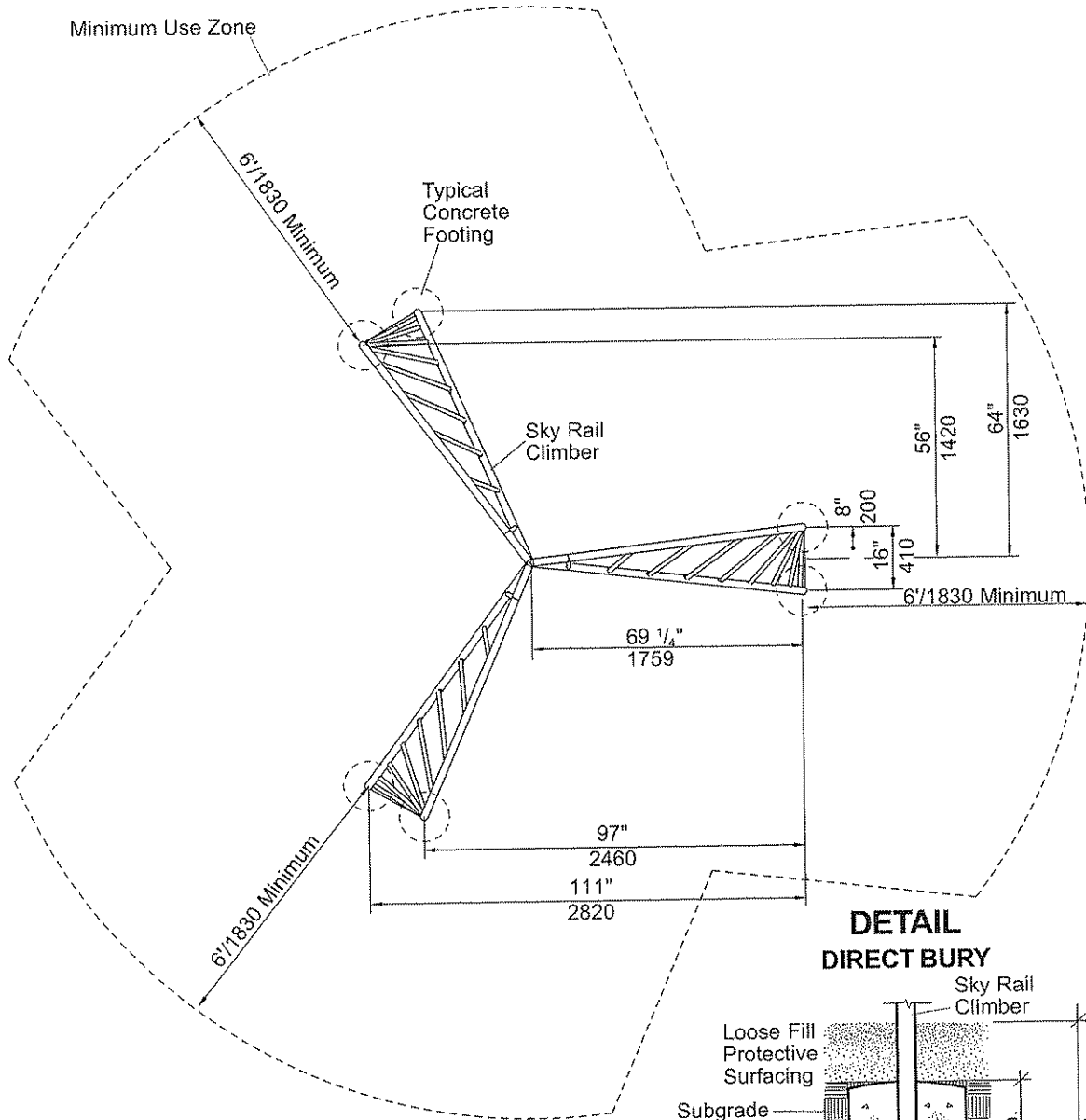
Sky Rail:	Weldment comprised of 1.900" O.D. RS-20 (.090" - .100") galvanized steel tubing per ASTM A500 and 1.029" O.D. RS-20 (.070" - .080") galvanized steel tubing per ASTM A500. Finish: Powdercoat, color specified.
Coupling:	ANSI 535.0 (Aimag 35). Finish: Powdercoat, color specified.
Fasteners:	Primary fasteners shall be socketed and pinned tamperproof in design, stainless steel (SST) per ASTM F 879 unless otherwise indicated (see specific product installation/specifications).
Installation Time:	Approx. 6 man hours
Concrete Req.:	Approx. 8 cu. ft.
Area Req.:	21'-5" x 22'-10" (6,53 m x 6,96 m)
Fall Height:	108" (2740 mm)
Weight:	220 lbs.

Installation Instructions

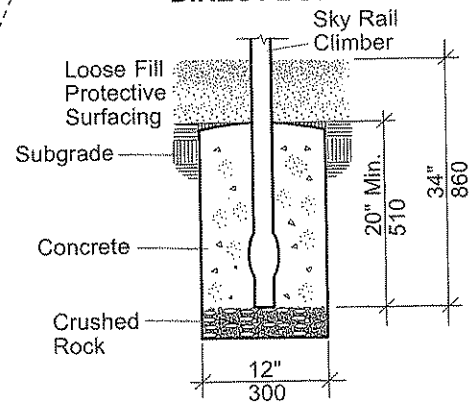
- 1) Dig footing holes spaced as shown. Refer to the Plan View/Footing Layout.
- 2) Place sky rail climbers into footing holes.
- 3) Insert (2) couplings into the ends of the sky rail climbers with tapped holes facing down. Line up tapped holes in couples with slotted holes in the sky rails and fasten using 3/8" x 3/8" BHCS w/pin and 3/8" SAE flat washers. Refer to the Coupling Attachment Detail. **NOTE: A ladder will be required to insert coupling in top rails.**
- 4) With the sky rail climber in final position pour concrete footings.
- 5) Allow concrete footings to cure a minimum of 72 hours before users are allowed to play on the structure.
- 6) Install protective surfacing before users are allowed to play on the structure.

SAFETY NOTE
Choose a protective surfacing material that has a Critical Height Value of at least the height of the Highest Accessible Part/Fall Height of the adjacent equipment. (Ref. ASTM F1487, SECTION 9.)

PLAN VIEW/FOOTING LAYOUT



**DETAIL
DIRECT BURY**



Ind. Climbers

146813 Sky Rail Climber

601 7TH STREET SOUTH, P.O. BOX 198 DELANO, MINNESOTA 55328-0198 (763) 972-3391 1-888-LSI-INST (1-888-574-4678) FAX (763) 972-3185

SAFETY NOTE
 Choose a protective surfacing material that has a Critical Height Value of at least the height of the Highest Accessible Part/Fall Height of the adjacent equipment. (Ref. ASTM F1487, SECTION 9)



4-10-01
 13179700

BEFORE YOU BEGIN...

With three people, approximate installation time is 3 hours, (SM) or 4 hours, (DB).

Check that all parts are included in the package (see listing) and have not been damaged in shipment.

If you notice any damage, do not begin assembly. Notify the carrier claims agent and Landscape Structures.

Read the entire instruction sheet before you begin.

TOOLS REQUIRED

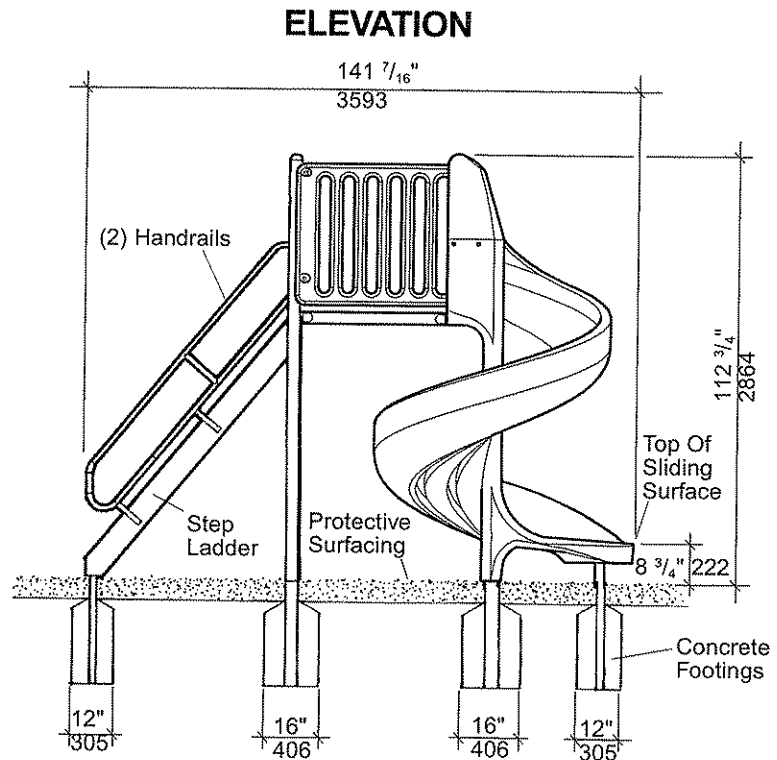
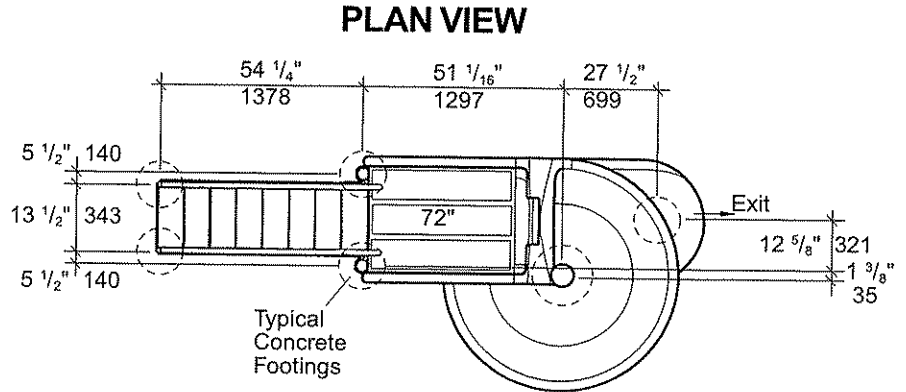
- Hex-Pin Allen Wrenches (Supplied)
- 7/32" Allen Wrench
- 16 oz. Hammer
- 1/2" Hammer Drill
- 3/8" Masonry Bit
- 1/2" Masonry Bit
- 9/16" Wrench or Crescent Wrench
- Carpenters Level
- Tape Measure

IMPORTANT PRECAUTIONS!

At least three people are required to safely install the SpyroSlide. Do not attempt it by yourself!

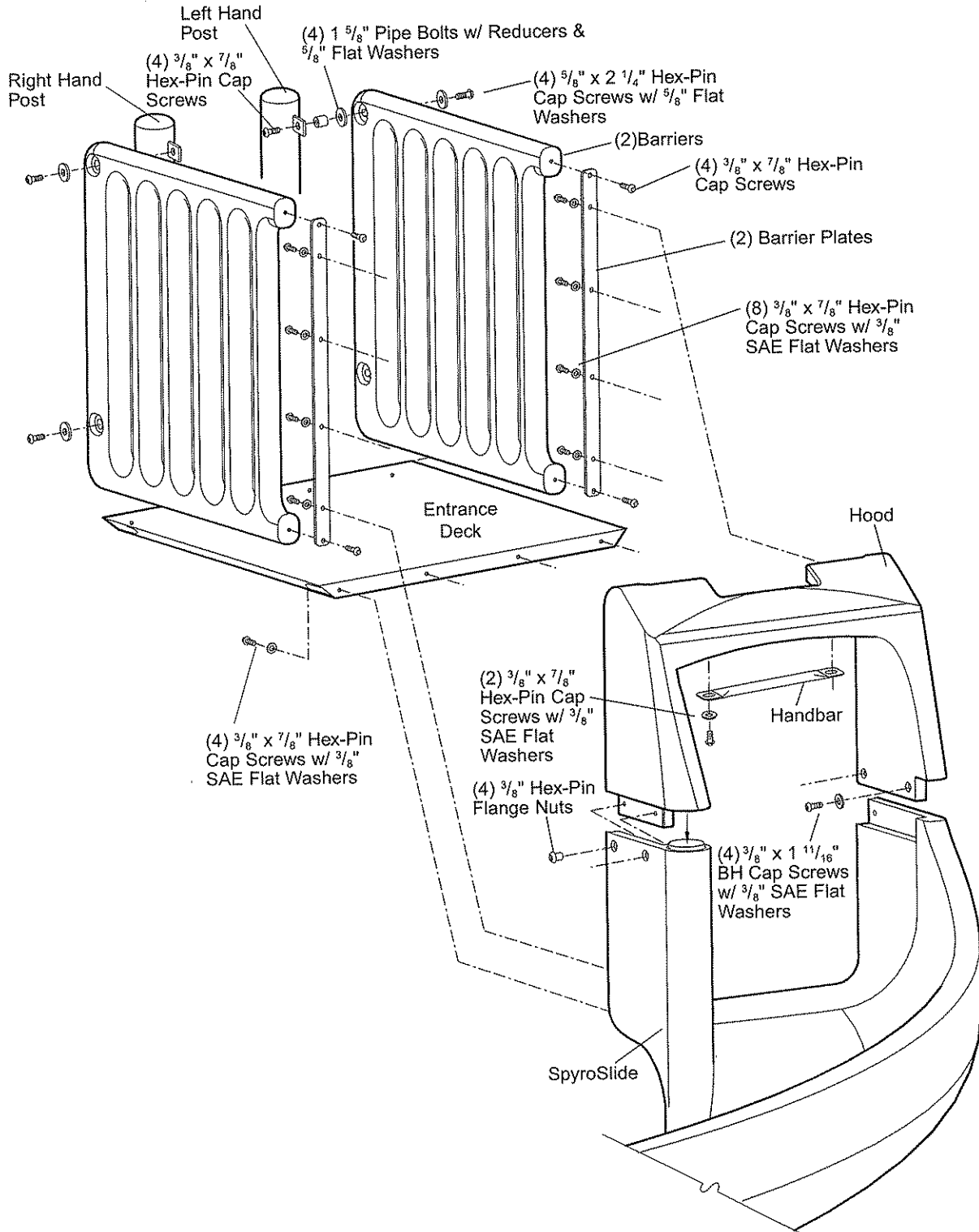
Do not allow the slide to be used until:

- Protective surfacing is installed around slide.



SAFETY NOTE
Choose a protective surfacing material that has a Critical Height Value of at least the height of the Highest Accessible Part/Fall Height of the adjacent equipment. (Ref. ASTM F1487, SECTION 9.)

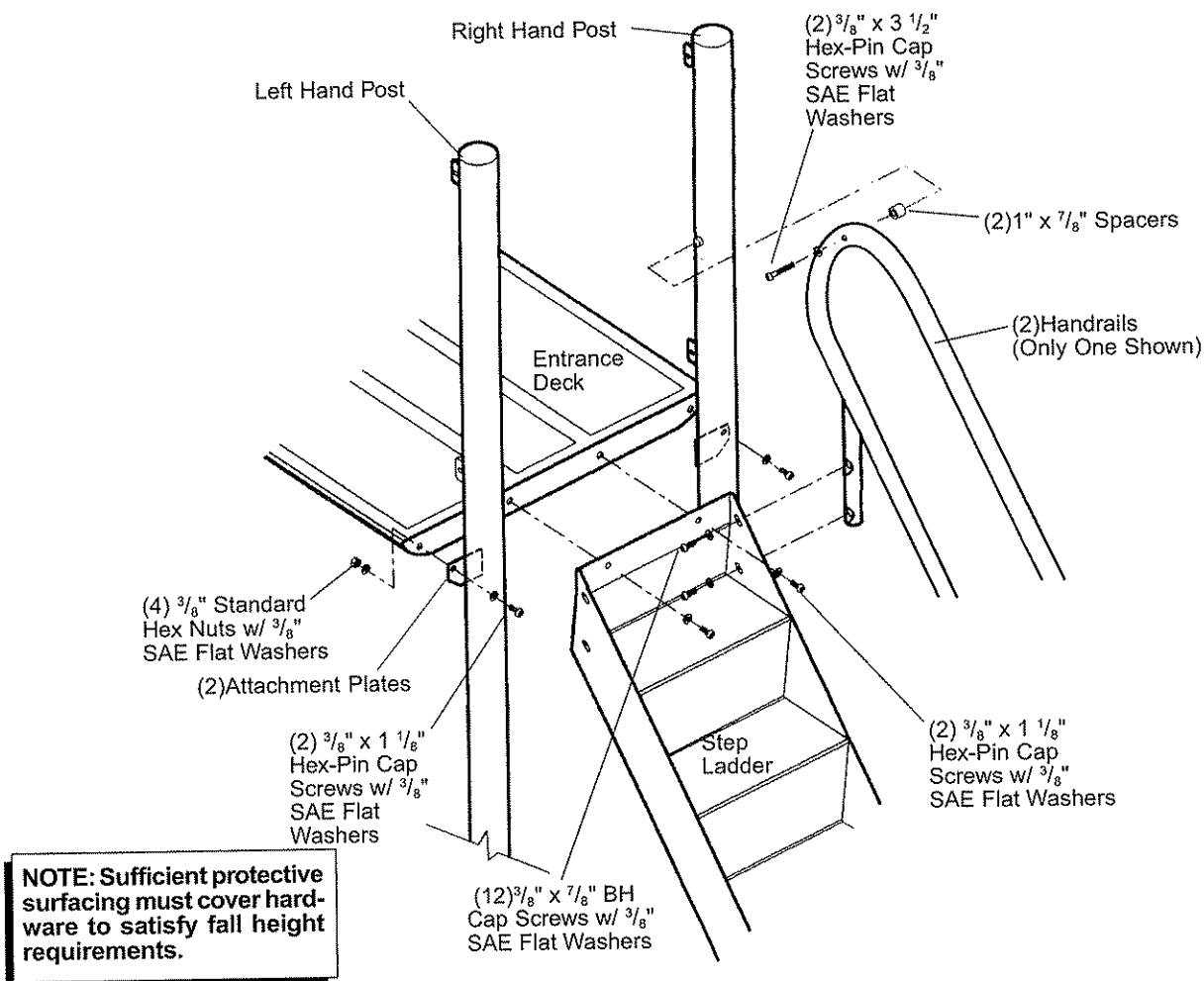
BARRIER/DECK/SLIDE ASSEMBLY



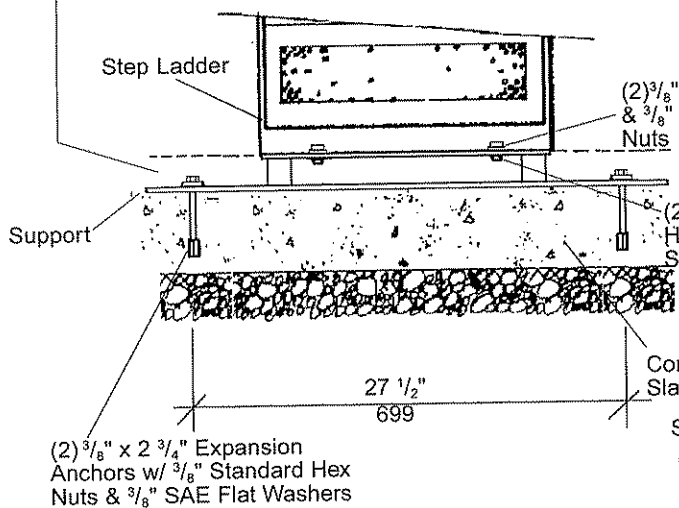
Ind. Slides

115366 SpyroSlide, 72"

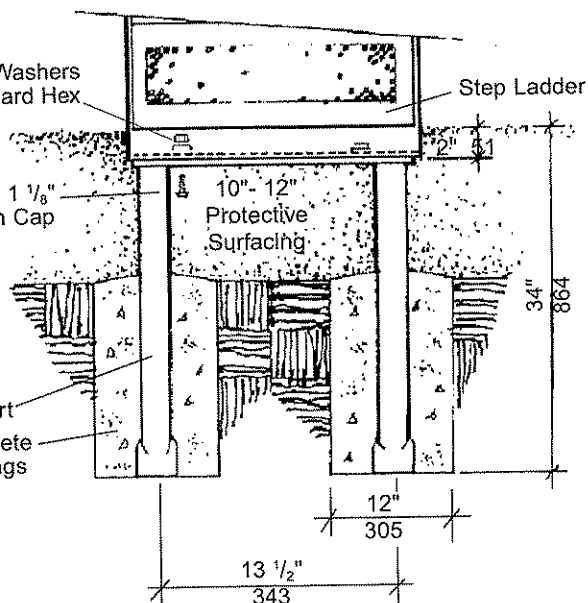
DECK/STEP/HANDRAIL ASSEMBLY



SURFACE MOUNT BASE SUPPORT



DIRECT BURY BASE SUPPORT

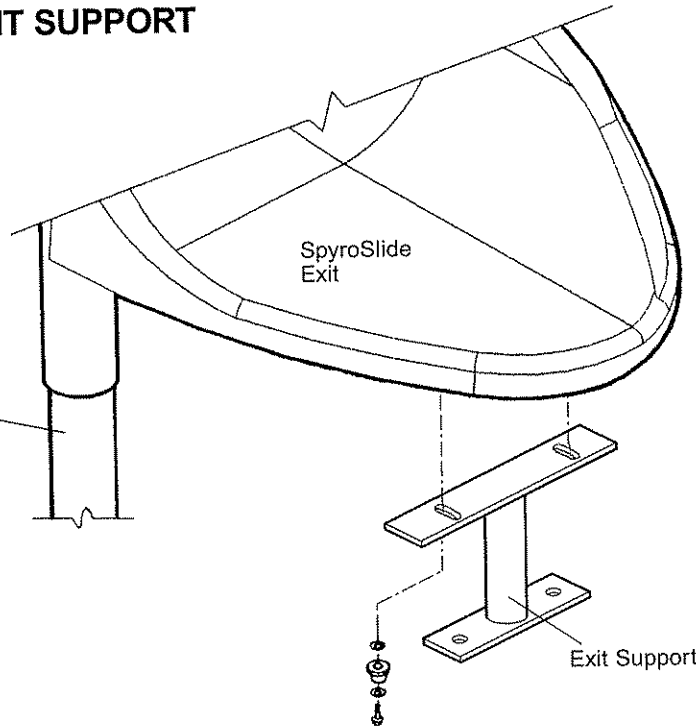


SAFETY NOTE
 Choose a protective surfacing material that has a Critical Height Value of at least the height of the Highest Accessible Part/Fall Height of the adjacent equipment. (Ref. ASTM F1487, SECTION 9.)

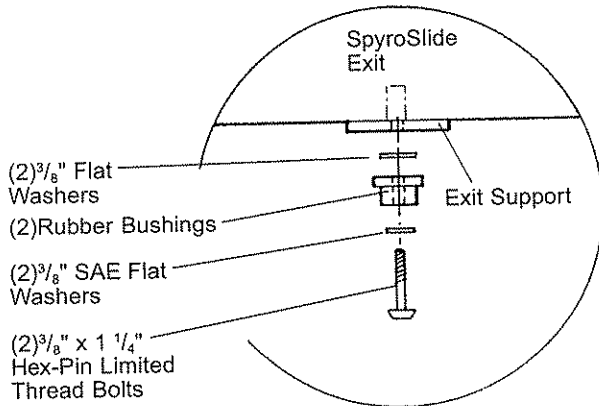


4-10-01
 122258c0

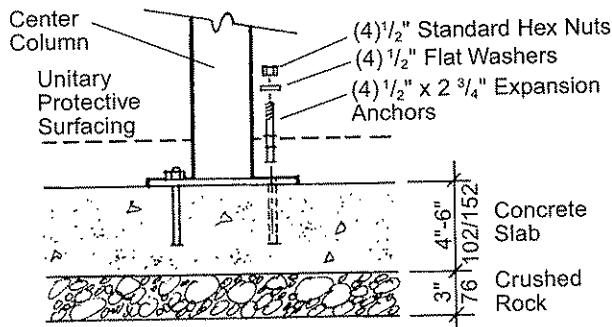
EXIT SUPPORT



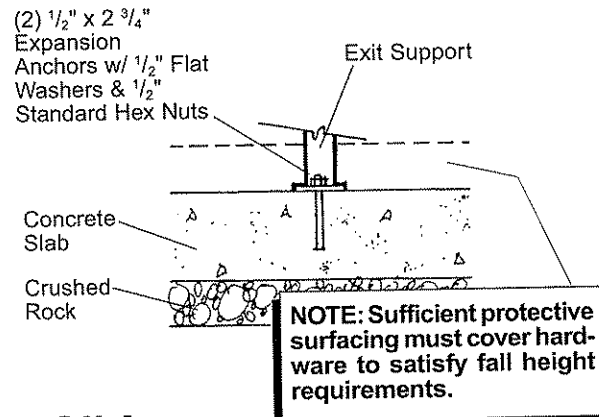
DETAIL



DETAIL CENTER COLUMN SUPPORT



DETAIL EXIT SUPPORT



Ind. Slides

115366 SpyroSlide, 72"

Parts List

Part#	Description	Qty.
130685-00	SpyroSlide, Specify Color	1
130687-00	Hood, Specify Color	1
119499-00	Handbar, Brown	1
130686-00	Barrier, Specify Color	2
119501-00	Barrier Plate, Specify Color	2
121825-00	Entrance Deck, Brown	1
122255-00	72" Center Column (DB), Specify Color	1
121507-00	72" Center Column (SM), Specify Color	1
102894-00	Exit Support (DB), Specify Color	1
102899-00	Exit Support (SM), Specify Color	1
130031-00	Left Support Post (DB), Specify Color	1
112554-01	Left Support Post (SM), Specify Color	1
130030-00	Right Support Post (DB), Specify Color	1
112555-01	Right Support Post (SM), Specify Color	1
108540-00	72" Step Ladder, Brown	1
102801-00	Step Ladder Support (DB), Brown	1
102977-00	Step Ladder Support (SM), Brown	1
129178-00	72" Left Handrail, Specify Color	1
129180-00	72" Right Handrail, Specify Color	1
112549-00	1 3/8" Pipe Bolt w/Reducer, Specify Color	4
129181-00	Ind. SpyroSlide Hardware Package	1
100196-00	3/8" x 7/8" Hex-Pin Cap Screw, SST	16
100198-00	3/8" x 1 1/8" Hex-Pin Cap Screw, SST	2
100200-00	3/8" x 3 1/2" Hex-Pin Cap Screw, SST	2
100327-00	3/8" Standard Hex Nut, SST	2
100362-00	3/8" Flat Washer, SST	2
100365-00	3/8" SAE Flat Washer, SST	14
106163-00	1" O.D. x 7/8" Spacer, SST	2
121245-00	SpyroSlide Hardware Package	1
123224-00	3/8" x 1 1/16" BH Cap Screw	4
100196-00	3/8" x 7/8" Hex-Pin Cap Screw, SST	18
100198-00	3/8" x 1 1/8" Hex-Pin Cap Screw, SST	4
100203-00	3/8" x 2 1/4" Hex-Pin Cap Screw, SST	4
100327-00	3/8" Standard Hex Nut, SST	4
100353-00	3/8" Hex-Pin Flange Nut, SST	4
100365-00	3/8" SAE Flat Washer, SST	26
100366-00	3/8" Flat Washer, SST	8
121246-00	Exit Hardware Package	1
100292-00	3/8" x 1 1/4" Hex-Pin Limited Thread Bolt, SST	2
100362-00	3/8" Flat Washer, SST	2
100365-00	3/8" SAE Flat Washer, SST	2
111442-00	Rubber Bushing	2
111392-00	2 Hole (SM) Hardware Package	1
100266-00	1/2" x 2 3/4" Expansion Anchor	2
100322-00	1/2" Standard Hex Nut, SST	2
100363-00	1/2" Flat Washer, SST	2
121256-00	2 Hole (SM) Hardware Package	1
100263-00	3/8" x 2 3/4" Expansion Anchor	2
100327-00	3/8" Standard Hex Nut, SST	2
100365-00	3/8" SAE Flat Washer, SST	2
121348-00	4 Hole (SM) Hardware Package	3
100266-00	1/2" x 2 3/4" Expansion Anchor	12
100322-00	1/2" Standard Hex Nut, SST	12
100363-00	1/2" Flat Washer, SST	12

DB = Direct Bury
SM = Surface Mount

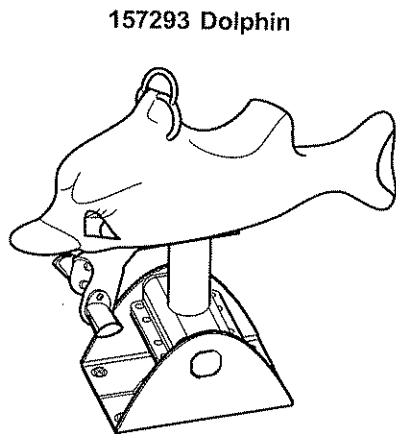
Specifications

SpyroSlide	
Hood/Barriers:	Rotationally molded linear low-density polyethylene, U.V. stabilized, color specified.
Handbar:	Handbar formed from .875" O.D. 11-gauge black steel tubing. Unit is TenderTuff-coated to a minimum thickness of .060", brown in color.
Barrier Plates:	Fabricated from 1/4" x 1 1/2" zinc plated HR flat steel. Unit coated with a baked-on polyester powdercoating, color specified.
Entrance Deck:	Fabricated from 12-gauge perforated, flange formed and reinforced sheet steel conforming to ASTM specifications A-569. Standing surface has 1/4" diameter holes. Unit is TenderTuff-coated to a minimum thickness of .060", brown in color.
Center Column:	Fabricated from 3 1/2" O.D. RS-20 galvanized steel tubing continuously welded to a 5" O.D. footer plate. Unit coated with a baked-on polyester powdercoating, color specified.
Support Posts:	Fabricated from 3 1/2" O.D. RS-20 galvanized steel tubing. A 3 3/8" diameter 12-gauge plate is continuously welded to top of post. A 2 1/2" x 3 1/2" x 7-gauge plate, two 1/8" x 2" x 2" tabs and a 3/8" standard hex nut are all continuously welded to the post. Unit coated with a baked-on polyester powdercoating, color specified.
Handrails:	Fabricated from formed 1.125" O.D. 11 GA. (.120") steel tubing. Finish: TenderTuff, color specified.
Step Ladder:	Fabricated and formed from 14-gauge HRPO sheet steel with 3/16" perforated holes for steps and welded 12-gauge HRPO sheet steel for sides. Unit is TenderTuff-coated to a minimum thickness of .060", brown in color.
Ladder Support:	Fabricated from 1/4" x 2" zinc plated HR flat steel continuously welded to 1.660" O.D. RS-20 galvanized steel tubing. Unit coated with a baked-on polyester powdercoating, brown in color.
Exit Support:	Fabricated from 1/4" x 3" zinc plated HR flat steel continuously welded to 2.375" O.D. RS-20 galvanized steel tubing. Unit coated with a baked-on polyester powdercoating, color specified.
Pipe Bolts:	1 1/8" O.D. 6061-T6 aluminum extrusion with 5/16" walls. Unit coated with a baked-on polyester powdercoating, color specified.
Fasteners:	Primary fasteners are socketed and pinned tamperproof in design, either carbon steel plated with zinc/nickel and iridescent chromate finish or stainless steel (SST).
Installation Time:	SM - Approx. 3 hours with 3 people DB - Approx. 4 hours with 3 people
Concrete Req.:	Approx. 12.5 cu. ft.
Actual Size:	11'-9 1/2" x 5' (3,6 m x 1,52 m)
Area Req.:	9' minimum use zone at Exit
Weight:	SM - 649 lbs. DB - 669 lbs.
Fall Height:	72" (1,83 m)

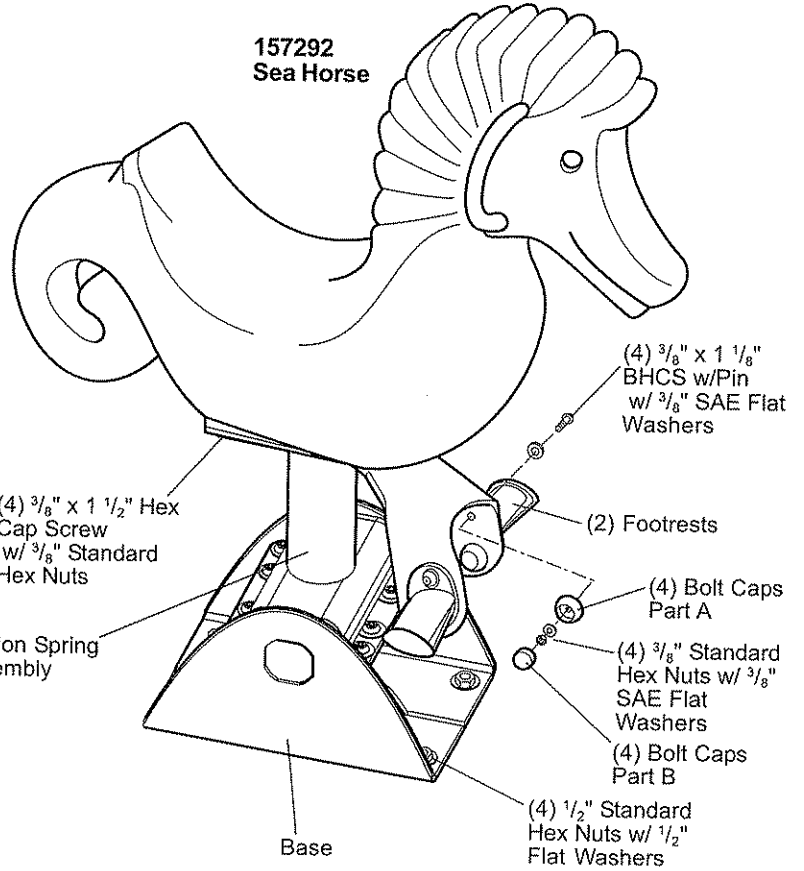
Installation Instructions

- 1) **(Direct Bury)** Dig footing holes to the spacing and depth shown.
- 2) Preassemble the spyroslide and hood over a clean non-scratching surface.
- 3) Slide the center column into the spyroslide, and butt it up tight against the bottom sleeve.
- 4) Attach the hood to the spyroslide using $\frac{3}{8}$ " x $1\frac{1}{16}$ " BH cap screws with $\frac{3}{8}$ " SAE flat washers and $\frac{3}{8}$ " hex-pin flange nuts. Refer to the Barrier/Deck/Slide Assembly.
- 5) Line entrance section on spyroslide up with the holes in the face of the entrance deck. Attach using $\frac{3}{8}$ " x $\frac{7}{8}$ " hex-pin cap screws with $\frac{3}{8}$ " SAE flat washers. Refer to the Barrier/Deck/Slide Assembly.
- 6) With three people minimum set the preassembled slide and posts upright. Position entrance deck in line with attachment plates on posts.
- 7) Attach entrance deck to attachment plates using $\frac{3}{8}$ " x $1\frac{1}{8}$ " hex-pin cap screws with $\frac{3}{8}$ " SAE flat washers and $\frac{3}{8}$ " standard hex nuts with $\frac{3}{8}$ " SAE flat washers. Refer to the Deck/Step/Handrail Assembly Detail.
- 8) Attach the exit support to the spyroslide using $\frac{3}{8}$ " x $1\frac{1}{4}$ " hex-pin limited thread bolts, $\frac{3}{8}$ " SAE flat washers, rubber bushings and $\frac{3}{8}$ " flat washers. **NOTE:** *Attach bolts in the center of the slots to allow for expansion and contraction. Snug bolts down only, do not overtighten.* Refer to the Exit Support Detail.
- 9) Attach the step support to the bottom of the step section using $\frac{3}{8}$ " x $1\frac{1}{8}$ " hex-pin cap screws and $\frac{3}{8}$ " standard hex nuts with $\frac{3}{8}$ " flat washers. Refer to the Base Support Details.
- 10) Position step section against the face of the entrance deck with the step support in the footing holes. Line up holes in entrance deck and step section. Fasten using $\frac{3}{8}$ " x $1\frac{1}{8}$ " hex-pin cap screws with $\frac{3}{8}$ " SAE flat washers and $\frac{3}{8}$ " standard hex nuts with $\frac{3}{8}$ " SAE flat washers. Refer to the Deck/Step/Handrail Assembly Detail.
- 11) Attach step handrails to step section using $\frac{3}{8}$ " x $\frac{7}{8}$ " BH cap screws and $\frac{3}{8}$ " SAE flat washers. Refer to the Deck/Step/Handrail Assembly Detail.
- 12) With handrails in position attach to posts using $\frac{3}{8}$ " x $3\frac{1}{2}$ " hex-pin cap screws with $\frac{3}{8}$ " SAE flat washers through handrails. Then place 1 " x $\frac{7}{8}$ " spacers between handrails and posts, thread cap screws into nuts welded to posts. Refer to the Deck/Step/Handrail Assembly Detail.
- 13) Attach the barrier plates to the barriers using $\frac{3}{8}$ " x $\frac{7}{8}$ " hex-pin cap screws. Refer to the Barrier/Deck/Slide Assembly.
- 14) Attach the barrier plates with barriers to the spyroslide and hood using $\frac{3}{8}$ " x $\frac{7}{8}$ " hex-pin cap screws with $\frac{3}{8}$ " SAE flat washers. Refer to the Barrier/Deck/Slide Assembly.
- 15) Attach $1\frac{3}{8}$ " pipe bolts to tabs on posts using $\frac{3}{8}$ " x $\frac{7}{8}$ " hex-pin cap screws. Refer to the Barrier/Deck/Slide Assembly.
- 16) Attach barriers to pipe bolts using $\frac{5}{8}$ " x $2\frac{1}{4}$ " hex-pin cap screws with $\frac{5}{8}$ " flat washers placed on each side of barrier. Refer to the Barrier/Deck/Slide Assembly.
- 17) Attach handbar to hood using $\frac{3}{8}$ " x $\frac{7}{8}$ " hex-pin cap screws with $\frac{3}{8}$ " SAE flat washers. Refer to the Barrier/Deck/Slide Assembly.
- 18) **(Direct Bury)** With spyroslide plumb and level, pour concrete footings. Let concrete set for three days before use.
(Surface Mount) With spyroslide plumb and level, mark anchor bolt locations through holes in anchor plates. Move slide assembly aside slightly and drill $\frac{3}{8}$ " x 3 " and $\frac{1}{2}$ " x 3 " deep holes in marked locations on concrete slab, using a hammer drill with $\frac{3}{8}$ " and $\frac{1}{2}$ " masonry bits. **NOTE:** *Use $\frac{1}{2}$ " anchors for posts, center column and exit support. Use $\frac{3}{8}$ " anchors for steps.*
Reposition slide assembly over drilled holes and tap expansion anchors into holes. Fasten $\frac{3}{8}$ " anchors using $\frac{3}{8}$ " standard hex nuts with $\frac{3}{8}$ " SAE flat washers. Fasten $\frac{1}{2}$ " anchors using $\frac{1}{2}$ " standard hex nuts with $\frac{1}{2}$ " flat washers.
- 19) Install protective surfacing before users are allowed to play on the structure.

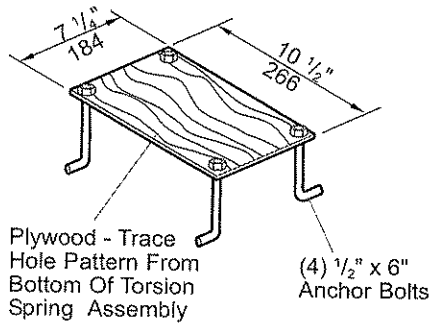
SAFETY NOTE
Choose a protective surfacing material that has a Critical Height Value of at least the height of the Highest Accessible Part/Fall Height of the adjacent equipment. (Ref. ASTM F1487, SECTION 9.)



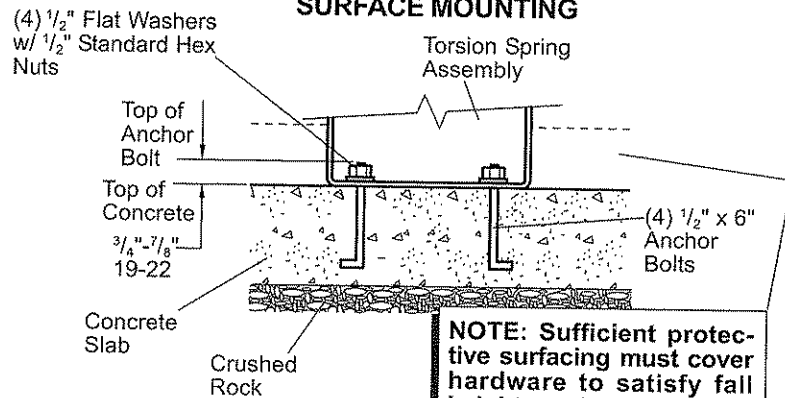
NOTE: For Direct Bury Leg mounting refer to 157911.



**DETAIL
PLYWOOD TEMPLATE**



**SECTION
SURFACE MOUNTING**



Kids In Motion Whimsy Rider, Sea Horse/Dolphin, w/Torsion Spring

Parts List

Part#	Description	Qty.
150711-00	Torsion Spring Assembly, Brown	1
135686-00	Sea Horse Whimsy Rider, Blue Base Color	1
135687-00	Dolphin Whimsy Rider, Red Base Color	1
135604-00	Footrest Plate, Brown	1
136479-00	Footrest, Brown	2
120202-00	Spring Animal Anchor Hardware Package	1
100262-00	1/2" x 6" Anchor Bolt	4
100322-00	1/2" Standard Hex Nut, SST	4
100363-00	1/2" Flat Washer, SST	4
157987-00	Spring Animal w/Footrest Hardware Package ..	1
100198-00	3/8" x 1 1/8" BHCS w/Pin, SST	4
100208-00	3/4" x 1 1/2" Hex Cap Screw, SST	4
100327-00	3/4" Standard Hex Nut, SST	8
100365-00	3/4" SAE Flat Washer, SST	8
108184-01	Bolt Cap Part A	4
108185-01	Bolt Cap Part B	4
156845-00	Play Safe Label, 2-5 Yrs.	1

Specifications

Torsion Spring Assy: (Leg Assembly) Weldment comprised of 2.375" O.D. RS40 (.130" - .140" wall) galvanized steel tube, 7 GA. (.179") sheet HRPO steel and 1/4" sheet HRPO steel. Finish: Powdercoat, brown in color.

(Base Assembly) Weldment comprised of 1/4" sheet HRPO steel and 2" square steel bar. Finish: Powdercoat, brown in color.

(Torsion Half Clamp) Fabricated from 1/4" sheet HRPO steel. Finish: Powdercoat, brown in color.

(Rubber Rod) 1.108" O.D. 60 Durometer natural rubber.

(Bushings) Plastic (UHMW), Black in color.

Whimsy Rider: Cast aluminum. Finish: Base color powdercoat, then hand painted with polyurethane enamel.

Footrest Plate: Fabricated from formed 1/4" HRPO flat steel. Finish: Powdercoat, brown in color.

Footrest: Cast from 356-T6 aluminum alloy. Finish: Powdercoat, brown in color.

Fasteners: Primary fasteners shall be socketed and pinned tamperproof in design, stainless steel (SST) per ASTM F 879 unless otherwise indicated (see specific product installation/specifications).

Installation Time: Approx. 2 man hours

Concrete Req.: Approx. 10 cu. ft.

Area Req.: 13'-0" x 15'-0" (3,96 m x 4,57 m) minimum use zone

Weight: Sea Horse - 77 lbs.

Dolphin - 70 lbs.

Seat Height: Sea Horse - 20 1/2" (0,52 m)

Dolphin - 21 1/2" (0,55 m)

Installation Instructions

NOTE: For Direct Bury Leg mounting, refer to 157911.

Surface Mounting On Concrete Slab

- Using the base plate as a pattern, make a plywood template for anchor bolt placement.
- Attach 1/2" x 6" anchor bolts with 1/2" standard hex nuts with 1/2" flat washers to holes in template. Allow 3/4" to 7/8" of thread above concrete.
- Pour concrete slab and lay template on surface of concrete and push anchor bolts into concrete. Allow concrete to cure for a minimum of 72 hours before removing template.
- Attach torsion spring assembly to anchor bolts in concrete using 1/2" standard hex nuts with 1/2" flat washers.
- Attach body to footrest plate and torsion spring assembly using 3/8" x 1 1/2" hex cap screws and 3/8" standard hex nuts.
- Attach footrests to footrest plates using 3/8" x 1 1/8" BHCS w/pin, 3/8" SAE flat washers, and bolt caps part A, 3/8" standard hex nuts with 3/8" SAE flat washers, as shown.
- Snap on bolt caps part B to bolt caps part A by hand or with rubber mallet.
- Install protective surfacing before users are allowed to play on the component. A minimum of 2" of protective material should cover base plate and anchor bolt nuts.

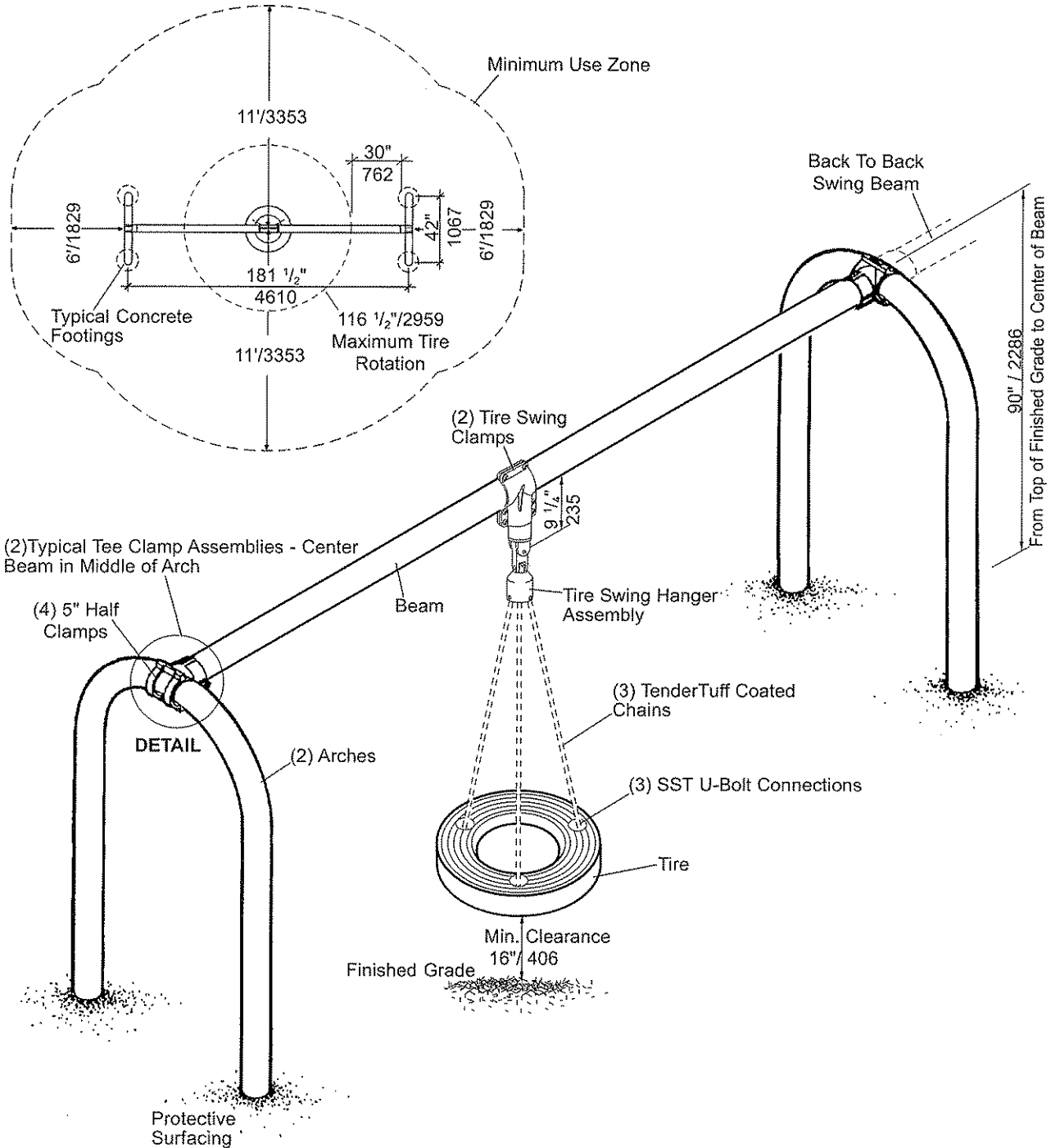
SAFETY NOTE
 Choose a protective surfacing material that has a Critical Height Value of at least the height of the Highest Accessible Part/Fall Height of the adjacent equipment. (Ref. ASTM F1487, SECTION 9.)

LANDSCAPE STRUCTURES



14132000

PLAN VIEW/FOOTING LAYOUT



Swings

120891 Arch Tire Swing

Sheet 1 of 2

Swings 120891 Arch Tire Swing

Parts List

Part#	Description	Qty.	
		2 Pl	Add. Bay
131683-00	181 1/2" Beam, Specify Color	1	1
126158-00	103" Arch (DB), Specify Color	2	1
105327-01	5" Half Clamp, Specify Color	4	*
141735-00	49 3/16" Swing Chain, Specify Color	3	3
121265-00	Clamp Hardware Package	2	1
100198-00	3/4" x 1 1/8" BHCS w/Pin, SST	8	4
100351-00	3/8" Tee Nut, SST	8	4
100610-00	1/2" x 5/8" Drive Rivet, AL/SST	4	2
107329-01	Tire, Tire Ring&Hdw.Pkg.Unassembled,Boxed	1	1
102405-00	Tire Ring	1	1
130910-00	Tire w/LS1 Logo	1	1
123509-00	Tire Swing Hardware Package	1	1
100321-00	3/8" Hex Patch Nut, SST	6	6
100365-00	3/8" SAE Flat Washer, SST	6	6
122387-00	U-Bolt Tire Swing, SST	3	3
121460-00	Tire Swing Hanger Hardware Package	1	1
100292-00	3/8" x 1 1/4" BHCS w/Pin Ltd. Thread Bolt, SST ..	3	3
116144-00	Insert, SST	1	1
121133-00	Upper Pin, SST	1	1
121135-00	1/4" x 2" Spring Pin, SST	2	2
121390-00	Tire Swing Hanger Assembly, SST	1	1

DB = Direct Bury

* = 5" Half Clamps From 2 PL. Need To Be Used.

Specifications

Arch Posts: See PlayBooster (PB) General Specifications.

Beam: Weldment comprised of 5" O.D. x 11 GA (.120") galvanized steel tubing, 3 1/2" O.D. RS-20 (.125") galvanized steel tubing and 7 GA. (.179") flat steel gussets. Tee clamps and tire swing clamps are mechanically attached at factory with stainless steel fasteners. Finish: Powdercoat, color specified.

Hanger Assembly: Machined from 303 stainless steel, with oil impregnated bronze bearings.

Insert: Made from 303 stainless steel.

Chain: Steel 3/16" straight link chain, 800 lb. working load limit. Finish: TenderTuff[®], color specified.

Tire: Rotationally molded from U.V. stabilized, E.V.A. (ethyl vinyl acetate) and high density polyethylene, blended to retain flexibility at below freezing temperatures, black in color. Tire measures 28" O.D. x 14" I.D. x 6" high.

Tire Ring: Fabricated from 1.315" O.D. RS-20 (.080" - .090") galvanized steel tubing.

Fasteners: Primary fasteners shall be socketed and pinned tamperproof in design, stainless steel (SST) per ASTM F 879 unless otherwise indicated (see specific product installation/specifications).

Installation Time: 1 Place - Approx. 8 man hours
Additional Bay - Approx. 4 man hours
Actual Size: 1 Place - 3'-11" x 15'-6 1/2" (1,19 m x 4,74 m)
Additional Bay - 3'-11" x 15'-4" (1,19 m x 4,67 m)
Area Req: 1 Place - 22' x 27'-6 1/2" (6,71 m x 8,39 m)
Additional Bay - 21'-4" x 22' (6,50 m x 6,71 m)
Concrete Req.: 1 Place - Approx. 7.5 cu. ft.
Additional Bay - Approx. 3.75 cu. ft.
Weight: 1 Place - 294 lbs.
Additional Bay - 219 lbs.
Fall Height: 78" (1,98 m)

Installation Instructions

- 1) Dig footings, spaced as shown. Refer to the Typical Concrete Footing Detail Spec Sheet.
- 2) Set arches in position and attach the 181 1/2" beam to the center of the arches using 5" half clamps, 3/8" x 1 1/8" BHCS w/pin and 3/8" tee nuts. Refer to the Tee Clamp Position Detail. When installing back to back swing beams refer to the Back To Back Tee Clamps Detail.
- 3) Level beam, plumb posts and temporarily prop in position. Pour concrete footings and let set for 72 hours before proceeding.
- 4) Insert U-bolts through last link of chains, and position U-bolts into holes on top of tire. Flip tire over and position tire ring over U-bolts. Fasten tire ring to U-bolts using 3/8" hex patch nuts with 3/8" SAE flat washers. Tighten until no more than two bolt threads protrude beyond the nuts. Refer to the Swing Tire Spec Sheet.
- 5) Position tire swing hanger assembly between tabs on beam. Tap upper pin through tabs and tire swing hanger assembly. **NOTE:** Grooves in upper pin face up. Refer to the Tire Swing Hanger Spec Sheet.
- 6) Tap 1/4" x 2" spring pins through tabs. Refer to the Tire Swing Hanger Spec Sheet.
- 7) Attach swing chains to tire swing hanger assembly using 3/8" x 1 1/4" BHCS w/pin limited thread bolts and insert. Refer to the Tire Swing Hanger Spec Sheet.
- 8) Install 1/4" x 3/8" drive rivets in all 5" half clamps. Refer to the Typical Offset Hanger Clamp Spec Sheet. Refer to the Back To Back Tee Clamps Detail.
- 9) Install protective surfacing before users are allowed to play on the

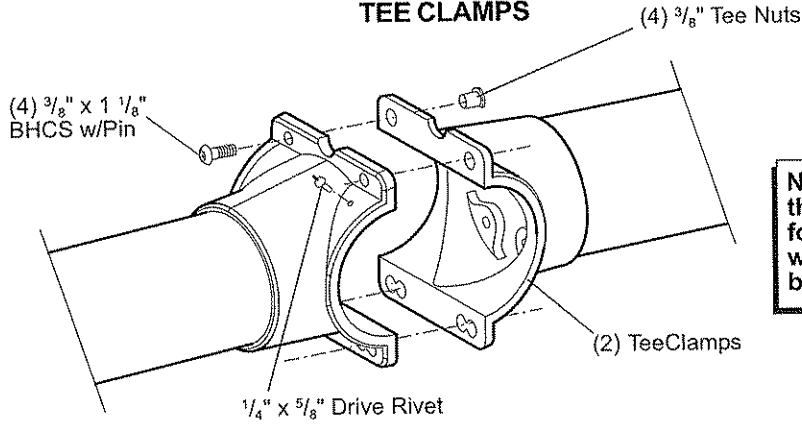
SAFETY NOTE
 Choose a protective surfacing material that has a Critical Height Value of at least the height of the Highest Accessible Part/Fall Height of the adjacent equipment. (Ref. ASTM F1487, SECTION 9.)

LANDSCAPE STRUCTURES



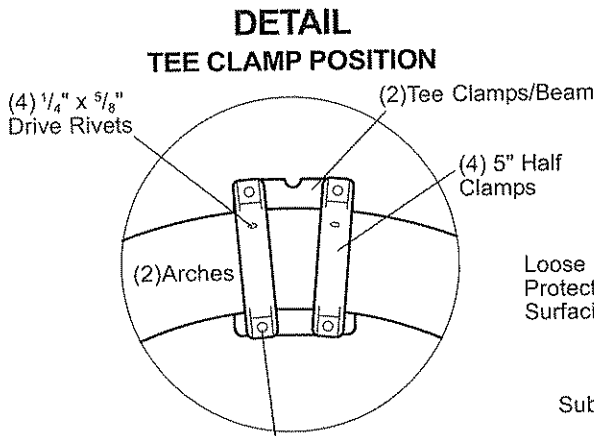
141320a0

DETAIL BACK TO BACK TEE CLAMPS



NOTE: Drill 1/4" hole through tee and arch for 1/4" x 5/8" drive rivet when installing back to back tee clamps.

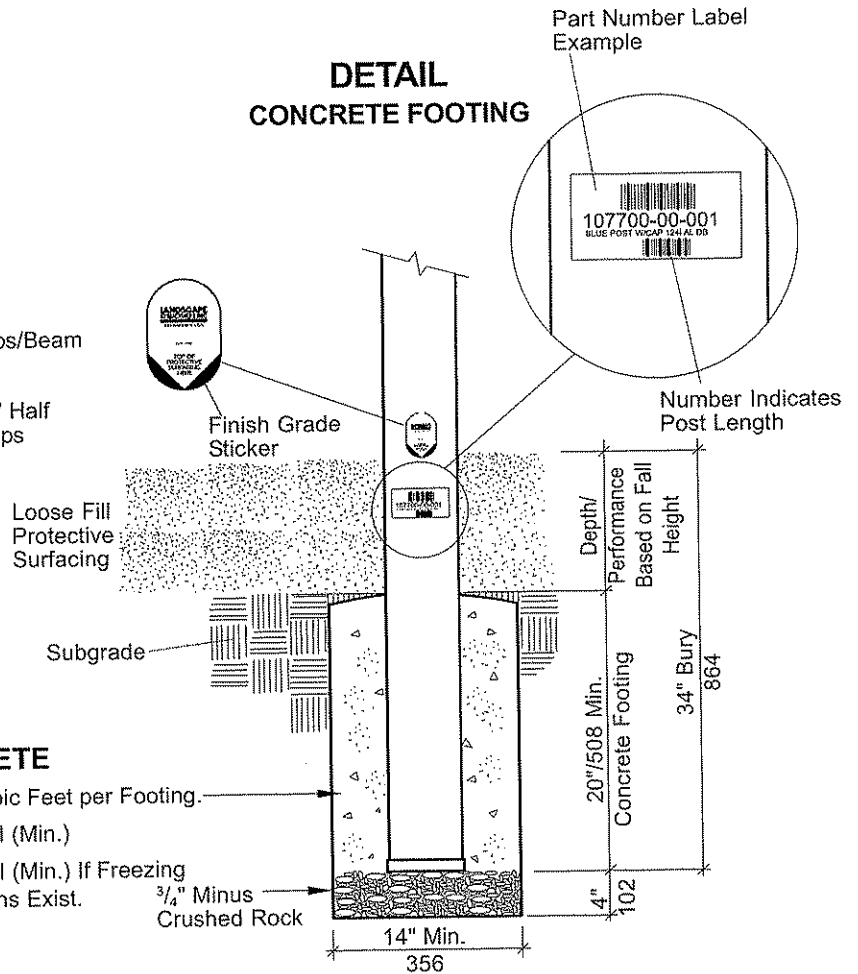
DETAIL CONCRETE FOOTING



NOTE: Use Inside Holes For (4) 3/8" x 1 1/8" BHCS w/Pin & 3/8" Tee Nuts

CONCRETE

- 1.87 Cubic Feet per Footing.
- 2000 PSI (Min.)
- 3000 PSI (Min.) if Freezing Conditions Exist.

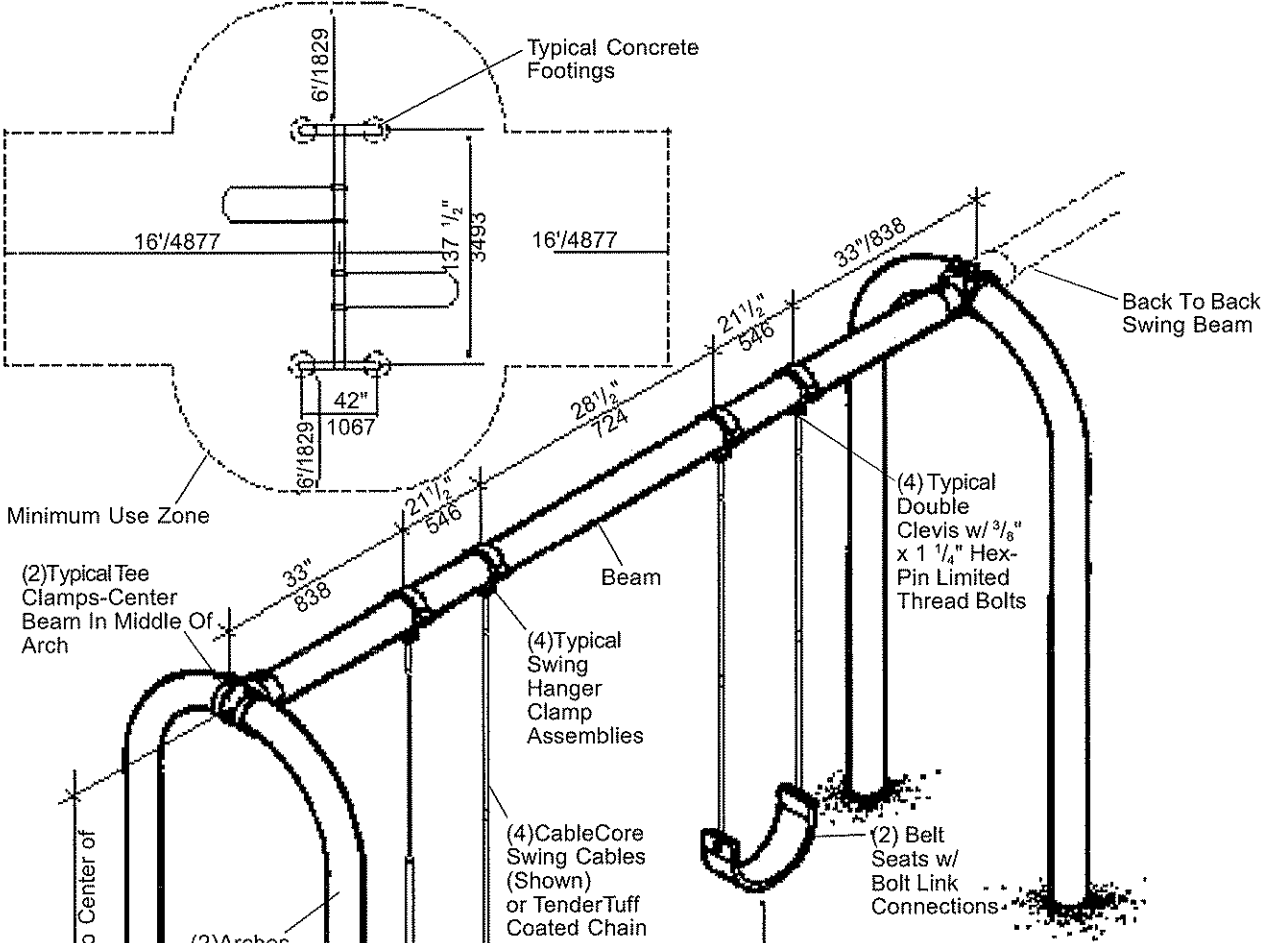


SAFETY NOTE
 Choose a protective surfacing material that has a Critical Height Value of at least the height of the Highest Accessible Part/Fall Height of the adjacent equipment. (Ref. ASTM F1487, SECTION 9.)



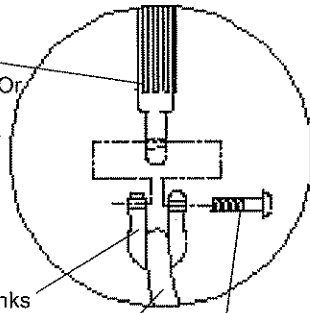
2-2-98
 12443500

PLAN VIEW/FOOTING LAYOUT

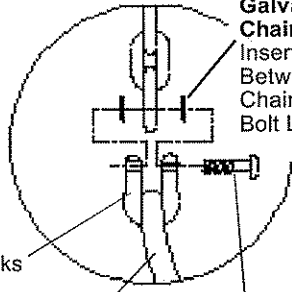


NOTE: Belt seats shown, other seats are available.

DETAIL BOLT LINK



DETAIL BOLT LINK



NOTE: Galvanized Chain Only. Insert (8) Spacers Between Chain Links & Bolt Links

Swings

100050 Arch Belt Swing

Sheet 1 of 2

601 7TH STREET SOUTH, P.O. BOX 198 DELANO, MINNESOTA 55328 (612) 972-3391 1-800-328-0035 FAX (612) 972-3185

Parts List

Part#	Description	Qty.
111740-00	Swing Arch, Specify Color	2
100198-00	3/8" x 1 1/8" Hex-Pin Cap Screw, SST	16
100610-00	1/4" x 3/8" Drive Rivet, AL/SST	8
100351-00	3/8" Tee Nut	16
105327-01	5" Half Clamp, Specify Color	8
105858-00	137 1/2" Swing Beam, Specify Color	1
100292-00	3/8" x 1 1/4" Hex-Pin Limited Thread Bolt, SST	4
106938-00	Boxed Belt Seat w/Chain	2
108343-00	67 3/8" Swing Chain, Specify Color	4
100053-00	Belt Seat	2
124428-00	Boxed Belt Seat w/CableCore Swing Cable	2
115811-00	67 3/8" CableCore Swing Cable, Brown	4
100053-00	Belt Seat	2
100113-00	Bolt Link Hardware Package	4
100631-00	Bolt Link	4
100292-00	3/8" x 1 1/4" Hex-Pin Limited Thread Bolt, SST	4
121291-00	Swing Hanger Clamp Assy. Specify Color	4
121289-00	Swing Hanger Clamp, Specify Color	4
100289-00	7/16" x 2 7/16" Hex-Pin Limited Thread Bolt, SST ...	4
100632-00	Swing Hanger Double Clevis	4
100667-00	Oillite Bushing	4

Specifications

Arch Posts: See PlayBooster (PB) General Specifications.

Swing Beam: Weldment comprised of tee clamps and 5" O.D. extruded 6061-T6 aluminum alloy tube with a .125" W. Finish: Powdercoat, color specified.

Chain: Steel 4/0 straight link chain, 670 lb. working load limit. Finish: TenderTuff, color specified.

CableCore Swing Cable: Made from 3/16" 7-19 galvanized aircraft cable. Cable ends fitted with bronze bearings. Coated with U.V. stabilized polyvinyl chloride (PVC) measuring 3/8" diameter with 1" diameter in handhold area, brown in color.

Belt Seats: Molded from UV stabilized black EPDM rubber with galvanized steel cable reinforcing and stainless steel encapsulated end plates. Belt seat measures 5" wide x 26" long x 3/4" thick.

Hanger Clamp Assembly: Cast aluminum. Finish: Powdercoat color specified.

Fasteners: Primary fasteners shall be socketed and pinned tamperproof in design, stainless steel (SST) per ASTM F 879 unless otherwise indicated (see specific product installation/specifications).

Installation Time: Approx. 3 man hours

Concrete Req.: Approx. 7.5 cu. ft.

Area Req.: 23' 10 1/2" x 32' (7.28m x 9.75m)

Weight: 212 lbs. Coated Chain

209 lbs. CableCore Swing Cable

Fall Height: 96 1/2" (2.45m)

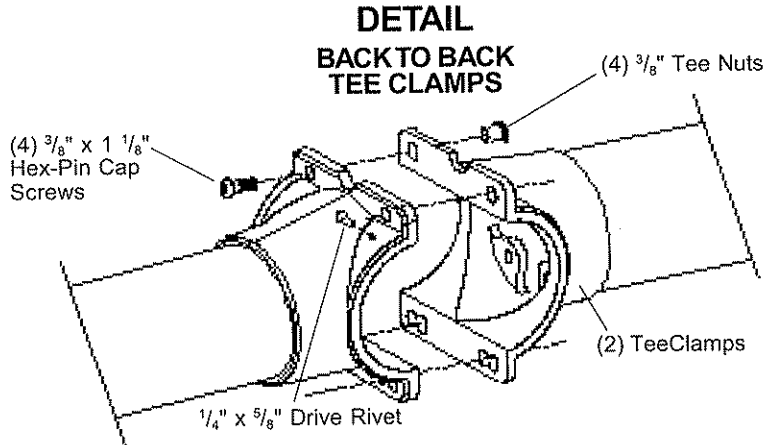
Installation Instructions

- 1) Dig footings, spaced as shown. Refer to the Typical Concrete Footing Spec Sheet.
- 2) Set arches in footing holes and attach swing beam to center of arches using 5" half clamps with 3/8" x 1 1/8" hex-pin cap screws with 3/8" tee nuts. Refer to the Tee Clamp Position Detail. Center of beam should be 99" above finished grade. When installing back to back swing beams refer to the Back To Back Tee Clamps Detail.
- 3) Level beam and plumb arches and temporarily prop in position. Pour concrete footings and let set for 72 hours before proceeding.
- 4) Locate, mark and attach swing hanger clamps to beam in locations shown. Refer to the Typical Swing Hanger Clamp Spec Sheet.
- 5) Attach swing chains/CableCore swing cables to double clevis using 3/8" x 1 1/4" hex-pin limited thread bolts. Attach chains/CableCore swing cables to belt seats using bolt links with 3/8" x 1 1/4" hex-pin limited thread bolts, position bolt heads inward facing user. Refer to the Bolt Link Detail. **NOTE: If using galvanized chain instead of TenderTuff coated chain, use spacers, (supplied with galvanized chain.) as shown in Detail.**
- 6) Install 1/4" x 5/8" drive rivets in all 5" half clamps. Refer to the Typical Offset Hanger Clamp Spec Sheet. Refer to the Back To Back Tee Clamps Detail.
- 7) Install protective surfacing before users are allowed to play on the swing.

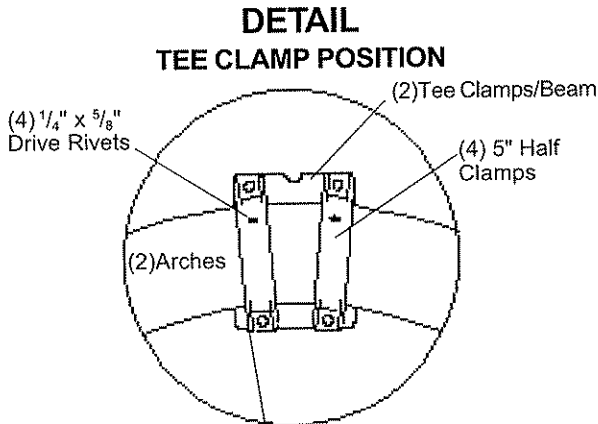
SAFETY NOTE
 Choose a protective surfacing material that has a Critical Height Value of at least the height of the Highest Accessible Part/Fall Height of the adjacent equipment. (Ref. ASTM F1487, SECTION 9.)



2-2-98
 124435a0



NOTE: Drill 1/4" hole through tee and arch for 1/4" x 5/8" drive rivet when installing back to back tee clamps.

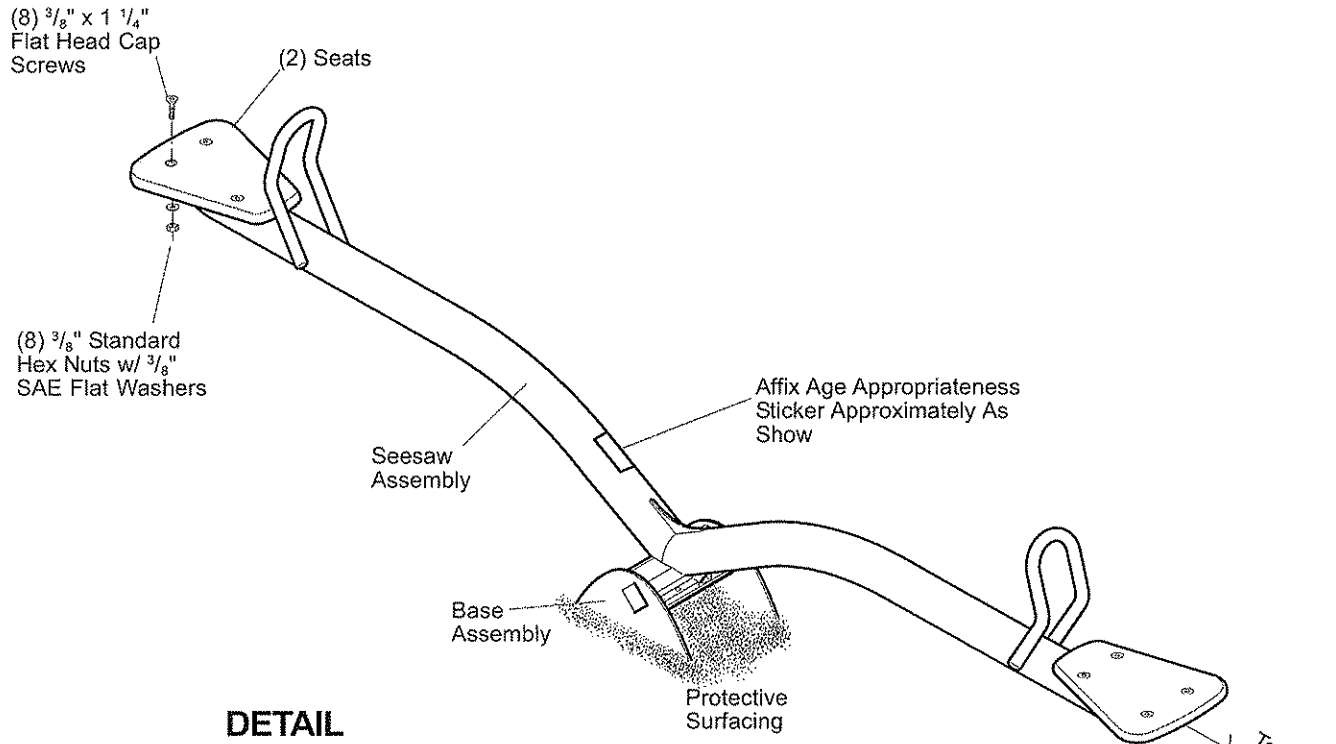


NOTE: Use Inside Holes For (4) 3/8" x 1 1/8" Hex-Pin Cap Screws & 3/8" Tee Nuts

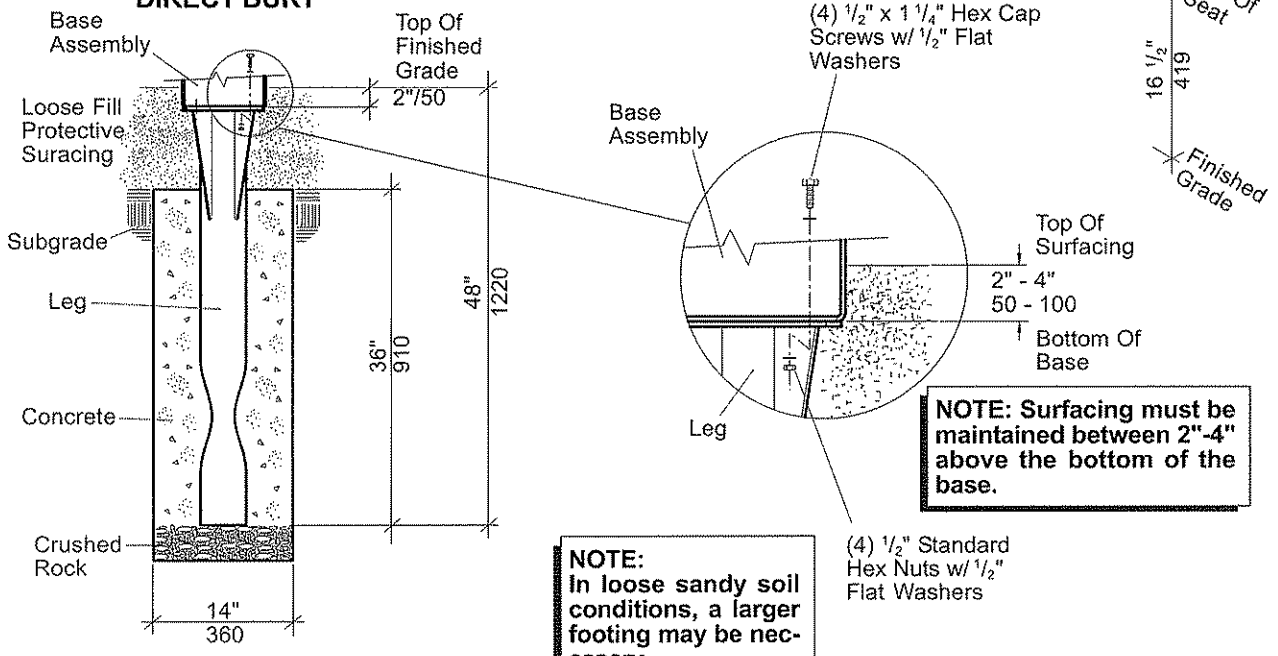
SAFETY NOTE
Choose a protective surfacing material that has a Critical Height Value of at least the height of the Highest Accessible Part/Fall Height of the adjacent equipment. (Ref. ASTM F1487, SECTION 9.)



16049400



**DETAIL
DIRECT BURY**



NOTE: Surfacing must be maintained between 2"-4" above the bottom of the base.

NOTE: In loose sandy soil conditions, a larger footing may be necessary.



JASPECS1169116992900.P65

Kids In Motion 148636 Seesaw, 2-Seat

Parts List

Part#	Description	Qty.
148881-00	Leg (DB), Specify Color	1
160199-00	Seat, Tan/Black	2
146007-00	5/16" 6-Lobe T-45 Bit	1
146017-00	5/16" 6-Lobe T-45 Key	1
159661-00	Seesaw 2-Place Assembly, Specify Color	1
100196-00	3/8" x 7/8" BHCS w/Pin, SST	8
100351-00	3/8" T-Nut, SST	12
113027-00	3/8" x 1 3/8" BHCS w/Pin, SST	4
128296-00	3/8" Hex Jam Nut, SST	12
156257-00	Base Assembly, Specify Color	1
159630-00	Seesaw 2-Place Weldment, Specify Color	1
149173-00	Torsion Half Clamp, Specify Color	1
149193-00	7/16" O.D. Spacer, SST	4
156370-00	Bolt Cover, Tan	4
149272-00	3/8" D-Cut Flat Washer, SST	8
149306-00	1.108" O.D. x 7 3/4" Long Rubber Rod	4
154164-00	Bushing	4
160492-00	2-Seat Seesaw Hardware Package	1
100252-00	3/8" x 1 1/4" Flat Head Cap Screw, SST	8
100327-00	1/2" Standard Hex Nut, SST	8
100365-00	3/8" SAE Flat Washer, SST	8
156846-00	Welcome Label, 2-12 Years	1
151765-00	Seesaw Leg Hardware Package (DB)	1
100216-00	1/2" x 1 1/4" Hex Cap Screw, SST	4
100363-00	1/2" Flat Washer, SST	8
129692-00	1/2" Standard Hex Nut, SST/Patch	4
120202-00	Spring Animal Hardware Package (SM)	1
100262-00	1/2" x 6" L-Anchors	4
100322-00	1/2" Standard Hex Nut, SST	4
100363-00	1/2" Flat Washer, SST	4

DB = Direct Bury
SM = Surface Mount

Specifications

Seesaw Assembly: (Seesaw) Weldment comprised of 3.500" O.D. RS20 (.125" wall) galvanized steel tube, 1.029" O.D. RS20 (.070"-.080" wall) galvanized steel tube, 1/8" HRPO flat steel, 12 Ga. (.105") sheet HRPO steel and 1/4" sheet HRPO steel. Finish: Powdercoat, color specified.

(Base Assembly) Weldment comprised of 1/4" sheet HRPO steel and 2" square steel bar. Finish: Powdercoat, color specified.

(Torsion Half Clamp) Fabricated from 1/4" sheet HRPO steel. Finish: Powdercoat, color specified.

(Rubber Rod) 1.108" O.D. 80 Durometer natural rubber.

(Bolt Covers) ABS Polymer Thermoplastic, Tan in color.

(Bushings) Plastic (UHMW), Black in color.

Leg: Weldment comprised of 5.000" O.D. x 11 Ga. (.120") galvanized steel tube, 1/4" sheet HRPO steel and 3/16" sheet HRPO steel. Finish: Powdercoat, color specified.

Seat: Permalene, Tan/Black in color.

Fasteners: Primary fasteners shall be socketed and pinned tamperproof in design, stainless steel (SST) per ASTM F 879 unless otherwise indicated (see specific product installation/specifications).

Installation Time: DB - Approx. 2 man hours
SM - Approx. 2 man hours

Concrete Req.: DB - Approx. 3 cu. ft.
SM - Approx. 1.5 cu. ft. (existing concrete slab)

Weight: DB - 146 lbs.
SM - 104 lbs.

Area Required: 12' 11" x 21' 7" (3,94 m x 6,58 m)
Fall Height: 29" (700 mm)

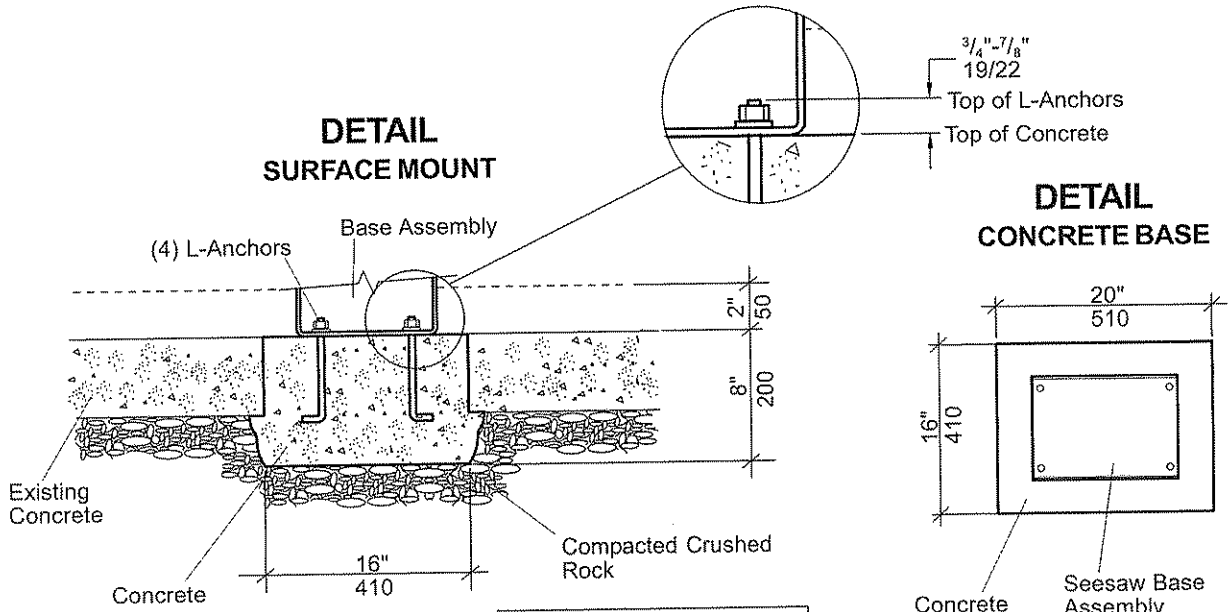
Installation Instructions

- (Direct Bury)** Dig footing to depth as shown. Refer to the Direct Bury Detail.
- Attach seats to to seesaw assembly using 3/8" x 1 1/4" flat head cap screws and 3/8" standard hex nuts with 3/8" SAE flat washers.
- Lay Seesaw on its side and attach leg using 1/2" x 1 1/4" hex cap screws with 1/2" flat washers and 1/2" standard hex nuts with 1/2" flat washers.
- Lift Seesaw upright and place leg in footing hole. With Stand-up Seesaw plumb pour concrete footing. Allow concrete footing to cure for a minimum of 72 hours before users are allowed to play on the structure.
- Install protective surfacing 2" - 4" above bottom of base assembly before users are allowed to play on the component.

- (Surface Mount)** Cut a rectangular hole in existing concrete to size as shown. After existing concrete has been removed, dig down deep enough to allow for compacted crushed rock and 8" of concrete. Refer to the Surface Mount and Concrete Base Details. **NOTE:** *When pouring new concrete slab, Seesaw base assembly with L-anchors requires a depth of 8" minimum directly under base.*

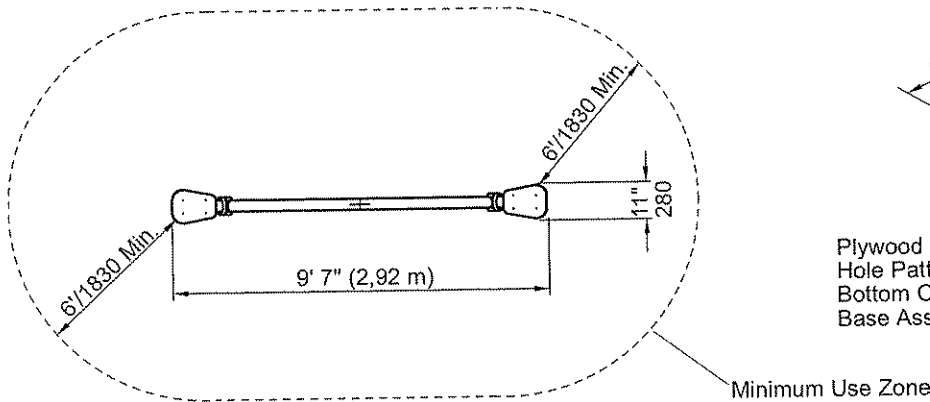
- Lay seesaw on its side. Using the base assembly as a pattern, make a plywood template for L-anchor placement and fasten L-anchors to template. Allow 3/4" - 7/8" of thread to protrude from template.
- Pour concrete in footing hole and lay template on surface of concrete. Push L-anchors into concrete and level plywood template. Allow concrete to cure for 72 hours before removing template. Refer to the Plywood Template Detail.
- Attach seats to to seesaw assembly using 3/8" x 1 1/4" flat head cap screws and 3/8" standard hex nuts with 3/8" SAE flat washers.
- Lift Seesaw assembly upright and place over L-anchors. Fasten Seesaw assembly to L-anchors using 1/2" standard hex nuts with 1/2" flat washers.
- Install protective surfacing 2" - 4" above bottom of base assembly before users are allowed to play on the component.

SAFETY NOTE
 Choose a protective surfacing material that has a Critical Height Value of at least the height of the Highest Accessible Part/Fall Height of the adjacent equipment. (Ref. ASTM F1487, SECTION 9.)

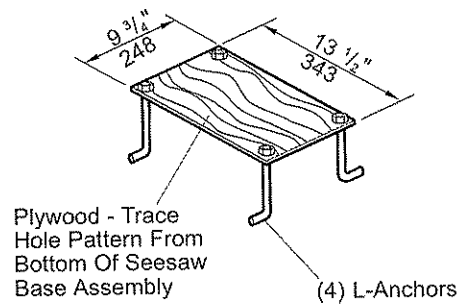


NOTE: When pouring new concrete slab, Seesaw base assembly with L-anchors requires a depth of 8" minimum directly under base.

PLAN VIEW



DETAIL PLYWOOD TEMPLATE

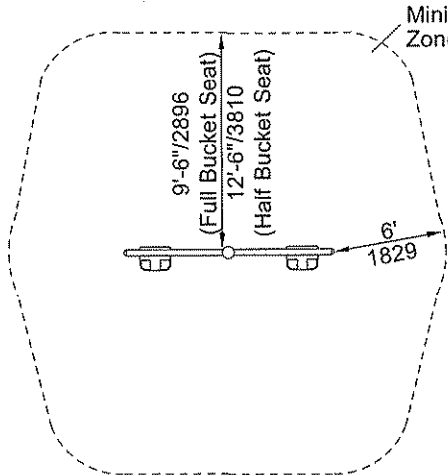


SAFETY NOTE
 Choose a protective surfacing material that has a Critical Height Value of at least the height of the Highest Accessible Part/Fall Height of the adjacent equipment. (Ref. ASTM F1487, SECTION 9.)



11-23-98
 12346500

**DETAIL
 SWING BEAM ATTACHMENT**



NOTE: Tighten all (4) cap screws equally.

(4) $\frac{3}{8}$ " Standard Hex Nuts w/ $\frac{3}{8}$ " SAE Flat Washers

(4) $\frac{3}{8}$ " x $1\frac{1}{8}$ " Hex-Pin Cap Screws

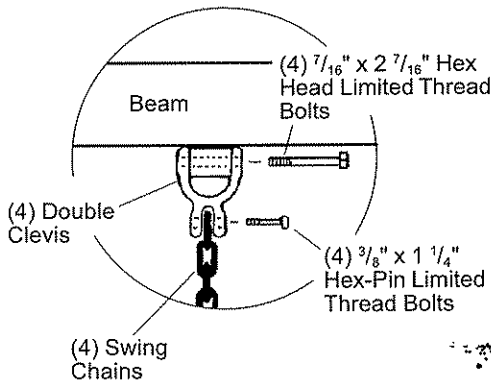
Swing Beam

Swing Beam

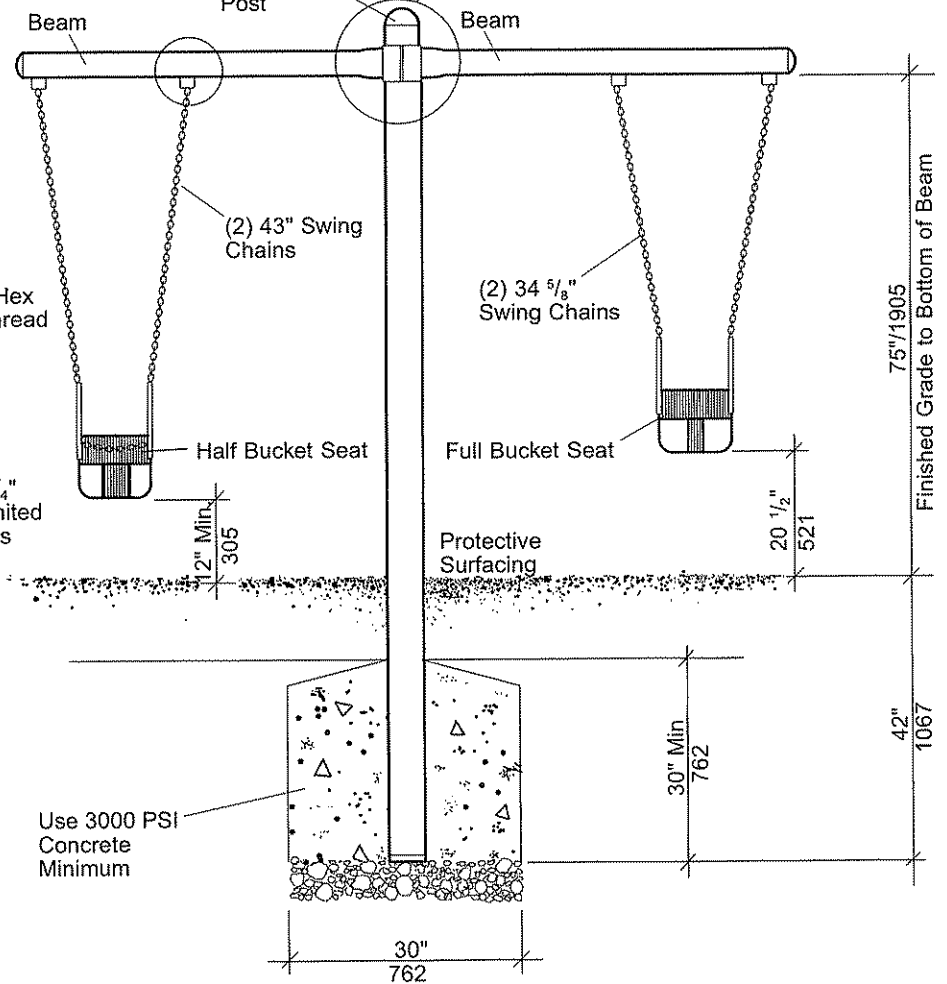
Typical PlayBooster Post

(2) $\frac{1}{4}$ " x $\frac{3}{8}$ " Drive Rivets

**DETAIL
 DOUBLE CLEVIS ATTACHMENT**



NOTE:
 This Swing is designed for users up to 5 years of age.



Use 3000 PSI Concrete Minimum

Swings

117962 Toddler Swing

Parts List

Part#	Description	Qty.
116547-00	Swing Beam, Specify Color	2
116653-00	Steel 124" (DB) Post, Specify Color	1
112531-00	34 5/8" Swing Chain (Full Bucket)	2/4
112532-00	43" Swing Chain (Half Bucket)	2/4
116882-00	Beam Hardware Package	1
100198-00	3/8" x 1 1/8" Hex-Pin Cap Screw, SST	4
100327-00	3/8" Standard Hex Nut, SST	4
100365-00	3/8" SAE Flat Washer, SST	4
100611-00	1/4" x 3/8" Drive Rivet, AL/SST	2
100111-00	Double Clevis Hardware Package	4
100289-00	7/16" x 2 7/16" Hex Head Limited Thread Bolt	4
100292-00	3/8" x 1 1/4" Hex-Pin Limited Thread Bolt, SST	4
100632-00	Double Clevis	4
112228-01	Half Bucket Seat w/Safety Chain	2
100290-00	3/8" x 7/8" Hex-Pin Limited Thread Bolt	4
112501-00	Chain Spacer	8
100055-01	Full Bucket Seat	2
100290-00	3/8" x 7/8" Hex-Pin Limited Thread Bolt	4
112501-00	Chain Spacer	8

Specifications

Post: See PlayBooster (PB) General Specifications.

Swing Beam: Weldment comprised of 3.500" O.D. RS-20 (.060"-.070") galvanized steel tubing, 6" wide zinc plated steel clamp, 3.500" pipe cap, and 1 1/4" housings with bronze bushings. Finish: Powdercoat, color specified.

Chain Spacer: Made from white nylon measuring .080" x .785" O.D..

Chain: Steel 4/0 straight link chain, 670 lb. working load limit. Finish: Hot galvanized.

Half Bucket Seat: Made of U.V. stabilized high-quality black rubber encapsulating a 24 GA (.024") stainless steel reinforcement plate. Handles cast from 356-T6 aluminum alloy with a 60 durometer black neoprene grip placed over handles. Handles attach to seat with (3) 1/4" x 1 5/16" long stainless steel rivets. A 2/0 galvanized safety chain with spring lock and plastic sleeve shall be attached. The half bucket measures 9" deep x 10 1/2" wide

Full Bucket Seat: Made of U.V. stabilized high-quality black rubber encapsulating a 24 GA (.024") stainless steel reinforcement plate. Handles cast from 356-T6 aluminum alloy with a 60 durometer black neoprene grip placed over handles. Handles attach to seat with (3) 1/4" x 1 5/16" long stainless steel rivets. The full bucket measures 9" deep x 10 1/2" wide.

Fasteners: Primary fasteners shall be socketed and pinned tamperproof in design, stainless steel (SST) per ASTM F 879 unless otherwise indicated (see specific product installation/specifications).

Installation Time: Approx. 3 man hours

Concrete Req.: Approx. 12.7 cu. ft.

Area Req.: 22' x 25' (6.7m x 7.62m)

Weight: w/ Half Bucket Seats 147 lbs.

w/ Full Bucket Seats 153 lbs.

Installation Instructions

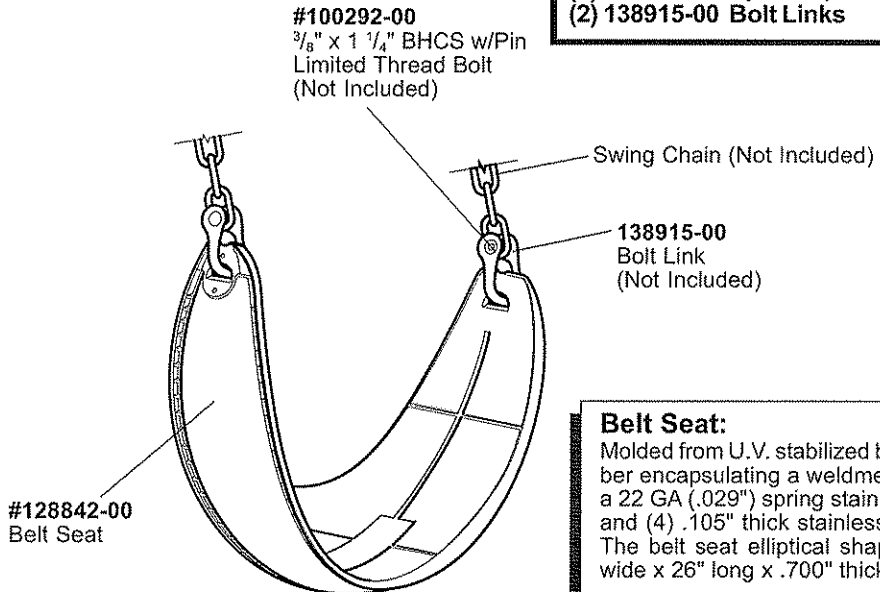
- 1) Dig footing spaced as shown.
- 2) Attach swing beams to post using 3/8" x 1 1/8" hex-pin cap screws and 3/8" standard hex nuts with 3/8" SAE flat washers. Refer to the Swing Beam Attachment Detail. **NOTE:** Tighten all (4) cap screws equally.
- 3) Set post with swing beams in footing hole and with post plumb, temporarily prop in position. **NOTE:** Bottom of beam should be 75" above finished grade.
- 4) Pour concrete footing and let cure for 7 days before proceeding. **NOTE:** Use 3000 PSI concrete minimum.
- 5) Attach double clevises to beams using 7/16" x 2 7/16" hex head limited thread bolts, and attach swing chains to double clevises using 3/8" 1 1/4" hex-pin limited thread bolts. Refer to the Double Clevis Attachment Detail.
- 6) Install Half Bucket Seat or Full Bucket Seat per their respective installation sheets.
- 7) Drill through hole in steel half clamps and into post with a 1/4" or "F" (only) drill bit. Install 1/4" x 3/8" drive rivets. Refer to the Swing Beam Attachment Detail.
- 8) Install protective surfacing before users are allowed to play on the structure.

SAFETY NOTE
Choose a protective surfacing material that has a Critical Height Value of at least the height of the Highest Accessible Part/Fall Height of the adjacent equipment. (Ref. ASTM F1487, SECTION 9.)

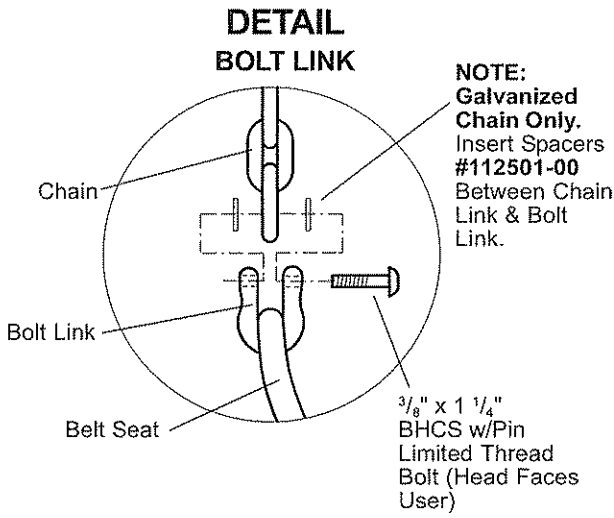
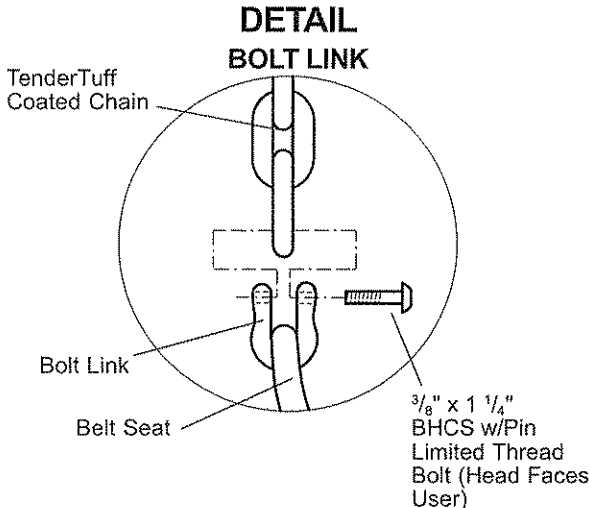


8-15-01
13385700

For Reference Only
132635-00 Hardware Package Consisting Of:
(2) 100292-00 3/8" x 1 1/4" BHCS w/Pin Ltd. Thread Bolt
(2) 138915-00 Bolt Links



Belt Seat:
Molded from U.V. stabilized black EPDM rubber encapsulating a weldment comprised of a 22 GA (.029") spring stainless steel sheet, and (4) .105" thick stainless steel washers. The belt seat elliptical shape measures 7" wide x 26" long x .700" thick.



Swings

132385 Swing Seat, Belt

State of West Virginia
VENDOR PREFERENCE CERTIFICATE

Certification and application* is hereby made for Preference in accordance with *West Virginia Code*, §5A-3-37. (Does not apply to construction contracts). *West Virginia Code*, §5A-3-37, provides an opportunity for qualifying vendors to request (at the time of bid) preference for their residency status. Such preference is an evaluation method only and will be applied only to the cost bid in accordance with the *West Virginia Code*. This certificate for application is to be used to request such preference. The Purchasing Division will make the determination of the Resident Vendor Preference, if applicable.

1. **Application is made for 2.5% resident vendor preference for the reason checked:**
 Bidder is an individual resident vendor and has resided continuously in West Virginia for four (4) years immediately preceding the date of this certification; **or**,
 Bidder is a partnership, association or corporation resident vendor and has maintained its headquarters or principal place of business continuously in West Virginia for four (4) years immediately preceding the date of this certification; **or** 80% of the ownership interest of Bidder is held by another individual, partnership, association or corporation resident vendor who has maintained its headquarters or principal place of business continuously in West Virginia for four (4) years immediately preceding the date of this certification; **or**,
 Bidder is a nonresident vendor which has an affiliate or subsidiary which employs a minimum of one hundred state residents and which has maintained its headquarters or principal place of business within West Virginia continuously for the four (4) years immediately preceding the date of this certification; **or**,
2. **Application is made for 2.5% resident vendor preference for the reason checked:**
 Bidder is a resident vendor who certifies that, during the life of the contract, on average at least 75% of the employees working on the project being bid are residents of West Virginia who have resided in the state continuously for the two years immediately preceding submission of this bid; **or**,
3. **Application is made for 2.5% resident vendor preference for the reason checked:**
 Bidder is a nonresident vendor employing a minimum of one hundred state residents or is a nonresident vendor with an affiliate or subsidiary which maintains its headquarters or principal place of business within West Virginia employing a minimum of one hundred state residents who certifies that, during the life of the contract, on average at least 75% of the employees or Bidder's affiliate's or subsidiary's employees are residents of West Virginia who have resided in the state continuously for the two years immediately preceding submission of this bid; **or**,
4. **Application is made for 5% resident vendor preference for the reason checked:**
 Bidder meets either the requirement of both subdivisions (1) and (2) or subdivision (1) and (3) as stated above; **or**,
5. **Application is made for 3.5% resident vendor preference who is a veteran for the reason checked:**
 Bidder is an individual resident vendor who is a veteran of the United States armed forces, the reserves or the National Guard and has resided in West Virginia continuously for the four years immediately preceding the date on which the bid is submitted; **or**,
6. **Application is made for 3.5% resident vendor preference who is a veteran for the reason checked:**
 Bidder is a resident vendor who is a veteran of the United States armed forces, the reserves or the National Guard, if, for purposes of producing or distributing the commodities or completing the project which is the subject of the vendor's bid and continuously over the entire term of the project, on average at least seventy-five percent of the vendor's employees are residents of West Virginia who have resided in the state continuously for the two immediately preceding years.

Bidder understands if the Secretary of Revenue determines that a Bidder receiving preference has failed to continue to meet the requirements for such preference, the Secretary may order the Director of Purchasing to: (a) reject the bid; or (b) assess a penalty against such Bidder in an amount not to exceed 5% of the bid amount and that such penalty will be paid to the contracting agency or deducted from any unpaid balance on the contract or purchase order.

By submission of this certificate, Bidder agrees to disclose any reasonably requested information to the Purchasing Division and authorizes the Department of Revenue to disclose to the Director of Purchasing appropriate information verifying that Bidder has paid the required business taxes, provided that such information does not contain the amounts of taxes paid nor any other information deemed by the Tax Commissioner to be confidential.

Under penalty of law for false swearing (*West Virginia Code*, §61-5-3), Bidder hereby certifies that this certificate is true and accurate in all respects; and that if a contract is issued to Bidder and if anything contained within this certificate changes during the term of the contract, Bidder will notify the Purchasing Division in writing immediately.

Bidder: SERVICE SUPPLY LTD., INC.

Signed: 

Date: FEBRUARY 26, 2010

Title: JERRY GROVES, VICE PRESIDENT

*Check any combination of preference consideration(s) indicated above, which you are entitled to receive.

RFQ No. DNR210144

STATE OF WEST VIRGINIA
Purchasing Division

PURCHASING AFFIDAVIT

West Virginia Code §5A-3-10a states: No contract or renewal of any contract may be awarded by the state or any of its political subdivisions to any vendor or prospective vendor when the vendor or prospective vendor or a related party to the vendor or prospective vendor is a debtor and the debt owed is an amount greater than one thousand dollars in the aggregate.

DEFINITIONS:

"Debt" means any assessment, premium, penalty, fine, tax or other amount of money owed to the state or any of its political subdivisions because of a judgment, fine, permit violation, license assessment, defaulted workers' compensation premium, penalty or other assessment presently delinquent or due and required to be paid to the state or any of its political subdivisions, including any interest or additional penalties accrued thereon.

"Debtor" means any individual, corporation, partnership, association, limited liability company or any other form or business association owing a debt to the state or any of its political subdivisions. "Political subdivision" means any county commission; municipality; county board of education; any instrumentality established by a county or municipality; any separate corporation or instrumentality established by one or more counties or municipalities, as permitted by law; or any public body charged by law with the performance of a government function or whose jurisdiction is coextensive with one or more counties or municipalities. "Related party" means a party, whether an individual, corporation, partnership, association, limited liability company or any other form or business association or other entity whatsoever, related to any vendor by blood, marriage, ownership or contract through which the party has a relationship of ownership or other interest with the vendor so that the party will actually or by effect receive or control a portion of the benefit, profit or other consideration from performance of a vendor contract with the party receiving an amount that meets or exceeds five percent of the total contract amount.

EXCEPTION: The prohibition of this section does not apply where a vendor has contested any tax administered pursuant to chapter eleven of this code, workers' compensation premium, permit fee or environmental fee or assessment and the matter has not become final or where the vendor has entered into a payment plan or agreement and the vendor is not in default of any of the provisions of such plan or agreement.

Under penalty of law for false swearing (*West Virginia Code §61-5-3*), it is hereby certified that the vendor affirms and acknowledges the information in this affidavit and is in compliance with the requirements as stated.

WITNESS THE FOLLOWING SIGNATURE

Vendor's Name: SERVICE SUPPLY LTD., INC.

Authorized Signature: *Jerry Groves* Date: FEBRUARY 26, 2010
JERRY GROVES, VICE PRESIDENT

State of OHIO

County of FRANKLIN, to-wit:

Taken, subscribed, and sworn to before me this 26TH day of FEBRUARY, 2010.

My Commission expires DECEMBER 25, 2012

AFFIX SEAL HERE

NOTARY PUBLIC

Constance S. Triplett



CONSTANCE S. TRIPLETT
Notary Public, State of Ohio
My Commission Expires December 25, 2012