



State of West Virginia
 Department of Administration
 Purchasing Division
 2019 Washington Street East
 Post Office Box 50130
 Charleston, WV 25305-0130

Request for Quotation

RFQ NUMBER
6610C012

PAGE
1

ADDRESS CORRESPONDENCE TO ATTENTION OF
MICHAEL AUSTIN
304-558-2402

VENDOR
 *310143042 320-834-2595
VARITECH INDUSTRIES INC
PO BOX 457
ALEXANDRIA MN 56308-0457

SHIP TO
DIVISION OF HIGHWAYS
VARIOUS LOCALES AS INDICATED
BY ORDER

DATE PRINTED 12/23/2009	TERMS OF SALE	SHIP VIA	F.O.B.	FREIGHT TERMS
-----------------------------------	---------------	----------	--------	---------------

BID OPENING DATE: **01/06/2010** BID OPENING TIME **01:30PM**

LINE	QUANTITY	UOP	CAT. NO.	ITEM NUMBER	UNIT PRICE	AMOUNT
0001	1	EA		330-61	See Attached	
BRINE STORAGE TANKS OPEN END CONTRACT TO PROVIDE LABOR, EQUIPMENT, MATERIALS AND ASSEMBLY OF BRINE STORAGE TANKS FOR THE WEST VIRGINIA DIVISION OF HIGHWAYS PER THE ATTACHED SPECIFICATIONS. THE QUANTITIES LISTED ARE ONLY ESTIMATES. THE MODEL/BRAND/SPECIFICATIONS NAMED HEREIN ESTABLISH THE ACCEPTABLE LEVEL OF QUALITY ONLY AND ARE NOT INTENDED TO REFLECT A PREFERENCE OR FAVOR ANY PARTICULAR BRAND OR VENDOR. VENDORS WHO ARE BIDDING ALTERNATES SHOULD SO STATE AND INCLUDE PERTINENT LITERATURE AND SPECIFICATIONS. FAILURE TO PROVIDE INFORMATION FOR ANY ALTERNATES MAY BE GROUNDS FOR REJECTION OF THE BID. THE STATE RESERVES THE RIGHT TO WAIVE MINOR IRREGULARITIES IN BIDS OR SPECIFICATIONS IN ACCORDANCE WITH SECTION 148-1-4(F) OF THE WEST VIRGINIA LEGISLATIVE RULES AND REGULATIONS. PURCHASING CARD ACCEPTANCE: THE STATE OF WEST VIRGINIA CURRENTLY UTILIZES A VISA PURCHASING CARD PROGRAM WHICH IS ISSUED THROUGH A BANK. THE SUCCESSFUL VENDOR MUST ACCEPT THE STATE OF WEST VIRGINIA VISA PURCHASING CARD FOR PAYMENT OF ALL ORDERS PLACED BY ANY STATE						

RECEIVED
 2010 JAN -6 A 10: 33
 PURCHASING DIVISION
 STATE OF WV

SEE REVERSE SIDE FOR TERMS AND CONDITIONS

SIGNATURE *[Signature]* TELEPHONE **1-888-208-0686** DATE **1-5-10**

TITLE **Sales** FEIN **41-1557096** ADDRESS CHANGES TO BE NOTED ABOVE

WHEN RESPONDING TO RFQ, INSERT NAME AND ADDRESS IN SPACE ABOVE LABELED 'VENDOR'



State of West Virginia
 Department of Administration
 Purchasing Division
 2019 Washington Street East
 Post Office Box 50130
 Charleston, WV 25305-0130

**Request for
 Quotation**

RFQ NUMBER
6610C012

PAGE
2

ADDRESS CORRESPONDENCE TO ATTENTION OF
MICHAEL AUSTIN 304-558-2402

VENDOR

*310143042 320-834-2595
 VARITECH INDUSTRIES INC
 PO BOX 457
 ALEXANDRIA MN 56308-0457

SHIP TO

DIVISION OF HIGHWAYS
 VARIOUS LOCALES AS INDICATED
 BY ORDER

DATE PRINTED	TERMS OF SALE	SHIP VIA	F.O.B.	FREIGHT TERMS
12/23/2009				

BID OPENING DATE: **01/06/2010** BID OPENING TIME **01:30PM**

LINE	QUANTITY	UOP	CAT. NO.	ITEM NUMBER	UNIT PRICE	AMOUNT
<p>AGENCY AS A CONDITION OF AWARD.</p> <p>EXHIBIT 3</p> <p>LIFE OF CONTRACT: THIS CONTRACT BECOMES EFFECTIVE ON AND EXTENDS FOR A PERIOD OF ONE (1) YEAR OR UNTIL SUCH "REASONABLE TIME" THEREAFTER AS IS NECESSARY TO OBTAIN A NEW CONTRACT OR RENEW THE ORIGINAL CONTRACT. THE "REASONABLE TIME" PERIOD SHALL NOT EXCEED TWELVE (12) MONTHS. DURING THIS "REASONABLE TIME" THE VENDOR MAY TERMINATE THIS CONTRACT FOR ANY REASON UPON GIVING THE DIRECTOR OF PURCHASING 30 DAYS WRITTEN NOTICE.</p> <p>UNLESS SPECIFIC PROVISIONS ARE STIPULATED ELSEWHERE IN THIS CONTRACT DOCUMENT, THE TERMS, CONDITIONS AND PRICING SET HEREIN ARE FIRM FOR THE LIFE OF THE CONTRACT.</p> <p>RENEWAL: THIS CONTRACT MAY BE RENEWED UPON THE MUTUAL WRITTEN CONSENT OF THE SPENDING UNIT AND VENDOR, SUBMITTED TO THE DIRECTOR OF PURCHASING THIRTY (30) DAYS PRIOR TO THE EXPIRATION DATE. SUCH RENEWAL SHALL BE IN ACCORDANCE WITH THE TERMS AND CONDITIONS OF THE ORIGINAL CONTRACT AND SHALL BE LIMITED TO TWO (2) ONE (1) YEAR PERIODS.</p> <p>CANCELLATION: THE DIRECTOR OF PURCHASING RESERVES THE RIGHT TO CANCEL THIS CONTRACT IMMEDIATELY UPON WRITTEN NOTICE TO THE VENDOR IF THE COMMODITIES AND/OR SERVICES SUPPLIED ARE OF AN INFERIOR QUALITY OR DO NOT CONFORM TO THE SPECIFICATIONS OF THE BID AND CONTRACT HEREIN.</p> <p>OPEN MARKET CLAUSE: THE DIRECTOR OF PURCHASING MAY</p>						

SIGNATURE <i>[Signature]</i>		SEE REVERSE SIDE FOR TERMS AND CONDITIONS	
TITLE <i>Sales</i>	FEIN <i>41-1557096</i>	TELEPHONE <i>1-888-208-0686</i>	DATE <i>1-5-10</i>
ADDRESS CHANGES TO BE NOTED ABOVE			

WHEN RESPONDING TO RFQ, INSERT NAME AND ADDRESS IN SPACE ABOVE LABELED 'VENDOR'



State of West Virginia
 Department of Administration
 Purchasing Division
 2019 Washington Street East
 Post Office Box 50130
 Charleston, WV 25305-0130

Request for Quotation

RFQ NUMBER
6610C012

PAGE
3

ADDRESS CORRESPONDENCE TO ATTENTION OF:
MICHAEL AUSTIN 304-558-2402

VENDOR

*310143042 320-834-2595
 VARITECH INDUSTRIES INC
 PO BOX 457

 ALEXANDRIA MN 56308-0457

SHIP TO

DIVISION OF HIGHWAYS
 VARIOUS LOCALES AS INDICATED
 BY ORDER

DATE PRINTED	TERMS OF SALE	SHIP VIA	F.O.B.	FREIGHT TERMS
12/23/2009				
BID OPENING DATE: 01/06/2010		BID OPENING TIME 01:30PM		

LINE	QUANTITY	UOP	CAT NO	ITEM NUMBER	UNIT PRICE	AMOUNT
<p>AUTHORIZE A SPENDING UNIT TO PURCHASE ON THE OPEN MARKET, WITHOUT THE FILING OF A REQUISITION OR COST ESTIMATE, ITEMS SPECIFIED ON THIS CONTRACT FOR IMMEDIATE DELIVERY IN EMERGENCIES DUE TO UNFORESEEN CAUSES (INCLUDING BUT NOT LIMITED TO DELAYS IN TRANSPORTATION OR AN UNANTICIPATED INCREASE IN THE VOLUME OF WORK.)</p> <p>QUANTITIES: QUANTITIES LISTED IN THE REQUISITION ARE APPROXIMATIONS ONLY, BASED ON ESTIMATES SUPPLIED BY THE STATE SPENDING UNIT. IT IS UNDERSTOOD AND AGREED THAT THE CONTRACT SHALL COVER THE QUANTITIES ACTUALLY ORDERED FOR DELIVERY DURING THE TERM OF THE CONTRACT, WHETHER MORE OR LESS THAN THE QUANTITIES SHOWN.</p> <p>ORDERING PROCEDURE: SPENDING UNIT(S) SHALL ISSUE A WRITTEN STATE CONTRACT ORDER (FORM NUMBER WV-39) TO THE VENDOR FOR COMMODITIES COVERED BY THIS CONTRACT. THE ORIGINAL COPY OF THE WV-39 SHALL BE MAILED TO THE VENDOR AS AUTHORIZATION FOR SHIPMENT, A SECOND COPY MAILED TO THE PURCHASING DIVISION, AND A THIRD COPY RETAINED BY THE SPENDING UNIT.</p> <p>BANKRUPTCY: IN THE EVENT THE VENDOR/CONTRACTOR FILES FOR BANKRUPTCY PROTECTION, THE STATE MAY DEEM THE CONTRACT NULL AND VOID, AND TERMINATE SUCH CONTRACT WITHOUT FURTHER ORDER.</p> <p>THE TERMS AND CONDITIONS CONTAINED IN THIS CONTRACT SHALL SUPERSEDE ANY AND ALL SUBSEQUENT TERMS AND CONDITIONS WHICH MAY APPEAR ON ANY ATTACHED PRINTED DOCUMENTS SUCH AS PRICE LISTS, ORDER FORMS, SALES AGREEMENTS OR MAINTENANCE AGREEMENTS, INCLUDING ANY ELECTRONIC MEDIUM SUCH AS CD-ROM.</p> <p>REV. 05/26/2009</p>						

SEE REVERSE SIDE FOR TERMS AND CONDITIONS			
SIGNATURE	TELEPHONE	DATE	
<i>[Signature]</i>	1-888-208-0686	1-5-10	
TITLE	FEIN	ADDRESS CHANGES TO BE NOTED ABOVE	
Sales	41-1557096		

WHEN RESPONDING TO RFQ, INSERT NAME AND ADDRESS IN SPACE ABOVE LABELED 'VENDOR'



State of West Virginia
 Department of Administration
 Purchasing Division
 2019 Washington Street East
 Post Office Box 50130
 Charleston, WV 25305-0130

Request for Quotation

RFQ NUMBER
6610C012

PAGE
4

ADDRESS CORRESPONDENCE TO ATTENTION OF:
MICHAEL AUSTIN
304-558-2402

VENDOR

*310143042 320-834-2595
 VARITECH INDUSTRIES INC
 PO BOX 457

 ALEXANDRIA MN 56308-0457

SHIP TO

DIVISION OF HIGHWAYS
 VARIOUS LOCALES AS INDICATED
 BY ORDER

DATE PRINTED	TERMS OF SALE	SHIP VIA	F.O.B.	FREIGHT TERMS
12/23/2009				

BID OPENING DATE: **01/06/2010** BID OPENING TIME **01:30PM**

LINE	QUANTITY	UOP	CAT. NO.	ITEM NUMBER	UNIT PRICE	AMOUNT
EXHIBIT 10 REQUISITION NO.: 6610C012 ADDENDUM ACKNOWLEDGEMENT I HEREBY ACKNOWLEDGE RECEIPT OF THE FOLLOWING CHECKED ADDENDUM(S) AND HAVE MADE THE NECESSARY REVISIONS TO MY PROPOSAL, PLANS AND/OR SPECIFICATION, ETC. ADDENDUM NO.'S: NO. 1 <i>[Signature]</i> NO. 2 <i>[Signature]</i> NO. 3 NO. 4 NO. 5 I UNDERSTAND THAT FAILURE TO CONFIRM THE RECEIPT OF THE ADDENDUM(S) MAY BE CAUSE FOR REJECTION OF BIDS. VENDOR MUST CLEARLY UNDERSTAND THAT ANY VERBAL REPRESENTATION MADE OR ASSUMED TO BE MADE DURING ANY ORAL DISCUSSION HELD BETWEEN VENDOR'S REPRESENTATIVES AND ANY STATE PERSONNEL IS NOT BINDING. ONLY THE INFORMATION ISSUED IN WRITING AND ADDED TO THE SPECIFICATIONS BY AN OFFICIAL ADDENDUM IS BINDING. <i>[Signature]</i>						

SEE REVERSE SIDE FOR TERMS AND CONDITIONS

SIGNATURE <i>[Signature]</i>	TELEPHONE 1-888-208-0686	DATE 1-5-10
TITLE Sales	FEIN 41-1557096	ADDRESS CHANGES TO BE NOTED ABOVE

WHEN RESPONDING TO RFQ, INSERT NAME AND ADDRESS IN SPACE ABOVE LABELED 'VENDOR'



State of West Virginia
 Department of Administration
 Purchasing Division
 2019 Washington Street East
 Post Office Box 50130
 Charleston, WV 25305-0130

Request for Quotation

RFQ NUMBER:
6610C012

PAGE:
6

ADDRESS CORRESPONDENCE TO ATTENTION OF:
MICHAEL AUSTIN
304-558-2402

VENDOR

*310143042 320-834-2595
 VARITECH INDUSTRIES INC
 PO BOX 457

 ALEXANDRIA MN 56308-0457

SHIP TO

DIVISION OF HIGHWAYS
 VARIOUS LOCALES AS INDICATED
 BY ORDER

DATE PRINTED	TERMS OF SALE	SHIP VIA	F.O.B.	FREIGHT TERMS
12/23/2009				

BID OPENING DATE: **01/06/2010** BID OPENING TIME: **01:30PM**

LINE	QUANTITY	UOP	CAT. NO.	ITEM NUMBER	UNIT PRICE	AMOUNT
<p>BID OPENING TIME: -----</p> <p>PLEASE PROVIDE A FAX NUMBER IN CASE IT IS NECESSARY TO CONTACT YOU REGARDING YOUR BID: ----- 1-320-763-5612 -----</p> <p>CONTACT PERSON (PLEASE PRINT CLEARLY): ----- Lee Wilken -----</p> <p>***** THIS IS THE END OF RFQ 6610C012 ***** TOTAL: _____</p>						

SEE REVERSE SIDE FOR TERMS AND CONDITIONS

SIGNATURE: *[Signature]* TELEPHONE: **1-888-208-0686** DATE: **1-5-10**

TITLE: **Sales** FEIN: **41-1557096** ADDRESS CHANGES TO BE NOTED ABOVE

WHEN RESPONDING TO RFQ, INSERT NAME AND ADDRESS IN SPACE ABOVE LABELED 'VENDOR'



State of West Virginia
 Department of Administration
 Purchasing Division
 2019 Washington Street East
 Post Office Box 50130
 Charleston, WV 25305-0130

Request for Quotation

RFQ NUMBER
 6610C012

PAGE
 1

ADDRESS CORRESPONDENCE TO ATTENTION OF
 MICHAEL AUSTIN
 304-558-2402

*310143042 320-834-2595
 VARITECH INDUSTRIES INC
 PO BOX 457
 ALEXANDRIA MN 56308-0457

SHIP TO
 DIVISION OF HIGHWAYS
 VARIOUS LOCALES AS INDICATED
 BY ORDER

DATE PRINTED	TERMS OF SALE	SHIP VIA	F.O.B.	FREIGHT TERMS
12/29/2009				

BID OPENING DATE: 01/06/2010 BID OPENING TIME 01:30PM

LINE	QUANTITY	UOP	CAT. NO.	ITEM NUMBER	UNIT PRICE	AMOUNT
ADDENDUM NO. 1						
TO ADD SPECIFICATIONS PER THE ATTACHED						
BID OPENING DATE AND TIME REMAINS THE SAME						
NO OTHER CHANGES						
0001	1	EA		830-61	See Attached	
BRINE STORAGE TANKS						
***** THIS IS THE END OF RFQ 6610C012 ***** TOTAL:						

SEE REVERSE SIDE FOR TERMS AND CONDITIONS

SIGNATURE *[Signature]* TELEPHONE 1-888-208-0686 DATE 1-5-10

TITLE Sales FEIN 41-1557096 ADDRESS CHANGES TO BE NOTED ABOVE

WHEN RESPONDING TO RFQ, INSERT NAME AND ADDRESS IN SPACE ABOVE LABELED 'VENDOR'

Locations

<u>Nearest City</u>	<u>District</u>	<u>County</u>
Charleston	D-1	Kanawha
Sissonville	D-1	Kanawha
Amma	D-1	Kanawha
St. Albans	D-1	Putnam
Huntington	D-2	Cabell
Chapmanville	D-2	Logan
Ripley	D-3	Jackson
Parkersburg	D-3	Wood
Clarksburg	D-4	Harrison
Morgantown	D-4	Monongalia
Bruceton Mills	D-4	Preston
Martinsburg	D-5	Berkeley
Moorefield	D-5	Hardy
Wheeling	D-6	Ohio
Moundsville	D-6	Marshall
Sutton	D-7	Braxton
Weston	D-7	Lewis
Elkins	D-8	Randolph
Parsons	D-8	Tucker
Lewisburg	D-9	Greenbrier
Summersville	D-9	Nicholas
Princeton	D-10	Mercer
Beckley	D-10	Raleigh

Bid Sheet District 1

Item No.	Quantity	Description	Amount
001	2.00	<p>2,500 gallon heavy duty construction vertical polyethylene storage tank Norwesco Model #40052 or equal with SG 1.9, 95" diameter, 91" height, with a 2" outlet drain and a 2" fill port installed near the top of each tank with 20 feet of 100 psi flexible 2" fill hose with a 2" polypropylene quick connect attached. A shutoff valve shall be installed at the 2" outlet drain of each tank and the tanks shall be plumbed with 2" schedule 80 pvc to a common outlet, or T, with a shut off valve at the T. Price to include delivery, assembly, labor, parts, and materials.</p> <p>Delivery: FOB any designated delivery site within the Division of Highways District 1</p>	<p style="font-size: 1.2em;">\$2316²⁸ each</p> <p style="font-size: 1.2em;">\$4632.56 total</p>
002	2.00	<p>2,500 gallon heavy duty construction vertical polyethylene storage tank Norwesco Model #40052 or equal with SG 1.9, 95" diameter, 91" height, with a 2" outlet drain and a 2" fill port installed near the top of each tank. Each tank shall be enclosed in secondary containment in a way that prevents rainfall from entering the containment, which consists of a vertical polyethylene storage tank, SG 1.5, that provides 110% capacity for secondary containment. Valves, bulkhead fittings, nipples, tees, and elbows must be 316 stainless steel unless noted. Containment tanks shall have a 16" lockable manway lid located above the storage tank lid. The containment tanks shall have plumbing from the storage tank thru the containment tank as follows: 2" stainless steel bolted inlet assembly and flexible interconnect, 2" stainless steel bolted gravity drain assembly and flexible interconnect with stainless steel valve. The flexible interconnects shall be ultra high molecular weight polyethylene chemical hose. The containment tanks shall have a 3" poly vent with cap and screen, 2" drain with PVC valve and plug, 3/4" flexible PVC sight gauge off drain with stainless steel tee and valve. A shutoff valve shall be installed at the 2" outlet of each containment tank and the tanks shall be plumbed with 2" schedule 80 pvc to a common outlet, or T, with a shut off valve at the T. 20 feet of 100 psi flexible 2" fill hose shall be attached to the inlets of each tank with a 2" polypropylene quick connect. Containment tanks shall have permanent signage labeling inlet, outlet, containment drain, and overfill warning sign. The successful bidder is responsible for scheduling with DOH for the availability of a DOH provided crane and operator for unloading or assembling at the site. Containment tanks shall have 4 - 2,500 lb. each, lift lugs securely fastened. Price to include delivery, assembly, labor, parts, and materials.</p> <p>Delivery: FOB any designated delivery site within the Division of Highways District 1</p>	<p style="font-size: 1.2em;">\$7081.05 each</p> <p style="font-size: 1.2em;">\$14,162¹⁰ total</p>

Bid Sheet District 1

Item No.	Quantity	Description	Amount
003	1.00	<p>6,100 gallon heavy duty construction vertical polyethylene storage tank Norwesco Model #40061 or equal with SG 1.9, 119" diameter, 140" height, with a 2" outlet drain and a 2" fill port installed near the top of the tank with 20 feet of 100 psi flexible 2" fill hose with a 2" polypropylene quick connect attached. Price to include delivery, assembly, labor, parts, and materials.</p> <p>Delivery: FOB any designated delivery site within the Division of Highways District 1</p>	<p>\$4631²⁸ total</p>
004	1.00	<p>6,100 gallon heavy duty construction vertical polyethylene storage tank Norwesco Model #40061 or equal with SG 1.9, 119" diameter, 140" height, with a 2" outlet drain and a 2" fill port installed near the top of the tank. This tank shall be enclosed in secondary containment in a way that prevents rainfall from entering the containment, which consists of a vertical polyethylene storage tank SG 1.5 that provides 110% capacity for secondary containment. Valves, bulkhead fittings, nipples, tees, and elbows must be 316 stainless steel unless noted. Containment tank shall have a 16" lockable manway lid located above the storage tank lid. The containment tank shall have plumbing from the storage tank thru the containment tank as follows: 2" stainless steel bolted inlet assembly and flexible interconnect, 2" stainless steel bolted gravity drain assembly and flexible interconnect with stainless steel valve. The flexible interconnects shall be ultra high molecular weight polyethylene chemical hose. The containment tank shall have a 3" poly vent with cap and screen, 2" drain with PVC valve and plug, 3/4" flexible PVC sight gauge off drain with stainless steel tee and valve. 20 feet of 100 psi flexible 2" fill hose shall be attached to the inlet of the tank with a 2" polypropylene quick connect. Containment tank shall have permanent signage labeling inlet, outlet, containment drain, and overfill warning sign. The successful bidder is responsible for scheduling with DOH for the availability of a DOH provided crane and operator for unloading and assembling at the site. Containment tank shall have 4 - 2,500 lb. each, lift lugs securely fastened.</p> <p>Delivery: FOB any designated delivery site within the Division of Highways District 1</p>	<p>\$15936⁹⁵ total</p>

Bid Sheet District 2

Item No.	Quantity	Description	Amount
001	2.00	<p>2,500 gallon heavy duty construction vertical polyethylene storage tank Norwesco Model #40052 or equal with SG 1.9, 95" diameter, 91" height, with a 2" outlet drain and a 2" fill port installed near the top of each tank with 20 feet of 100 psi flexible 2" fill hose with a 2" polypropylene quick connect attached. A shutoff valve shall be installed at the 2" outlet drain of each tank and the tanks shall be plumbed with 2" schedule 80 pvc to a common outlet, or T, with a shut off valve at the T. Price to include delivery, assembly, labor, parts, and materials.</p> <p>Delivery: FOB any designated delivery site within the Division of Highways District 2</p>	<p style="text-align: right;">\$2316²⁸ each</p> <p style="text-align: right;">\$4632⁵⁶ total</p>
002	2.00	<p>2,500 gallon heavy duty construction vertical polyethylene storage tank Norwesco Model #40052 or equal with SG 1.9, 95" diameter, 91" height, with a 2" outlet drain and a 2" fill port installed near the top of each tank. Each tank shall be enclosed in secondary containment in a way that prevents rainfall from entering the containment, which consists of a vertical polyethylene storage tank, SG 1.5, that provides 110% capacity for secondary containment. Valves, bulkhead fittings, nipples, tees, and elbows must be 316 stainless steel unless noted. Containment tanks shall have a 16" lockable manway lid located above the storage tank lid. The containment tanks shall have plumbing from the storage tank thru the containment tank as follows: 2" stainless steel bolted inlet assembly and flexible interconnect, 2" stainless steel bolted gravity drain assembly and flexible interconnect with stainless steel valve. The flexible interconnects shall be ultra high molecular weight polyethylene chemical hose. The containment tanks shall have a 3" poly vent with cap and screen, 2" drain with PVC valve and plug, 3/4" flexible PVC sight gauge off drain with stainless steel tee and valve. A shutoff valve shall be installed at the 2" outlet of each containment tank and the tanks shall be plumbed with 2" schedule 80 pvc to a common outlet, or T, with a shut off valve at the T. 20 feet of 100 psi flexible 2" fill hose shall be attached to the inlets of each tank with a 2" polypropylene quick connect. Containment tanks shall have permanent signage labeling inlet, outlet, containment drain, and overfill warning sign. The successful bidder is responsible for scheduling with DOH for the availability of a DOH provided crane and operator for unloading or assembling at the site. Containment tanks shall have 4 - 2,500 lb. each, lift lugs securely fastened. Price to include delivery, assembly, labor, parts, and materials.</p> <p>Delivery: FOB any designated delivery site within the Division of Highways District 2</p>	<p style="text-align: right;">\$7081⁰⁵ each</p> <p style="text-align: right;">\$14,162¹⁰ total</p>

Bid Sheet District 2

Item No.	Quantity	Description	Amount
003	1.00	<p>6,100 gallon heavy duty construction vertical polyethylene storage tank Norwesco Model #40061 or equal with SG 1.9, 119" diameter, 140" height, with a 2" outlet drain and a 2" fill port installed near the top of the tank with 20 feet of 100 psi flexible 2" fill hose with a 2" polypropylene quick connect attached. Price to include delivery, assembly, labor, parts, and materials.</p> <p>Delivery: FOB any designated delivery site within the Division of Highways District 2</p>	<p>\$4631²⁸ total</p>
004	1.00	<p>6,100 gallon heavy duty construction vertical polyethylene storage tank Norwesco Model #40061 or equal with SG 1.9, 119" diameter, 140" height, with a 2" outlet drain and a 2" fill port installed near the top of the tank. This tank shall be enclosed in secondary containment in a way that prevents rainfall from entering the containment, which consists of a vertical polyethylene storage tank SG 1.5 that provides 110% capacity for secondary containment. Valves, bulkhead fittings, nipples, tees, and elbows must be 316 stainless steel unless noted. Containment tank shall have a 16" lockable manway lid located above the storage tank lid. The containment tank shall have plumbing from the storage tank thru the containment tank as follows: 2" stainless steel bolted inlet assembly and flexible interconnect, 2" stainless steel bolted gravity drain assembly and flexible interconnect with stainless steel valve. The flexible interconnects shall be ultra high molecular weight polyethylene chemical hose. The containment tank shall have a 3" poly vent with cap and screen, 2" drain with PVC valve and plug, 3/4" flexible PVC sight gauge off drain with stainless steel tee and valve. 20 feet of 100 psi flexible 2" fill hose shall be attached to the inlet of the tank with a 2" polypropylene quick connect. Containment tank shall have permanent signage labeling inlet, outlet, containment drain, and overflow warning sign. The successful bidder is responsible for scheduling with DOH for the availability of a DOH provided crane and operator for unloading and assembling at the site. Containment tank shall have 4 - 2,500 lb. each, lift lugs securely fastened.</p> <p>Delivery: FOB any designated delivery site within the Division of Highways District 2</p>	<p>\$15,936⁹⁵ total</p>

Bid Sheet District 3

Item No.	Quantity	Description	Amount
001	2.00	<p>2,500 gallon heavy duty construction vertical polyethylene storage tank Norwesco Model #40052 or equal with SG 1.9, 95" diameter, 91" height, with a 2" outlet drain and a 2" fill port installed near the top of each tank with 20 feet of 100 psi flexible 2" fill hose with a 2" polypropylene quick connect attached. A shutoff valve shall be installed at the 2" outlet drain of each tank and the tanks shall be plumbed with 2" schedule 80 pvc to a common outlet, or T, with a shut off valve at the T. Price to include delivery, assembly, labor, parts, and materials.</p> <p>Delivery: FOB any designated delivery site within the Division of Highways District 3</p>	<p style="text-align: right;">\$2316²⁸ each</p> <p style="text-align: right;">\$4632⁵⁶ total</p>
002	2.00	<p>2,500 gallon heavy duty construction vertical polyethylene storage tank Norwesco Model #40052 or equal with SG 1.9, 95" diameter, 91" height, with a 2" outlet drain and a 2" fill port installed near the top of each tank. Each tank shall be enclosed in secondary containment in a way that prevents rainfall from entering the containment, which consists of a vertical polyethylene storage tank, SG 1.5, that provides 110% capacity for secondary containment. Valves, bulkhead fittings, nipples, tees, and elbows must be 316 stainless steel unless noted. Containment tanks shall have a 16" lockable manway lid located above the storage tank lid. The containment tanks shall have plumbing from the storage tank thru the containment tank as follows: 2" stainless steel bolted inlet assembly and flexible interconnect, 2" stainless steel bolted gravity drain assembly and flexible interconnect with stainless steel valve. The flexible interconnects shall be ultra high molecular weight polyethylene chemical hose. The containment tanks shall have a 3" poly vent with cap and screen, 2" drain with PVC valve and plug, 3/4" flexible PVC sight gauge off drain with stainless steel tee and valve. A shutoff valve shall be installed at the 2" outlet of each containment tank and the tanks shall be plumbed with 2" schedule 80 pvc to a common outlet, or T, with a shut off valve at the T. 20 feet of 100 psi flexible 2" fill hose shall be attached to the inlets of each tank with a 2" polypropylene quick connect. Containment tanks shall have permanent signage labeling inlet, outlet, containment drain, and overflow warning sign. The successful bidder is responsible for scheduling with DOH for the availability of a DOH provided crane and operator for unloading or assembling at the site. Containment tanks shall have 4 - 2,500 lb. each, lift lugs securely fastened. Price to include delivery, assembly, labor, parts, and materials.</p> <p>Delivery: FOB any designated delivery site within the Division of Highways District 3</p>	<p style="text-align: right;">\$7081⁰⁵ each</p> <p style="text-align: right;">\$14162¹⁰ total</p>

Bid Sheet District 3

Item No.	Quantity	Description	Amount
003	1.00	<p>6,100 gallon heavy duty construction vertical polyethylene storage tank Norwesco Model #40061 or equal with SG 1.9, 119" diameter, 140" height, with a 2" outlet drain and a 2" fill port installed near the top of the tank with 20 feet of 100 psi flexible 2" fill hose with a 2" polypropylene quick connect attached. Price to include delivery, assembly, labor, parts, and materials.</p> <p>Delivery: FOB any designated delivery site within the Division of Highways District 3</p>	<p>\$ 4631²⁸ total</p>
004	1.00	<p>6,100 gallon heavy duty construction vertical polyethylene storage tank Norwesco Model #40061 or equal with SG 1.9, 119" diameter, 140" height, with a 2" outlet drain and a 2" fill port installed near the top of the tank. This tank shall be enclosed in secondary containment in a way that prevents rainfall from entering the containment, which consists of a vertical polyethylene storage tank SG 1.5 that provides 110% capacity for secondary containment. Valves, bulkhead fittings, nipples, tees, and elbows must be 316 stainless steel unless noted. Containment tank shall have a 16" lockable manway lid located above the storage tank lid. The containment tank shall have plumbing from the storage tank thru the containment tank as follows: 2" stainless steel bolted inlet assembly and flexible interconnect, 2" stainless steel bolted gravity drain assembly and flexible interconnect with stainless steel valve. The flexible interconnects shall be ultra high molecular weight polyethylene chemical hose. The containment tank shall have a 3" poly vent with cap and screen, 2" drain with PVC valve and plug, 3/4" flexible PVC sight gauge off drain with stainless steel tee and valve. 20 feet of 100 psi flexible 2" fill hose shall be attached to the inlet of the tank with a 2" polypropylene quick connect. Containment tank shall have permanent signage labeling inlet, outlet, containment drain, and overflow warning sign. The successful bidder is responsible for scheduling with DOH for the availability of a DOH provided crane and operator for unloading and assembling at the site. Containment tank shall have 4 - 2,500 lb. each, lift lugs securely fastened.</p> <p>Delivery: FOB any designated delivery site within the Division of Highways District 3</p>	<p>\$ 15,936⁹⁵ total</p>

Bid Sheet District 4

Item No.	Quantity	Description	Amount
001	2.00	<p>2,500 gallon heavy duty construction vertical polyethylene storage tank Norwesco Model #40052 or equal with SG 1.9, 95" diameter, 91" height, with a 2" outlet drain and a 2" fill port installed near the top of each tank with 20 feet of 100 psi flexible 2" fill hose with a 2" polypropylene quick connect attached. A shutoff valve shall be installed at the 2" outlet drain of each tank and the tanks shall be plumbed with 2" schedule 80 pvc to a common outlet, or T, with a shut off valve at the T. Price to include delivery, assembly, labor, parts, and materials.</p> <p>Delivery: FOB any designated delivery site within the Division of Highways District 4</p>	<p style="font-size: 1.2em;">\$ 2316²⁸ each</p> <p style="font-size: 1.2em;">\$ 4632⁵⁶ total</p>
002	2.00	<p>2,500 gallon heavy duty construction vertical polyethylene storage tank Norwesco Model #40052 or equal with SG 1.9, 95" diameter, 91" height, with a 2" outlet drain and a 2" fill port installed near the top of each tank. Each tank shall be enclosed in secondary containment in a way that prevents rainfall from entering the containment, which consists of a vertical polyethylene storage tank, SG 1.5, that provides 110% capacity for secondary containment. Valves, bulkhead fittings, nipples, tees, and elbows must be 316 stainless steel unless noted. Containment tanks shall have a 16" lockable manway lid located above the storage tank lid. The containment tanks shall have plumbing from the storage tank thru the containment tank as follows: 2" stainless steel bolted inlet assembly and flexible interconnect, 2" stainless steel bolted gravity drain assembly and flexible interconnect with stainless steel valve. The flexible interconnects shall be ultra high molecular weight polyethylene chemical hose. The containment tanks shall have a 3" poly vent with cap and screen, 2" drain with PVC valve and plug, 3/4" flexible PVC sight gauge off drain with stainless steel tee and valve. A shutoff valve shall be installed at the 2" outlet of each containment tank and the tanks shall be plumbed with 2" schedule 80 pvc to a common outlet, or T, with a shut off valve at the T. 20 feet of 100 psi flexible 2" fill hose shall be attached to the inlets of each tank with a 2" polypropylene quick connect. Containment tanks shall have permanent signage labeling inlet, outlet, containment drain, and overfill warning sign. The successful bidder is responsible for scheduling with DOH for the availability of a DOH provided crane and operator for unloading or assembling at the site. Containment tanks shall have 4 - 2,500 lb. each, lift lugs securely fastened. Price to include delivery, assembly, labor, parts, and materials.</p> <p>Delivery: FOB any designated delivery site within the Division of Highways District 4</p>	<p style="font-size: 1.2em;">\$ 7081⁰⁵ each</p> <p style="font-size: 1.2em;">\$ 14,162¹⁰ total</p>

Bid Sheet District 4

Item No.	Quantity	Description	Amount
003	1.00	<p>6,100 gallon heavy duty construction vertical polyethylene storage tank Norwesco Model #40061 or equal with SG 1.9, 119" diameter, 140" height, with a 2" outlet drain and a 2" fill port installed near the top of the tank with 20 feet of 100 psi flexible 2" fill hose with a 2" polypropylene quick connect attached. Price to include delivery, assembly, labor, parts, and materials.</p> <p>Delivery: FOB any designated delivery site within the Division of Highways District 4</p>	<p>\$4631²⁸ total</p>
004.	1.00	<p>6,100 gallon heavy duty construction vertical polyethylene storage tank Norwesco Model #40061 or equal with SG 1.9, 119" diameter, 140" height, with a 2" outlet drain and a 2" fill port installed near the top of the tank. This tank shall be enclosed in secondary containment in a way that prevents rainfall from entering the containment, which consists of a vertical polyethylene storage tank SG 1.5 that provides 110% capacity for secondary containment. Valves, bulkhead fittings, nipples, tees, and elbows must be 316 stainless steel unless noted. Containment tank shall have a 16" lockable manway lid located above the storage tank lid. The containment tank shall have plumbing from the storage tank thru the containment tank as follows: 2" stainless steel bolted inlet assembly and flexible interconnect, 2" stainless steel bolted gravity drain assembly and flexible interconnect with stainless steel valve. The flexible interconnects shall be ultra high molecular weight polyethylene chemical hose. The containment tank shall have a 3" poly vent with cap and screen, 2" drain with PVC valve and plug, 3/4" flexible PVC sight gauge off drain with stainless steel tee and valve. 20 feet of 100 psi flexible 2" fill hose shall be attached to the inlet of the tank with a 2" polypropylene quick connect. Containment tank shall have permanent signage labeling inlet, outlet, containment drain, and overflow warning sign. The successful bidder is responsible for scheduling with DOH for the availability of a DOH provided crane and operator for unloading and assembling at the site. Containment tank shall have 4 - 2,500 lb. each, lift lugs securely fastened.</p> <p>Delivery: FOB any designated delivery site within the Division of Highways District 4</p>	<p>\$15936⁹⁵ total</p>

Bid Sheet District 5

Item No.	Quantity	Description	Amount
001	2.00	<p>2,500 gallon heavy duty construction vertical polyethylene storage tank Norwesco Model #40052 or equal with SG 1.9, 95" diameter, 91" height, with a 2" outlet drain and a 2" fill port installed near the top of each tank with 20 feet of 100 psi flexible 2" fill hose with a 2" polypropylene quick connect attached. A shutoff valve shall be installed at the 2" outlet drain of each tank and the tanks shall be plumbed with 2" schedule 80 pvc to a common outlet, or T, with a shut off valve at the T. Price to include delivery, assembly, labor, parts, and materials.</p> <p>Delivery: FOB any designated delivery site within the Division of Highways District 5</p>	<p style="text-align: right;">$\\$2316^{25}$ each</p> <p style="text-align: right;">$\\$4632^{56}$ total</p>
002	2.00	<p>2,500 gallon heavy duty construction vertical polyethylene storage tank Norwesco Model #40052 or equal with SG 1.9, 95" diameter, 91" height, with a 2" outlet drain and a 2" fill port installed near the top of each tank. Each tank shall be enclosed in secondary containment in a way that prevents rainfall from entering the containment, which consists of a vertical polyethylene storage tank, SG 1.5, that provides 110% capacity for secondary containment. Valves, bulkhead fittings, nipples, tees, and elbows must be 316 stainless steel unless noted. Containment tanks shall have a 16" lockable manway lid located above the storage tank lid. The containment tanks shall have plumbing from the storage tank thru the containment tank as follows: 2" stainless steel bolted inlet assembly and flexible interconnect, 2" stainless steel bolted gravity drain assembly and flexible interconnect with stainless steel valve. The flexible interconnects shall be ultra high molecular weight polyethylene chemical hose. The containment tanks shall have a 3" poly vent with cap and screen, 2" drain with PVC valve and plug, 3/4" flexible PVC sight gauge off drain with stainless steel tee and valve. A shutoff valve shall be installed at the 2" outlet of each containment tank and the tanks shall be plumbed with 2" schedule 80 pvc to a common outlet, or T, with a shut off valve at the T. 20 feet of 100 psi flexible 2" fill hose shall be attached to the inlets of each tank with a 2" polypropylene quick connect. Containment tanks shall have permanent signage labeling inlet, outlet, containment drain, and overfill warning sign. The successful bidder is responsible for scheduling with DOH for the availability of a DOH provided crane and operator for unloading or assembling at the site. Containment tanks shall have 4 - 2,500 lb. each, lift lugs securely fastened. Price to include delivery, assembly, labor, parts, and materials.</p> <p>Delivery: FOB any designated delivery site within the Division of Highways District 5</p>	<p style="text-align: right;">$\\$7081^{05}$ each</p> <p style="text-align: right;">$\\$14,162^{10}$ total</p>

Bid Sheet District 5

Item No.	Quantity	Description	Amount
003	1.00	<p>6,100 gallon heavy duty construction vertical polyethylene storage tank Norwesco Model #40061 or equal with SG 1.9, 119" diameter, 140" height, with a 2" outlet drain and a 2" fill port installed near the top of the tank with 20 feet of 100 psi flexible 2" fill hose with a 2" polypropylene quick connect attached. Price to include delivery, assembly, labor, parts, and materials.</p> <p>Delivery: FOB any designated delivery site within the Division of Highways District 5</p>	<p style="font-size: 1.5em;">\$4,631²⁵ total</p>
004	1.00	<p>6,100 gallon heavy duty construction vertical polyethylene storage tank Norwesco Model #40061 or equal with SG 1.9, 119" diameter, 140" height, with a 2" outlet drain and a 2" fill port installed near the top of the tank. This tank shall be enclosed in secondary containment in a way that prevents rainfall from entering the containment, which consists of a vertical polyethylene storage tank SG 1.5 that provides 110% capacity for secondary containment. Valves, bulkhead fittings, nipples, tees, and elbows must be 316 stainless steel unless noted. Containment tank shall have a 16" lockable manway lid located above the storage tank lid. The containment tank shall have plumbing from the storage tank thru the containment tank as follows: 2" stainless steel bolted inlet assembly and flexible interconnect, 2" stainless steel bolted gravity drain assembly and flexible interconnect with stainless steel valve. The flexible interconnects shall be ultra high molecular weight polyethylene chemical hose. The containment tank shall have a 3" poly vent with cap and screen, 2" drain with PVC valve and plug, 3/4" flexible PVC sight gauge off drain with stainless steel tee and valve. 20 feet of 100 psi flexible 2" fill hose shall be attached to the inlet of the tank with a 2" polypropylene quick connect. Containment tank shall have permanent signage labeling inlet, outlet, containment drain, and overfill warning sign. The successful bidder is responsible for scheduling with DOH for the availability of a DOH provided crane and operator for unloading and assembling at the site. Containment tank shall have 4 - 2,500 lb. each, lift lugs securely fastened.</p> <p>Delivery: FOB any designated delivery site within the Division of Highways District 5</p>	<p style="font-size: 1.5em;">\$15,936⁹⁵ total</p>

Bid Sheet District 6

Item No.	Quantity	Description	Amount
001	2.00	<p>2,500 gallon heavy duty construction vertical polyethylene storage tank Norwesco Model #40052 or equal with SG 1.9, 95" diameter, 91" height, with a 2" outlet drain and a 2" fill port installed near the top of each tank with 20 feet of 100 psi flexible 2" fill hose with a 2" polypropylene quick connect attached. A shutoff valve shall be installed at the 2" outlet drain of each tank and the tanks shall be plumbed with 2" schedule 80 pvc to a common outlet, or T, with a shut off valve at the T. Price to include delivery, assembly, labor, parts, and materials.</p> <p>Delivery: FOB any designated delivery site within the Division of Highways District 6</p>	<p>\$2316²⁸ each</p> <p>\$4632⁵⁶ total</p>
002	2.00	<p>2,500 gallon heavy duty construction vertical polyethylene storage tank Norwesco Model #40052 or equal with SG 1.9, 95" diameter, 91" height, with a 2" outlet drain and a 2" fill port installed near the top of each tank. Each tank shall be enclosed in secondary containment in a way that prevents rainfall from entering the containment, which consists of a vertical polyethylene storage tank, SG 1.5, that provides 110% capacity for secondary containment. Valves, bulkhead fittings, nipples, tees, and elbows must be 316 stainless steel unless noted. Containment tanks shall have a 16" lockable manway lid located above the storage tank lid. The containment tanks shall have plumbing from the storage tank thru the containment tank as follows: 2" stainless steel bolted inlet assembly and flexible interconnect, 2" stainless steel bolted gravity drain assembly and flexible interconnect with stainless steel valve. The flexible interconnects shall be ultra high molecular weight polyethylene chemical hose. The containment tanks shall have a 3" poly vent with cap and screen, 2" drain with PVC valve and plug, 3/4" flexible PVC sight gauge off drain with stainless steel tee and valve. A shutoff valve shall be installed at the 2" outlet of each containment tank and the tanks shall be plumbed with 2" schedule 80 pvc to a common outlet, or T, with a shut off valve at the T. 20 feet of 100 psi flexible 2" fill hose shall be attached to the inlets of each tank with a 2" polypropylene quick connect. Containment tanks shall have permanent signage labeling inlet, outlet, containment drain, and overfill warning sign. The successful bidder is responsible for scheduling with DOH for the availability of a DOH provided crane and operator for unloading or assembling at the site. Containment tanks shall have 4 - 2,500 lb. each, lift lugs securely fastened. Price to include delivery, assembly, labor, parts, and materials.</p> <p>Delivery: FOB any designated delivery site within the Division of Highways District 6</p>	<p>\$7081⁰⁵ each</p> <p>\$14,162¹⁰ total</p>

Bid Sheet District 6

Item No.	Quantity	Description	Amount
003	1.00	<p>6,100 gallon heavy duty construction vertical polyethylene storage tank Norwesco Model #40061 or equal with SG 1.9, 119" diameter, 140" height, with a 2" outlet drain and a 2" fill port installed near the top of the tank with 20 feet of 100 psi flexible 2" fill hose with a 2" polypropylene quick connect attached. Price to include delivery, assembly, labor, parts, and materials.</p> <p>Delivery: FOB any designated delivery site within the Division of Highways District 6</p>	<p>\$ 4631²⁸ total</p>
004	1.00	<p>6,100 gallon heavy duty construction vertical polyethylene storage tank Norwesco Model #40061 or equal with SG 1.9, 119" diameter, 140" height, with a 2" outlet drain and a 2" fill port installed near the top of the tank. This tank shall be enclosed in secondary containment in a way that prevents rainfall from entering the containment, which consists of a vertical polyethylene storage tank SG 1.5 that provides 110% capacity for secondary containment. Valves, bulkhead fittings, nipples, tees, and elbows must be 316 stainless steel unless noted. Containment tank shall have a 16" lockable manway lid located above the storage tank lid. The containment tank shall have plumbing from the storage tank thru the containment tank as follows: 2" stainless steel bolted inlet assembly and flexible interconnect, 2" stainless steel bolted gravity drain assembly and flexible interconnect with stainless steel valve. The flexible interconnects shall be ultra high molecular weight polyethylene chemical hose. The containment tank shall have a 3" poly vent with cap and screen, 2" drain with PVC valve and plug, 3/4" flexible PVC sight gauge off drain with stainless steel tee and valve. 20 feet of 100 psi flexible 2" fill hose shall be attached to the inlet of the tank with a 2" polypropylene quick connect. Containment tank shall have permanent signage labeling inlet, outlet, containment drain, and overfill warning sign. The successful bidder is responsible for scheduling with DOH for the availability of a DOH provided crane and operator for unloading and assembling at the site. Containment tank shall have 4 - 2,500 lb. each, lift lugs securely fastened.</p> <p>Delivery: FOB any designated delivery site within the Division of Highways District 6</p>	<p>\$ 15,936⁹⁵ total</p>

Bid Sheet District 7

Item No.	Quantity	Description	Amount
001	2.00	<p>2,500 gallon heavy duty construction vertical polyethylene storage tank Norwesco Model #40052 or equal with SG 1.9, 95" diameter, 91" height, with a 2" outlet drain and a 2" fill port installed near the top of each tank with 20 feet of 100 psi flexible 2" fill hose with a 2" polypropylene quick connect attached. A shutoff valve shall be installed at the 2" outlet drain of each tank and the tanks shall be plumbed with 2" schedule 80 pvc to a common outlet, or T, with a shut off valve at the T. Price to include delivery, assembly, labor, parts, and materials.</p> <p>Delivery: FOB any designated delivery site within the Division of Highways District 7</p>	<p>\$2316²⁸ each</p> <p>\$4632⁵⁶ total</p>
002	2.00	<p>2,500 gallon heavy duty construction vertical polyethylene storage tank Norwesco Model #40052 or equal with SG 1.9, 95" diameter, 91" height, with a 2" outlet drain and a 2" fill port installed near the top of each tank. Each tank shall be enclosed in secondary containment in a way that prevents rainfall from entering the containment, which consists of a vertical polyethylene storage tank, SG 1.5, that provides 110% capacity for secondary containment. Valves, bulkhead fittings, nipples, tees, and elbows must be 316 stainless steel unless noted. Containment tanks shall have a 16" lockable manway lid located above the storage tank lid. The containment tanks shall have plumbing from the storage tank thru the containment tank as follows: 2" stainless steel bolted inlet assembly and flexible interconnect, 2" stainless steel bolted gravity drain assembly and flexible interconnect with stainless steel valve. The flexible interconnects shall be ultra high molecular weight polyethylene chemical hose. The containment tanks shall have a 3" poly vent with cap and screen, 2" drain with PVC valve and plug, 3/4" flexible PVC sight gauge off drain with stainless steel tee and valve. A shutoff valve shall be installed at the 2" outlet of each containment tank and the tanks shall be plumbed with 2" schedule 80 pvc to a common outlet, or T, with a shut off valve at the T. 20 feet of 100 psi flexible 2" fill hose shall be attached to the inlets of each tank with a 2" polypropylene quick connect. Containment tanks shall have permanent signage labeling inlet, outlet, containment drain, and overfill warning sign. The successful bidder is responsible for scheduling with DOH for the availability of a DOH provided crane and operator for unloading or assembling at the site. Containment tanks shall have 4 - 2,500 lb. each, lift lugs securely fastened. Price to include delivery, assembly, labor, parts, and materials.</p> <p>Delivery: FOB any designated delivery site within the Division of Highways District 7</p>	<p>\$7081⁰⁵ each</p> <p>\$14,162¹⁰ total</p>

Bid Sheet District 7

Item No.	Quantity	Description	Amount
003	1.00	<p>6,100 gallon heavy duty construction vertical polyethylene storage tank Norwesco Model #40061 or equal with SG 1.9, 119" diameter, 140" height, with a 2" outlet drain and a 2" fill port installed near the top of the tank with 20 feet of 100 psi flexible 2" fill hose with a 2" polypropylene quick connect attached. Price to include delivery, assembly, labor, parts, and materials.</p> <p>Delivery: FOB any designated delivery site within the Division of Highways District 7</p>	<p>\$4631 ²⁸ total</p>
004	1.00	<p>6,100 gallon heavy duty construction vertical polyethylene storage tank Norwesco Model #40061 or equal with SG 1.9, 119" diameter, 140" height, with a 2" outlet drain and a 2" fill port installed near the top of the tank. This tank shall be enclosed in secondary containment in a way that prevents rainfall from entering the containment, which consists of a vertical polyethylene storage tank SG 1.5 that provides 110% capacity for secondary containment. Valves, bulkhead fittings, nipples, tees, and elbows must be 316 stainless steel unless noted. Containment tank shall have a 16" lockable manway lid located above the storage tank lid. The containment tank shall have plumbing from the storage tank thru the containment tank as follows: 2" stainless steel bolted inlet assembly and flexible interconnect, 2" stainless steel bolted gravity drain assembly and flexible interconnect with stainless steel valve. The flexible interconnects shall be ultra high molecular weight polyethylene chemical hose. The containment tank shall have a 3" poly vent with cap and screen, 2" drain with PVC valve and plug, 3/4" flexible PVC sight gauge off drain with stainless steel tee and valve. 20 feet of 100 psi flexible 2" fill hose shall be attached to the inlet of the tank with a 2" polypropylene quick connect. Containment tank shall have permanent signage labeling inlet, outlet, containment drain, and overfill warning sign. The successful bidder is responsible for scheduling with DOH for the availability of a DOH provided crane and operator for unloading and assembling at the site. Containment tank shall have 4 - 2,500 lb. each, lift lugs securely fastened.</p> <p>Delivery: FOB any designated delivery site within the Division of Highways District 7</p>	<p>\$15,936 ⁹⁵ total</p>

Bid Sheet District 8

Item No.	Quantity	Description	Amount
001	2.00	<p>2,500 gallon heavy duty construction vertical polyethylene storage tank Norwesco Model #40052 or equal with SG 1.9, 95" diameter, 91" height, with a 2" outlet drain and a 2" fill port installed near the top of each tank with 20 feet of 100 psi flexible 2" fill hose with a 2" polypropylene quick connect attached. A shutoff valve shall be installed at the 2" outlet drain of each tank and the tanks shall be plumbed with 2" schedule 80 pvc to a common outlet, or T, with a shut off valve at the T. Price to include delivery, assembly, labor, parts, and materials.</p> <p>Delivery: FOB any designated delivery site within the Division of Highways District 8</p>	<p style="text-align: right;">\$2316²⁸ each</p> <p style="text-align: right;">\$4632⁵⁶ total</p>
002	2.00	<p>2,500 gallon heavy duty construction vertical polyethylene storage tank Norwesco Model #40052 or equal with SG 1.9, 95" diameter, 91" height, with a 2" outlet drain and a 2" fill port installed near the top of each tank. Each tank shall be enclosed in secondary containment in a way that prevents rainfall from entering the containment, which consists of a vertical polyethylene storage tank, SG 1.5, that provides 110% capacity for secondary containment. Valves, bulkhead fittings, nipples, tees, and elbows must be 316 stainless steel unless noted. Containment tanks shall have a 16" lockable manway lid located above the storage tank lid. The containment tanks shall have plumbing from the storage tank thru the containment tank as follows: 2" stainless steel bolted inlet assembly and flexible interconnect, 2" stainless steel bolted gravity drain assembly and flexible interconnect with stainless steel valve. The flexible interconnects shall be ultra high molecular weight polyethylene chemical hose. The containment tanks shall have a 3" poly vent with cap and screen, 2" drain with PVC valve and plug, 3/4" flexible PVC sight gauge off drain with stainless steel tee and valve. A shutoff valve shall be installed at the 2" outlet of each containment tank and the tanks shall be plumbed with 2" schedule 80 pvc to a common outlet, or T, with a shut off valve at the T. 20 feet of 100 psi flexible 2" fill hose shall be attached to the inlets of each tank with a 2" polypropylene quick connect. Containment tanks shall have permanent signage labeling inlet, outlet, containment drain; and overfill warning sign. The successful bidder is responsible for scheduling with DOH for the availability of a DOH provided crane and operator for unloading or assembling at the site. Containment tanks shall have 4 - 2,500 lb. each, lift lugs securely fastened. Price to include delivery, assembly, labor, parts, and materials.</p> <p>Delivery: FOB any designated delivery site within the Division of Highways District 8</p>	<p style="text-align: right;">\$7081⁰⁵ each</p> <p style="text-align: right;">\$14,162¹⁰ total</p>

Bid Sheet District 8

Item No.	Quantity	Description	Amount
003	1.00	<p>6,100 gallon heavy duty construction vertical polyethylene storage tank Norwesco Model #40061 or equal with SG 1.9, 119" diameter, 140" height, with a 2" outlet drain and a 2" fill port installed near the top of the tank with 20 feet of 100 psi flexible 2" fill hose with a 2" polypropylene quick connect attached. Price to include delivery, assembly, labor, parts, and materials.</p> <p>Delivery: FOB any designated delivery site within the Division of Highways District 8</p>	<p>\$ 4631²⁸ total</p>
004	1.00	<p>6,100 gallon heavy duty construction vertical polyethylene storage tank Norwesco Model #40061 or equal with SG 1.9, 119" diameter, 140" height, with a 2" outlet drain and a 2" fill port installed near the top of the tank. This tank shall be enclosed in secondary containment in a way that prevents rainfall from entering the containment, which consists of a vertical polyethylene storage tank SG 1.5 that provides 110% capacity for secondary containment. Valves, bulkhead fittings, nipples, tees, and elbows must be 316 stainless steel unless noted. Containment tank shall have a 16" lockable manway lid located above the storage tank lid. The containment tank shall have plumbing from the storage tank thru the containment tank as follows: 2" stainless steel bolted inlet assembly and flexible interconnect, 2" stainless steel bolted gravity drain assembly and flexible interconnect with stainless steel valve. The flexible interconnects shall be ultra high molecular weight polyethylene chemical hose. The containment tank shall have a 3" poly vent with cap and screen, 2" drain with PVC valve and plug, 3/4" flexible PVC sight gauge off drain with stainless steel tee and valve. 20 feet of 100 psi flexible 2" fill hose shall be attached to the inlet of the tank with a 2" polypropylene quick connect. Containment tank shall have permanent signage labeling inlet, outlet, containment drain, and overfill warning sign. The successful bidder is responsible for scheduling with DOH for the availability of a DOH provided crane and operator for unloading and assembling at the site. Containment tank shall have 4 - 2,500 lb. each, lift lugs securely fastened.</p> <p>Delivery: FOB any designated delivery site within the Division of Highways District 8</p>	<p>\$ 15,936⁹⁵ total</p>

Bid Sheet District 9

Item No.	Quantity	Description	Amount
001	2.00	<p>2,500 gallon heavy duty construction vertical polyethylene storage tank Norwesco Model #40052 or equal with SG 1.9, 95" diameter, 91" height, with a 2" outlet drain and a 2" fill port installed near the top of each tank with 20 feet of 100 psi flexible 2" fill hose with a 2" polypropylene quick connect attached. A shutoff valve shall be installed at the 2" outlet drain of each tank and the tanks shall be plumbed with 2" schedule 80 pvc to a common outlet, or T, with a shut off valve at the T. Price to include delivery, assembly, labor, parts, and materials.</p> <p>Delivery: FOB any designated delivery site within the Division of Highways District 9</p>	<p>\$2316²⁸ each</p> <p>\$4632⁵⁶ total</p>
002	2.00	<p>2,500 gallon heavy duty construction vertical polyethylene storage tank Norwesco Model #40052 or equal with SG 1.9, 95" diameter, 91" height, with a 2" outlet drain and a 2" fill port installed near the top of each tank. Each tank shall be enclosed in secondary containment in a way that prevents rainfall from entering the containment, which consists of a vertical polyethylene storage tank, SG 1.5, that provides 110% capacity for secondary containment. Valves, bulkhead fittings, nipples, tees, and elbows must be 316 stainless steel unless noted. Containment tanks shall have a 16" lockable manway lid located above the storage tank lid. The containment tanks shall have plumbing from the storage tank thru the containment tank as follows: 2" stainless steel bolted inlet assembly and flexible interconnect, 2" stainless steel bolted gravity drain assembly and flexible interconnect with stainless steel valve. The flexible interconnects shall be ultra high molecular weight polyethylene chemical hose. The containment tanks shall have a 3" poly vent with cap and screen, 2" drain with PVC valve and plug, 3/4" flexible PVC sight gauge off drain with stainless steel tee and valve. A shutoff valve shall be installed at the 2" outlet of each containment tank and the tanks shall be plumbed with 2" schedule 80 pvc to a common outlet, or T, with a shut off valve at the T. 20 feet of 100 psi flexible 2" fill hose shall be attached to the inlets of each tank with a 2" polypropylene quick connect. Containment tanks shall have permanent signage labeling inlet, outlet, containment drain, and overfill warning sign. The successful bidder is responsible for scheduling with DOH for the availability of a DOH provided crane and operator for unloading or assembling at the site. Containment tanks shall have 4 - 2,500 lb. each, lift lugs securely fastened. Price to include delivery, assembly, labor, parts, and materials.</p> <p>Delivery: FOB any designated delivery site within the Division of Highways District 9</p>	<p>\$7081.05 each</p> <p>\$14,162¹⁰ total</p>

Bid Sheet District 9

Item No.	Quantity	Description	Amount
003	1.00	<p>6,100 gallon heavy duty construction vertical polyethylene storage tank Norwesco Model #40061 or equal with SG 1.9, 119" diameter, 140" height, with a 2" outlet drain and a 2" fill port installed near the top of the tank with 20 feet of 100 psi flexible 2" fill hose with a 2" polypropylene quick connect attached. Price to include delivery, assembly, labor, parts, and materials.</p> <p>Delivery: FOB any designated delivery site within the Division of Highways District 9</p>	<p><u>\$4631.28</u> total</p>
004	1.00	<p>6,100 gallon heavy duty construction vertical polyethylene storage tank Norwesco Model #40061 or equal with SG 1.9, 119" diameter, 140" height, with a 2" outlet drain and a 2" fill port installed near the top of the tank. This tank shall be enclosed in secondary containment in a way that prevents rainfall from entering the containment, which consists of a vertical polyethylene storage tank SG 1.5 that provides 110% capacity for secondary containment. Valves, bulkhead fittings, nipples, tees, and elbows must be 316 stainless steel unless noted. Containment tank shall have a 16" lockable manway lid located above the storage tank lid. The containment tank shall have plumbing from the storage tank thru the containment tank as follows: 2" stainless steel bolted inlet assembly and flexible interconnect, 2" stainless steel bolted gravity drain assembly and flexible interconnect with stainless steel valve. The flexible interconnects shall be ultra high molecular weight polyethylene chemical hose. The containment tank shall have a 3" poly vent with cap and screen, 2" drain with PVC valve and plug, 3/4" flexible PVC sight gauge off drain with stainless steel tee and valve. 20 feet of 100 psi flexible 2" fill hose shall be attached to the inlet of the tank with a 2" polypropylene quick connect. Containment tank shall have permanent signage labeling inlet, outlet, containment drain, and overfill warning sign. The successful bidder is responsible for scheduling with DOH for the availability of a DOH provided crane and operator for unloading and assembling at the site. Containment tank shall have 4 - 2,500 lb. each, lift lugs securely fastened.</p> <p>Delivery: FOB any designated delivery site within the Division of Highways District 9</p>	<p><u>\$15,936.95</u> total</p>

Bid Sheet District 10

Item No.	Quantity	Description	Amount
001	2.00	<p>2,500 gallon heavy duty construction vertical polyethylene storage tank Norwesco Model #40052 or equal with SG 1.9, 95" diameter, 91" height, with a 2" outlet drain and a 2" fill port installed near the top of each tank with 20 feet of 100 psi flexible 2" fill hose with a 2" polypropylene quick connect attached. A shutoff valve shall be installed at the 2" outlet drain of each tank and the tanks shall be plumbed with 2" schedule 80 pvc to a common outlet, or T, with a shut off valve at the T. Price to include delivery, assembly, labor, parts, and materials.</p> <p>Delivery: FOB any designated delivery site within the Division of Highways District 10</p>	<p>\$2316²⁸ each</p> <p>\$4632⁵⁶ total</p>
002	2.00	<p>2,500 gallon heavy duty construction vertical polyethylene storage tank Norwesco Model #40052 or equal with SG 1.9, 95" diameter, 91" height, with a 2" outlet drain and a 2" fill port installed near the top of each tank. Each tank shall be enclosed in secondary containment in a way that prevents rainfall from entering the containment, which consists of a vertical polyethylene storage tank, SG 1.5, that provides 110% capacity for secondary containment. Valves, bulkhead fittings, nipples, tees, and elbows must be 316 stainless steel unless noted. Containment tanks shall have a 16" lockable manway lid located above the storage tank lid. The containment tanks shall have plumbing from the storage tank thru the containment tank as follows: 2" stainless steel bolted inlet assembly and flexible interconnect, 2" stainless steel bolted gravity drain assembly and flexible interconnect with stainless steel valve. The flexible interconnects shall be ultra high molecular weight polyethylene chemical hose. The containment tanks shall have a 3" poly vent with cap and screen, 2" drain with PVC valve and plug, 3/4" flexible PVC sight gauge off drain with stainless steel tee and valve. A shutoff valve shall be installed at the 2" outlet of each containment tank and the tanks shall be plumbed with 2" schedule 80 pvc to a common outlet, or T, with a shut off valve at the T. 20 feet of 100 psi flexible 2" fill hose shall be attached to the inlets of each tank with a 2" polypropylene quick connect. Containment tanks shall have permanent signage labeling inlet, outlet, containment drain, and overfill warning sign. The successful bidder is responsible for scheduling with DOH for the availability of a DOH provided crane and operator for unloading or assembling at the site. Containment tanks shall have 4 - 2,500 lb. each, lift lugs securely fastened. Price to include delivery, assembly, labor, parts, and materials.</p> <p>Delivery: FOB any designated delivery site within the Division of Highways District 10</p>	<p>\$7081⁰⁵ each</p> <p>\$14,162¹⁰ total</p>

Bid Sheet District 10

Item No.	Quantity	Description	Amount
003	1.00	<p>6,100 gallon heavy duty construction vertical polyethylene storage tank Norwesco Model #40061 or equal with SG 1.9, 119" diameter, 140" height, with a 2" outlet drain and a 2" fill port installed near the top of the tank with 20 feet of 100 psi flexible 2" fill hose with a 2" polypropylene quick connect attached. Price to include delivery, assembly, labor, parts, and materials.</p> <p>Delivery: FOB any designated delivery site within the Division of Highways District 10</p>	<p style="font-size: 1.2em;">\$4631 ²⁸ total</p>
004	1.00	<p>6,100 gallon heavy duty construction vertical polyethylene storage tank Norwesco Model #40061 or equal with SG 1.9, 119" diameter, 140" height, with a 2" outlet drain and a 2" fill port installed near the top of the tank. This tank shall be enclosed in secondary containment in a way that prevents rainfall from entering the containment, which consists of a vertical polyethylene storage tank SG 1.5 that provides 110% capacity for secondary containment. Valves, bulkhead fittings, nipples, tees, and elbows must be 316 stainless steel unless noted. Containment tank shall have a 16" lockable manway lid located above the storage tank lid. The containment tank shall have plumbing from the storage tank thru the containment tank as follows: 2" stainless steel bolted inlet assembly and flexible interconnect, 2" stainless steel bolted gravity drain assembly and flexible interconnect with stainless steel valve. The flexible interconnects shall be ultra high molecular weight polyethylene chemical hose. The containment tank shall have a 3" poly vent with cap and screen, 2" drain with PVC valve and plug, 3/4" flexible PVC sight gauge off drain with stainless steel tee and valve. 20 feet of 100 psi flexible 2" fill hose shall be attached to the inlet of the tank with a 2" polypropylene quick connect. Containment tank shall have permanent signage labeling inlet, outlet, containment drain, and overfill warning sign. The successful bidder is responsible for scheduling with DOH for the availability of a DOH provided crane and operator for unloading and assembling at the site. Containment tank shall have 4 - 2,500 lb. each, lift lugs securely fastened.</p> <p>Delivery: FOB any designated delivery site within the Division of Highways District 10</p>	<p style="font-size: 1.2em;">\$15,936 ⁹⁵ total</p>



State of West Virginia
 Department of Administration
 Purchasing Division
 2019 Washington Street East
 Post Office Box 50130
 Charleston, WV 25305-0130

Request for Quotation

RFQ NUMBER
 6610C012

PAGE
 1

ADDRESS CORRESPONDENCE TO ATTENTION OF:
 MICHAEL AUSTIN
 804-558-2402

VENDOR

*310143042 320-834-2595
 VARITECH INDUSTRIES INC
 PO BOX 457
 ALEXANDRIA MN 56308-0457

SHIP TO

DIVISION OF HIGHWAYS
 VARIOUS LOCALES AS INDICATED
 BY ORDER

DATE PRINTED	TERMS OF SALE	SHIP VIA	F.O.B	FREIGHT TERMS
12/29/2009				

BID OPENING DATE:

01/06/2010

BID OPENING TIME 01:30PM

LINE	QUANTITY	UOP	CAT NO	ITEM NUMBER	UNIT PRICE	AMOUNT
				ADDENDUM NO. 2		
				TO ADD WAGE RATES:		
				WAGE RATES: THE CONTRACTOR OR SUBCONTRACTOR SHALL PAY THE HIGHER OF THE U.S DEPARTMENT OF LABOR MINIMUM WAGE RATES AS ESTABLISHED FOR VARIOUS COUNTIES , PURSUANT TO WEST VIRGINIA CODE 21-5A, ET, SEQ.		
				BID OPENING DATE AND TIME REMAINS THE SAME.		
				NO OTHER CHANGES		
0001	1	EA		830-61	See Attached	
				BRINE STORAGE TANKS		
				***** THIS IS THE END OF RFQ 6610C012 ***** TOTAL:		

SEE REVERSE SIDE FOR TERMS AND CONDITIONS

SIGNATURE *[Signature]* TELEPHONE 1-888-208-0686 DATE 1-5-10
 TITLE Sales FEIN 41-1557096 ADDRESS CHANGES TO BE NOTED ABOVE

WHEN RESPONDING TO RFQ, INSERT NAME AND ADDRESS IN SPACE ABOVE LABELED 'VENDOR'

State of West Virginia

VENDOR PREFERENCE CERTIFICATE

Certification and application* is hereby made for Preference in accordance with West Virginia Code, §5A-3-37. (Does not apply to construction contracts). West Virginia Code, §5A-3-37, provides an opportunity for qualifying vendors to request (at the time of bid) preference for their residency status. Such preference is an evaluation method only and will be applied only to the cost bid in accordance with the West Virginia Code. This certificate for application is to be used to request such preference. The Purchasing Division will make the determination of the Resident Vendor Preference, if applicable.

- 1. Application is made for 2.5% resident vendor preference for the reason checked: Bidder is an individual resident vendor and has resided continuously in West Virginia for four (4) years immediately preceding the date of this certification; or, Bidder is a partnership, association or corporation resident vendor and has maintained its headquarters or principal place of business continuously in West Virginia for four (4) years immediately preceding the date of this certification; or 80% of the ownership interest of Bidder is held by another individual, partnership, association or corporation resident vendor who has maintained its headquarters or principal place of business continuously in West Virginia for four (4) years immediately preceding the date of this certification; or, Bidder is a nonresident vendor which has an affiliate or subsidiary which employs a minimum of one hundred state residents and which has maintained its headquarters or principal place of business within West Virginia continuously for the four (4) years immediately preceding the date of this certification; or,
2. Application is made for 2.5% resident vendor preference for the reason checked: Bidder is a resident vendor who certifies that, during the life of the contract, on average at least 75% of the employees working on the project being bid are residents of West Virginia who have resided in the state continuously for the two years immediately preceding submission of this bid; or,
3. Application is made for 2.5% resident vendor preference for the reason checked: Bidder is a nonresident vendor employing a minimum of one hundred state residents or is a nonresident vendor with an affiliate or subsidiary which maintains its headquarters or principal place of business within West Virginia employing a minimum of one hundred state residents who certifies that, during the life of the contract, on average at least 75% of the employees or Bidder's affiliate's or subsidiary's employees are residents of West Virginia who have resided in the state continuously for the two years immediately preceding submission of this bid; or,
4. Application is made for 5% resident vendor preference for the reason checked: Bidder meets either the requirement of both subdivisions (1) and (2) or subdivision (1) and (3) as stated above; or,
5. Application is made for 3.5% resident vendor preference who is a veteran for the reason checked: Bidder is an individual resident vendor who is a veteran of the United States armed forces, the reserves or the National Guard and has resided in West Virginia continuously for the four years immediately preceding the date on which the bid is submitted; or,
6. Application is made for 3.5% resident vendor preference who is a veteran for the reason checked: Bidder is a resident vendor who is a veteran of the United States armed forces, the reserves or the National Guard, if, for purposes of producing or distributing the commodities or completing the project which is the subject of the vendor's bid and continuously over the entire term of the project, on average at least seventy-five percent of the vendor's employees are residents of West Virginia who have resided in the state continuously for the two immediately preceding years.

Bidder understands if the Secretary of Revenue determines that a Bidder receiving preference has failed to continue to meet the requirements for such preference, the Secretary may order the Director of Purchasing to: (a) reject the bid; or (b) assess a penalty against such Bidder in an amount not to exceed 5% of the bid amount and that such penalty will be paid to the contracting agency or deducted from any unpaid balance on the contract or purchase order.

By submission of this certificate, Bidder agrees to disclose any reasonably requested information to the Purchasing Division and authorizes the Department of Revenue to disclose to the Director of Purchasing appropriate information verifying that Bidder has paid the required business taxes, provided that such information does not contain the amounts of taxes paid nor any other information deemed by the Tax Commissioner to be confidential.

Under penalty of law for false swearing (West Virginia Code, §61-5-3), Bidder hereby certifies that this certificate is true and accurate in all respects; and that if a contract is issued to Bidder and if anything contained within this certificate changes during the term of the contract, Bidder will notify the Purchasing Division in writing immediately.

Bidder: VariTech Industries

Signed: [Signature]

Date: 1-5-10

Title: Sales

*Check any combination of preference consideration(s) indicated above, which you are entitled to receive.

RFQ No. 6610C012

STATE OF WEST VIRGINIA
Purchasing Division

PURCHASING AFFIDAVIT

West Virginia Code §5A-3-10a states: No contract or renewal of any contract may be awarded by the state or any of its political subdivisions to any vendor or prospective vendor when the vendor or prospective vendor or a related party to the vendor or prospective vendor is a debtor and the debt owed is an amount greater than one thousand dollars in the aggregate.

DEFINITIONS:

"Debt" means any assessment, premium, penalty, fine, tax or other amount of money owed to the state or any of its political subdivisions because of a judgment, fine, permit violation, license assessment, defaulted workers' compensation premium, penalty or other assessment presently delinquent or due and required to be paid to the state or any of its political subdivisions, including any interest or additional penalties accrued thereon.

"Debtor" means any individual, corporation, partnership, association, limited liability company or any other form or business association owing a debt to the state or any of its political subdivisions. "Political subdivision" means any county commission; municipality; county board of education; any instrumentality established by a county or municipality; any separate corporation or instrumentality established by one or more counties or municipalities, as permitted by law; or any public body charged by law with the performance of a government function or whose jurisdiction is coextensive with one or more counties or municipalities. "Related party" means a party, whether an individual, corporation, partnership, association, limited liability company or any other form or business association or other entity whatsoever, related to any vendor by blood, marriage, ownership or contract through which the party has a relationship of ownership or other interest with the vendor so that the party will actually or by effect receive or control a portion of the benefit, profit or other consideration from performance of a vendor contract with the party receiving an amount that meets or exceed five percent of the total contract amount.

EXCEPTION: The prohibition of this section does not apply where a vendor has contested any tax administered pursuant to chapter eleven of this code, workers' compensation premium, permit fee or environmental fee or assessment and the matter has not become final or where the vendor has entered into a payment plan or agreement and the vendor is not in default of any of the provisions of such plan or agreement.

Under penalty of law for false swearing (*West Virginia Code* §61-5-3), it is hereby certified that the vendor affirms and acknowledges the information in this affidavit and is in compliance with the requirements as stated.

WITNESS THE FOLLOWING SIGNATURE

Vendor's Name: VariTech Industries

Authorized Signature: [Signature] Date: 1-5-10

State of Minnesota

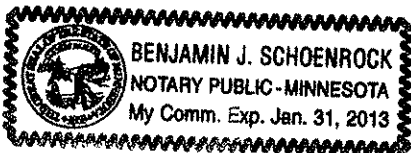
County of Douglas, to-wit:

Taken, subscribed, and sworn to before me this 5th day of JANUARY, 2010.

My Commission expires JANUARY 31, 2013.

AFFIX SEAL HERE

NOTARY PUBLIC



[Signature]



A Subsidiary of FORCE America, Inc.

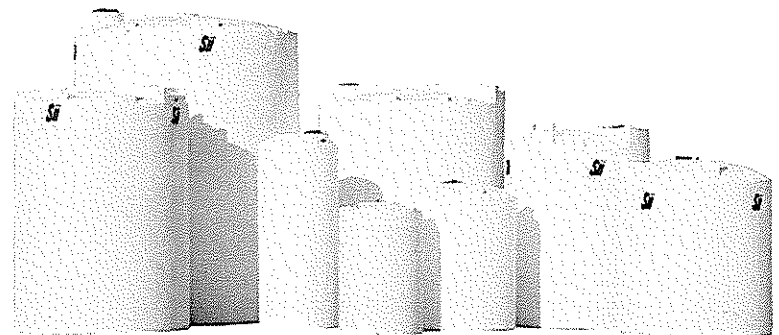
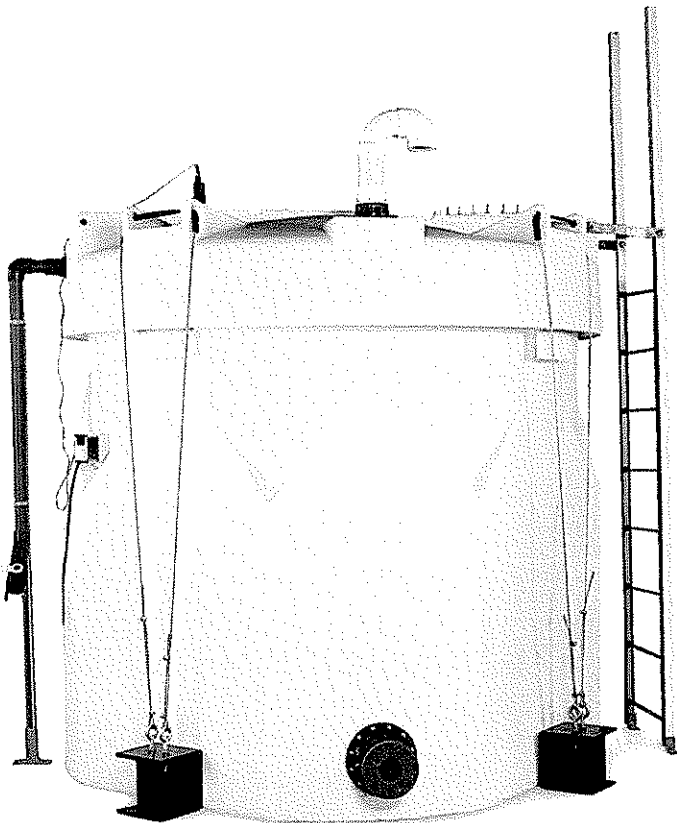
Storage Systems

Vertical Storage Tanks

The Vertical storage tank series are constructed of rotationally molded high-density polyethylene plastic tanks capable of holding up to 16,500 gallons. Tanks are available in both single wall and double wall units, which offer a 110% containment system.

F E A T U R E S

- **Available in 1.5 or 1.9 Specific Gravities**
Reduces the bulging associated with high specific gravity liquids.
- **High-density U.V. Stabilized, Polyethylene Plastic**
Exceptional protection from the sun deterioration for extended life.
- **Extra Large 16" Man-way**
Allows for easy access to the tank for cleaning and maintenance.
- **Optional Double Wall Tank**
Meets OSHA liquid storage standards with 110% containment system.
- **Optional Integrated Lifting Lugs**
Provide tank points for easy installation and moving.
- **Designed Mounting Surfaces**
Easily mount valves and fittings to flat tank surfaces.
- **Optional Stainless Steel Tank Fittings and Ball Valve**
Prevents possible breaking points associated with plastic fittings which could create a liquid spill.
- **Optional Single Wall Gallon Markers**
Easily read tank level without electronic measurements.
- **Corrosion Proof Material**
Capable of storing corrosive chemicals typically associated with anti-icing and industrial applications.

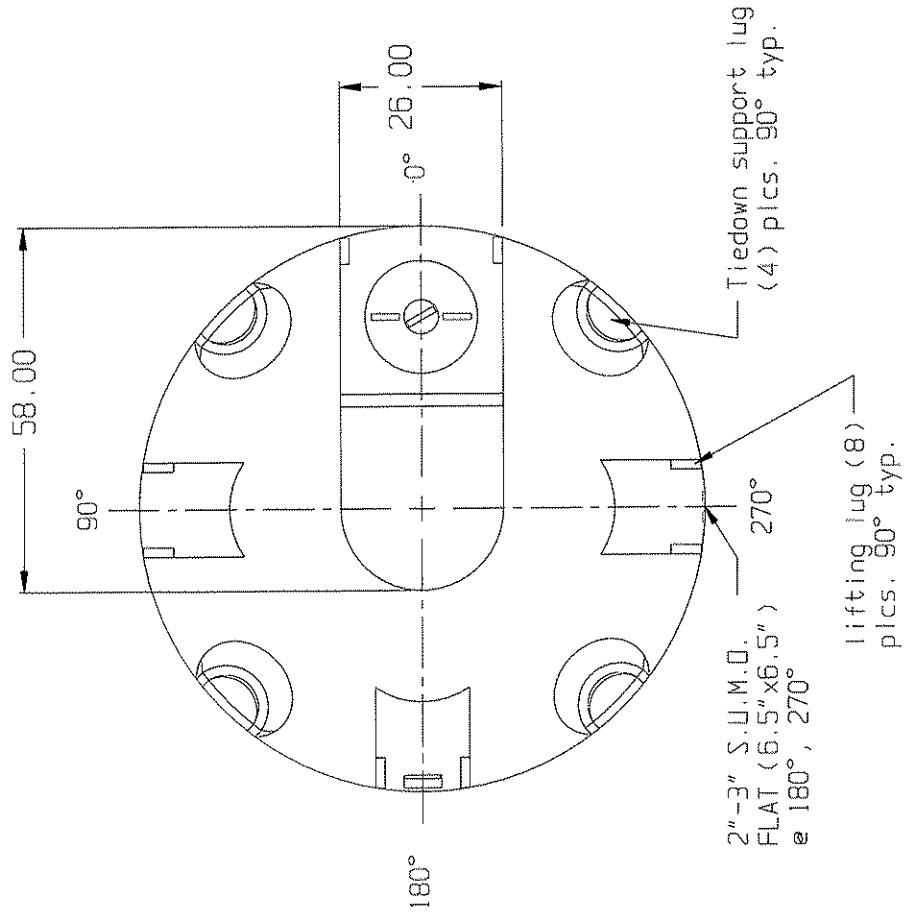
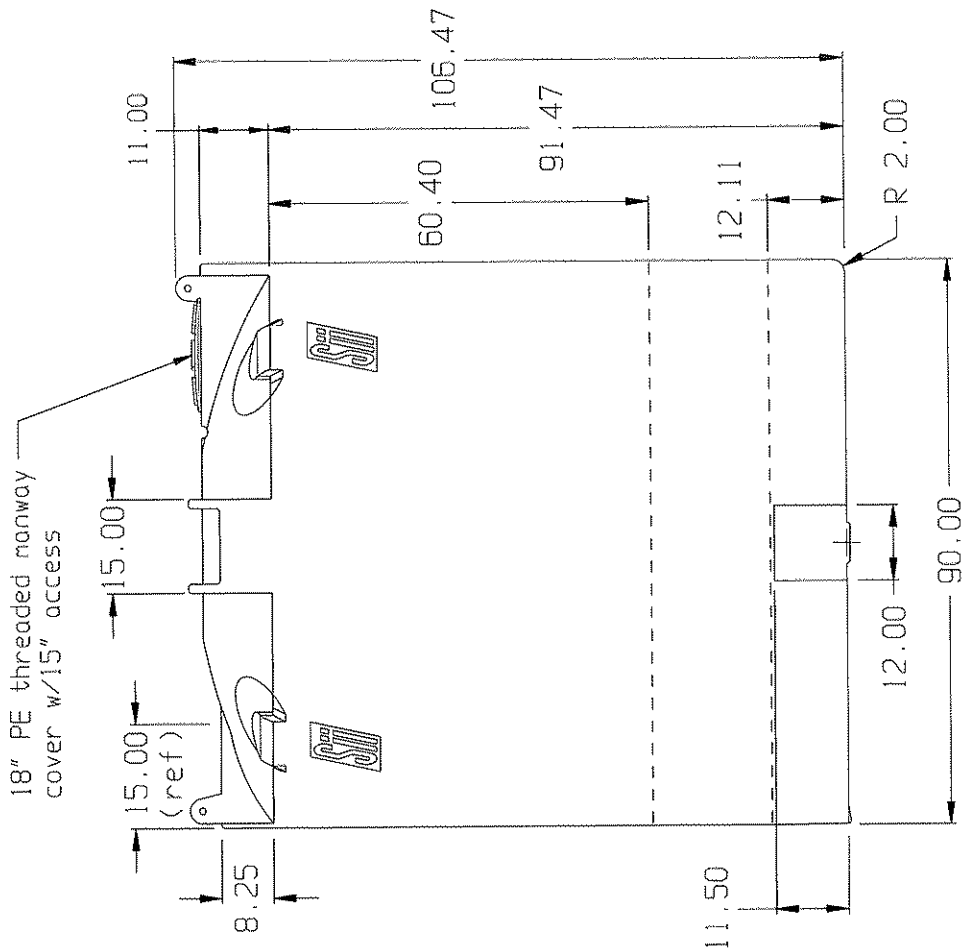


888-208-0686

www.varitech-industries.com

4115 Minnesota Street, Alexandria, MN 56308 / PH: 320-763-5074 FX: 320-763-5612 EM: info@varitech-industries.com

SNYDER INDUSTRIES INC.



(all dimensions in inches)
 PART # TANK: 5090--L

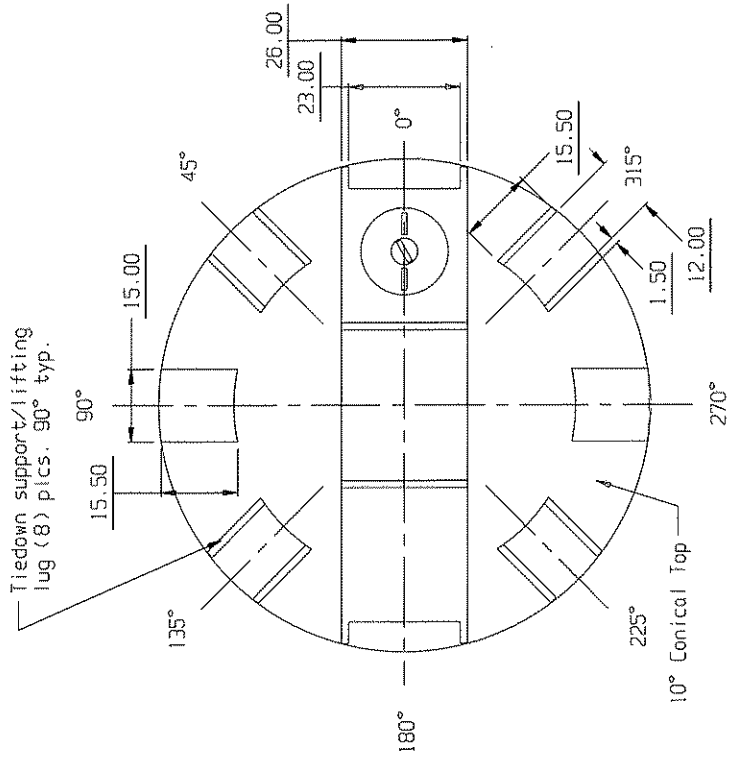
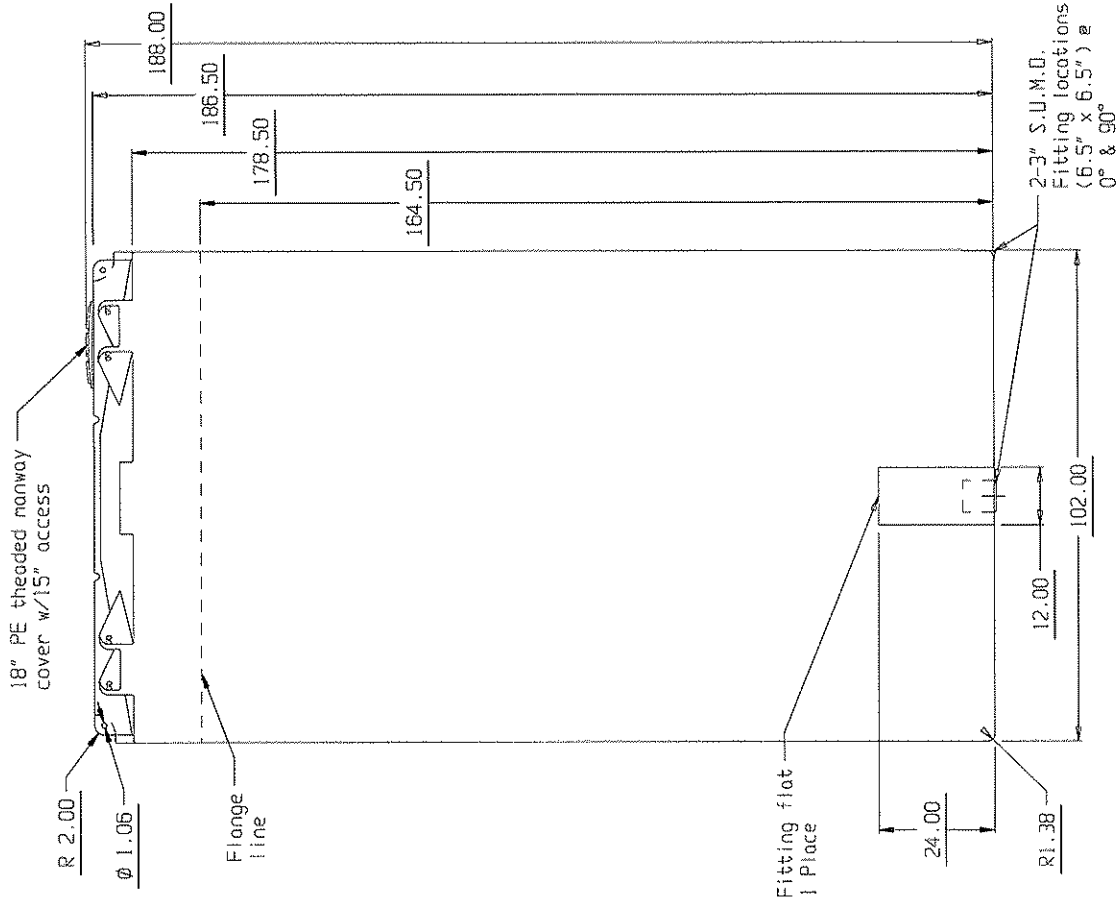
BASE FITTINGS TO BE LEFT INSTALLED AT TIME OF SHIPMENT PER SII PROCEDURE

2,500 GALLON FLAT BOTTOM TANK

REF#: 0000

06/27/02

SNYDER INDUSTRIES INC.



(all dimensions in inches)

PART # TANK: 743000N--L

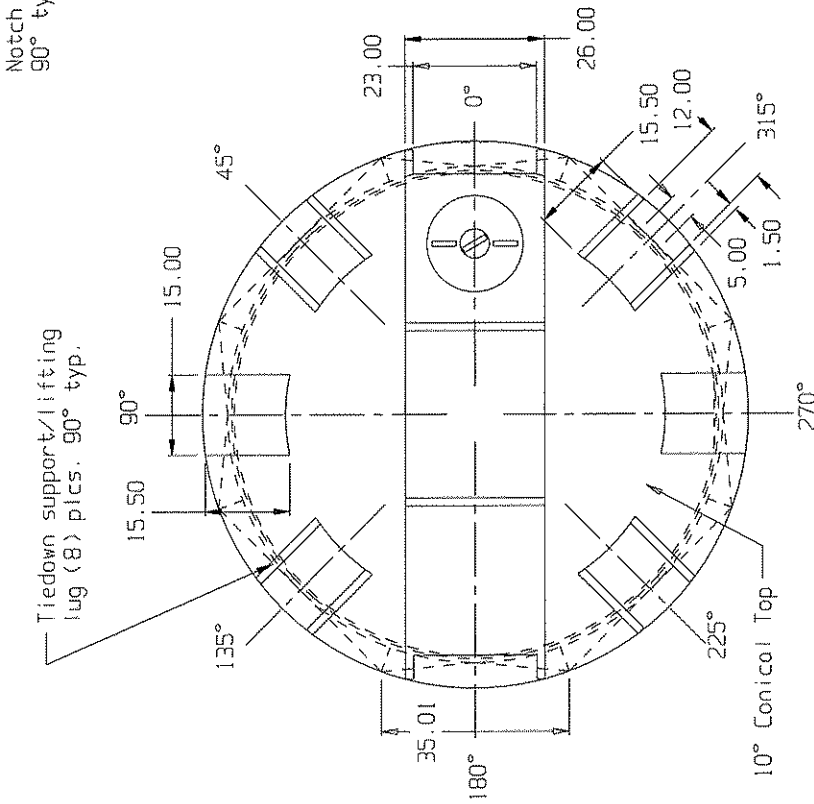
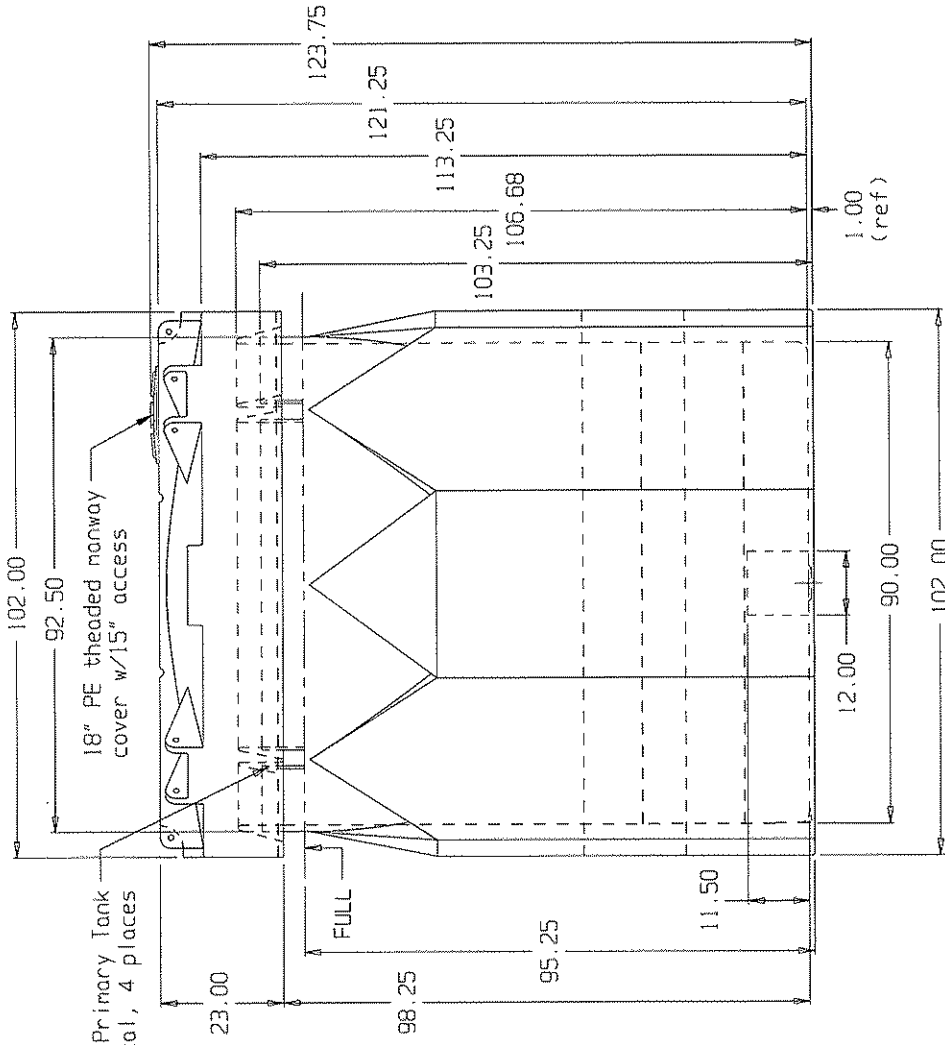
6,000 GALLON FLAT BOTTOM TANK

* BASE FITTINGS TO BE LEFT INSTALLED AT TIME OF SHIPMENT PER SII PROCEDURE
 * Consult Snyder's Guidelines for Use and Installation prior to delivery.
 Available on-line at www.snyder.net

REF#: 0000

01/06/04

SNYDER INDUSTRIES INC.



(all dimensions in inches)

PART # PRIMARY: 5580--

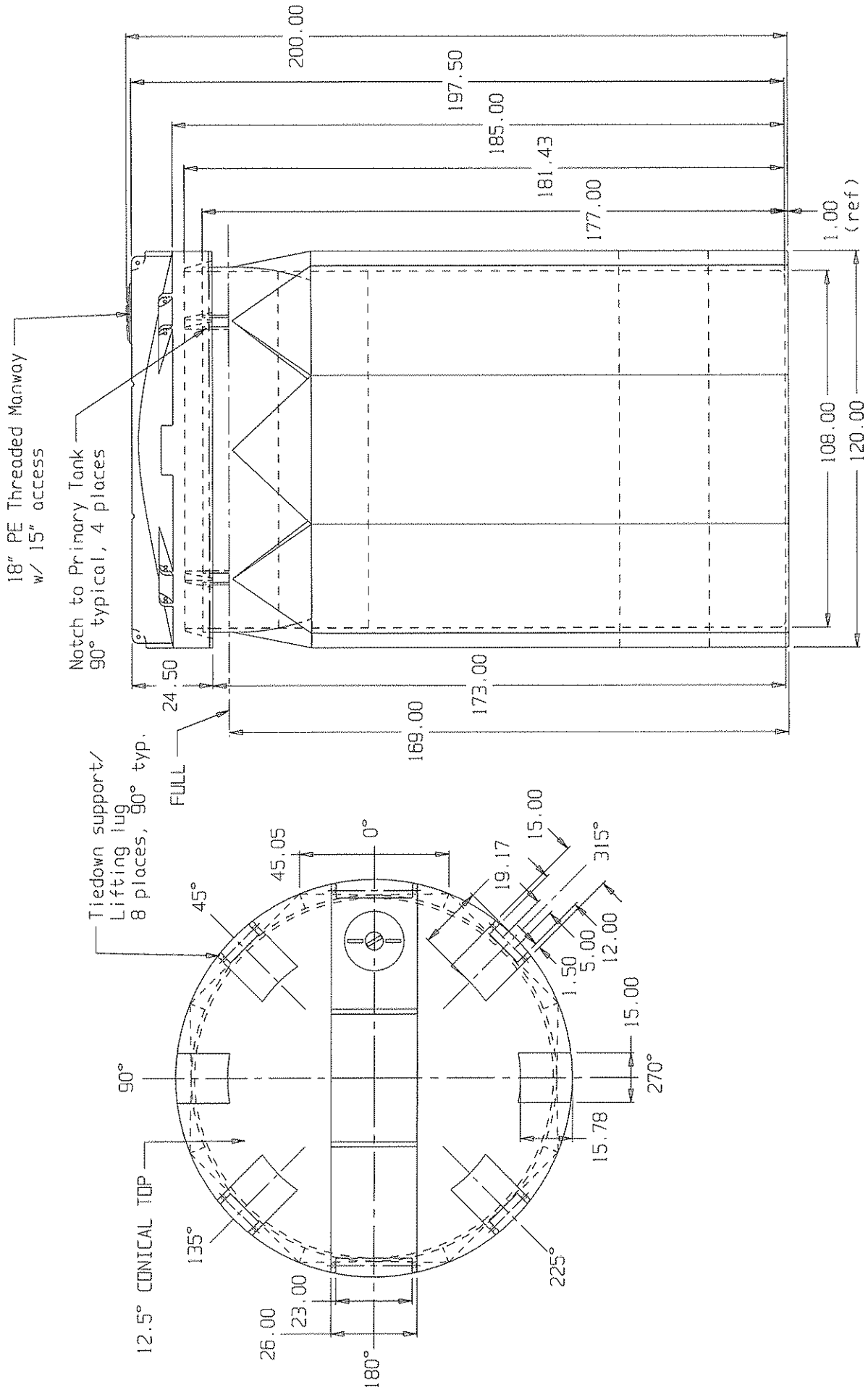
CONTAINMENT: 5510--

REF#: 0000 07/29/02

BASE FITTINGS TO BE LEFT INSTALLED AT TIME OF SHIPMENT PER SII PROCEDURE

2,500 GALLON CAPTOR CONTAINMENT SYSTEM

SNYDER INDUSTRIES INC.



(all dimensions in inches)

PART # PRIMARY: 5670--

CONTAINMENT: 5650--

REF#: 0000

06/28/02

BASE FITTINGS TO BE LEFT INSTALLED AT TIME OF SHIPMENT PER SII PROCEDURE

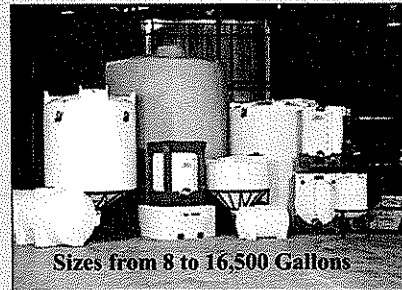
6,500 GALLON CAPTOR CONTAINMENT SYSTEM

Why Choose a Snyder Tank? See the Advantages Listed Below!

Freedom of Choice...

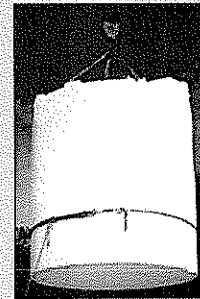
Snyder offers both HDLPE (since 1984) and XLPE (since 1973) resins along with extensive processing experience, in a Wide Variety of Sizes and Designs including...

- ◆ Vertical Storage Tanks
- ◆ Cone Bottom Storage Tanks
- ◆ Open Top Tanks
- ◆ Horizontal Tanks
- ◆ Double Wall Containment Tanks
- ◆ Intermediate Bulk Containers (IBCs)



Molded-in Lifting Lugs...

Most purchasers of large tanks forget about this important feature until it is too late. Lifting lugs allow you to offload the tank and put it into place with ease and without damage to the tank. Molded in lifting lugs also reduce installation costs and increase safety. Without molded-in lifting lugs, corrosion resistant eye bolts must be put into the top of the tank to lift it which adds extra holes to the tank and adds extra "hidden" costs.



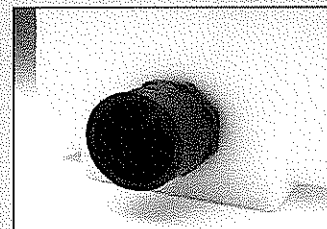
Molded-in Fitting Flats

Fitting flats on the top of the tank allow for easy installation of fittings (bulkhead or bolted). It also allows the outlet to come out perpendicular to the tank for piping purposes. Without fitting flats a self-aligning bulkhead fitting may be needed which can cause prices to skyrocket.



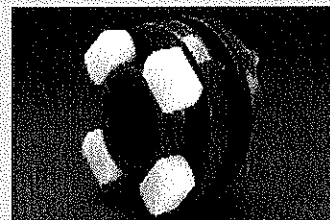
SUMO Full Drain Outlet

This unique full drain outlet is available on tank 1900 gallons and larger. It allows for maximum tank drainage as opposed to typical mechanical fittings with siphon tubes that can leave as much as 9" of liquid in the bottom of the tank. This saves money and makes cleaning a breeze.



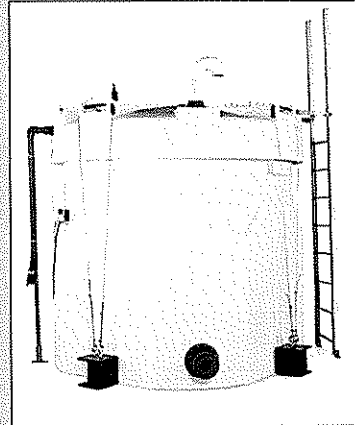
Double Flanged Bolted Fittings

Snyder's Double Flanged Bolted Fitting with Polyethylene Encapsulated Bolts is the best mechanical fitting on the market. It incorporates TWO full 150# flanges. The oblong encapsulation of the bolts also allows the fitting to be tightened from the outside without having to enter the tank!



Double Wall Containment Tanks

Snyder offers double wall tanks in sizes of 120 to 6500 gallons. The containment tanks ensure 115% - 120% containment of the primary tank. An octagonal containment tank and the unique sidewall outlet is what makes this double wall tank design the best in the market. The octagonal containment tank shape prevents lateral movement of the primary tank allowing it to meet seismic zone 4 and 110 mph windload conditions.



ASTM / NSF / FDA

Snyder Industrial Tanks are designed, built and tested to ASTM D 1998-97 Standards. Some tank companies claim their tanks are designed to ASTM standards but they don't do the testing and cannot provide the documentation. Insist that your tanks meet all aspects of ASTM. Snyder also offers NSF approved tanks as shown by our listing on www.nsf.org.

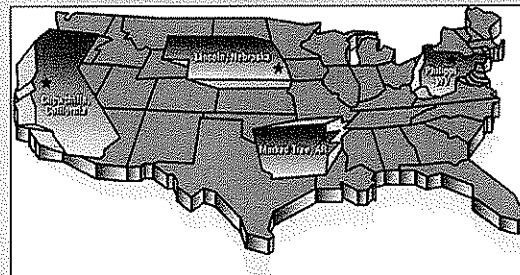
Snyder's HDLPE (High Density Linear Polyethylene) tanks are also made with resin that complies with FDA Regulation 177.1520 for Food Grade Materials.



Multiple Plant Locations

Snyder has multiple plant locations to help save money on shipments and reduce lead times. Our plants are located in ...

- ◆ Lincoln, Nebraska (2 plants)
- ◆ Marked Tree, Arkansas
- ◆ Philippi, West Virginia
- ◆ Chowchilla, California



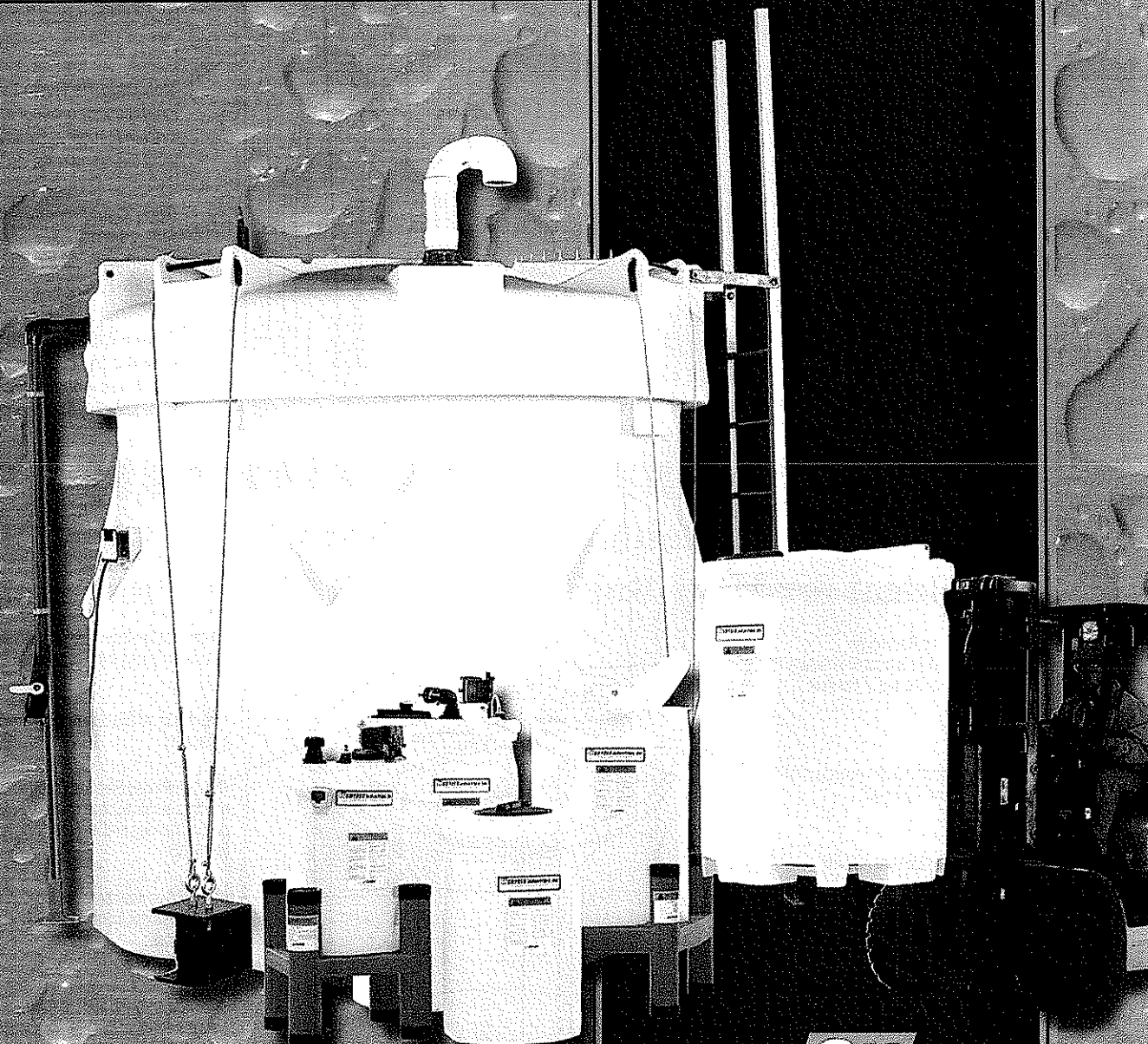
In addition to these great features and services, Snyder also provides engineering design guidance, chemical compatibility guidance, hydrostatic testing, installation of fittings and inventory for commodity tanks.

THE ENGINEERED DIFFERENCE IN TANKS

P.O. Box 4583 • Lincoln, Nebraska 68504 • 402-467-5221 • FAX: 402-465-1220 • www.snydernet.com
Other manufacturing locations: Marked Tree, Arkansas • Chowchilla, California • Philippi, West Virginia

Captor™ Containment

DOUBLE WALL TANK SYSTEMS



www.snydernet.com

Captor Containment System

Protects Bulk Storage Profits

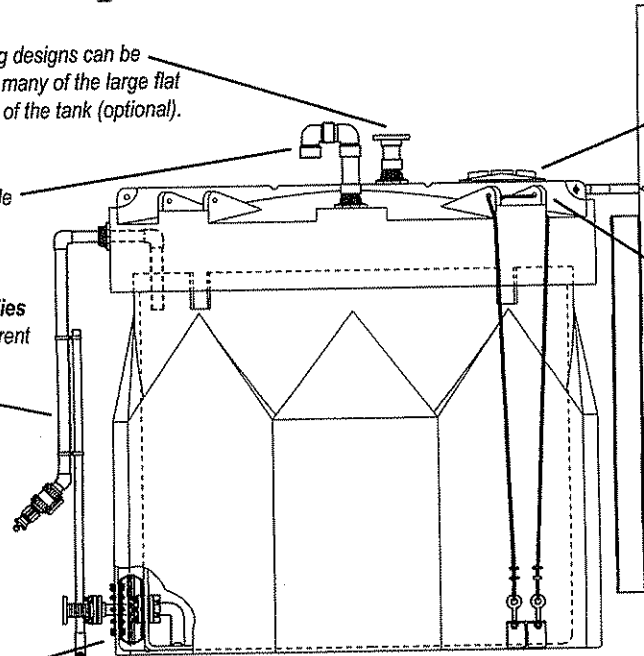
Without Jeopardizing Safety or the Environment

Flanged Outlets and other fitting designs can be securely fastened and sealed to many of the large flat areas located on the top section of the tank (optional).

U-Vent Assemblies are available in a variety of sizes to relieve vacuum pressures.

Fill and/or Draw Pipe Assemblies can be installed to facilitate different material loading or un-loading requirements. (optional).

U.F.O. (Unified Fitting Outlet) is uniquely designed to mechanically seal fitting outlet through both the inner and outer tank walls. Material unloading is easier and more cost effective than pumping contents from the top of the tank (optional).



Patent No. 6,474,496

Bolted and Threaded Manways are available in sizes up to 24". Standard size is an 18" threaded manway.

OSHA Approved Ladders are available with and without cages in fiberglass and steel construction.

Molded in Tie-Down Lugs interface with optional cable restraint system to meet seismic and 150 mph wind load requirements.

Outer Containment Tank provides 115-120% of inner tanks capacity for added safety factor. Complies with 40 CFR-264.193.

Double Wall Tank Construction encloses and interlocks outer and inner tank to prevent rain, snow, and debris from entering outer containment tank.

Mini-Captor Containments

Double Wall Tank System

Ideal for Mini-Bulk Chemical Delivery Programs

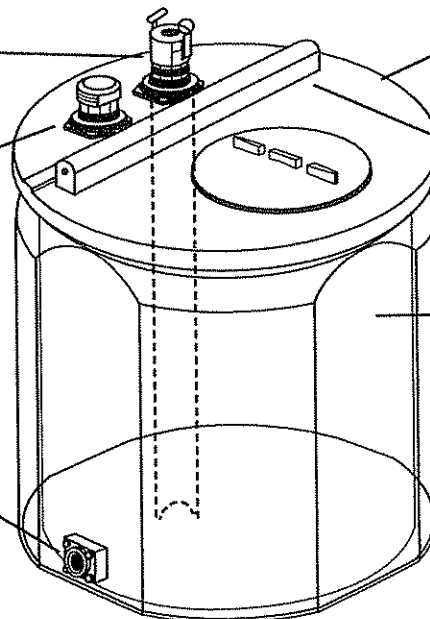
Top Draw-Tube Assembly enables material contents to be safely dispensed from the top of the tank. (optional)

2" Vent provides pressure vacuum relief for interior tank. (optional)

Available in **XLPE and HDLPE** resin packages.

Transition Fitting allows sidewall safe installation and long-term sealing power through both walls of tank. (optional)

Forklift Channels are available on 275, 360 and 500 gallon sizes.



Patent No. 6,474,496

Large Flat Surface Area provides ample space for a variety of fitting sizes and styles.

Two Tanks within one design provide double-wall protection.

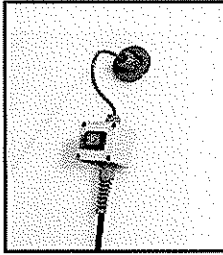
Rib Reinforced Flat Top Design provides ample surface space for chemical feed pump mounting and multiple fitting and accessories installation.

Narrow Diameter provides location versatility in that it can fit through most any doorway on sizes up to 150 gallons.

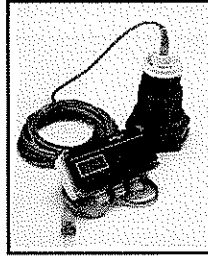
Secondary Containment Tank provides 120% of inner tank's capacity. Complies with 40 CFR-264.193.

All Other Snyder Industrial Product Fittings and accessories are available wherever applicable.

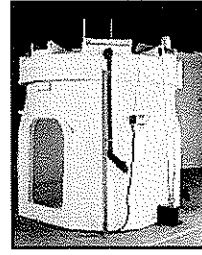
Captor Options/Accessories



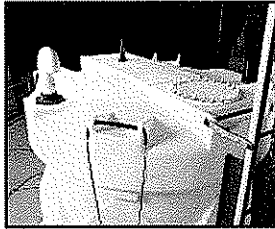
Leak Detection Sensor
Capacitive proximity sensor detects and communicates the smallest of leaks with an easy to understand warning signal.



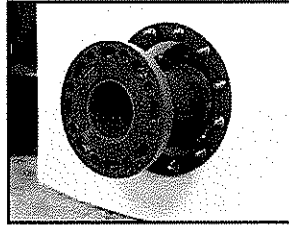
Level Indicator
Ultrasonic level indicator with digital display measures the inner tank's slightest liquid level changes.



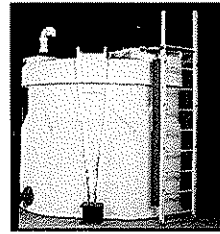
Fill Pipe Assembly
Modified to accommodate double wall construction and take advantage of our outer containment capability.



Other Options
Bolted and sealed manways, heat trace and insulation, and most other Snyder tank fittings and accessories.



Transition Fitting
U.F.O. (Unified Fitting Outlet) design allows side wall fittings to be installed and safely sealed through both walls of the Captor Containment System.

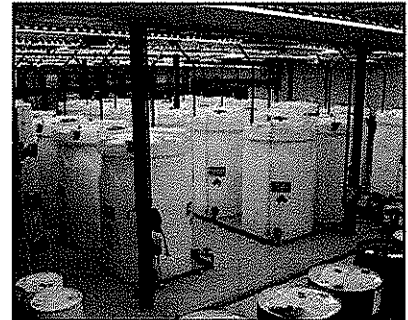


Seismic Restraints and Ladders
Molded-in tie-down lugs and cable tie-down system meet seismic and 150 mph wind load requirements. OSHA-approved ladders are also available.

Tank Material Options
High Density linear polyethylene (HDLPE) or cross-linked polyethylene (XLPE).

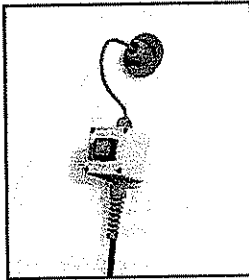
SPECIFICATIONS

Captor Containment System			
Part No.	Gallons	Diameter	Height
504/503	550	76"	65"
547/545	1,100	76"	104"
549/546	1,550	76"	136"
557/550	2,000	102"	103"
558/551	2,500	102"	122"
559/552	3,000	102"	142"
560/553	3,500	102"	158"
561/554	4,000	102"	178"
562/555	4,500	102"	197"
563/556	5,000	102"	216"
566/564	5,500	120"	172"
567/565	6,500	120"	199"
10064/10065	8,700	142"	197"
10066/10067	10,000	142"	226"



All Snyder specific gravity ratings meet or exceed ASTM D-1998. Consult your Snyder representatives on material construction recommendations for your company's particular application.

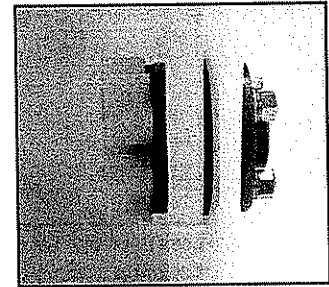
Mini-Captor Options/Accessories



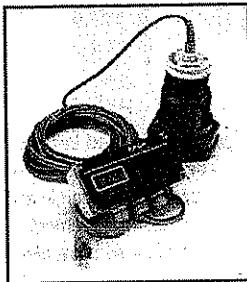
Leak Detection Sensor
Capacitive proximity sensor detects and communicates the smallest of leaks with an easy to understand warning signal.



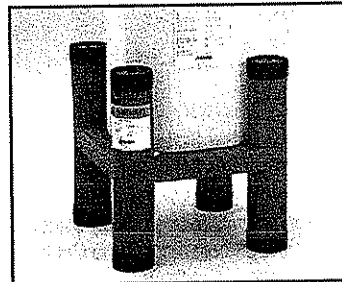
Forklift and Pallet Jack Accessible Design
Larger 275, 360 and 500 gallon sizes are equipped with forklift channels designed to help move the containers when full and empty.



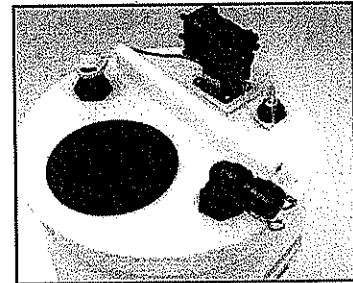
Transition Fitting
Allows safe sidewall installation and long-term sealing power through both walls of tank.



Level Indicator
Ultrasonic level indicator with digital display measures the inner tank's slightest liquid level changes.



Stands
Mini-Captor tank systems (35-275 gals.) can be mounted on elevation stands, creating more room for plumbing and other system requirements without utilizing additional floor space. *Patent No. 7,059,575*



Other Fittings and Accessories
All applicable Snyder Industries fittings and accessories can be integrated to complete tank system.

Tank Material Options
High-density linear polyethylene (HDLPE) or cross-linked polyethylene (XLPE).

SPECIFICATIONS

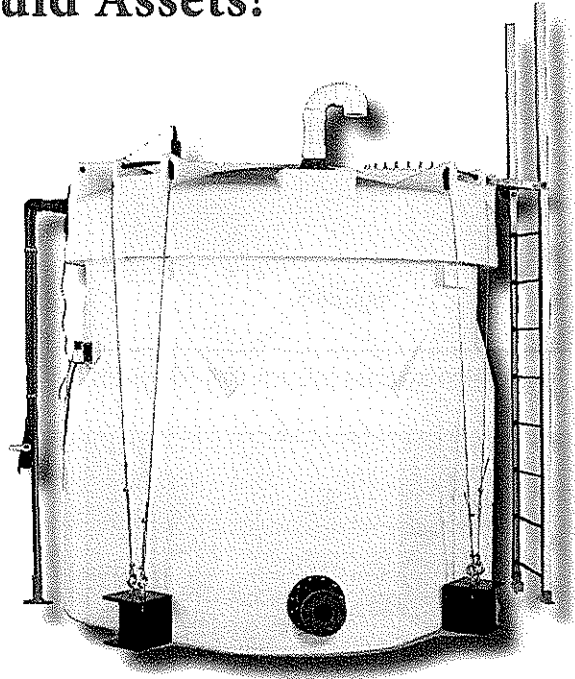
Mini-Captor Tank Systems				
Part No.	Gallons	Diameter	Height	Lid
100200N---	35	22"	36"	6"
100300N---	60	26"	41"	14"
598000N---	120	34"	49"	14"
100400N---	150	34"	60"	14"
100500N---	275	47"	60"	14"
100600N---	360	53"	60"	14"
100800N---	500	53"	79"	14"

Double Strength Protection

Protect Your Liquid Assets!

Regulation is becoming increasingly stringent in the formulation and enforcement of chemical containment legislation. Berm and tank-in-a-basin containment systems, thought to be modern, are now found to be inadequate and not compliant.

There is an answer. Snyder's polyethylene tanks with secondary containment systems can safely store a wide range of hazardous chemicals. Our double wall (tank-in-a-tank) designs are being increasingly utilized as a supplement or alternative to secondary containment requirements. The design features built into Snyder's Captor and Mini-Captor Tank Systems increase safety and protect the environment without jeopardizing your profits.



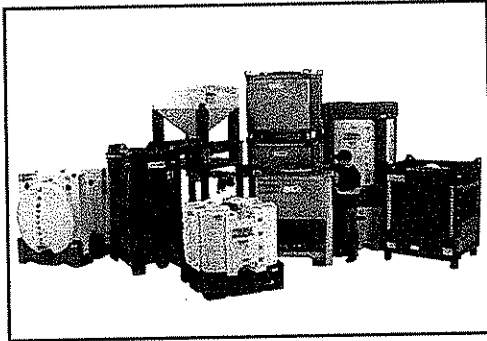
Consider the Benefits...

- Tank-in-a-tank design provides TOTAL containment protection in one space-saving unit.
- The system consists of a primary tank with a secondary outer containment tank with a capacity of 115%-120% of the inner tank's capacity, exceeding EPA standards.
- Double-wall construction is completely enclosed so that external matter such as rainwater, snow and debris is prevented from collecting in the outer containment tank making it ideal for outdoor chemical storage.
- Shipped fully-assembled on either a standard or wide-load flatbed trailer which reduces field assembly costs.
- Available in sizes ranging from 35 to 6500 gallons.
- Available in High Density Linear Polyethylene (HDLPE) or Cross Link Polyethylene (XLPE) construction. Having a choice provides ultimate chemical compatibility and performance.
- Tanks designed with wall thickness equal to or greater than ASTM D-1998 standards.

Your Snyder Double Wall Tank can be customized with these options...

- Seismic restraint system (for 550-6500 gallon sizes).
- 150 MPH wind load restraint system (for 550-6500 gallon sizes).
- Ultrasonic level indicators.
- Leak detection sensors.
- Heat tracing and insulation.
- OSHA compliant ladders (for 550-6500 gallon sizes).
- Variety of manway sizes and styles.
- Bottom sidewall outlets.
- Top inlet connections and vents.

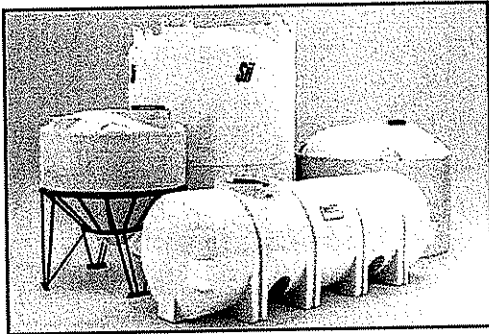
SOLUTIONS IN BULK HANDLING



Transportation containers hold from 60 to 550 gallons.

UN/DOT-APPROVED IBCs

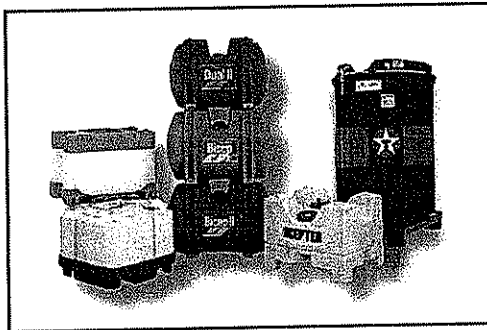
Snyder intermediate bulk containers (IBCs) are durable, corrosion-resistant and economical. These long-term, reusable containers are ideal for the transportation of both hazardous and non-hazardous liquid materials.



Stationary tanks store from 8 to 16,500 gallons.

BULK STORAGE & PROCESSING TANKS

For larger stationary applications, Snyder offers the industry's broadest range of tanks – from 8 to 16,500 gallons – in shapes that meet your specific needs. To match your special function requirements, we also market a complete line of accessories, such as stands, seismic tie-downs, ladders, fittings, gaskets, sight gauges, heat tracing and insulation.



Customized mini-bulk containers

CUSTOM CONTAINER DESIGNS

In addition to Snyder's extensive standard product offering, some of our greatest success stories stem from custom container designs to meet specific customer requirements. Snyder's engineering team is a recognized leader in design innovation, and is driven to work with customers to develop the best performing container at the lowest possible cost.

ONE SOURCE DOES IT ALL

Whether you are a manufacturer or distributor, Snyder Industries can help you improve the function, economics and performance of your company's bulk handling systems.



SOLUTIONS IN BULK HANDLING

P.O. Box 4583 • Lincoln, Nebraska 68504 • 402-467-5221 • FAX: 402-465-1220 • www.snydernet.com • email: sales@snydernet.com

Other manufacturing facilities: Marked Tree, Arkansas • Chowchilla, California • Philippi, West Virginia • Mancelona, Michigan

www.snydernet.com