



State of West Virginia
 Department of Administration
 Purchasing Division
 2019 Washington Street East
 Post Office Box 50130
 Charleston, WV 25305-0130

Request for Quotation

RFQ NUMBER
6610C012

PAGE
1

ADDRESS CORRESPONDENCE TO ATTENTION OF:
MICHAEL AUSTIN 304-558-2402

*A27153509 800-345-3546
 GVM INC
 PO BOX 358
 BIGLERVILLE PA 17307

DIVISION OF HIGHWAYS
 VARIOUS LOCALES AS INDICATED
 BY ORDER

DATE PRINTED	TERMS OF SALE	SHIP VIA	F.O.B.	FREIGHT TERMS
12/29/2009				

BID OPENING DATE: 01/06/2010 BID OPENING TIME 01:30PM

LINE	QUANTITY	UOP	CAT NO	ITEM NUMBER	UNIT PRICE	AMOUNT
0001	1	EA		830-61		
ADDENDUM NO.1 TO ADD SPECIFICATIONS PER THE ATTACHED BID OPENING DATE AND TIME REMAINS THE SAME NO OTHER CHANGES BRINE STORAGE TANKS						
***** THIS IS THE END OF RFQ 6610C012 ***** TOTAL: _____						

RECEIVED

2010 JAN -5 A 10:51

PURCHASING DIVISION
 STATE OF WV

SEE REVERSE SIDE FOR TERMS AND CONDITIONS			
SIGNATURE <i>Thomas Bau</i>	TELEPHONE 800-458-5123	DATE 1/4/2010	
TITLE <i>Vice President</i>	FEIN 232065809	ADDRESS CHANGES TO BE NOTED ABOVE	

WHEN RESPONDING TO RFQ, INSERT NAME AND ADDRESS IN SPACE ABOVE LABELED 'VENDOR'

Locations

<u>Nearest City</u>	<u>District</u>	<u>County</u>
Charleston	D-1	Kanawha
Sissonville	D-1	Kanawha
Amma	D-1	Kanawha
St. Albans	D-1	Putnam
Huntington	D-2	Cabell
Chapmanville	D-2	Logan
Ripley	D-3	Jackson
Parkersburg	D-3	Wood
Clarksburg	D-4	Harrison
Morgantown	D-4	Monongalia
Bruceton Mills	D-4	Preston
Martinsburg	D-5	Berkeley
Moorefield	D-5	Hardy
Wheeling	D-6	Ohio
Moundsville	D-6	Marshall
Sutton	D-7	Braxton
Weston	D-7	Lewis
Elkins	D-8	Randolph
Parsons	D-8	Tucker
Lewisburg	D-9	Greenbrier
Summersville	D-9	Nicholas
Princeton	D-10	Mercer
Beckley	D-10	Raleigh

Bid Sheet District 1

Item No.	Quantity	Description	Amount
001	2.00	<p>2,500 gallon heavy duty construction vertical polyethylene storage tank Norwesco Model #40052 or equal with SG 1.9, 95" diameter, 91" height, with a 2" outlet drain and a 2" fill port installed near the top of each tank with 20 feet of 100 psi flexible 2" fill hose with a 2" polypropylene quick connect attached. A shutoff valve shall be installed at the 2" outlet drain of each tank and the tanks shall be plumbed with 2" schedule 80 pvc to a common outlet, or T, with a shut off valve at the T. Price to include delivery, assembly, labor, parts, and materials.</p> <p>Delivery: FOB any designated delivery site within the Division of Highways District 1</p>	\$ 4117.00
002	2.00	<p>2,500 gallon heavy duty construction vertical polyethylene storage tank Norwesco Model #40052 or equal with SG 1.9, 95" diameter, 91" height, with a 2" outlet drain and a 2" fill port installed near the top of each tank. Each tank shall be enclosed in secondary containment in a way that prevents rainfall from entering the containment, which consists of a vertical polyethylene storage tank, SG 1.5, that provides 110% capacity for secondary containment. Valves, bulkhead fittings, nipples, tees, and elbows must be 316 stainless steel unless noted. Containment tanks shall have a 16" lockable manway lid located above the storage tank lid. The containment tanks shall have plumbing from the storage tank thru the containment tank as follows: 2" stainless steel bolted inlet assembly and flexible interconnect, 2" stainless steel bolted gravity drain assembly and flexible interconnect with stainless steel valve. The flexible interconnects shall be ultra high molecular weight polyethylene chemical hose. The containment tanks shall have a 3" poly vent with cap and screen, 2" drain with PVC valve and plug, 3/4" flexible PVC sight gauge off drain with stainless steel tee and valve. A shutoff valve shall be installed at the 2" outlet of each containment tank and the tanks shall be plumbed with 2" schedule 80 pvc to a common outlet, or T, with a shut off valve at the T. 20 feet of 100 psi flexible 2" fill hose shall be attached to the inlets of each tank with a 2" polypropylene quick connect. Containment tanks shall have permanent signage labeling inlet, outlet, containment drain, and overfill warning sign. The successful bidder is responsible for scheduling with DOH for the availability of a DOH provided crane and operator for unloading or assembling at the site. Containment tanks shall have 4 - 2,500 lb. each, lift lugs securely fastened. Price to include delivery, assembly, labor, parts, and materials.</p> <p>Delivery: FOB any designated delivery site within the Division of Highways District 1</p>	\$ 18,398.00

Bid Sheet District 1

Item No.	Quantity	Description	Amount
003	1.00	<p>6,100 gallon heavy duty construction vertical polyethylene storage tank Norwesco Model #40061 or equal with SG 1.9, 119" diameter, 140" height, with a 2" outlet drain and a 2" fill port installed near the top of the tank with 20 feet of 100 psi flexible 2" fill hose with a 2" polypropylene quick connect attached. Price to include delivery, assembly, labor, parts, and materials.</p> <p>Delivery: FOB any designated delivery site within the Division of Highways District 1</p>	\$4,558.15
004	1.00	<p>6,100 gallon heavy duty construction vertical polyethylene storage tank Norwesco Model #40061 or equal with SG 1.9, 119" diameter, 140" height, with a 2" outlet drain and a 2" fill port installed near the top of the tank. This tank shall be enclosed in secondary containment in a way that prevents rainfall from entering the containment, which consists of a vertical polyethylene storage tank SG 1.5 that provides 110% capacity for secondary containment. Valves, bulkhead fittings, nipples, tees, and elbows must be 316 stainless steel unless noted. Containment tank shall have a 16" lockable manway lid located above the storage tank lid. The containment tank shall have plumbing from the storage tank thru the containment tank as follows: 2" stainless steel bolted inlet assembly and flexible interconnect, 2" stainless steel bolted gravity drain assembly and flexible interconnect with stainless steel valve. The flexible interconnects shall be ultra high molecular weight polyethylene chemical hose. The containment tank shall have a 3" poly vent with cap and screen, 2" drain with PVC valve and plug, 3/4" flexible PVC sight gauge off drain with stainless steel tee and valve. 20 feet of 100 psi flexible 2" fill hose shall be attached to the inlet of the tank with a 2" polypropylene quick connect. Containment tank shall have permanent signage labeling inlet, outlet, containment drain, and overfill warning sign. The successful bidder is responsible for scheduling with DOH for the availability of a DOH provided crane and operator for unloading and assembling at the site. Containment tank shall have 4 - 2,500 lb. each, lift lugs securely fastened.</p> <p>Delivery: FOB any designated delivery site within the Division of Highways District 1</p>	\$13,639.00

Bid Sheet District 2

Item No.	Quantity	Description	Amount
001	2.00	<p>2,500 gallon heavy duty construction vertical polyethylene storage tank Norwesco Model #40052 or equal with SG 1.9, 95" diameter, 91" height, with a 2" outlet drain and a 2" fill port installed near the top of each tank with 20 feet of 100 psi flexible 2" fill hose with a 2" polypropylene quick connect attached. A shutoff valve shall be installed at the 2" outlet drain of each tank and the tanks shall be plumbed with 2" schedule 80 pvc to a common outlet, or T, with a shut off valve at the T. Price to include delivery, assembly, labor, parts, and materials.</p> <p>Delivery: FOB any designated delivery site within the Division of Highways District 2</p>	\$ 4,117.00
002	2.00	<p>2,500 gallon heavy duty construction vertical polyethylene storage tank Norwesco Model #40052 or equal with SG 1.9, 95" diameter, 91" height, with a 2" outlet drain and a 2" fill port installed near the top of each tank. Each tank shall be enclosed in secondary containment in a way that prevents rainfall from entering the containment, which consists of a vertical polyethylene storage tank, SG 1.5, that provides 110% capacity for secondary containment. Valves, bulkhead fittings, nipples, tees, and elbows must be 316 stainless steel unless noted. Containment tanks shall have a 16" lockable manway lid located above the storage tank lid. The containment tanks shall have plumbing from the storage tank thru the containment tank as follows: 2" stainless steel bolted inlet assembly and flexible interconnect, 2" stainless steel bolted gravity drain assembly and flexible interconnect with stainless steel valve. The flexible interconnects shall be ultra high molecular weight polyethylene chemical hose. The containment tanks shall have a 3" poly vent with cap and screen, 2" drain with PVC valve and plug, 3/4" flexible PVC sight gauge off drain with stainless steel tee and valve. A shutoff valve shall be installed at the 2" outlet of each containment tank and the tanks shall be plumbed with 2" schedule 80 pvc to a common outlet, or T, with a shut off valve at the T. 20 feet of 100 psi flexible 2" fill hose shall be attached to the inlets of each tank with a 2" polypropylene quick connect. Containment tanks shall have permanent signage labeling inlet, outlet, containment drain, and overfill warning sign. The successful bidder is responsible for scheduling with DOH for the availability of a DOH provided crane and operator for unloading or assembling at the site. Containment tanks shall have 4 - 2,500 lb. each, lift lugs securely fastened. Price to include delivery, assembly, labor, parts, and materials.</p> <p>Delivery: FOB any designated delivery site within the Division of Highways District 2</p>	\$ 18,398.00

Bid Sheet District 2

Item No.	Quantity	Description	Amount
003	1.00	<p>6,100 gallon heavy duty construction vertical polyethylene storage tank Norwesco Model #40061 or equal with SG 1.9, 119" diameter, 140" height, with a 2" outlet drain and a 2" fill port installed near the top of the tank with 20 feet of 100 psi flexible 2" fill hose with a 2" polypropylene quick connect attached. Price to include delivery, assembly, labor, parts, and materials.</p> <p>Delivery: FOB any designated delivery site within the Division of Highways District 2</p>	\$4558.15
004	1.00	<p>6,100 gallon heavy duty construction vertical polyethylene storage tank Norwesco Model #40061 or equal with SG 1.9, 119" diameter, 140" height, with a 2" outlet drain and a 2" fill port installed near the top of the tank. This tank shall be enclosed in secondary containment in a way that prevents rainfall from entering the containment, which consists of a vertical polyethylene storage tank SG 1.5 that provides 110% capacity for secondary containment. Valves, bulkhead fittings, nipples, tees, and elbows must be 316 stainless steel unless noted. Containment tank shall have a 16" lockable manway lid located above the storage tank lid. The containment tank shall have plumbing from the storage tank thru the containment tank as follows: 2" stainless steel bolted inlet assembly and flexible interconnect, 2" stainless steel bolted gravity drain assembly and flexible interconnect with stainless steel valve. The flexible interconnects shall be ultra high molecular weight polyethylene chemical hose. The containment tank shall have a 3" poly vent with cap and screen, 2" drain with PVC valve and plug, 3/4" flexible PVC sight gauge off drain with stainless steel tee and valve. 20 feet of 100 psi flexible 2" fill hose shall be attached to the inlet of the tank with a 2" polypropylene quick connect. Containment tank shall have permanent signage labeling inlet, outlet, containment drain, and overfill warning sign. The successful bidder is responsible for scheduling with DOH for the availability of a DOH provided crane and operator for unloading and assembling at the site. Containment tank shall have 4 - 2,500 lb. each, lift lugs securely fastened.</p> <p>Delivery: FOB any designated delivery site within the Division of Highways District 2</p>	\$13,589.00

Bid Sheet District 3

Item No.	Quantity	Description	Amount
001	2.00	<p>2,500 gallon heavy duty construction vertical polyethylene storage tank Norwesco Model #40052 or equal with SG 1.9, 95" diameter, 91" height, with a 2" outlet drain and a 2" fill port installed near the top of each tank with 20 feet of 100 psi flexible 2" fill hose with a 2" polypropylene quick connect attached. A shutoff valve shall be installed at the 2" outlet drain of each tank and the tanks shall be plumbed with 2" schedule 80 pvc to a common outlet, or T, with a shut off valve at the T. Price to include delivery, assembly, labor, parts, and materials.</p> <p>Delivery: FOB any designated delivery site within the Division of Highways District 3</p>	<p style="font-size: 24pt;">\$ 4,117.00</p>
002	2.00	<p>2,500 gallon heavy duty construction vertical polyethylene storage tank Norwesco Model #40052 or equal with SG 1.9, 95" diameter, 91" height, with a 2" outlet drain and a 2" fill port installed near the top of each tank. Each tank shall be enclosed in secondary containment in a way that prevents rainfall from entering the containment, which consists of a vertical polyethylene storage tank, SG 1.5, that provides 110% capacity for secondary containment. Valves, bulkhead fittings, nipples, tees, and elbows must be 316 stainless steel unless noted. Containment tanks shall have a 16" lockable manway lid located above the storage tank lid. The containment tanks shall have plumbing from the storage tank thru the containment tank as follows: 2" stainless steel bolted inlet assembly and flexible interconnect, 2" stainless steel bolted gravity drain assembly and flexible interconnect with stainless steel valve. The flexible interconnects shall be ultra high molecular weight polyethylene chemical hose. The containment tanks shall have a 3" poly vent with cap and screen, 2" drain with PVC valve and plug, 3/4" flexible PVC sight gauge off drain with stainless steel tee and valve. A shutoff valve shall be installed at the 2" outlet of each containment tank and the tanks shall be plumbed with 2" schedule 80 pvc to a common outlet, or T, with a shut off valve at the T. 20 feet of 100 psi flexible 2" fill hose shall be attached to the inlets of each tank with a 2" polypropylene quick connect. Containment tanks shall have permanent signage labeling inlet, outlet, containment drain, and overfill warning sign. The successful bidder is responsible for scheduling with DOH for the availability of a DOH provided crane and operator for unloading or assembling at the site. Containment tanks shall have 4 - 2,500 lb. each, lift lugs securely fastened. Price to include delivery, assembly, labor, parts, and materials.</p> <p>Delivery: FOB any designated delivery site within the Division of Highways District 3</p>	<p style="font-size: 24pt;">\$ 18,398.00</p>

Bid Sheet District 3

Item No.	Quantity	Description	Amount
003	1.00	<p>6,100 gallon heavy duty construction vertical polyethylene storage tank Norwesco Model #40061 or equal with SG 1.9, 119" diameter, 140" height, with a 2" outlet drain and a 2" fill port installed near the top of the tank with 20 feet of 100 psi flexible 2" fill hose with a 2" polypropylene quick connect attached. Price to include delivery, assembly, labor, parts, and materials.</p> <p>Delivery: FOB any designated delivery site within the Division of Highways District 3</p>	\$ 4,558.15
004	1.00	<p>6,100 gallon heavy duty construction vertical polyethylene storage tank Norwesco Model #40061 or equal with SG 1.9, 119" diameter, 140" height, with a 2" outlet drain and a 2" fill port installed near the top of the tank. This tank shall be enclosed in secondary containment in a way that prevents rainfall from entering the containment, which consists of a vertical polyethylene storage tank SG 1.5 that provides 110% capacity for secondary containment. Valves, bulkhead fittings, nipples, tees, and elbows must be 316 stainless steel unless noted. Containment tank shall have a 16" lockable manway lid located above the storage tank lid. The containment tank shall have plumbing from the storage tank thru the containment tank as follows: 2" stainless steel bolted inlet assembly and flexible interconnect, 2" stainless steel bolted gravity drain assembly and flexible interconnect with stainless steel valve. The flexible interconnects shall be ultra high molecular weight polyethylene chemical hose. The containment tank shall have a 3" poly vent with cap and screen, 2" drain with PVC valve and plug, 3/4" flexible PVC sight gauge off drain with stainless steel tee and valve. 20 feet of 100 psi flexible 2" fill hose shall be attached to the inlet of the tank with a 2" polypropylene quick connect. Containment tank shall have permanent signage labeling inlet, outlet, containment drain, and overfill warning sign. The successful bidder is responsible for scheduling with DOH for the availability of a DOH provided crane and operator for unloading and assembling at the site. Containment tank shall have 4 - 2,500 lb. each, lift lugs securely fastened.</p> <p>Delivery: FOB any designated delivery site within the Division of Highways District 3</p>	\$ 13,639.00

Bid Sheet District 4

Item No.	Quantity	Description	Amount
001	2.00	<p>2,500 gallon heavy duty construction vertical polyethylene storage tank Norwesco Model #40052 or equal with SG 1.9, 95" diameter, 91" height, with a 2" outlet drain and a 2" fill port installed near the top of each tank with 20 feet of 100 psi flexible 2" fill hose with a 2" polypropylene quick connect attached. A shutoff valve shall be installed at the 2" outlet drain of each tank and the tanks shall be plumbed with 2" schedule 80 pvc to a common outlet, or T, with a shut off valve at the T. Price to include delivery, assembly, labor, parts, and materials.</p> <p>Delivery: FOB any designated delivery site within the Division of Highways District 4</p>	<p>\$ 4,317.00</p>
002	2.00	<p>2,500 gallon heavy duty construction vertical polyethylene storage tank Norwesco Model #40052 or equal with SG 1.9, 95" diameter, 91" height, with a 2" outlet drain and a 2" fill port installed near the top of each tank. Each tank shall be enclosed in secondary containment in a way that prevents rainfall from entering the containment, which consists of a vertical polyethylene storage tank, SG 1.5, that provides 110% capacity for secondary containment. Valves, bulkhead fittings, nipples, tees, and elbows must be 316 stainless steel unless noted. Containment tanks shall have a 16" lockable manway lid located above the storage tank lid. The containment tanks shall have plumbing from the storage tank thru the containment tank as follows: 2" stainless steel bolted inlet assembly and flexible interconnect, 2" stainless steel bolted gravity drain assembly and flexible interconnect with stainless steel valve. The flexible interconnects shall be ultra high molecular weight polyethylene chemical hose. The containment tanks shall have a 3" poly vent with cap and screen, 2" drain with PVC valve and plug, 3/4" flexible PVC sight gauge off drain with stainless steel tee and valve. A shutoff valve shall be installed at the 2" outlet of each containment tank and the tanks shall be plumbed with 2" schedule 80 pvc to a common outlet, or T, with a shut off valve at the T. 20 feet of 100 psi flexible 2" fill hose shall be attached to the inlets of each tank with a 2" polypropylene quick connect. Containment tanks shall have permanent signage labeling inlet, outlet, containment drain, and overfill warning sign. The successful bidder is responsible for scheduling with DOH for the availability of a DOH provided crane and operator for unloading or assembling at the site. Containment tanks shall have 4 - 2,500 lb. each, lift lugs securely fastened. Price to include delivery, assembly, labor, parts, and materials.</p> <p>Delivery: FOB any designated delivery site within the Division of Highways District 4</p>	<p>\$ 18,548.00</p>

Bid Sheet District 4

Item No.	Quantity	Description	Amount
003	1.00	<p>6,100 gallon heavy duty construction vertical polyethylene storage tank Norwesco Model #40061 or equal with SG 1.9, 119" diameter, 140" height, with a 2" outlet drain and a 2" fill port installed near the top of the tank with 20 feet of 100 psi flexible 2" fill hose with a 2" polypropylene quick connect attached. Price to include delivery, assembly, labor, parts, and materials.</p> <p>Delivery: FOB any designated delivery site within the Division of Highways District 4</p>	<p># 4,758.15</p>
004	1.00	<p>6,100 gallon heavy duty construction vertical polyethylene storage tank Norwesco Model #40061 or equal with SG 1.9, 119" diameter, 140" height, with a 2" outlet drain and a 2" fill port installed near the top of the tank. This tank shall be enclosed in secondary containment in a way that prevents rainfall from entering the containment, which consists of a vertical polyethylene storage tank SG 1.5 that provides 110% capacity for secondary containment. Valves, bulkhead fittings, nipples, tees, and elbows must be 316 stainless steel unless noted. Containment tank shall have a 16" lockable manway lid located above the storage tank lid. The containment tank shall have plumbing from the storage tank thru the containment tank as follows: 2" stainless steel bolted inlet assembly and flexible interconnect, 2" stainless steel bolted gravity drain assembly and flexible interconnect with stainless steel valve. The flexible interconnects shall be ultra high molecular weight polyethylene chemical hose. The containment tank shall have a 3" poly vent with cap and screen, 2" drain with PVC valve and plug, 3/4" flexible PVC sight gauge off drain with stainless steel tee and valve. 20 feet of 100 psi flexible 2" fill hose shall be attached to the inlet of the tank with a 2" polypropylene quick connect. Containment tank shall have permanent signage labeling inlet, outlet, containment drain, and overflow warning sign. The successful bidder is responsible for scheduling with DOH for the availability of a DOH provided crane and operator for unloading and assembling at the site. Containment tank shall have 4 - 2,500 lb. each, lift lugs securely fastened.</p> <p>Delivery: FOB any designated delivery site within the Division of Highways District 4</p>	<p># 13,714.00</p>

Bid Sheet District 5

Item No.	Quantity	Description	Amount
001	2.00	<p>2,500 gallon heavy duty construction vertical polyethylene storage tank Norwesco Model #40052 or equal with SG 1.9, 95" diameter, 91" height, with a 2" outlet drain and a 2" fill port installed near the top of each tank with 20 feet of 100 psi flexible 2" fill hose with a 2" polypropylene quick connect attached. A shutoff valve shall be installed at the 2" outlet drain of each tank and the tanks shall be plumbed with 2" schedule 80 pvc to a common outlet, or T, with a shut off valve at the T. Price to include delivery, assembly, labor, parts, and materials.</p> <p>Delivery: FOB any designated delivery site within the Division of Highways District 5</p>	\$ 4317.00
002	2.00	<p>2,500 gallon heavy duty construction vertical polyethylene storage tank Norwesco Model #40052 or equal with SG 1.9, 95" diameter, 91" height, with a 2" outlet drain and a 2" fill port installed near the top of each tank. Each tank shall be enclosed in secondary containment in a way that prevents rainfall from entering the containment, which consists of a vertical polyethylene storage tank, SG 1.5, that provides 110% capacity for secondary containment. Valves, bulkhead fittings, nipples, tees, and elbows must be 316 stainless steel unless noted. Containment tanks shall have a 16" lockable manway lid located above the storage tank lid. The containment tanks shall have plumbing from the storage tank thru the containment tank as follows: 2" stainless steel bolted inlet assembly and flexible interconnect, 2" stainless steel bolted gravity drain assembly and flexible interconnect with stainless steel valve. The flexible interconnects shall be ultra high molecular weight polyethylene chemical hose. The containment tanks shall have a 3" poly vent with cap and screen, 2" drain with PVC valve and plug, 3/4" flexible PVC sight gauge off drain with stainless steel tee and valve. A shutoff valve shall be installed at the 2" outlet of each containment tank and the tanks shall be plumbed with 2" schedule 80 pvc to a common outlet, or T, with a shut off valve at the T. 20 feet of 100 psi flexible 2" fill hose shall be attached to the inlets of each tank with a 2" polypropylene quick connect. Containment tanks shall have permanent signage labeling inlet, outlet, containment drain, and overfill warning sign. The successful bidder is responsible for scheduling with DOH for the availability of a DOH provided crane and operator for unloading or assembling at the site. Containment tanks shall have 4 - 2,500 lb. each, lift lugs securely fastened. Price to include delivery, assembly, labor, parts, and materials.</p> <p>Delivery: FOB any designated delivery site within the Division of Highways District 5</p>	\$ 18,548.00

Bid Sheet District 5

Item No.	Quantity	Description	Amount
003	1.00	<p>6,100 gallon heavy duty construction vertical polyethylene storage tank Norwesco Model #40061 or equal with SG 1.9, 119" diameter, 140" height, with a 2" outlet drain and a 2" fill port installed near the top of the tank with 20 feet of 100 psi flexible 2" fill hose with a 2" polypropylene quick connect attached. Price to include delivery, assembly, labor, parts, and materials.</p> <p>Delivery: FOB any designated delivery site within the Division of Highways District 5</p>	\$ 4,758.15
004	1.00	<p>6,100 gallon heavy duty construction vertical polyethylene storage tank Norwesco Model #40061 or equal with SG 1.9, 119" diameter, 140" height, with a 2" outlet drain and a 2" fill port installed near the top of the tank. This tank shall be enclosed in secondary containment in a way that prevents rainfall from entering the containment, which consists of a vertical polyethylene storage tank SG 1.5 that provides 110% capacity for secondary containment. Valves, bulkhead fittings, nipples, tees, and elbows must be 316 stainless steel unless noted. Containment tank shall have a 16" lockable manway lid located above the storage tank lid. The containment tank shall have plumbing from the storage tank thru the containment tank as follows: 2" stainless steel bolted inlet assembly and flexible interconnect, 2" stainless steel bolted gravity drain assembly and flexible interconnect with stainless steel valve. The flexible interconnects shall be ultra high molecular weight polyethylene chemical hose. The containment tank shall have a 3" poly vent with cap and screen, 2" drain with PVC valve and plug, 3/4" flexible PVC sight gauge off drain with stainless steel tee and valve. 20 feet of 100 psi flexible 2" fill hose shall be attached to the inlet of the tank with a 2" polypropylene quick connect. Containment tank shall have permanent signage labeling inlet, outlet, containment drain, and overfill warning sign. The successful bidder is responsible for scheduling with DOH for the availability of a DOH provided crane and operator for unloading and assembling at the site. Containment tank shall have 4 - 2,500 lb. each, lift lugs securely fastened.</p> <p>Delivery: FOB any designated delivery site within the Division of Highways District 5</p>	\$ 13,714.00

Bid Sheet District 6

Item No.	Quantity	Description	Amount
001	2.00	<p>2,500 gallon heavy duty construction vertical polyethylene storage tank Norwesco Model #40052 or equal with SG 1.9, 95" diameter, 91" height, with a 2" outlet drain and a 2" fill port installed near the top of each tank with 20 feet of 100 psi flexible 2" fill hose with a 2" polypropylene quick connect attached. A shutoff valve shall be installed at the 2" outlet drain of each tank and the tanks shall be plumbed with 2" schedule 80 pvc to a common outlet, or T, with a shut off valve at the T. Price to include delivery, assembly, labor, parts, and materials.</p> <p>Delivery: FOB any designated delivery site within the Division of Highways District 6</p>	\$ 4317.00
002	2.00	<p>2,500 gallon heavy duty construction vertical polyethylene storage tank Norwesco Model #40052 or equal with SG 1.9, 95" diameter, 91" height, with a 2" outlet drain and a 2" fill port installed near the top of each tank. Each tank shall be enclosed in secondary containment in a way that prevents rainfall from entering the containment, which consists of a vertical polyethylene storage tank, SG 1.5, that provides 110% capacity for secondary containment. Valves, bulkhead fittings, nipples, tees, and elbows must be 316 stainless steel unless noted. Containment tanks shall have a 16" lockable manway lid located above the storage tank lid. The containment tanks shall have plumbing from the storage tank thru the containment tank as follows: 2" stainless steel bolted inlet assembly and flexible interconnect, 2" stainless steel bolted gravity drain assembly and flexible interconnect with stainless steel valve. The flexible interconnects shall be ultra high molecular weight polyethylene chemical hose. The containment tanks shall have a 3" poly vent with cap and screen, 2" drain with PVC valve and plug, 3/4" flexible PVC sight gauge off drain with stainless steel tee and valve. A shutoff valve shall be installed at the 2" outlet of each containment tank and the tanks shall be plumbed with 2" schedule 80 pvc to a common outlet, or T, with a shut off valve at the T. 20 feet of 100 psi flexible 2" fill hose shall be attached to the inlets of each tank with a 2" polypropylene quick connect. Containment tanks shall have permanent signage labeling inlet, outlet, containment drain, and overflow warning sign. The successful bidder is responsible for scheduling with DOH for the availability of a DOH provided crane and operator for unloading or assembling at the site. Containment tanks shall have 4 - 2,500 lb. each, lift lugs securely fastened. Price to include delivery, assembly, labor, parts, and materials.</p> <p>Delivery: FOB any designated delivery site within the Division of Highways District 6</p>	\$ 18,548.00

Bid Sheet District 6

Item No.	Quantity	Description	Amount
003	1.00	<p>6,100 gallon heavy duty construction vertical polyethylene storage tank Norwesco Model #40061 or equal with SG 1.9, 119" diameter, 140" height, with a 2" outlet drain and a 2" fill port installed near the top of the tank with 20 feet of 100 psi flexible 2" fill hose with a 2" polypropylene quick connect attached. Price to include delivery, assembly, labor, parts, and materials.</p> <p>Delivery: FOB any designated delivery site within the Division of Highways District 6</p>	\$4758.15
004	1.00	<p>6,100 gallon heavy duty construction vertical polyethylene storage tank Norwesco Model #40061 or equal with SG 1.9, 119" diameter, 140" height, with a 2" outlet drain and a 2" fill port installed near the top of the tank. This tank shall be enclosed in secondary containment in a way that prevents rainfall from entering the containment, which consists of a vertical polyethylene storage tank SG 1.5 that provides 110% capacity for secondary containment. Valves, bulkhead fittings, nipples, tees, and elbows must be 316 stainless steel unless noted. Containment tank shall have a 16" lockable manway lid located above the storage tank lid. The containment tank shall have plumbing from the storage tank thru the containment tank as follows: 2" stainless steel bolted inlet assembly and flexible interconnect, 2" stainless steel bolted gravity drain assembly and flexible interconnect with stainless steel valve. The flexible interconnects shall be ultra high molecular weight polyethylene chemical hose. The containment tank shall have a 3" poly vent with cap and screen, 2" drain with PVC valve and plug, 3/4" flexible PVC sight gauge off drain with stainless steel tee and valve. 20 feet of 100 psi flexible 2" fill hose shall be attached to the inlet of the tank with a 2" polypropylene quick connect. Containment tank shall have permanent signage labeling inlet, outlet, containment drain, and overfill warning sign. The successful bidder is responsible for scheduling with DOH for the availability of a DOH provided crane and operator for unloading and assembling at the site. Containment tank shall have 4 - 2,500 lb. each, lift lugs securely fastened.</p> <p>Delivery: FOB any designated delivery site within the Division of Highways District 6</p>	\$13,714.00

Bid Sheet District 7

Item No.	Quantity	Description	Amount
001	2.00	<p>2,500 gallon heavy duty construction vertical polyethylene storage tank Norwesco Model #40052 or equal with SG 1.9, 95" diameter, 91" height, with a 2" outlet drain and a 2" fill port installed near the top of each tank with 20 feet of 100 psi flexible 2" fill hose with a 2" polypropylene quick connect attached. A shutoff valve shall be installed at the 2" outlet drain of each tank and the tanks shall be plumbed with 2" schedule 80 pvc to a common outlet, or T, with a shut off valve at the T. Price to include delivery, assembly, labor, parts, and materials.</p> <p>Delivery: FOB any designated delivery site within the Division of Highways District 7</p>	\$ 4,117.00
002	2.00	<p>2,500 gallon heavy duty construction vertical polyethylene storage tank Norwesco Model #40052 or equal with SG 1.9, 95" diameter, 91" height, with a 2" outlet drain and a 2" fill port installed near the top of each tank. Each tank shall be enclosed in secondary containment in a way that prevents rainfall from entering the containment, which consists of a vertical polyethylene storage tank, SG 1.5, that provides 110% capacity for secondary containment. Valves, bulkhead fittings, nipples, tees, and elbows must be 316 stainless steel unless noted. Containment tanks shall have a 16" lockable manway lid located above the storage tank lid. The containment tanks shall have plumbing from the storage tank thru the containment tank as follows: 2" stainless steel bolted inlet assembly and flexible interconnect, 2" stainless steel bolted gravity drain assembly and flexible interconnect with stainless steel valve. The flexible interconnects shall be ultra high molecular weight polyethylene chemical hose. The containment tanks shall have a 3" poly vent with cap and screen, 2" drain with PVC valve and plug, 3/4" flexible PVC sight gauge off drain with stainless steel tee and valve. A shutoff valve shall be installed at the 2" outlet of each containment tank and the tanks shall be plumbed with 2" schedule 80 pvc to a common outlet, or T, with a shut off valve at the T. 20 feet of 100 psi flexible 2" fill hose shall be attached to the inlets of each tank with a 2" polypropylene quick connect. Containment tanks shall have permanent signage labeling inlet, outlet, containment drain, and overfill warning sign. The successful bidder is responsible for scheduling with DOH for the availability of a DOH provided crane and operator for unloading or assembling at the site. Containment tanks shall have 4 - 2,500 lb. each, lift lugs securely fastened. Price to include delivery, assembly, labor, parts, and materials.</p> <p>Delivery: FOB any designated delivery site within the Division of Highways District 7</p>	\$ 18,398.00

Bid Sheet District 7

Item No.	Quantity	Description	Amount
003	1.00	<p>6,100 gallon heavy duty construction vertical polyethylene storage tank Norwesco Model #40061 or equal with SG 1.9, 119" diameter, 140" height, with a 2" outlet drain and a 2" fill port installed near the top of the tank with 20 feet of 100 psi flexible 2" fill hose with a 2" polypropylene quick connect attached. Price to include delivery, assembly, labor, parts, and materials.</p> <p>Delivery: FOB any designated delivery site within the Division of Highways District 7</p>	\$4,658.15
004	1.00	<p>6,100 gallon heavy duty construction vertical polyethylene storage tank Norwesco Model #40061 or equal with SG 1.9, 119" diameter, 140" height, with a 2" outlet drain and a 2" fill port installed near the top of the tank. This tank shall be enclosed in secondary containment in a way that prevents rainfall from entering the containment, which consists of a vertical polyethylene storage tank SG 1.5 that provides 110% capacity for secondary containment. Valves, bulkhead fittings, nipples, tees, and elbows must be 316 stainless steel unless noted. Containment tank shall have a 16" lockable manway lid located above the storage tank lid. The containment tank shall have plumbing from the storage tank thru the containment tank as follows: 2" stainless steel bolted inlet assembly and flexible interconnect, 2" stainless steel bolted gravity drain assembly and flexible interconnect with stainless steel valve. The flexible interconnects shall be ultra high molecular weight polyethylene chemical hose. The containment tank shall have a 3" poly vent with cap and screen, 2" drain with PVC valve and plug, 3/4" flexible PVC sight gauge off drain with stainless steel tee and valve. 20 feet of 100 psi flexible 2" fill hose shall be attached to the inlet of the tank with a 2" polypropylene quick connect. Containment tank shall have permanent signage labeling inlet, outlet, containment drain, and overflow warning sign. The successful bidder is responsible for scheduling with DOH for the availability of a DOH provided crane and operator for unloading and assembling at the site. Containment tank shall have 4 - 2,500 lb. each, lift lugs securely fastened.</p> <p>Delivery: FOB any designated delivery site within the Division of Highways District 7</p>	\$13,639.00

Bid Sheet District 8

Item No.	Quantity	Description	Amount
001	2.00	<p>2,500 gallon heavy duty construction vertical polyethylene storage tank Norwesco Model #40052 or equal with SG 1.9, 95" diameter, 91" height, with a 2" outlet drain and a 2" fill port installed near the top of each tank with 20 feet of 100 psi flexible 2" fill hose with a 2" polypropylene quick connect attached. A shutoff valve shall be installed at the 2" outlet drain of each tank and the tanks shall be plumbed with 2" schedule 80 pvc to a common outlet, or T, with a shut off valve at the T. Price to include delivery, assembly, labor, parts, and materials.</p> <p>Delivery: FOB any designated delivery site within the Division of Highways District 8</p>	\$42,170.00
002	2.00	<p>2,500 gallon heavy duty construction vertical polyethylene storage tank Norwesco Model #40052 or equal with SG 1.9, 95" diameter, 91" height, with a 2" outlet drain and a 2" fill port installed near the top of each tank. Each tank shall be enclosed in secondary containment in a way that prevents rainfall from entering the containment, which consists of a vertical polyethylene storage tank, SG 1.5, that provides 110% capacity for secondary containment. Valves, bulkhead fittings, nipples, tees, and elbows must be 316 stainless steel unless noted. Containment tanks shall have a 16" lockable manway lid located above the storage tank lid. The containment tanks shall have plumbing from the storage tank thru the containment tank as follows: 2" stainless steel bolted inlet assembly and flexible interconnect, 2" stainless steel bolted gravity drain assembly and flexible interconnect with stainless steel valve. The flexible interconnects shall be ultra high molecular weight polyethylene chemical hose. The containment tanks shall have a 3" poly vent with cap and screen, 2" drain with PVC valve and plug, 3/4" flexible PVC sight gauge off drain with stainless steel tee and valve. A shutoff valve shall be installed at the 2" outlet of each containment tank and the tanks shall be plumbed with 2" schedule 80 pvc to a common outlet, or T, with a shut off valve at the T. 20 feet of 100 psi flexible 2" fill hose shall be attached to the inlets of each tank with a 2" polypropylene quick connect. Containment tanks shall have permanent signage labeling inlet, outlet, containment drain, and overflow warning sign. The successful bidder is responsible for scheduling with DOH for the availability of a DOH provided crane and operator for unloading or assembling at the site. Containment tanks shall have 4 - 2,500 lb. each, lift lugs securely fastened. Price to include delivery, assembly, labor, parts, and materials.</p> <p>Delivery: FOB any designated delivery site within the Division of Highways District 8</p>	\$18,498.00

Bid Sheet District 8

Item No.	Quantity	Description	Amount
003	1.00	<p>6,100 gallon heavy duty construction vertical polyethylene storage tank Norwesco Model #40061 or equal with SG 1.9, 119" diameter, 140" height, with a 2" outlet drain and a 2" fill port installed near the top of the tank with 20 feet of 100 psi flexible 2" fill hose with a 2" polypropylene quick connect attached. Price to include delivery, assembly, labor, parts, and materials.</p> <p>Delivery: FOB any designated delivery site within the Division of Highways District 8</p>	\$ 4,658.15
004	1.00	<p>6,100 gallon heavy duty construction vertical polyethylene storage tank Norwesco Model #40061 or equal with SG 1.9, 119" diameter, 140" height, with a 2" outlet drain and a 2" fill port installed near the top of the tank. This tank shall be enclosed in secondary containment in a way that prevents rainfall from entering the containment, which consists of a vertical polyethylene storage tank SG 1.5 that provides 110% capacity for secondary containment. Valves, bulkhead fittings, nipples, tees, and elbows must be 316 stainless steel unless noted. Containment tank shall have a 16" lockable manway lid located above the storage tank lid. The containment tank shall have plumbing from the storage tank thru the containment tank as follows: 2" stainless steel bolted inlet assembly and flexible interconnect, 2" stainless steel bolted gravity drain assembly and flexible interconnect with stainless steel valve. The flexible interconnects shall be ultra high molecular weight polyethylene chemical hose. The containment tank shall have a 3" poly vent with cap and screen, 2" drain with PVC valve and plug, 3/4" flexible PVC sight gauge off drain with stainless steel tee and valve. 20 feet of 100 psi flexible 2" fill hose shall be attached to the inlet of the tank with a 2" polypropylene quick connect. Containment tank shall have permanent signage labeling inlet, outlet, containment drain, and overfill warning sign. The successful bidder is responsible for scheduling with DOH for the availability of a DOH provided crane and operator for unloading and assembling at the site. Containment tank shall have 4 - 2,500 lb. each, lift lugs securely fastened.</p> <p>Delivery: FOB any designated delivery site within the Division of Highways District 8</p>	\$ 13,639.00

Bid Sheet District 9

Item No.	Quantity	Description	Amount
001	2.00	<p>2,500 gallon heavy duty construction vertical polyethylene storage tank Norwesco Model #40052 or equal with SG 1.9, 95" diameter, 91" height, with a 2" outlet drain and a 2" fill port installed near the top of each tank with 20 feet of 100 psi flexible 2" fill hose with a 2" polypropylene quick connect attached. A shutoff valve shall be installed at the 2" outlet drain of each tank and the tanks shall be plumbed with 2" schedule 80 pvc to a common outlet, or T, with a shut off valve at the T. Price to include delivery, assembly, labor, parts, and materials.</p> <p>Delivery: FOB any designated delivery site within the Division of Highways District 9</p>	4117.00
002	2.00	<p>2,500 gallon heavy duty construction vertical polyethylene storage tank Norwesco Model #40052 or equal with SG 1.9, 95" diameter, 91" height, with a 2" outlet drain and a 2" fill port installed near the top of each tank. Each tank shall be enclosed in secondary containment in a way that prevents rainfall from entering the containment, which consists of a vertical polyethylene storage tank, SG 1.5, that provides 110% capacity for secondary containment. Valves, bulkhead fittings, nipples, tees, and elbows must be 316 stainless steel unless noted. Containment tanks shall have a 16" lockable manway lid located above the storage tank lid. The containment tanks shall have plumbing from the storage tank thru the containment tank as follows: 2" stainless steel bolted inlet assembly and flexible interconnect, 2" stainless steel bolted gravity drain assembly and flexible interconnect with stainless steel valve. The flexible interconnects shall be ultra high molecular weight polyethylene chemical hose. The containment tanks shall have a 3" poly vent with cap and screen, 2" drain with PVC valve and plug, 3/4" flexible PVC sight gauge off drain with stainless steel tee and valve. A shutoff valve shall be installed at the 2" outlet of each containment tank and the tanks shall be plumbed with 2" schedule 80 pvc to a common outlet, or T, with a shut off valve at the T. 20 feet of 100 psi flexible 2" fill hose shall be attached to the inlets of each tank with a 2" polypropylene quick connect. Containment tanks shall have permanent signage labeling inlet, outlet, containment drain, and overfill warning sign. The successful bidder is responsible for scheduling with DOH for the availability of a DOH provided crane and operator for unloading or assembling at the site. Containment tanks shall have 4 - 2,500 lb. each, lift lugs securely fastened. Price to include delivery, assembly, labor, parts, and materials.</p> <p>Delivery: FOB any designated delivery site within the Division of Highways District 9</p>	\$18,398.00

Bid Sheet District 9

Item No.	Quantity	Description	Amount
003	1.00	<p>6,100 gallon heavy duty construction vertical polyethylene storage tank Norwesco Model #40061 or equal with SG 1.9, 119" diameter, 140" height, with a 2" outlet drain and a 2" fill port installed near the top of the tank with 20 feet of 100 psi flexible 2" fill hose with a 2" polypropylene quick connect attached. Price to include delivery, assembly, labor, parts, and materials.</p> <p>Delivery: FOB any designated delivery site within the Division of Highways District 9</p>	\$4658.15
004	1.00	<p>6,100 gallon heavy duty construction vertical polyethylene storage tank Norwesco Model #40061 or equal with SG 1.9, 119" diameter, 140" height, with a 2" outlet drain and a 2" fill port installed near the top of the tank. This tank shall be enclosed in secondary containment in a way that prevents rainfall from entering the containment, which consists of a vertical polyethylene storage tank SG 1.5 that provides 110% capacity for secondary containment. Valves, bulkhead fittings, nipples, tees, and elbows must be 316 stainless steel unless noted. Containment tank shall have a 16" lockable manway lid located above the storage tank lid. The containment tank shall have plumbing from the storage tank thru the containment tank as follows: 2" stainless steel bolted inlet assembly and flexible interconnect, 2" stainless steel bolted gravity drain assembly and flexible interconnect with stainless steel valve. The flexible interconnects shall be ultra high molecular weight polyethylene chemical hose. The containment tank shall have a 3" poly vent with cap and screen, 2" drain with PVC valve and plug, 3/4" flexible PVC sight gauge off drain with stainless steel tee and valve. 20 feet of 100 psi flexible 2" fill hose shall be attached to the inlet of the tank with a 2" polypropylene quick connect. Containment tank shall have permanent signage labeling inlet, outlet, containment drain, and overflow warning sign. The successful bidder is responsible for scheduling with DOH for the availability of a DOH provided crane and operator for unloading and assembling at the site. Containment tank shall have 4 - 2,500 lb. each, lift lugs securely fastened.</p> <p>Delivery: FOB any designated delivery site within the Division of Highways District 9</p>	\$13,639.00

Bid Sheet District 10

Item No.	Quantity	Description	Amount
001	2.00	<p>2,500 gallon heavy duty construction vertical polyethylene storage tank Norwesco Model #40052 or equal with SG 1.9, 95" diameter, 91" height, with a 2" outlet drain and a 2" fill port installed near the top of each tank with 20 feet of 100 psi flexible 2" fill hose with a 2" polypropylene quick connect attached. A shutoff valve shall be installed at the 2" outlet drain of each tank and the tanks shall be plumbed with 2" schedule 80 pvc to a common outlet, or T, with a shut off valve at the T. Price to include delivery, assembly, labor, parts, and materials.</p> <p>Delivery: FOB any designated delivery site within the Division of Highways District 10</p>	\$ 4,117.00
002	2.00	<p>2,500 gallon heavy duty construction vertical polyethylene storage tank Norwesco Model #40052 or equal with SG 1.9, 95" diameter, 91" height, with a 2" outlet drain and a 2" fill port installed near the top of each tank. Each tank shall be enclosed in secondary containment in a way that prevents rainfall from entering the containment, which consists of a vertical polyethylene storage tank, SG 1.5, that provides 110% capacity for secondary containment. Valves, bulkhead fittings, nipples, tees, and elbows must be 316 stainless steel unless noted. Containment tanks shall have a 16" lockable manway lid located above the storage tank lid. The containment tanks shall have plumbing from the storage tank thru the containment tank as follows: 2" stainless steel bolted inlet assembly and flexible interconnect, 2" stainless steel bolted gravity drain assembly and flexible interconnect with stainless steel valve. The flexible interconnects shall be ultra high molecular weight polyethylene chemical hose. The containment tanks shall have a 3" poly vent with cap and screen, 2" drain with PVC valve and plug, 3/4" flexible PVC sight gauge off drain with stainless steel tee and valve. A shutoff valve shall be installed at the 2" outlet of each containment tank and the tanks shall be plumbed with 2" schedule 80 pvc to a common outlet, or T, with a shut off valve at the T. 20 feet of 100 psi flexible 2" fill hose shall be attached to the inlets of each tank with a 2" polypropylene quick connect. Containment tanks shall have permanent signage labeling inlet, outlet, containment drain, and overfill warning sign. The successful bidder is responsible for scheduling with DOH for the availability of a DOH provided crane and operator for unloading or assembling at the site. Containment tanks shall have 4 - 2,500 lb. each, lift lugs securely fastened. Price to include delivery, assembly, labor, parts, and materials.</p> <p>Delivery: FOB any designated delivery site within the Division of Highways District 10</p>	\$ 18,298.00

Bid Sheet District 10

Item No.	Quantity	Description	Amount
003	1.00	<p>6,100 gallon heavy duty construction vertical polyethylene storage tank Norwesco Model #40061 or equal with SG 1.9, 119" diameter, 140" height, with a 2" outlet drain and a 2" fill port installed near the top of the tank with 20 feet of 100 psi flexible 2" fill hose with a 2" polypropylene quick connect attached. Price to include delivery, assembly, labor, parts, and materials.</p> <p>Delivery: FOB any designated delivery site within the Division of Highways District 10</p>	\$4658.15
004	1.00	<p>6,100 gallon heavy duty construction vertical polyethylene storage tank Norwesco Model #40061 or equal with SG 1.9, 119" diameter, 140" height, with a 2" outlet drain and a 2" fill port installed near the top of the tank. This tank shall be enclosed in secondary containment in a way that prevents rainfall from entering the containment, which consists of a vertical polyethylene storage tank SG 1.5 that provides 110% capacity for secondary containment. Valves, bulkhead fittings, nipples, tees, and elbows must be 316 stainless steel unless noted. Containment tank shall have a 16" lockable manway lid located above the storage tank lid. The containment tank shall have plumbing from the storage tank thru the containment tank as follows: 2" stainless steel bolted inlet assembly and flexible interconnect, 2" stainless steel bolted gravity drain assembly and flexible interconnect with stainless steel valve. The flexible interconnects shall be ultra high molecular weight polyethylene chemical hose. The containment tank shall have a 3" poly vent with cap and screen, 2" drain with PVC valve and plug, 3/4" flexible PVC sight gauge off drain with stainless steel tee and valve. 20 feet of 100 psi flexible 2" fill hose shall be attached to the inlet of the tank with a 2" polypropylene quick connect. Containment tank shall have permanent signage labeling inlet, outlet, containment drain, and overfill warning sign. The successful bidder is responsible for scheduling with DOH for the availability of a DOH provided crane and operator for unloading and assembling at the site. Containment tank shall have 4 - 2,500-lb. each, lift lugs securely fastened.</p> <p>Delivery: FOB any designated delivery site within the Division of Highways District 10</p>	\$13,589.00



State of West Virginia
 Department of Administration
 Purchasing Division
 2019 Washington Street East
 Post Office Box 50130
 Charleston, WV 25305-0130

Request for Quotation

RFQ NUMBER
 6610C012

PAGE
 1

ADDRESS CORRESPONDENCE TO ATTENTION OF
 MICHAEL AUSTIN
 304-558-2402

VENDOR

*A27153509 800-345-3546
 GVM INC
 PO BOX 358
 BIGLERVILLE PA 17307

SHIP TO

DIVISION OF HIGHWAYS
 VARIOUS LOCALES AS INDICATED
 BY ORDER

DATE PRINTED	TERMS OF SALE	SHIP VIA	F.O.B.	FREIGHT TERMS
12/29/2009				

BID OPENING DATE: 01/06/2010 BID OPENING TIME 01:30PM

LINE	QUANTITY	UOP	CAT NO	ITEM NUMBER	UNIT PRICE	AMOUNT
				ADDENDUM NO.2		
				TO ADD WAGE RATES:		
				WAGE RATES: THE CONTRACTOR OR SUBCONTRACTOR SHALL PAY THE HIGHER OF THE U.S. DEPARTMENT OF LABOR MINIMUM WAGE RATES AS ESTABLISHED FOR VARIOUS COUNTIES , PURSUANT TO WEST VIRGINIA CODE 21-5A, ET, SEQ.		
				BID OPENING DATE AND TIME REMAINS THE SAME.		
				NO OTHER CHANGES		
0001	1	EA		BRINE STORAGE TANKS		
				***** THIS IS THE END OF RFQ 6610C012 ***** TOTAL:		

SEE REVERSE SIDE FOR TERMS AND CONDITIONS

SIGNATURE Thomas Bai TELEPHONE 800-458-5123 DATE 1/4/2010

TITLE Vice President FEIN 232065809 ADDRESS CHANGES TO BE NOTED ABOVE

WHEN RESPONDING TO RFQ, INSERT NAME AND ADDRESS IN SPACE ABOVE LABELED 'VENDOR'



Snow Equipment Sales, Inc.

To: MICHAEL AUSTIN

From: THOMAS BOIN

DATE: January 4, 2010

Topic: RFP 6610C012

THE TANK MANUFACTURER THAT MAKES OUR DOUBLE WALLED TANKS IS
POLY PROCESSING. THE 6100 HEAVY DUTY DOUBLE WALLED TANK THAT WE
QUOTED HAS A CAPACITY OF 6650 GALLONS - 550 GALLONS MORE THAN
YOUR SPECIFICATION. WE NEED TO EXCEED YOUR SPECIFICATION FOR
ALL TANKS. DRAWINGS OF TANKS ATTACHED

Thank you

Tom



POLYPROCESSING
COMPANY
Providing Solutions Through Innovation

SAFE-TANK[®] Systems

Specifically recommended for:

- Sulfuric Acid
- Hydrochloric Acid
- Hydrofluosilicic Acid



**Double-Wall
Containment
"Tank within
a Tank"**

[SAFE-TANK Systems](#)

[SAFE-TANK Fittings & Accessories](#)

Specify HDXLPE poly tanks with OR-1000 for increased chemical resistance and tank longevity.

CAD Drawings can be found under the "Chemical Storage" menu.

P

V
C
V
S

	Drawings	Gallon per inch Charts	F.O.B.			Stock Number	Nominal Capacity	Approx. O.D.	Approx. Overall Height	Lid Size	Ladder Height	Tank Weight
			LA	VA	CA							
	<u>Rev B</u>	<u>Chart</u>	4			2008700					2800	
	<u>Rev A</u>		4			2110150					2600	
◆ ▲	<u>Rev C</u>					Assembly	8700	11'-11"	14'-6"	24"	14'	5400
	<u>Rev B</u>	<u>Chart</u>	4			2006650					2300	
	<u>Rev C</u>		4			2107450					2100	
◆ ▲	<u>Rev E</u>					Assembly	6650	10'-2"	14'-3"	24"	14'	4400
	<u>Rev A</u>	<u>Chart</u>		1		2006650					2100	
	<u>Rev A</u>			1		2107450					2100	
◆ ▲	<u>Rev B</u>					Assembly	6650	10'-2"	14'-3"	24"	14'	4200
	<u>Rev B</u>	<u>Chart</u>	4			2005400					1400	
	<u>Rev A</u>		4			2106300					1350	
◆ ▲	<u>Rev D</u>					Assembly	5400	11'-11"	9'-9"	24"	10'	2750
	<u>Rev A</u>	<u>Chart</u>	7			2004400					1050	
	<u>Rev B</u>		7			2104950					1200	
◆ ▲	<u>Rev C</u>					Assembly	4400	10'-3"	10'-3"	24"	10'	2250
	<u>Rev A</u>	<u>Chart</u>		1		2004400					1225	
	<u>Rev A</u>			1		2104950					900	
◆ ▲	<u>Rev B</u>					Assembly	4400	10'-3"	10'-3"	24"	10'	2125
	<u>Rev B</u>	<u>Chart</u>	4			2003150					980	
	<u>Rev B</u>		4			2103550					980	
◆ ▲	<u>Rev C</u>					Assembly	3150	10'-2"	7'-7"	24"	7'	1960
	<u>Rev B</u>	<u>Chart</u>	4			2002500					650	
	<u>Rev --</u>		4			2103100					650	
◆ ▲	<u>Rev B</u>					Assembly	2500	8'-0"	9'-11"	17"	10'	1300
	<u>Rev B</u>	<u>Chart</u>	7			2001550					400	
	<u>Rev B</u>		7			2101950					400	
◆	<u>Rev C</u>					Assembly	1550	8'-0"	6'-11"	17"	7'	800
	<u>Rev A</u>	<u>Chart</u>		1		2001000					250	
	<u>Rev B</u>			1		2101200					240	
◆	<u>Rev C</u>					Assembly	1000	6'-5"	6'-7"	17"	6'	490
	<u>Rev A</u>	<u>Chart</u>	7			2001000					250	
	<u>Rev A</u>		7			2101200					250	
◆	<u>Rev B</u>					Assembly	1000	6'-5"	6'-7"	17"	6'	500
	<u>Rev B</u>	<u>Chart</u>	4			2000540					185	

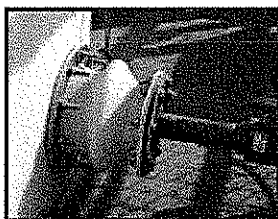
◆	Rev B		4		2100655				180	
	Rev C				Assembly	540	6'-5"	4'-0"	17"	360
	Rev D	Chart	7	1	2000405				140	
			7	1	2100445				140	
					Assembly	405	4'-0"	5'-9"	7"	280
	Rev C	Chart	4	7	1	2000160			75	
			4	7	1	2100220			75	
					Assembly	160	3'-0"	4'-11"	7"	150
	Rev C	Chart	4	7	1	2000105			50	
			4	7	1	2100150			50	
					Assembly	105	3'-0"	3'-6"	7"	100
	Rev C	Chart	4		2000055				40	
			4		2100085				40	
					Assembly	55	3'-0"	2'-5"	7"	80

◆ = Molded-in Lifting Lugs; V = Molded-in Lifting Lugs - Virginia Only

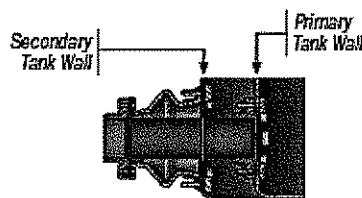
▲ = Molded-in Ladder Lugs; V = Molded-in Ladder Lugs - Virginia Only

Weights are approximate for shipping estimates only.

Transition Fitting



Transition Fitting Drawing



Fitting Installation Instructions

SAFE-TANK Bellow Style Secondary Transition Fittings with PVC Nipple

SIZE	PART #
2"	7604
3"	7605
4"	7606

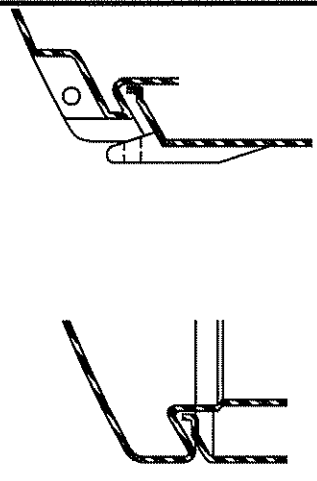
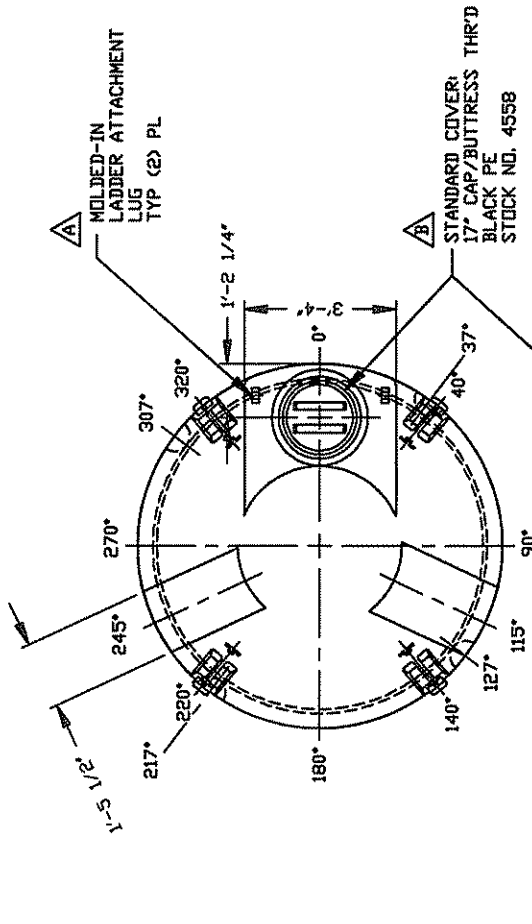
SAFE-TANK Leak Detection Devices

Sensor Type	PP	PFA*
OPTICAL	7469	7470
ULTRASONIC	7460	7461

* PFA (PFA Teflon) - offers superior stress and crack resistance

NON-CONTROLLED COPY
 INFORMATION SUBJECT TO CHANGE WITHOUT NOTICE
 VERIFY REV LEVEL OF PAPER COPY WITH REV LEVEL ON PPC WEB SITE

NOZZLE SCHEDULE & ACCESSORIES			
SERVICE	MK	STOCK NO	SIZE
			FITTING
			DEG
			ELEV



LIP DETAIL AT LUG
 SCALE: 1 1/2" = 1'-0"

NOTES:
 1. THIS IS A COMPUTER GENERATED DWG. DO NOT REVISE BY HAND. DIMENSIONS WILL VARY ±3% DUE TO VARIATIONS IN MULTIPLE MOLDS & CONDITIONS PREVALENT DURING MANUFACTURE & USAGE.
 2. FOR INNER TANK DTLS SEE COMPUTER FILE NO. 12002500 TITLE "2500 GALLON INNER SAFE-TANK" FOR OUTER TANK DTLS SEE COMPUTER FILE NO. 12103100, TITLE "2500 GALLON OUTER SAFE-TANK/2500 OPEN TOP TANK".

CALCULATED CAPACITIES/ VOLUME IN U.S. GALLONS	
TANK	WESTON CAPACITIES
INNER	2517 246 2763
OUTER	3125 N/A 3125

CONFIDENTIAL PROPERTY OF
 POLY PROCESSING COMPANY
 NOT FOR REPRINT OR USE
 WITHOUT PERMISSION

DWG TITLE: 2500 GALLON SAFE-TANK ASSEMBLY

SCALE: 3/8" = 1'-0"

DATE: 5/18/02

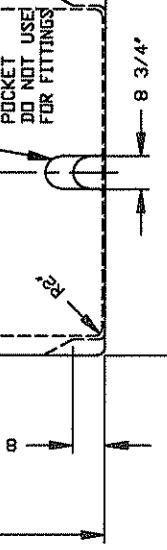
DR: MB WILKERSON
 CK: J. BRANTLEY

POLY PROCESSING
 CORPORATION

SHEET: 1 OF 1
 COMPUTER FILE: 12002500A
 REV: B

NOTE:
 LUGS AND RUNWAYS
 ROTATED INTO
 VIEW FOR CLARITY.
 SEE PLAN VIEW FOR
 DEGREE LOCATIONS.

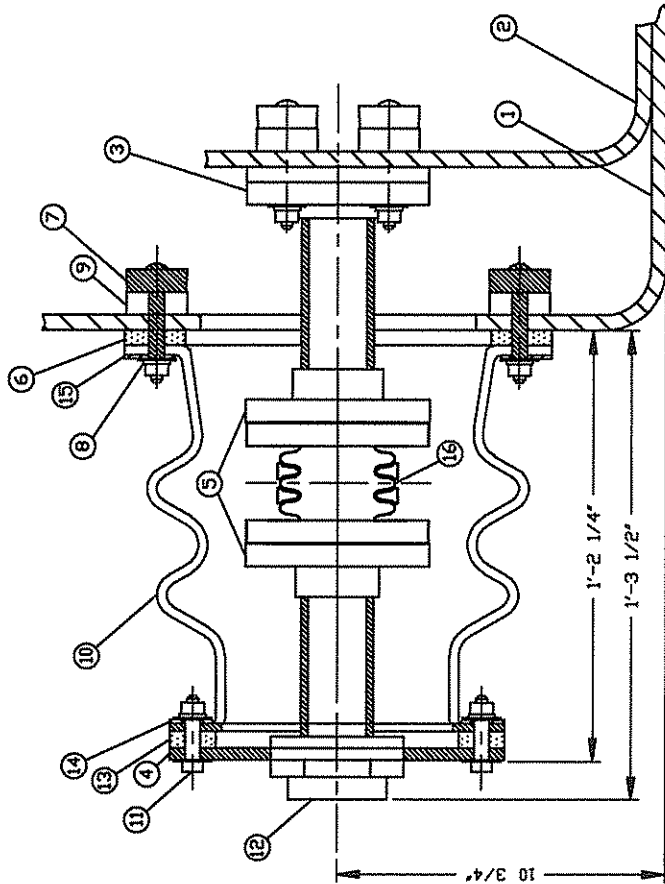
NOTE:
 MUST USE FLEXIBLE
 CONNECTIONS ALL
 LOWER SERIAL
 FITTINGS



REV 'B' REVISED COVER BY: JB 7/27/09 CK: KM
 REV 'A' ADDED LADDER ATTACHMENT LUGS BY: JB 8/13/05 CK: KM

MARK	QTY	PART NO.	DESCRIPTION
1	1	---	OUTER TANK
2	1	---	INNER TANK
3	1	---	AS SPECIFIED BY CUSTOMER (NOT INCLUDED)
4	1	9687	3/8" THK PLATE/BLACK PE
5	1	---	FLANGE ADAPTER/PVC
6	1	---	GASKET B" SPOOL (TANK END)
7	12	---	1/2" X 3" STUD BOLT
8	12	---	1/2" FLAT WASHER
9	12	---	1/2" LOCK WASHER
10	12	---	1/2"-13 UNC NUT
11	12	9688	STUD BOLT GASKET
12	8	---	TRANS FITTING BELLOWS II/LDPE/NATURAL
13	16	---	1/2"-13 X 2" BOLT
14	8	---	1/2" FLAT WASHER
15	8	---	1/2" LOCK WASHER
16	8	---	1/2"-13 NUT
17	1	---	BULKHEAD FITTING/PVC/SK1
18	1	---	GASKET G" FLANGE (PLATE END)
19	1	9685	SPLIT BACK-UP RING II/SS (PLATE END)
20	1	9686	SPLIT BACK-UP RING II/SS (TANK END)
21	1	---	FLANGED FLEX JOINT

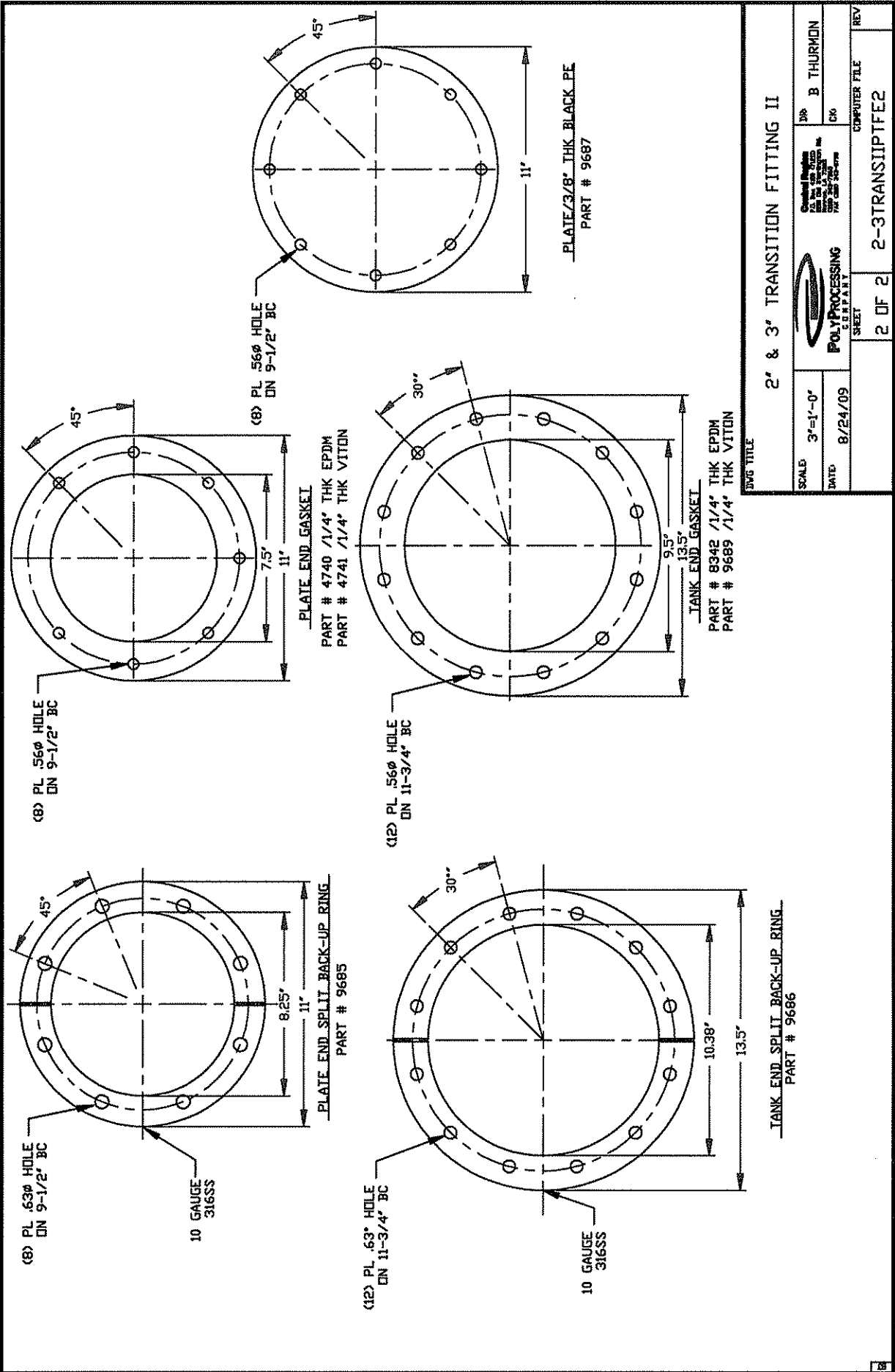
SIZE	BOLT	ASSEMBLY	GASKET	PART #
2	SS	EPDM		9690
2	SS	LV		9691
2	TITAN	EPDM		9692
2	TITAN	LV		9693
2	C-276	EPDM		9694
2	C-276	LV		9695
3	SS	EPDM		9696
3	SS	LV		9697
3	TITAN	EPDM		9698
3	TITAN	LV		9699



SECTION A-A

NOTES:
1. THIS IS A COMPUTER GENERATED DRAWING. DO NOT REVISE BY HAND.

BUNG TITLE		2" & 3" TRANSITION FITTING II W/PTE FLEX JOINT	
SCALE:	3"=1'-0"	DR:	B THURMON
DATE:	8/24/09	DC:	DC
POLYPROCESSING COMPANY		COMPUTER FILE	
SHEET		REV	
1 OF 2		2-3TRANSLIPIFE1	

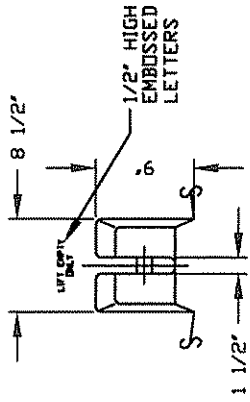
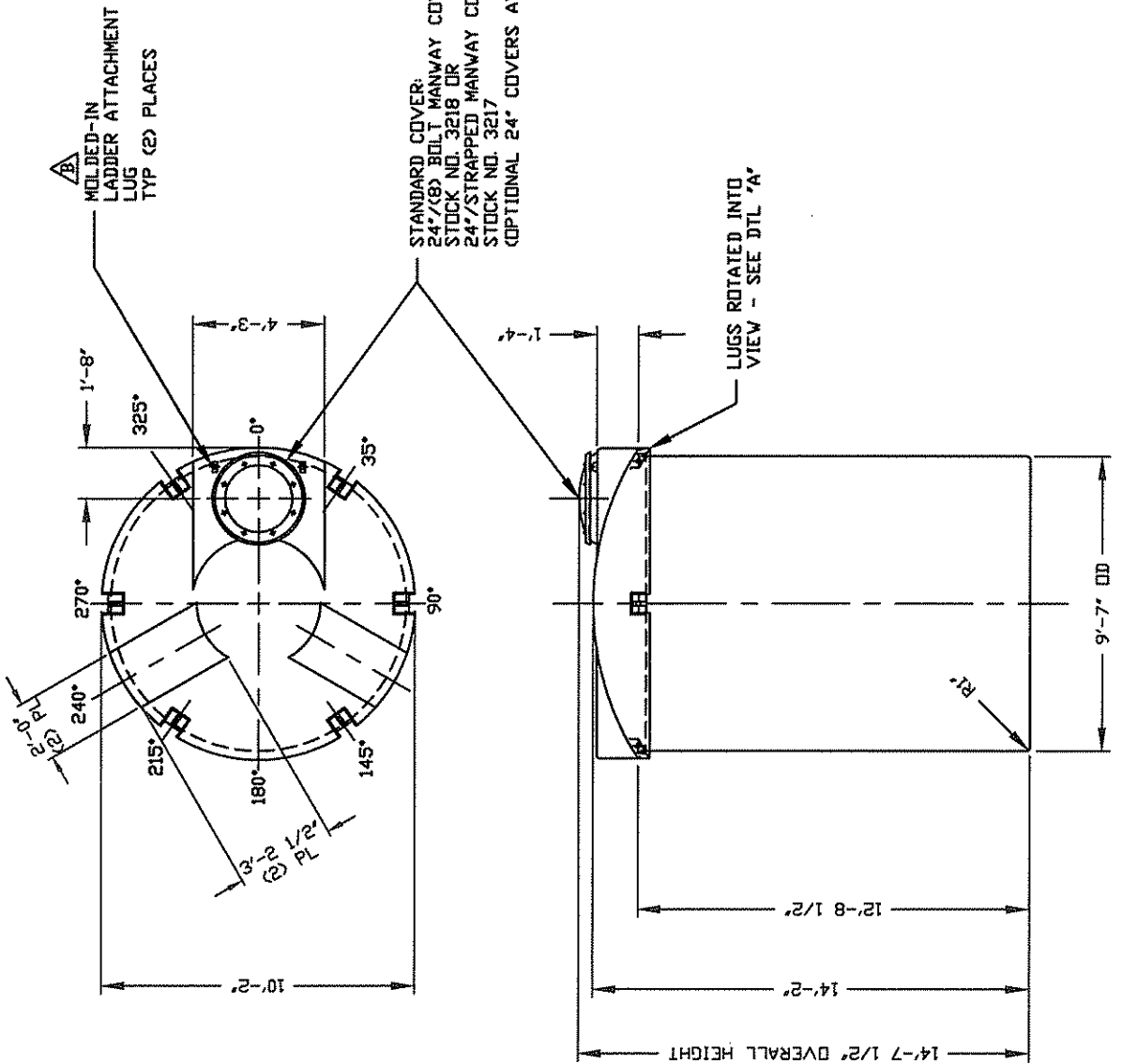


BWG TITLE

2" & 3" TRANSITION FITTING II

SCALE	3"=1'-0"	DWG	B THURMON
DATE	8/24/09	CHK	CKO
POLYPROCESSING SHEET		COMPUTER FILE	
2 OF 2		2-3TRANSIPTFE2	

NON-CONTROLLED COPY
 INFORMATION SUBJECT TO CHANGE WITHOUT NOTICE
 VERIFY REV LEVEL OF PAPER COPY WITH REV LEVEL ON PPC WEB SITE



DETAIL 'A'
 SCALE: 1 1/2"=1'-0"

- NOTES:
1. THIS IS A COMPUTER GENERATED DWG. DO NOT REVISE BY HAND.
 2. DIMENSIONS WILL VARY ±3% DUE TO VARIATIONS IN MULTIPLE MOLDS & CONDITIONS PREVALENT DURING MANUFACTURE & USAGE.
 3. FOR OUTER TANK DTLS SEE COMPUTER FILE NO. 2107450, TITLE '6650 GALLON OUTER SAFE-TANK/7450 GALLON OPEN TOP TANK.' FOR ASSEMBLY SEE COMPUTER FILE NO. 2006650A, TITLE '6650 GALLON SAFE-TANK ASSEMBLY.'

CALCULATED CAPACITIES/ VOLUME IN U.S. GALLONS	
DESIGN CAP	DUPLICATE VOL
6667	419
	7086

CONFIDENTIAL PROPERTY OF
 POLY PROCESSING COMPANY
 NOT FOR REPRINT OR USE
 WITHOUT PERMISSION

DWG TITLE: 6650 GALLON INNER SAFE-TANK

SCALE: 1/4"=1'-0"

DATE: 12/7/99

Central Region
 ALL THE STATE OF TEXAS
 POLY PROCESSING COMPANY
 2006650A

JR: MB WILKERSON
 CK: D. RECTOR

POLYPROCESSING
 COMPANY

SHEET: 1 OF 1
 COMPUTER FILE: 2006650
 REV: B

REV 'B' ADDED LADDER ATTACHMENT LUGS BY JB 10/1/04 CKWM
 REV 'A' MOLD MODIFICATION ADDING LIFTING LUGS & RUNWAYS BY MBW 12/6/02 CKJB

State of West Virginia

VENDOR PREFERENCE CERTIFICATE

Certification and application* is hereby made for Preference in accordance with West Virginia Code, §5A-3-37. (Does not apply to construction contracts). West Virginia Code, §5A-3-37, provides an opportunity for qualifying vendors to request (at the time of bid) preference for their residency status. Such preference is an evaluation method only and will be applied only to the cost bid in accordance with the West Virginia Code. This certificate for application is to be used to request such preference. The Purchasing Division will make the determination of the Resident Vendor Preference, if applicable.

- 1. Application is made for 2.5% resident vendor preference for the reason checked: Bidder is an individual resident vendor and has resided continuously in West Virginia for four (4) years immediately preceding the date of this certification; or, Bidder is a partnership, association or corporation resident vendor and has maintained its headquarters or principal place of business continuously in West Virginia for four (4) years immediately preceding the date of this certification; or 80% of the ownership interest of Bidder is held by another individual, partnership, association or corporation resident vendor who has maintained its headquarters or principal place of business continuously in West Virginia for four (4) years immediately preceding the date of this certification; or, Bidder is a nonresident vendor which has an affiliate or subsidiary which employs a minimum of one hundred state residents and which has maintained its headquarters or principal place of business within West Virginia continuously for the four (4) years immediately preceding the date of this certification; or,
2. Application is made for 2.5% resident vendor preference for the reason checked: Bidder is a resident vendor who certifies that, during the life of the contract, on average at least 75% of the employees working on the project being bid are residents of West Virginia who have resided in the state continuously for the two years immediately preceding submission of this bid; or,
3. Application is made for 2.5% resident vendor preference for the reason checked: Bidder is a nonresident vendor employing a minimum of one hundred state residents or is a nonresident vendor with an affiliate or subsidiary which maintains its headquarters or principal place of business within West Virginia employing a minimum of one hundred state residents who certifies that, during the life of the contract, on average at least 75% of the employees or Bidder's affiliate's or subsidiary's employees are residents of West Virginia who have resided in the state continuously for the two years immediately preceding submission of this bid; or,
4. Application is made for 5% resident vendor preference for the reason checked: Bidder meets either the requirement of both subdivisions (1) and (2) or subdivision (1) and (3) as stated above; or,
5. Application is made for 3.5% resident vendor preference who is a veteran for the reason checked: Bidder is an individual resident vendor who is a veteran of the United States armed forces, the reserves or the National Guard and has resided in West Virginia continuously for the four years immediately preceding the date on which the bid is submitted; or,
6. Application is made for 3.5% resident vendor preference who is a veteran for the reason checked: Bidder is a resident vendor who is a veteran of the United States armed forces, the reserves or the National Guard, if, for purposes of producing or distributing the commodities or completing the project which is the subject of the vendor's bid and continuously over the entire term of the project, on average at least seventy-five percent of the vendor's employees are residents of West Virginia who have resided in the state continuously for the two immediately preceding years.

Bidder understands if the Secretary of Revenue determines that a Bidder receiving preference has failed to continue to meet the requirements for such preference, the Secretary may order the Director of Purchasing to: (a) reject the bid; or (b) assess a penalty against such Bidder in an amount not to exceed 5% of the bid amount and that such penalty will be paid to the contracting agency or deducted from any unpaid balance on the contract or purchase order.

By submission of this certificate, Bidder agrees to disclose any reasonably requested information to the Purchasing Division and authorizes the Department of Revenue to disclose to the Director of Purchasing appropriate information verifying that Bidder has paid the required business taxes, provided that such information does not contain the amounts of taxes paid nor any other information deemed by the Tax Commissioner to be confidential.

Under penalty of law for false swearing (West Virginia Code, §61-5-3), Bidder hereby certifies that this certificate is true and accurate in all respects; and that if a contract is issued to Bidder and if anything contained within this certificate changes during the term of the contract, Bidder will notify the Purchasing Division in writing immediately.

Bidder: GVM Snow Equipment

Signed: Thomas Rosen

Date: 1/4/2010

Title: VICE PRESIDENT

*Check any combination of preference consideration(s) indicated above, which you are entitled to receive.

RFQ No. 6610 C012

STATE OF WEST VIRGINIA
Purchasing Division

PURCHASING AFFIDAVIT

West Virginia Code §5A-3-10a states: No contract or renewal of any contract may be awarded by the state or any of its political subdivisions to any vendor or prospective vendor when the vendor or prospective vendor or a related party to the vendor or prospective vendor is a debtor and the debt owed is an amount greater than one thousand dollars in the aggregate.

DEFINITIONS:

"Debt" means any assessment, premium, penalty, fine, tax or other amount of money owed to the state or any of its political subdivisions because of a judgment, fine, permit violation, license assessment, defaulted workers' compensation premium, penalty or other assessment presently delinquent or due and required to be paid to the state or any of its political subdivisions, including any interest or additional penalties accrued thereon.

"Debtor" means any individual, corporation, partnership, association, limited liability company or any other form or business association owing a debt to the state or any of its political subdivisions. "Political subdivision" means any county commission; municipality; county board of education; any instrumentality established by a county or municipality; any separate corporation or instrumentality established by one or more counties or municipalities, as permitted by law; or any public body charged by law with the performance of a government function or whose jurisdiction is coextensive with one or more counties or municipalities. "Related party" means a party, whether an individual, corporation, partnership, association, limited liability company or any other form or business association or other entity whatsoever, related to any vendor by blood, marriage, ownership or contract through which the party has a relationship of ownership or other interest with the vendor so that the party will actually or by effect receive or control a portion of the benefit, profit or other consideration from performance of a vendor contract with the party receiving an amount that meets or exceeds five percent of the total contract amount.

EXCEPTION: The prohibition of this section does not apply where a vendor has contested any tax administered pursuant to chapter eleven of this code, workers' compensation premium, permit fee or environmental fee or assessment and the matter has not become final or where the vendor has entered into a payment plan or agreement and the vendor is not in default of any of the provisions of such plan or agreement.

Under penalty of law for false swearing (*West Virginia Code §61-5-3*), it is hereby certified that the vendor affirms and acknowledges the information in this affidavit and is in compliance with the requirements as stated.

WITNESS THE FOLLOWING SIGNATURE

Vendor's Name: GVM Snow Equipment

Authorized Signature: Thomas Rein Date: 1/4/2010

State of Pennsylvania

County of Adams, to-wit:

Taken, subscribed, and sworn to before me this 4 day of January, 2010.

My Commission expires Dec. 23, 2012

AFFIX SEAL HERE

NOTARY PUBLIC

Gary A. Couler

COMMONWEALTH OF PENNSYLVANIA
Notarial Seal
Gary A. Couler, Notary Public
Butler Twp., Adams County
My Commission Expires Dec. 23, 2012
Member, Pennsylvania Association of Notaries