



State of West Virginia
 Department of Administration
 Purchasing Division
 2019 Washington Street East
 Post Office Box 50130
 Charleston, WV 25305-0130

Request for Quotation

RFQ NUMBER
MDC26997

PAGE
1

ADDRESS CORRESPONDENCE TO ATTENTION OF:
JOHN ABBOTT 304-558-2544

VENDOR

RFQ COPY
 TYPE NAME/ADDRESS HERE
GREAT LAKES HOTEL SUPPLY COMPANY
1961 GRAND RIVER AVE.
DETROIT, MICHIGAN 48226

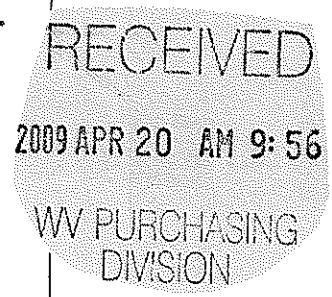
SHIP TO

DIVISION OF CORRECTIONS
 MOUNT OLIVE CORRECTIONAL
 CENTER
 ONE MOUNTAINSIDE WAY
 MT. OLIVE, WV
 25185 304-442-7216

DATE PRINTED	TERMS OF SALE	SHIP VIA	F.O.B	FREIGHT TERMS
04/09/2009				

BID OPENING DATE: 04/28/2009 BID OPENING TIME 01:30PM

LINE	QUANTITY	UOP	CAT. NO.	ITEM NUMBER	UNIT PRICE	AMOUNT
0001	2	EA		165-85		
				STEAMER	13,910.00	27,820.00
				KETTLE	24,255.00	48,510.00
<p>CONTRACT TO PROVIDE COMMERCIAL KITCHEN STEAMERS AND TILTING KETTLES, INCLUDING INSTALLATION, FOR THE MT. OLIVE CORRECTIONAL CENTER, MT. OLIVE, WV, PER THE SPECIFICATIONS.</p> <p>ALL REQUIREMENTS LISTED IN THE ATTACHED SPECIFICATIONS ARE TO BE BID; BRAND AND MODEL NUMBERS LISTED ARE THE MINIMUM STANDARD OF QUALITY ACCEPTABLE - BIDDERS SHALL INCLUDE AN EQUAL OR SUPERIOR PRODUCT AS LISTED.</p> <p>INSTALLATION, SET-UP, & TESTING IS REQUIRED.</p> <p>REMOVAL OF THE OLD EQUIPMENT IS THE RESPONSIBILITY OF THE SUCCESSFUL VENDOR. THE OLD EQUIPMENT SHALL BE PLACED AT A DESIGNATED STORAGE AREA WITHIN THE FACILITY.</p> <p>NOTICE</p> <p>A SIGNED BID MUST BE SUBMITTED TO:</p> <p>DEPARTMENT OF ADMINISTRATION PURCHASING DIVISION BUILDING 15 2019 WASHINGTON STREET, EAST CHARLESTON, WV 25305-0130</p> <p>NOTE: QUOTING ON CLEVELAND RANGE ITEM MODEL 24CGA6-25 STEAMER AND MODEL KGL-60-T TILT KETTLE.</p> <p>ALL ELECTRICAL, GAS, WATER, STEAM CONNECTIONS MUST BE WITHIN FIVE FEET OF NEW EQUIPMENT. ANY UPGRADING CHARGES ARE BY OTHER TRADES.</p>						



SEE REVERSE SIDE FOR TERMS AND CONDITIONS			
SIGNATURE	TELEPHONE	DATE	
<i>David J. Jurek</i>	313-962-9176	4/17/09	
TITLE	FEIN	ADDRESS CHANGES TO BE NOTED ABOVE	
VICE PRESIDENT	38-1945157		

WHEN RESPONDING TO RFQ, INSERT NAME AND ADDRESS IN SPACE ABOVE LABELED 'VENDOR'



State of West Virginia
 Department of Administration
 Purchasing Division
 2019 Washington Street East
 Post Office Box 50130
 Charleston, WV 25305-0130

Request for Quotation

RFQ NUMBER
MOC26997

PAGE
2

ADDRESS CORRESPONDENCE TO ATTENTION OF:
JOHN ABBOTT
304-558-2544

VENDOR

RFQ COPY
 TYPE NAME/ADDRESS HERE
GREAT LAKES HOTEL SUPPLY COMPANY
1961 GRAND RIVER AVE.
DETROIT, MICHIGAN 48226

SHIP TO

DIVISION OF CORRECTIONS
 MOUNT OLIVE CORRECTIONAL
 CENTER
 ONE MOUNTAINSIDE WAY
 MT. OLIVE, WV
 25185 304-442-7216

DATE PRINTED	TERMS OF SALE	SHIP VIA	F.O.B.	FREIGHT TERMS
04/09/2009				

BID OPENING DATE: **04/28/2009** BID OPENING TIME **01:30PM**

LINE	QUANTITY	UOP	CAT. NO.	ITEM NUMBER	UNIT PRICE	AMOUNT
THE BID SHOULD CONTAIN THIS INFORMATION ON THE FACE OF THE ENVELOPE OR THE BID MAY NOT BE CONSIDERED: SEALED BID BUYER: JOHN ABBOTT----- RFQ. NO.: MOC26997----- BID OPENING DATE: 4/28/2009----- BID OPENING TIME: 1:30 PM----- PLEASE PROVIDE A FAX NUMBER IN CASE IT IS NECESSARY TO CONTACT YOU REGARDING YOUR BID: ----- CONTACT PERSON (PLEASE PRINT CLEARLY): ----- ***** THIS IS THE END OF RFQ MOC26997 ***** TOTAL: <u>76,330.00</u>						

SEE REVERSE SIDE FOR TERMS AND CONDITIONS			
SIGNATURE <i>[Signature]</i>	TELEPHONE 313-962-9176	DATE 4/17/09	
TITLE VICE PRESIDENT	FAX 38-1945157	ADDRESS CHANGES TO BE NOTED ABOVE	

WHEN RESPONDING TO RFQ, INSERT NAME AND ADDRESS IN SPACE ABOVE LABELED 'VENDOR'

**GENERAL TERMS & CONDITIONS
REQUEST FOR QUOTATION (RFQ) AND REQUEST FOR PROPOSAL (RFP)**

1. Awards will be made in the best interest of the State of West Virginia.
2. The State may accept or reject in part, or in whole, any bid.
3. All quotations are governed by the *West Virginia Code* and the *Legislative Rules* of the Purchasing Division.
4. Prior to any award, the apparent successful vendor must be properly registered with the Purchasing Division and have paid the required \$125 fee.
5. All services performed or goods delivered under State Purchase Order/Contracts are to be continued for the term of the Purchase Order/Contracts, contingent upon funds being appropriated by the Legislature or otherwise being made available. In the event funds are not appropriated or otherwise available for these services or goods, this Purchase Order/Contract becomes void and of no effect after June 30.
6. Payment may only be made after the delivery and acceptance of goods or services.
7. Interest may be paid for late payment in accordance with the *West Virginia Code*.
8. Vendor preference will be granted upon written request in accordance with the *West Virginia Code*.
9. The State of West Virginia is exempt from federal and state taxes and will not pay or reimburse such taxes.
10. The Director of Purchasing may cancel any Purchase Order/Contract upon 30 days written notice to the seller.
11. The laws of the State of West Virginia and the *Legislative Rules* of the Purchasing Division shall govern all rights and duties under the Contract, including without limitation the validity of this Purchase Order/Contract.
12. Any reference to automatic renewal is hereby deleted. The Contract may be renewed only upon mutual written agreement of the parties.
13. **BANKRUPTCY:** In the event the vendor/contractor files for bankruptcy protection, this Contract may be deemed null and void, and terminated without further order.
14. **HIPAA BUSINESS ASSOCIATE ADDENDUM:** The West Virginia State Government HIPAA Business Associate Addendum (BAA), approved by the Attorney General, and available online at the Purchasing Division's web site (<http://www.state.wv.us/admin/purchase/vrc/hipaa.htm>) is hereby made part of the agreement. Provided that, the Agency meets the definition of a Cover Entity (45 CFR §160.103) and will be disclosing Protected Health Information (45 CFR §160.103) to the vendor.
15. **WEST VIRGINIA ALCOHOL & DRUG-FREE WORKPLACE ACT:** If this Contract constitutes a public improvement construction contract as set forth in Article 1D, Chapter 21 of the West Virginia Code ("The West Virginia Alcohol and Drug-Free Workplace Act"), then the following language shall hereby become part of this Contract: "The contractor and its subcontractors shall implement and maintain a written drug-free workplace policy in compliance with the West Virginia Alcohol and Drug-Free Workplace Act, as set forth in Article 1D, Chapter 21 of the West Virginia Code. The contractor and its subcontractors shall provide a sworn statement in writing, under the penalties of perjury, that they maintain a valid drug-free work place policy in compliance with the West Virginia and Drug-Free Workplace Act. It is understood and agreed that this Contract shall be cancelled by the awarding authority if the Contractor: 1) Fails to implement its drug-free workplace policy; 2) Fails to provide information regarding implementation of the contractor's drug-free workplace policy at the request of the public authority; or 3) Provides to the public authority false information regarding the contractor's drug-free workplace policy."

INSTRUCTIONS TO BIDDERS

1. Use the quotation forms provided by the Purchasing Division.
2. **SPECIFICATIONS:** Items offered must be in compliance with the specifications. Any deviation from the specifications must be clearly indicated by the bidder. Alternates offered by the bidder as **EQUAL** to the specifications must be clearly defined. A bidder offering an alternate should attach complete specifications and literature to the bid. The Purchasing Division may waive minor deviations to specifications.
3. Complete all sections of the quotation form.
4. Unit prices shall prevail in case of discrepancy.
5. All quotations are considered F.O.B. destination unless alternate shipping terms are clearly identified in the quotation.
6. **BID SUBMISSION:** All quotations must be delivered by the bidder to the office listed below prior to the date and time of the bid opening. Failure of the bidder to deliver the quotations on time will result in bid disqualifications: Department of Administration, Purchasing Division, 2019 Washington Street East, P.O. Box 50130, Charleston, WV 25305-0130

Item #1

STEAMER, CONVECTION, GAS, FLOOR MODEL

Convection Steamer, gas, 2 compartment, 24" cabinet base, six 12 x 20 x 2-1/2" pan/compartment capacity, twin gas-fired generators w/individual electronic ignition system, 190,000 BTU

Gas type to be specified

120v/60/1-ph

91-6852 Kleensteam, includes 2 yr. boiler warranty, 7CB5 cartridge, SS-10 scale inhibitor cartridge, (4) ScaleKleen 2.2 lb packets & dip tube

PRISON PACKAGE Consists of:

*A Lockable Stainless Steel Hinged Cover over the Cooker Controls

*Lockable Modular Cabinet Base Doors. Side and Rear Panels Secured to the SS Base Frame with Tamper Proof Screws

*Four (4) Flanged Feet for Securing the Unit to the Floor

*All Exposed Screws to be Tamper Proof

Note: Locks are Not Included

Weight: 1510 lbs. total

One (1) Year Parts & Labor Warranty, and Free Mechanical Start-Up included in pricing.

Item #2

TILTING KETTLE, GAS

Kettle, tilting, gas, 60-gallon capacity, 2/3 steam jacket design, open leg base, all stainless steel exterior finish, 120,000 BTU

Gas type to be specified

120v/60-50/1ph, std.

08-0011 Tangent Draw-Off Valve, 3", for tilting kettles (not available on modular kettles)

09-1116 Lift-Off Cover, for 60 gallon tilting kettle

09-1125 Hinged Cover, for 60 gallon tilting kettle

PRISON PACKAGE Consists of:

*Lockable Stainless Steel Hinged Cover over the Control Panel **Lock Not Included

*All Exposed Screws will be Tamper Proof Tack Welds where Applicable

Weight: 2000 lbs. total

One (1) Year Parts & Labor Warranty, and Free Mechanical Start-Up included in pricing.

MOC26997 - Commercial Kitchen Equipment - BID FORM		
Description	Order Qty.	Extended Price
Convection Steamer	2	\$27,820.00
Tilting Kettle	2	\$48,510.00
Failure to use this form may result in disqualification		\$76,330.00
Bidder / Vendor Information:		
Name:	<u>GREAT LAKES HOTEL SUPPLY COMPANY</u>	
Address:	<u>1961 GRAND RIVER AVE.</u>	
	<u>DETROIT, MICHIGAN 48226</u>	
Phone# :	<u>313-962-9176</u>	
Email Address:	<u>DAVID@GLHSCO.COM</u>	



HOTEL SUPPLY CO.

Food Service Equipment Contractors

(313) 962-9176
FAX (313) 962-1317
1961 GRAND RIVER
DETROIT, MICHIGAN
48226-1274

-
- | | | | |
|---|---|----|--|
| 1 | 1 | ea | STEAMER, CONVECTION, GAS, FLOOR MODEL
Cleveland Range Inc. Model No. 24CGA6.2S Class: 85
Steamcraft® Gemini™ 6 Steamer, Convection, Gas, 2 compartments,
(3)12x20 x2 1/2 pans/compartment, third compartment pan storage, 1
standard treated & tap water connection, 60 minute mechanical timer,
w/twin 50,000 BTU Gas-Fired Steam Generators, s/s construction, 6" legs
w/flngd ft |
| | 1 | ea | One year limited warranty, standard |
| | 1 | ea | Gas type to be specified |
| | 1 | ea | VOS115 120v/60/1-ph, 2.0 amps, 2-wire (DO NOT connect to GFI outlet) |
| | 1 | ea | 9797-21 Kleensteam® II, Water Filter Assembly, for floor model steamers,
includes (1) CV cartridge, (1) AR-10 filter cartridge, dip tube & ScaleKleen
2.2-lb packet, wall-mounting bracket & gauge assembly |
| | 1 | ea | Prison packages |

-
- | | | | |
|---|---|----|---|
| 2 | 1 | ea | TILTING KETTLE, GAS
Cleveland Range Inc. Model No. KGL-60-T Class: 100
Kettle, Gas, Tilting, 60-gallon capacity, 2/3 steam jacket design, w/floor
mounted control console supports, s/s exterior finish, std w/flanged feet,
50 psi rating, electronic spark ignition, cord & plug, cover & draw-off
optional |
| | 1 | ea | One year limited warranty, standard |
| | 1 | ea | Gas type to be specified |
| | 1 | ea | VOS115 115 volts, 60 hz, 1 phase for controls |
| | 1 | ea | TD3 3" tangent draw-off valve with strainer |
| | 1 | ea | CHS60 Spring-assisted cover (60 gallon) |
| | 1 | ea | CL60 Lift-off Cover |
| | 1 | ea | Prison packages |



STEAMCRAFT® GENERATOR STYLE HIGH SPEED CONVECTION STEAMERS

Project _____
Item _____
Quantity _____
FCSI Section _____
Approval _____
Date _____

SteamCraft® Gemini™ 6 SHORT SERIES PRESSURELESS STEAMER, TWIN, INDEPENDENT GAS-FIRED GENERATORS

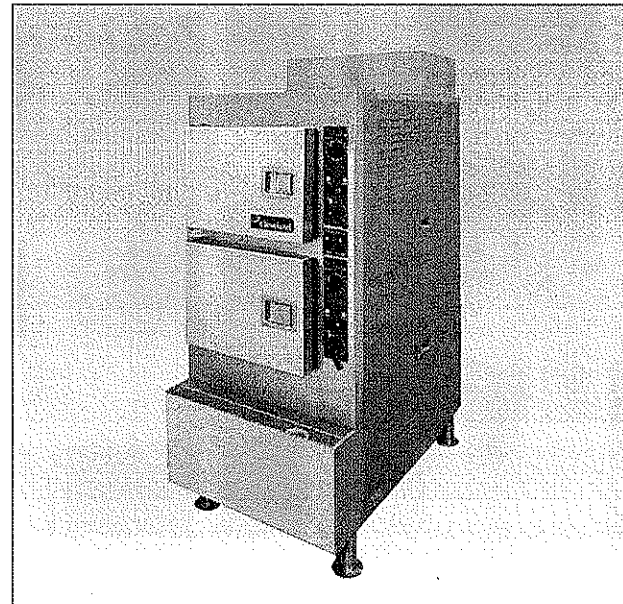
MODEL: 24CGA6.2S

Cleveland Standard Features

- 54.5" (1385mm) height to top of upper compartment (lower height makes maintenance easier by lowering the descaling ports)
- Each compartment has cooking capacity for 3 each 12" x 20" x 2 1/2" Steam Table Pans
- Doors hinged left and the controls on the right
- High efficiency independent Power Burner Steam Generators 50,000 BTU's for each compartment
- Each steam-cooking compartment is independently operated and controlled by a separate stainless steel steam generator, gas valve, Power On/Off Control Levers and a Exclusive, Remote Probe-Type Water Level Control
- Easy Access Cleaning Port: Each generator has a delimiting port located on the outside, top of the unit
- Generator Cleaning Light for each compartment warns the operator to delime generator
- Generator Steam Standby Mode: Holds generator at a steaming temperature, allows unit to start cooking quickly
- Each compartment has one, 60-Minute Electro-Mechanical Timer with "SureCook" load compensating feature. Manual Bypass Switch for constant steaming.
- Durable 14 Gauge, 304 Stainless Steel construction for compartment door, cooking cavity and steam generator
- **Exclusive Gemini Drain/Power Control System:**
Manual 1/2 inch "Ball Valve" type drain that controls main power On/Off and automatically fills generator (located on the control panel)
- Exclusive Brass Steam Jets distribute steam even throughout cooking compartment
- Easy, Front -Access Generator Controls comes with a pullout drawer for simple servicing of unit
- 6" Stainless Steel Adjustable Legs with Flanged Feet
- Approvals: CSA (AGA, CSA) and U.L./NSF#4
- Compartment Steam Shut-Off Switch when compartment door is opened

Options & Accessories

- Electronic Timer with Compensating Feature (ETC)
- On/Off Steam Switch Controls, no timer (MC)



Short Form Specifications

Cleveland SteamCraft® Gemini™ Model 24CGA6.2S, 54.5" high, Two compartment steamer. Independent steam generators, 50,000 BTU's input per compartment. "SureCook" electro mechanical timer with load compensating feature. Gas valve and water level control system. Exclusive remote probe-type water level controls. Exclusive Brass "Steam Jet" distribution system. Two-piece free-floating compartment door. 14 gauge stainless steel cavity and door. Pullout service drawer for controls and Gemini Drain/Power Control System.

- Propane Gas (PG)
- Dissolve® Descale Solution, 6 one gallon container w/quarter markings (106174)
- Water Filters

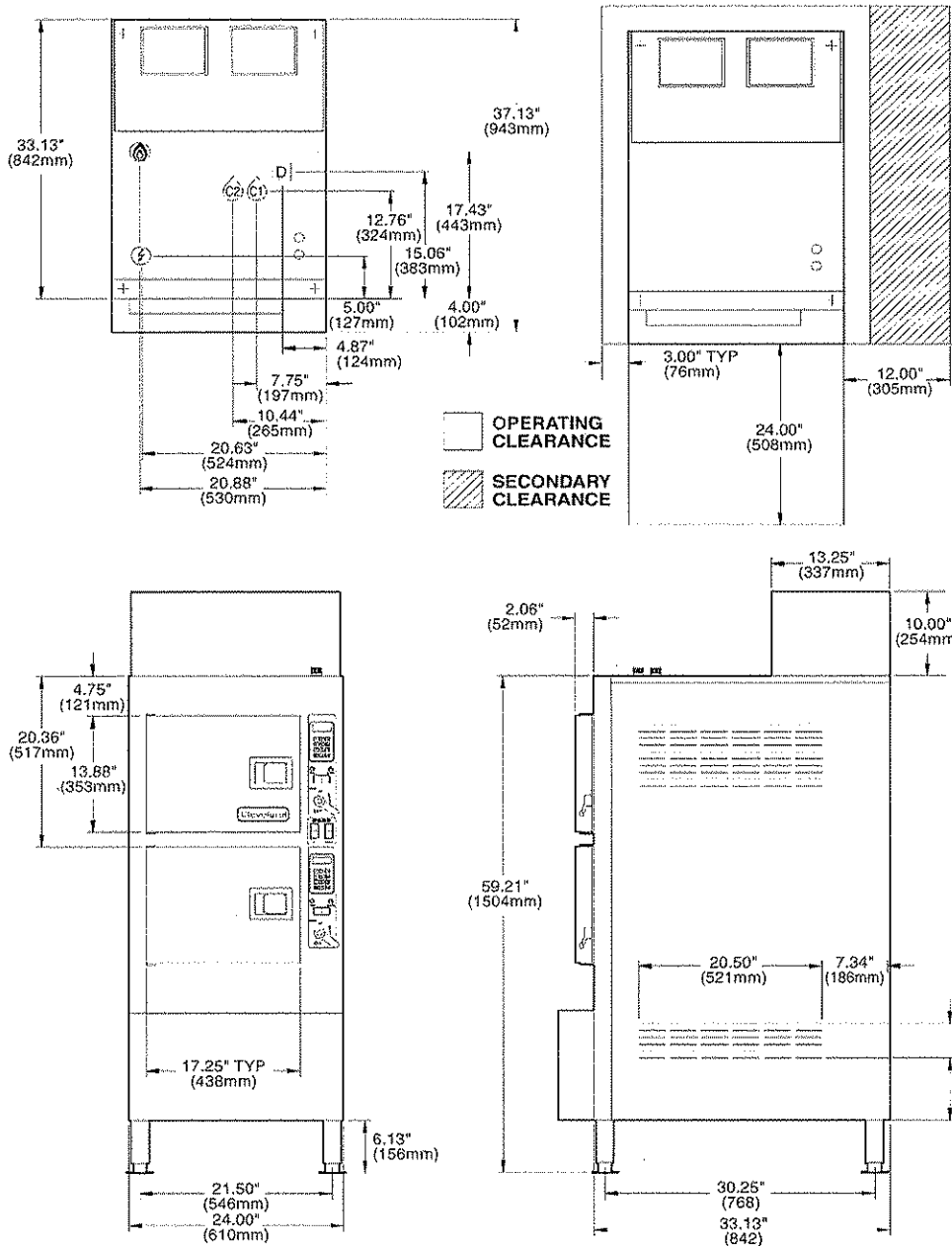
1333 East 179 St.,
Cleveland, Ohio, U.S.A. 44110

Tel: 1-216-481-4900
Fax: 1-216-481-3782

Web Site: www.ClevelandRange.com
Email: Steam@ClevelandRange.com

SECT. IV PAGE 11
1007

Enodis



WATER QUALITY REQUIREMENTS

The quality of water varies greatly from region to region. Steam equipment generators must be drained daily and chemically descaled periodically to ensure proper operation. To minimize service problems caused by the accumulation of minerals and chemicals in water review the following quality guidelines with a local water treatment specialist. Inlet water that is beyond these specified guidelines should be treated to achieve these acceptable limits. Total Dissolved Solids less than 60 ppm, Alkalinity less than 20 ppm, Silica less than 13 ppm, pH factor greater than 7.5, Chlorine less than 30 ppm.

Each Compartment has Capacity for:

- Three 2½" x 12" x 20" Steam Table Pans
- Six 1" x 12" x 20" Steam Table Pans
- Two 4" x 12" x 20" Steam Table Pans

GAS			ELECTRIC	COLD WATER	CLEARANCE	DRAINAGE
1½" IPS line size, ¾" connection			120V-1Phase, 60 Hz. 2 Blowers & Controls 150 watts each ** Do not connect to GFI outlet. See note below.	35 psi minimum 60 psi maximum C2 ¾" dia. NPT for Generator C1 ¾" dia. NPT for Condenser	Right - 3", Left - 3", Rear - 3" (12" on control side if adjoining wall or equipment is over 30" high for service access) Contact factory for variances to clearances.	1½" dia. Do not connect other units to this drain Drain must not be located beneath the steamer itself Preferred floor drain location should be a minimum distance (from the unit) of at least 12" from the left side, 12" from the right side, 6" from the front and 6" from the rear Do not use PVC pipe
NATURAL	PROPANE	BTU				
Piping ¾" N.P.T.	Piping ¾" N.P.T.	50,000 each				
Supply pressure 4.50" W.C. Min. 14.00" W.C. Max.	Supply pressure 11.00" W.C. Min. 14.00" W.C. Max.	Generator, 100,000 total				
Manufacturer must be notified if unit will be used above 2,000 feet						

NOTES:

**DO NOT CONNECT TO GFI OUTLET. CLEVELAND RANGE RECOMMENDS GAS FIRED 120 VOLT STEAMERS BE HARD WIRED DIRECTLY TO ELECTRICAL SYSTEM. Cleveland Range reserves right of design improvement or modification, as warranted. Many regional, state and local codes exist and it is the responsibility of the owner and installer to comply with the codes. Cleveland Range equipment is built to comply with applicable standards for manufacturers. Included among those approval agencies are UL/NSF#4 and CSA (AGA, CGA).

(NOT TO SCALE)
 SECT. IV PAGE 12
 1007
 Litho in U.S.A.



GAS KETTLES

Project _____
 Item _____
 Quantity _____
 FCSI Section _____
 Approval _____
 Date _____

LEG TYPE, GAS-FIRED KETTLES

TILTING, 23 STEAM JACKETED

"SPASH PROOF SERIES"

40, 60, or 80 GALLONS (150, 225, or 300 LITERS)

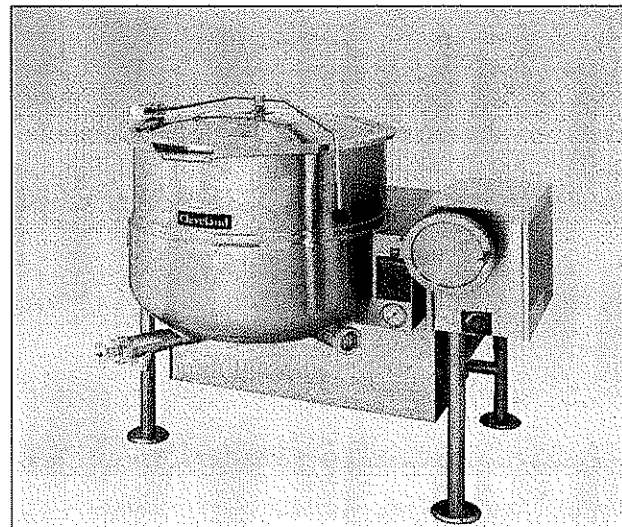
Cleveland Standard Features

- High efficiency Power Burner Heating System (62% to 65% efficiency)
- Fast Heat-up and Recovery Time, 140M BTU's on 40 gallon models, 190M BTU's on 60 gallon and larger
- Insulated Heat Exchanger
- Automatic Ignition System
- Steam Jacket permanently filled with treated, distilled water. Venting and/or refilling not required.
- Solid State Controls, for Temperature and Low Water Safety, in a plug-in Control Module
- Control Panel includes:
 - Precise, consistent temperature control: less than $\pm 1^{\circ}\text{C}$ variance (ideal for simmering).
 - L.E.D. Indicators for Heat Cycle and Low Water Warning.
 - Power "on/off" Switch
- Front mounted combination Pressure/Vacuum Gauge
- Type 304 Stainless Steel with #4 finish on kettle and supports
- Tilt Mechanism of roller bearings and case hardened self-locking worm and segment gear
- Support Legs with level adjustable feet, flanged for floor bolting
- 50 psi Steam Jacket Rating and Safety Valve
- Standard voltage is 115 volts, 60 Hz, single-phase, supplied with cord and plug
- Standard for natural gas operation
- Typical approvals include AGA, CSA, CE, NSF and ASME

Options & Accessories

- Type 316 Stainless Steel Kettle Liner for high acid food products (316)
- Pan Carrier (PCK)
- Flow Diverter (FD)
- Food Strainer (FS)
- Kettle Markings (KM)
- Cooking Baskets and Tri-Basket Supports (BS and TBS)
- Drain Strainers (DS-)
- Faucet Mounting Bracket (FBKT)
- 2" or 3" diameter Tangent Draw-Off Valve with Drain Strainer (TD2 or TD3*), *TD3 for 60 and 80 gallon only and will raise height of kettle by 5-5/8" (143mm)
- 3" diameter Butterfly Valve (BV3)

MODELS: KGL-40-T KGL-80-T
 KGL-60-T



Shown with optional Spring Assisted Cover and 2" Tangent Draw-Off Valve

Short Form Specifications

Shall be CLEVELAND, Gas-Fired Tilting Kettle, Model KGL- ____ T; ____ gallons, 23 Steam Jacketed, Power Burner Heating System, Insulated Heat Exchanger, 50 psi Steam Jacket Rating. Infinite Variable Temperature Control, L.E.D. indicators for Heat Cycle and Low Water Warning, Automatic Ignition System.

- Spring-assisted, hinged, rotatable, domed Stainless Steel Cover (CHS-)
- Hot and Cold Water Faucet with Swing Spout (DPK)
- Kettle Accessory Kit (KAK) includes:
 - Clean-up Brush(CB) 36" Kettle Paddle (KP)
 - 36" Kettle Whip(KW) 36" Kettle Brush (KB)
 - Draw-off Brush (DB) 24 oz. Ladle (KL)
- Automatic Water Meter (GMF or LMF)
- Measuring Strip (MS)
- Option for Propane Gas operation
- Correctional Package
- Heat Deflector Shield (HS001)

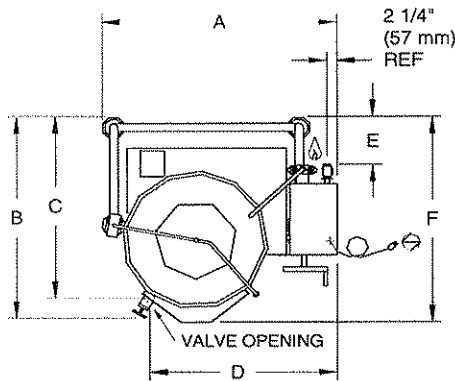
SECT. IX PAGE 7
0707

1333 East 179 St.,
Cleveland, Ohio, U.S.A. 44110

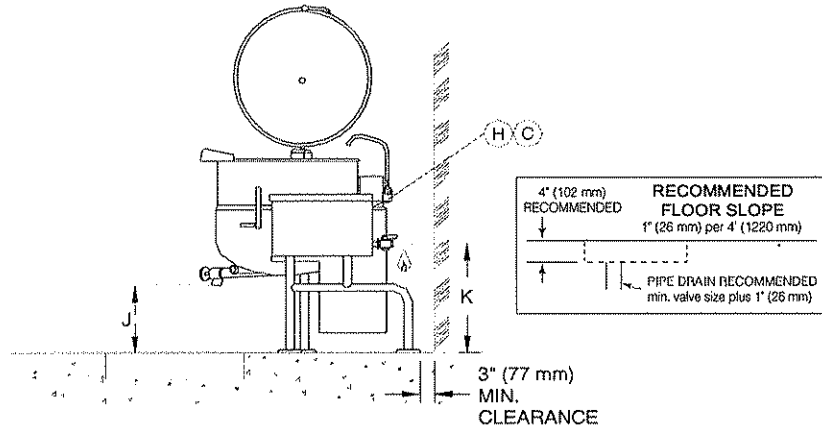
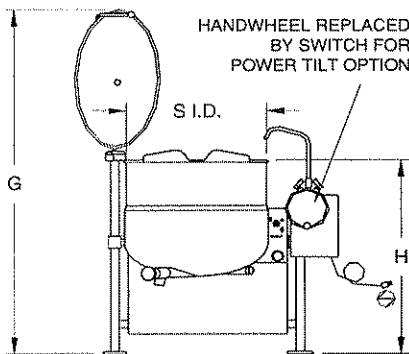
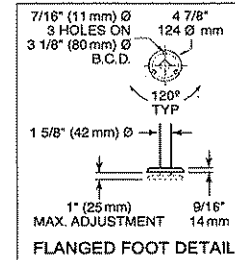
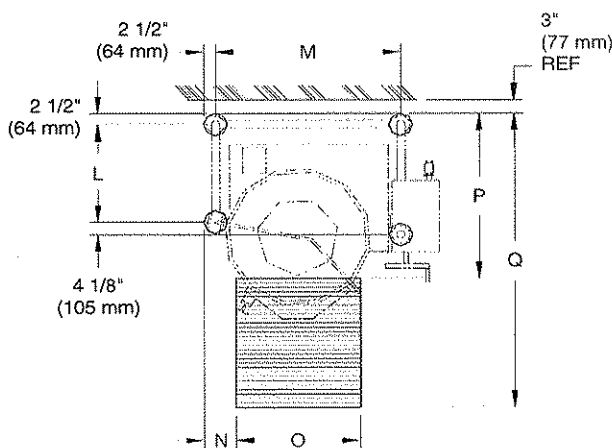
Tel: 1-216-481-4900
Fax: 1-216-481-3782

Web Site: www.ClevelandRange.com
Email: Steam@ClevelandRange.com

Enodis



NOTE: TD3, 3" tangent draw off will raise height of kettle by 5-5/8" (143mm). Available on 60 & 80 gallon models only.



UNIT SHOWN WITH OPTIONAL 2" TANGENT DRAW-OFF VALVE, SPRING ASSIST COVER AND HOT & COLD WATER FAUCET.

CAPACITIES: (in 8 oz. servings, other sizes may be calculated)
 40 Gallon / 150 liters . . . 640 servings
 60 Gallon / 225 liters . . . 960 servings
 80 Gallon / 300 liters . . . 1280 servings

DIMENSIONS

GALS./LITERS	A	B	C	D	E	F	G	H	J	K	L	M	N	O	P	Q	S.I.D.
40	IN 45 3/4	42 1/2	38	35	9	42 1/4	71	40 1/2	15 1/2	23 1/4	19	35 3/4	4 3/8	24	33	63	26
150	mm 1163	108	966	889	229	1074	1804	1029	394	591	483	909	112	610	839	1601	661
60	IN 49 3/8	46	41 1/2	37	11 3/4	47 1/4	75	43 3/4	15 1/4	24 1/2	22	39 3/8	6	28	37	68	29 1/2
225	mm 1255	1169	1055	940	299	1201	1905	1112	388	623	559	1001	153	712	940	1728	750
80	IN 53	49	44 1/2	39	14 3/4	51	78	44 3/4	14	25	25	43	7	30	40	72	33
300	mm 1347	1245	1131	991	375	1296	1982	1137	356	635	635	1093	178	762	1016	1829	839

GAS			ELECTRIC	WATER	CLEARANCE
NATURAL	PROPANE	B.T.U. RATING	120V-1 Phase, 60 Hz, 10 amps	1/2" dia. Soft Copper Tubing (each) When ordered with optional faucet.	RIGHT = 0" LEFT = 0" REAR = 3" Allow 6" space minimum from rear and sides when located near combustible walls. 12" recommended on right side for service
Piping: 3/8" N.P.T.	Piping: 3/8" N.P.T.	40 gal. 140,000			
Supply pressure: 4.00" W.C. minimum 14.00" W.C. maximum	Supply pressure: 4.00" W.C. minimum 14.00" W.C. maximum	60 gal. 190,000			
		80 gal. 190,000			

NOTES:

Cleveland Range reserves right of design improvement or modification, as warranted.
 Many regional, state and local codes exist and it is the responsibility of the owner and installer to comply with the codes.
 Installation of backflow preventers, vacuum breakers and other specific code requirements is the responsibility of the owner and installer.
 Cleveland Range equipment is built to comply with applicable standards for manufacturers. Included among those approval agencies are U.L., A.G.A., NSF, ASME/N.B.d., CSA, CGA, ETL and others.

CERTIFICATE OF REGISTRATION

ISO 9001R

Great Lakes Hotel Supply Company

1961 Grand River Avenue
Detroit, Michigan 48226-1204 USA

Allied International Quality Registrar, Inc. issues this certificate to the firm named above, having assessed and approved the firm's quality management system and finding the system conforms to the standards of:

ISO 9001-2000
ANSI / ISO / ASQ Q9001-2000

The Quality Management System is applicable to the following:

Foodservice Equipment Contractors Specializing in Providing Engineering and Installation of Commercial Kitchens for Hospitals, Corporate Feeding, Correctional Facilities, Schools and Universities, Country Clubs and Restaurants.

This approval is subject to the firm maintaining its system to the required standards which will be monitored by AIQR.

Certification Number: AIQR-203
Date of Issue: January 03, 2008
Date of Expiration: January 02, 2011


On behalf of AIQR

Allied International Quality Registrar, LLC.

45421 Augusta Drive, Canton, Michigan 48188



State of West Virginia
 Department of Administration
 Purchasing Division
 2019 Washington Street East
 Post Office Box 50130
 Charleston, WV 25305-0130

Request for Quotation

RFQ NUMBER
MOC26997

PAGE
1

ADDRESS CORRESPONDENCE TO ATTENTION OF:
JOHN ABBOTT 304-558-2544

VENDOR

RFQ COPY
 GREAT LAKES HOTEL SUPPLY COMPANY
 1961 GRAND RIVER
 DETROIT MI 48226

SHIP TO

DIVISION OF CORRECTIONS
 MOUNT OLIVE CORRECTIONAL
 CENTER
 ONE MOUNTAINSIDE WAY
 MT. OLIVE, WV
 25185 304-442-7216

DATE PRINTED	TERMS OF SALE	SHIP VIA	F.O.B.	FREIGHT TERMS
04/17/2009				

BID OPENING DATE:	04/28/2009	BID OPENING TIME	01:30PM
-------------------	------------	------------------	---------

LINE	QUANTITY	UOP	CAT NO	ITEM NUMBER	UNIT PRICE	AMOUNT
ADDENDUM #01						
THIS ADDENDUM IS ISSUED TO ADD THE PREVAILING WAGE RATE DUE TO THE THE REQUIREMENT "VENDOR MUST SECURE STEAMER THE FLOOR", PER THE BELOW; AND TO ADD THE REQUIREMENT "INSTALLATION MUST BE SCHEDULED AFTER DINNER, OR 6:00 PM, IN ORDER TO AVOID DISRUPTION IN THE MEAL PREPARATION. GAS HOOK UP WILL BE PERFORMED BY AGENCY STAFF.						
0001	2	EA		165-85	13,910.00	27,820.00
					24,225.00	48,510.00
WEST VIRGINIA CODE 21-1D-5 PROVIDES THAT: ANY SOLICITATION FOR A PUBLIC IMPROVEMENT CONSTRUCTION CONTRACT REQUIRES EACH VENDOR THAT SUBMITS A BID FOR THE WORK TO SUBMIT AT THE SAME TIME AN AFFIDAVIT OF COMPLIANCE WIT THE BID. THE ENCLOSED DRUG-FREE WORKPLACE AFFIDAVIT MUST BE SIGNED AND SUBMITTED WITH THE BID AS EVIDENCE OF THE VENDOR'S COMPLIANCE WITH THE PROVISIONS OF ARTICLE 1D, CHAPTER 21 OF THE WEST VIRGINIA CODE. FAILURE TO SUBMIT THE SIGNED DRUG-FREE WORKPLACE AFFIDAVIT WITH THE BID SHALL RESULT IN DISQUALIFICATION OF SUCH BID.						
NOTICE TO PROCEED: THIS CONTRACT IS TO BE PERFORMED WITHIN 30 CALENDAR DAYS AFTER THE NOTICE TO PROCEED IS RECEIVED. UNLESS OTHERWISE SPECIFIED, THE FULLY EXECUTED PURCHASE ORDER WILL BE CONSIDERED NOTICE TO PROCEED						

RECEIVED

2009 APR 23 AM 11:55

WV PURCHASING DIVISION

SIGNATURE		SEE REVERSE SIDE FOR TERMS AND CONDITIONS		TELEPHONE	DATE
TITLE		FEIN		313-962-9176	APRIL 21, 2009
VICE PRESIDENT		38-1945157		ADDRESS CHANGES TO BE NOTED ABOVE	

WHEN RESPONDING TO RFQ, INSERT NAME AND ADDRESS IN SPACE ABOVE LABELED 'VENDOR'



State of West Virginia
 Department of Administration
 Purchasing Division
 2019 Washington Street East
 Post Office Box 50130
 Charleston, WV 25305-0130

Request for Quotation

RFQ NUMBER
 MOC26997

PAGE
 2

ADDRESS CORRESPONDENCE TO ATTENTION OF
 JOHN ABBOTT
 304-558-2544

VENDOR

RFQ COPY
 TYPE NAME/ADDRESS HERE
GREAT LAKES HOTEL SUPPLY COMPANY
1961 GRAND RIVER AVE.
DETROIT, MICHIGAN 48226

SHIP TO

DIVISION OF CORRECTIONS
 MOUNT OLIVE CORRECTIONAL
 CENTER
 ONE MOUNTAINSIDE WAY
 MT. OLIVE, WV
 25185 304-442-7216

DATE PRINTED	TERMS OF SALE	SHIP VIA	F.O.B.	FREIGHT TERMS
04/17/2009				

BID OPENING DATE: 04/28/2009 BID OPENING TIME 01:30PM

LINE	QUANTITY	UOP	CAT. NO.	ITEM NUMBER	UNIT PRICE	AMOUNT
------	----------	-----	----------	-------------	------------	--------

CANCELLATION: THE DIRECTOR OF PURCHASING RESERVES THE RIGHT TO CANCEL THIS CONTRACT IMMEDIATELY UPON WRITTEN NOTICE TO THE VENDOR IF THE MATERIALS OR WORKMANSHIP SUPPLIED ARE OF AN INFERIOR QUALITY OR DO NOT CONFORM WITH THE SPECIFICATIONS OF THE BID AND CONTRACT HERE IN.

WAGE RATES: THE CONTRACTOR OR SUBCONTRACTOR SHALL PAY THE HIGHER OF THE U.S. DEPARTMENT OF LABOR MINIMUM WAGE RATES AS ESTABLISHED FOR FAYETTE COUNTY, PURSUANT TO WEST VIRGINIA CODE 21-5A, ET, SEQ. (PREVAILING WAGE RATES APPLY TO THIS PROJECT)

ARBITRATION: ANY REFERENCES MADE TO ARBITRATION OR INTEREST FOR PAYMENTS DUE (EXCEPT FOR ANY INTEREST REQUIRED BY STATE LAW) CONTAINED IN THIS CONTRACT OR IN ANY AMERICAN INSTITUTE OF ARCHITECTS DOCUMENTS PERTAINING TO THIS CONTRACT ARE HEREBY DELETED.

WORKERS' COMPENSATION: VENDOR IS REQUIRED TO PROVIDE A CERTIFICATE FROM WORKERS' COMPENSATION IF SUCCESSFUL.

ALL OF THE ITEMS CHECKED BELOW WILL BE A REQUIREMENT OF THIS CONTRACT:

(XX) INSURANCE: SUCCESSFUL VENDOR SHALL FURNISH PROOF OF COMMERCIAL GENERAL LIABILITY INSURANCE PRIOR TO ISSUANCE OF CONTRACT. UNLESS OTHERWISE SPECIFIED IN THE BID DOCUMENTS, THE MINIMUM AMOUNT OF INSURANCE COVERAGE REQUIRED IS \$250,000.

() BUILDERS RISK INSURANCE: SUCCESSFUL VENDOR SHALL FURNISH PROOF OF BUILDERS RISK - ALL RISK INSURANCE IN AN AMOUNT EQUAL TO 100% OF THE AMOUNT OF THE CONTRACT.

SEE REVERSE SIDE FOR TERMS AND CONDITIONS

SIGNATURE 	TELEPHONE 313-962-9176	DATE APRIL 21, 2009
TITLE VICE PRESIDENT	FEIN 38-1945157	ADDRESS CHANGES TO BE NOTED ABOVE

WHEN RESPONDING TO RFQ, INSERT NAME AND ADDRESS IN SPACE ABOVE LABELED 'VENDOR'



State of West Virginia
 Department of Administration
 Purchasing Division
 2019 Washington Street East
 Post Office Box 50130
 Charleston, WV 25305-0130

Request for Quotation

RFQ NUMBER
MOC26997

PAGE
3

ADDRESS CORRESPONDENCE TO ATTENTION OF:
JOHN ABBOTT
304-558-2544

VENDOR

RFQ COPY
 TYPE NAME/ADDRESS HERE
GREAT LAKES HOTEL SUPPLY COMPANY
1961 GRAND RIVER AVE.
DETROIT, MICHIGAN 48226

SHIP TO

DIVISION OF CORRECTIONS
 MOUNT OLIVE CORRECTIONAL
 CENTER
 ONE MOUNTAINSIDE WAY
 MT. OLIVE, WV
 25185 304-442-7216

DATE PRINTED	TERMS OF SALE	SHIP VIA	F.O.B.	FREIGHT TERMS
04/17/2009				

BID OPENING DATE: 04/28/2009 BID OPENING TIME 01:30PM

LINE	QUANTITY	UOP	CAT. NO.	ITEM NUMBER	UNIT PRICE	AMOUNT
<p>(XX) BONDS: FIVE PERCENT (5%) OF THE TOTAL AMOUNT OF THE BID PAYABLE TO THE STATE OF WEST VIRGINIA, SHALL BE SUBMITTED WITH EACH BID AS A BID BOND. THE SUCCESSFUL BIDDER SHALL ALSO FURNISH A PERFORMANCE BOND AND LABOR/MATERIAL BOND FOR 100% OF THE AMOUNT OF THE CONTRACT. BONDS MAY BE PROVIDED IN THE FORM OF A CERTIFIED CHECK IRREVOCABLE LETTER OF CREDIT, OR BOND FURNISHED BY A SOLVENT SURETY COMPANY AUTHORIZED TO DO BUSINESS IN THE STATE OF WEST VIRGINIA. A LETTER OF CREDIT SUBMITTED IN LIEU OF A BOND WILL ONLY BE ALLOWED FOR PROJECTS UNDER \$100,000. PERSONAL OR BUSINESS CHECKS ARE NOT ACCEPCTABLE IN LIEU OF THE 5% BID BOND, PERFORMANCE BOND, OR LABOR AND MATERIAL BOND.</p> <p>() MAINTENANCE BOND: A TWO (2) YEAR MAINTENANCE BOND COVERING THE ROOFING SYSTEM WILL BE A REQUIREMENT OF THE SUCCESSFUL VENDOR.</p> <p>REV. 11/00</p> <p>EXHIBIT 7</p> <p>DOMESTIC ALUMINUM, GLASS & STEEL IN PUBLIC WORKS PROJECTS</p> <p>IN ACCORDANCE WITH WEST VIRGINIA CODE 5-19-1 ET., SEQ., EVERY CONTRACT FOR CONSTRUCTION, RECONSTRUCTION, ALTERATION, REPAIR, IMPROVEMENT OR MAINTENANCE OF PUBLIC WORKS, WHERE THE COST IS MORE THAN \$50,000 AND, IN THE CASE OF STEEL ONLY, WHERE THE COST OF STEEL IS MORE THAN \$50,000 OR WHERE MORE THAN 10,000 POUNDS OF STEEL ARE REQUIRED, THE STATE WILL ACCEPT ONLY ALUMINUM GLASS, OR STEEL PRODUCTS PRODUCED IN THE UNITED STATES. IN ADDITION, ITEMS OF MACHINERY OR EQUIPMENT PURCHASED FOR USE AT THE SITE OF PUBLIC WORKS SHALL BE MADE OF</p>						

SEE REVERSE SIDE FOR TERMS AND CONDITIONS

SIGNATURE	TELEPHONE	DATE
TITLE	FAX	ADDRESS CHANGES TO BE NOTED ABOVE
VICE PRESIDENT	38-1945157	313-962-9176 APRIL 21, 2009

WHEN RESPONDING TO RFQ, INSERT NAME AND ADDRESS IN SPACE ABOVE LABELED 'VENDOR'



State of West Virginia
 Department of Administration
 Purchasing Division
 2019 Washington Street East
 Post Office Box 50130
 Charleston, WV 25305-0130

Request for Quotation

RFQ NUMBER
 MOC26997

PAGE
 4

ADDRESS CORRESPONDENCE TO ATTENTION OF:
 JOHN ABBOTT
 304-558-2544

VENDOR

RFQ COPY
 TYPE NAME/ADDRESS HERE
GREAT LAKES HOTEL SUPPLY COMPANY
1961 GRAND RIVER AVE.
DETROIT, MICHIGAN 48226

SHIP TO

DIVISION OF CORRECTIONS
 MOUNT OLIVE CORRECTIONAL
 CENTER
 ONE MOUNTAINSIDE WAY
 MT. OLIVE, WV
 25185 304-442-7216

DATE PRINTED	TERMS OF SALE	SHIP VIA	F.O.B.	FREIGHT TERMS
04/17/2009				

BID OPENING DATE: 04/28/2009 BID OPENING TIME 01:30PM

LINE	QUANTITY	UOP	CAT NO	ITEM NUMBER	UNIT PRICE	AMOUNT
<p>DOMESTIC ALUMINUM, GLASS OR STEEL, UNLESS THE COST OF THE PRODUCT IS LESS THAN \$50,000 OR LESS THAN 10,000 POUNDS OF STEEL ARE USED IN PUBLIC WORKS PROJECTS.</p> <p>FOREIGN MADE ALUMINUM, GLASS OR STEEL PRODUCTS MAY BE ACCEPTED ONLY IF THE COST OF DOMESTIC PRODUCTS IS FOUND TO BE UNREASONABLE. SUCH COST IS UNREASONABLE IF IT IS 20% OR MORE HIGHER THAN THE BID PRICE FOR FOREIGN MADE PRODUCTS. IF THE DOMESTIC ALUMINUM, GLASS OR STEEL PRODUCTS TO BE SUPPLIED OR PRODUCED IN A "SUBSTANTIAL LABOR SURPLUS AREA", AS DEFINED BY THE UNITED STATES DEPARTMENT OF LABOR, FOREIGN PRODUCTS MAY BE SUPPLIED ONLY IF DOMESTIC PRODUCTS ARE 30% OR MORE HIGHER IN PRICE THAN THE FOREIGN MADE PRODUCTS.</p> <p>IF, PRIOR TO THE AWARD OF A CONTRACT UNDER THE ABOVE PROVISIONS, THE SPENDING OFFICER OF THE SPENDING UNIT DETERMINES THAT THERE EXISTS A BID FOR LIKE FOREIGN ALUMINUM, GLASS OR STEEL THAT IS REASONABLE AND LOWER THAN THE LOWEST BID DOMESTIC PRODUCTS, THE SPENDING OFFICE MAY REQUEST, IN WRITING, A REEVALUATION AND REDUCTION IN THE LOWEST BID FOR SUCH DOMESTIC PRODUCTS. ALL VENDORS MUST INDICATE IN THEIR BID IF THEY ARE SUPPLYING FOREIGN ALUMINUM, GLASS OR STEEL.</p> <p>REV. 3/88</p> <p>EXHIBIT 9</p> <p>NOTICE FOR ISSUANCE & ACKNOWLEDGEMENT OF CONSTRUCTION PROJECT ADDENDA</p> <p>THE ARCHITECT/ENGINEER AND/OR AGENCY SHALL BE REQUIRED TO ABIDE BY THE FOLLOWING SCHEDULE IN ISSUING CONSTRUCTION PROJECT ADDENDA FOR STATE AGENCIES:</p>						

SEE REVERSE SIDE FOR TERMS AND CONDITIONS

SIGNATURE	TELEPHONE 313-962-9176	DATE APRIL 21, 2009
TITLE VICE PRESIDENT	FEIN 38-1945157	ADDRESS CHANGES TO BE NOTED ABOVE

WHEN RESPONDING TO RFQ, INSERT NAME AND ADDRESS IN SPACE ABOVE LABELED 'VENDOR'



State of West Virginia
 Department of Administration
 Purchasing Division
 2019 Washington Street East
 Post Office Box 50130
 Charleston, WV 25305-0130

Request for Quotation

RFQ NUMBER
MOC26997

PAGE
5

ADDRESS: CORRESPONDENCE TO ATTENTION OF:
JOHN ABBOTT 304-558-2544

VENDOR

RFQ COPY
 TYPE NAME/ADDRESS HERE

GREAT LAKES HOTEL SUPPLY COMPANY
1961 GRAND RIVER AVE.
DETROIT, MICHIGAN 48226

SHIP TO

DIVISION OF CORRECTIONS
MOUNT OLIVE CORRECTIONAL
CENTER
ONE MOUNTAINSIDE WAY
MT. OLIVE, WV
25185 304-442-7216

DATE PRINTED	TERMS OF SALE	SHIP VIA	F.O.B.	FREIGHT TERMS
04/17/2009				

BID OPENING DATE: 04/28/2009 BID OPENING TIME 01:30PM

LINE	QUANTITY	UOP	CAT NO	ITEM NUMBER	UNIT PRICE	AMOUNT
<p>(1) THE ARCHITECT/ENGINEER SHALL PREPARE THE ADDENDUM AND A LIST OF ALL PARTIES THAT HAVE PROCURED DRAWINGS AND SPECIFICATIONS FOR THE PROJECT. THE ADDENDUM AND LIST SHALL BE FORWARDED TO THE BUYER IN THE STATE PURCHASING DIVISION. THE ARCHITECT/ENGINEER SHALL ALSO SEND A COPY OF THE ADDENDUM TO THE STATE AGENCY FOR WHICH THE CONTRACT IS ISSUED.</p> <p>(2) THE BUYER SHALL SEND THE ADDENDUM TO ALL INTERESTED PARTIES AND, IF NECESSARY, EXTEND THE BID OPENING DATE. ANY ADDENDUM SHOULD BE RECEIVED BY THE BUYER WITHIN FOURTEEN (14) DAYS PRIOR TO THE BID OPENING DATE.</p> <p>(3) ALL ADDENDA SHOULD BE FORMALLY ACKNOWLEDGED BY ALL BIDDERS AND SUBMITTED TO THE STATE PURCHASING DIVISION. THE SAME RULES AND REGULATIONS THAT APPLY TO THE ORIGINAL BIDDING DOCUMENT SHALL ALSO APPLY TO AN ADDENDUM DOCUMENT. THE ONLY EXCEPTION MAY BE FOR AN ADDENDUM THAT IS ISSUED FOR THE SOLE PURPOSE OF CHANGING A BID OPENING TIME AND/OR DATE.</p> <p>REV. 11/96</p> <p>EXHIBIT 10</p> <p>ADDENDUM ACKNOWLEDGEMENT</p> <p>I HEREBY ACKNOWLEDGE RECEIPT OF THE FOLLOWING CHECKED ADDENDUM(S) AND HAVE MADE THE NECESSARY REVISIONS TO MY PROPOSAL, PLANS AND/OR SPECIFICATION, ETC.</p> <p>ADDENDUM NOS. :</p>						

SEE REVERSE SIDE FOR TERMS AND CONDITIONS

SIGNATURE	TELEPHONE 313-962-9176	DATE APRIL 21, 2009
TITLE VICE PRESIDENT	FAX 38-1945157	ADDRESS CHANGES TO BE NOTED ABOVE

WHEN RESPONDING TO RFQ, INSERT NAME AND ADDRESS IN SPACE ABOVE LABELED 'VENDOR'



State of West Virginia
 Department of Administration
 Purchasing Division
 2019 Washington Street East
 Post Office Box 50130
 Charleston, WV 25305-0130

Request for Quotation

RFQ NUMBER
MOC26997

PAGE
6

ADDRESS CORRESPONDENCE TO ATTENTION OF:
JOHN ABBOTT 304-558-2544

VENDOR

RFQ COPY
 TYPE NAME/ADDRESS HERE
GREAT LAKES HOTEL SUPPLY COMPANY
1961 GRAND RIVER AVE.
DETROIT, MICHIGAN 48226

SHIP TO

DIVISION OF CORRECTIONS
 MOUNT OLIVE CORRECTIONAL
 CENTER
 ONE MOUNTAINSIDE WAY
 MT. OLIVE, WV
 25185 304-442-7216

DATE PRINTED	TERMS OF SALE	SHIP VIA	F.O.B.	FREIGHT TERMS
04/17/2009				

BID OPENING DATE: 04/28/2009 BID OPENING TIME 01:30PM

LINE	QUANTITY	UOP	CAT NO	ITEM NUMBER	UNIT PRICE	AMOUNT
NO. 1						
NO. 2						
NO. 3						
NO. 4						
NO. 5						

RECEIVED 4/17/09

I UNDERSTAND THAT FAILURE TO CONFIRM THE RECEIPT OF THE ADDENDUM(S) MAY BE CAUSE FOR REJECTION OF THE BIDS.

VENDOR MUST CLEARLY UNDERSTAND THAT ANY VERBAL REPRESENTATION MADE OR ASSUMED TO BE MADE DURING ANY ORAL DISCUSSION HELD BETWEEN VENDOR'S REPRESENTATIVES AND ANY STATE PERSONNEL IS NOT BINDING. ONLY THE INFORMATION ISSUED IN WRITING AND ADDED TO THE SPECIFICATIONS BY AN OFFICIAL ADDENDUM IS BINDING.

.....SIGNATURE

GREAT LAKES HOTEL SUPPLY COMPANYCOMPANY

APRIL 21, 2009DATE

REV. 11/96

APPLICABLE LAW

THE WEST VIRGINIA STATE CODE, PURCHASING DIVISION RULES AND REGULATIONS, AND THE INFORMATION PROVIDED IN THE "REQUEST FOR QUOTATION" ISSUED BY THE PURCHASING

SIGNATURE	TELEPHONE 313-962-9176	DATE APRIL 21, 2009
TITLE VICE PRESIDENT	FEIN 38-1945157	ADDRESS CHANGES TO BE NOTED ABOVE

WHEN RESPONDING TO RFQ, INSERT NAME AND ADDRESS IN SPACE ABOVE LABELED 'VENDOR'



State of West Virginia
 Department of Administration
 Purchasing Division
 2019 Washington Street East
 Post Office Box 50130
 Charleston, WV 25305-0130

Request for Quotation

RFQ NUMBER
MOC26997

PAGE
7

ADDRESS CORRESPONDENCE TO ATTENTION OF
JOHN ABBOTT 304-558-2544

VENDOR

RFQ COPY
 TYPE NAME/ADDRESS HERE
GREAT LAKES HOTEL SUPPLY COMPANY
1961 GRAND RIVER AVE.
DETROIT, MICHIGAN 48226

SHIP TO

DIVISION OF CORRECTIONS
MOUNT OLIVE CORRECTIONAL
CENTER
ONE MOUNTAINSIDE WAY
MT. OLIVE, WV
25185 304-442-7216

DATE PRINTED	TERMS OF SALE	SHIP VIA	F.O.B.	FREIGHT TERMS
04/17/2009				

BID OPENING DATE: 04/28/2009 BID OPENING TIME 01:30PM

LINE	QUANTITY	UOP	CAT NO	ITEM NUMBER	UNIT PRICE	AMOUNT
DIVISION IS THE SOLE AUTHORITY GOVERNING THIS PROCUREMENT.						
***** THIS IS THE END OF RFQ MOC26997 ***** TOTAL:						<u>76,330.00</u>

SEE REVERSE SIDE FOR TERMS AND CONDITIONS			
SIGNATURE	TELEPHONE	DATE	
	313-962-9176	APRIL 21, 2009	
TITLE	FEIN	ADDRESS CHANGES TO BE NOTED ABOVE	
VICE PRESIDENT	38-1945157		

WHEN RESPONDING TO RFQ, INSERT NAME AND ADDRESS IN SPACE ABOVE LABELED 'VENDOR'



STEAMCRAFT® GENERATOR STYLE HIGH SPEED CONVECTION STEAMERS

Project _____
Item _____
Quantity _____
FCSI Section _____
Approval _____
Date _____

SteamCraft® Gemini™ 6 SHORT SERIES PRESSURELESS STEAMER, TWIN, INDEPENDENT GAS-FIRED GENERATORS

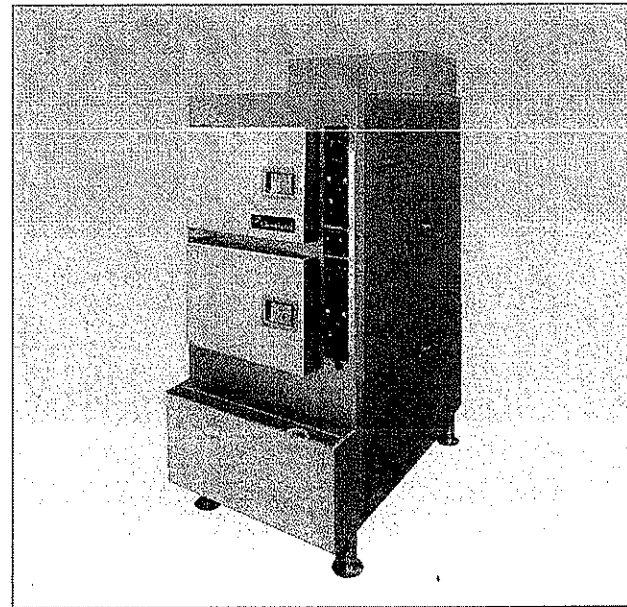
MODEL: 24CGA6.2S

Cleveland Standard Features

- 54.5" (1385mm) height to top of upper compartment (lower height makes maintenance easier by lowering the descaling ports)
- Each compartment has cooking capacity for 3 each 12" x 20" x 2½" Steam Table Pans
- Doors hinged left and the controls on the right
- High efficiency independent Power Burner Steam Generators 50,000 BTU's for each compartment
- Each steam-cooking compartment is independently operated and controlled by a separate stainless steel steam generator, gas valve, Power On/Off Control Levers and a Exclusive, Remote Probe-Type Water Level Control
- Easy Access Cleaning Port: Each generator has a delimiting port located on the outside, top of the unit
- Generator Cleaning Light for each compartment warns the operator to delime generator
- Generator Steam Standby Mode: Holds generator at a steaming temperature, allows unit to start cooking quickly
- Each compartment has one, 60-Minute Electro-Mechanical Timer with "SureCook" load compensating feature. Manual Bypass Switch for constant steaming.
- Durable 14 Gauge, 304 Stainless Steel construction for compartment door, cooking cavity and steam generator
- **Exclusive Gemini Drain/Power Control System:**
Manual 1/2 inch "Ball Valve" type drain that controls main power On/Off and automatically fills generator (located on the control panel)
- Exclusive Brass Steam Jets distribute steam even throughout cooking compartment
- Easy, Front -Access Generator Controls comes with a pullout drawer for simple servicing of unit
- 6" Stainless Steel Adjustable Legs with Flanged Feet
- Approvals: CSA (AGA, CSA) and U.L./NSF#4
- Compartment Steam Shut-Off Switch when compartment door is opened

Options & Accessories

- Electronic Timer with Compensating Feature (ETC)
- On/Off Steam Switch Controls, no timer (MC)



Short Form Specifications

Cleveland SteamCraft® Gemini™ Model 24CGA6.2S, 54.5" high, Two compartment steamer. Independent steam generators, 50,000 BTU's input per compartment. "SureCook" electro mechanical timer with load compensating feature. Gas valve and water level control system. Exclusive remote probe-type water level controls. Exclusive Brass "Steam Jet" distribution system. Two-piece free-floating compartment door. 14 gauge stainless steel cavity and door. Pullout service drawer for controls and Gemini Drain/Power Control System.

- Propane Gas (PG)
- Dissolve® Descale Solution, 6 one gallon container w/ quart markings (106174)
- Water Filters

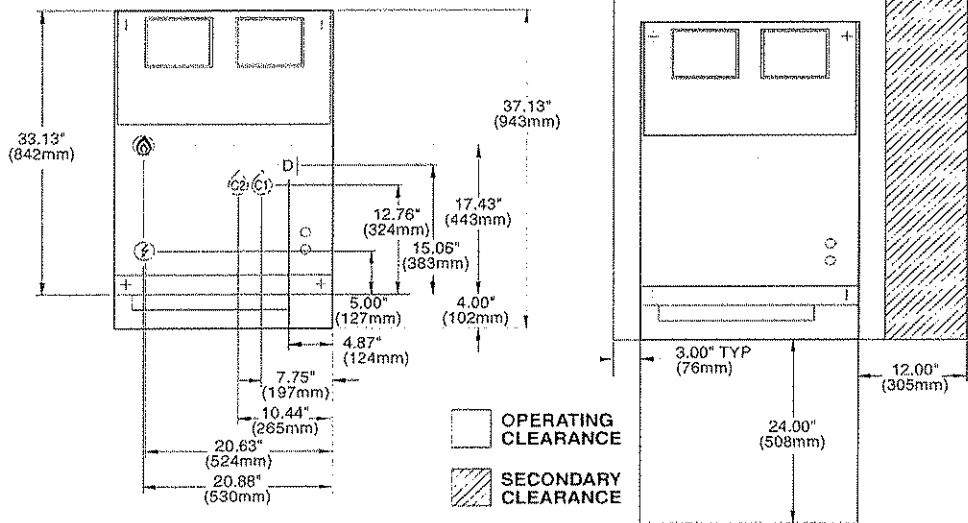
SECT. IV. PAGE 11
1007

1333 East 179 St.,
Cleveland, Ohio, U.S.A. 44110

Tel: 1-216-481-4900
Fax: 1-216-481-3782

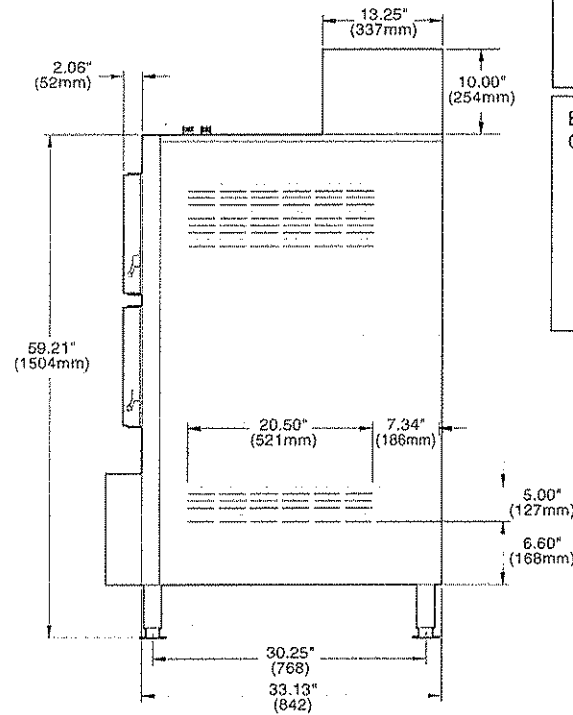
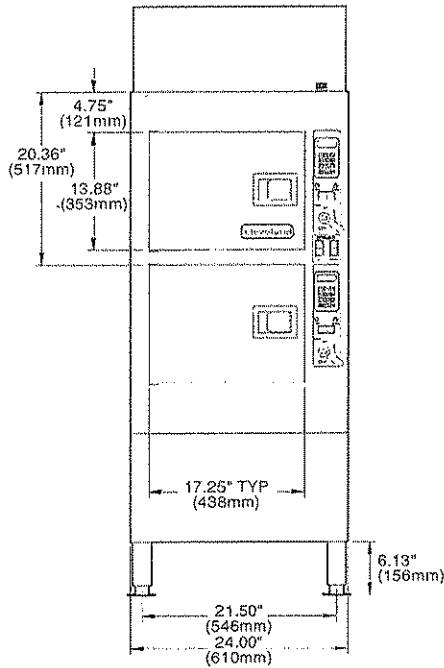
Web Site: www.ClevelandRange.com
Email: Steam@ClevelandRange.com

Enodis



WATER QUALITY REQUIREMENTS

The quality of water varies greatly from region to region. Steam equipment generators must be drained daily and chemically descaled periodically to ensure proper operation. To minimize service problems caused by the accumulation of minerals and chemicals in water review the following quality guidelines with a local water treatment specialist. Inlet water that is beyond these specified guidelines should be treated to achieve these acceptable limits. Total Dissolved Solids less than 60 ppm, Alkalinity less than 20 ppm, Silica less than 13 ppm, pH factor greater than 7.5, Chlorine less than 30 ppm.



Each Compartment has Capacity for:

- Three 2½" x 12" x 20" Steam Table Pans
- Six 1" x 12" x 20" Steam Table Pans
- Two 4" x 12" x 20" Steam Table Pans

GAS			ELECTRIC	COLD WATER	CLEARANCE	DRAINAGE
1½" IPS line size, ¾" connection			120V-1Phase, 60 Hz.	35 psi minimum	Right - 3". Left - 3". Rear - 3"	1½" dia.
NATURAL	PROPANE	BTU	2 Blowers & Controls	60 psi maximum	(12" on control side if adjoining wall or equipment is over 30" high for service access)	Do not connect other units to this drain
Piping ¾" N.P.T.	Piping ¾" N.P.T.	50,000 each	150 watts each	C2 ¾" dia. NPT for Generator		Drain must not be located beneath the steamer itself
Supply pressure	Supply pressure	Generator,	** Do not connect to GFI outlet. See note below.	C1 ¾" dia. NPT for Condenser	Contact factory for variances to clearances.	Preferred floor drain location should be a minimum distance (from the unit) of at least 12" from the left side, 12" from the right side, 6" from the front and 6" from the rear
4.50" W.C. Min.	11.00" W.C. Min.	100,000 total				Do not use PVC pipe
14.00" W.C. Max.	14.00" W.C. Max.					
Manufacturer must be notified if unit will be used above 2,000 feet						

NOTES:
 **DO NOT CONNECT TO GFI OUTLET. CLEVELAND RANGE RECOMMENDS GAS FIRED 120 VOLT STEAMERS BE HARD WIRED DIRECTLY TO ELECTRICAL SYSTEM. Cleveland Range reserves right of design improvement or modification, as warranted. Many regional, state and local codes exist and it is the responsibility of the owner and installer to comply with the codes. Cleveland Range equipment is built to comply with applicable standards for manufacturers. Included among those approval agencies are UL/NSF#4 and CSA (AGA, CGA).

(NOT TO SCALE)
 SECT. IV, PAGE 12
 1007
 Litho in U.S.A.



GAS KETTLES

Project _____
 Item _____
 Quantity _____
 FCSI Section _____
 Approval _____
 Date _____

LEG TYPE, GAS-FIRED KETTLES

TILTING, 2/3 STEAM JACKETED
 "SPASH PROOF SERIES"
 40, 60, or 80 GALLONS (150, 225, or 300 LITERS)

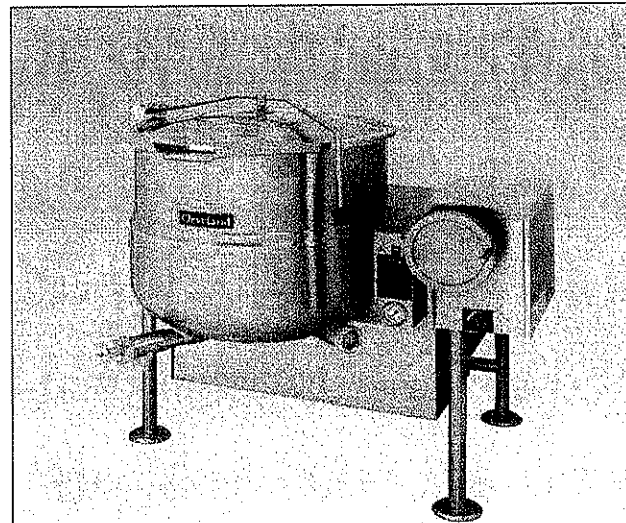
Cleveland Standard Features

- High efficiency Power Burner Heating System (62% to 65% efficiency)
- Fast Heat-up and Recovery Time, 140M BTU's on 40 gallon models, 190M BTU's on 60 gallon and larger
- Insulated Heat Exchanger
- Automatic Ignition System
- Steam Jacket permanently filled with treated, distilled water. Venting and/or refilling not required.
- Solid State Controls, for Temperature and Low Water Safety, in a plug-in Control Module
- Control Panel includes:
 - Precise, consistent temperature control: less than $\pm 1^{\circ}\text{C}$ variance (ideal for simmering).
 - L.E.D. Indicators for Heat Cycle and Low Water Warning.
 - Power "on/off" Switch
- Front mounted combination Pressure/Vacuum Gauge
- Type 304 Stainless Steel with #4 finish on kettle and supports
- Tilt Mechanism of roller bearings and case hardened self-locking worm and segment gear
- Support Legs with level adjustable feet, flanged for floor bolting
- 50 psi Steam Jacket Rating and Safety Valve
- Standard voltage is 115 volts, 60 Hz, single-phase, supplied with cord and plug
- Standard for natural gas operation
- Typical approvals include AGA, CSA, CE, NSF and ASME

Options & Accessories

- Type 316 Stainless Steel Kettle Liner for high acid food products (316)
- Pan Carrier (PCK)
- Flow Diverter (FD)
- Food Strainer (FS)
- Kettle Markings (KM)
- Cooking Baskets and Tri-Basket Supports (BS and TBS)
- Drain Strainers (DS-)
- Faucet Mounting Bracket (FBKT)
- 2" or 3" diameter Tangent Draw-Off Valve with Drain Strainer (TD2 or TD3*), *TD3 for 60 and 80 gallon only and will raise height of kettle by 5-5/8" (143mm)
- 3" diameter Butterfly Valve (BV3)

MODELS: KGL-40-T KGL-80-T
 KGL-60-T



Shown with optional Spring Assisted Cover and 2" Tangent Draw-Off Valve

Short Form Specifications

Shall be CLEVELAND, Gas-Fired Tilting Kettle, Model KGL- _____ T; _____ gallons, 2/3 Steam Jacketed, Power Burner Heating System, Insulated Heat Exchanger, 50 psi Steam Jacket Rating. Infinite Variable Temperature Control, L.E.D. indicators for Heat Cycle and Low Water Warning, Automatic Ignition System.

- Spring-assisted, hinged, rotatable, domed Stainless Steel Cover (CHS-)
- Hot and Cold Water Faucet with Swing Spout (DPK)
- Kettle Accessory Kit (KAK) includes:
 - Clean-up Brush(CB) 36" Kettle Paddle (KP)
 - 36" Kettle Whip(KW) 36" Kettle Brush (KB)
 - Draw-off Brush (DB) 24 oz. Ladle (KL)
- Automatic Water Meter (GMF or LMF)
- Measuring Strip (MS)
- Option for Propane Gas operation
- Correctional Package
- Heat Deflector Shield (HS001)

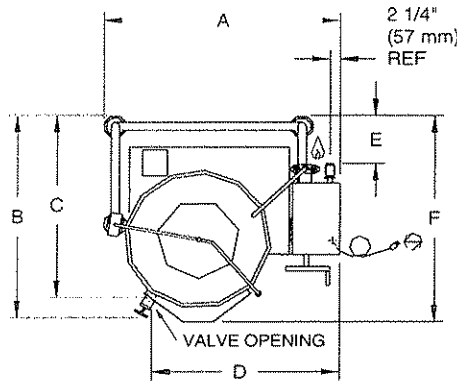
SECT. IX PAGE 7
0707

1333 East 179 St.,
Cleveland, Ohio, U.S.A. 44110

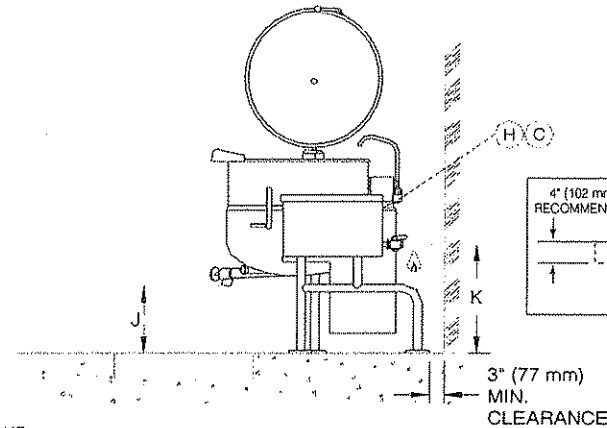
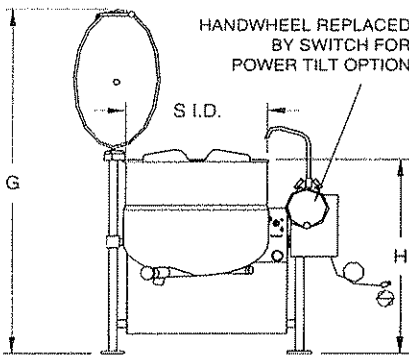
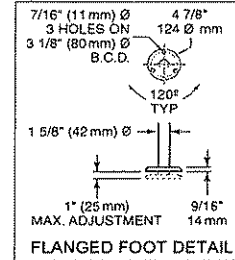
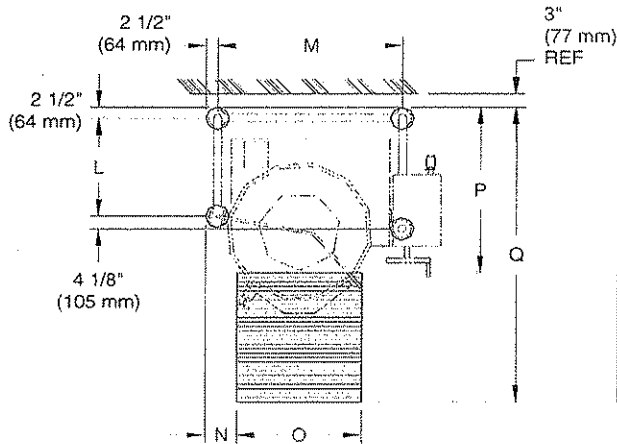
Tel: 1-216-481-4900
Fax: 1-216-481-3782

Web Site: www.ClevelandRange.com
Email: Steam@ClevelandRange.com

Enodis



NOTE: TD3, 3" tangent draw off will raise height of kettle by 5-5/8" (143mm). Available on 60 & 80 gallon models only.



UNIT SHOWN WITH OPTIONAL 2" TANGENT DRAW-OFF VALVE, SPRING ASSIST COVER AND HOT & COLD WATER FAUCET.

CAPACITIES: (in 8 oz. servings, other sizes may be calculated)
 40 Gallon / 150 liters . . . 640 servings
 60 Gallon / 225 liters . . . 960 servings
 80 Gallon / 300 liters . . . 1280 servings

DIMENSIONS

GALS/ LITERS	A	B	C	D	E	F	G	H	J	K	L	M	N	O	P	Q	S.I.D.
40	IN 45 3/4	42 1/2	38	35	9	42 1/4	71	40 1/2	15 1/2	23 1/4	19	35 3/4	4 3/8	24	33	63	26
150	mm 1163	108	966	889	229	1074	1804	1029	394	591	483	909	112	610	839	1601	661
60	IN 49 3/8	46	41 1/2	37	11 3/4	47 1/4	76	43 3/4	15 1/4	24 1/2	22	39 3/8	6	28	37	68	29 1/2
225	mm 1255	1169	1055	940	299	1201	1905	1112	388	623	559	1001	153	712	940	1728	750
80	IN 53	49	44 1/2	39	14 3/4	51	78	44 3/4	14	25	25	43	7	30	40	72	33
300	mm 1347	1245	1131	991	375	1296	1982	1137	356	635	635	1093	178	762	1016	1829	839

GAS			ELECTRIC	WATER	CLEARANCE
NATURAL	PROPANE	B.T.U. RATING	120V-1 Phase, 60 Hz, 10 amps	1/2" dia. Soft Copper Tubing (each) When ordered with optional faucet.	RIGHT = 0" LEFT = 0" REAR = 3" Allow 6" space minimum from rear and sides when located near combustible walls. 12" recommended on right side for service
Piping: 3/4" N.P.T.	Piping: 3/4" N.P.T.	40 gal. 140,000			
Supply pressure: 4.00" W.C. minimum	Supply pressure: 4.00" W.C. minimum	60 gal. 190,000			
14.00" W.C. maximum	14.00" W.C. maximum	100 gal.			

NOTES:

Cleveland Range reserves right of design improvement or modification, as warranted. Many regional, state and local codes exist and it is the responsibility of the owner and installer to comply with the codes. Installation of backflow preventers, vacuum breakers and other specific code requirements is the responsibility of the owner and installer. Cleveland Range equipment is built to comply with applicable standards for manufacturers. Included among those approval agencies are U.L., A.G.A., NSF, ASME/N.Bd., CSA, CGA, ETL and others.



Department of Administration
 Purchasing Division
 2019 Washington Street East
 Post Office Box 50130
 Charleston, WV 25305-0130

Quotation

MOC26997

1

ADDRESS CORRESPONDENCE TO A TENTION OF:

JOHN ABBOTT
 304-558-2544

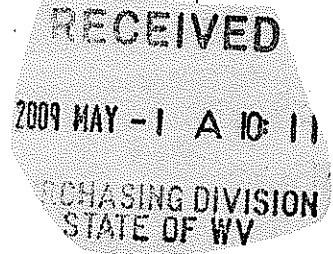
RFO COPY
 DAVID ISRAEL
 GREAT LAKES HOTEL SUPPLY COMPANY
 1961 GRAND RIVER AVENUE
 DETROIT MI 48226

DIVISION OF CORRECTIONS
 MOUNT OLIVE CORRECTIONAL
 CENTER
 ONE MOUNTAINSIDE WAY
 MT. OLIVE, WV
 25185 304-442-7216

DATE PRINTED	TERMS OF SALE	SHIP VIA	ROB	FREIGHT TERMS
04/23/2009				

BID OPENING DATE: 05/05/2009 BID OPENING TIME: 01:30PM

LINE	QUANTITY	UOP	CAT NO	ITEM NUMBER	UNIT PRICE	AMOUNT
ADDENDUM #02						
THIS ADDENDUM IS ISSUED TO CHANGE THE QUANTITY REQUIRED FOR THIS REQUEST FOR QUOTATION; AND TO EXTEND THE BID OPENING FROM 4/28/2009 TO 5/5/2009; 1:30 PM						
VENDORS SHALL QUOTE TWO (2) TILTING KETTLES AND ONE (1) DOUBLE STACK STEAMER, PER THE REVISED ATTACHED BID FORM.						
0001				165-85		SEE NEXT PAGE
						STEAM COOKERS
***** THIS IS THE END OF RFQ MOC26997 *****						TOTAL: 76,330.00



SEE REVERSE SIDE FOR TERMS AND CONDITIONS			
SIGNATURE	TELEPHONE	DATE	
<i>David Israel</i>	313-962-9176	4/27/09	
TITLE	FAX	ADDRESS CHANGES TO BE NOTED ABOVE	
VICE PRESIDENT	38-1945157		

WHEN RESPONDING TO RFQ, INSERT NAME AND ADDRESS IN SPACE ABOVE LABELED 'VENDOR'

MOC26997 - Commercial Kitchen Equipment - BID FORM

Description	Order Qty.	Extended Price
Double Stack Convection Steamer	1	\$ 27,820.00
Tilting Kettle	2	\$ 24,225.00 EA.
		\$ 76,330.00

48,510.00

Bidder / Vendor Information:

Name: GREAT LAKES HOTEL SUPPLY COMPANY

Address: 1961 GRAND RIVER AVE.

DETROIT, MICHIGAN 48226

Phone#: 313-962-9176

Email Address: DAVID@GLHSCO.COM

Revised 4/23/2009



State of West Virginia
 Department of Administration
 Purchasing Division
 2019 Washington Street East
 Post Office Box 50130
 Charleston, WV 25305-0130

Request for Quotation

RFQ NUMBER
 MOC26997

PAGE
 1

ADDRESS CORRESPONDENCE TO ATTENTION OF:
 JOHN ABBOTT
 304-558-2544

VENDOR

RFQ COPY
 DAVID ISRAEL
 GREAT LAKES HOTEL SUPPLY COMPANY
 1961 GRAND RIVER AVENUE
 DETROIT MI 48226

SHIP TO

DIVISION OF CORRECTIONS
 MOUNT OLIVE CORRECTIONAL
 CENTER
 ONE MOUNTAINSIDE WAY
 MT. OLIVE, WV
 25185 304-442-7216

DATE PRINTED	TERMS OF SALE	SHIP VIA	F.O.B.	FREIGHT TERMS
04/24/2009				

BID OPENING DATE: 05/05/2009	BID OPENING TIME: 01:30PM
------------------------------	---------------------------

LINE	QUANTITY	UOP	CAT NO.	ITEM NUMBER	UNIT PRICE	AMOUNT
1001				165-85		
<p>ADDENDUM #03</p> <p>THIS ADDENDUM IS ISSUED TO ADD THE DRUG FREE COMPLIANCE AFFIDAVIT, WHICH IS REQUIRED WITH THE BID. FAILURE TO RETURN THIS EXECUTED FORM WITH YOUR BID IS AUTOMATIC DISQUALIFICATION.</p> <p>ATTACHMENT: DRUG FREE COMPLIANCE AFFIDAVIT</p> <p>ALL ELECTRICAL, GAS, WATER, STEAM CONNECTIONS MUST BE WITHIN FIVE FEET OF NEW EQUIPMENT. ANY UPGRADING CHARGES ARE BY OTHER TRADES.</p>						
						<p>RECEIVED</p> <p>2009 APR 30 AM 9:41</p> <p>WV PURCHASING DIVISION</p>
***** THIS IS THE END OF RFQ MOC26997 *****						TOTAL: <u>76,330.00</u>

SEE REVERSE SIDE FOR TERMS AND CONDITIONS

SIGNATURE <i>David Israel</i>	TELEPHONE 313-962-9176	DATE 4-28-09
TITLE Vice President	FEIN 38-1945157	ADDRESS CHANGES TO BE NOTED ABOVE

WHEN RESPONDING TO RFQ, INSERT NAME AND ADDRESS IN SPACE ABOVE LABELED 'VENDOR'



State of West Virginia
DRUG FREE WORKPLACE CONFORMANCE AFFIDAVIT
West Virginia Code §21-1D-5

STATE OF MICHIGAN

COUNTY OF WAYNE, TO-WIT:

I, DAVID ISRAEL, after being first duly sworn, depose and state as follows:

- 1. I am an employee of GREAT LAKES HOTEL SUPPLY COMPANY; and,
(Company Name)
- 2. I do hereby attest that GREAT LAKES HOTEL SUPPLY COMPANY
(Company Name)

maintains a valid written drug free workplace policy and that such policy is in compliance with **West Virginia Code §21-1D-5**.

The above statements are sworn to under the penalty of perjury.

GREAT LAKES HOTEL SUPPLY COMPANY
(Company Name)

By: David Israel DAVID ISRAEL

Title: VICE PRESIDENT

Date: APRIL 28, 2009

Taken, subscribed and sworn to before me this 28TH day of APRIL.

By Commission expires 2009

(Seal)

Jason P. Spybrouk
(Notary Public)

THIS AFFIDAVIT MUST BE SUBMITTED WITH THE BID IN ORDER TO COMPLY WITH WV CODE PROVISIONS. FAILURE TO INCLUDE THE AFFIDAVIT WITH THE BID SHALL RESULT IN DISQUALIFICATION OF THE BID.

JASON P. SPYBROOK
Notary Public, Macomb County, Michigan
My Commission Expires August 19, 2013

Rev March 2009