



State of West Virginia  
 Department of Administration  
 Purchasing Division  
 2019 Washington Street East  
 Post Office Box 50130  
 Charleston, WV 25365-0130

# Request for Quotation

RFQ NUMBER  
**DJS010253**

PAGE  
**1**

ADDRESS CORRESPONDENCE TO ATTENTION OF  
**JOHN ABBOTT**  
**304-558-2544**

RFQ COPY  
 TYPE NAME/ADDRESS HERE

**A.S.A.P.**  
 135 Rocky Step Road  
 Scott Depot, WV 25560

**DIVISION OF JUVENILE SERVICES**  
**SECOND FLOOR**  
**1200 QUARRIER STREET**  
**CHARLESTON, WV**  
**25301**      **304-558-6029**

| DATE PRINTED | TERMS OF SALE | SHIP VIA | FOB | FREIGHT TERMS |
|--------------|---------------|----------|-----|---------------|
| 08/13/2008   |               |          |     |               |

BID OPENING DATE: **08/28/2008**      **BID OPENING TIME 01:30PM**

| LINE   | QUANTITY | UOP | CAT NO | ITEM NUMBER | UNIT PRICE | AMOUNT |
|--|----------|-----|--------|-------------|------------|--------|
| 0001   | 1        | LS  |        | 840-84      |            |        |
| <b>VIDEO SURVEILLANCE SYSTEMS</b><br><br><b>OPEN-END CONTRACT TO PROVIDE VIDEO SURVEILLANCE EQUIPMENT TO THE WEST VIRGINIA DIVISION OF JUVENILE SERVICES, PER THE SPECIFICATIONS.</b><br><br><b>EXHIBIT 4</b><br><br><b>LOCAL GOVERNMENT BODIES: UNLESS THE VENDOR INDICATES IN THE BID HIS REFUSAL TO EXTEND THE PRICES, TERMS, AND CONDITIONS OF THE BID TO COUNTY, SCHOOL, MUNICIPAL AND OTHER LOCAL GOVERNMENT BODIES, THE BID SHALL EXTEN TO POLITICAL SUBDIVISIONS OF THE STATE OF WEST VIRGINIA. IF THE VENDOR DOES NOT WISH TO EXTEND THE PRICES, TERMS, AND CONDITIONS OF THE BID TO ALL POLITICAL SUBDIVISIONS OF THE STATE, THE VENDOR MUST CLEARLY INDICATE SUCH REFUSAL IN HIS BID. SUCH REFUSAL SHALL NOT PREJUDICE THE AWARD OF THIS CONTRACT IN ANY MANNER.</b><br><br><b>REV. 3/88</b><br><br><b>EXHIBIT 3</b><br><br><b>LIFE OF CONTRACT: THIS CONTRACT BECOMES EFFECTIVE ON ..... AND EXTENDS FOR A PERIOD OF ONE (1) YEAR OR UNTIL SUCH "REASONABLE TIME" THEREAFTER AS IS NECESSARY TO OBTAIN A NEW CONTRACT OR RENEW THE ORIGINAL CONTRACT. THE "REASONABLE TIME" PERIOD SHALL NOT EXCEED TWELVE (12) MONTHS. DURING THIS "REASONABL</b> |          |     |        |             |            |        |

**RECEIVED**  
**2008 AUG 28 P 1:10**  
**PURCHASING DIVISION**  
**STATE OF WV**

SEE REVERSE SIDE FOR TERMS AND CONDITIONS

|                                 |                           |                                   |
|---------------------------------|---------------------------|-----------------------------------|
| SIGNATURE<br><i>[Signature]</i> | TELEPHONE<br>304-757-6471 | DATE<br>8-28-08                   |
| TITLE<br>PRES                   | FEIN<br>55-0739873        | ADDRESS CHANGES TO BE NOTED ABOVE |

WHEN RESPONDING TO RFQ, INSERT NAME AND ADDRESS IN SPACE ABOVE LABELED 'VENDOR'

**GENERAL TERMS & CONDITIONS**  
**REQUEST FOR QUOTATION (RFQ) AND REQUEST FOR PROPOSAL (RFP)**

1. Awards will be made in the best interest of the State of West Virginia.
2. The State may accept or reject in part, or in whole, any bid.
3. All quotations are governed by the *West Virginia Code* and the *Legislative Rules* of the Purchasing Division.
4. Prior to any award, the apparent successful vendor must be properly registered with the Purchasing Division and have paid the required \$125 fee.
5. All services performed or goods delivered under State Purchase Order/Contracts are to be continued for the term of the Purchase Order/Contracts, contingent upon funds being appropriated by the Legislature or otherwise being made available. In the event funds are not appropriated or otherwise available for these services or goods, this Purchase Order/Contract becomes void and of no effect after June 30.
6. Payment may only be made after the delivery and acceptance of goods or services.
7. Interest may be paid for late payment in accordance with the *West Virginia Code*.
8. Vendor preference will be granted upon written request in accordance with the *West Virginia Code*.
9. The State of West Virginia is exempt from federal and state taxes and will not pay or reimburse such taxes.
10. The Director of Purchasing may cancel any Purchase Order/Contract upon 30 days written notice to the seller.
11. The laws of the State of West Virginia and the *Legislative Rules* of the Purchasing Division shall govern all rights and duties under the Contract, including without limitation the validity of this Purchase Order/Contract.
12. Any reference to automatic renewal is hereby deleted. The Contract may be renewed only upon mutual written agreement of the parties.
13. **BANKRUPTCY:** In the event the vendor/contractor files for bankruptcy protection, this Contract may be deemed null and void, and terminated without further order.
14. **HIPAA BUSINESS ASSOCIATE ADDENDUM:** The West Virginia State Government HIPAA Business Associate Addendum (BAA), approved by the Attorney General, and available online at the Purchasing Division's web site (<http://www.state.wv.us/admin/purchase/vrc/hipaa.htm>) is hereby made part of the agreement. Provided that, the Agency meets the definition of a Cover Entity (45 CFR §160.103) and will be disclosing Protected Health Information (45 CFR §160.103) to the vendor.
15. **WEST VIRGINIA ALCOHOL & DRUG-FREE WORKPLACE ACT:** If this Contract constitutes a public improvement construction contract as set forth in Article 1D, Chapter 21 of the West Virginia Code ("The West Virginia Alcohol and Drug-Free Workplace Act"), then the following language shall hereby become part of this Contract: "The contractor and its subcontractors shall implement and maintain a written drug-free workplace policy in compliance with the West Virginia Alcohol and Drug-Free Workplace Act, as set forth in Article 1D, Chapter 21 of the West Virginia Code. The contractor and its subcontractors shall provide a sworn statement in writing, under the penalties of perjury, that they maintain a valid drug-free work place policy in compliance with the West Virginia and Drug-Free Workplace Act. It is understood and agreed that this Contract shall be cancelled by the awarding authority if the Contractor: 1) Fails to implement its drug-free workplace policy; 2) Fails to provide information regarding implementation of the contractor's drug-free workplace policy at the request of the public authority; or 3) Provides to the public authority false information regarding the contractor's drug-free workplace policy."

---

**INSTRUCTIONS TO BIDDERS**

1. Use the quotation forms provided by the Purchasing Division.
2. **SPECIFICATIONS:** Items offered must be in compliance with the specifications. Any deviation from the specifications must be clearly indicated by the bidder. Alternates offered by the bidder as **EQUAL** to the specifications must be clearly defined. A bidder offering an alternate should attach complete specifications and literature to the bid. The Purchasing Division may waive minor deviations to specifications.
3. Complete all sections of the quotation form.
4. Unit prices shall prevail in case of discrepancy.
5. All quotations are considered F.O.B. destination unless alternate shipping terms are clearly identified in the quotation.
6. **BID SUBMISSION:** All quotations must be delivered by the bidder to the office listed below prior to the date and time of the bid opening. Failure of the bidder to deliver the quotations on time will result in bid disqualifications: Department of Administration, Purchasing Division, 2019 Washington Street East, P.O. Box 50130, Charleston, WV 25305-0130



State of West Virginia  
 Department of Administration  
 Purchasing Division  
 2019 Washington Street East  
 Post Office Box 50130  
 Charleston, WV 25305-0130

# Request for Quotation

RFQ NUMBER  
**DJS010253**

PAGE  
**2**

ADDRESS CORRESPONDENCE TO ATTENTION OF  
**JOHN ABBOTT**  
**304-558-2544**

VENDOR

RFQ COPY  
 TYPE NAME/ADDRESS HERE

SHIP TO

DIVISION OF JUVENILE SERVICES  
 SECOND FLOOR  
 1200 QUARRIER STREET  
 CHARLESTON, WV  
 25301 304-558-6029

| DATE PRINTED | TERMS OF SALE | SHIP VIA | F.O.B. | FREIGHT TERMS |
|--------------|---------------|----------|--------|---------------|
| 08/13/2008   |               |          |        |               |

BID OPENING DATE: **08/28/2008** BID OPENING TIME **01:30PM**

| LINE   | QUANTITY | UOP | CAT NO | ITEM NUMBER | UNIT PRICE | AMOUNT |
|--|----------|-----|--------|-------------|------------|--------|
| <p>TIME" THE VENDOR MAY TERMINATE THIS CONTRACT FOR ANY REASON UPON GIVING THE DIRECTOR OF PURCHASING 30 DAYS WRITTEN NOTICE.</p> <p>UNLESS SPECIFIC PROVISIONS ARE STIPULATED ELSEWHERE IN THIS CONTRACT DOCUMENT, THE TERMS, CONDITIONS AND PRICING SET HEREIN ARE FIRM FOR THE LIFE OF THE CONTRACT.</p> <p>RENEWAL: THIS CONTRACT MAY BE RENEWED UPON THE MUTUAL WRITTEN CONSENT OF THE SPENDING UNIT AND VENDOR, SUBMITTED TO THE DIRECTOR OF PURCHASING THIRTY (30) DAYS PRIOR TO THE EXPIRATION DATE. SUCH RENEWAL SHALL BE IN ACCORDANCE WITH THE TERMS AND CONDITIONS OF THE ORIGINAL CONTRACT AND SHALL BE LIMITED TO TWO (2) ONE (1) YEAR PERIODS.</p> <p>CANCELLATION: THE DIRECTOR OF PURCHASING RESERVES THE RIGHT TO CANCEL THIS CONTRACT IMMEDIATELY UPON WRITTEN NOTICE TO THE VENDOR IF THE COMMODITIES AND/OR SERVICES SUPPLIED ARE OF AN INFERIOR QUALITY OR DO NOT CONFORM TO THE SPECIFICATIONS OF THE BID AND CONTRACT HEREIN.</p> <p>OPEN MARKET CLAUSE: THE DIRECTOR OF PURCHASING MAY AUTHORIZE A SPENDING UNIT TO PURCHASE ON THE OPEN MARKET, WITHOUT THE FILING OF A REQUISITION OR COST ESTIMATE, ITEMS SPECIFIED ON THIS CONTRACT FOR IMMEDIATE DELIVERY IN EMERGENCIES DUE TO UNFORESEEN CAUSES (INCLUDING BUT NOT LIMITED TO DELAYS IN TRANSPORTATION OR AN UNANTICIPATED INCREASE IN THE VOLUME OF WORK.)</p> <p>QUANTITIES: QUANTITIES LISTED IN THE REQUISITION ARE APPROXIMATIONS ONLY, BASED ON ESTIMATES SUPPLIED BY THE STATE SPENDING UNIT. IT IS UNDERSTOOD AND AGREED THAT THE CONTRACT SHALL COVER THE QUANTITIES ACTUALLY</p> |          |     |        |             |            |        |

SEE REVERSE SIDE FOR TERMS AND CONDITIONS

|                                 |                                 |                                   |
|---------------------------------|---------------------------------|-----------------------------------|
| SIGNATURE<br><i>[Signature]</i> | TELEPHONE<br><b>304 7576971</b> | DATE<br><b>8/28/08</b>            |
| TITLE<br><b>FRES</b>            | FERN<br><b>55-0739873</b>       | ADDRESS CHANGES TO BE NOTED ABOVE |

WHEN RESPONDING TO RFQ, INSERT NAME AND ADDRESS IN SPACE ABOVE LABELED 'VENDOR'



State of West Virginia  
 Department of Administration  
 Purchasing Division  
 2019 Washington Street East  
 Post Office Box 50130  
 Charleston, WV 25305-0130

# Request for Quotation

RFQ NUMBER  
**DJS010253**

PAGE  
**3**

ADDRESS CORRESPONDENCE TO ATTENTION OF  
**JOHN ABBOTT**  
**304-558-2544**

RFQ COPY  
 TYPE NAME/ADDRESS HERE

DIVISION OF JUVENILE SERVICES

SECOND FLOOR  
 1200 QUARRIER STREET  
 CHARLESTON, WV  
 25301 304-558-6029

| DATE PRINTED | TERMS OF SALE | SHIP VIA | FOB | FREIGHT TERMS |
|--------------|---------------|----------|-----|---------------|
| 08/13/2008   |               |          |     |               |

BID OPENING DATE: **08/28/2008** BID OPENING TIME **01:30PM**

| LINE  | QUANTITY | UOP | CAT NO | ITEM NUMBER | UNIT PRICE | AMOUNT |
|---|----------|-----|--------|-------------|------------|--------|
| <p>ORDERED FOR DELIVERY DURING THE TERM OF THE CONTRACT, WHETHER MORE OR LESS THAN THE QUANTITIES SHOWN.</p> <p>ORDERING PROCEDURE: SPENDING UNIT(S) SHALL ISSUE A WRITTEN STATE CONTRACT ORDER (FORM NUMBER WV-39) TO THE VENDOR FOR COMMODITIES COVERED BY THIS CONTRACT. THE ORIGINAL COPY OF THE WV-39 SHALL BE MAILED TO THE VENDOR AS AUTHORIZATION FOR SHIPMENT, A SECOND COPY MAILED TO THE PURCHASING DIVISION, AND A THIRD COPY RETAINED BY THE SPENDING UNIT.</p> <p>BANKRUPTCY: IN THE EVENT THE VENDOR/CONTRACTOR FILES FOR BANKRUPTCY PROTECTION, THIS CONTRACT IS AUTOMATICALLY NULL AND VOID, AND IS TERMINATED WITHOUT FURTHER ORDER.</p> <p>THE TERMS AND CONDITIONS CONTAINED IN THIS CONTRACT SHALL SUPERSEDE ANY AND ALL SUBSEQUENT TERMS AND CONDITIONS WHICH MAY APPEAR ON ANY ATTACHED PRINTED DOCUMENTS SUCH AS PRICE LISTS, ORDER FORMS, SALES AGREEMENTS OR MAINTENANCE AGREEMENTS, INCLUDING ANY ELECTRONIC MEDIUM SUCH AS CD-ROM.</p> <p>REV. 04/11/2001</p> <p>VENDOR PREFERENCE CERTIFICATE</p> <p>CERTIFICATION AND APPLICATION* IS HEREBY MADE FOR PREFERENCE IN ACCORDANCE WITH WEST VIRGINIA CODE, 5A-3-37 (DOES NOT APPLY TO CONSTRUCTION CONTRACTS).</p> <p>A. APPLICATION IS MADE FOR 2.5% PREFERENCE FOR THE REASON CHECKED:</p> <p>( ) BIDDER IS AN INDIVIDUAL RESIDENT VENDOR AND HAS RESIDED CONTINUOUSLY IN WEST VIRGINIA FOR FOUR</p> |          |     |        |             |            |        |

SEE REVERSE SIDE FOR TERMS AND CONDITIONS

|                                 |                                 |                                   |
|---------------------------------|---------------------------------|-----------------------------------|
| SIGNATURE<br><i>[Signature]</i> | TELEPHONE<br><b>304 7576971</b> | DATE<br><b>8/28/08</b>            |
| TITLE<br><b>PRES</b>            | FEIN<br><b>55-0739873</b>       | ADDRESS CHANGES TO BE NOTED ABOVE |

WHEN RESPONDING TO RFQ, INSERT NAME AND ADDRESS IN SPACE ABOVE LABELED 'VENDOR'



State of West Virginia  
 Department of Administration  
 Purchasing Division  
 2019 Washington Street East  
 Post Office Box 50130  
 Charleston, WV 25305-0130

# Request for Quotation

RFQ NUMBER:  
**DJS010253**

PAGE:  
**4**

ADDRESS CORRESPONDENCE TO ATTENTION OF:  
**JOHN ABBOTT**  
**304-558-2544**

RFQ COPY  
 TYPE NAME/ADDRESS HERE

DIVISION OF JUVENILE SERVICES  
 SECOND FLOOR  
 1200 QUARRIER STREET  
 CHARLESTON, WV  
 25301 304-558-6029

| DATE PRINTED                 | TERMS OF SALE | SHIP VIA                 | FOB | FREIGHT TERMS |
|------------------------------|---------------|--------------------------|-----|---------------|
| 08/13/2008                   |               |                          |     |               |
| BID OPENING DATE: 08/28/2008 |               | BID OPENING TIME 01:30PM |     |               |

| LINE   | QUANTITY | UOP | CAT NO | ITEM NUMBER | UNIT PRICE | AMOUNT |
|--|----------|-----|--------|-------------|------------|--------|
|  |          |     |        |             |            |        |
| <p>(4) YEARS IMMEDIATELY PRECEDING THE DATE OF THIS CERTIFICATION; OR</p> <p><input checked="" type="checkbox"/> BIDDER IS A PARTNERSHIP, ASSOCIATION OR CORPORATION RESIDENT VENDOR AND HAS MAINTAINED ITS HEAD-QUARTERS OR PRINCIPAL PLACE OF BUSINESS CONTINUOUSLY IN WEST VIRGINIA FOR FOUR (4) YEARS IMMEDIATELY PRECEDING THE DATE OF THIS CERTIFICATION; OR 80% OF THE OWNERSHIP INTEREST OF BIDDER IS HELD BY ANOTHER INDIVIDUAL, PARTNERSHIP, ASSOCIATION OR CORPORATION RESIDENT VENDOR WHO HAS MAINTAINED ITS HEADQUARTERS OR PRINCIPAL PLACE OF BUSINESS CONTINUOUSLY IN WEST VIRGINIA FOR FOUR (4) YEARS IMMEDIATELY PRECEDING THE DATE OF THIS CERTIFICATION; OR</p> <p>( ) BIDDER IS A CORPORATION NONRESIDENT VENDOR WHICH HAS AN AFFILIATE OR SUBSIDIARY WHICH EMPLOYS A MINIMUM OF ONE HUNDRED STATE RESIDENTS AND WHICH HAS MAINTAINED ITS HEADQUARTERS OR PRINCIPAL PLACE OF BUSINESS WITHIN WEST VIRGINIA CONTINUOUSLY FOR THE FOUR (4) YEARS IMMEDIATELY PRECEDING THE DATE OF THIS CERTIFICATION.</p> <p>B. APPLICATION IS MADE FOR 2.5% PREFERENCE FOR THE REASON CHECKED:</p> <p><input checked="" type="checkbox"/> BIDDER IS A RESIDENT VENDOR WHO CERTIFIES THAT, DURING THE LIFE OF THE CONTRACT, ON AVERAGE AT LEAST 75% OF THE EMPLOYEES WORKING ON THE PROJECT BEING BID ARE RESIDENTS OF WEST VIRGINIA WHO HAVE RESIDED IN THE STATE CONTINUOUSLY FOR THE TWO YEARS IMMEDIATELY PRECEDING SUBMISSION OF THIS BID;</p> <p>OR</p> <p>( ) BIDDER IS A NONRESIDENT VENDOR EMPLOYING A MINIMUM OF ONE HUNDRED STATE RESIDENTS OR IS A NONRESIDENT VENDOR WITH AN AFFILIATE OR SUBSIDIARY</p> |          |     |        |             |            |        |

SEE REVERSE SIDE FOR TERMS AND CONDITIONS

SIGNATURE: *[Signature]* TELEPHONE: 304 757 6971 DATE: 8/28/08  
 TITLE: PRES FEIN: 550739873 ADDRESS CHANGES TO BE NOTED ABOVE

WHEN RESPONDING TO RFQ, INSERT NAME AND ADDRESS IN SPACE ABOVE LABELED 'VENDOR'



State of West Virginia  
 Department of Administration  
 Purchasing Division  
 2019 Washington Street East  
 Post Office Box 50130  
 Charleston, WV 25305-0130

# Request for Quotation

RFQ NUMBER  
**DJS010253**

PAGE  
**5**

ADDRESS CORRESPONDENCE TO ATTENTION OF  
**JOHN ABBOTT  
 304-558-2544**

RFQ COPY  
 TYPE NAME/ADDRESS HERE

**DIVISION OF JUVENILE SERVICES  
 SECOND FLOOR  
 1200 QUARRIER STREET  
 CHARLESTON, WV  
 25301 304-558-6029**

|                                   |               |          |        |               |
|-----------------------------------|---------------|----------|--------|---------------|
| DATE PRINTED<br><b>08/13/2008</b> | TERMS OF SALE | SHIP VIA | F.O.B. | FREIGHT TERMS |
|-----------------------------------|---------------|----------|--------|---------------|

BID OPENING DATE: **08/28/2008** BID OPENING TIME **01:30PM**

| LINE   | QUANTITY | UQP | CAT NO | ITEM NUMBER | UNIT PRICE | AMOUNT |
|--|----------|-----|--------|-------------|------------|--------|
|  |          |     |        |             |            |        |
| <p>WHICH MAINTAINS ITS HEADQUARTERS OR PRINCIPAL PLACE OF BUSINESS WITHIN WEST VIRGINIA EMPLOYING A MINIMUM OF ONE HUNDRED STATE RESIDENTS WHO CERTIFIES THAT, DURING THE LIFE OF THE CONTRACT, ON AVERAGE AT LEAST 75% OF THE EMPLOYEES OR BIDDERS' AFFILIATE'S OR SUBSIDIARY'S EMPLOYEES ARE RESIDENTS OF WEST VIRGINIA WHO HAVE RESIDED IN THE STATE CONTINUOUSLY FOR THE TWO YEARS IMMEDIATELY PRECEDING SUBMISSION OF THIS BID.</p> <p>BIDDER UNDERSTANDS IF THE SECRETARY OF TAX &amp; REVENUE DETERMINES THAT A BIDDER RECEIVING PREFERENCE HAS FAILED TO CONTINUE TO MEET THE REQUIREMENTS FOR SUCH PREFERENCE, THE SECRETARY MAY ORDER THE DIRECTOR OF PURCHASING TO: (A) RESCIND THE CONTRACT OR PURCHASE ORDER ISSUED; OR (B) ASSESS A PENALTY AGAINST SUCH BIDDER IN AN AMOUNT NOT TO EXCEED 5% OF THE BID AMOUNT AND THAT SUCH PENALTY WILL BE PAID TO THE CONTRACTING AGENCY OR DEDUCTED FROM ANY UNPAID BALANCE ON THE CONTRACT OR PURCHASE ORDER.</p> <p>BY SUBMISSION OF THIS CERTIFICATE, BIDDER AGREES TO DISCLOSE ANY REASONABLY REQUESTED INFORMATION TO THE PURCHASING DIVISION AND AUTHORIZES THE DEPARTMENT OF TAX AND REVENUE TO DISCLOSE TO THE DIRECTOR OF PURCHASING APPROPRIATE INFORMATION VERIFYING THAT BIDDER HAS PAID THE REQUIRED BUSINESS TAXES, PROVIDED THAT SUCH INFORMATION DOES NOT CONTAIN THE AMOUNTS OF TAXES PAID NOR ANY OTHER INFORMATION DEEMED BY THE TAX COMMISSIONER TO BE CONFIDENTIAL.</p> <p>UNDER PENALTY OF LAW FOR FALSE SWEARING (WEST VIRGINIA CODE 61-5-3), BIDDER HEREBY CERTIFIES THAT THIS CERTIFICATE IS TRUE AND ACCURATE IN ALL RESPECTS; AND THAT IF A CONTRACT IS ISSUED TO BIDDER AND IF ANYTHING CONTAINED WITHIN THIS CERTIFICATE CHANGES DURING THE TERM OF THE CONTRACT, BIDDER WILL NOTIFY THE</p> |          |     |        |             |            |        |

SEE REVERSE SIDE FOR TERMS AND CONDITIONS

SIGNATURE: *[Signature]* TELEPHONE: **3047576971** DATE: **8/28/08**

TITLE: **PLES** FEIN: **55 0739873** ADDRESS CHANGES TO BE NOTED ABOVE

WHEN RESPONDING TO RFQ, INSERT NAME AND ADDRESS IN SPACE ABOVE LABELED 'VENDOR'



State of West Virginia  
 Department of Administration  
 Purchasing Division  
 2019 Washington Street East  
 Post Office Box 50130  
 Charleston, WV 25305-0130

# Request for Quotation

RFQ NUMBER  
**DJS010253**

PAGE  
**6**

ADDRESS CORRESPONDENCE TO ATTENTION OF  
**JOHN ABBOTT**  
**304-558-2544**

RFQ COPY  
 TYPE NAME/ADDRESS HERE

**DIVISION OF JUVENILE SERVICES**  
**SECOND FLOOR**  
**1200 QUARRIER STREET**  
**CHARLESTON, WV**  
**25301**      **304-558-6029**

| DATE PRINTED | TERMS OF SALE | SHIP VIA | F.O.B. | FREIGHT TERMS |
|--------------|---------------|----------|--------|---------------|
| 08/13/2008   |               |          |        |               |

BID OPENING DATE: **08/28/2008**      BID OPENING TIME **01:30PM**

| LINE  | QUANTITY | UQP | CAT NO. | ITEM NUMBER | UNIT PRICE | AMOUNT |
|---|----------|-----|---------|-------------|------------|--------|
| PURCHASING DIVISION IN WRITING IMMEDIATELY.   |          |     |         |             |            |        |
| BIDDER: <i>Appalachian Signals &amp; Products</i>   |          |     |         |             |            |        |
| DATE: <i>8-28-08</i>  |          |     |         |             |            |        |
| SIGNED: <i>Dennis Carney</i>  |          |     |         |             |            |        |
| TITLE: <i>Sales</i>   |          |     |         |             |            |        |
| <p>* CHECK ANY COMBINATION OF PREFERENCE CONSIDERATION(S) IN EITHER "A" OR "B", OR BOTH "A" AND "B" WHICH YOU ARE ENTITLED TO RECEIVE. YOU MAY REQUEST UP TO THE MAXIMUM 5% PREFERENCE FOR BOTH "A" AND "B". (REV. 12/00)</p> <p>NOTICE</p> <p>A SIGNED BID MUST BE SUBMITTED TO:</p> <p>DEPARTMENT OF ADMINISTRATION<br/>         PURCHASING DIVISION<br/>         BUILDING 15<br/>         2019 WASHINGTON STREET, EAST<br/>         CHARLESTON, WV 25305-0130</p> <p>THE BID SHOULD CONTAIN THIS INFORMATION ON THE FACE OF THE ENVELOPE OR THE BID MAY NOT BE CONSIDERED:</p> |          |     |         |             |            |        |

SEE REVERSE SIDE FOR TERMS AND CONDITIONS

|                                 |                                 |                                   |
|---------------------------------|---------------------------------|-----------------------------------|
| SIGNATURE<br><i>[Signature]</i> | TELEPHONE<br><i>304 7576991</i> | DATE<br><i>8/28/08</i>            |
| TITLE<br><i>PRES</i>            | FEBN<br><i>55-0739873</i>       | ADDRESS CHANGES TO BE NOTED ABOVE |

WHEN RESPONDING TO RFQ, INSERT NAME AND ADDRESS IN SPACE ABOVE LABELED 'VENDOR'





West Virginia Division of Juvenile Services  
**DJS010253**  
Video Surveillance Equipment  
Specifications

The following specifications/items will be required for purchase for the West Virginia Division of Juvenile Services. This agency is in the process of outfitting all of our centers with video surveillance equipment, for the safety and security of all residents and staff.

Quotes on the following items are required to be submitted in Unit Pricing. Estimated Order Quantities listed on the bid form are for bidding purposes only; more or less may be purchased. Each facility will be assessed and furnished as needed in the months to come.

Please see specification listing below. All items shall be as named or equal to:

**ITEM NO.**

1. **COLOR VARI-FOCAL MINI DOME CAMERA**  
**ARM ELECTRONICS MODEL C540MDVAI OR EQUIVALENT**  
TYPE .....COLOR  
POWER ..... 12VDC  
FORMAT .....NTSC  
IMAGE PICK-UP ..... 1/3" COLOR CCD  
SYNC SYSTEM .....INTERNAL  
SCANNING SYSTEM ..... 2:1 INTERLACE  
VIDEO OUTPUT ..... BNC, 1 VP-P 75OHMS  
MIN. ILLUMINATION ..... 0.1 LUX  
RESOLUTION.....540 TV LINES  
ELECTRONIC SHUTTER ..... 1/60 – 1/100.000S  
WHITE BALANCE..... AUTO  
LENS .....3.5 MINI LENS  
S/N RATION ..... >48DB  
TEMP ..... 14F – 122F
  
2. **COLOR VARI-FOCAL DAY/NIGHT INFRARED MINI DOME CAMERA**  
**ARM ELECTRONICS MODEL C540MDVAIDNIR OR EQUIVALENT**  
AUTO IRIS LENS..... 4 – 9MM  
POWER ..... 12VDC  
IR RANGE..... 20FT  
FORMAT .....NTSC  
DAY/NIGHT ..... YES  
BACKLIGHT..... YES

9

AGC..... YES  
 SYNC SYSTEM ..... LINE LOCK  
 IMAGE PICKUP ..... 1/3" COLOR CCD  
 SCANNING SYSTEM ..... 2:1 INTERLACE  
 VIDEO OUTPUT ..... BNC, 1 VP-P 76 OHMS  
 MIN. ILLUMINATION ..... 0.1 LUX (BUILT-IN IR ON)  
 RESOLUTION ..... 540 TV LINES  
 ELECTRONIC SHUTTER ..... 1/60 – 1/100.000S  
 WHITE BALANCE ..... YES  
 S/N RATIO ..... >48DB  
 TEMP ..... 14F – 122F

3.

**16 CAMERA 12VCD POWER SUPPLY**

**ARM ELECTRONICS MODEL DCR1681UL OR EQUIVALENT**

AMPERAGE..... 4AMP  
 MAX CURRENT/CHANNEL..... 1500MA

4.

**8 CAMERA 12VDC POWER SUPPLY**

**ARM ELECTRONICS MODEL DCR841UL OR EQUIVALENT**

AMPERAGE..... 4AMP  
 MAX CURRENT/CHANNEL..... 1500MA

5.

**4 CAMERA 12VDC POWER SUPPLY**

**ARM ELECTRONICS MODEL DCR441UL OR EQUIVALENT**

AMPERAGE..... 4AMP  
 MAX CURRENT/CHANNEL..... 1500MA

6.

**4 CHANNEL NETWORKABLE TRIPLEX DVR WITH CD-R/W**

**ARM ELECTRONICS MODEL JDVR4A500CD OR EQUIVALENT**

500 GB HARD DRIVE; 60 FPS RECORDING; PTZ CONTROLS; TRIPLEX OPERATION; NETWORKABLE; JOG SHUTTLE

VIDEO FORMAT..... NTSC  
 RESOLUTION..... 704X240; 360X240 (DUAL MODE)  
 SPLIT SCREEN ..... 1.4  
 ZOOM ..... YES  
 VIDEO INPUT ..... BNC X 4  
 LOOPING ..... YES  
 COMPRESSION ..... JPEG2000

RECORDING SPEED ..... 60 OR 120 FPS (DUAL MODE)  
 STORAGE ..... 1 REMOVABLE;  
 1 INTERNAL HDD AND CD-R/W  
 WEB INTERFACE.....CLIENT SOFTWARE  
 MOTION RECORDING ..... YES  
 ALARM INPUT/OUTPUT ..... 4 IN / 1 OUT  
 PTZ CONTROL..... RS485  
 PASSWORD ..... 1 LEVEL  
 POWER INPUT..... 110 VAC  
 IR REMOTE CONTROL..... INCLUDED

**7. 8 CHANNEL NETWORKABLE TRIPLEX DVR WITH CD/RW  
 ARM ELECTRONICS MODEL JDVR8A500CD OR EQUIVALENT  
 500 GB HARD DRIVE; 120 FPS RECORDING; PTZ CONTROLS; TRIPLEX  
 OPERATION; NETWORKABLE; JOB SHUTTLE**

VIDEO FORMAT.....NTSC  
 RESOLUTION.....704 X 240, 360 X 240 (DUAL MODE)  
 SPLIT SCREEN ..... 1, 4  
 ZOOM ..... YES  
 LOOPING ..... YES  
 VIDEO INPUT ..... BNC X 2  
 COMPRESSION ..... JPEG2000  
 RECORDING SPEED ..... 120 OR 140 (DUAL MODE)  
 ..... FRAMES PER SECOND  
 RECORDING MODE ..... CONTINUOUS MOTION,  
 ..... SCHEDULE, ALARM  
 STORAGE ..... 1 REMOVABLE, 1 INTERNAL  
 ..... HDD AND CD/RW  
 WEB INTERFACE.....CLIENT SOFTWARE  
 MOTION RECORDING ..... YES  
 ALARM INPUT/OUTPUT ..... 4 IN / 1 OUT  
 PTZ CONTROL..... RS485  
 PASSWORD ..... 1 LEVEL  
 POWER INPUT..... 110VAC  
 IR REMOTE CONTROL..... INCLUDED

**8. 16 CHANNEL NETWORKABLE TRIPLEX DVR WITH CD-R/W  
 ARM ELECTRONICS MODEL JDVR16A500CD OR EQUIVALENT  
 500GB HARD DRIVE; 120 FPS RECORDING; PTZ CONTROLS; TRIPLEX  
 OPERATION; NETWORKABLE; JOG SHUTTLE**

VIDEO FORMAT.....NTSC

11 RESOLUTION.....704X240, 360X240 (DUAL MODE)  
 SPLIT SCREEN .....1,4,6,8,9,13,16  
 ZOOM ..... YES  
 LOOPING ..... YES  
 VIDEO NPUT ..... BNC X 16  
 COMPRESSION ..... JPEG2000  
 RECORDING SPEED ..... 120 OR 140 FPS (DUAL MODE)  
 RECORDING MODE ..... CONTINUOUS, MOTION,  
 ..... SCHEDULE, ALARM  
 STORAGE ..... 1 REMOVABLE, 1 INTERNAL  
 ..... HDD AND CD-RW  
 WEB INTERFACE.....CLIENT SOFTWARE  
 MOTION RECORDING ..... YES  
 ALARM INPUT/OUTPUT ..... 4 IN / 1 OUT  
 PTZ CONTROL..... RS485  
 PASSWORD .....KEYLOCK  
 POWER INPUT..... 110VAC  
 IR REMOTE CONTROL..... INCLUDED

9. **COLOR VARI-FOCAL INFRARED BULLET CAMERA**  
**ARM ELECTRONICS MODEL C520BCDNVFIR OR EQUIVALENT**  
 AUTO IRIS LENS..... 4 – 9MM  
 POWER ..... 12VDC  
 IR RANGE..... 49FT  
 DAY/NIGHT ..... YES  
 IMAGE PICKUP ..... 1/3" COLOR CCD  
 SCANNING SYSTEM ..... 2:1 INTERLACE  
 VIDEO OUTPUT ..... BNC, 1 VP-P 76 OHMS  
 MIN. ILLUMINATION .....0.0 LUX (BUILT-IN IR ON)  
 RESOLUTION.....520 TV LINES  
 ELECTRONIC SHUTTER ..... 1/60 – 1/100.000S  
 S/N RATIO ..... >48DB  
 TEMP ..... 24F – 104F  
 INDOOR / OUTDOOR ..... WEATHERPROOF

**BID SUBMISSION WORKSHEET FOR  
DJS 010253  
ALL QUANTITIES ARE ESTIMATES ONLY**

ITEM  
NO.

|    | ESTIMATED<br>QUANTITY | ITEM  | MODEL          | UNIT<br>PRICE | AMOUNT     |
|----|-----------------------|---|----------------|---------------|------------|
| 1. | 90                    | COLOR VARI-FOCAL MINI DOME<br>CAMERA                    | HD-50          | \$ 105.00     | \$9450.00  |
| 2. | 20                    | COLOR VARI-FOCAL DAY/NIGHT<br>INFRARED MINI DOME CAMERA | HD-73          | 223.05        | \$4461.00  |
| 3. | 10                    | 16 CAMERA 12VCD POWER<br>SUPPLY                         | HPTV5-<br>DC16 | 230.50        | \$ 2305.00 |
| 4. | 5                     | 8 CAMERA 12VCD POWER<br>SUPPLY                          | HPTV5-<br>DC08 | 209.53        | \$1047.65  |
| 5. | 5                     | 4 CAMERA 12VCD POWER<br>SUPPLY                          | HPTV3<br>DC04  | 158.65        | \$793.25   |
| 6. | 5                     | 4 CHANNEL NETWORKABLE<br>TRIPLEX DVR WITH CD-R/W        | #RDP4D<br>500  | 1301.25       | \$6506.25  |
| 7. | 5                     | 8 CHANNEL NETWORKABLE<br>TRIPLEX DVR WITH CD-R/W        | #RDP8D<br>500  | 1598.43       | \$7992.15  |
| 8. | 10                    | 16 CHANNEL NETWORKABLE<br>TRIPLEX DVR WITH CD-R/W       | #RHD16D<br>500 | 1713.75       | \$17,137.5 |
| 9. | 20                    | COLOR VARI-FOCAL INFRARED<br>BULLET CAMERA              | HB-73          | 290.61        | \$5912.20  |

TOTAL      \$ 55,505.00

STATE OF WEST VIRGINIA  
Purchasing Division

## PURCHASING AFFIDAVIT

### VENDOR OWING A DEBT TO THE STATE:

*West Virginia Code* §5A-3-10a provides that: No contract or renewal of any contract may be awarded by the state or any of its political subdivisions to any vendor or prospective vendor when the vendor or prospective vendor or a related party to the vendor or prospective vendor is a debtor and the debt owed is an amount greater than one thousand dollars in the aggregate.

### PUBLIC IMPROVEMENT CONTRACTS & DRUG-FREE WORKPLACE ACT:

*West Virginia Code* §21-1D-5 provides that: Any solicitation for a public improvement construction contract shall require each vendor that submits a bid for the work to submit at the same time an affidavit that the vendor has a written plan for a drug-free workplace policy in compliance with Article 1D, Chapter 21 of the West Virginia Code. A public improvement construction contract may not be awarded to a vendor who does not have a written plan for a drug-free workplace policy in compliance with Article 1D, Chapter 21 of the West Virginia Code and who has not submitted that plan to the appropriate contracting authority in timely fashion. For a vendor who is a subcontractor, compliance with Section 5, Article 1D, Chapter 21 of the West Virginia Code may take place before their work on the public improvement is begun.

### ANTITRUST:

In submitting a bid to any agency for the state of West Virginia, the bidder offers and agrees that if the bid is accepted the bidder will convey, sell, assign or transfer to the state of West Virginia all rights, title and interest in and to all causes of action it may now or hereafter acquire under the antitrust laws of the United States and the state of West Virginia for price fixing and/or unreasonable restraints of trade relating to the particular commodities or services purchased or acquired by the state of West Virginia. Such assignment shall be made and become effective at the time the purchasing agency tenders the initial payment to the bidder.

I certify that this bid is made without prior understanding, agreement, or connection with any corporation, firm, limited liability company, partnership or person or entity submitting a bid for the same materials, supplies, equipment or services and is in all respects fair and without collusion or fraud. I further certify that I am authorized to sign the certification on behalf of the bidder or this bid.

### LICENSING:

Vendors must be licensed and in good standing in accordance with any and all state and local laws and requirements by any state or local agency of West Virginia, including, but not limited to, the West Virginia Secretary of State's Office, the West Virginia Tax Department, West Virginia Insurance Commission, or any other state agencies or political subdivision. Furthermore, the vendor must provide all necessary releases to obtain information to enable the Director or spending unit to verify that the vendor is licensed and in good standing with the above entities.

### CONFIDENTIALITY:

The vendor agrees that he or she will not disclose to anyone, directly or indirectly, any such personally identifiable information or other confidential information gained from the agency, unless the individual who is the subject of the information consents to the disclosure in writing or the disclosure is made pursuant to the agency's policies, procedures and rules. Vendors should visit [www.state.wv.us/admin/purchase/privacy](http://www.state.wv.us/admin/purchase/privacy) for the Notice of Agency Confidentiality Policies.

Under penalty of law for false swearing (West Virginia Code §61-5-3), it is hereby certified that the vendor acknowledges the information in this said affidavit and is in compliance with the requirements as stated.

Vendor's Name: Appalachian Signals & Products, Inc.

Authorized Signature: Casey Mitchell Date: 8-28-08

## HB73

www.honeywellvideo.com

### SUPER HIGH RESOLUTION TRUE DAY/NIGHT BULLET CAMERA WITH INFRARED ILLUMINATORS

The Performance Series rounds out Honeywell's camera portfolio with a variety of indoor, outdoor and low light cameras that lets end users pick the ideal camera for virtually any installation. Perfect for a diverse range of applications, the Performance Series includes a wide range of high performing IR bullet cameras and mini-domes that are easy to install and even easier to use.

The HB73 IR bullet-style camera comes standard with IR illumination, making it perfect for 24/7 surveillance. When the ambient light drops below a user-defined threshold, the IR LEDs activate, a mechanical IR cut filter within the camera switches, and the camera changes automatically from color to black and white, capturing perfect color pictures by day and clear black and white images at night.

The 3.8-9.5 mm F1.2 IR corrected aspherical Vari-focal Auto Iris lens offers a wide field of view range and no focus shift when the camera switches from day to night mode. Digital Noise Reduction (DNR) removes noise artifacts, increasing the performance of motion detection—giving users the ability to record for longer periods using their existing DVR unit. Digital Slow Shutter (DSS) technology improves the light sensitivity of the camera and extends its usable range.

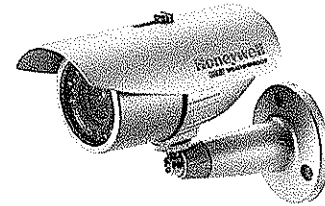
The HB73 installs easily and quickly. It comes standard with a two-conductor pigtail that connects to the barrel connector so there is no need to cut wires during installation. The mounting bracket installs quickly and securely with three screws on walls or ceilings, indoors or out.

#### Market Opportunities

The HB73 is a cost effective surveillance solution for applications that experience changing light conditions throughout the day and require extra illumination at night. The HB73 offers a simple yet solid design that provides optimum performance for both indoor and outdoor applications including lobbies, atriums, vestibules, gated entrances, foyers, loading docks and driveways.

#### Features

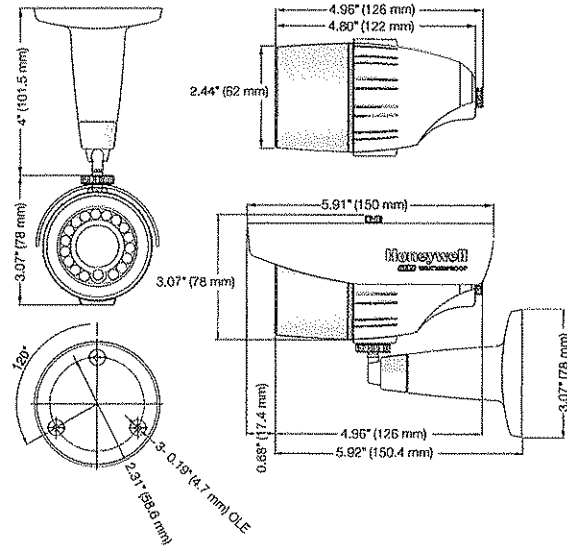
- Discreet, bullet-style camera with switchable IR cut filter and 18 IR LEDs
- Weatherproof housing with IP 65 rating
- 3.8-9.5 mm, F1.2 built-in Vari-focal lens
- Super high resolution color: 550 TVL - 1/3" Sony Super HAD CCD
- Super Digital Noise Reduction technology for noise free images
- IR LED visible range of 65 ft. (20m)
- Easy to install mounting bracket reduces installation time
- Two-conductor pigtail is standard for connection to barrel connector
- Equalization valve prevents vacuum effect caused by sudden changes in barometric pressure



## SPECIFICATIONS

| Operational                  |  |
|------------------------------|--|
| Video Standard               | NTSC, PAL  |
| Scanning System              | 525/60 lines (NTSC)<br>625/50 lines (PAL)              |
| Image Sensor                 | 1/3" Sony HAD CCD sensor                               |
| Number of Pixels (H x V)     | HB73: 811x508 (NTSC)<br>HB73X: 795x596 (PAL)           |
| Minimum Illumination         | 0.3 lux day/0 lux night, operates in complete darkness |
| Horizontal Resolution        | 550 TVL  |
| Video Output                 | 1.0 Vp-p @ 75 Ohms                                     |
| Sync System                  | Internal   |
| S/N Ratio                    | 50 dB or more (AGC off)                                |
| Auto Gain Control            | Off/On   |
| ALC                          | Adjustable Level Control                               |
| Automatic Electronic Shutter | 1/60-1/120,000 sec (NTSC)<br>1/50-1/120,000 sec (PAL)  |
| Lens Type                    | 3.8-9.5 mm Vari-focal lens, IR corrected F1.2          |
| Horizontal Field of View     | 64.4 to 28.6°  |
| White Balance                | Auto   |
| BLC                          | Off/On   |
| Gamma                        | 0.45   |
| IR LEDs                      | 850 nm, 18 LEDs  |
| IR Illumination Distance     | 65 ft (20m)  |
| DNR                          | Auto   |
| DSS                          | Max 32X  |
| Electrical                   |  |
| Input Voltage                | 12 VDC   |
| Input Range                  | 10 VDC - 15 VDC  |
| Power Consumption            | 4.2 W (max) with IR LEDs on                            |

| Mechanical     |   |
|----------------|---|
| Dimensions     | See Diagrams  |
| Weight         | 1.76 lb (0.8 kg)  |
| Construction   | Finish: Brushed and anodized aluminum with sunshield  |
| Color          | Silver  |
| Connector      | Main Video Output: BNC connector<br>Aux Video Output: 2-pin connector with supported BNC lead<br>Power Input: 10 VDC - 15 VDC |
| Environmental  |   |
| Temperature    | Operating: 14°F to 113°F (-10°C to 45°C)<br>Storage: -4°F to 149°F (-20°C to 65°C)  |
| Rating         | IP65  |
| Regulatory     |   |
| Emissions      | FCC CE: EN 55022 Class A  |
| Immunity       | CE: EN 50130-4  |
| Safety         | EU: EN 60065  |
| Accessories    |   |
| Power Supplies |   |
| HPT12DC500     | 12 VAC/500 mA Plug-in Regulated 2.1 mm Coaxial Plug UL Listed/CSA Certified   |



| Ordering |   |
|----------|---|
| HB73     | 1/3" CCD Super High Resolution IR Bullet Camera, TDN, DNR, 550 TVL, 3.8-9.5 mm, 18 IR LED, NTSC |
| HB73X    | 1/3" CCD Super High Resolution IR Bullet Camera, TDN, DNR, 550 TVL, 3.8-9.5 mm, 18 IR LED, PAL  |

**Honeywell Security**  
Honeywell Video Systems  
2700 Blankenbaker Pkwy, Suite 150  
Louisville, KY 40299  
1.800.796.2288 (CCTV)  
www.honeywell.com

L/ HB73D/D  
July 2008  
© 2008 Honeywell International Inc.

# Honeywell



## HRDP DVR Series

[www.honeywellvideo.com](http://www.honeywellvideo.com)

### 4, 8 & 16 CHANNEL EMBEDDED DIGITAL VIDEO RECORDER

The Performance Series HRDP digital video recorder (DVR) offers a feature set comparable to many high-end embedded DVRs but at a much lower price!

Recording at a rate of up to 120/100 ips NTSC/PAL, HRDP offers high-end capabilities such as a user-friendly front panel, IR remote control, express record configuration, express search, an internal DVD-RW and 2 USB ports for copying evidence. When saving video clips to portable media, a viewer executable is included with each clip, which eliminates the need to install a separate viewer on a PC. HRDP supports continuous, event, and combined continuous/event recording and is configurable per channel. Upon detection of motion, HRDP can automatically boost the ips recording rate to capture additional detail of the scene. E-mail notification can be set up to alert a system administrator of DVR operational status conditions and site status notifications upon detection of motion.

HRDP can be remotely accessed by system administrators and other DVR clients using a PC via Web browser or via the powerful Remote Software included with each HRDP DVR. The Remote Software allows the administrator to configure, update, and operate the DVR from a central location. Remote DVR configuration and downloading software updates from a central site, saves time and money by reducing the need for periodic site visits. System operators can have individual privileges enabled or denied for functions such as live view, playback, backup, and PTZ control.

#### Market Opportunities

Supporting an advanced feature set and low pricing, the HRDP is an ideal DVR for a wide variety of surveillance applications including small to medium-sized retail, financial, warehouse, and educational facilities. Web browser remote access in addition to Remote Software opens up many new application possibilities for HRDP. Business owners can check in on their businesses from virtually any location using a PC with a Web browser and internet access.

#### Features

- 4, 8 or 16 looping video inputs
- Continues recording during playback and during transmitting to remote site
- Built-in DVD-RW drive and 2 USB 2.0 ports
- Records up to 120/100 images per second (NTSC/PAL)
- PTZ dome control for a wide variety of protocols
- Remote access through web browser, LAN/WAN (Internal NIC), and DSL (remote access software included)
- Self-diagnostics with automatic notification including hard disk drive S.M.A.R.T. protocol
- Multiple search engines (date/time, event, express search)
- Robust MPEG-4 video compression
- Infrared remote control
- Embedded Linux OS — OS embedded in flash



# HRDP DVR Series

www.honeywellvideo.com

## SPECIFICATIONS

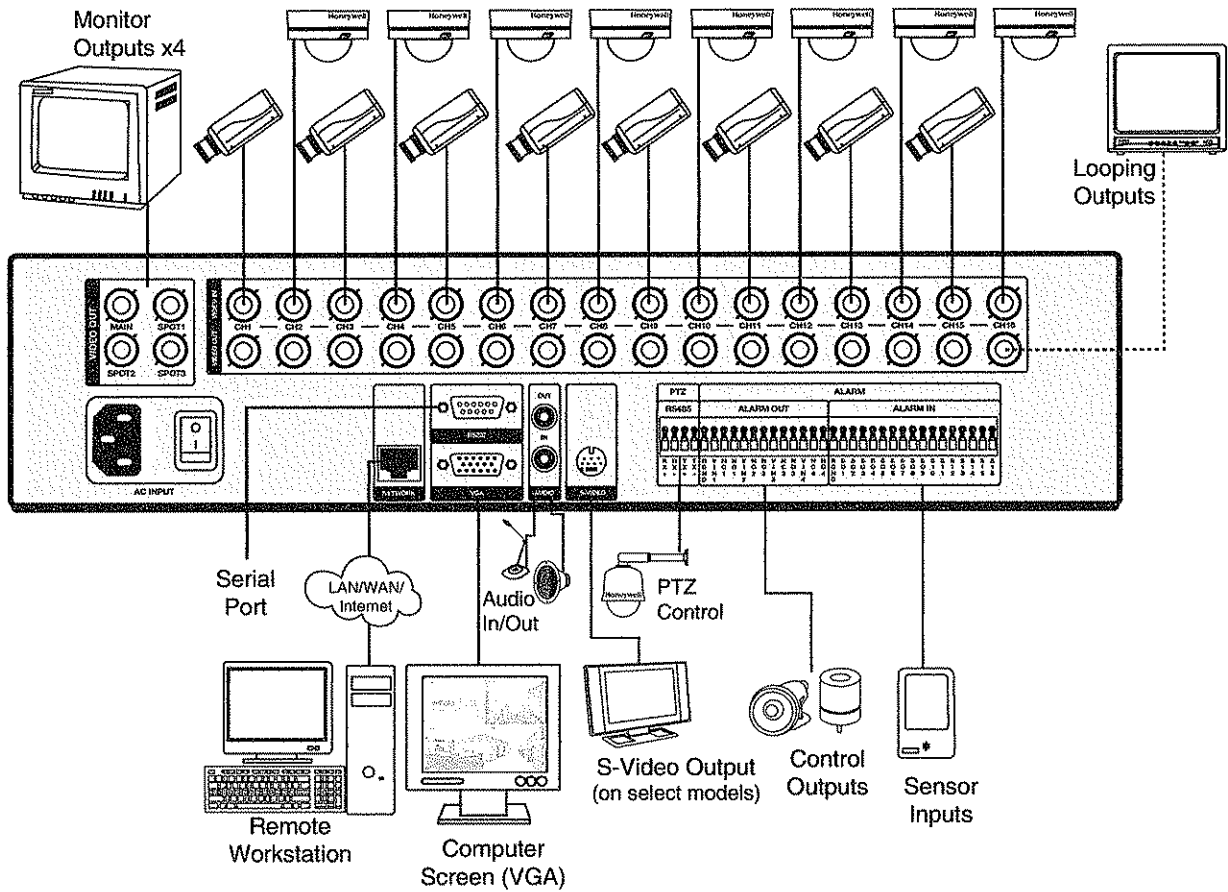
| Remote Software                                  |  |
|--|--|
| Sessions Maximum per HRDP recorder               | 4 simultaneous connections   |
| Administration; configuration, live view, search | 1 session  |
| Users viewing live video and retrieving video    | 2 sessions   |
| Above with PTZ control                           | 1 at time controlling PTZ  |
| Compatibility                                    | Microsoft Windows XP or Vista; See HRDP User Guide for additional detail.  |
| Recorder Unit                                    |  |
| Video Standard                                   | NTSC or PAL  |
| Color Control                                    | Brightness, contrast, saturation and hue   |
| Recording and Transmission Compression Algorithm | MPEG-4   |
| Record Mode                                      | (FIFO) Continuous buffer   |
| Recording Capacity                               | Hard drive capacities up to 1TB, see ordering section for details  |
| Recording Rate (Global)                          | 120/100 ips (NTSC/PAL)   |
| Video Resolution Settings                        | CIF: 352x240 (NTSC) or 352x288 (PAL)<br>2CIF: 704x240 (NTSC) or 704x288 (PAL)<br>4CIF: 704x480 (NTSC) or 704x576 (PAL) |
| Video Motion Detection                           | Configurable zone detection area and sensitivity   |
| Event Recording and Reporting                    | Input via – alarm i/p contacts, and motion. Reporting via alarm o/p contacts, e-mail notification                      |
| Removable Media                                  | Built-in DVD-RW and two USB ports  |
| Still Image                                      | JPG file format using RAS  |
| Front Panel Control                              | Intuitive operation supports IR remote control   |
| NTP Client                                       | Synchronize timing to NTP servers  |
| DHCP Enabled                                     | DHCP or static IP entry  |
| Port Number Setup                                | Individual entries for remote port and web port  |
| PTZ Protocols Support                            | Support for up to 60 PTZ protocols   |
| Language Support                                 | English, Korean, Spanish, Portuguese and Russian   |

| Connections                   |  |
|-------------------------------|--|
| Video Input                   | 4, 8, or 16 – Looping, BNC 1 Vp-p @ 75 Ohms, Auto Terminating  |
| Video Output                  | 1 – Composite, BNC 1 Vp-p @ 75 Ohms (4, 8, 16 ch)<br>1 - VGA (4, 8, 16 ch)<br>1 - S-Video Main Monitor (16 ch only)<br>3 – Spot (16 ch only) BNC 1.0 – Vp-p @ 75 Ohms<br>1 – Spot (4 & 8 ch only) BNC 1.0 – Vp-p @ 75 Ohms |
| Audio Input/Output            | 1 – Line level, RCA G.726 Compression<br>1 – Line Out, RCA   |
| Sensor Inputs General Purpose | NO/NC settable<br>4 – 4 ch DVR<br>8 – 8 ch DVR<br>16 – 16 ch DVR   |
| Control Outputs               | 1 NC or NO, 4 & 8 ch DVR 24V, 1 A<br>4 NC or NO, 16 ch DVR 24V, 1A   |
| Serial Ports                  | 1 – RS232-C DB9 (P)<br>2 – USB (2.0)<br>1 – RS485 port   |
| Internal Storage              | EIDE HDD   |
| Networking                    | 10/100 base Ethernet (RJ-45)   |
| Electrical                    |  |
| Input Voltage                 | 110 ~ 230 VAC, 1.75 ~ 0.85 A, 47-63 Hz   |
| Power Consumption             | 153 Watts  |
| Mechanical                    |  |
| Dimensions (W x H x D)        | 15.75"(W) x 15.75"(D) x 3.5"(H)<br>400 mm x 400 mm x 88 mm   |
| Weight                        | Unit: 18 lb (8.2 kg)<br>Shipping: 22 lbs (10 kg)   |
| Construction                  | Housing: Steel chassis<br>Finish: Black matte paint  |
| Environmental                 |  |
| Temperature                   | Operating: 32°F to 104°F (0°C to 40°C)<br>Storage: 32°F to 104°F (0°C to 40°C)   |
| Relative Humidity             | 0% - 90%, non-condensing   |
| Regulatory                    |  |
| Emissions                     | FCC: Part 15 Subpart B, Class A<br>EN55022:(1994+A1):(1995+A2):(1997[ClassA])<br>EN61000-3-3: (1995+A1):(2001)<br>EN61000-3-2: (2000)  |
| Immunity                      | EN50130-4:1995 + A1:1988   |
| Safety                        | UL/cUL 60950-1 First Edition October 31, 2007<br>IEC 60950-1:2001 First Edition  |

# HRDP DVR Series

www.honeywellvideo.com

## SYSTEM DRAWING



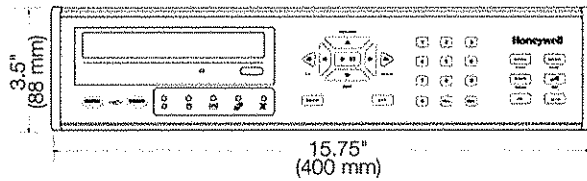
# HRDP DVR Series

www.honeywellvideo.com

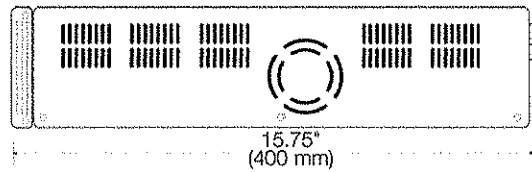
## ACCESSORIES, DIMENSIONS, ORDERING

| Recommended Accessories |                                      | Recommended Accessories, Cont. |   |
|-------------------------|--------------------------------------|--------------------------------|---|
| <b>HRDP DVR</b>         |                                      | <b>Cameras*</b>                |   |
| HRDPRC                  | Spare IR Remote Control              | HB73                           | IR Bullet, super high resolution True Day/Night             |
| HRDPRMKT                | 19-inch Rack Mount Kit               | HD73                           | Mini-dome, super high resolution day/night                  |
| <b>Monitors*</b>        |                                      | HD3CH                          | Mini-dome, super high resolution day/night vandal resistant |
| HMC14HRX                | 14" Color CRT Monitor                | ACUIX™                         | High-performance PTZ camera                                 |
| HMC14HRRK1X             | Rack Mount Kit for HMC14HRX Monitor  | <b>Surge Protection</b>        |   |
| HMLCD19e2               | 19" e-Series Color LCD Monitor (VGA) | HCSP1                          | Camera Surge Protector                                      |
| HMLCD17L                | 17" L-Series Color LCD Monitor (VGA) | HDSP1                          | PTZ Dome Surge Protector                                    |

\* See Honeywell's full line of monitors and cameras at www.honeywellvideo.com



Front View



Side View

## Ordering

**HRDP16 D 1000 X**

Signal Format

X PAL  
NTSC

Storage 1000 GB Fixed IDE HDD\*\*  
750 GB\*  
500 GB  
250 GB

DVD-RW D = Internal DVD-RW drive

Model

HRDP16 16 channel DVR  
HRDP8 8 channel DVR  
HRDP4 4 channel DVR

\*\* Only available with 16 ch DVR

\* Only available with 8 & 16 ch DVR

### Honeywell Security

Honeywell Video Systems  
2700 Blankenbaker Pkwy, Suite 150  
Louisville, KY 40299  
1.800.796.2288 (CCTV)  
www.honeywell.com

L/HRDP/D  
June 2008  
© 2008 Honeywell International Inc.

# Honeywell

## HPTVDC Series

[www.honeywellvideo.com](http://www.honeywellvideo.com)

### 6, 12 OR 24 VDC INDOOR POWER SUPPLIES

These switching power supplies/distribution units convert 115 VAC input into 6, 12 or 24 VDC at 2.5 A or 4.0 A continuous supply current and distribute it using individually fused outputs. For convenient installation, these power supplies come completely assembled with a steel enclosure, transformer, and connecting hardware.

The HPTV3DC04 supplies 2.5 A while the larger HPTV5DC08 and HPTV5DC16 supply 4.0 A at 6 or 12 VDC (2.5 A at 24 VDC). The HPTV3DC04 has a four output, individually fused power distribution board, the HPTV5DC08 has an eight output distribution board, and the HPTV5DC16 has two eight output distribution boards.

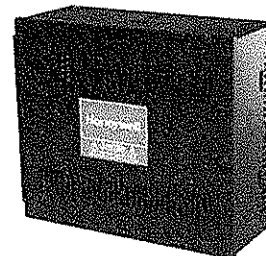
#### Market Opportunities

The HPTVDC Series power supply provides superior performance and offers a wide range of applications for access control, intrusion security and CCTV systems that require additional power.

The HPTVDC Series is ideal for all dome and box cameras installations that require stable sources of power.

#### Features

- Filtered and electronically regulated output
- Thermally limited design
- LED diagnostic indicators for AC input, main DC output, and individual DC outputs
- Hinged cover, vented enclosure and five convenient knockouts



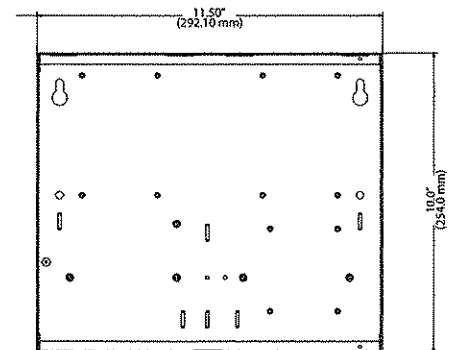
# HPTVDC Series

www.honeywellvideo.com

## SPECIFICATIONS

| Operational            |  |
|------------------------|--|
| Incoming Safety Block  | 2 A, 250V, .2" x .79"(5 mm x 20 mm) cartridge  |
| Secondary Output Fuse  | 5 A, automotive fuse   |
| Load Output Fuse       | 3 A per output, automotive fuses or 2.5 A @ 77°F (25°C) SmartFuse  |
| Diagnostic LEDs        | HPS3/HPS5<br>Green LED ON (AC Power Present)<br>Red LED ON (DC Power Present)<br>HPD4/HPD8<br><ul style="list-style-type: none"> <li>Input Power LED: (Green) ON indicates that voltage is present at distribution board.</li> <li>Output Power LEDs: (4 Green) ON indicates that voltage is present at the related output circuit.</li> </ul> |
| On/Off Switches        | Power on/off to distribution board   |
| Electrical             |  |
| Input Voltage          | 120VAC 60 Hz @ 1A max.   |
| Input Tolerance        | + 6% -10%  |
| Output Voltage         | 6,12 or 24 VDC switch selectable   |
| Output Current         | HPS3 - 6,12 or 24 VDC @ 2.5 A<br>HPS5 - 6 or 12 @ 4.0 A and 24V @ 2.5 A  |
| Grounding              | Grounding on main enclosure, enclosure lid and printed circuit board (PCB)   |
| Mechanical             |  |
| Dimensions (W x H x D) | 10" x 11.5" x 4.875"<br>(254 mm x 292.1 mm x 238 mm)   |
| Weight                 | Unit: Aprox 11lbs (4.99 kg)<br>Shipping: Aprox:12 lbs (5.44)   |
| Construction           | Housing: 16 gauge (1.6 mm) steel vented housing<br>Finish: Durable textured powder coat finish, black  |
| Cable Entry            | Five knockouts for wiring entry (top, bottom, sides)   |

| Environmental                                      |   |                               |                               |
|--|---|-------------------------------|-------------------------------|
| Temperature  | Operating: 32°F to 120° F (0°C to 49°C)<br>Storage: -40°F to +185 °F (-40°C to +85°C) |                               |                               |
| Relative Humidity                                  | Up to 85% non condensing  |                               |                               |
| Regulatory   |   |                               |                               |
| Emissions  | FCC Part 15 Subpart D   |                               |                               |
| Recommended Wiring                                 |   |                               |                               |
| Input Wire   | 12-16 gauge solid wire  |                               |                               |
| Output Wire  | 12-22 gauge solid or stranded wire  |                               |                               |
| Wiring Distance                                    | See Recommended Wiring Distance chart   |                               |                               |
| Accessories  |   |                               |                               |
| HP407EB  | Expansion bracket for HPTV power supplies   |                               |                               |
| HPTVD4   | 4 output fused power distribution board   |                               |                               |
| HPTVD8   | 8 output fused power distribution board   |                               |                               |
| Recommended Wiring Distance Chart in feet (meters) |   |                               |                               |
| Total VA Consumed                                  | 20 AWG (0.5 mm <sup>2</sup> )   | 18 AWG (1.0 mm <sup>2</sup> ) | 16 AWG (1.5 mm <sup>2</sup> ) |
| 10   | 283 (86)  | 451 (137)                     | 716 (218)                     |
| 20   | 141 (42)  | 225 (88)                      | 358 (109)                     |
| 30   | 94 (28)   | 150 (45)                      | 238 (72)                      |
| 50   | 56 (17)   | 90 (27)                       | 143 (43)                      |



| Ordering  |   |
|-----------|---|
| HPTV3DC04 | 6,12 or 24 VDC, 2.5 Amps, 4 Outputs, Fused  |
| HPTV5DC08 | 6,12 or 24 VDC, 4.0 Amps, 8 Outputs, Fused  |
| HPTV5DC16 | 6,12 or 24 VDC, 4.0 Amps, 16 Outputs, Fused |

**NOTE:** Honeywell reserves the right, without notification, to make changes in product design or specifications.

### Honeywell Security

Honeywell Video Systems  
2700 Blankenbaker Pkwy, Suite 150  
Louisville, KY 40299  
1.800.796.CCTV  
www.honeywell.com

L/HPTVDC/D  
January 2008  
© 2008 Honeywell International Inc.

# Honeywell

## HD73

www.honeywellvideo.com

### SUPER HIGH RESOLUTION TRUE DAY/NIGHT VANDAL DOME CAMERA WITH VARI-FOCAL AUTO IRIS LENS AND INFRARED ILLUMINATORS

The Performance Series rounds out Honeywell's camera portfolio with a variety of indoor, outdoor and low light cameras that lets end users pick the perfect camera for virtually any installation. Perfect for a diverse range of applications, the Performance Series includes a wide range of high performing IR bullet cameras and mini-domes that are easy to install and even easier to use.

The HD73 is a true day/night rugged dome camera with 20 integrated LEDs that switches from color to black and white mode. A mechanical IR cut filter within the camera switches capturing perfect color pictures by day and clear black and white images at night. The HD73 incorporates a 1/3" CCD that offers 530 TV lines of crisp, clear horizontal resolution. The cameras come equipped with 20 integrated LEDs and a built-in 3.8-9.5 mm IR corrected aspherical Vari-focal Auto Iris lens for increased optical versatility and no focus shift when the camera switches from day to night mode. The 3-D axis gimbal allows versatile positioning and instant centering of the video image. In addition, the lens is separated from the LEDs by an IR boot mechanism which eliminates internal IR glare.

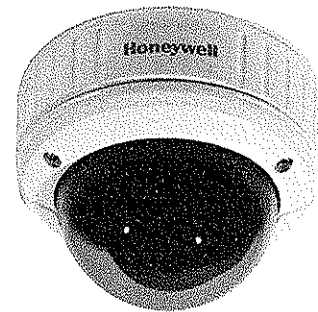
The HD73 installs quickly and easily. It comes standard with a two-conductor pigtail that connects to the barrel connector so there is no need to cut wires during installation. It also features a video out port for easy focus. The HD73 is designed for use in challenging environments. It is IP66 rated for outdoor installations, but is ideal for indoors installations as well, mounting directly to a ceiling or wall.

#### Market Opportunities

The HD73 is a cost effective surveillance solution for applications that experience changing light conditions throughout the day and require extra illumination at night. The HD73 offers a simple yet solid design that provides optimum performance for both indoor and outdoor applications including schools, colleges, universities, hospitals, commercial sites, industrial parks, airports, gated entrances, foyers, loading docks and driveways.

#### Features

- Super high resolution color: 530 TVL - 1/3" Sony Super HAD CCD
- True Day/night with 20 LEDs
- Photocell-controlled and powered by an array of 20 high-efficiency LEDs (850 nm)
- Photocell-controlled on/off switching of infrared illumination
- Built-in fixed 3.8-9.5 IR corrected aspherical Vari-focal Auto Iris lens
- Auto-iris lens to prevent overexposure and infrared "white out"
- User-friendly design for easy access and adjustment of camera settings
- Even distribution IR for optimal image capture
- Total effectiveness in zero lux environments
- IR LED visible range of ~65 ft. (20m)
- Vandal-proof and weather resistant housing with IP66 rating
- 3-D axis gimbal
- Video out port for setup
- Two-conductor pigtail is standard for connection to barrel connector



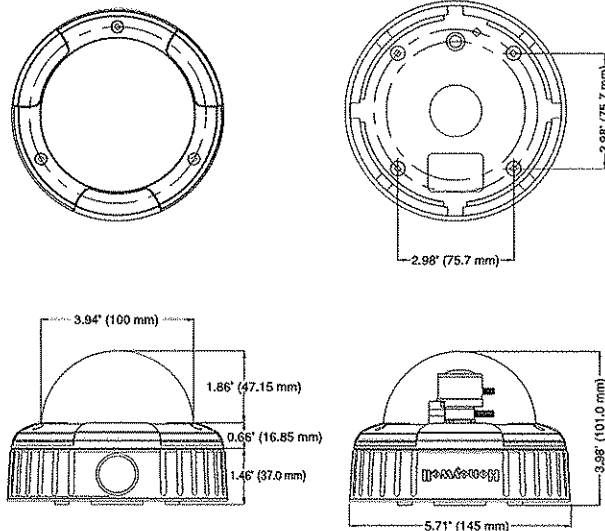
# HD73

www.honeywellvideo.com

## SPECIFICATIONS

| Operational   |   |
|---|---|
| Video Standard  | NTSC, PAL   |
| Scanning System   | 2:1 Interlace   |
| Image Sensor  | 1/3" Sony HAD CCD sensor  |
| Number of Pixels (H x V)                                  | 811 x 508 (NTSC)<br>795 x 596 (PAL)   |
| Minimum Illumination                                      | 0.0 lux, operates in complete darkness  |
| Horizontal Resolution                                     | 530 TVL   |
| Video Output  | 1.0 Vp-p, composite @ 75 Ohms   |
| Sync System   | Internal  |
| S/N Ratio   | 50 dB or more (AGC Off)   |
| Auto Gain Control   | On/Off  |
| Automatic Electronic Shutter                              | 1/60-1/100,000 second (NTSC)<br>1/50-1/100,000 second (PAL)   |
| White Balance   | Auto  |
| IR LEDs   | 850 nm, 20 LEDs   |
| IR Illumination Distance (dependent on scene reflectance) | ~50 ft. (15m)   |
| BLC   | On/Off  |
| Gamma   | 0.45  |
| Lens Type   | Built-in fixed (f=3.8-9.5 mm VFAI)  |
| Angle of View   | H: 62° - 28°<br>V: 48° - 22°  |
| Electrical  |   |
| Input Voltage   | 12 VDC  |
| Input Range   | 10-14 VDC   |
| Power Consumption   | 4.5 W (max) with IR LEDs on   |
| Mechanical  |   |
| Dimensions  | See Diagram   |
| Weight  | 1.86 lb (0.84 kg)   |
| Construction  | Housing: Die Cast Aluminum<br>Dome: Polycarbonate<br>Finish: Light gray powder coating                              |
| Cable Entry   | One 3/4" (19.1 mm) NPT threaded opening on side   |
| Connector   | Main Video: BNC connector<br>Aux Video: 2-pin connector for video test cable (supplied)<br>Power Input: 2.1 mm Plug |

| Environmental     |   |
|-------------------|---|
| Temperature       | Operating: -4°F to 122°F (-20°C to 50°C)<br>Storage: -49°F to 167°F (-45°C to 75°C) |
| Relative Humidity | 0% to 90% non-condensing  |
| Rating            | IP66  |
| Regulatory        |   |
| Emissions         | FCC, CE: (EN55022) Class A  |
| Immunity          | CE: EN 50130-4  |
| Safety            | EU: EN 60065  |
| Accessories       |   |
| Power Supplies    |   |
| HPT12DC500        | 12 VAC/500 mA Plug-in Regulated 2.1 mm Coaxial Plug UL Listed/CSA Certified         |



| Ordering |   |
|----------|---|
| HD73     | 1/3" CCD Integrated True Day/Night Super High Resolution IR Vandal Resistant Dome Camera, 530 TVL, 20 LEDs, 3.8-9.5 mm VFAI Lens, 12 VDC NTSC |
| HD73X    | 1/3" CCD Integrated True Day/Night Super High Resolution IR Vandal Resistant Dome Camera, 530 TVL, 20 LEDs, 3.8-9.5 mm VFAI Lens, 12 VDC PAL  |

**Honeywell Security**  
Honeywell Video Systems  
2700 Blankenbaker Pkwy, Suite 150  
Louisville, KY 40299  
1.800.796.CCTV (2288)  
www.honeywell.com

L/HD73D/D  
August 2008  
© 2008 Honeywell International Inc.

**Honeywell**



## HD50

[www.honeywellvideo.com](http://www.honeywellvideo.com)

### SUPER HIGH RESOLUTION FIXED LENS VANDAL DOME CAMERA

The Performance Series rounds out Honeywell's camera portfolio with a variety of indoor, outdoor and low light cameras that lets end users pick the perfect camera for virtually any installation. Ideal for a diverse range of applications, the Performance Series includes a wide range of high performing IR bullet cameras and mini-domes that are easy to install and even easier to use.

The HD50 is a rugged indoor/outdoor fixed mini-dome camera. The high-impact dome housing is vandal resistant and weather tight. The integrated housing protects the camera from dust, dirt and water as well as physical harm from strong external impacts (for example, hockey sticks or sledgehammers). The visually appealing low profile design blends with its surroundings, making the HD50 the obvious choice for architecturally sensitive installations. The HD50 incorporates a 1/3" CCD that offers 530 TV lines of crisp, clear horizontal resolution. The cameras come equipped with a built-in fixed lens (f=3.8 mm) and a 3-D axis gimbal that is capable of 360° of pan, 180° of tilt and 360° of horizontal rotation.

The HD50 installs quickly and easily. It comes standard with a two-conductor pigtail that connects to the barrel connector so there is no need to cut wires during installation. The HD50 is designed for use in challenging environments. It is IP66 rated for outdoor installations, but can also be installed indoors, mounted directly to a ceiling or wall.

#### Market Opportunities

The HD50 is a cost effective surveillance solution for applications that experience changing light conditions throughout the day and require extra illumination at night. The HD50 offers a simple yet solid design that provides optimum performance for both indoor and outdoor applications including lobbies, atriums, vestibules, gated entrances, foyers, loading docks and driveways.

#### Features

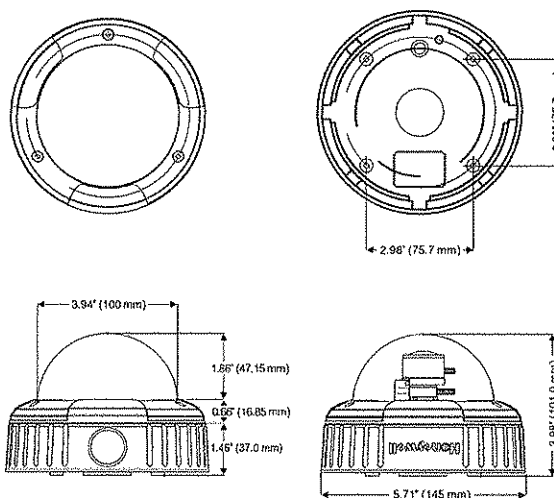
- Super high resolution color: 530 TVL - 1/3" Sony Super HAD CCD
- Built-in fixed lens (f=3.8 mm)
- Surface mount enclosure, indoors or outdoors
- Auto White Balance
- Vandal-proof and weather resistant housing with IP66 rating
- 3-D axis gimbal
- Two-conductor pigtail is standard for connection to barrel connector
- 12 VDC Input



## SPECIFICATIONS

| Operational               |   |
|---------------------------|---|
| Video Standard            | NTSC, PAL   |
| Scanning System           | 2:1 Interlace   |
| Image Sensor              | 1/3" Sony HAD CCD sensor                                    |
| Number of Pixels (H x V)  | 811 x 508 (NTSC)<br>795 x 596 (PAL)                         |
| Minimum Illumination      | 0.3 lux   |
| Horizontal Resolution     | 530 TVL   |
| Video Output              | 1.0 Vp-p, composite @ 75 Ohms                               |
| Sync System               | Internal  |
| S/N Ratio                 | 50 dB or more (AGC Off)                                     |
| Auto Gain Control         | On/Off  |
| Automatic Electronic Iris | 1/60–1/100,000 second (NTSC)<br>1/50–1/100,000 second (PAL) |
| White Balance             | Auto  |
| BLC                       | On/Off  |
| Gamma                     | 0.45  |
| Lens Type                 | Built-in fixed (f=3.8 mm)                                   |
| Angle of View             | H: 68°<br>V: 50°  |
| Electrical                |   |
| Input Voltage             | 12 VDC  |
| Input Range               | 10-14 VDC   |
| Power Consumption         | 2 W (max)   |

| Mechanical             |  |
|------------------------|--|
| Dimensions (W x H x D) | See Diagram  |
| Weight                 | 1.0 lb (0.440 kg)  |
| Construction           | Housing: Die Cast Aluminum<br>Dome: Polycarbonate<br>Finish: Light gray powder coating |
| Connectors             | Main Video: BNC connector<br>Power Input: 2.1 mm Plug                                  |
| Environmental          |  |
| Temperature            | Operating: -4°F to 122°F (-20°C to 50°C)<br>Storage: -49°F to 167°F (-45°C to 75°C)    |
| Relative Humidity      | 0% to 90% non-condensing   |
| Rating                 | IP66   |
| Regulatory             |  |
| Emissions              | FCC, CE: (EN55022) Class A   |
| Immunity               | CE: EN 50130-4   |
| Safety                 | EU: EN 60065   |
| Accessories            |  |
| Power Supplies         |  |
| HPT12DC500             | 12 VAC / 500 mA Plug-in Regulated 2.1 mm Coaxial Plug UL Listed/CSA Certified          |



| Ordering |   |
|----------|---|
| HD50     | 1/3" CCD Vandal Resistant Dome Camera, 530 TVL, Fixed 3.8 mm, 12 VDC NTSC |
| HD50X    | 1/3" CCD Vandal Resistant Dome Camera, 530 TVL, Fixed 3.8 mm, 12 VDC PAL  |

**Honeywell Security**  
Honeywell Video Systems  
2700 Blankenbaker Pkwy, Suite 150  
Louisville, KY 40299  
1.800.796.CCTV (2288)  
www.honeywell.com

L/HD50D/D  
August 2008  
© 2008 Honeywell International Inc.

# Honeywell