



State of West Virginia  
 Department of Administration  
 Purchasing Division  
 2019 Washington Street East  
 Post Office Box 50130  
 Charleston, WV 25305-0130

**Request for  
 Quotation**

RFQ NUMBER:  
**DJS010253**

PAGE:  
**1**

ADDRESS CORRESPONDENCE TO ATTENTION OF:  
**JOHN ABBOTT  
 304-558-2544**

S U P P L I E R

**Longs' Security Camera Systems  
 LLC  
 102 38th Street SE  
 Charleston, WV 25304**

S U P P L I E R

**DIVISION OF JUVENILE SERVICES  
 SECOND FLOOR  
 1200 QUARRIER STREET  
 CHARLESTON, WV  
 25301 304-558-6029**

DATE PRINTED <b>08/13/2008</b>	TERMS OF SALE	SHIP VIA	F.O.B.	FREIGHT TERMS
-----------------------------------	---------------	----------	--------	---------------

BID OPENING DATE: **08/28/2008** BID OPENING TIME **01:30PM**

LINE	QUANTITY	UOP	CAT NO	ITEM NUMBER	UNIT PRICE	AMOUNT
0001	1	LS		840-84		
<p><b>VIDEO SURVEILLANCE SYSTEMS</b></p> <p><i>Option #3</i></p> <p>OPEN-END CONTRACT TO PROVIDE VIDEO SURVEILLANCE EQUIPMENT TO THE WEST VIRGINIA DIVISION OF JUVENILE SERVICES, PER THE SPECIFICATIONS.</p> <p>EXHIBIT 4</p> <p>LOCAL GOVERNMENT BODIES: UNLESS THE VENDOR INDICATES IN THE BID HIS REFUSAL TO EXTEND THE PRICES, TERMS, AND CONDITIONS OF THE BID TO COUNTY, SCHOOL, MUNICIPAL AND OTHER LOCAL GOVERNMENT BODIES, THE BID SHALL EXTEND TO POLITICAL SUBDIVISIONS OF THE STATE OF WEST VIRGINIA. IF THE VENDOR DOES NOT WISH TO EXTEND THE PRICES, TERMS, AND CONDITIONS OF THE BID TO ALL POLITICAL SUBDIVISIONS OF THE STATE, THE VENDOR MUST CLEARLY INDICATE SUCH REFUSAL IN HIS BID. SUCH REFUSAL SHALL NOT PREJUDICE THE AWARD OF THIS CONTRACT IN ANY MANNER.</p> <p>REV. 3/88</p> <p>EXHIBIT 3</p> <p>LIFE OF CONTRACT: THIS CONTRACT BECOMES EFFECTIVE ON ..... AND EXTENDS FOR A PERIOD OF ONE (1) YEAR OR UNTIL SUCH "REASONABLE TIME" THEREAFTER AS IS NECESSARY TO OBTAIN A NEW CONTRACT OR RENEW THE ORIGINAL CONTRACT. THE "REASONABLE TIME" PERIOD SHALL NOT EXCEED TWELVE (12) MONTHS. DURING THIS "REASONABL</p>						

**RECEIVED**  
**08 AUG 28 AM 11:14**  
 PURCHASING DIVISION  
 STATE OF WV

SEE REVERSE SIDE FOR TERMS AND CONDITIONS

SIGNATURE: *Alan E. Long* TELEPHONE: **304-925-0330** DATE: **8-28-08**

TITLE: **Owner** FEIN: **20-388188-001** ADDRESS CHANGES TO BE NOTED ABOVE

WHEN RESPONDING TO RFQ, INSERT NAME AND ADDRESS IN SPACE ABOVE LABELED 'VENDOR'

**BID SUBMISSION WORKSHEET FOR  
DJS 010253  
ALL QUANTITIES ARE ESTIMATES ONLY**

ITEM NO.	ESTIMATED QUANTITY	ITEM	MODEL	UNIT PRICE	AMOUNT
1.	90	COLOR VARI-FOCAL MINI DOME CAMERA	HD50	101.00	9,090.00
2.	20	COLOR VARI-FOCAL DAY/NIGHT INFRARED MINI DOME CAMERA	HD73	213.11	4,262.18
3.	10	16 CAMERA 12VCD POWER SUPPLY	DCR1681UL	120.16	1,201.58
4.	5	8 CAMERA 12VCD POWER SUPPLY	DCR841UL	60.61	303.03
5.	5	4 CAMERA 12VCD POWER SUPPLY	DCR441UL	53.56	267.79
6.	5	4 CHANNEL NETWORKABLE TRIPLEX DVR WITH CD-R/W	EV4500N	660.45	3,302.25
7.	5	8 CHANNEL NETWORKABLE TRIPLEX DVR WITH CD-R/W	EV8500N	826.95	4,134.75
8.	10	16 CHANNEL NETWORKABLE TRIPLEX DVR WITH CD-R/W	EV16500N	1,193.25	11,932.50
9.	20	COLOR VARI-FOCAL INFRARED BULLET CAMERA	HB73	213.11	4,262.18

Shipping included - Based on lot order.

TOTAL

\$ 38,756.15



State of West Virginia  
 Department of Administration  
 Purchasing Division  
 2019 Washington Street East  
 Post Office Box 50130  
 Charleston, WV 25305-0130

### Request for Quotation

RFQ NUMBER:  
**DJS010253**

PAGE:  
**2**

ADDRESS CORRESPONDENCE TO ATTENTION OF:  
**JOHN ABBOTT  
 304-558-2544**

SUGGESTION

RFQ COPY  
 TYPE NAME/ADDRESS HERE

SUGGESTION

**DIVISION OF JUVENILE SERVICES  
 SECOND FLOOR  
 1200 QUARRIER STREET  
 CHARLESTON, WV  
 25301 304-558-6029**

DATE PRINTED	TERMS OF SALE	SHIP VIA	FOB	FREIGHT TERMS
08/13/2008				

BID OPENING DATE: **08/28/2008** BID OPENING TIME **01:30PM**

LINE	QUANTITY	UDP	CAT NO	ITEM NUMBER	UNIT PRICE	AMOUNT
<p>TIME" THE VENDOR MAY TERMINATE THIS CONTRACT FOR ANY REASON UPON GIVING THE DIRECTOR OF PURCHASING 30 DAYS WRITTEN NOTICE.</p> <p>UNLESS SPECIFIC PROVISIONS ARE STIPULATED ELSEWHERE IN THIS CONTRACT DOCUMENT, THE TERMS, CONDITIONS AND PRICING SET HEREIN ARE FIRM FOR THE LIFE OF THE CONTRACT.</p> <p>RENEWAL: THIS CONTRACT MAY BE RENEWED UPON THE MUTUAL WRITTEN CONSENT OF THE SPENDING UNIT AND VENDOR, SUBMITTED TO THE DIRECTOR OF PURCHASING THIRTY (30) DAYS PRIOR TO THE EXPIRATION DATE. SUCH RENEWAL SHALL BE IN ACCORDANCE WITH THE TERMS AND CONDITIONS OF THE ORIGINAL CONTRACT AND SHALL BE LIMITED TO TWO (2) ONE (1) YEAR PERIODS.</p> <p>CANCELLATION: THE DIRECTOR OF PURCHASING RESERVES THE RIGHT TO CANCEL THIS CONTRACT IMMEDIATELY UPON WRITTEN NOTICE TO THE VENDOR IF THE COMMODITIES AND/OR SERVICES SUPPLIED ARE OF AN INFERIOR QUALITY OR DO NOT CONFORM TO THE SPECIFICATIONS OF THE BID AND CONTRACT HEREIN.</p> <p>OPEN MARKET CLAUSE: THE DIRECTOR OF PURCHASING MAY AUTHORIZE A SPENDING UNIT TO PURCHASE ON THE OPEN MARKET, WITHOUT THE FILING OF A REQUISITION OR COST ESTIMATE, ITEMS SPECIFIED ON THIS CONTRACT FOR IMMEDIATE DELIVERY IN EMERGENCIES DUE TO UNFORESEEN CAUSES (INCLUDING BUT NOT LIMITED TO DELAYS IN TRANSPORTATION OR AN UNANTICIPATED INCREASE IN THE VOLUME OF WORK.)</p> <p>QUANTITIES: QUANTITIES LISTED IN THE REQUISITION ARE APPROXIMATIONS ONLY, BASED ON ESTIMATES SUPPLIED BY THE STATE SPENDING UNIT. IT IS UNDERSTOOD AND AGREED THAT THE CONTRACT SHALL COVER THE QUANTITIES ACTUALLY</p>						

SEE REVERSE SIDE FOR TERMS AND CONDITIONS

SIGNATURE	TELEPHONE	DATE
TITLE	FEIN	ADDRESS CHANGES TO BE NOTED ABOVE

WHEN RESPONDING TO RFQ, INSERT NAME AND ADDRESS IN SPACE ABOVE LABELED 'VENDOR'



State of West Virginia  
 Department of Administration  
 Purchasing Division  
 2019 Washington Street East  
 Post Office Box 50130  
 Charleston, WV 25305-0130

# Request for Quotation

RFO NUMBER  
**DJS010253**

PAGE  
**3**

ADDRESS CORRESPONDENCE TO ATTENTION OF  
**JOHN ABBOTT  
 304-558-2544**

RFQ COPY  
 TYPE NAME/ADDRESS HERE

SHIP TO

SHIP TO

**DIVISION OF JUVENILE SERVICES  
 SECOND FLOOR  
 1200 QUARRIER STREET  
 CHARLESTON, WV  
 25301 304-558-6029**

DATE PRINTED	TERMS OF SALE	SHIP VIA	FOB	FREIGHT TERMS
08/13/2008				
BID OPENING DATE: <b>08/28/2008</b>		BID OPENING TIME <b>01:30PM</b>		

LINE	QUANTITY	UOP	CAT NO.	ITEM NUMBER	UNIT PRICE	AMOUNT
<p>ORDERED FOR DELIVERY DURING THE TERM OF THE CONTRACT, WHETHER MORE OR LESS THAN THE QUANTITIES SHOWN.</p> <p>ORDERING PROCEDURE: SPENDING UNIT(S) SHALL ISSUE A WRITTEN STATE CONTRACT ORDER (FORM NUMBER WV-39) TO THE VENDOR FOR COMMODITIES COVERED BY THIS CONTRACT. THE ORIGINAL COPY OF THE WV-39 SHALL BE MAILED TO THE VENDOR AS AUTHORIZATION FOR SHIPMENT, A SECOND COPY MAILED TO THE PURCHASING DIVISION, AND A THIRD COPY RETAINED BY THE SPENDING UNIT.</p> <p>BANKRUPTCY: IN THE EVENT THE VENDOR/CONTRACTOR FILES FOR BANKRUPTCY PROTECTION, THIS CONTRACT IS AUTOMATICALLY NULL AND VOID, AND IS TERMINATED WITHOUT FURTHER ORDER.</p> <p>THE TERMS AND CONDITIONS CONTAINED IN THIS CONTRACT SHALL SUPERSEDE ANY AND ALL SUBSEQUENT TERMS AND CONDITIONS WHICH MAY APPEAR ON ANY ATTACHED PRINTED DOCUMENTS SUCH AS PRICE LISTS, ORDER FORMS, SALES AGREEMENTS OR MAINTENANCE AGREEMENTS, INCLUDING ANY ELECTRONIC MEDIUM SUCH AS CD-ROM.</p> <p>REV. 04/11/2001</p> <p>VENDOR PREFERENCE CERTIFICATE</p> <p>CERTIFICATION AND APPLICATION* IS HEREBY MADE FOR PREFERENCE IN ACCORDANCE WITH WEST VIRGINIA CODE, 5A-3-37 (DOES NOT APPLY TO CONSTRUCTION CONTRACTS).</p> <p>A. APPLICATION IS MADE FOR 2.5% PREFERENCE FOR THE REASON CHECKED:</p> <p><input checked="" type="checkbox"/> BIDDER IS AN INDIVIDUAL RESIDENT VENDOR AND HAS RESIDED CONTINUOUSLY IN WEST VIRGINIA FOR FOUR</p>						

SEE REVERSE SIDE FOR TERMS AND CONDITIONS

SIGNATURE	TELEPHONE	DATE
TITLE	FEIN	ADDRESS CHANGES TO BE NOTED ABOVE

WHEN RESPONDING TO RFQ, INSERT NAME AND ADDRESS IN SPACE ABOVE LABELED 'VENDOR'



State of West Virginia  
 Department of Administration  
 Purchasing Division  
 2019 Washington Street East  
 Post Office Box 50130  
 Charleston, WV 25305-0130

# Request for Quotation

RFQ NUMBER  
**DJS010253**

PAGE  
**4**

ADDRESS CORRESPONDENCE TO ATTENTION OF  
**JOHN ABBOTT**  
**304-558-2544**

RFQ COPY

TYPE NAME/ADDRESS HERE

SHIP TO

DIVISION OF JUVENILE SERVICES  
 SECOND FLOOR  
 1200 QUARRIER STREET  
 CHARLESTON, WV  
 25301 304-558-6029

DATE PRINTED	TERMS OF SALE	SHIP VIA	F.O.B.	FREIGHT TERMS
08/13/2008				
BID OPENING DATE: 08/28/2008		BID OPENING TIME 01:30PM		

LINE	QUANTITY	UOP	CAT NO	ITEM NUMBER	UNIT PRICE	AMOUNT
<p>(4) YEARS IMMEDIATELY PRECEDING THE DATE OF THIS CERTIFICATION; OR</p> <p>( ) BIDDER IS A PARTNERSHIP, ASSOCIATION OR CORPORATION RESIDENT VENDOR AND HAS MAINTAINED ITS HEAD-QUARTERS OR PRINCIPAL PLACE OF BUSINESS CONTINUOUSLY IN WEST VIRGINIA FOR FOUR (4) YEARS IMMEDIATELY PRECEDING THE DATE OF THIS CERTIFICATION; OR 80% OF THE OWNERSHIP INTEREST OF BIDDER IS HELD BY ANOTHER INDIVIDUAL, PARTNERSHIP, ASSOCIATION OR CORPORATION RESIDENT VENDOR WHO HAS MAINTAINED ITS HEADQUARTERS OR PRINCIPAL PLACE OF BUSINESS CONTINUOUSLY IN WEST VIRGINIA FOR FOUR (4) YEARS IMMEDIATELY PRECEDING THE DATE OF THIS CERTIFICATION; OR</p> <p>( ) BIDDER IS A CORPORATION NONRESIDENT VENDOR WHICH HAS AN AFFILIATE OR SUBSIDIARY WHICH EMPLOYS A MINIMUM OF ONE HUNDRED STATE RESIDENTS AND WHICH HAS MAINTAINED ITS HEADQUARTERS OR PRINCIPAL PLACE OF BUSINESS WITHIN WEST VIRGINIA CONTINUOUSLY FOR THE FOUR (4) YEARS IMMEDIATELY PRECEDING THE DATE OF THIS CERTIFICATION.</p> <p>B. APPLICATION IS MADE FOR 2.5% PREFERENCE FOR THE REASON CHECKED:</p> <p><input checked="" type="checkbox"/> BIDDER IS A RESIDENT VENDOR WHO CERTIFIES THAT, DURING THE LIFE OF THE CONTRACT, ON AVERAGE AT LEAST 75% OF THE EMPLOYEES WORKING ON THE PROJECT BEING BID ARE RESIDENTS OF WEST VIRGINIA WHO HAVE RESIDED IN THE STATE CONTINUOUSLY FOR THE TWO YEARS IMMEDIATELY PRECEDING SUBMISSION OF THIS BID;</p> <p>OR</p> <p>( ) BIDDER IS A NONRESIDENT VENDOR EMPLOYING A MINIMUM OF ONE HUNDRED STATE RESIDENTS OR IS A NONRESIDENT VENDOR WITH AN AFFILIATE OR SUBSIDIARY</p>						

SEE REVERSE SIDE FOR TERMS AND CONDITIONS

SIGNATURE	TELEPHONE	DATE
TITLE	FEIN	ADDRESS CHANGES TO BE NOTED ABOVE

WHEN RESPONDING TO RFQ, INSERT NAME AND ADDRESS IN SPACE ABOVE LABELED 'VENDOR'



State of West Virginia  
 Department of Administration  
 Purchasing Division  
 2019 Washington Street East  
 Post Office Box 50130  
 Charleston, WV 25305-0130

**Request for  
 Quotation**

RFQ NUMBER  
**DJS010253**

PAGE  
**5**

ADDRESS CORRESPONDENCE TO ATTENTION OF  
**JOHN ABBOTT  
 304-558-2544**

VENDOR

RFQ COPY  
 TYPE NAME/ADDRESS HERE

SHIP TO

**DIVISION OF JUVENILE SERVICES  
 SECOND FLOOR  
 1200 QUARRIER STREET  
 CHARLESTON, WV  
 25301 304-558-6029**

DATE PRINTED	TERMS OF SALE	SHIP VIA	F.O.B.	FREIGHT TERMS
08/13/2008				

BID OPENING DATE: **08/28/2008** BID OPENING TIME **01:30PM**

LINE	QUANTITY	UOP	CAT. NO.	ITEM NUMBER	UNIT PRICE	AMOUNT
<p>WHICH MAINTAINS ITS HEADQUARTERS OR PRINCIPAL PLACE OF BUSINESS WITHIN WEST VIRGINIA EMPLOYING A MINIMUM OF ONE HUNDRED STATE RESIDENTS WHO CERTIFIES THAT, DURING THE LIFE OF THE CONTRACT, ON AVERAGE AT LEAST 75% OF THE EMPLOYEES OR BIDDERS' AFFILIATE'S OR SUBSIDIARY'S EMPLOYEES ARE RESIDENTS OF WEST VIRGINIA WHO HAVE RESIDED IN THE STATE CONTINUOUSLY FOR THE TWO YEARS IMMEDIATELY PRECEDING SUBMISSION OF THIS BID.</p> <p>BIDDER UNDERSTANDS IF THE SECRETARY OF TAX &amp; REVENUE DETERMINES THAT A BIDDER RECEIVING PREFERENCE HAS FAILED TO CONTINUE TO MEET THE REQUIREMENTS FOR SUCH PREFERENCE, THE SECRETARY MAY ORDER THE DIRECTOR OF PURCHASING TO: (A) RESCIND THE CONTRACT OR PURCHASE ORDER ISSUED; OR (B) ASSESS A PENALTY AGAINST SUCH BIDDER IN AN AMOUNT NOT TO EXCEED 5% OF THE BID AMOUNT AND THAT SUCH PENALTY WILL BE PAID TO THE CONTRACTING AGENCY OR DEDUCTED FROM ANY UNPAID BALANCE ON THE CONTRACT OR PURCHASE ORDER.</p> <p>BY SUBMISSION OF THIS CERTIFICATE, BIDDER AGREES TO DISCLOSE ANY REASONABLY REQUESTED INFORMATION TO THE PURCHASING DIVISION AND AUTHORIZES THE DEPARTMENT OF TAX AND REVENUE TO DISCLOSE TO THE DIRECTOR OF PURCHASING APPROPRIATE INFORMATION VERIFYING THAT BIDDER HAS PAID THE REQUIRED BUSINESS TAXES, PROVIDED THAT SUCH INFORMATION DOES NOT CONTAIN THE AMOUNTS OF TAXES PAID NOR ANY OTHER INFORMATION DEEMED BY THE TAX COMMISSIONER TO BE CONFIDENTIAL.</p> <p>UNDER PENALTY OF LAW FOR FALSE SWEARING (WEST VIRGINIA CODE 61-5-3), BIDDER HEREBY CERTIFIES THAT THIS CERTIFICATE IS TRUE AND ACCURATE IN ALL RESPECTS; AND THAT IF A CONTRACT IS ISSUED TO BIDDER AND IF ANYTHING CONTAINED WITHIN THIS CERTIFICATE CHANGES DURING THE TERM OF THE CONTRACT, BIDDER WILL NOTIFY THE</p>						

SEE REVERSE SIDE FOR TERMS AND CONDITIONS

SIGNATURE	TELEPHONE	DATE
TITLE	FEIN	ADDRESS CHANGES TO BE NOTED ABOVE

WHEN RESPONDING TO RFQ, INSERT NAME AND ADDRESS IN SPACE ABOVE LABELED 'VENDOR'



State of West Virginia  
 Department of Administration  
 Purchasing Division  
 2019 Washington Street East  
 Post Office Box 50130  
 Charleston, WV 25305-0130

# Request for Quotation

RFQ NUMBER  
**DJS010253**

PAGE  
**6**

ADDRESS CORRESPONDENCE TO ATTENTION OF  
**JOHN ABBOTT  
 304-558-2544**

RFQ COPY  
 TYPE NAME/ADDRESS HERE

VENDOR

SHIP TO

**DIVISION OF JUVENILE SERVICES  
 SECOND FLOOR  
 1200 QUARRIER STREET  
 CHARLESTON, WV  
 25301 304-558-6029**

DATE PRINTED	TERMS OF SALE	SHIP VIA	F.O.B.	FREIGHT TERMS
08/13/2008				

BID OPENING DATE: **08/28/2008** BID OPENING TIME **01:30PM**

LINE	QUANTITY	UOP	CAT NO	ITEM NUMBER	UNIT PRICE	AMOUNT
<p>PURCHASING DIVISION IN WRITING IMMEDIATELY.</p> <p>BIDDER: <u>Long's Security Camera Systems LLC</u></p> <p>DATE: <u>08-28-08</u></p> <p>SIGNED: <u>Alan E Long</u></p> <p>TITLE: <u>Owner</u></p> <p>* CHECK ANY COMBINATION OF PREFERENCE CONSIDERATION(S) IN EITHER "A" OR "B", OR BOTH "A" AND "B" WHICH YOU ARE ENTITLED TO RECEIVE. YOU MAY REQUEST UP TO THE MAXIMUM 5% PREFERENCE FOR BOTH "A" AND "B". (REV. 12/00)</p> <p>NOTICE</p> <p>A SIGNED BID MUST BE SUBMITTED TO:</p> <p>DEPARTMENT OF ADMINISTRATION          PURCHASING DIVISION          BUILDING 15          2019 WASHINGTON STREET, EAST          CHARLESTON, WV 25305-0130</p> <p>THE BID SHOULD CONTAIN THIS INFORMATION ON THE FACE OF THE ENVELOPE OR THE BID MAY NOT BE CONSIDERED:</p>						

SEE REVERSE SIDE FOR TERMS AND CONDITIONS

SIGNATURE	TELEPHONE	DATE
TITLE	FEIN	ADDRESS CHANGES TO BE NOTED ABOVE

WHEN RESPONDING TO RFQ, INSERT NAME AND ADDRESS IN SPACE ABOVE LABELED 'VENDOR'



State of West Virginia  
 Department of Administration  
 Purchasing Division  
 2019 Washington Street East  
 Post Office Box 50130  
 Charleston, WV 25305-0130

### Request for Quotation

RFQ NUMBER  
**DJS010253**

PAGE  
**7**

ADDRESS CORRESPONDENCE TO ATTENTION OF  
**JOHN ABBOTT**  
**304-558-2544**

RFQ COPY  
 TYPE NAME/ADDRESS HERE

VENDOR

SHIP TO

**DIVISION OF JUVENILE SERVICES**  
**SECOND FLOOR**  
**1200 QUARRIER STREET**  
**CHARLESTON, WV**  
**25301 304-558-6029**

DATE PRINTED	TERMS OF SALE	SHIP VIA	FOB	FREIGHT TERMS
08/13/2008				

BID OPENING DATE: **08/28/2008** BID OPENING TIME **01:30PM**

LINE	QUANTITY	UOP	CAT NO	ITEM NUMBER	UNIT PRICE	AMOUNT
	SEALED BID					
	BUYER:			JOHN ABBOTT-----		
	RFQ. NO.:			DJS010253-----		
	BID OPENING DATE:			08/28/2008-----		
	BID OPENING TIME:			1:30 PM-----		
	PLEASE PROVIDE A FAX NUMBER IN CASE IT IS NECESSARY TO CONTACT YOU REGARDING YOUR BID:					
				304-925-0338-----		
	CONTACT PERSON (PLEASE PRINT CLEARLY):					
				ALAN E. LONG-----		
	***** THIS IS THE END OF RFQ DJS010253 *****					TOTAL:
	Shipping included - Per lot order					<u>38,756.15</u>

SEE REVERSE SIDE FOR TERMS AND CONDITIONS

SIGNATURE	TELEPHONE	DATE
TITLE	FEIN	ADDRESS CHANGES TO BE NOTED ABOVE

WHEN RESPONDING TO RFQ, INSERT NAME AND ADDRESS IN SPACE ABOVE LABELED 'VENDOR'



STATE OF WEST VIRGINIA  
Purchasing Division

**PURCHASING AFFIDAVIT**

**VENDOR OWING A DEBT TO THE STATE:**

*West Virginia Code* §5A-3-10a provides that: No contract or renewal of any contract may be awarded by the state or any of its political subdivisions to any vendor or prospective vendor when the vendor or prospective vendor or a related party to the vendor or prospective vendor is a debtor and the debt owed is an amount greater than one thousand dollars in the aggregate.

**PUBLIC IMPROVEMENT CONTRACTS & DRUG-FREE WORKPLACE ACT:**

*West Virginia Code* §21-1D-5 provides that: Any solicitation for a public improvement construction contract shall require each vendor that submits a bid for the work to submit at the same time an affidavit that the vendor has a written plan for a drug-free workplace policy in compliance with Article 1D, Chapter 21 of the West Virginia Code. A public improvement construction contract may not be awarded to a vendor who does not have a written plan for a drug-free workplace policy in compliance with Article 1D, Chapter 21 of the West Virginia Code and who has not submitted that plan to the appropriate contracting authority in timely fashion. For a vendor who is a subcontractor, compliance with Section 5, Article 1D, Chapter 21 of the West Virginia Code may take place before their work on the public improvement is begun.

**ANTITRUST:**

In submitting a bid to any agency for the state of West Virginia, the bidder offers and agrees that if the bid is accepted the bidder will convey, sell, assign or transfer to the state of West Virginia all rights, title and interest in and to all causes of action it may now or hereafter acquire under the antitrust laws of the United States and the state of West Virginia for price fixing and/or unreasonable restraints of trade relating to the particular commodities or services purchased or acquired by the state of West Virginia. Such assignment shall be made and become effective at the time the purchasing agency tenders the initial payment to the bidder.

I certify that this bid is made without prior understanding, agreement, or connection with any corporation, firm, limited liability company, partnership or person or entity submitting a bid for the same materials, supplies, equipment or services and is in all respects fair and without collusion or fraud. I further certify that I am authorized to sign the certification on behalf of the bidder or this bid.

**LICENSING:**

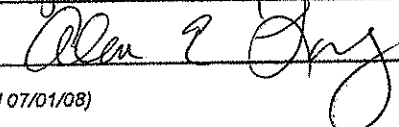
Vendors must be licensed and in good standing in accordance with any and all state and local laws and requirements by any state or local agency of West Virginia, including, but not limited to, the West Virginia Secretary of State's Office, the West Virginia Tax Department, West Virginia Insurance Commission, or any other state agencies or political subdivision. Furthermore, the vendor must provide all necessary releases to obtain information to enable the Director or spending unit to verify that the vendor is licensed and in good standing with the above entities.

**CONFIDENTIALITY:**

The vendor agrees that he or she will not disclose to anyone, directly or indirectly, any such personally identifiable information or other confidential information gained from the agency, unless the individual who is the subject of the information consents to the disclosure in writing or the disclosure is made pursuant to the agency's policies, procedures and rules. Vendors should visit [www.state.wv.us/admin/purchase/privacy](http://www.state.wv.us/admin/purchase/privacy) for the Notice of Agency Confidentiality Policies.

Under penalty of law for false swearing (West Virginia Code §61-5-3), it is hereby certified that the vendor acknowledges the information in this said affidavit and is in compliance with the requirements as stated.

Vendor's Name: Long's Security Camera Systems LLC

Authorized Signature:  Date: 8-28-08

## HD50

[www.honeywellvideo.com](http://www.honeywellvideo.com)

### SUPER HIGH RESOLUTION FIXED LENS VANDAL DOME CAMERA

The Performance Series rounds out Honeywell's camera portfolio with a variety of indoor, outdoor and low light cameras that lets end users pick the perfect camera for virtually any installation. Ideal for a diverse range of applications, the Performance Series includes a wide range of high performing IR bullet cameras and mini-domes that are easy to install and even easier to use.

The HD50 is a rugged indoor/outdoor fixed mini-dome camera. The high-impact dome housing is vandal resistant and weather tight. The integrated housing protects the camera from dust, dirt and water as well as physical harm from strong external impacts (for example, hockey sticks or sledgehammers). The visually appealing low profile design blends with its surroundings, making the HD50 the obvious choice for architecturally sensitive installations. The HD50 incorporates a 1/3" CCD that offers 530 TV lines of crisp, clear horizontal resolution. The cameras come equipped with a built-in fixed lens (f=3.8 mm) and a 3-D axis gimbal that is capable of 360° of pan, 180° of tilt and 360° of horizontal rotation.

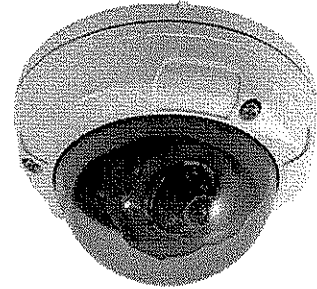
The HD50 installs quickly and easily. It comes standard with a two-conductor pigtail that connects to the barrel connector so there is no need to cut wires during installation. The HD50 is designed for use in challenging environments. It is IP66 rated for outdoor installations, but can also be installed indoors, mounted directly to a ceiling or wall.

#### Market Opportunities

The HD50 is a cost effective surveillance solution for applications that experience changing light conditions throughout the day and require extra illumination at night. The HD50 offers a simple yet solid design that provides optimum performance for both indoor and outdoor applications including lobbies, atriums, vestibules, gated entrances, foyers, loading docks and driveways.

#### Features

- Super high resolution color: 530 TVL - 1/3" Sony Super HAD CCD
- Built-in fixed lens (f=3.8 mm)
- Surface mount enclosure, indoors or outdoors
- Auto White Balance
- Vandal-proof and weather resistant housing with IP66 rating
- 3-D axis gimbal
- Two-conductor pigtail is standard for connection to barrel connector
- 12 VDC Input



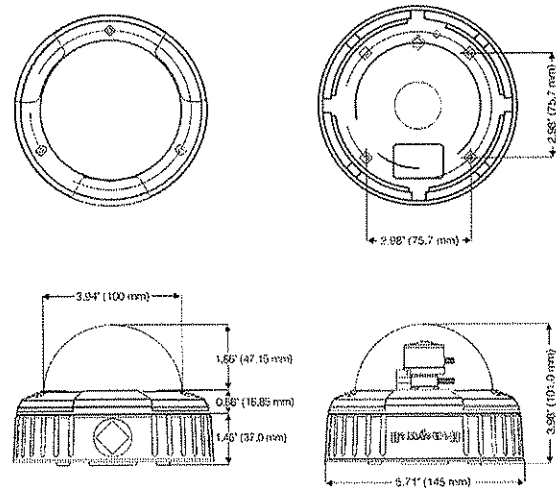
# HD50

www.honeywellvideo.com

## SPECIFICATIONS

Operational	
Video Standard	NTSC, PAL
Scanning System	2:1 Interlace
Image Sensor	1/3" Sony HAD CCD sensor
Number of Pixels (H x V)	811 x 508 (NTSC) 795 x 596 (PAL)
Minimum Illumination	0.3 lux
Horizontal Resolution	530 TVL
Video Output	1.0 Vp-p, composite @ 75 Ohms
Sync System	Internal
S/N Ratio	50 dB or more (AGC Off)
Auto Gain Control	On/Off
Automatic Electronic Iris	1/60–1/100,000 second (NTSC) 1/50–1/100,000 second (PAL)
White Balance	Auto
BLC	On/Off
Gamma	0.45
Lens Type	Built-in fixed (f=3.8 mm)
Angle of View	H: 68° V: 50°
Electrical	
Input Voltage	12 VDC
Input Range	10-14 VDC
Power Consumption	2 W (max)

Mechanical	
Dimensions (W x H x D)	See Diagram
Weight	1.0 lb (0.440 kg)
Construction	Housing: Die Cast Aluminum Dome: Polycarbonate Finish: Light gray powder coating
Connectors	Main Video: BNC connector Power Input: 2.1 mm Plug
Environmental	
Temperature	Operating: -4°F to 122°F (-20°C to 50°C) Storage: -49°F to 167°F (-45°C to 75°C)
Relative Humidity	0% to 90% non-condensing
Rating	IP66
Regulatory	
Emissions	FCC, CE: (EN55022) Class A
Immunity	CE: EN 50130-4
Safety	EU: EN 60065
Accessories	
Power Supplies	
HPT12DC500	12 VAC / 500 mA Plug-in Regulated 2.1 mm Coaxial Plug UL Listed/CSA Certified



Ordering	
HD50	1/3" CCD Vandal Resistant Dome Camera, 530 TVL, Fixed 3.8 mm, 12 VDC NTSC
HD50X	1/3" CCD Vandal Resistant Dome Camera, 530 TVL, Fixed 3.8 mm, 12 VDC PAL

**Honeywell Security**  
Honeywell Video Systems  
2700 Blankenbaker Pkwy, Suite 150  
Louisville, KY 40299  
1.800.796.CCTV (2288)  
www.honeywell.com

L1HD50D/D  
August 2008  
© 2008 Honeywell International Inc.

# Honeywell

## HD73

### SUPER HIGH RESOLUTION TRUE DAY/NIGHT VANDAL DOME CAMERA WITH VARI-FOCAL AUTO IRIS LENS AND INFRARED ILLUMINATORS

The Performance Series rounds out Honeywell's camera portfolio with a variety of indoor, outdoor and low light cameras that lets end users pick the perfect camera for virtually any installation. Perfect for a diverse range of applications, the Performance Series includes a wide range of high performing IR bullet cameras and mini-domes that are easy to install and even easier to use.

The HD73 is a true day/night rugged dome camera 20 integrated LEDs that switches from color to black and white mode. A mechanical IR cut filter within the camera switches capturing perfect color pictures by day and clear black and white images at night. The HD73 incorporates a 1/3" CCD that offers 530 TV lines of crisp, clear horizontal resolution. The cameras come equipped with 20 integrated LEDs and a built-in 3.8-9.5 mm IR corrected aspherical Vari-focal Auto Iris lens for increased optical versatility and no focus shift when the camera switches from day to night mode. The 3-D axis gimbal allows versatile positioning and instant centering of the video image. In addition, the lens is separated from the LEDs by an IR boot mechanism which eliminates internal IR glare.

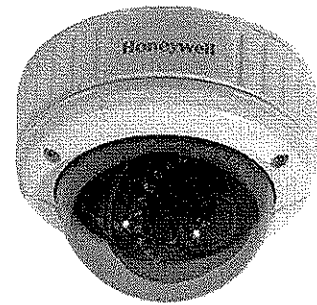
The HD73 installs quickly and easily. It comes standard with a two-conductor pigtail that connects to the barrel connector so there is no need to cut wires during installation. It also features a video out port for easy focus. The HD73 is designed for use in challenging environments. It is IP66 rated for outdoor installations, but is ideal for indoors installations as well, mounting directly to a ceiling or wall.

#### Market Opportunities

The HD73 is a cost effective surveillance solution for applications that experience changing light conditions throughout the day and require extra illumination at night. The HD73 offers a simple yet solid design that provides optimum performance for both indoor and outdoor applications including schools, colleges, universities, hospitals, commercial sites, industrial parks, airports, gated entrances, foyers, loading docks and driveways.

#### Features

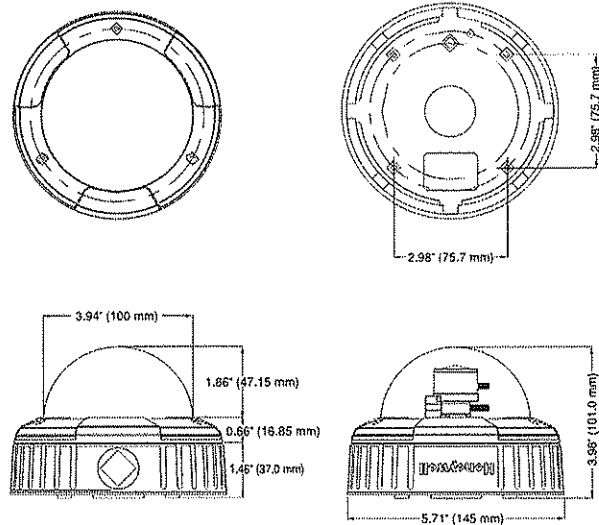
- Super high resolution color: 530 TVL - 1/3" Sony Super HAD CCD
- True Day/night with 20 LEDs
- Photocell-controlled and powered by an array of 20 high-efficiency LEDs (850 nm)
- Photocell-controlled on/off switching of infrared illumination
- Built-in fixed 3.8-9.5 IR corrected aspherical Vari-focal Auto Iris lens
- Auto-iris lens to prevent overexposure and infrared "white out"
- User-friendly design for easy access and adjustment of camera settings
- Even distribution IR for optimal image capture
- Total effectiveness in zero lux environments
- IR LED visible range of ~65 ft. (20m)
- Vandal-proof and weather resistant housing with IP66 rating
- 3-D axis gimbal
- Video out port for setup
- Two-conductor pigtail is standard for connection to barrel connector



## SPECIFICATIONS

Operational	
Video Standard	NTSC, PAL
Scanning System	2:1 Interlace
Image Sensor	1/3" Sony HAD CCD sensor
Number of Pixels (H x V)	811 x 508 (NTSC) 795 x 596 (PAL)
Minimum Illumination	0.0 lux, operates in complete darkness
Horizontal Resolution	530 TVL
Video Output	1.0 Vp-p, composite @ 75 Ohms
Sync System	Internal
S/N Ratio	50 dB or more (AGC Off)
Auto Gain Control	On/Off
Automatic Electronic Shutter	1/60–1/100,000 second (NTSC) 1/50–1/100,000 second (PAL)
White Balance	Auto
IR LEDs	850 nm, 20 LEDs
IR Illumination Distance (dependent on scene reflectance)	~50 ft. (15m)
BLC	On/Off
Gamma	0.45
Lens Type	Built-in fixed (f=3.8-9.5 mm VFAI)
Angle of View	H: 62° - 28° V: 48° - 22°
Electrical	
Input Voltage	12 VDC
Input Range	10-14 VDC
Power Consumption	4.5 W (max) with IR LEDs on
Mechanical	
Dimensions	See Diagram
Weight	1.86 lb (0.84 kg)
Construction	Housing: Die Cast Aluminum Dome: Polycarbonate Finish: Light gray powder coating
Cable Entry	One 3/4" (19.1 mm) NPT threaded opening on side
Connector	Main Video: BNC connector Aux Video: 2-pin connector for video test cable (supplied) Power Input: 2.1 mm Plug

Environmental	
Temperature	Operating: -4°F to 122°F (-20°C to 50°C) Storage: -49°F to 167°F (-45°C to 75°C)
Relative Humidity	0% to 90% non-condensing
Rating	IP66
Regulatory	
Emissions	FCC, CE: (EN55022) Class A
Immunity	CE: EN 50130-4
Safety	EU: EN 60065
Accessories	
Power Supplies	
HPT12DC500	12 VAC/500 mA Plug-in Regulated 2.1 mm Coaxial Plug UL Listed/CSA Certified



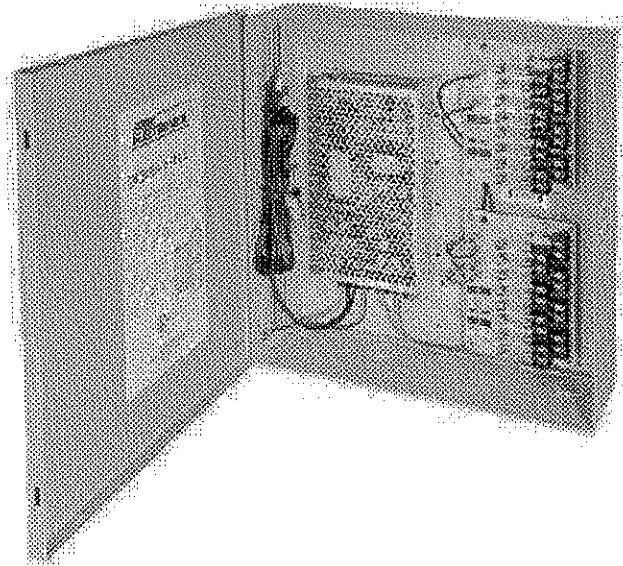
Ordering	
HD73	1/3" CCD Integrated True Day/Night Super High Resolution IR Vandal Resistant Dome Camera, 530 TVL, 20 LEDs, 3.8-9.5 mm VFAI Lens, 12 VDC NTSC
HD73X	1/3" CCD Integrated True Day/Night Super High Resolution IR Vandal Resistant Dome Camera, 530 TVL, 20 LEDs, 3.8-9.5 mm VFAI Lens, 12 VDC PAL

**Honeywell Security**  
Honeywell Video Systems  
2700 Blankenbaker Pkwy, Suite 150  
Louisville, KY 40299  
1.800.796.CCTV (2288)  
www.honeywell.com

L/HD73D/D  
August 2008  
© 2008 Honeywell International Inc.

# Honeywell

# DCR441UL 4 CAMERA 12VDC POWER SUPPLY



## PRODUCT FEATURES

- PTC PROTECTED
- REMOVEABLE GLASS FUSES
- MEETS CLASS 2 REQUIREMENTS
- UL LISTED

## SPECIFICATIONS

AMPERAGE	4 AMP
MAX CURRENT/CHANNEL	1500mA

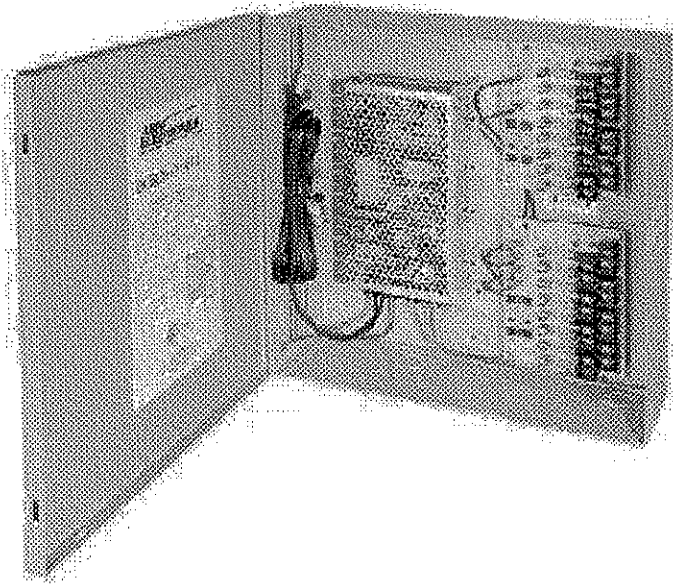
ACCESSORIES/PROBLEM SOLVERS

ARM Electronics  
8860 Industrial Avenue, Suite 140 \* Roseville CA 95678  
Toll Free: 888.271.4544 \* Phone: 916.787.1100  
[www.armelectronics.com](http://www.armelectronics.com) \* [sales@armelectronics.com](mailto:sales@armelectronics.com)

**ARM  
ELECTRONICS**

# DCR841UL

## 8 CAMERA 12VDC POWER SUPPLY



### PRODUCT FEATURES

- PTC PROTECTED
- REMOVEABLE GLASS FUSES
- MEETS CLASS 2 REQUIREMENTS
- UL LISTED

### SPECIFICATIONS

AMPERAGE 4 AMP

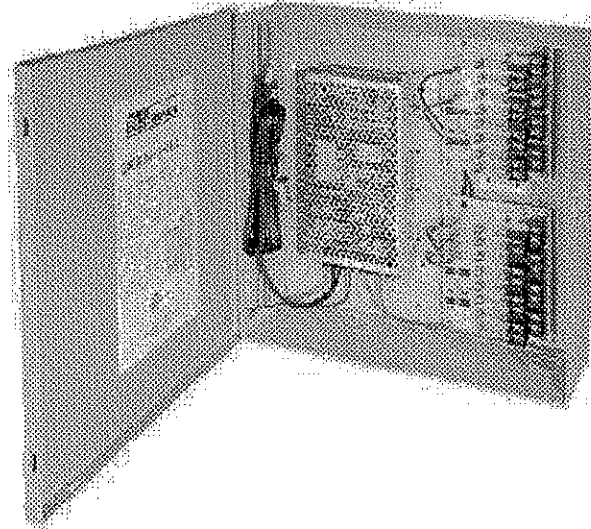
MAX CURRENT/CHANNEL 1500mA

ACCESSORIES/PROBLEM SOLVERS

ARM Electronics  
8860 Industrial Avenue, Suite 140 • Roseville CA 95678  
Toll Free: 888.771.4544 • Phone: 916.787.1100  
www.armelectronics.com • sales@armelectronics.com

**ARM**  
**ELECTRONICS**

# DCR1681UL 16 CAMERA 12VDC POWER SUPPLY



## PRODUCT FEATURES

- PTC PROTECTED
- REMOVEABLE GLASS FUSES
- MEETS CLASS 2 REQUIREMENTS
- UL LISTED

## SPECIFICATIONS

AMPERAGE 8 AMP

MAX CURRENT/CHANNEL 1500mA

ACCESSORIES/PROBLEM SOLVERS

ARM Electronics  
8850 Industrial Avenue, Suite 140 • Roseville CA 95678  
Toll Free: 866.771.4544 • Phone: 916.787.1100  
www.armelectronics.com • sales@armelectronics.com

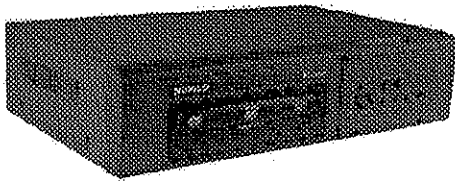




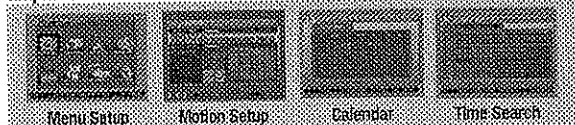
# EV DVR

Most value driven DVR in the market.

## EV-4000N/P



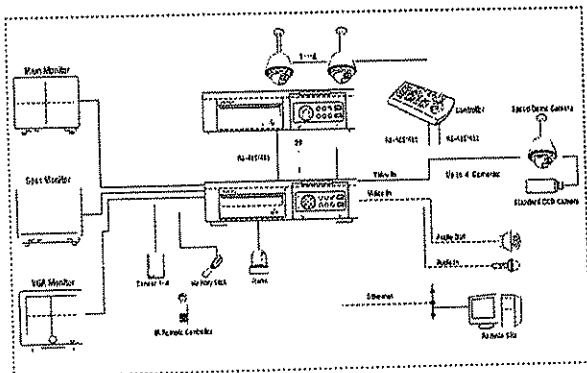
### Graphic Menu



### Key Features

- 4-channel
- Support NTSC & PAL Standards
- Embedded Linux Operating System
- User Friendly Graphic Menu
- Built-in Multiplexer
- Triplex Function - Simultaneous Record / Playback / Network
- MPEG-4 Compression
- Multiple Video Outputs: 1 Composite, 1 Spot, 1 VGA
- Internal HDD Bay: 1(SATA) - Up to 750GB
- Built-in Backup Device: DVD-RW
- Watch Dog / Power Failure Recovery
- Watermark
- Time Synchronization between Multiple DVRs
- 1-ch Audio with Remote Audio over Network
- Software Upgrade via USB Thumbdrive
- IR Remote Controller - Control up to 99 DVRs
- RS-422/485 for PTZ Speed Dome
- NVCK-3X, Controller Keyboard from NUVICO (Option) - Control Multiple NUVICO DVRs and PTZ Speed Domes
- Support Various PTZ Protocols
- Proprietary Dynamic DNS Service for Plug-n-Play Remote Connection

### System Configuration

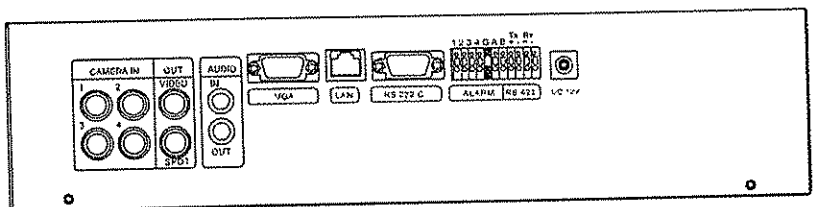


### Technical Specifications

SPECIFICATIONS	EV-4000N/P
Video Format	NTSC / PAL
Operating System	Embedded Linux
Triplex Function	Simultaneous record / playback / network
Video Input	4
Monitor Output	1 Main monitor, 1 spot, 1 VGA
Video Compression Method	MPEG-4
Average File Size	2.5 ~ 8 KB
Maximum Recording Rate & Resolution	120pps @ 360 x 240(NTSC), 100pps @ 360 x 288(PAL) 60pps @ 720 x 240(NTSC), 50pps @ 720 x 288(PAL) 30pps @ 720 x 480(NTSC), 25pps @ 720 x 576(PAL)
Alarm In / Out	4 / 1
System Control	Key buttons, IR remote controller, Remote client PC, and NVCK-3X
Audio In / Out	1 / 1
PTZ Dome & Controller Interface	RS-422 / 485
FEATURES	EV-4000N/P
Display Settings	Brightness, contrast, color adjustments, hidden/covert per channel
Camera Title	12 Characters per channel
Recording Modes	Continuous, schedule, alarm, motion
Recording Adjustments	Frame rate, and picture quality adjustment per channel
Pre-Alarm & Post Alarm Recording	Pre-Alarm: 2 sec. / Post-Alarm: 10 sec. ~ 300 sec.
Motion Detection Per Channel	16 Selectable grids / 20 Sensitivity levels
Search Modes	Time & date, camera, alarm, motion
Power Failure Recovery	Auto reboot while maintaining previous record settings
E-mail Notification	External alarm, video loss, power loss, HDD failure
System Utility	Auto key lock / disk check / fan lock detection
Password	1 Admin, 5 configurable users
Backup Device	DVD-RW
MCD-Player for Backup	Auto installation into DVD during backup
Watermark	Yes
Communication Port	RS-422/485
Internal HDD Bay	1 Bay(SATA) - Up to 750GB
Network	LAN, WAN, Internet
GENERAL	EV-4000N/P
Power Input	100 ~ 230VAC(50~60Hz), Universal
Power Consumption	DC 12V, 5 Amp
Dimensions	350(W)mm x 250(D)mm x 180(H)mm
Weight	3.9 Kg
Operating Temperature	0°C ~ 40°C

Specifications are subject to change without any prior notice.

### Rear View



# NUVICO

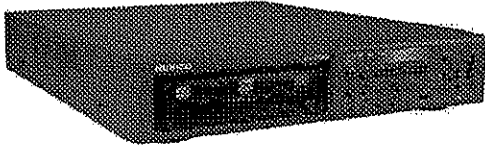
Corporate Headquarters: 1-866-524-1700 • 201-541-1595 • sales@nuvico.com • Customer Service: cs@nuvico.com  
 International Operations: i-exp@nuvico.com • Technical Support: techsupport@nuvico.com



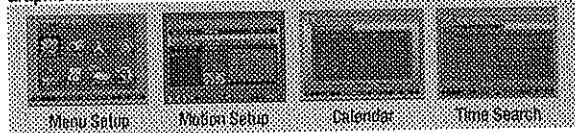
# EV DVR

Most value driven DVR in the market.

## EV-8000N/P • EV-16000N/P



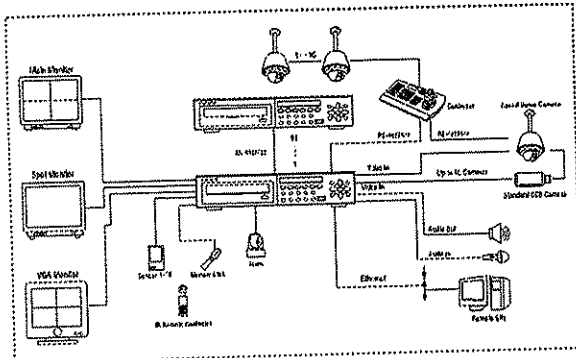
### Graphic Menu



### Key Features

- 8 and 16-channel.
- Support NTSC & PAL Standards
- Embedded Linux Operating System
- User Friendly Graphic Menu
- Built-in Multiplexer
- Triplex Function - Simultaneous Record / Playback / Network
- MPEG-4 Compression
- Multiple Video Outputs: 1 Composite, 1 Spot, 1 VGA
- Internal HDD Bay: 1(SATA) - Up to 750GB
- Built-in Backup Device: DVD-RW
- Watch Dog / Power Failure Recovery
- Watermark
- Time Synchronization between Multiple DVRs
- 1-ch Audio with Remote Audio over Network
- Software Upgrade via USB Thumbdrive
- IR Remote Controller - Control up to 99 DVRs
- RS-422/485 for PTZ Speed Dome
- NVCK-3X, Controller Keyboard from NUVICO (Option) - Control Multiple NUVICO DVRs and PTZ Speed Domes
- Support Various PTZ Protocols
- Proprietary Dynamic DNS Service for Plug-n-Play Remote Connection

### System Configuration

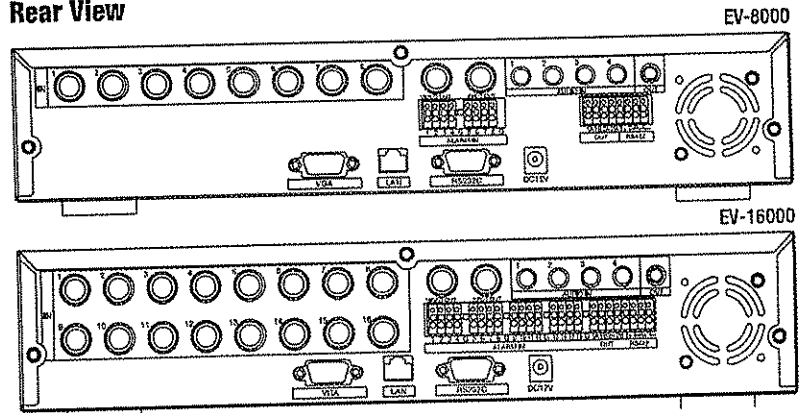


### Technical Specifications

SPECIFICATIONS	EV-8000N/P	EV-16000N/P
Video Format	NTSC / PAL	
Operating System	Embedded Linux	
Triplex Function	Simultaneous record / playback / network	
Video Input	8	16
Monitor Output	1 Main monitor, 1 spot, 1 VGA	
Video Compression Method	MPEG-4	
Average File Size	2.5 - 8 KB	
Maximum Recording Rate & Resolution	120pps @ 360 x 240(NTSC), 100pps @ 360 x 288(PAL)	60pps @ 720 x 240(NTSC), 50pps @ 720 x 288(PAL)
	30pps @ 720 x 480(NTSC), 25pps @ 720 x 576(PAL)	
Alarm In / Out	8 / 2	16 / 2
System Control	Key buttons, IR remote controller, Remote client PC, and NVCK-3X	
Audio In / Out	4 / 1	
PTZ Dome & Controller Interface	RS-422 / 485	
FEATURES	EV-8000N/P	EV-16000N/P
Display Settings	Brightness, contrast, color adjustments, hidden/covert per channel	
Camera Title	12 Characters per channel	
Recording Modes	Continuous, schedule, alarm, motion	
Recording Adjustments	Frame rate and picture quality adjustment per channel	
Pre-Alarm & Post Alarm Recording	Pre-Alarm: 2 sec. / Post-Alarm: 10 sec. - 300 sec.	
Motion Detection Per Channel	16 Selectable grids / 20 Sensitivity levels	
Search Modes	Time & date, camera, alarm, motion	
Power Failure Recovery	Auto reboot while maintaining previous record settings	
E-mail Notification	External alarm, video loss, power loss, HDD failure	
System Utility	Auto key lock / disk check / fan lock detection	
Password	1 Admin, 5 configurable users	
Backup Device	DVD-RW	
MCD-Player for Backup	Auto installation into DVD during backup	
Watermark	Yes	
Communication Port	RS-422/485	
Internal HDD Bay	1 Bay(SATA) - Up to 750GB	
Network	LAN, WAN, Internet	
GENERAL	EV-8000N/P	EV-16000N/P
Power Input	100 - 240VAC(50-60Hz), Universal	
Power Consumption	DC 12V, 5 Amp	
Dimensions	335(W)mm x 398(D)mm x 70(H)mm	
Weight	4 Kg	
Operating Temperature	0°C - 40°C	

Specifications are subject to change without any prior notice.

### Rear View



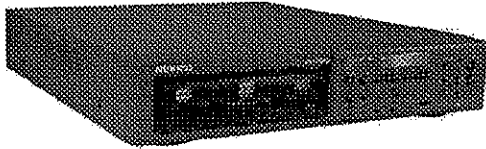
# NUVICO

Corporate Headquarters | 1-866-523-1700 • 201-541-1605 • sales@nuvico.com • Customer Service | cs@nuvico.com  
 International Operations | export@nuvico.com • Technical Support | techsupport@nuvico.com

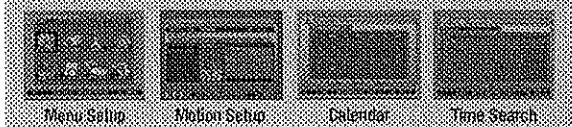
# EV DVR

Most value driven DVR in the market.

## EV-8000N/P • EV-16000N/P



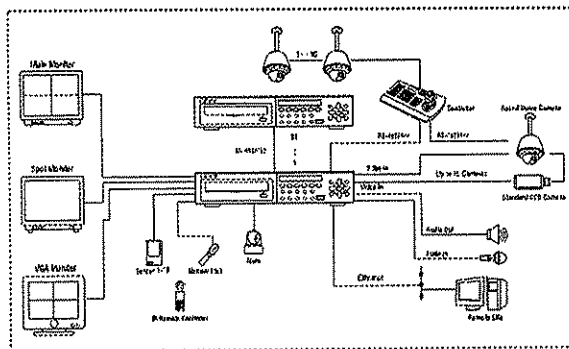
### Graphic Menu



### Key Features

- \* 8 and 16-channel.
- \* Support NTSC & PAL Standards
- \* Embedded Linux Operating System
- \* User Friendly Graphic Menu
- \* Built-in Multiplexer
- \* Triplex Function - Simultaneous Record / Playback / Network
- \* MPEG-4 Compression
- \* Multiple Video Outputs: 1 Composite, 1 Spot, 1 VGA
- \* Internal HDD Bay: 1(SATA) - Up to 750GB
- \* Built-in Backup Device: DVD-RW
- \* Watch Dog / Power Failure Recovery
- \* Watermark
- \* Time Synchronization between Multiple DVRs
- \* 1-ch Audio with Remote Audio over Network
- \* Software Upgrade via USB Thumbdrive
- \* IR Remote Controller - Control up to 99 DVRs
- \* RS-422/485 for PTZ Speed Dome
- \* NVCK-3X, Controller Keyboard from NUVICO (Option) - Control Multiple NUVICO DVRs and PTZ Speed Domes
- \* Support Various PTZ Protocols
- \* Proprietary Dynamic DNS Service for Plug-n-Play Remote Connection

### System Configuration

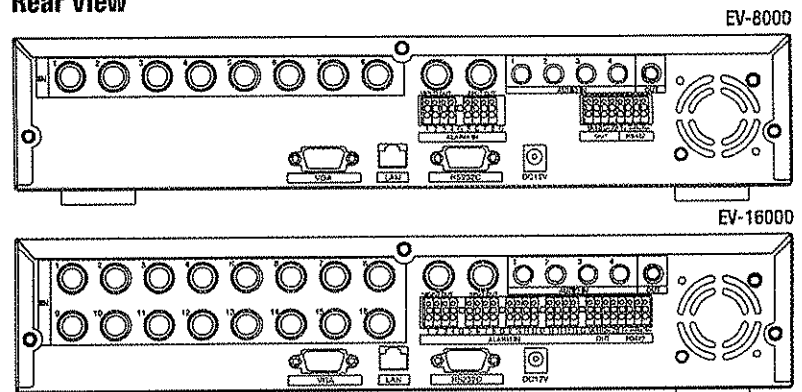


### Technical Specifications

SPECIFICATIONS	EV-8000N/P	EV-16000N/P
Video Format	NTSC / PAL	
Operating System	Embedded Linux	
Triplex Function	Simultaneous record / playback / network	
Video Input	8	16
Monitor Output	1 Main monitor, 1 spot, 1 VGA	
Video Compression Method	MPEG-4	
Average File Size	2.5 ~ 8 KB	
Maximum Recording Rate & Resolution	120pps @ 360 x 240(NTSC), 100pps @ 360 x 288(PAL) 60pps @ 720 x 240(NTSC), 50pps @ 720 x 288(PAL) 30pps @ 720 x 480(NTSC), 25pps @ 720 x 576(PAL)	
Alarm In / Out	8 / 2	16 / 2
System Control	Key buttons, IR remote controller, Remote client PC, and NVCK-3X	
Audio In / Out	4 / 1	
PTZ Dome & Controller Interface	RS-422 / 485	
FEATURES	EV-8000N/P	EV-16000N/P
Display Settings	Brightness, contrast, color adjustments, hidden/covert per channel	
Camera Title	12 Characters per channel	
Recording Modes	Continuous, schedule, alarm, motion	
Recording Adjustments	Frame rate and picture quality adjustment per channel	
Pre-Alarm & Post-Alarm Recording	Pre-Alarm: 2 sec. / Post-Alarm: 10 sec. ~ 300 sec.	
Motion Detection Per Channel	16 Selectable grids / 20 Sensitivity levels	
Search Modes	Time & date, camera, alarm, motion	
Power Failure Recovery	Auto reboot while maintaining previous record settings	
E-mail Notification	External alarm, video loss, power loss, HDD failure	
System Utility	Auto key lock / disk check / fan lock detection	
Password	1 Admin, 5 configurable users	
Backup Device	DVD-RW	
MCD-Player for Backup	Auto installation into DVD during backup	
Watermark	Yes	
Communication Port	RS-422/485	
Internal HDD Bay	1 Bay(SATA) - Up to 750GB	
Network	LAN, WAN, Internet	
GENERAL	EV-8000N/P	EV-16000N/P
Power Input	100 ~ 240VAC(50~60Hz), Universal	
Power Consumption	DC 12V, 5 Amp	
Dimensions	335(W)mm x 398(D)mm x 70(H)mm	
Weight	4 Kg	
Operating Temperature	0°C ~ 40°C	

Specifications are subject to change without any prior notice.

### Rear View



# NUVICO

Corporate Headquarters | 1-866-828-1700 • 201-511-1605 • sales@nuvico.com • Customer Service | 1-800-441-1605  
 International Operations | info@nuvico.com • Technical Support | techsupport@nuvico.com



## HB73

[www.honeywellvideo.com](http://www.honeywellvideo.com)

### SUPER HIGH RESOLUTION TRUE DAY/NIGHT BULLET CAMERA WITH INFRARED ILLUMINATORS

The Performance Series rounds out Honeywell's camera portfolio with a variety of indoor, outdoor and low light cameras that lets end users pick the ideal camera for virtually any installation. Perfect for a diverse range of applications, the Performance Series includes a wide range of high performing IR bullet cameras and mini-domes that are easy to install and even easier to use.

The HB73 IR bullet-style camera comes standard with IR illumination, making it perfect for 24/7 surveillance. When the ambient light drops below a user-defined threshold, the IR LEDs activate, a mechanical IR cut filter within the camera switches, and the camera changes automatically from color to black and white, capturing perfect color pictures by day and clear black and white images at night.

The 3.8-9.5 mm F1.2 IR corrected aspherical Vari-focal Auto Iris lens offers a wide field of view range and no focus shift when the camera switches from day to night mode. Digital Noise Reduction (DNR) removes noise artifacts, increasing the performance of motion detection—giving users the ability to record for longer periods using their existing DVR unit. Digital Slow Shutter (DSS) technology improves the light sensitivity of the camera and extends its usable range.

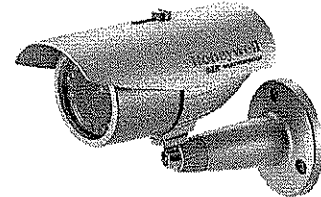
The HB73 installs easily and quickly. It comes standard with a two-conductor pigtail that connects to the barrel connector so there is no need to cut wires during installation. The mounting bracket installs quickly and securely with three screws on walls or ceilings, indoors or out.

#### Market Opportunities

The HB73 is a cost effective surveillance solution for applications that experience changing light conditions throughout the day and require extra illumination at night. The HB73 offers a simple yet solid design that provides optimum performance for both indoor and outdoor applications including lobbies, atriums, vestibules, gated entrances, foyers, loading docks and driveways.

#### Features

- Discreet, bullet-style camera with switchable IR cut filter and 18 IR LEDs
- Weatherproof housing with IP 65 rating
- 3.8-9.5 mm, F1.2 built-in Vari-focal lens
- Super high resolution color: 550 TVL - 1/3" Sony Super HAD CCD
- Super Digital Noise Reduction technology for noise free images
- IR LED visible range of 65 ft. (20m)
- Easy to install mounting bracket reduces installation time
- Two-conductor pigtail is standard for connection to barrel connector
- Equalization valve prevents vacuum effect caused by sudden changes in barometric pressure



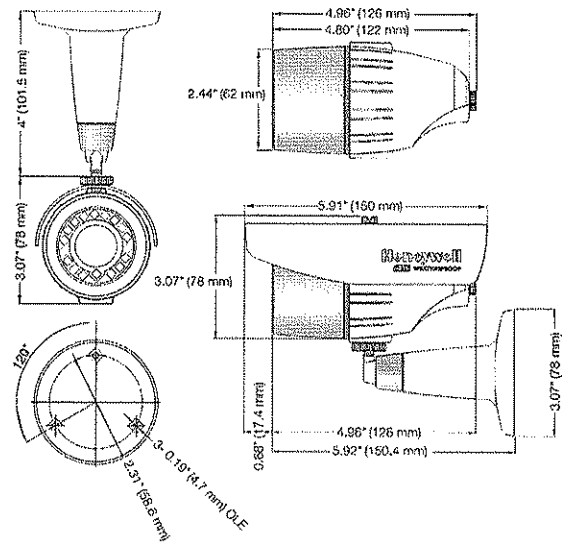
# HB73

www.honeywellvideo.com

## SPECIFICATIONS

Operational	
Video Standard	NTSC, PAL
Scanning System	525/60 lines (NTSC) 625/50 lines (PAL)
Image Sensor	1/3" Sony HAD CCD sensor
Number of Pixels (H x V)	HB73: 811x508 (NTSC) HB73X: 795x596 (PAL)
Minimum Illumination	0.3 lux day/0 lux night, operates in complete darkness
Horizontal Resolution	550 TVL
Video Output	1.0 Vp-p @ 75 Ohms
Sync System	Internal
S/N Ratio	50 dB or more (AGC off)
Auto Gain Control	Off/On
ALC	Adjustable Level Control
Automatic Electronic Shutter	1/60–1/120,000 sec (NTSC) 1/50–1/120,000 sec (PAL)
Lens Type	3.8–9.5 mm Vari-focal lens, IR corrected F1.2
Horizontal Field of View	64.4 to 28.6°
White Balance	Auto
BLC	Off/On
Gamma	0.45
IR LEDs	850 nm, 18 LEDs
IR Illumination Distance	65 ft (20m)
DNR	Auto
DSS	Max 32X
Electrical	
Input Voltage	12 VDC
Input Range	10 VDC – 15 VDC
Power Consumption	4.2 W (max) with IR LEDs on

Mechanical	
Dimensions	See Diagrams
Weight	1.76 lb (0.8 kg)
Construction	Finish: Brushed and anodized aluminum with sunshield
Color	Silver
Connector	Main Video Output: BNC connector Aux Video Output: 2-pin connector with supported BNC lead Power Input: 10 VDC – 15 VDC
Environmental	
Temperature	Operating: 14°F to 113°F (-10°C to 45°C) Storage: -4°F to 149°F (-20°C to 65°C)
Rating	IP65
Regulatory	
Emissions	FCC CE: EN 55022 Class A
Immunity	CE: EN 50130-4
Safety	EU: EN 60065
Accessories	
Power Supplies	
HPT12DC500	12 VAC/500 mA Plug-in Regulated 2.1 mm Coaxial Plug UL Listed/CSA Certified



Ordering	
HB73	1/3" CCD Super High Resolution IR Bullet Camera, TDN, DNR, 550 TVL, 3.8-9.5 mm, 18 IR LED, NTSC
HB73X	1/3" CCD Super High Resolution IR Bullet Camera, TDN, DNR, 550 TVL, 3.8-9.5 mm, 18 IR LED, PAL

### Honeywell Security

Honeywell Video Systems  
2700 Blankenbaker Pkwy, Suite 150  
Louisville, KY 40299  
1.800.796.2288 (CCTV)  
www.honeywell.com

L/HB73D/D  
July 2008  
© 2008 Honeywell International Inc.

# Honeywell