



State of West Virginia
 Department of Administration
 Purchasing Division
 2019 Washington Street East
 Post Office Box 50130
 Charleston, WV 25305-0130

Request for Quotation

RFQ NUMBER
DEP14244

PAGE
1

ADDRESS CORRESPONDENCE TO ATTENTION OF
CHUCK BOWMAN
304-558-2157

VENDOR
 *604150016 304-372-4378
 EAGLE EXCAVATING INC
 PO BOX 218
 KENNA WV 25248

SHIP TO
 ENVIRONMENTAL PROTECTION
 DEPT. OF
 OFFICE OF SPECIAL RECLAMATION
 116 INDUSTRIAL DRIVE
 OAK HILL, WV
 25901 304-465-1911

DATE PRINTED	TERMS OF SALE	SHIP VIA	F.O.B	FREIGHT TERMS
02/07/2008				

BID OPENING DATE: **03/27/2008** BID OPENING TIME **01:30PM**

LINE	QUANTITY	UOP	CAT NO.	ITEM NUMBER	UNIT PRICE	AMOUNT
0001	1	JB		962-73		\$204,000 ⁰⁰
<p>RECLAMATION: RESTORATION OF LAND</p> <p>SPECIAL RECLAMATION/BOND FORFEITURE PROJECT</p> <p>THE WEST VIRGINIA PURCHASING DIVISION, FOR THE AGENCY, THE WEST VIRGINIA DEPARTMENT OF ENVIRONMENTAL PROTECTION, IS SOLICITING BIDS FROM QUALIFIED CONTRACTORS FOR A CONTRACT TO PROVIDE ALL LABOR AND MATERIALS TO PERFORM RECLAMATION ON THE MINING OPERATION OF GREEN MOUNTAIN ENERGY, INC. , NOW UNDER REVOKED PERMIT NUMBER(S) U-4013-91. THIS SITE CONSISTS OF APPROXIMATELY 5 ACRES AND IS LOCATED NEAR OTSEGO, WV IN WYOMING COUNTY.</p> <p>THE RECLAMATION SHALL BE PERFORMED UNDER THE GUIDANCE AND GENERAL SUPERVISION OF THE AGENT ASSIGNED TO THE PROJECT FOR THE STATE OF WEST VIRGINIA, DEPARTMENT OF ENVIRONMENTAL PROTECTION.</p> <p>A MANDATORY ON-SITE PREBID CONFERENCE SHALL BE HELD ON 02/28/2008 @ 10:00 AM. FAILURE TO ATTEND THE PREBID CONFERENCE WILL RESULT IN BID DISQUALIFICATION.</p> <p>DIRECTIONS TO PREBID: FROM THE INTERESECTION OF RT. 16 AND RT. 54 AT MULLENS, TAKE RT. 54 NORTH TOWARD MABEN. TRAVEL 2.4 MILES AND TURN RIGHT ONTO OTSEGO ROAD (CO. RT. 5/5). TRAVEL 0.1 MILE, TURN LEFT & CROSS BRIDGE. TRAVEL 0.1 MILE & TURN RIGHT. TRAVEL 200 FT. AND KEEP STRAIGHT. TRAVEL 0.2 MILE AND TURN LEFT. TRAVEL 0.8 MILE TO THE MINE SITE.</p>						

SEE REVERSE SIDE FOR TERMS AND CONDITIONS

SIGNATURE <i>Meike S Freshour</i>	TELEPHONE 372-4378	DATE 3-27-08
TITLE PRESIDENT	FEIN 55-0762758	ADDRESS CHANGES TO BE NOTED ABOVE

WHEN RESPONDING TO RFQ, INSERT NAME AND ADDRESS IN SPACE ABOVE LABELED 'VENDOR'

**GENERAL TERMS & CONDITIONS
REQUEST FOR QUOTATION (RFQ) AND REQUEST FOR PROPOSAL (RFP)**

1. Awards will be made in the best interest of the State of West Virginia.
2. The State may accept or reject in part, or in whole, any bid.
3. All quotations are governed by the *West Virginia Code* and the *Legislative Rules* of the Purchasing Division.
4. Prior to any award, the apparent successful vendor must be properly registered with the Purchasing Division and have paid the required \$125.00 registration fee.
5. All services performed or goods delivered under State Purchase Orders/Contracts are to be continued for the term of the Purchase Order/Contract, contingent upon funds being appropriated by the Legislature or otherwise being made available. In the event funds are not appropriated or otherwise available for these services or goods, this Purchase Order/Contract becomes void and of no effect after June 30.
6. Payment may only be made after the delivery and acceptance of goods or services.
7. Interest may be paid for late payment in accordance with the *West Virginia Code*.
8. Vendor preference will be granted upon written request in accordance with the *West Virginia Code*.
9. The State of West Virginia is exempt from federal and state taxes and will not pay or reimburse such taxes.
10. The Director of Purchasing may cancel any Purchase Order/Contract upon 30 days written notice to the seller.
11. The laws of the State of West Virginia and the *Legislative Rules* of the Purchasing Division shall govern all rights and duties under the Contract, including without limitation the validity of this Purchase Order/Contract.
12. Any reference to automatic renewal is hereby deleted. The Contract may be renewed only upon mutual written agreement of the parties.
13. **BANKRUPTCY:** In the event the vendor/contractor files for bankruptcy protection, this Contract may be deemed null and void, and terminated without further order.
14. **HIPAA Business Associate Addendum** - The West Virginia State Government HIPAA Business Associate Addendum (BAA), approved by the Attorney General, and available online at the Purchasing Division's web site (<http://www.state.wv.us/admin/purchase/vrc/hipaa.htm>) is hereby made part of the agreement. Provided that, the Agency meets the definition of a Covered Entity (45 CFR §160.103) and will be disclosing Protected Health Information (45 CFR §160.103) to the vendor.

INSTRUCTIONS TO BIDDERS

1. Use the quotation forms provided by the Purchasing Division.
2. **SPECIFICATIONS:** Items offered must be in compliance with the specifications. Any deviation from the specifications must be clearly indicated by the bidder. Alternates offered by the bidder as **EQUAL** to the specifications must be clearly defined. A bidder offering an alternate should attach complete specifications and literature to the bid. The Purchasing Division may waive minor deviations to specifications.
3. Complete all sections of the quotation form.
4. Unit prices shall prevail in cases of discrepancy.
5. All quotations are considered F.O.B. destination unless alternate shipping terms are clearly identified in the quotation.
6. **BID SUBMISSION:** All quotations must be delivered by the bidder to the office listed below prior to the date and time of the bid opening. Failure of the bidder to deliver the quotations on time will result in bid disqualifications.

SIGNED BID TO:

Department of Administration
Purchasing Division
2019 Washington Street East
Post Office Box 50130
Charleston, WV 25305-0130



State of West Virginia
 Department of Administration
 Purchasing Division
 2019 Washington Street East
 Post Office Box 50130
 Charleston, WV 25305-0130

Request for Quotation

RFQ NUMBER
DEP14244

PAGE
2

ADDRESS CORRESPONDENCE TO ATTENTION OF:
CHUCK BOWMAN 304-558-2157

VENDOR
 *604150016 304-372-4378
 EAGLE EXCAVATING INC
 PO BOX 218
 KENNA WV 25248

SHIP TO
 ENVIRONMENTAL PROTECTION
 DEPT. OF
 OFFICE OF SPECIAL RECLAMATION
 116 INDUSTRIAL DRIVE
 OAK HILL, WV
 25901 304-465-1911

DATE PRINTED	TERMS OF SALE	SHIP VIA	F.O.B.	FREIGHT TERMS
02/07/2008				

BID OPENING DATE: **03/27/2008** BID OPENING TIME **01:30PM**

LINE	QUANTITY	UOP	CAT NO	ITEM NUMBER	UNIT PRICE	AMOUNT
<p>ALL WORK MUST BE COMPLETED IN ACCORDANCE WITH THE PLANS AND SPECIFICATIONS PREPARED BY THE DEPARTMENT OF ENVIRONMENTAL PROTECTION AND PURCHASE ORDER ISSUED BY THE DEPARTMENT OF ADMINISTRATION, DIVISION OF PURCHASING.</p> <p>EXHIBIT 5</p> <p>NOTICE TO PROCEED: THIS CONTRACT IS TO BE PERFORMED WITHIN 365 CALENDAR DAYS AFTER THE NOTICE TO PROCEED IS RECEIVED. UNLESS OTHERWISE SPECIFIED, THE FULLY EXECUTED PURCHASE ORDER WILL BE CONSIDERED NOTICE TO PROCEED.</p> <p>CANCELLATION: THE DIRECTOR OF PURCHASING RESERVES THE RIGHT TO CANCEL THIS CONTRACT IMMEDIATELY UPON WRITTEN NOTICE TO THE VENDOR IF THE MATERIALS OR WORKMANSHIP SUPPLIED ARE OF AN INFERIOR QUALITY OR DO NOT CONFORM WITH THE SPECIFICATIONS OF THE THE BID AND CONTRACT HEREIN.</p> <p>WAGE RATES: THE CONTRACTOR OR SUBCONTRACTOR SHALL PAY THE HIGHER OF THE U.S. DEPARTMENT OF LABOR MINIMUM WAG RATES AS ESTABLISHED FOR WYOMING COUNTY, PURSUANT TO WEST VIRGINIA CODE 21-5A, ET,SEQ.</p> <p>ARBITRATION: ANY REFERENCES MADE TO ARBITRATION OR INTEREST FOR PAYMENTS DUE (EXCEPT FOR ANY INTEREST REQUIRED BY STATE LAW) CONTAINED IN THIS CONTRACT OR IN ANY AMERICAN INSTITUTE OF ARCHITECTS DOCUMENTS PERTAINING TO THIS CONTRACT ARE HEREBY DELETED.</p> <p>WORKERS' COMPENSATION: VENDOR IS REQUIRED TO PROVIDE A CERTIFICATE FROM WORKERS' COMPENSATION IF SUCCESSFUL.</p>						

SEE REVERSE SIDE FOR TERMS AND CONDITIONS

SIGNATURE <i>Mike J Freshour</i>	TELEPHONE 372-4378	DATE 3-27-08
TITLE PRESIDENT	FEIN 55-0762758	ADDRESS CHANGES TO BE NOTED ABOVE

WHEN RESPONDING TO RFQ, INSERT NAME AND ADDRESS IN SPACE ABOVE LABELED 'VENDOR'



State of West Virginia
 Department of Administration
 Purchasing Division
 2019 Washington Street East
 Post Office Box 50130
 Charleston, WV 25305-0130

**Request for
 Quotation**

RFQ NUMBER
DEP14244

PAGE
3

ADDRESS CORRESPONDENCE TO ATTENTION OF
CHUCK BOWMAN 304-558-2157

VENDOR

*604150016 304-372-4378
 EAGLE EXCAVATING INC
 PO BOX 218
 KENNA WV 25248

SHIP TO

ENVIRONMENTAL PROTECTION
 DEPT. OF
 OFFICE OF SPECIAL RECLAMATION
 116 INDUSTRIAL DRIVE
 OAK HILL, WV
 25901 304-465-1911

DATE PRINTED	TERMS OF SALE	SHIP VIA	F.O.B.	FREIGHT TERMS
02/07/2008				

BID OPENING DATE: **03/27/2008** BID OPENING TIME **01:30PM**

LINE	QUANTITY	UOP	CAT NO.	ITEM NUMBER	UNIT PRICE	AMOUNT
<p>ALL OF THE ITEMS CHECKED BELOW WILL BE A REQUIREMENT OF THIS CONTRACT:</p> <p>(XX) INSURANCE: SUCCESSFUL VENDOR SHALL FURNISH PROOF OF COMMERCIAL GENERAL LIABILITY INSURANCE PRIOR TO ISSUANCE OF CONTRACT. UNLESS OTHERWISE SPECIFIED IN THE BID DOCUMENTS, THE MINIMUM AMOUNT OF INSURANCE COVERAGE REQUIRED IS \$250,000.</p> <p>() BUILDERS RISK INSURANCE: SUCCESSFUL VENDOR SHALL FURNISH PROOF OF BUILDERS RISK - ALL RISK INSURANCE IN AN AMOUNT EQUAL TO 100% OF THE AMOUNT OF THE CONTRACT.</p> <p>(XX) BONDS: FIVE PERCENT (5%) OF THE TOTAL AMOUNT OF THE BID PAYABLE TO THE STATE OF WEST VIRGINIA, SHALL BE SUBMITTED WITH EACH BID AS A BID BOND. THE SUCCESSFUL BIDDER SHALL ALSO FURNISH A PERFORMANCE BOND AND LABOR MATERIAL BOND FOR 100% OF THE AMOUNT OF THE CONTRACT. BONDS MAY BE PROVIDED IN THE FORM OF A CERTIFIED CHECK, IRREVOCABLE LETTER OF CREDIT, OR BOND FURNISHED BY A SOLVENT SURETY COMPANY AUTHORIZED TO DO BUSINESS IN THE STATE OF WEST VIRGINIA. A LETTER OF CREDIT SUBMITTED IN LIEU OF A PERFORMANCE AND LABOR & MATERIAL BOND WILL ONLY BE ALLOWED FOR PROJECTS UNDER \$100,000. PERSONAL OR BUSINESS CHECKS ARE NOT ACCEPTABLE IN LIEU OF THE 5% BID BOND, PERFORMANCE BOND, OR LABOR/MATERIAL BOND.</p> <p>() MAINTENANCE BOND: A TWO (2) YEAR MAINTENANCE BOND COVERING THE ROOFING SYSTEM WILL BE A REQUIREMENT OF THE SUCCESSFUL VENDOR.</p> <p>REV. 11/00</p> <p>CONTRACTORS LICENSE</p>						

SEE REVERSE SIDE FOR TERMS AND CONDITIONS

SIGNATURE	TELEPHONE	DATE
<i>Meike S. Freshour</i>	372-4378	3-27-08
TITLE	FEIN	ADDRESS CHANGES TO BE NOTED ABOVE
<i>PRESIDENT</i>	55-0762758	

WHEN RESPONDING TO RFQ, INSERT NAME AND ADDRESS IN SPACE ABOVE LABELED 'VENDOR'



State of West Virginia
 Department of Administration
 Purchasing Division
 2019 Washington Street East
 Post Office Box 50130
 Charleston, WV 25305-0130

Request for Quotation

RFQ NUMBER
DEP14244

PAGE
4

ADDRESS CORRESPONDENCE TO ATTENTION OF
CHUCK BOWMAN 304-558-2157

VENDOR

*604150016 304-372-4378
 EAGLE EXCAVATING INC
 PO BOX 218
 KENNA WV 25248

SHIP TO

ENVIRONMENTAL PROTECTION
 DEPT. OF
 OFFICE OF SPECIAL RECLAMATION
 116 INDUSTRIAL DRIVE
 OAK HILL, WV
 25901 304-465-1911

DATE PRINTED	TERMS OF SALE	SHIP VIA	F.O.B.	FREIGHT TERMS
02/07/2008				

BID OPENING DATE: **03/27/2008** BID OPENING TIME **01:30PM**

LINE	QUANTITY	UOP	CAT NO.	ITEM NUMBER	UNIT PRICE	AMOUNT
<p>WEST VIRGINIA STATE CODE 21-11-2 REQUIRES THAT ALL PERSONS DESIRING TO PERFORM CONTRACTING WORK IN THIS STATE MUST BE LICENSED. THE WEST VIRGINIA CONTRACTORS LICENSING BOARD IS EMPOWERED TO ISSUE THE CONTRACTORS LICENSE. APPLICATIONS FOR A CONTRACTORS LICENSE MAY BE MADE BY CONTACTING THE WEST VIRGINIA DIVISION OF LABOR CAPITOL COMPLEX, BUILDING 3, ROOM 319, CHARLESTON, WV 25305. TELEPHONE: (304) 558-7890.</p> <p>WEST VIRGINIA STATE CODE 21-11-11 REQUIRES ANY PROSPECTIVE BIDDER TO INCLUDE THE CONTRACTORS LICENSE NUMBER ON THEIR BID.</p> <p>BIDDER TO COMPLETE: <i>EAGLE EXCAVATION INC</i> CONTRACTORS NAME - <i>EAGLE EXCAVATION INC</i> CONTRACTORS LICENSE NO. - <i>WV 032594</i></p> <p>THE SUCCESSFUL BIDDER IS REQUIRED TO FURNISH A COPY OF THEIR CONTRACTORS LICENSE PRIOR TO ISSUANCE OF A PURCHASE ORDER/CONTRACT.</p> <p style="text-align: center;">APPLICABLE LAW</p> <p>THE WEST VIRGINIA STATE CODE, PURCHASING DIVISION RULES AND REGULATIONS, AND THE INFORMATION PROVIDED IN THE "REQUEST FOR QUOTATION" ISSUED BY THE PURCHASING DIVISION IS THE SOLE AUTHORITY GOVERNING THIS PROCUREMENT.</p> <p>ANY INFORMATION PROVIDED IN SPECIFICATION MANUALS, OR ANY OTHER SOURCE, VERBAL OR WRITTEN, WHICH CONTRADICTS OR ALTERS THE INFORMATION PROVIDED FROM THE SOURCES AS DESCRIBED IN THE ABOVE PARAGRAPH IS VOID AND OF NO EFFECT.</p>						

SEE REVERSE SIDE FOR TERMS AND CONDITIONS			
SIGNATURE	TELEPHONE	DATE	
<i>Mike S Freshour</i>	<i>372-4378</i>	<i>3-27-08</i>	
TITLE	FEIN	ADDRESS CHANGES TO BE NOTED ABOVE	
<i>PRESIDENT</i>	<i>55-0762758</i>		

WHEN RESPONDING TO RFQ, INSERT NAME AND ADDRESS IN SPACE ABOVE LABELED 'VENDOR'



State of West Virginia
 Department of Administration
 Purchasing Division
 2019 Washington Street East
 Post Office Box 50130
 Charleston, WV 25305-0130

Request for Quotation

RFO NUMBER
DEP14244

PAGE
5

ADDRESS CORRESPONDENCE TO ATTENTION OF
CHUCK BOWMAN 304-558-2157

VENDOR

*604150016 304-372-4378
 EAGLE EXCAVATING INC
 PO BOX 218
 KENNA WV 25248

SHIP TO

ENVIRONMENTAL PROTECTION
 DEPT. OF
 OFFICE OF SPECIAL RECLAMATION
 116 INDUSTRIAL DRIVE
 OAK HILL, WV
 25901 304-465-1911

DATE PRINTED	TERMS OF SALE	SHIP VIA	F.O.B.	FREIGHT TERMS
02/07/2008				

BID OPENING DATE: **03/27/2008** BID OPENING TIME **01:30PM**

LINE	QUANTITY	UOP	CAT NO.	ITEM NUMBER	UNIT PRICE	AMOUNT
<p>BANKRUPTCY: IN THE EVENT THE VENDOR/CONTRACTOR FILES FOR BANKRUPTCY PROTECTION, THIS CONTRACT IS AUTOMATICALLY NULL AND VOID, AND IS TERMINATED WITHOUT FURTHER ORDER.</p> <p>PREFERENCE FOR USE OF DOMESTIC STEEL PRODUCTS</p> <p>1. EXCEPT WHEN AUTHORIZED BY THE DIRECTOR OF THE PURCHASING DIVISION PURSUANT TO SUBSECTION 2 BELOW, NO CONTRACTOR MAY USE OR SUPPLY STEEL PRODUCTS FOR A STATE CONTRACT PROJECT OTHER THAN THOSE STEEL PRODUCTS MADE IN THE UNITED STATES. AS USED IN THIS CONTRACT,</p> <p>A. "STATE CONTRACT PROJECT" MEANS ANY ERECTION OR CONSTRUCTION OF, OR ANY ADDITION TO, ALTERATION OF OR OTHER IMPROVEMENT TO ANY BUILDING OR STRUCTURE, INCLUDING, BUT NOT LIMITED TO, ROAD OR HIGHWAYS, OR THE INSTALLATION OF ANY HEATING OR COOLING OR VENTILATING PLANTS OR OTHER EQUIPMENT, OR THE SUPPLY OF AND MATERIALS FOR SUCH PROJECTS, PURSUANT TO A CONTRACT WITH THE STATE OF WEST VIRGINIA FOR WHICH BIDS WERE SOLICITED ON OR AFTER JUNE 6, 2001.</p> <p>B. "STEEL PRODUCTS" MEANS PRODUCTS ROLLED, FORMED, SHAPED, DRAWN, EXTRUDED, FORGED, CAST, FABRICATED OR OTHERWISE SIMILARLY PROCESSED, OR PROCESSED BY A COMBINATION OF TWO OR MORE OF SUCH OPERATIONS, FROM STEEL MADE BY THE OPEN HEARTH, BASIC OXYGEN, ELECTRIC FURNACE, BESSEMER OR OTHER STEEL MAKING PROCESS.</p> <p>C. "UNITED STATES" MEANS THE UNITED STATES OF AMERICA AND INCLUDES ALL TERRITORY, CONTINENTAL OR INSULAR, SUBJECT TO THE JURISDICTION OF THE</p>						

SEE REVERSE SIDE FOR TERMS AND CONDITIONS

SIGNATURE	TELEPHONE	DATE
<i>Meike S. Fushou</i>	372-4378	3-27-08
TITLE	FEIN	ADDRESS CHANGES TO BE NOTED ABOVE
<i>PRESIDENT</i>	55-0762758	

WHEN RESPONDING TO RFQ, INSERT NAME AND ADDRESS IN SPACE ABOVE LABELED 'VENDOR'



State of West Virginia
 Department of Administration
 Purchasing Division
 2019 Washington Street East
 Post Office Box 50130
 Charleston, WV 25305-0130

**Request for
 Quotation**

RFQ NUMBER
 DEP14244

PAGE
 6

ADDRESS CORRESPONDENCE TO ATTENTION OF
 CHUCK BOWMAN
 304-558-2157

VENDOR
 *604150016 304-372-4378
 EAGLE EXCAVATING INC
 PO BOX 218
 KENNA WV 25248

SHIP TO
 ENVIRONMENTAL PROTECTION
 DEPT. OF
 OFFICE OF SPECIAL RECLAMATION
 116 INDUSTRIAL DRIVE
 OAK HILL, WV
 25901 304-465-1911

DATE PRINTED 02/07/2008	TERMS OF SALE	SHIP VIA	F.O.B.	FREIGHT TERMS
----------------------------	---------------	----------	--------	---------------

BID OPENING DATE: 03/27/2008 BID OPENING TIME 01:30PM

LINE	QUANTITY	UOP	CAT NO	ITEM NUMBER	UNIT PRICE	AMOUNT
UNITED STATES.						
2.						
<p>THE DIRECTOR OF THE PURCHASING DIVISION MAY, IN WRITING, AUTHORIZE THE USE OF FOREIGN STEEL PRODUCTS IF:</p> <p>A. THE COST FOR EACH CONTRACT ITEM USED DOES NOT EXCEED ONE TENTH OF ONE PERCENT (.1%) OF THE TOTAL CONTRACT COST OR TWO THOUSAND FIVE HUNDRED DOLLARS (2,500.00), WHICHEVER IS GREATER. FOR THE PURPOSES OF THIS SECTION, THE COST IS THE VALUE OF THE STEEL PRODUCT AS DELIVERED TO THE PROJECT OR,</p> <p>B. THE DIRECTOR OF THE PURCHASING DIVISION DETERMINES THAT SPECIFIED STEEL MATERIALS ARE NOT PRODUCED IN THE UNITED STATES IN SUFFICIENT QUANTITY OR OTHERWISE ARE NOT REASONABLY AVAILABLE TO MEET CONTRACT REQUIREMENTS.</p>						
3.						
<p>A CONTRACTOR WHO USES STEEL PRODUCTS IN VIOLATION OF THIS SECTION MAY BE SUBJECT TO CIVIL PENALTIES PURSUANT TO WV CODE SECTION 5A-3-56.</p>						
REV. 10/01/01						
EXHIBIT 7						
DOMESTIC ALUMINUM, GLASS & STEEL IN PUBLIC WORKS PROJECTS						
IN ACCORDANCE WITH WEST VIRGINIA CODE 5-19-1 ET., SEQ., EVERY CONTRACT FOR CONSTRUCTION, RECONSTRUCTION, ALTERATION, REPAIR, IMPROVEMENT OR MAINTENANCE OF PUBLIC WORKS, WHERE THE COST IS MORE THAN \$50,000 AND,						

SEE REVERSE SIDE FOR TERMS AND CONDITIONS

SIGNATURE <i>Mike Freshow</i>	TELEPHONE 372-4378	DATE 3-27-08
TITLE PRESIDENT	FEIN 55-0762758	ADDRESS CHANGES TO BE NOTED ABOVE

WHEN RESPONDING TO RFQ, INSERT NAME AND ADDRESS IN SPACE ABOVE LABELED 'VENDOR'



State of West Virginia
 Department of Administration
 Purchasing Division
 2019 Washington Street East
 Post Office Box 50130
 Charleston, WV 25305-0130

Request for Quotation

RFQ NUMBER
DEP14244

PAGE
7

ADDRESS CORRESPONDENCE TO ATTENTION OF:
CHUCK BOWMAN 304-558-2157

VENDOR

*604150016 304-372-4378
 EAGLE EXCAVATING INC
 PO BOX 218
 KENNA WV 25248

SHIP TO

ENVIRONMENTAL PROTECTION
 DEPT. OF
 OFFICE OF SPECIAL RECLAMATION
 116 INDUSTRIAL DRIVE
 OAK HILL, WV
 25901 304-465-1911

DATE PRINTED	TERMS OF SALE	SHIP VIA	F.O.B.	FREIGHT TERMS
02/07/2008				

BID OPENING DATE: **03/27/2008** BID OPENING TIME **01:30PM**

LINE	QUANTITY	UOP	CAT NO.	ITEM NUMBER	UNIT PRICE	AMOUNT
<p>IN THE CASE OF STEEL ONLY, WHERE THE COST OF STEEL IS MORE THAN \$50,000 OR WHERE MORE THAN 10,000 POUNDS OF STEEL ARE REQUIRED, THE STATE WILL ACCEPT ONLY ALUMINUM GLASS, OR STEEL PRODUCTS PRODUCED IN THE UNITED STATES. IN ADDITION, ITEMS OF MACHINERY OR EQUIPMENT PURCHASED FOR USE AT THE SITE OF PUBLIC WORKS SHALL BE MADE OF DOMESTIC ALUMINUM, GLASS OR STEEL, UNLESS THE COST OF THE PRODUCT IS LESS THAN \$50,000 OR LESS THAN 10,000 POUNDS OF STEEL ARE USED IN PUBLIC WORKS PROJECTS.</p> <p>FOREIGN MADE ALUMINUM, GLASS OR STEEL PRODUCTS MAY BE ACCEPTED ONLY IF THE COST OF DOMESTIC PRODUCTS IS FOUND TO BE UNREASONABLE. SUCH COST IS UNREASONABLE IF IT IS 20% OR MORE HIGHER THAN THE BID PRICE FOR FOREIGN MADE PRODUCTS. IF THE DOMESTIC ALUMINUM, GLASS OR STEEL PRODUCTS TO BE SUPPLIED OR PRODUCED IN A "SUBSTANTIAL LABOR SURPLUS AREA", AS DEFINED BY THE UNITED STATES DEPARTMENT OF LABOR, FOREIGN PRODUCTS MAY BE SUPPLIED ONLY IF DOMESTIC PRODUCTS ARE 30% OR MORE HIGHER IN PRICE THAN THE FOREIGN MADE PRODUCTS.</p> <p>IF, PRIOR TO THE AWARD OF A CONTRACT UNDER THE ABOVE PROVISIONS, THE SPENDING OFFICER OF THE SPENDING UNIT DETERMINES THAT THERE EXISTS A BID FOR LIKE FOREIGN ALUMINUM, GLASS OR STEEL THAT IS REASONABLE AND LOWER THAN THE LOWEST BID DOMESTIC PRODUCTS, THE SPENDING OFFICE MAY REQUEST, IN WRITING, A REEVALUATION AND REDUCTION IN THE LOWEST BID FOR SUCH DOMESTIC PRODUCTS. ALL VENDORS MUST INDICATE IN THEIR BID IF THEY ARE SUPPLYING FOREIGN ALUMINUM, GLASS OR STEEL.</p> <p>REV. 3/88</p> <p>EXHIBIT 9</p> <p>NOTICE FOR ISSUANCE & ACKNOWLEDGEMENT OF CONSTRUCTION</p>						

SEE REVERSE SIDE FOR TERMS AND CONDITIONS

SIGNATURE	TELEPHONE	DATE
<i>Mark S Freshour</i>	372-4378	3-27-08
TITLE	FEIN	ADDRESS CHANGES TO BE NOTED ABOVE
<i>PRESIDENT</i>	55-0762759	

WHEN RESPONDING TO RFQ, INSERT NAME AND ADDRESS IN SPACE ABOVE LABELED 'VENDOR'



State of West Virginia
 Department of Administration
 Purchasing Division
 2019 Washington Street East
 Post Office Box 50130
 Charleston, WV 25305-0130

**Request for
 Quotation**

RFQ NUMBER
DEP14244

PAGE
8

ADDRESS CORRESPONDENCE TO ATTENTION OF
CHUCK BOWMAN 304-558-2157

VENDOR
 *604150016 304-372-4378
 EAGLE EXCAVATING INC
 PO BOX 218
 KENNA WV 25248

SHIP TO
 ENVIRONMENTAL PROTECTION
 DEPT. OF
 OFFICE OF SPECIAL RECLAMATION
 116 INDUSTRIAL DRIVE
 OAK HILL, WV
 25901 304-465-1911

DATE PRINTED	TERMS OF SALE	SHIP VIA	F.O.B.	FREIGHT TERMS
02/07/2008				

BID OPENING DATE: **03/27/2008** BID OPENING TIME **01:30PM**

LINE	QUANTITY	UOP	CAT NO	ITEM NUMBER	UNIT PRICE	AMOUNT
<p>PROJECT ADDENDA</p> <p>THE ARCHITECT/ENGINEER AND/OR AGENCY SHALL BE REQUIRED TO ABIDE BY THE FOLLOWING SCHEDULE IN ISSUING CONSTRUCTION PROJECT ADDENDA FOR STATE AGENCIES:</p> <p>(1) THE ARCHITECT/ENGINEER SHALL PREPARE THE ADDENDUM AND A LIST OF ALL PARTIES THAT HAVE PROCURED DRAWINGS AND SPECIFICATIONS FOR THE PROJECT. THE ADDENDUM AND LIST SHALL BE FORWARDED TO THE BUYER IN THE STATE PURCHASING DIVISION. THE ARCHITECT/ENGINEER SHALL ALSO SEND A COPY OF THE ADDENDUM TO THE STATE AGENCY FOR WHICH THE CONTRACT IS ISSUED.</p> <p>(2) THE BUYER SHALL SEND THE ADDENDUM TO ALL INTERESTED PARTIES AND, IF NECESSARY, EXTEND THE BID OPENING DATE. ANY ADDENDUM SHOULD BE RECEIVED BY THE BUYER WITHIN FOURTEEN (14) DAYS PRIOR TO THE BID OPENING DATE.</p> <p>(3) ALL ADDENDA SHOULD BE FORMALLY ACKNOWLEDGED BY ALL BIDDERS AND SUBMITTED TO THE STATE PURCHASING DIVISION. THE SAME RULES AND REGULATIONS THAT APPLY TO THE ORIGINAL BIDDING DOCUMENT SHALL ALSO APPLY TO AN ADDENDUM DOCUMENT. THE ONLY EXCEPTION MAY BE FOR AN ADDENDUM THAT IS ISSUED FOR THE SOLE PURPOSE OF CHANGING A BID OPENING TIME AND/OR DATE.</p> <p>REV. 11/96</p> <p>EXHIBIT 10</p> <p>ADDENDUM ACKNOWLEDGEMENT</p> <p style="text-align: right;">DEP14244</p>						

SEE REVERSE SIDE FOR TERMS AND CONDITIONS

SIGNATURE	TELEPHONE	DATE
<i>Mike S Freshour</i>	372-4378	3-27-08
TITLE	FEIN	ADDRESS CHANGES TO BE NOTED ABOVE
<i>PRESIDENT</i>	55-0762758	

WHEN RESPONDING TO RFQ, INSERT NAME AND ADDRESS IN SPACE ABOVE LABELED 'VENDOR'



State of West Virginia
 Department of Administration
 Purchasing Division
 2019 Washington Street East
 Post Office Box 50130
 Charleston, WV 25305-0130

Request for Quotation

RFQ NUMBER
DEP14244

PAGE
9

ADDRESS CORRESPONDENCE TO ATTENTION OF
CHUCK BOWMAN 304-558-2157

VENDOR

*604150016 304-372-4378
 EAGLE EXCAVATING INC
 PO BOX 218
 KENNA WV 25248

SHIP TO

ENVIRONMENTAL PROTECTION
 DEPT. OF
 OFFICE OF SPECIAL RECLAMATION
 116 INDUSTRIAL DRIVE
 OAK HILL, WV
 25901 304-465-1911

DATE PRINTED	TERMS OF SALE	SHIP VIA	F.O.B	FREIGHT TERMS
02/07/2008				

BID OPENING DATE: **03/27/2008** BID OPENING TIME **01:30PM**

LINE	QUANTITY	UOP	CAT NO.	ITEM NUMBER	UNIT PRICE	AMOUNT
<p>I HEREBY ACKNOWLEDGE RECEIPT OF THE FOLLOWING CHECKED ADDENDUM(S) AND HAVE MADE THE NECESSARY REVISIONS TO MY PROPOSAL, PLANS AND/OR SPECIFICATION, ETC.</p> <p>ADDENDUM NOS.:</p> <p>NO. 1 ✓</p> <p>NO. 2</p> <p>NO. 3</p> <p>NO. 4</p> <p>NO. 5</p> <p>I UNDERSTAND THAT FAILURE TO CONFIRM THE RECEIPT OF THE ADDENDUM(S) MAY BE CAUSE FOR REJECTION OF THE BIDS.</p> <p>VENDOR MUST CLEARLY UNDERSTAND THAT ANY VERBAL REPRESENTATION MADE OR ASSUMED TO BE MADE DURING ANY ORAL DISCUSSION HELD BETWEEN VENDOR'S REPRESENTATIVES AND ANY STATE PERSONNEL IS NOT BINDING. ONLY THE INFORMATION ISSUED IN WRITING AND ADDED TO THE SPECIFICATIONS BY AN OFFICIAL ADDENDUM IS BINDING.</p> <p>..... Mike D. Freshour SIGNATURE EAGLE EXCAVATION, INC. COMPANY 3-27-08 DATE</p> <p>REV. 11/96</p>						

SEE REVERSE SIDE FOR TERMS AND CONDITIONS

SIGNATURE	TELEPHONE	DATE
<i>Mike D. Freshour</i>	372-4378	3-27-08
TITLE	FEIN	ADDRESS CHANGES TO BE NOTED ABOVE
<i>PRESIDENT</i>	55-0762758	

WHEN RESPONDING TO RFQ, INSERT NAME AND ADDRESS IN SPACE ABOVE LABELED 'VENDOR'



State of West Virginia
 Department of Administration
 Purchasing Division
 2019 Washington Street East
 Post Office Box 50130
 Charleston, WV 25305-0130

**Request for
 Quotation**

RFQ NUMBER
DEP14244

PAGE
10

ADDRESS CORRESPONDENCE TO ATTENTION OF
CHUCK BOWMAN 304-558-2157

*604150016 304-372-4378
 EAGLE EXCAVATING INC
 PO BOX 218
 KENNA WV 25248

ENVIRONMENTAL PROTECTION
 DEPT. OF
 OFFICE OF SPECIAL RECLAMATION
 116 INDUSTRIAL DRIVE
 OAK HILL, WV
 25901 304-465-1911

DATE PRINTED 02/07/2008	TERMS OF SALE	SHIP VIA	F.O.B.	FREIGHT TERMS
----------------------------	---------------	----------	--------	---------------

BID OPENING DATE: 03/27/2008 BID OPENING TIME 01:30PM

LINE	QUANTITY	UOP	CAT NO	ITEM NUMBER	UNIT PRICE	AMOUNT
NOTICE						
A SIGNED BID MUST BE SUBMITTED TO:						
DEPARTMENT OF ADMINISTRATION PURCHASING DIVISION BUILDING 15 2019 WASHINGTON STREET, EAST CHARLESTON, WV 25305-0130						
THE BID SHOULD CONTAIN THIS INFORMATION ON THE FACE OF THE ENVELOPE OR THE BID MAY NOT BE CONSIDERED:						
SEALED BID						
BUYER: CB-23						
REQ. NO.: DEP14244						
BID OPENING DATE: 03/27/2008						
BID OPENING TIME: 1:30 P.M.						
PLEASE PROVIDE A FAX NUMBER IN CASE IT IS NECESSARY TO CONTACT YOU REGARDING YOUR BID:						
----- 304-372-4378 -----						
PLEASE PRINT OR TYPE NAME OF PERSON TO CONTACT CONCERNING THIS QUOTE:						
----- MEIKE P. FRESHOUR -----						

SEE REVERSE SIDE FOR TERMS AND CONDITIONS

SIGNATURE <i>Meike P Freshour</i>	TELEPHONE 372-4378	DATE 3-27-08
TITLE PRESIDENT	FEIN 55-0762758	ADDRESS CHANGES TO BE NOTED ABOVE

WHEN RESPONDING TO RFQ, INSERT NAME AND ADDRESS IN SPACE ABOVE LABELED 'VENDOR'

BUYER CB-23	PAGE 011	REQ. OR PO NO. DEP14244
SPENDING UNIT WEST VIRGINIA DEPARTMENT OF ENVIRONMENTAL PROTECTION/SPECIAL RECLAMATION		

WV-36 STATE OF WEST VIRGINIA
REV. 1/29/02 PURCHASING CONTINUATION SHEET
VENDOR:

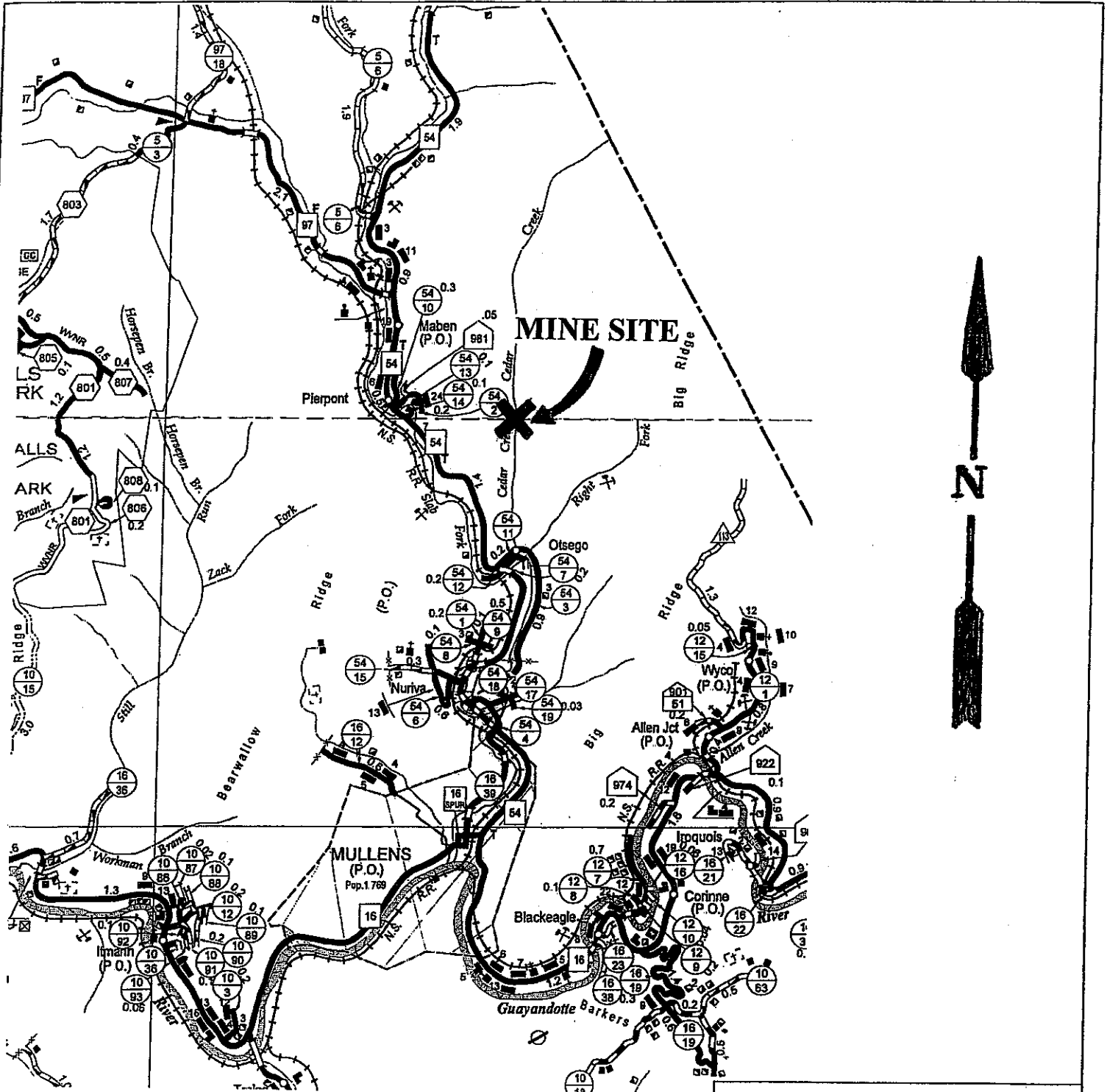
DIRECTIONS

FROM THE INTERSECTION OF STATE ROUTE 16 AND STATE ROUTE 54 AT MULLENS, TAKE STATE ROUTE 54 NORTH TOWARD MABEN. TRAVEL 2.4MILES AND TURN RIGHT ONTO OTSEGO ROAD (COUNTY ROUTE 5/5). TRAVEL 0.1 MILES, TURN LEFT AND CROSS BRIDGE. TRAVEL 0.1 MILES AND TURN RIGHT. TRAVEL 200 FEET AND KEEP STRAIGHT. TRAVEL 0.2 MILES AND TURN LEFT. TRAVEL 0.8 MILES TO THE MINE SITE.

SPECIAL RECLAMATION	
GREEN MOUNTAIN ENERGY, INC. U-4013-91	
SCALE: N/A	DRAWN BY:
DATE:	PROJECT NO.:

BUYER CB-23	PAGE 012	REQ. OR PO NO. DEP14244
SPENDING UNIT WEST VIRGINIA DEPARTMENT OF ENVIRONMENTAL PROTECTION/SPECIAL RECLAMATION		

WV-36 STATE OF WEST VIRGINIA
 REV. 1/29/02 PURCHASING CONTINUATION SHEET
 VENDOR:



LOCATION MAP

SPECIAL RECLAMATION	
GREEN MOUNTAIN ENERGY, INC. U-4013-91	
SCALE: N/A	DRAWN BY:
DATE:	PROJECT NO.:

BUYER CB-23	PAGE 013	REQ. OR PO NO. DEP14244
SPENDING UNIT WEST VIRGINIA DEPARTMENT OF ENVIRONMENTAL PROTECTION/OFFICE OF SPECIAL RECLAMATION		

WV-36a STATE OF WEST VIRGINIA
REV. 1/29/02 PURCHASING CONTINUATION SHEET
VENDOR:

SCOPE OF WORK

The successful bidder shall provide appropriate equipment, materials, labor and any technical services needed for the successful reclamation of Green Mountain Energy Inc., Permit U-4013-91, and any disturbance associated with such operation. The General Performance Standards (GPS) shall apply to all items in Scope of Work.

Work necessary on this site will include the following items, but is not limited to these:

1. Upon mobilization to the site, which will be directed in a written Notice to Proceed, the access roads shall be developed in accordance with bid item # 3.0. If, fuel and lubricants are to be stored on site, bid item # 2.0 shall be in place before fuel is delivered. Project sign shall be constructed and erected in accordance with attached specifications. The sign shall be maintained during the construction activities and through the life of the warranty period. Sign cost is a No Bid Item and included with mobilization cost. No work shall be authorized or allowed at site until sign is constructed and erected on site and approved by DEP.
2. Storm water management in the form as described in bid item # 8.0 shall be installed.
3. Concurrent and continuous reclamation shall be maintained throughout the life of the project. Backfill is required for all areas. Regrading and topsoiling are required for all areas. Revegetation and soil improvements are required for all areas. Reclamation is to be according to the attached specifications, plans, and clarifying discussions at the Pre-Bid Conference.
4. Construction stakeout as necessary to carry out work. (Bid Item # 6.0)
5. Check for and locate all utilities within the work area to provide and maintain a safe working area in addition to preventing damage to the utility.
6. Remove any and all debris from site. Contractor must provide documentation of proper disposal.
7. Construct approximately 2300 linear feet of access road by placing road fabric and six (6) inches of three (3) inch crusher run stone to a twelve (12) foot width. This shall include the installation two (2) thirty (30) foot long 18 inch HDPE DR17 culverts and three road sumps as shown on the site plan. Roads shall be graded to drain to the road ditch to be constructed on the inside of the road surface as shown in details and specifications. Cost of the culverts, road sumps, and road ditch shall be incidental to and included in the cost of Access Road. The existing section of access road on the southern end of the site shall be lowered to run on the top of the berms of Pond A and Pond B. Beyond Pond B, to the south, the access road shall have a uniform grade and shall meet the haulroad in the same location as the current access road.

WV-36a STATE OF WEST VIRGINIA
REV. 1/29/02 PURCHASING CONTINUATION SHEET
VENDOR:

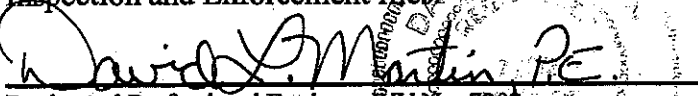
8. Construct Seep Collection Pipeline to corral acid mine drainage and convey it across the stream to Ditch One (1). This shall consist of a concrete check dam with a 12 inch HDPE DR17 pipe running to Ditch One (1). The concrete check dam shall be formed up and poured in place. The 12 inch HDPE DR17 pipe shall be inserted through a 50 foot long, 20 inch diameter steel pipe with approximately 0.312 inch wall thickness, for support and to bridge the stream channel. The pipes shall be installed to gravity flow to Ditch One (1) with the bottom of the metal pipe to be four (4) feet above the bottom of the stream channel. The 12 inch HDPE DR17 pipe shall be covered with a minimum two (2) foot of soil material from the check dam until entering the 20 inch steel pipe and upon leaving the steel pipe to it's discharge into Ditch One (1). (See Details and Specifications)
9. Construct approximately 220 linear feet of Ditch One (1), ending in the bottom of Pond A. NOTE: Any black/potentially toxic material encountered on site shall be covered with a minimum one (1) foot of soil. (See details and specifications)
10. Construct Pond A, with a 45 foot width at water level, 100 foot top length at water level, five (5) foot water depth, and two (2) foot of freeboard. Pond A construction shall include the installation of two (2) sets of floating baffle curtains. All floating baffle curtains on this project shall be Aer-Flo, Inc. Tough Guy Turbidity Barrier Type 2 DOT with 22 ounce vinyl coated polyester fabric, aluminum stress plates at the top and bottom corners, 5/16 inch galvanized ballast chain, and a 5/16 inch vinyl coated galvanized steel topload cable. The 5/16 inch vinyl coated galvanized steel topload cable (or equivalent) shall be extended out to the point of anchorage. Note: The cost of the baffle curtains shall be incidental to and included in the cost of constructing Pond A.
11. Construct approximately 40 linear feet of Pond A Spillway, beginning at the bottom of Pond A and terminating at the bottom of Pond B.
12. Construct Pond B, with a 45 foot width at water level, 100 foot length at water level, five (5) foot water depth, and two (2) foot of freeboard. Pond B construction shall include the installation of two (2) sets of floating baffle curtains. Note: The cost of the baffle curtains shall be incidental to and included in the cost of constructing Pond A. Note: All ponds must hold and discharge water as designed.
13. Construct approximately 70 linear feet of Pond B Spillway, beginning at the bottom of Pond B and terminating at the natural stream channel.
14. Construct Sludge Cell with a 40 foot width, 120 foot length, five (5) foot depth, and two (2) foot of freeboard. A 12 inch HDPE DR17 overflow line shall be installed as shown on the attached drawing, and running to discharge into Ditch 1. The Sludge Cell shall hold water when the stainless steel knife valve is closed and drain as designed when the stainless steel knife valve is open. Note: Prior to acceptance of the sludge cell, it must be filled completely with water to show that it will hold and drain water as designed.

BUYER CB-23	PAGE 015	REQ. OR PO NO. DEP14244
SPENDING UNIT WEST VIRGINIA DEPARTMENT OF ENVIRONMENTAL PROTECTION/OFFICE OF SPECIAL RECLAMATION		

WV-36a STATE OF WEST VIRGINIA
REV. 1/29/02 PURCHASING CONTINUATION SHEET
VENDOR:

15. Install the Sludge Cell Underdrain Line collection system consisting of a one (1) foot layer of Ohio River Valley sand over a two (2) foot thick layer of number four (4) clean sandstone, which is wrapped in filter fabric containing three (3) six (6) inch HDPE DR 17 perforated underdrain lines. The three (3) six (6) inch HDPE DR17 perforated underdrain lines will then be fused to a non-perforated six (6) inch HDPE DR17 line running to Ditch One (1). Between the sludge cell and Ditch One (1), one (1) six (6) inch stainless steel knife valve in a valve box shall be installed to facilitate filling and draining of the sludge cell. Note: The cost of installing the sludge cell underdrain lines, stainless steel knife valve, valve box, splash pad, and 12 inch HDPE overflow line shall be incidental to and included in the cost of constructing the sludge cell.
16. Install a six (6) inch diameter HDPE DR17 Sludge Pumping Line from the dike between Pond A and Pond B to the south end of the sludge cell, discharging onto the splash pad. Note: Both ends of all sludge lines on this project shall be equipped with flanged ends, stainless steel flange backup rings, HDPE caps, rubber gaskets, and stainless steel nuts, bolts, and washers. The orientation of the end located at each pond shall be reviewed and approved by the DEP agent on site. The cost of the sludge pumping line and Ditch Two (2) shall be incidental to the cost of constructing the sludge cell. Ditch Two (2) shall run from the outlet end of Sludge Pumping Line, across the full width of the Sludge Cell Berm to the bottom of the sludge cell.
17. Note: All stainless steel knife valves shall be enclosed in a "valve box" of the round plastic meter box type, covered with an insulation pad and metal cover. All stainless steel knife valves shall be "316 Grade" stainless steel.
18. NOTE: All ponds on this project shall hold water and no leak.
19. Install 600 linear feet of haybale dike for sediment control during and after construction.
20. Regrade and revegetate approximately five (5) acres of disturbance.

I David L. Martin, Sr., the undersigned, hereby certify ¹ that this Reclamation Plan is correct and shows to the best of my knowledge and belief all the information required by the surface mining laws of the State of West Virginia. The source of information was the approved mining and reclamation plan contained in the forfeited surface mine permit, existing site conditions and information contained in the WV DEP, Inspection and Enforcement files.


Registered Professional Engineer WV No. 7202

Date: JANUARY 18, 2008

¹ The term "certify" as used herein is defined as follows: An engineer's certification of conditions is a declaration of professional judgment. It does not constitute a warranty or guarantee, either expressed or implied.

IV-36 STATE OF WEST VIRGINIA
 REV. 1/29/02 PURCHASING CONTINUATION SHEET
 VENDOR:

ITEM NO.	QUANTITY	DESCRIPTION	UNIT PRICE	AMOUNT
BID SCHEDULE WATER QUALITY ABATEMENT PERMIT NAME: <u>Green Mountain Energy, Inc.</u> PERMIT NUMBER(S): <u>U-4013-91</u> The DEP reserves the right to request additional information and supporting documentation regarding unit prices when the unit price appears to be unreasonable.				
1.0	LUMP SUM	<u>MOBILIZATION/DEMObILIZATION</u> (5% Total Bid Maximum for this permit)	LUMP SUM	\$ <u>5850</u> ⁰⁰
2.0	LUMP SUM	<u>SPILL CONTAINMENT AREA (S.C.A.)</u> (\$1,000.00 Maximum Bid for this permit)	LUMP SUM	\$ <u>702</u> ⁰⁰
3.0	LUMP SUM	<u>HAULROAD/ACCESS ROAD</u> (5% Total Bid Maximum for this permit)	LUMP SUM	\$ <u>2675</u> ⁰⁰
4.0	LUMP SUM	<u>REGRAIDING AND TOPSOILING</u>	LUMP SUM	\$ <u>2350</u> ⁰⁰
5.0		<u>REVEGETATION</u>		
5.1	LUMP SUM	<u>AGRICULTURAL LIME</u>	LUMP SUM	\$ <u>2237</u> ⁰⁰
5.2	LUMP SUM	<u>FERTILIZER</u>	LUMP SUM	\$ <u>2237</u> ⁰⁰
5.3	LUMP SUM	<u>MULCH</u>	LUMP SUM	\$ <u>2237</u> ⁰⁰
5.4	LUMP SUM	<u>VEGETATIVE SPECIES</u>	LUMP SUM	\$ <u>2237</u> ⁰⁰
6.0	LUMP SUM	<u>CONSTRUCTION STAKEOUT</u> (Limited to 5% Total Bid For This Permit)	LUMP SUM	\$ <u>675</u> ⁰⁰
7.0		<u>CONSTRUCTED WATER TREATMENT STRUCTURES</u>		
7.1	LUMP SUM	<u>POND A</u>	LUMP SUM	\$ <u>22951</u> ⁰⁰
7.2	LUMP SUM	<u>POND B</u>	LUMP SUM	\$ <u>22951</u> ⁰⁰

IV-36 STATE OF WEST VIRGINIA
REV. 1/29/02 PURCHASING CONTINUATION SHEET
VENDOR:

ITEM NO.	QUANTITY	DESCRIPTION	UNIT PRICE	AMOUNT
7.3	LUMP SUM	<u>SLUDGE CELL</u>	LUMP SUM	\$ <u>18,077</u> ⁰⁰
8.0	<u>600</u> LF	<u>HAYBALE DIKE</u> (Max. Bid \$5.00 Per LF)	\$ <u>5</u> ⁰⁰ PER LF	\$ <u>3,000</u> ⁰⁰
9.0	LUMP SUM	<u>RIP-RAP DITCH ONE (1)</u>	LUMP SUM	\$ <u>16,688</u> ⁰⁰
10.0		<u>GRouted RIP-RAP DITCH</u>		
10.1	LUMP SUM	<u>POND A SPILLYWAY</u>	LUMP SUM	\$ <u>5,913</u> ⁰⁰
10.2	LUMP SUM	<u>POND B SPILLWAY</u>	LUMP SUM	\$ <u>8,394</u> ⁰⁰
11.0	LUMP SUM	<u>STRUCTURE AND/OR DEBRIS REMOVAL</u>	LUMP SUM	\$ <u>6,375</u> ⁰⁰
12.0	NO BID ITEM	<u>UTILITIES</u>	NO BID ITEM	\$ <u>6</u> ⁰⁰
13.0	LUMP SUM	<u>ACCESS ROAD CONSTRUCTION</u>	LUMP SUM	\$ <u>58,548</u> ⁰⁰
14.0	LUMP SUM	<u>SEEP COLLECTION PIPELINE</u>	LUMP SUM	\$ <u>19,903</u> ⁰⁰
TOTAL FOR PERMIT <u>U-4013-91</u>				\$ <u>204,000</u> ⁰⁰

MDF

MDF

BUYER CB-23	PAGE 018	REQ. OR PO NO. DEP14244
SPENDING UNIT		
WEST VIRGINIA DEPARTMENT OF ENVIRONMENTAL PROTECTION/ OFFICE OF SPECIAL RECLAMATION		

WV-36a STATE OF WEST VIRGINIA
REV. 1/29/02 PURCHASING CONTINUATION SHEET
VENDOR:

BID ITEM TECHNICAL SPECIFICATIONS

1.0 MOBILIZATION/DEMobilIZATION

This work shall consist of the performance of construction preparatory operations, including the movement of personnel, equipment and other facilities to the project site necessary to begin work on a substantial phase of the contract. It shall also include installation of a project sign according to the attached specification and all demobilization activities. No deduction will be made nor will any increase be made in the Lump Sum Mobilization/Demobilization Item Amount, regardless of decreases or increases in the final total contract amount or for any other cause. (Shall not exceed 5% of the Total Bid for this permit.)

Prior to demobilization, an inspection is required to be conducted by the Department of Environmental Protection's Specialist and the contractor to insure compliance with contract performance.

2.0 SPILL CONTAINMENT AREA (S.C.A.)

Spill containment measures shall be used for fuel and lubricant storage areas. All containers, barrels, buckets, cans, etc., are to be legally disposed of off site. Used lubricants are to be disposed of according to state law to minimize pollution to the local surface and ground water supplies. Spills are the responsibility of the contractor and need immediate clean up and maintained at no expense to the State. This S.C.A. shall be constructed in accordance with the typical drawing specification. (See Attachment) Alternate containment measures will be considered for approval by the Program Manager if acceptable results can be shown. Fuel tanks manufactured with secondary containment are acceptable. Minimum secondary containment is 110 percent. (Bid limited to \$1,000.00 maximum)

3.0 HAULROAD/ACCESS ROAD

The contractor shall maintain and/or construct haul-road/access road during the reclamation process to provide access on a well drained surface. The access road to and on the reclamation site shall be graded, sloped, and maintained to drain to provide a road surface free of excessive mud and standing waters at all times while work is in progress. Roads which are below the project shall be guarded against rolling rock and free there from. Dust-control measures may be necessary if hauling creates airborne material. Snow removal to be included in this item.

4.0 REGRAIDING AND TOPSOILING

Concurrent regrading and topsoiling shall immediately follow backfilling and shall: distribute topsoil or the best available material to support vegetation as identified by the Department of Environmental Protection contact person, on the surface of the backfill in a smooth, uniform manner; include the elimination of all rills and gullies, the construction of sediment control sumps, the removal of sediment control sumps, the grading of spoil and/or fill materials. Surface shall be free of all rock exceeding six (6) inches in diameter and shall be tracked, track to track. Topsoil presently stockpiled on site shall be preserved and spread on the fill surface. In the absence of stockpiled topsoil, material which can be used as a topsoil substitute shall be identified, segregated, and stockpiled for spreading on the surface. If necessary to manufacture fines, mechanical treatment to pulverize the surface layer shall be required. Regrading and topsoiling shall be conducted prior to and in preparation for the revegetation item.

BUYER CB-23	PAGE 019	REQ. OR PO NO. DEP14244
SPENDING UNIT		
WEST VIRGINIA DEPARTMENT OF ENVIRONMENTAL PROTECTION/ OFFICE OF SPECIAL RECLAMATION		

WV-36a STATE OF WEST VIRGINIA
REV. 1/29/02 PURCHASING CONTINUATION SHEET
VENDOR:

5.0 REVEGETATION

The actual seeding date, within the work performance period, shall be at the discretion of the contractor, but a permanent vegetative cover must be established. Verification of materials used shall be required for payment. Seed bed preparation, unless otherwise approved, shall be conducted by industrial disks or tracking with heavy equipment with cleat marks across slope and parallel to the final contours. The surface shall be tracked, track to track. Seeding shall commence after seed bed preparation on a loose and uncompacted soil and with the approval of the Department of Environmental Protection. Contractor shall provide equipment as necessary to secure approval of the seedbed. Revegetation activities shall be carried out in a continuous, concurrent, timely and uniform manner. Failure to do this may result in nonpayment for portions of or the entire Revegetation item. Hydroseeding or broadcast seeding with the approved species is acceptable. The application rate may be increased but the ratio is to remain constant, but no additional monetary compensation will be awarded. Areas outside the limits of construction, disturbed by the contractor shall be revegetated by the contractor at no expense to DEP. Water utilized for hydroseeding shall be free of injurious or other toxic substances harmful to plant life. The source of water is subject to the approval of the DEP Specialist. It shall be the vendor's responsibility to repeat the procedures under REVEGETATION until such time as a permanent vegetation is established. The acreage quantities in this contract are for bidding purposes only.

A warranty period of one (1) year shall commence upon completion and payment of the revegetation item of the contract. No payment will be made for additional seeding necessary to comply with warranty requirements. The warranty period will be extended for one (1) year from the date of the last augmented seeding done by the contractor. The performance bond and labor and materials bond shall remain in effect throughout the warranty period. The Standards for Evaluating Vegetative Cover as presented in Title 38, CSR2, Section 9 of the West Virginia Surface Mining Reclamation Regulations will apply.

Equipment for the retracking/scarification to eliminate rills and gullies shall be mobilized and utilized to produce slopes consistent with the regrading and topsoiling bid item prior to warranty reseeding. No additional payment will be made by DEP for this warranty work.

5.1 AGRICULTURAL LIME

Unless otherwise specified, all lime used for revegetation shall be registered with the West Virginia Department of Agriculture, have an 85% minimum calcium carbonate equivalent, and meet the fineness classification no larger than that for ground. The following fineness classifications or combinations of are acceptable:

- Pulverized - 100% passing a U.S. Standard 20 mesh sieve
 - 70% passing a U.S. Standard 100 mesh sieve
- Ground - 90% passing a U.S. Standard 20 mesh sieve
 - 50% passing a U.S. Standard 60 mesh sieve
 - 35% passing a U.S. Standard 100 mesh sieve

Use of blends and low-grade agricultural liming materials shall require prior approval. Lime shall be spread as soon as possible after delivery to site. Lime shall be applied evenly and uniformly distributed over the treated area. Lime shall be thoroughly mixed into the soil material. Lime subjected to adverse conditions before spreading will be deemed unacceptable. Failure to complete this phase shall result in nonpayment of this bid item.

Lime Applied at 3 ton/acre.

WV-36a STATE OF WEST VIRGINIA
 REV. 1/29/02 PURCHASING CONTINUATION SHEET
 VENDOR:

5.2 FERTILIZER

Fertilizer rates given for REVEGETATION are for 1,000 lbs. of 10-20-20 per acre. These rates are minimum and for bidding purposes.

Fertilizer shall be applied evenly and uniformly distributed over the treated area. Common complete fertilizers which meet the minimum standards are acceptable.

5.3 MULCH

Acceptable mulch for this project is wood fiber, hay, or straw.

Mulch: Wood Fiber @ 1.0 ton/Acre

Hay or straw mulch may be substituted at a rate of 2 tons/Acre

5.4 VEGETATIVE SPECIES

Seeding rate required is for pure live seed (pls) in pounds per acre. The use of annuals or cover crops will not be considered for vegetative success.

SOUTH MIX

<u>VEGETATIVE SPECIES</u> ¹	<u>RATE/ACRE</u> ¹
Orchard Grass	@ 30 lbs/acre
Birdsfoot Trefoil ²	@ 15 lbs/acre
Red Top	@ 10 lbs/acre
Switchgrass	@ 10 lbs/acre
Perennial Ryegrass	@ 10 lbs/acre
Alsike Clover ²	@ 5 lbs/acre
Foxtail Millet ⁴	@ 12 lbs/acre
Wheat or Rye ⁵	@ 50 lbs/acre
Black Locust ³	@ 1 lbs/acre

1. Seeding rate required is for pure live seed in pounds (lbs) per acre.
2. Herbaceous legumes must be treated with the appropriate bacterium before seeding.
3. This species to be utilized only for woodland post-mining land-use projects.
4. Spring Mix
5. Fall Mix

BUYER CB-23	PAGE 021	REQ. OR PO NO. DEP14244
SPENDING UNIT WEST VIRGINIA DEPARTMENT OF ENVIRONMENTAL PROTECTION/ OFFICE OF SPECIAL RECLAMATION		

WV-36a STATE OF WEST VIRGINIA
REV. 1/29/02 PURCHASING CONTINUATION SHEET
VENDOR:

6.0 CONSTRUCTION STAKEOUT

This work shall consist of furnishing, placing, and maintaining construction layout stakes necessary for the proper execution of the work required under the Contract, production of as-built drawings, and of performing topographic surveys and obtaining surveyed cross-sections for accurate determination of pay item quantities. Construction stakeout shall be under the supervision of a Registered Professional Engineer or Licensed Land Surveyor and all drawings signed and/or sealed by such. The Department shall provide control points for initial layout of the work. (Shall not exceed 5% of the total bid for this permit.)

A. MATERIALS

Wooden stakes and other marking materials as described herein.

B. CONSTRUCTION METHODS

B(1). The Contractor shall locate and reference the construction baseline within the limits of work and shall establish bench marks for the proper layout of the work. The Contractor shall make all calculations involved and shall furnish and place all layout stakes or markers.

B(2). The Contractor shall provide field forces and shall set all additional stakes needed, such as offset stakes, reference point stakes, slope stakes, pavement and grade stakes, stakes for roadway drainage, sub-drains, trench drains, fence, culverts or other structures, supplementary bench marks and any other horizontal or vertical controls necessary to secure a correct layout of the work.

B(3). The location of the slope stakes for grading work shall be determined by a calculation method. Elevation control hubs with guard stakes shall be set, at a convenient distance outside the construction limits, and at all stations where original cross-sections are taken. The centerline station, the distance from centerline, and the elevation of the hub shall be recorded on each guard stake.

B(4). The Contractor shall be responsible for having the layout staking work conform to the lines, grades, elevations, and dimensions called for on the Plans. The Contractor shall be responsible for reporting any discrepancies to the Supervisor for clarification. Minor adjustments to suit field conditions are anticipated and it shall be the responsibility of the Supervisor to make decisions regarding adjustments.

B(5). The Contractor shall survey cross-sections and/or profiles in areas of on-site excavation, off-site excavation, and ditch construction as necessary to permit accurate determination of pay item quantities. The locations and spacing of cross-sections and profiles shall be as approved or as directed by the Supervisor. Cross-sections and profiles shall be surveyed:

- a) prior to any excavation
- b) at the completion of excavation

B(6). The Contractor shall furnish a copy of his survey records for the Supervisor and for the D.E.P.'s permanent file. These records shall be furnished as they are completed during the progress of the work. Any inspection or checking of the Contractor's layout by the Supervisor and the acceptance of all or any part of it shall not relieve the Contractor of his responsibility to secure the proper dimensions, grades and elevations of the required work.

BUYER CB-23	PAGE 022	REQ. OR PO NO. DEP14244
SPENDING UNIT		
WEST VIRGINIA DEPARTMENT OF ENVIRONMENTAL PROTECTION/ OFFICE OF SPECIAL RECLAMATION		

WV-36a STATE OF WEST VIRGINIA
REV. 1/29/02 PURCHASING CONTINUATION SHEET
VENDOR:

7.0 CONSTRUCTED SEDIMENT CONTROL STRUCTURES

A sediment control structure shall be constructed as per attached detailed plans. Such structures shall be cleaned out when the sediment capacity reaches 60%, repaired, and maintained until demobilization. This item will be a one-time payment. Clean-out and maintenance shall be conducted by the contractor at no expense to DEP. (SEE ATTACHMENT)

8.0 HAYBALE DIKE

Disturbed areas which have storm water runoff which does not pass through a sediment control structure shall utilize the following method to manage storm water runoff: Max. Bid of \$5.00/L.F. Hay Bale Dike -

1. All bales shall be placed on the contour.
2. Bales shall be placed in a row with ends tightly abutting the adjacent bales and embedded as shown on the Haybale Dike Detail.
3. Bales shall be securely anchored in place by stakes driven through the bales. The first stake in each bale shall be driven toward previously laid bale to force the bales together. Construction of sumps (paid under bid Item 5) may become necessary to supplement the hay bale dikes.

7.3 & 9.0 RIP-RAP DITCH

Provide all materials, excavate and construct Ditch as indicated on the attached typical plans, cross-section, specifications, and/or discussions at the Pre-Bid Showing. Ditches shall be free draining upon completion of construction. Length of ditch may be adjusted to meet on site conditions. No separate payment for construction stake-out will be made.

Riprap (Designed)

The riprap shall be composed of a well-graded mixture down to the 1 inch size particle, such that fifty percent (50%) of the mixture by weight shall be larger than the d(50) size. A well-graded mixture is defined as a mixture composed primarily of the larger stone sizes but with a sufficient mixture of other sizes to fill the progressively smaller voids between the stones. The diameter of the largest stone size in such a mixture shall be considered to be 1.5 times the d(50) size. The riprap size as shown on the plans and specifications or for other construction purposes shall be the size of the largest stone in the mixture, i.e., 1.5 X d(50). The minimum thickness of the riprap layer shall be 1.5 x d(50). The minimum thickness of the riprap layer shall be 1.5 times the maximum stone diameter. The riprap shall extend up the banks to a height equal to maximum depth of flow or to a point where vegetation can be established to adequately protect the channel.

Stone for riprap shall consist of shot rock or rough unhewn quarry stone of approximately rectangular shape. The stone shall be hard and angular and of such quality that it will not disintegrate on expose to water or weathering, and it shall be suitable in all other respects for the purpose intended. The specific gravity of the individual stones shall be least 2.5. Open limestone channels shall use limestone riprap.

Rip-Rap (Standard)

Unless otherwise noted shall be durable rock placed in a 1.5 foot thick blanket. Twenty five percent (25%) of the rock will be of 18 inches or larger, the remaining seventy-five percent (75%) shall be well graded material (minimum 3 inches to maximum 15 inches) of sufficient rock small enough to fill the voids between the larger rock. Shale shall not be used for riprap. If riprap suitability is questionable, durability shall be determined by the sodium sulphate test ASTM C 88/AASHTO T 104-77. Open limestone channels shall use limestone riprap.

BUYER CB-23	PAGE 023	REQ. OR PO NO. DEP14244
SPENDING UNIT		
WEST VIRGINIA DEPARTMENT OF ENVIRONMENTAL PROTECTION/ OFFICE OF SPECIAL RECLAMATION		

WV-36a STATE OF WEST VIRGINIA
REV. 1/29/02 PURCHASING CONTINUATION SHEET
VENDOR:

10.0 GROUTED RIPRAP DITCH

Unless otherwise noted shall be durable rock placed in a 1.5 foot thick blanket. Twenty-five percent (25%) of the rock will be 18 inches or larger. Ten percent (10%) of the rock shall be no smaller than six (6) inches. The remaining sixty-five percent (65%) of the rock shall be well graded between six (6) and eighteen (18) inches. In-place rammed or hammered rock shall be acceptable.

The grout filler shall be composed of a mixture of one part portland cement and three parts sand, mixed with water to produce a workable consistency. The stone shall be thoroughly wet immediately before grout is applied. As soon as the grout is deposited on the surface, it shall be thoroughly worked into the joints. The stones shall then be brushed, so that their top surfaces are exposed.

11.0 STRUCTURE AND/OR DEBRIS REMOVAL

All existing man-made items particular to the site and not to be utilized in the total reclamation of this site shall be demolished (if necessary) and disposed of in a legal manner. All iron, steel, aluminum, or any other metal, plastic, or any other man made material, including but not limited to I-Beams, Angle Iron, Channel Iron, Corrugated Metal, Flat Metal, Floc Drums, Grease Drums, Pipe or Conduit is to be dismantled, removed and properly disposed of off site and according to state, local, and federal requirements. These items are identified in the scope of work.

12.0 UTILITIES

Utilities shall be relocated at the direction of the utility company and reimbursed actual cost to contractor. This is a "No Bid" item due to the method of reimbursement. It is the contractor's responsibility to determine the exact location of each utility in the project area where these utilities would be interrupted or damaged by performing work.

13.0 ACCESS ROAD CONSTRUCTION

This work shall consist of the reconstruction of the access road through the site. Road shall be constructed on a well drained base, compacted to 95% standard proctor, with a road surface of six (6) inches deep of a well blended gradation of three (3) inch crusher run limestone compacted to 95% standard proctor. The road surface shall be twelve (12) feet wide and be graded to drain. (See plans and specifications)

14.0 SEEP COLLECTION PIPELINE

The seep collection pipeline shall include the construction and installation of a concrete check dam, 12 inch HDPE DR17 pipe, and 20 inch diameter steel pipe. Provide all materials to construct seep collection pipeline according to the attached drawings and/or discussions at the Pre-Bid showing.

WV-36a STATE OF WEST VIRGINIA
 REV. 1/29/02 PURCHASING CONTINUATION SHEET
 VENDOR:

7.0 & 13.0 ENGINEERING FABRIC (FILTER FABRIC AND FABRIC FOR SEPARATION) (NOTE: Cost to be included in the 7.3 and 13.0 Bid Items)

General: Engineering fabric shall be of the nonwoven or woven type and consists of a pervious sheet of polymeric fibers oriented into a stable network such that the fibers retain their relative positions with respect to each other. The fabric shall be mildew and rot resistant, and shall be free of any treatment or coating which might detrimentally alter its physical properties. The fabric, including the edges or the ends of the rolls, shall be protected during shipment and storage from ultra violet rays, temperature greater than 140° F and contaminants such as mud, dust, etc.

Engineering Fabric for Subsurface Drainage and Separation:

The engineering fabric for subsurface drainage shall be the nonwoven type and the engineering fabric for separation may be the nonwoven or woven type meeting the following requirements:

<u>PROPERTY</u>	<u>MINIMUM REQUIRED VALUE</u>	<u>TEST METHOD</u>
Permeability	1 x 10 ² cm/sec	AH, 20 cm. to 10 cm.
Equivalent Opening Size ²	#50 U.S. Std. Sieve	COE CW-02215
Grab Tensile Strength ³	100 lbs.	ASTM D-1682
Grad Tensile Elongation ³	30%	ASTM D-1682
Puncture Strength ⁴	35 lbs.	ASTM D-3787
Burst Strength	130 psi	ASTM D-3786
Trapezoid Tear	35 lbs.	ASTM D-1117

- All numerical values represent minimum average roll values (i.e., any roll in a lot shall meet or exceed the minimum value in the table)
- No greater opening than a #50 U.S. Sieve.
- Minimum in weakest principal direction.
- Tension testing machine with ring clamp, steel ball replaced with 5/16 inch diameter solid steel cylinder with either a flat or hemispherical tip centered within the ring clamp.

BUYER CB-23	PAGE 125	REQ. OR PO NO. DEP14244
SPENDING UNIT WEST VIRGINIA DEPARTMENT OF ENVIRONMENTAL PROTECTION/ OFFICE OF SPECIAL RECLAMATION		

WV-36a STATE OF WEST VIRGINIA
REV. 1/29/02 PURCHASING CONTINUATION SHEET
VENDOR:

BID PREPARATION INFORMATION

HISTORICAL INFORMATION

Prospective bidders may review files at the West Virginia Department of Environmental Protection, Nitro, WV office, or the Regional West Virginia Department of Environmental Protection Office at Oak Hill. These files may contain additional information not included in the contract documents including, but not limited to, permit applications, permits, inspection reports, environmental documents, permit violation history, geological and geotechnical information, probable hydrologic consequences, maps, modifications, NPDES information and other related data. Copies may be obtained upon request and payment of copying fees.

EXAMINATION OF BID PACKAGE AND SITE OF WORK

The bidder is required to examine, carefully, the bid package (plans, specifications, supplemental specifications, contract forms, etc.) and the site of the work contemplated. The submission of a bid shall be considered prima facie evidence that the bidder has made such examination and has judged for and satisfied themselves as to the character, quantity, and quality of work to be performed and the materials required to be furnished under the contract.

PREBID CONFERENCE

Only the prospective bidders on the sign-in sheet in attendance for the entire Pre-Bid Conference will be eligible to submit bids for consideration of this project. Considerable foot travel over rough terrain and/or inclement weather may be required.

VIDEO

The information given at the pre-bid showing by the project contact person or the assigned person shall be documented on video tape and shall be an integral part of this contract's requirements, but will not supersede the written contract. All information on video tape that is new or provides clarification to the specifications, will be issued in writing by a formal addendum and will become part of the written contract.

INTENT OF CONTRACT

The intent of the contract is for the reclamation/restoration of forfeited mine lands as required by West Virginia Department of Environmental Protection. The contractor is to provide for the construction and completion in every detail of the work described. The Contractor shall furnish all labor, materials, equipment, tools, transportation, and supplies required to complete the work in accordance with the Plans, Specifications, and terms of the Contract.

Should any misunderstanding arise as to the intent or meaning of the Contract, or any discrepancy appear, the decision of the Director of Division of Land Restoration shall be final.

BUYER CB-23	PAGE 26	REQ. OR PO NO. DEP14244
SPENDING UNIT WEST VIRGINIA DEPARTMENT OF ENVIRONMENTAL PROTECTION/ OFFICE OF SPECIAL RECLAMATION		

WV-36a STATE OF WEST VIRGINIA
REV. 1/29/02 PURCHASING CONTINUATION SHEET
VENDOR:

GENERAL PERFORMANCE STANDARDS

INTRODUCTION

The performance standards and non-compliance penalties which govern special reclamation-bond forfeiture projects are in Chapter 22A, Article 3, of the Code of West Virginia and subsequent rules and regulations. The following performance standards are of a general nature and do not represent all the performance standards applicable to a special reclamation-bond forfeiture project. However, some or all of these standards will pertain to each project.

BACKFILLING

1. Unless otherwise noted, the highwall shall be eliminated and the disturbed area graded to the approximate original contour.
2. The material used to backfill and eliminate the highwall shall be sufficiently compacted so as to insure stability of the backfill throughout the warranty period.
3. The land above the highwall shall not be disturbed unless otherwise directed.
4. The best available material to support vegetation, sufficient to establish a permanent vegetative cover and to achieve the approved post mining land use, shall be used.

BLASTING

The performance standards of the blasting regulations must be adhered to.

LIFE OF CONTRACT

The purchase order contract becomes effective on the starting date as specified in the notice to proceed as issued by the Department of Environmental Protection. This contract extends for a period of one (1) year and may be renewed until such "reasonable time" thereafter as is necessary to complete TREES, TOP DRESSING, the payment therefore and the warranty period. This contract is the right of entry for the vendor and must be effective through the warranty period to conduct warranty work, as necessary. A responsible Contractor's Agent shall be on the site at all working times who demonstrates a knowledge of mined land reclamation, contract requirements and responds to DEP (owner) inspections.

WORK PERFORMANCE PERIOD

The work performance period is a defined portion of the contract in which all items (except trees and top dressing) shall be completed. The work performance period is to be performed within 365 calendar days. Extensions may be granted based upon contractor's performance, weather conditions and site specific site conditions.

NOTICE TO PROCEED

A notice to proceed shall be issued to the Contractor by the project contact person for the Department of Environmental Protection. Actual construction may only begin after a Notice to Proceed is given and as specified. Such notice shall specify the starting date of the Purchase Order, the work performance period, and the completion date of the work performance period.

PRE-CONSTRUCTION CONFERENCE

The Contractor in possession of the awarded purchase order shall schedule and attend a Pre-Construction Conference on the site within ten (10) days after receiving the Notice To Proceed. The contractor will begin work within ten (10) days of the preconstruction conference. The Contractor's foreman or the on-the-ground supervisor must be in attendance.

BUYER CB-23	PAGE 027	REQ. OR PO NO. DEP14244
SPENDING UNIT		
WEST VIRGINIA DEPARTMENT OF ENVIRONMENTAL PROTECTION/ OFFICE OF SPECIAL RECLAMATION		

WV-36a STATE OF WEST VIRGINIA
REV. 1/29/02 PURCHASING CONTINUATION SHEET
VENDOR:

GENERAL SUPERVISION - This contract is under the general supervision of the West Virginia Department of Environmental Protection's contact person for the purpose of contract compliance inspection only. Contractor shall supervise work being conducted at all times. All services rendered by the Engineer/Contact Person consist of professional opinions and recommendations made in accordance with generally accepted engineering practice. Under no circumstances is it the intent of the Engineer/Contact Person to directly control the physical activities of the Contractor or the Contractor's workmen's accomplishment of work on this project.

CONTRACTOR RESPONSIBILITY

The contractor is responsible for compliance with all aspects of this written contract. No changes will be honored without prior approval from the Program Supervisor.

LAWS TO BE OBSERVED

The Contractor shall keep fully informed of all Federal and State laws, all local laws, ordinances, and regulations and all orders and decrees of bodies or tribunals having any jurisdiction or authority, which in any manner affect those engaged or employed on the work, or which in any way affect the conduct of the work. The Contractor shall at all times observe and comply with all such laws, ordinances, regulations, orders and decrees; and shall protect and indemnify the State and its representatives against any claim or liability arising from or based on the violation of any such laws, ordinances, regulations, orders, or decrees, whether by themselves, their subcontractors or their employees.

PERMITS, LICENSES AND TAXES

The Contractor shall procure all permits and licenses, pay all charges, fees, and taxes, and give all notices necessary and incidental to the due and lawful prosecution of the work.

CONCURRENT RECLAMATION

Reclamation of this project shall commence at a definite point as defined and shall progress from that point with total reclamation to include backfilling, grading/regrading, and revegetation. Changes may be granted based upon weather or differing site conditions with prior approval.

WATER QUALITY CONTROL

Shall commence with initial start-up of the project and remain in effect for the extent of the backfilling, regrading and revegetation activity. DEP obtains a storm water permit for each project from the Water Resources Department. (See General Water Pollution Control Permit WVO115924 attached) The Contractor is responsible for performing the best management practices. Adequate facilities shall be installed, operated and maintained using the best management practices of the U.S. Environmental Protection Agency's Non-Point Source (NPS) Program for sediment control during the active reclamation. The contractor shall take any and all steps necessary to prevent erosion or silting problems from occurring and to minimize pollution or sedimentation of the stream. If any such problems develop, the contractor shall be responsible to take immediate corrective action. No separate payment for this work will be honored. All impounded waters which require removal during reclamation, shall be pumped with appropriate measures taken to prevent erosion from the discharge. The contractor shall be responsible for treatment of said waters to meet pH standards. The water shall be discharged only when the quality meets a pH equivalent to the pH of the receiving stream but not less than 6.0.

BUYER CB-23	PAGE 028	REQ. OR PO NO. DEP14244
SPENDING UNIT		
WEST VIRGINIA DEPARTMENT OF ENVIRONMENTAL PROTECTION/ OFFICE OF SPECIAL RECLAMATION		

WV-36a STATE OF WEST VIRGINIA
REV. 1/29/02 PURCHASING CONTINUATION SHEET
VENDOR:

DIFFERING SITE CONDITIONS

During the progress of the work, if subsurface or latent physical conditions are encountered at the site differing materially from those indicated in the contract or if unknown physical conditions of an unusual nature, differing materially from those ordinarily encountered and generally recognized as inherent in the work provided by the contract, are encountered at the site, the party discovering such conditions shall promptly notify the other party in writing of the specific differing conditions before they are disturbed and before the affected work is performed.

Upon written notification, the Engineer/Contact Person will investigate the conditions, and if determined that the conditions materially differ and cause an increase or decrease in the cost or time required for the performance of any work under the contract, an adjustment, excluding loss of anticipated profits, will be made and the contract modified in writing accordingly. The Engineer/Contact Person will notify the Contractor of DEP's determination whether or not an adjustment of the contract is warranted.

No contract adjustment which results in a benefit to the Contractor will be allowed unless the Contractor has provided the required written notice.

No contract adjustment will be allowed under this clause for any effects caused on unchanged work.

HANDLING AND STORAGE OF MATERIALS

Materials which are stored on site, before utilization, shall be stored so as to assure the preservation of their quality and fitness for the work. Stored materials, even though approved before storage, may be inspected again prior to their use in the work. Damaged or deteriorated materials shall be removed and replaced by materials meeting the original specifications.

Aggregate stockpiles shall be made on ground that is denuded of vegetation, hard, and well drained. Removal of aggregate from the stockpile shall be done in a manner which will not result in the inclusion of foreign material into the aggregate. The use of the aggregate will determine if exceptions are permitted.

All materials shall be handled in such a manner as to preserve their quality and fitness for the work.

MAINTENANCE DURING CONSTRUCTION

The contractor shall maintain the work during construction and until the project is accepted. All cost of maintenance work during construction and before the project is accepted shall be included in the unit or lump sum prices on the various pay items.

FINAL INSPECTION

A final inspection meeting by the Department of Environmental Protection's Specialist and the contractor is required for the construction phase and prior to demobilization.

ACREAGE QUANTITIES

The acreage quantities in this contract are for bidding purpose and are set (definite) number for the project area as specified at the pre-bid showing. Only surveyed acreage's through figures the Contractor and/or the State develops will be honored to alter these acreage numbers.

BUYER CB-23	PAGE 023	REQ. OR PO NO. DEP14244
SPENDING UNIT WEST VIRGINIA DEPARTMENT OF ENVIRONMENTAL PROTECTION/ OFFICE OF SPECIAL RECLAMATION		

WV-36a STATE OF WEST VIRGINIA
REV. 1/29/02 PURCHASING CONTINUATION SHEET
VENDOR:

PAYMENT

Invoices must be submitted on prescribed Department of Environmental Protection, Special Reclamation Program forms and include verification. Certified contractor payrolls for operators directly involved in this project and a current workers compensation certificate must accompany each invoice for payment. Verification of wage rates may include employee interviews. Invoices shall be signed in blue ink so that it is easy to verify that document is an original.

MOBILIZATION/DEMobilIZATION shall be invoiced at fifty percent (50%) with the first invoice and the last 50% invoiced after demobilization and acceptance of the road abandonment or final invoice. Demobilization must have written approval.

SPILL CONTAINMENT AREA shall not exceed \$1,000.00 and will be payable in two payments. The first fifty percent (50%) payable with the first invoice and the remainder payable when all fuel tanks, containers and etc., are removed from the site.

Lump sum items shall be percentage payments based on work completed at time of invoice and paid upon acceptance by the Department of Environmental Protection.

Unit items shall be invoiced by specified units completed and accepted by the DEP.

ROAD ABANDONMENT shall be included in the final construction invoice.

TOP DRESSING must be invoiced based on the percentage completed.

FAILURE TO COMPLETE ON TIME AND LIQUIDATED DAMAGES

Time is an essential element of the Contract and it is important that the work be completed within the time specified. The cost to the Department of the administration of the Contract, including engineering, inspection and supervision, will increase as the time required to complete the work is increased.

The work performance period as specified in the contract's Notice to Proceed shall be complied with or result in liquidated damages. Such damages shall be assessed at an amount of two hundred and fifty dollars (\$250.00) per day for each and every day beyond the work performance period as specified in the Notice to Proceed. The total amount of daily charges, will be deducted from any moneys due the Contractor, not as a penalty but as liquidated damages.

REVEGETATION AND WARRANTY

The seeding date shall be at the discretion of the contractor once an approved seedbed has been prepared. In all cases a permanent vegetative cover capable of supporting the post-mining land use must be established. A warranty period of one (1) year shall commence upon completion and payment of the revegetation item of the contract. No payment will be made for additional seeding necessary to comply with warranty requirements. The warranty period will be extended for one (1) year from the date of the last augmented seeding done by the contractor. The performance bond and labor and materials bond shall remain in effect throughout the warranty period. The Standards for Evaluating Vegetative Cover as presented in Title 38, CSR2, Section 9 of the West Virginia Surface Mining Reclamation Regulations will apply.

Equipment for the retracking/scarification to eliminate rills and gullies shall be mobilized and utilized to produce slopes consistent with the regrading and topsoiling bid item prior to warranty reseeding. No additional payment will be made by DEP for this warranty work.

Water utilized for hydroseeding shall be free of injurious or other toxic substances harmful to plant life. The source of water is subject to the approval of the DEP contact person.

BUYER CB-23	PAGE 030	REQ. OR PO NO. DEP14244
SPENDING UNIT		
WEST VIRGINIA DEPARTMENT OF ENVIRONMENTAL PROTECTION/ OFFICE OF SPECIAL RECLAMATION		

WV-36a STATE OF WEST VIRGINIA
REV. 1/29/02 PURCHASING CONTINUATION SHEET
VENDOR:

CONTRACT NON-COMPLIANCE

If in the opinion of the Department of Environmental Protection the contract is not in compliance with any line item specification, that portion of the project shall cease until a compliance schedule and understanding is demonstrated in writing and accepted by the Director of Land Restoration.

CONTRACT DELETIONS

Any line item, or any portion thereof, may be deleted when determined by the project contact person that such line item, or portion thereof, is deemed unnecessary for the successful reclamation of this project. No claim for loss of anticipated profits will be considered.

CANCELLATION

The performance of work under contract may be terminated by the State in whole, or from time to time in part whenever the State shall determine that such termination is in the best interest of the State. Any such termination shall be effected by delivery to the Contractor of a Notice of Termination specifying the extent to which performance of work under the Contract is terminated and the date upon which such termination becomes effective.

When contracts, or any portion thereof, are terminated before completion of all items of work in the Contract, payment will be made for the actual number of units or items of work completed and accepted at the contract unit price. No claim for loss of anticipated profits will be considered. Reimbursement for organization of the work, when not otherwise included in the Contract, and moving equipment to and from the job will be considered where the volume of work completed and accepted is too small to compensate the Contractor for these expenses under the contract unit prices, the intent being that an equitable settlement will be made with the Contractor.

Termination of the Contract or a portion thereof shall not relieve the Contractor of his responsibilities for the completed work, nor shall it relieve his surety of it's obligation for and concerning any just claims arising out of the work performed.

This contract may be cancelled in whole or in part in writing by the Director of Purchasing, without prejudice to any other right or remedy it may have, provided that the contractor is given not less than thirty (30) calendar days written notice, (delivered by certified mail, return receipt requested) of intent to terminate. This contract objective is to comply with the reclamation laws of this state and must be expedient to meet the time requirements for reclamation of revoked surface mine permits.

BUYER CB-23	PAGE 031	REQ. OR PO NO. DEP14244
SPENDING UNIT WEST VIRGINIA DEPARTMENT OF ENVIRONMENTAL PROTECTION/OFFICE OF SPECIAL RECLAMATION		

WV-36a STATE OF WEST VIRGINIA
 REV. 1/29/02 PURCHASING CONTINUATION SHEET
 VENDOR:



**STATE OF WEST VIRGINIA
 DEPARTMENT OF ENVIRONMENTAL PROTECTION
 DIVISION OF WATER AND WASTE MANAGEMENT
 601 57th STREET SE
 CHARLESTON, WV 25304-2345
 GENERAL**

**NATIONAL POLLUTANT DISCHARGE ELIMINATION SYSTEM
 WATER POLLUTION CONTROL PERMIT**

Permit No. WV0115924

Issue Date: November 5, 2007
 Effective Date: December 5, 2007
 Expiration Date: December 4, 2012

Subject: Stormwater Associated
 With Construction Activities

To Whom It May Concern:

This is to certify that any establishment with discharges composed entirely of stormwater associated with construction activities disturbing one acre or greater of land area (construction activities are land disturbing operations such as grubbing, grading, filling and excavation operations during site development for residential, commercial or industrial purposes) and agreeing to be regulated under the terms of this general permit, except for;

1. Operations that result in the disturbance of less than one acre of total land area, which are not part of a larger common plan of development or sale.
2. Stormwater discharges associated with land disturbing activities that may reasonably be expected to be causing or contributing to a violation of a water quality standard as determined by the Director.
3. Land disturbing activities already governed by other Department of Environmental Protection NPDES permits. This includes Division of Mining and Reclamation permits for coal mining and non-metallic quarries.
4. Landfills, except in the preparation of a new landfill and/or clay borrow areas.
5. Other activities exempt from NPDES permitting requirements as set forth in 40CFR 122.3(e) and 47CSR 10-3.2 b.4 (NPDES Program).
6. Land disturbing activities related to oil and gas activities as required by the Energy Policy Act of 2005. These activities include but are not limited to construction of drilling sites, waste management pits, and access roads, as well as construction of the transportation and treatment infrastructure such as pipelines, natural gas treatment plants, natural gas pipeline compressor stations, and crude oil pumping stations. Construction activities that result in a discharge of a reportable quantity release or that contribute pollutants (other than non-contaminated sediments) to a violation of a water quality standard are still subject to permit coverage.

is hereby granted coverage under this General WV/NPDES Water Pollution Control Permit to allow stormwater discharges into the surface waters of the State. This General Permit is subject to the following terms and conditions:

BUYER CB-23	PAGE 032	REQ. OR PO NO. DEP14244
SPENDING UNIT WEST VIRGINIA DEPARTMENT OF ENVIRONMENTAL PROTECTION/OFFICE OF SPECIAL RECLAMATION		

WV-36a STATE OF WEST VIRGINIA
REV. 1/29/02 PURCHASING CONTINUATION SHEET
VENDOR:

The information submitted on and with the site registration application form will hereby be made terms and conditions of the General Permit with like effect as if all such information were set forth herein, and other pertinent conditions set forth in Sections A, B, C, D, E, F, G, H, I and J.

Construction of single family residences by the homeowner or homeowner's contractor requiring land disturbances less than three acres in size are provided coverage under the General WV/NPDES Water Pollution Control Permit and do not require application for registration. However, all other terms and conditions of the General WV/NPDES Water Pollution Control Permit still apply except for the Notice of Termination requirement.

Sites approved from January 1, 2006, thru November 4, 2007, are hereby granted coverage under General WV/NPDES Water Pollution Control Permit WV0115924. Sites approved prior to January 1, 2006, will have until June 30, 2008, to have final stabilization completed. Final stabilization means disturbed areas shall be covered by the appropriate permanent protection. Final stabilization includes; pavement, buildings, stable waterways (riprap, concrete, grass or pipe), a healthy, vigorous stand of perennial grass that uniformly covers at least 70 percent of the ground, stable outlet channels with velocity dissipation which directs site runoff to a natural watercourse, and any other approved structure or material. If these sites are not stabilized by June 30, 2008, an application to receive permit coverage will be required to be submitted to the Division of Water and Waste Management on or before, July 1, 2008.

SECTION A. TERMS OF PERMIT

Discharges from sites covered under the General Permit shall not cause or contribute to a violation of 47CSR2 (Requirements Governing Water Quality Standards) and 46CSR12, (Requirements Governing Groundwater Standards) of the West Virginia Legislative Rules pursuant to Chapter 22, Article 11 and Article 12. Discharges that are not in compliance with these standards are not authorized.

SECTION B. SCHEDULE OF COMPLIANCE

Compliance with this General Permit and the approved Stormwater Pollution Prevention Plan is required upon the beginning of the construction project.

SECTION C. MANAGEMENT CONDITIONS

C.1. Duty to Comply

C.1.a. The permittee must comply with all conditions of this permit. Permit noncompliance constitutes a violation of the federal Clean Water Act (CWA) and State Act (Chapter 22, Article 11 and Article 12) and is grounds for enforcement action; for permit modification, revocation and reissuance, suspension or revocation; or denial of a permit renewal application.

C.1.b. The permittee shall comply with all effluent standards or prohibitions established under Section 307(a) of the CWA for toxic pollutants within the time provided in the regulations that establish these standards or prohibitions, even if the permit has not yet been modified to incorporate the requirement.

C.2. Duty to Reapply

If the permittee seeks to continue an activity regulated by this permit after the expiration date of this permit, the permittee must apply for a new permit or general permit registration as detailed in permit reissuance.

C.3. Duty to Mitigate

The permittee shall take all reasonable steps to minimize or prevent any discharge in violation of this permit, which has a reasonable likelihood of adversely affecting human health or the environment.

BUYER CB-23	PAGE 033	REQ. OR PO NO. DEP14244
SPENDING UNIT WEST VIRGINIA DEPARTMENT OF ENVIRONMENTAL PROTECTION/OFFICE OF SPECIAL RECLAMATION		

WV-36a STATE OF WEST VIRGINIA
 REV. 1/29/02 PURCHASING CONTINUATION SHEET
 VENDOR:

C.4. Permit Actions

This permit may be modified, revoked and reissued, suspended, or revoked for cause. The filing of a request by the permittee for permit modification, revocation and reissuance, or revocation, or a notification of a planned change or anticipated noncompliance, does not stay any permit condition.

C.5. Property Rights

This permit does not convey any property rights of any sort, or any exclusive privilege.

C.6. Signatory Requirements

All applications, reports, or information submitted to the Director shall be signed and certified as required in 47CSR10-4.6. (NPDES Program). If an authorization becomes inaccurate because a different individual or position has responsibility for the overall operation of the project, a new authorization must be submitted to the Director prior to, or together with any reports, information, or applications to be signed by an authorized representative.

C.7. Transferability

This permit is not transferable to any person, except after notice to the Director. The Director may require modification or revocation and reissuance of the permit to change the name of the permittee and incorporate such other requirements as may be necessary.

C.8. Duty to Provide Information

The permittee shall furnish to the Director, within a reasonable specified time, any information which the Director may request to determine whether cause exists for modifying, revoking and reissuing, suspending, or revoking this permit, or to determine compliance with this permit. This information may include water quality information as specified by the Director. The permittee shall also furnish to the Director, upon request, copies of records required to be kept by this permit.

C.9. Other Information

Where the permittee becomes aware that it failed to submit any relevant facts in a permit application, or submitted incorrect information in a permit application or in any report to the Director, it shall immediately submit such facts or information.

C.10. Inspections and Entry

The permittee shall allow the Director or an authorized representative upon the presentation of credentials and such other documents as may be required by law

C.10.a. To enter upon the permittee's premises in which an effluent source or activity is located, or where records must be kept under the conditions of this permit;

C.10.b. To have access to and copy at reasonable times any records that must be kept under the conditions of this permit;

C.10.c. To inspect at reasonable times any facilities, equipment (including monitoring and control equipment), practices, or operations regulated or required under this permit;

C.10.d. To sample or monitor at reasonable times, for the purposes of assuring permit compliance or as otherwise authorized by the State Act, any substances or parameters at any location.

BUYER CB-23	PAGE 034	REQ. OR PO NO. DEP14244
SPENDING UNIT WEST VIRGINIA DEPARTMENT OF ENVIRONMENTAL PROTECTION/OFFICE OF SPECIAL RECLAMATION		

WV-36a STATE OF WEST VIRGINIA
REV. 1/29/02 PURCHASING CONTINUATION SHEET
VENDOR:

C.11. Permit Modification

This permit may be modified, suspended, or revoked in whole or in part during its term in accordance with the provisions of Chapter 22, Article 11 of the Code of West Virginia. Any permittee wishing to modify his coverage under this permit shall submit such request at least 45 days prior to the commencement of the proposed action for modification if no public notice period is required. A modification that will have a public notice period must be submitted at least 90 days prior to construction to allow for the public notice procedure.

C.12. Water Quality

The effluent or effluents covered by this permit are to be of such quality so as to not cause violations of applicable water quality standards.

C.13. Oil and Hazardous Substance Liability

Nothing in this permit shall be construed to preclude the institution of any legal action or relieve the permittee from any responsibilities, liabilities, or penalties to which the permittee is or may be subject under Section 311 of the CWA.

C.14. Liabilities

C.14.a. Any person who violates a permit condition implementing Sections 301, 302, 306, 307, 308, 318 or 405 of the CWA is subject to a civil penalty not to exceed \$25,000 per day of such violation. Any person who willfully or negligently violates permit conditions implementing Section 301, 302, 306, 307, or 308 of the CWA is subject to a fine of not less than \$2,500 nor more than \$25,000 per day of violation, or by imprisonment for not more than one year, or both.

C.14.b. Any person who knowingly makes any false statement, representation, or certification in any record or other document submitted or required to be maintained under this permit, including reports of compliance or noncompliance shall, upon conviction, be punished by a fine of not more than \$10,000 per violation, or by imprisonment for not more than six months per violation, or by both.

C.14.c. Nothing in C.14.a. and C.14.b. shall be construed to limit or prohibit any other authority the Director may have under the State Water Pollution Control Act, Chapter 22, Article 11 and State Groundwater Protection Act, Chapter 22, Article 12.

C.15. Outlet Markers

An outlet marker shall be posted during the term of General Permit coverage in accordance with Title 47, Series 11, Section 9 (Special Rules) of the West Virginia Legislative Rules.

SECTION D. OPERATION AND MAINTENANCE

D.1. Proper Operation and Maintenance

The permittee shall at all times properly operate and maintain all facilities and systems of treatment and control (and related appurtenances) which are installed or used by the permittee to achieve compliance with the conditions of the permit.

D.2. Need to Halt or Reduce Activity Not a Defense

It shall not be a defense for a permittee in an enforcement action that it would have been necessary to halt or reduce the permitted activity in order to maintain compliance with the conditions of this permit.

D.3. Bypass

BUYER CB-23	PAGE 135	REQ. OR PO NO. DEP14244
SPENDING UNIT		
WEST VIRGINIA DEPARTMENT OF ENVIRONMENTAL PROTECTION/OFFICE OF SPECIAL RECLAMATION		

WV-36a STATE OF WEST VIRGINIA
REV. 1/29/02 PURCHASING CONTINUATION SHEET
VENDOR:

D.3.a. Definitions

D.3.a.1. "Bypass" means the intentional diversion of waste streams from any portion of a treatment facility; and

D.3.a.2. "Severe property damage" means substantial physical damage to property, damage to the treatment facility which causes them to become inoperable, or substantial and permanent loss of natural resources that can reasonably be expected to occur in the absence of a bypass. Severe property damage does not mean economic loss caused by delays in production.

D.3.b. Bypass not exceeding limitations. The permittee may allow any bypass to occur which does not cause effluent limitations to be exceeded, but only if it also is for essential maintenance to assure efficient operation. These bypasses are not subject to the provisions of D.3.c. and D.3.d. of this permit.

D.3.c. Notification of bypass

D.3.c.1. If the permittee knows in advance of the need for a bypass, it shall submit prior notice, if possible at least 10 days before the date of the bypass.

D.3.c.2. If the permittee does not know in advance of the need for bypass, notice shall be submitted as requires in F.2.a. of this permit.

D.3.d. Prohibition of bypass

D.3.d.1. Bypass is permitted only under the following conditions, and the Director may take enforcement action against a permittee for bypass, unless;

D.3.d.1.A. Bypass was unavoidable to prevent loss of life, personal injury, or severe property damage;

D.3.d.1.B. There were no feasible alternatives to the bypass, such as the use of auxiliary treatment facilities, retention of untreated sediment, or maintenance during normal periods of equipment downtime. This condition is not satisfied if adequate backup equipment should have been installed in the exercise of reasonable engineering judgment to prevent a bypass that occurred during normal periods of equipment downtime or preventive maintenance. This condition is not satisfied if the sediment and erosion control structures were not installed in the proper sequence; and

D.3.d.1.C. The permittee submitted notices as required under D.3.c. of this permit.

D.3.d.2. The Director may approve an anticipated bypass, after considering its adverse effects, if the Director determines that it will meet the three conditions listed in D.3.d.1. of this permit.

D.4. Upset

D.4.a. "Upset" means an exceptional incident in which there is unintentional and temporary noncompliance with the terms and conditions of the permit and the Stormwater Pollution Prevention Plan because of factors beyond the reasonable control of the permittee. An upset does not include noncompliance to the extent caused by operational error, improperly designed treatment facilities, inadequate treatment facilities, lack of preventive maintenance, or careless or improper operation.

D.4.b. Effect of an upset. An upset constitutes an affirmative defense to an action brought for noncompliance with such technology-based permit effluent limitations if the requirements of D.4.c. are met. No determination made during administrative review of claims that noncompliance was caused by upset, and before an action for noncompliance, is final administrative action subject to judicial review.

D.4.c. Conditions necessary for a demonstration of upset. A permittee who wishes to establish the affirmative defense of upset shall demonstrate, through properly signed, contemporaneous operating logs, or other relevant evidence that:

D.4.c.1. An upset occurred and that the permittee can identify the cause(s) of the upset.

WV-36a STATE OF WEST VIRGINIA
REV. 1/29/02 PURCHASING CONTINUATION SHEET
VENDOR:

- D.4.c.2. The permitted project was at the time being properly operated.
- D.4.c.3. The permittee submitted notice of the upset as required in F.2.a. of this permit.
- D.4.c.4. The permittee complied with any remedial measures required under C.3. of this permit.
- D.4.d. Burden of proof. In any enforcement proceedings the permittee seeking to establish the occurrence of an upset has the burden of proof.
- D.5. Removed Substances

Where removed substances are not otherwise covered by the terms and conditions of this permit or other existing permits by the Director, any solids, sludge, filter backwash or other pollutants (removed in the course of treatment or control of wastewater) and which are intended for disposal within the State, shall be disposed of only in a manner and at a site subject to the approval by the Director. If such substances are intended for disposal outside the State or for reuse, i.e., as a material used for making another product, which in turn has another use, the permittee shall notify the Director in writing of the proposed disposal or use of such substances, the identity of the prospective disposer or users, and the intended place of disposal or use, as appropriate.

SECTION E. MONITORING AND REPORTING

Monitoring of discharges is not required for construction activities unless directed by the Director.

E.1. Definitions

"As-built drawing" means a certified drawing of conditions as they were actually constructed.

"Best management practices" (BMPs) means schedules of activities, prohibitions of practices, maintenance procedures, other management practices and various structural practices such as but not limited to silt fence, sediment traps, seeding and mulching, and rip-rap used to prevent or reduce erosion and sediment runoff and the pollution of surface waters of the State. BMPs also include treatment requirements, operating procedures and practices to control plant site runoff, spillage or leaks, sludge or waste disposal, or drainage from raw material storage.

"Buffer zone" means the region near the border of a protected area; a transition zone between areas managed for different objectives.

"Clearing" means cutting and removing vegetation with chain saws, brush axes, brush hogs and other mechanical means where there is little or no soil disturbance.

"Clean Water Act" (CWA) (formerly referred to as the Federal Water Pollution Control Act or Federal Water Pollution Control Act Amendments of 1972) Public Law 92-500, as amended by Public Law 95-217, Public Law 97-117 and Public Law 95-576; 33 U.S.C. 1251 et seq.

"Common plan of development" is a contiguous construction project where multiple separate and distinct construction activities may be taking place at different times on different schedules but under one plan. The "plan" is broadly defined as any announcement or piece of documentation or physical demarcation indicating construction activities may occur on a specific plot; included in this definition are most subdivisions.

"Control" is a best management practice such as erosion control or sediment control that will reduce sedimentation on a construction project.

"Construction Activity" means land disturbance operations such as grubbing, grading, filling, and excavating during site development for residential, commercial or industrial purposes. This includes, but is not limited to, access roads, borrow and spoil areas.

BUYER CB-23	PAGE 037	REQ. OR PO NO. DEP14244
SPENDING UNIT WEST VIRGINIA DEPARTMENT OF ENVIRONMENTAL PROTECTION/OFFICE OF SPECIAL RECLAMATION		

WV-36a STATE OF WEST VIRGINIA
REV. 1/29/02 PURCHASING CONTINUATION SHEET
VENDOR:

“Director” means the Director of the Division of Water and Waste Management, Department of Environmental Protection, or her designated representative.

“Disturbed area” is the total area of land disturbing activity that will take place during all phases of a construction project, including, but not limited to, all waste and borrow sites, utility installation, road building, mass grading, and site development.

“Diversion” means a berm or excavated channel or combination berm and channel constructed across sloping land on a predetermined grade. This includes but is not limited to protecting work areas from upslope runoff and reducing the size of the drainage going to sediment trapping structures (clean water diversion), transporting runoff across a project to minimize erosion and diverting sediment-laden water to an appropriate sediment-trapping structure.

“Erosion” means the displacement of solids (soil, mud, rock, and other particles) by the agents of wind, water, and ice in response to gravity.

“Establishment” means an industrial establishment, mill, factory, tannery, paper and pulp mill, mine, colliery, breaker or mineral processing operation, quarry, refinery, well and each and every industry or plant or works in the operation or process of which industrial wastes, sewage or other wastes are produced.

“Estimate” means to be based on a technical evaluation of the sources contributing to the discharge.

“Excavating” means large scale grading accomplished usually with heavy machinery.

“Final stabilization” means disturbed areas shall be covered permanent protection. Final stabilization includes pavement, buildings, stable waterways (riprap, concrete, grass or pipe), a healthy, vigorous stand of perennial grass that uniformly covers at least 70 percent of the ground, stable outlet channels with velocity dissipation that directs site runoff to a natural watercourse, and any other approved structure or material.

“Grading” means changing surface contours by removing soil and stone from one place and building it up in another.

“Groundwater” means the water occurring in the zone of saturation beneath the seasonal high water table or any perched water zones.

“Groundwater Protection Plan” (GPP) means groundwater protection practices developed and implemented in accordance with WV Legislative Rules, 47CSR58 (Groundwater Protection Rule).

“Grubbing” means physically removing vegetative stumps and roots from the ground and disturbing the earth, usually by heavy machinery.

“Intermittent stream” means a stream that has no flow during sustained periods of no precipitation and does not support aquatic life whose life history requires residence in flowing waters for a continuous period of at least six months.

“Karst” means a type of topography formed over limestone, dolomite, or gypsum resulting in dissolving or solution of the underlying calcareous rock.

“Minor construction activity” means an activity which disturbs one acre or more, but less than three acres.

“National Pollutant Discharge Elimination System” (NPDES) means the national program for issuing, denying, modifying, revoking and reissuing, suspending, revoking, monitoring and enforcing permits, and imposing and enforcing pretreatment requirements under Section 307, 318, 402, and 405 of CWA, including any approved state program.

“Notice of Intent” (NOI) is the form to be submitted by the applicant to register a small construction project (one that disturbs one to less than three acres) under the Construction Stormwater General Permit. A project that disturbs one to less than three acres but will have construction activities one year or longer must file a Site Registration Application Form.

WV-36a STATE OF WEST VIRGINIA
REV. 1/29/02 PURCHASING CONTINUATION SHEET
VENDOR:

“Notice of Termination” (NOT) is the form to be submitted by the permittee to terminate coverage under the Construction General Stormwater Permit, after final stabilization has been completed. See Final Stabilization.

“Permanent detention/retention facility” means: Detention- The process of reducing offsite stormwater discharge rates by temporarily holding the water in a storage basin and then releasing it slowly over a period of time. The objective of a detention facility is to regulate the runoff from a given rainfall event and to control discharge rates to reduce the impact on downstream stormwater systems. Retention- The prevention of stormwater runoff from being discharged into receiving waters by storing it in a storage area. Water is retained and stored until it is lost through percolation, removed by evapotranspiration by plants, or through evaporation from the free water surface. Retention systems are designed to not have any offsite discharges.

“Point source” is any discernible, confined and discrete conveyance, including but not limited to, any pipe, ditch, channel, tunnel, conduit, well, discrete fissure, and container from which pollutants are or may be discharged to surface waters of the state.

“Pollutant” means industrial waste, sewage or other wastes.

“Post-development” means the anticipated final conditions of the project, including rooftops, parking lots, streets, drainage systems, vegetation, and any other structure planned. For subdivisions and speculative developments, it will be assumed that all lots are developed.

“Pre-development” means the condition of the land, the amount and health of the ground cover and vegetation prior to development.

“Runoff coefficient” means the fraction of total rainfall that is not infiltrated into the ground that will appear at the point of discharge as runoff.

“Runoff curve number” is the numeric value reflecting the runoff coefficient and is based on soils, slopes, and type and health of the ground cover.

“Secretary” means the Secretary of the Department of Environmental Protection, or her designated representative.

“Sediment” means any particulate matter that can be transported by fluid flow and which eventually is deposited as a layer of solid particles on the bed or bottom of a body of water or other liquid.

“Sedimentation” means the deposition by settling of a suspended material.

“Sediment trap” means a temporary ponding area formed by constructing an embankment or excavation and embankment that will trap the flow of sediment-laden runoff. Sediment traps have a properly stabilized outlet/weir or riser and pipe to detain sediment-laden runoff from small disturbed areas of five acres or less. Outlets must be designed to extend the detention time and allow the majority of the sediment to settle out.

“Sediment basin” means a temporary structure consisting of an earthen embankment, or embankment and excavated area, located in a suitable area to capture sediment-laden runoff from a construction site. A sediment basin reduces the energy of the water through extended detention (48 to 72 hours) to settle out the majority of the suspended solids and sediment and prevent sedimentation in waterways, culverts, streams and rivers. Sediment basins have both wet and dry storage space to enhance the trapping efficiency and are appropriate in drainage areas of five acres and greater.

“Sinkhole” means a depression in the land surface formed by solution or collapse that directs surface runoff into subsurface or to an underground drainage flow.

“Site Registration Application forms” means the forms designed by the Director for the purpose of registering for coverage under a general permit. Under the General Permit there will be two separate forms, one for one to less than three acres (Notice of Intent) and the Site Registration Application form for projects that disturb three acres and greater. A project that disturbs one to less than three acres but will have construction activities one year or longer must file a Site Registration Application form.

“Stormwater” means stormwater runoff, snowmelt runoff, and surface runoff and drainage.

BUYER CB-23	PAGE 039	REQ. OR PO NO. DEP14244
SPENDING UNIT WEST VIRGINIA DEPARTMENT OF ENVIRONMENTAL PROTECTION/OFFICE OF SPECIAL RECLAMATION		

WV-36a STATE OF WEST VIRGINIA
REV. 1/29/02 PURCHASING CONTINUATION SHEET
VENDOR:

“Stormwater management facilities” means structures such as ponds, basins, outlets, ditches, velocity dissipaters, infiltration trenches and basins, extended detention basins and ponds, and any other structure used to control the quality and quantity of stormwater from a development project.

“Stormwater Pollution Prevention Plan” (SWPPP) means the erosion and sediment control plan and the post development plan submitted as part of the Site Registration Application form.

“Tier 2.5 Waters” means Waters of Special Concern as identified in 60CSR5 (Antidegradation Implementation Procedures) and 47CSR2-4.1.c. (Requirements Governing Water Quality Standards).

“Tier 3 Waters” means waters as otherwise identified in 47CSR2-4.1.d. (Requirements Governing Water Quality Standards).

“Trout Streams” means any waters which meet the definition of 47CSR2-2.18. (Requirements Governing Water Quality Standards).

“1-year, 24-hour precipitation event” means the maximum 24-hour precipitation event with a probable recurrence interval of once in one year.

“25-year, 24-hour precipitation” means the maximum 24-hour precipitation event with a probable recurrence interval of once in 25 years.

SECTION F. OTHER REPORTING

F.1. Reporting Spill and Accidental Discharges

Nothing in this permit shall be construed to preclude the institution of any legal action or relieve the permittee from any responsibilities, liabilities, or penalties established pursuant to 47CSR11-2. (Special Rules) of the West Virginia Legislative Rules promulgated pursuant to Chapter 22, Article 11.

F.2. Immediate Reporting

F.2.a. The permittee shall report any noncompliance which may endanger health or the environment immediately after becoming aware of the circumstances by using the Department’s designated spill alert telephone number ((800) 642-3074). A written submission shall be provided within five days of the time the permittee becomes aware of the circumstances. The written submission shall contain a description of the noncompliance and its cause; the period of noncompliance, including exact dates and time, and if, the noncompliance has not been corrected, the anticipated time it is expected to continue; and steps taken or planned to reduce, eliminate, and prevent recurrence of the noncompliance.

SECTION G. OTHER REQUIREMENTS

G.1. Requiring an Individual Permit or an Alternative General Permit.

G.1.a. The Director may require any person authorized by this permit to apply for and obtain either an individual NPDES permit or an alternative NPDES General Permit. Any interested person may petition the Director to take action under this paragraph. The Director may require any owner or operator authorized by this permit to apply for an individual NPDES permit only if the owner or operator has been notified in writing that such a permit application is required.

G.2. Prohibition of Non-Stormwater Discharges

All discharges authorized by this permit shall be composed entirely of stormwater. Discharges of material other than stormwater are not authorized by this permit except as follows.

WV-36a STATE OF WEST VIRGINIA
 REV. 1/29/02 PURCHASING CONTINUATION SHEET
 VENDOR:

The following non-stormwater discharges are authorized by this permit: discharges from firefighting activities, fire hydrant flushing; waters used to wash vehicles or control dust; potable water sources, including waterline flushing; irrigation drainage; lawn watering; routine external building washdown which does not use detergents; pavement washwater where spills or leaks of toxic or hazardous materials have not occurred (unless all spilled material has been removed) and where detergents are not used; air conditioning condensate; springs; uncontaminated groundwater; and foundation or footing drains where flows are not contaminated with process materials such as solvents that are combined with stormwater discharges associated with industrial activity.

This permit does not authorize the conveyance, diversion, channeling, directing or otherwise allowing the discharge of stormwater into a sinkhole without an Underground Injection Control Permit.

G.3. Releases in Excess of Reportable Quantities

This permit does not relieve the permittee of the reporting requirements of 40CFR117 and 40CFR302. The discharge of hazardous substances in the stormwater discharge(s) from a project is not authorized by this General Permit, and in no case shall the discharge(s) contain a hazardous substance equal to or in excess of reporting quantities.

G.4. Stormwater Pollution Prevention Plans and Groundwater Protection Plans (SWPPP/GPP)

A Stormwater Pollution Plan and a Groundwater Protection Plan shall be developed for each project covered by this permit. These two plans may be combined into one plan if all of the requirements for both plans are met. Alternatively, they may be developed and maintained as separate stand-alone documents.

Stormwater Pollution Prevention Plans shall be prepared in accordance with good engineering practices. The plan shall identify potential sources of pollution that may reasonably be expected to affect the quality of stormwater discharges associated with construction activity. In addition, the plan shall describe and ensure the implementation of practices that are to be used to reduce the pollutants in stormwater discharges associated with construction activity and to assure compliance with the terms and conditions of this permit.

Groundwater Protection Plans (GPP) shall be prepared in accordance with the requirements of 47CSR58-4.11. et seq (Groundwater Protection Regulations). The GPP shall identify all operations that may reasonably be expected to contaminate the groundwater resources with an indication of the potential for soil and groundwater contamination from those operations. In addition the GPP shall provide a thorough and detailed description of procedures designed to protect groundwater from the identified potential contamination sources. The GPP is not required to be submitted to the Division of Water and Waste Management for review. Guidance in the completion of a GPP is available from the Division of Water and Waste Management.

G.4.a. The SWPPP and the GPP shall be signed in accordance with Section C.6. and retained onsite.

G.4.b. The application and SWPPP shall be submitted to the Division of Water and Waste Management at least 45 days before construction is to begin, except as noted in G.4.b.3. and G.4.b.4. Prospective permittees should submit applications for review prior to accepting construction bids on the project. As the plans are evaluated by the Director or authorized representative, the Director or authorized representative may notify the permittee during the 45-day review period that the plan does not meet one or more of the minimum requirements of this section. After such notification from the Director or authorized representative, the permittee shall make changes to the plan in accordance with the time frames established below, and shall submit to the Director a written certification that the requested changes have been made.

G.4.b.1. Except as provided in G.4 b.2., the permittee shall have 30 days after such notification to make the changes necessary.

G.4.b.2. The permittee shall have 24 hours after such notification to make changes relating to sediment and erosion controls to prevent loss of sediment from an active construction site, unless additional time is provided by the Director or an authorized

BUYER CB-23	PAGE 04	REQ. OR PO NO. DEP14244
SPENDING UNIT WEST VIRGINIA DEPARTMENT OF ENVIRONMENTAL PROTECTION/OFFICE OF SPECIAL RECLAMATION		

WV-36a STATE OF WEST VIRGINIA
REV. 1/29/02 PURCHASING CONTINUATION SHEET
VENDOR:

- G.4.b.3. Projects disturbing less than three acres and that do not discharge to or upstream of Tier 2.5 or Tier 3 waters shall submit only the Notice of Intent Form (NOI) 10 days prior to initiating construction. A project that disturbs one to less than three acres but will have construction activities one year or longer must file a Site Registration Application form.
- G.4.b.4. Projects that will discharge to or upstream of Tier 2.5 or Tier 3 waters and disturb three acres or more, or that will disturb 100 or more acres, or that the grading phase of construction will last for more than one year, shall submit the application and SWPPP at least 90 days prior to construction to allow for the public notice procedure.
- G.4.b.5. Within 24 hours of filing an NOI (one to less than three acres) or a Site Registration Application (three acres or more) with DWWM, all projects shall display a sign for the duration of the construction project near the entrance of the project or, for linear projects, at a location near an active part of the project that is accessible by the public, which contains the following information using the template found in the instructions: 1) the registrant's name or the name of a contact person along with a telephone number; 2) A brief description of the project; 3) a statement indicating that the NOI or SWPPP, as applicable, has been filed with the DWWM; 4) the address and telephone number of the agency where the NOI or SWPPP is maintained; and 5) That any person may obtain a copy of the NOI or SWPPP by contacting the DWWM at (800) 654-5227. The sign shall be a minimum of two feet by two feet and at least three feet above ground level, clearly visible and legible from a public roadway or right-of-way. If it is not feasible to display a sign at or near the project, the registrant, with prior approval from the DWWM, may post a notice containing the foregoing information at a local public building, including, but not limited to, a town hall or public library.
- G.4.c. The permittee shall modify, using forms provided by DWWM, the SWPPP whenever there is a change in design, construction, scope of operation, or maintenance, which has the potential to adversely impact the surface waters of the State, or if the SWPPP proves to be ineffective in achieving the general objectives of controlling pollutants in stormwater discharges associated with construction activities. Should conditions warrant, the Director, or the Director's representative, may request changes to the SWPPP during a field inspection. The Director may review changes or modifications to the SWPPP in the same manner as above.
- The permittee shall amend the GPP whenever there is a change in design, construction, operation, or maintenance which could reasonably be expected to have an impact on the potential contamination of groundwater.
- G.4.d. In addition to the requirements of G.4.e, the SWPPP shall also include, at a minimum, the following items:
- G.4.d.1. General management controls
- G.4.d.1.A. Preventive maintenance – A preventive maintenance program shall involve inspection and maintenance of sediment and erosion control best management practices to identify and address conditions that could cause breakdowns or failures resulting in discharges of pollutants to surface waters.
- G.4.d.1.B. Good housekeeping – Good housekeeping requires the maintenance of a clean and orderly project.
- G.4.d.1.C. Spill prevention and response procedures – Areas where potential spills may occur, and their accompanying drainage points, shall be identified clearly in the SWPPP/GPP. Where appropriate, specify material handling procedures and storage requirements in the SWPPP/GPP. Procedures for cleaning up spills shall be identified in the plan and made available to the appropriate personnel. The necessary equipment to implement a cleanup shall be available to personnel, including spill kits.
- G.4.d.2. Consistency with other plans
- Stormwater Pollution Prevention Plans may reflect requirements for Spill Prevention Control and Countermeasure (SPCC) plans under section 311 of the CWA or any Best Management Practices (BMP) and Groundwater Protection Plans (GPP) pursuant to 47CSR58 (Groundwater Protection Rule) or otherwise required by an NPDES permit and may incorporate any part of such plans into the Stormwater Pollution Prevention Plan by reference.
- G.4.e. Requirements for construction activities – Operations that discharge stormwater associated with construction activity disturbing one or more acres are not only subject to the requirements of Section G.4.d. of this permit, but are also subject to the following requirements. The SWPPP shall include, as a minimum, the following items.

WV-36a STATE OF WEST VIRGINIA
 REV. 1/29/02 PURCHASING CONTINUATION SHEET
 VENDOR:

G.4.e.1. Site description – Each plan shall, at a minimum, provide a description of the following:

G.4.e.1.A. A description of the nature of the construction activity, including a proposed timetable for major activities;

G.4.e.1.B. Estimates of the total area of the site and the part of the site that is expected to undergo excavation or grading and the total amount of excavation by cut and fill;

G.4.e.1.C. For each discharge design point, the pre-construction peak discharge from a one year, 24-hour storm in cubic feet per second and an the post-development peak discharge from a one year, 24-hour storm in cubic feet per second shall be calculated. The design procedures shall follow professionally accepted engineering and hydrologic methodologies.

G.4.e.1.D. Site maps indicating, with a minimum of five-foot contours, drainage patterns and slopes prior to construction and anticipated conditions after grading activities, topsoil stockpiles, waste areas, borrow sites, locations of sediment control structures identified in the narrative, the location of impervious areas after construction is complete, final stormwater routing including all ditches and pipe systems, property boundaries and easements, nearest receiving stream, access roads, legend and springs, surface waters and any other information necessary to describe the project in detail.

G.4.e.1.E. A description and detail of the proposed construction entrance(s). Each site shall have stone access entrance and exit drives and parking areas to reduce the tracking of sediment onto public or private roads. Except for haul roads, all unpaved roads on the site carrying more than 25 vehicles per day shall be graveled.

G.4.e.2. Controls – Each construction operation covered by this permit shall develop a description of controls appropriate for the project and implement such controls. The description of these controls shall address the following minimum components, including a schedule for implementing such controls.

G.4.e.2.A. Erosion and sediment controls

G.4.e.2.A.i. Vegetative practices – A description of interim and permanent stabilization practices, including site specific implementation schedules of the practices shall be provided. Site plans should ensure that existing vegetation is preserved where attainable and that disturbed portions of the site are stabilized as rapidly as possible. Stabilization practices may include: temporary seeding, permanent seeding, mulching, geotextiles, sod stabilization, vegetative buffer strips, protection of trees, preservation of mature vegetation, and other appropriate measures. Also include in the plan seedbed preparation requirements and the type and amount of soil amendments necessary to establish a healthy stand of vegetation. A record of the dates when major grading activities will occur, and when construction activities temporarily or permanently cease on a portion of the site, and when stabilization measures will be initiated shall be included in the plan. Except as noted below, stabilization measures shall be initiated as soon as practicable in portions of the site where construction activities have temporarily or permanently ceased, but in no case more than seven days after the construction activity in that portion of the site has permanently ceased.

G.4.e.2.A.i.a. Where the initiation of stabilization measures by the seventh day after construction activity temporarily or permanently ceases is precluded by snow cover, stabilization measures shall be initiated as soon as conditions allow.

G.4.e.2.A.i.b. Where construction activity will resume on a portion of the site within 21 days from when activities ceased, (e.g., the total time period that construction activity is temporarily halted is less that 21 days) then stabilization measures do not have to be initiated on that portion of the site by the seventh day after construction activities have temporarily ceased.

G.4.e.2.A.i.c. Areas where the seed has failed to germinate adequately (uniform perennial vegetative cover with a density of 70%) within 30 days after seeding and mulching must be reseeded immediately, or as soon as weather conditions allow.

G.4.e.2.A.i.d. Diversions must be stabilized prior to becoming functional.

BUYER CB-23	PAGE 043	REQ. OR PO NO. DEP14244
SPENDING UNIT WEST VIRGINIA DEPARTMENT OF ENVIRONMENTAL PROTECTION/OFFICE OF SPECIAL RECLAMATION		

WV-36a STATE OF WEST VIRGINIA
REV. 1/29/02 PURCHASING CONTINUATION SHEET
VENDOR:

- G.4.e.2.A.ii. Structural practices – A description of the structural practices to be used to divert flows around exposed soils, store flows or otherwise limit runoff from exposed areas and eliminate sediment-laden runoff from the site. Such practices may include but are not limited to silt fences, earth dikes and berms, land grading, diversions, drainage swales, check dams subsurface drains, pipe slope drains, storm drain inlet protection, rock outlet protection, reinforced soil retention systems and geotextiles, gabions and riprap, and permanent and temporary sediment traps/basins.
- G.4.e.2.A.ii.a. For locations on a site that have a drainage area of five acres or less, a sediment trap which provides a storage volume equal to 3,600 cubic feet per acre of drainage area shall be installed. Half of the volume of the trap will be in a permanent pool and half will be dry storage.
- G.4.e.2.A.ii.b. For drainage areas of greater than five acres, a sediment basin providing 3,600 cubic feet per drainage acre shall be installed. Half of the volume of the basin shall be in a permanent pool and half shall be dry storage. Sediment basins must be able to dewater the dry storage volume in 48 to 72 hours. A sediment basin must be able to pass through the spillway(s) a 25-year, 24-hour storm event, and still maintain at least one foot of freeboard.
- G.4.e.2.A.ii.c. The inlet(s) and outlet(s) for a sediment trapping structure must be protected against erosion by appropriate material such as riprap or other similar media.
- G.4.e.2.A.ii.d. If necessary, diversions will be used to direct runoff to the trapping structure. Diversions must be stabilized prior to becoming functional.
- G.4.e.2.A.ii.e. For locations served by a common drainage where a detention basin providing 3,600 cubic feet of storage is not attainable, additional sediment and erosion controls within the project area are required in lieu of the required sized sediment basin. Justification and a narrative description of the additional measures proposed must be provided for use of any practice(s) other than sediment basins or traps.
- G.4.e.2.A.ii.f. Fill slopes must be protected by measures used to divert runoff away from fill slopes to conveyance measures such as pipe slope drains or stable channels.
- G.4.e.2.A.ii.g. Sediment trapping structures will be eliminated and the area properly reclaimed and stabilized when the contributing drainage area is stabilized and the structures are no longer needed, unless the structure is converted into a permanent stormwater detention/retention structure.
- G.4.e.2.A.ii.h. All trapped sediments will be disposed on an upland area where there is no chance of entering nearby streams.
- G.4.e.2.A.ii.i. Breaching the embankment to dewater the structure is not permitted. Dewatering and structure removal shall not cause a violation of water quality standards. Provide a description of the procedures that will be used in removing these structures and the time frame.
- G.4.e.2.A.ii.j. No sediment-laden water will be allowed to leave the site without going through an appropriate best management practice.
- G.4.e.2.A.ii.k. Hay or straw bales are not acceptable BMPs.
- G.4.e.2.A.iii. Presumptive conditions for discharges to Tier 2.5 and Tier 3 waters
- Construction activities discharging to Tier 2.5 or Tier 3 waters will go through the Tier 2.5 or Tier 3.0 antidegradation review process.

WV-36a STATE OF WEST VIRGINIA
REV. 1/29/02 PURCHASING CONTINUATION SHEET
VENDOR:

G.4.e.2.B. Stormwater management plan

A description of measures that will be installed during construction to control pollutants in stormwater discharges after the project is completed shall be included in the SWPPP. The completed project shall convey stormwater runoff in a manner that will protect both the site and the receiving stream from post-construction erosion. All surface waters and other runoff conveyance structures shall be permanently stabilized as appropriate for expected flows. In developing structural practices for stormwater control, the permittee shall consider the use of, but not limited to: infiltration of runoff onsite; flow attenuation by use of open vegetated swales and natural depressions; stormwater retention structures and stormwater detention structures. A combination of practices may be utilized. The permittee should consider low impact development (LID) in the design of the site and the best management practices. This will allow the site to retain its natural hydrology and infiltrate stormwater within the boundary of the site. The use of impervious surfaces for stabilization should be avoided. Velocity dissipation devices shall be placed at the outlet of all detention or retention structures and along the length of any outlet channel as necessary to provide a non-erosive velocity flow from the structure to a water course.

Projects located in areas that have local government requirements and/or criteria for post development stormwater management must meet those requirements and/or criteria. Compliance with this general permit does not assure compliance with local codes regulations, or ordinances.

The permittee shall submit all calculations, watershed mapping, design drawings, and any other information necessary to explain the technical basis for the stormwater management plan. Since development site conditions vary widely, plan preparers will have significant latitude in designing practices to comply with this provision of the permit. However, design procedures shall follow professionally accepted engineering and hydrologic methodologies. Permanent stormwater management structures that will impound water (detention/retention basins or similar structures) shall be designed and certified by a registered professional engineer. These structures shall also have a certified as-built drawing submitted with the Notice of Termination at the completion of the project.

G.4.e.2.C Other controls

G.4.e.2.C.i. Waste disposal – All solid waste and construction/demolition material must be disposed of in accordance with the Code of West Virginia and Legislative Rule Title 33 Series 1, (Solid Waste Management Rule).

G.4.e.2.C.ii. Provisions must be made to control fugitive dust.

G.4.e.2.C.iii. Groundwater Protection Plan (GPP) – The applicant shall prepare a GPP that will satisfy the 47CSR58-4.11. et seq. Groundwater must be protected in accordance with the Code of West Virginia and Legislative Rule Title 47 Series 58 (Groundwater Protection Rule).

G.4.e.2.C.iv. Employee training – Employee training programs shall inform personnel at all levels of responsibility of the components and goals of the SWPPP. Training should address topics such as spill response, good housekeeping and routine inspection. Training shall be on a quarterly basis and records of the training shall be maintained on site for review by the Director or the Director's representative.

G.4.e.2.C.v. Visual inspection – Company personnel shall be identified to inspect as set forth under G.4.e.2.D. A tracking procedure shall be used to ensure that adequate corrective actions have been taken in response to deficiencies identified during an inspection. Records of inspections shall be maintained onsite for review by the Director or the Director's representative.

G.4.e.2.C.vi. Recordkeeping and internal reporting procedures – Incidents such as spills, leaks and improper dumping, along with other information describing the quality and quantity of stormwater discharges should be included in the records. Inspection and maintenance records must be kept onsite for review by the Director or the Director's representative.

G.4.e.2.D Maintenance

A description of procedures to maintain in good and effective condition and promptly repair or restore all grade surfaces, walls, dams and structures, vegetation, erosion and sediment control measures and other protective devices identified in the site plan. At a minimum, procedures in a plan shall provide that all erosion controls on the site are inspected at least once every seven calendar days and within 24 hours after any storm event of greater than 0.5 inches of rain per 24-hour period.

BUYER CB-23	PAGE 045	REQ. OR PO NO. DEP14244
SPENDING UNIT WEST VIRGINIA DEPARTMENT OF ENVIRONMENTAL PROTECTION/OFFICE OF SPECIAL RECLAMATION		

WV-36a STATE OF WEST VIRGINIA
REV. 1/29/02 PURCHASING CONTINUATION SHEET
VENDOR:

G.4.e.2.D.i. All public and private roads adjacent to a construction entrance must be inspected and cleaned of debris originating from the construction site as necessary.

G.4.f. All Stormwater Pollution Prevention Plans and Groundwater Protection Plans required under this permit are considered reports that shall be available to the public under Section 308(b) of the CWA. The owner or operator of a project with stormwater discharges covered by this permit shall make plans available to members of the public upon request. However, the permittee may claim any portion of a Stormwater Pollution Plan or Groundwater Protection Plan as confidential in accordance with 47 CSR10-12.7. (NPDES Program).

G.4.g. Compliance with other laws and statutes

Nothing in this general permit shall be construed as excusing the permittee from compliance with any applicable federal, state, or local statutes, ordinances, or regulations.

G.5. Discharges to Impaired Waters

This permit does not authorize new sources or new discharges of constituents of concern to impaired waters unless consistent with the approved total maximum daily load (TMDL) and applicable state law. Impaired waters are those that do not meet applicable water quality standards and are listed on the Clean Water Act Section 303(d) list. Pollutants of concern are those constituents for which the water body is listed as impaired. Discharges of pollutants of concern to impaired waterbodies for which there is an approved TMDL are not eligible for coverage under this permit unless they are consistent with the approved TMDL. Within six months of the TMDL approval, permittees must incorporate any limitations, conditions or requirements applicable to their discharges necessary for compliance with the TMDL, including any monitoring or reporting required by DWWM rules, into their SWPPP in order to be eligible for coverage under this general permit.

Sites that discharge into a receiving water that has been listed on the Clean Water Act 303(d) list of impaired waters, and with discharges that contain the pollutant(s) for which the water body is impaired, must document in the SWPPP how the BMPs will control the discharge of the pollutant(s) of concern.

G.6. Endangered and Threatened Species

If a site discharges to a stream where a federally endangered or threatened species or its habitats are present, the applicant shall contact the U.S. Fish and Wildlife Service to insure that requirements of the federal Endangered Species Act are met.

H. Reopener Clause

If there is evidence indicating potential or realized impacts on water quality due to any stormwater discharge authorized by this general permit, the owner or operator of such discharge may be required to obtain an individual permit or alternative general permit in accordance with Section G.1. of this permit, or the permit may be modified to include different limitations and/or requirements.

I. The conditions, standards, and limitations of this General Permit will be reviewed at the time of reissuance for possible revisions that may lead to more or less stringent conditions, standards, and limitations.

BUYER CB-23	PAGE 046	REQ. OR PO NO. DEP14244
SPENDING UNIT		
WEST VIRGINIA DEPARTMENT OF ENVIRONMENTAL PROTECTION/OFFICE OF SPECIAL RECLAMATION		

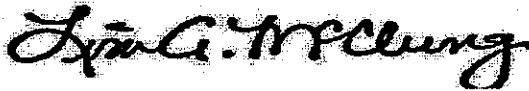
WV-36a STATE OF WEST VIRGINIA
REV. 1/29/02 PURCHASING CONTINUATION SHEET
VENDOR:

J. Permit coverage for construction activities encompassed by this permit expires upon satisfactory stabilization of the site. Satisfactory stabilization means ALL disturbed areas shall be covered by some permanent protection. Stabilize includes pavement, buildings, waterways (riprap, concrete, grass, or pipe), a healthy, vigorous stand of grass that uniformly covers more than 70 percent of the ground, stable outlet channels with velocity dissipation which directs site runoff to a natural watercourse, and any other approved structure or material. The permittee will request a final inspection by sending in the Notice of Termination. The Notice of Termination shall also include as-built drawings, certified by a registered professional engineer, for any permanent ponds or basins. Sites not stabilized will continue to have coverage under this permit and will be assessed an annual permit fee as promulgated by the West Virginia Legislature. Sites will be assessed a prorated annual fee based upon the completion date and proper stabilization. The Notice of Termination must be submitted within 30 days after final stabilization is achieved.

The herein-described activity is to be constructed or installed and operated, used and maintained strictly in accordance with the terms and conditions of this permit with any plans, specifications, and information submitted with the individual site registration application form, with any plan of maintenance and method of operation thereof submitted and with any applicable rules and regulations promulgated by the Environmental Quality Board and the Secretary of the Department of Environmental Protection.

Failure to comply with the terms and conditions of this permit, with any plans, specifications and information submitted, and with any plan of maintenance and method of operation thereof submitted shall constitute grounds for the revocation or suspension of this permit to any individual establishment or other person and for the invocation of all the enforcement procedures set forth in Chapter 22, Articles 11 and 12 of the Code of West Virginia.

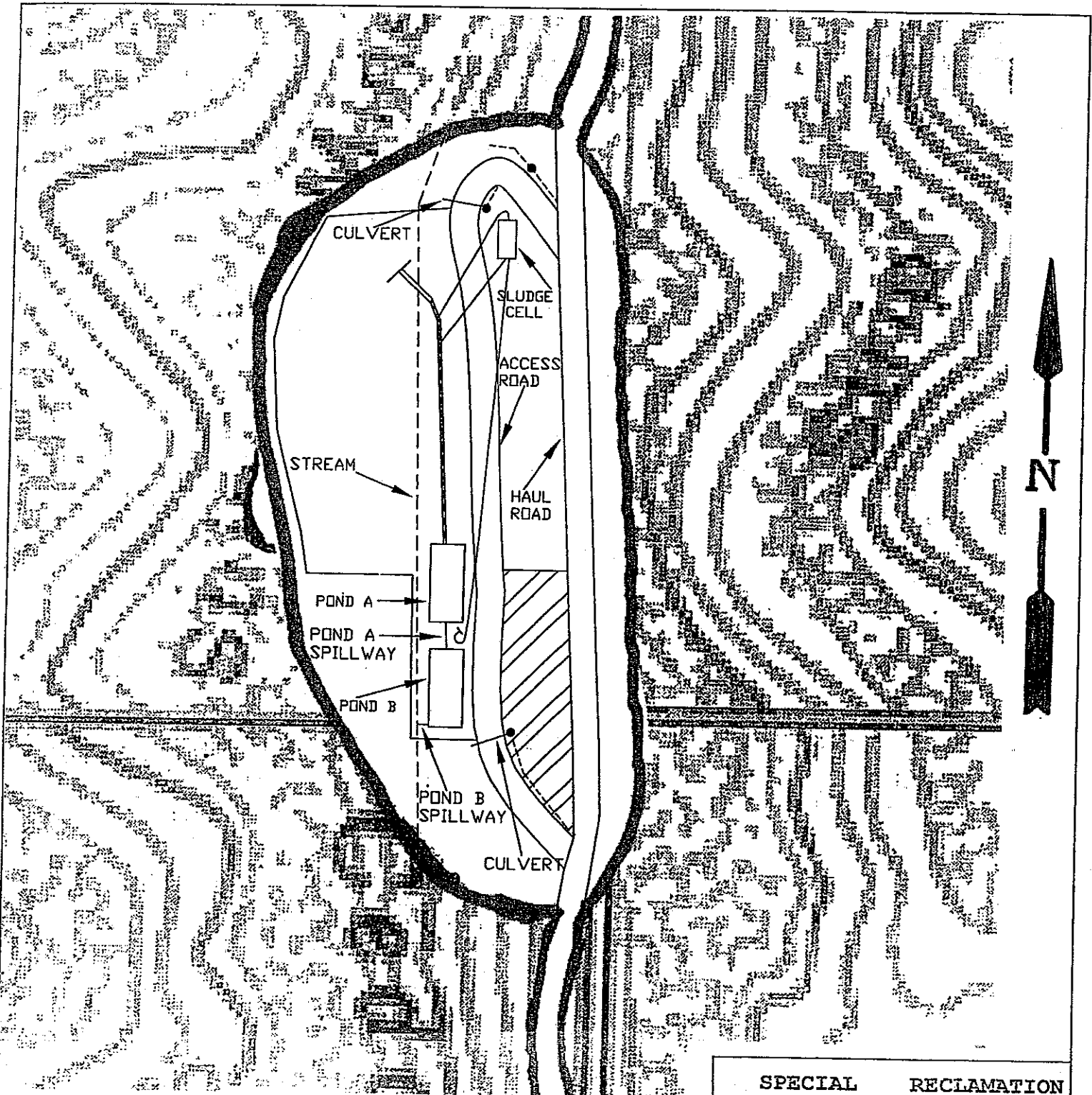
This permit is issued in accordance with the provisions of Chapter 22, Article 11 of the Code of West Virginia.



BY: _____
Director

BUYER CB-23	PAGE 7	REQ. OR PO NO. DEP14244
SPENDING UNIT WEST VIRGINIA DEPARTMENT OF ENVIRONMENTAL PROTECTION/SPECIAL RECLAMATION		

WV-36 STATE OF WEST VIRGINIA
 REV. 1/29/02 PURCHASING CONTINUATION SHEET
 VENDOR:

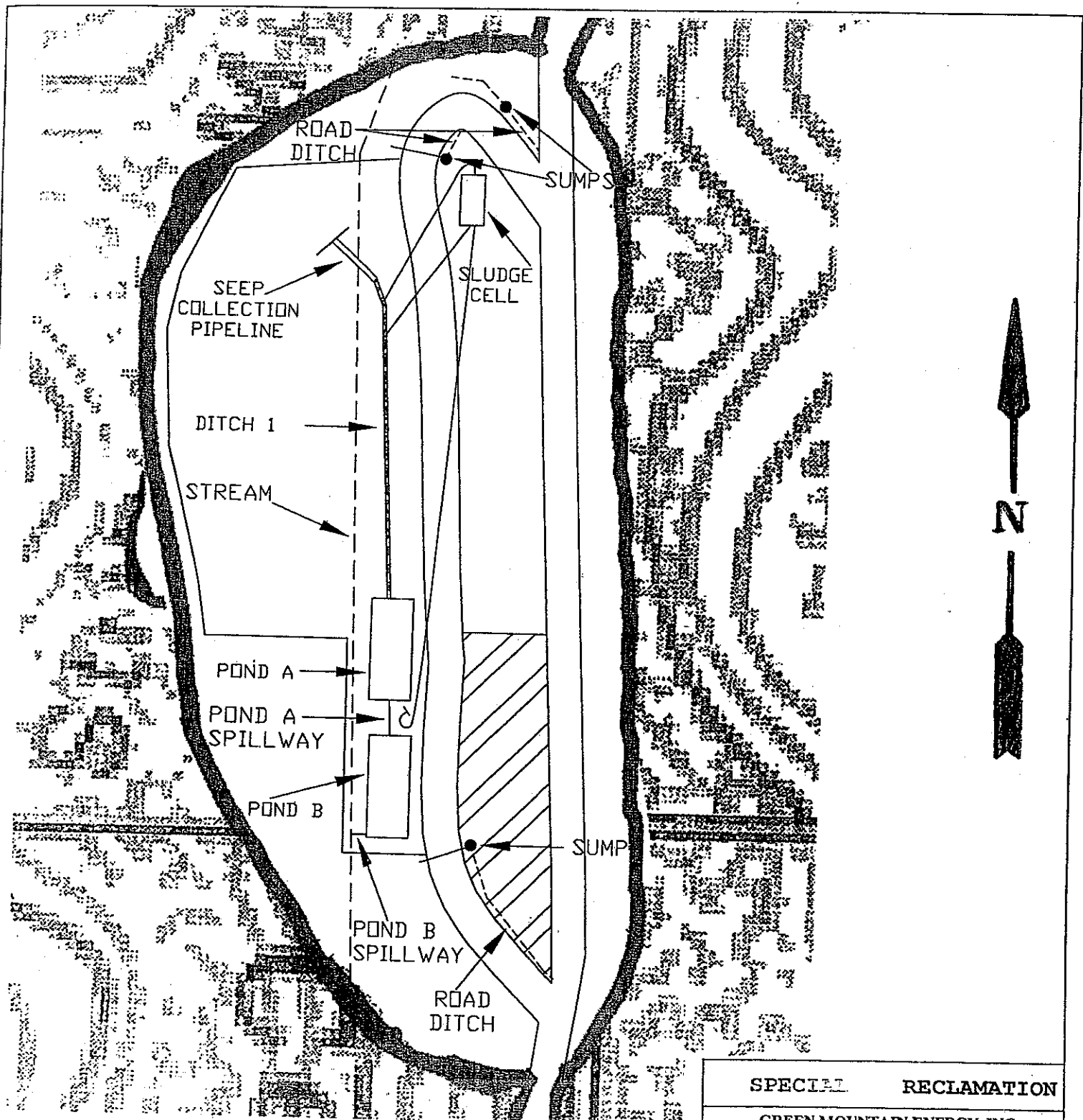


SITE OVERVIEW MAP

SPECIAL RECLAMATION	
GREEN MOUNTAIN ENERGY, INC. U-4013-91	
SCALE: N/A	DRAWN BY:
DATE:	PROJECT NO.:

BUYER CB-23	PAGE 748	REQ. OR PO NO. DEP14244
SPENDING UNIT WEST VIRGINIA DEPARTMENT OF ENVIRONMENTAL PROTECTION/SPECIAL RECLAMATION		

WV-36 STATE OF WEST VIRGINIA
 REV. 1/29/02 PURCHASING CONTINUATION SHEET
 VENDOR:

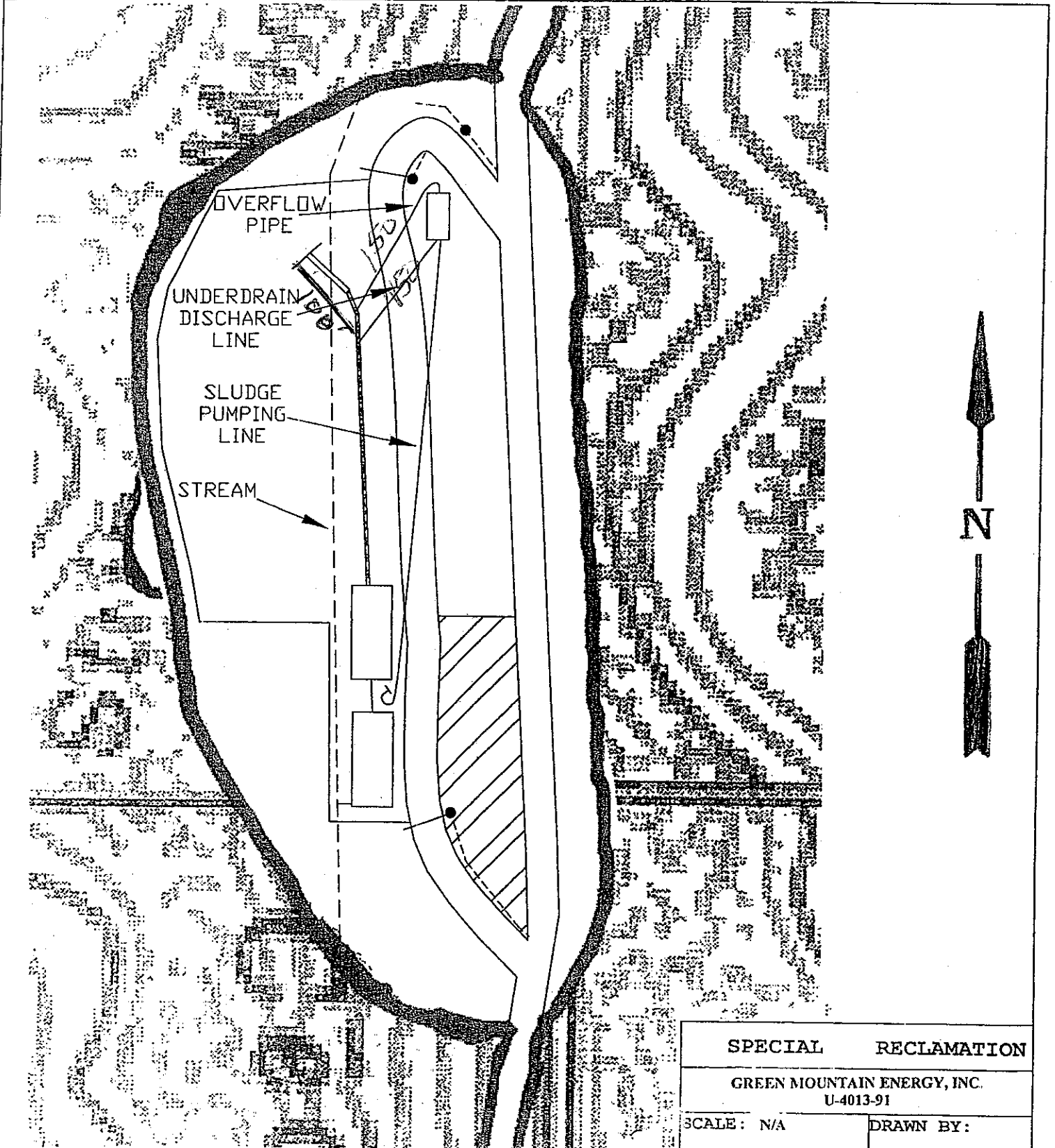


SITE DETAIL MAP

SPECIAL RECLAMATION	
GREEN MOUNTAIN ENERGY, INC. U-4013-91	
SCALE: N/A	DRAWN BY:
DATE:	PROJECT NO.:

BUYER CB-23	PAGE 049	REQ. OR PO NO. DEP14244
SPENDING UNIT WEST VIRGINIA DEPARTMENT OF ENVIRONMENTAL PROTECTION/SPECIAL RECLAMATION		

WV-36 STATE OF WEST VIRGINIA
 REV. 1/29/02 PURCHASING CONTINUATION SHEET
 VENDOR:



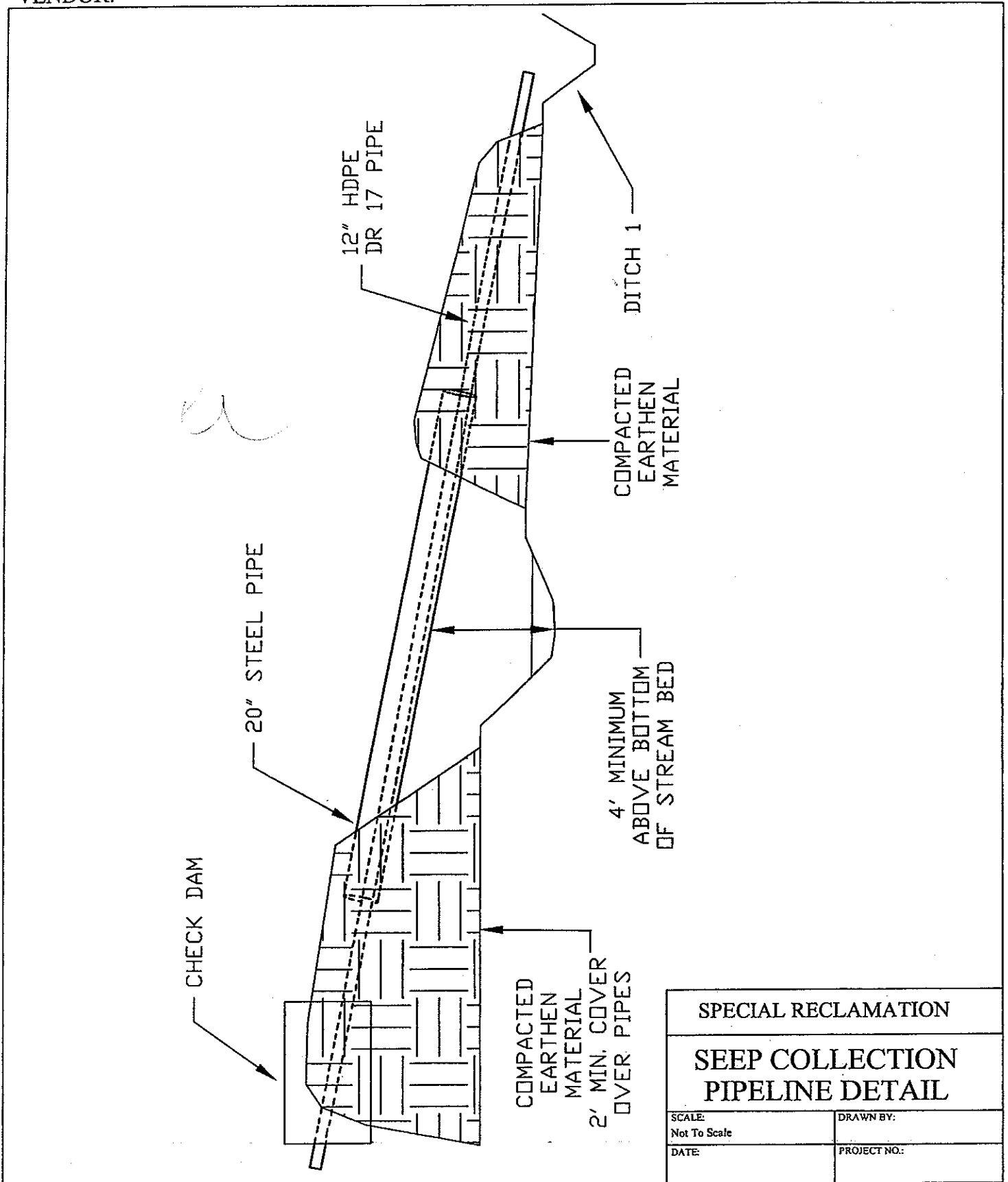
SPECIAL RECLAMATION	
GREEN MOUNTAIN ENERGY, INC. U-4013-91	
SCALE: N/A	DRAWN BY:
DATE:	PROJECT NO.:

SLUDGE CELL RELATED LINE LOCATIONS

WV-36
REV. 1/29/02
VENDOR:

STATE OF WEST VIRGINIA
PURCHASING CONTINUATION SHEET

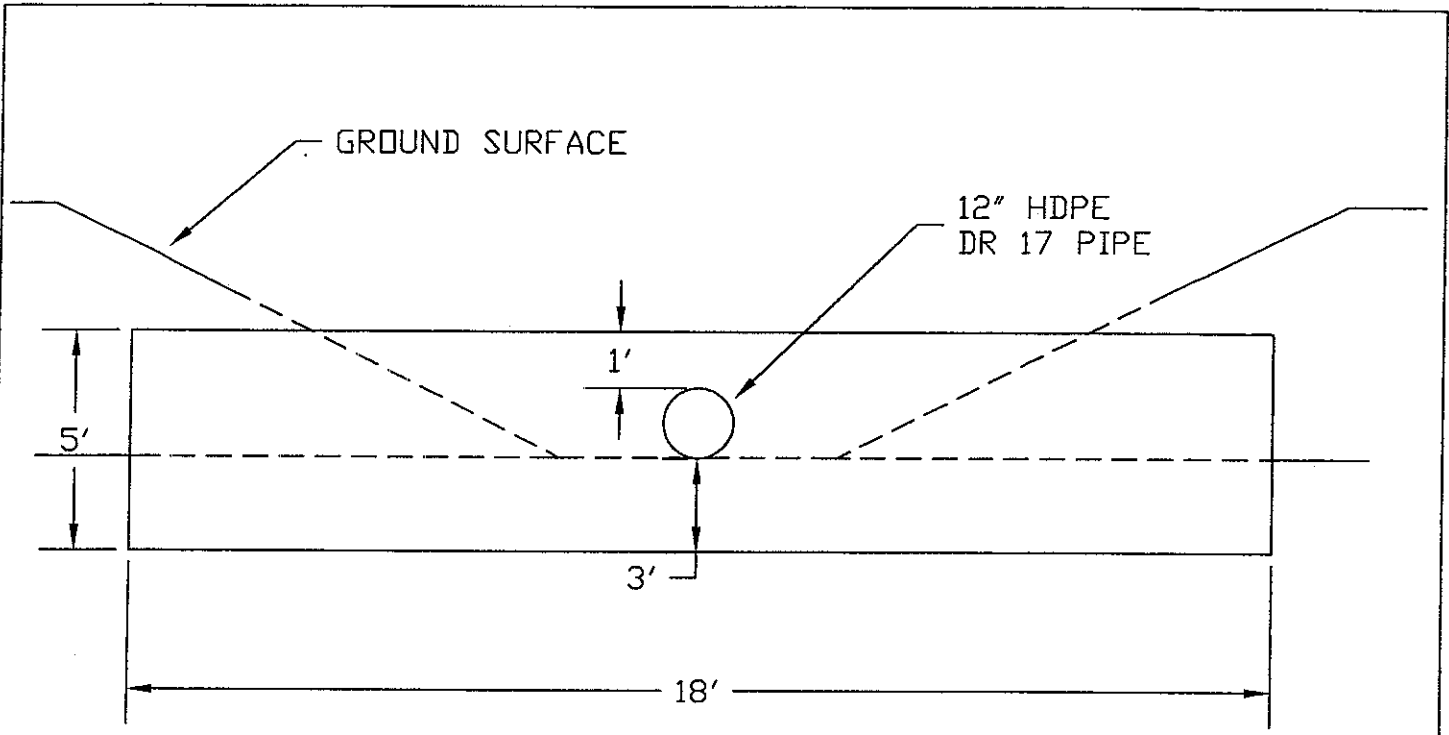
BUYER CB-23	PAGE 150	REQ. or P.O. No. DEP14244
SPENDING UNIT WEST VIRGINIA DEPARTMENT OF ENVIRONMENTAL PROTECTION/ SPECIAL RECLAMATION		



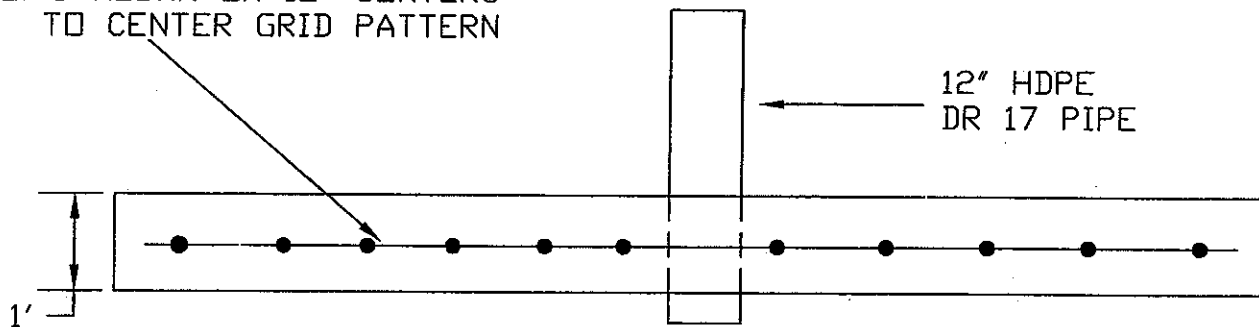
SPECIAL RECLAMATION	
SEEP COLLECTION PIPELINE DETAIL	
SCALE: Not To Scale	DRAWN BY:
DATE:	PROJECT NO.:

BUYER CB-23	PAGE 051	REQ. or P.O. No. DEP14244
SPENDING UNIT WEST VIRGINIA DEPARTMENT OF ENVIRONMENTAL PROTECTION/ SPECIAL RECLAMATION		

WV-36 STATE OF WEST VIRGINIA
 REV: 1/29/02 PURCHASING CONTINUATION SHEET
 VENDOR:



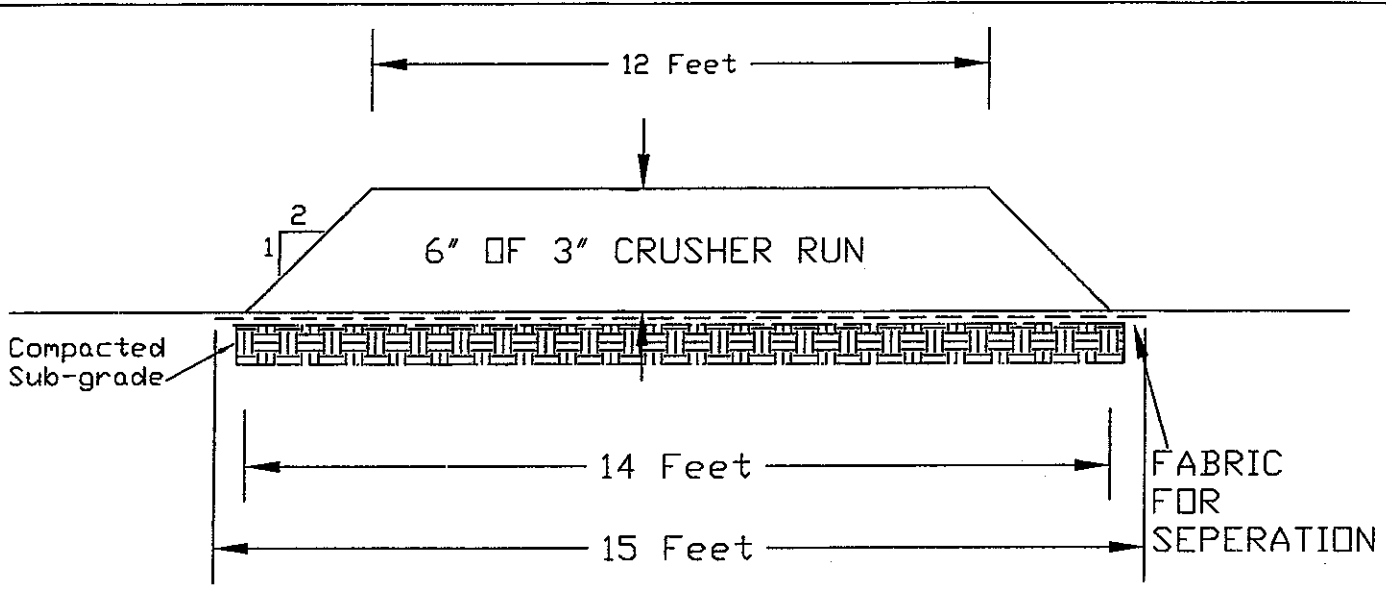
NO. 5 REBAR ON 12" CENTERS
 TO CENTER GRID PATTERN



SPECIAL RECLAMATION	
CONCRETE CHECK DAM	
SCALE: Not To Scale	DRAWN BY:
DATE:	PROJECT NO.:

WV-36
REV. 1/29/02
VENDOR:

STATE OF WEST VIRGINIA
PURCHASING CONTINUATION SHEET

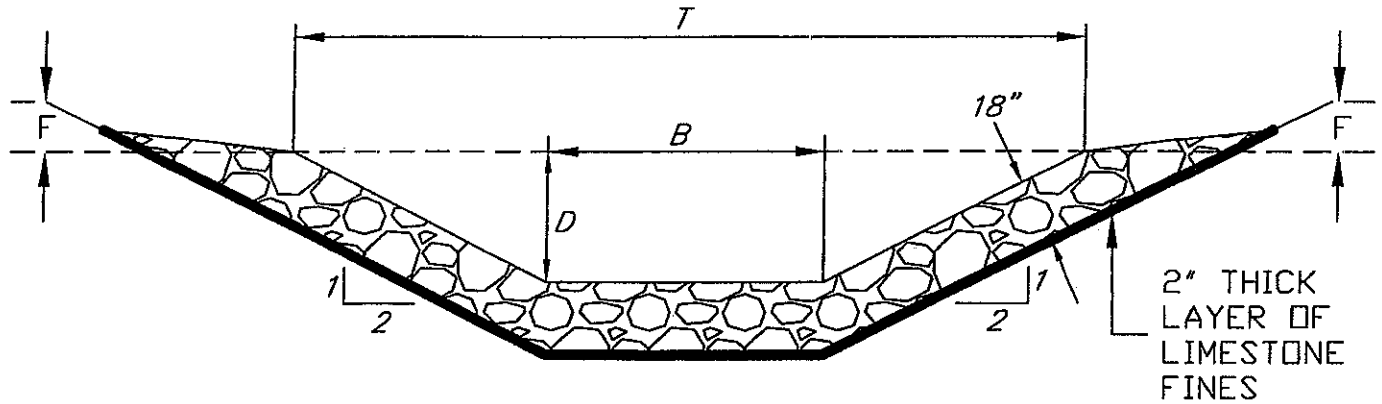


Note:

1. THE ROAD SURFACES INDICATED SHALL BE THREE (3) INCH CRUSHER RUN LIMESTONE SIX (6) INCHES DEEP.
2. THE THREE (3) INCH CRUSHER RUN LIMESTONE GRADATION IS TO BE AN EVEN BLEND OF ALL PARTICLE SIZES.
3. ROAD RUNNING SURFACE WIDTH IS TO BE TWELVE (12) FEET.
4. THE SUBGRADE BASE AND THE THREE (3) INCH CRUSHER RUN LIMESTONE ARE TO BE COMPACTED TO NINETY-FIVE PERCENT (95%) STANDARD PROCTOR WITH A SMOOTH DRUM VIBRATORY ROLLER
5. THE ROAD STABILIZATION FABRIC IS TO BE OF THE WOVEN TYPE.

SPECIAL RECLAMATION	
ACCESS ROAD CONSTRUCTION 12 FOOT RUNNING WIDTH	
SCALE: Not To Scale	DRAWN BY:
DATE:	PROJECT NO.:

WV-36 STATE OF WEST VIRGINIA
 REV. 1/29/02 PURCHASING CONTINUATION SHEET
 VENDOR:



CHANNEL NUMBER	DEPTH (Ft.)	BOTTOM WIDTH (Ft.)	TOP WIDTH (Ft.)	LENGTH (Ft.)	FREE BOARD (Ft.)	LINING
	D	B	T		F	
DITCH 1	1	4	8	220	1	LIMESTONE RIP-RAP WITH FINES

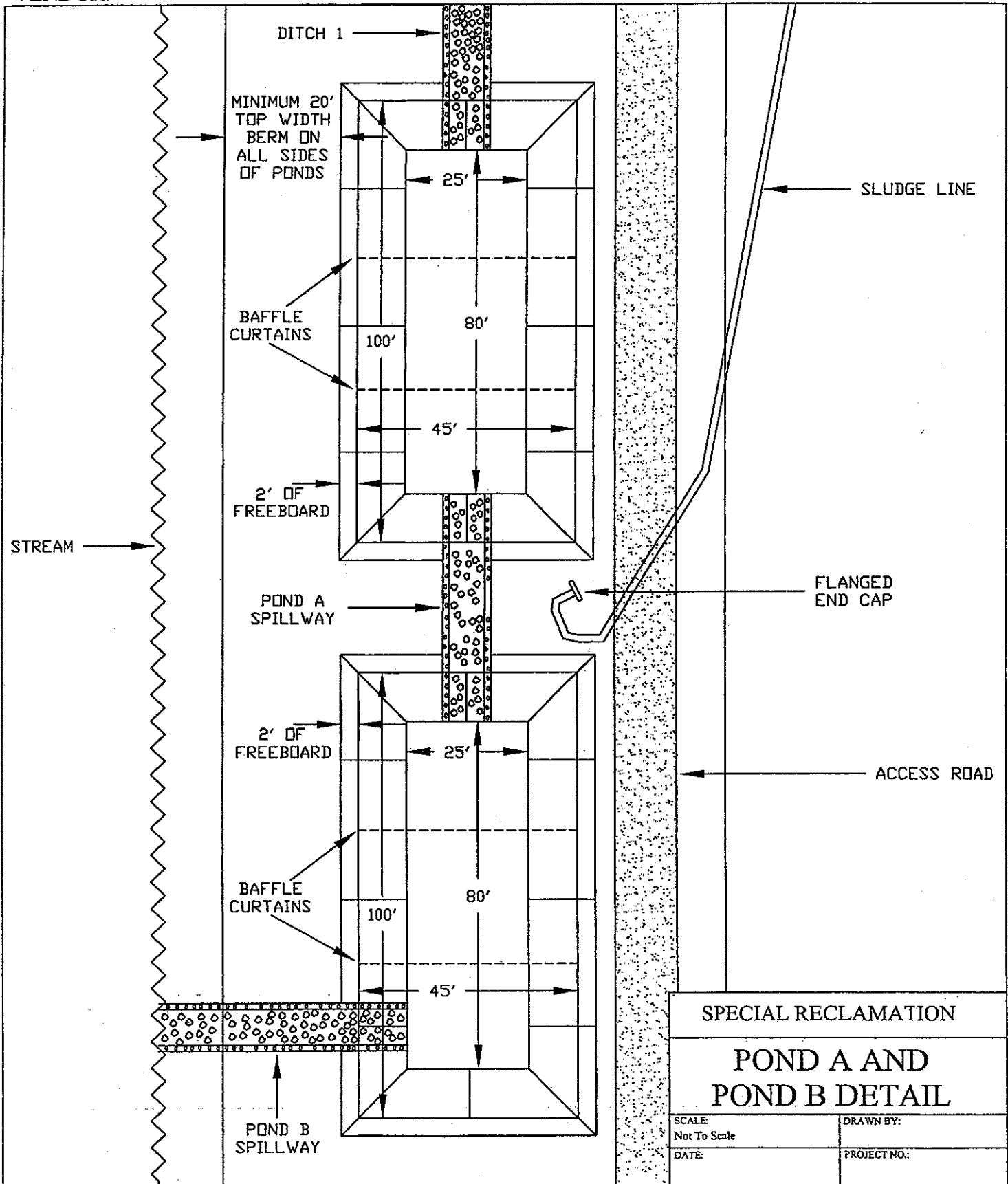
NOTE: LIMESTONE FINES SHALL BE 3/4 X 0 GRADATION OF 96% CALCIUM CARBONATE EQUIVALENT AND SHALL BE PLACED IN A 2 INCH THICK LAYER BENEATH THE RIP-RAP AND TO FILL 100% OF THE VOID AREA WITHIN THE RIP-RAP.

SPECIAL RECLAMATION	
DITCH 1 DETAIL	
SCALE: Not To Scale	DRAWN BY:
DATE:	PROJECT NO.:

BUYER CB-23	PAGE 054	REQ or P.O. No. DEP14244
SPENDING UNIT WEST VIRGINIA DEPARTMENT OF ENVIRONMENTAL PROTECTION/ SPECIAL RECLAMATION		

WV-36
REV. 1/29/02
VENDOR:

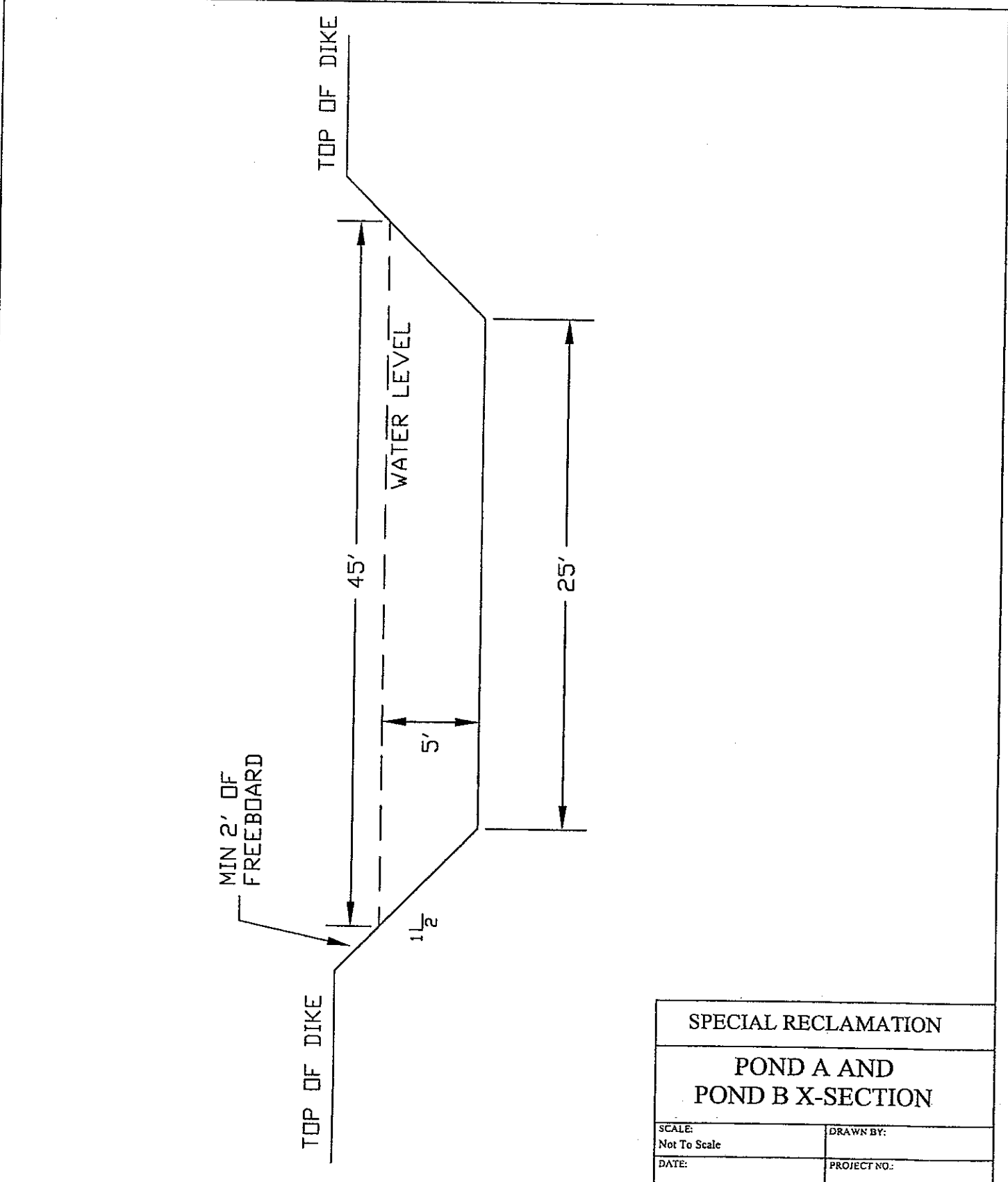
STATE OF WEST VIRGINIA
PURCHASING CONTINUATION SHEET



BUYER CB-23	PAGE 055	REQ. or P.O. No. DEP14244
SPENDING UNIT WEST VIRGINIA DEPARTMENT OF ENVIRONMENTAL PROTECTION/ SPECIAL RECLAMATION		

WV-36
REV. 1/29/02
VENDOR:

STATE OF WEST VIRGINIA
PURCHASING CONTINUATION SHEET

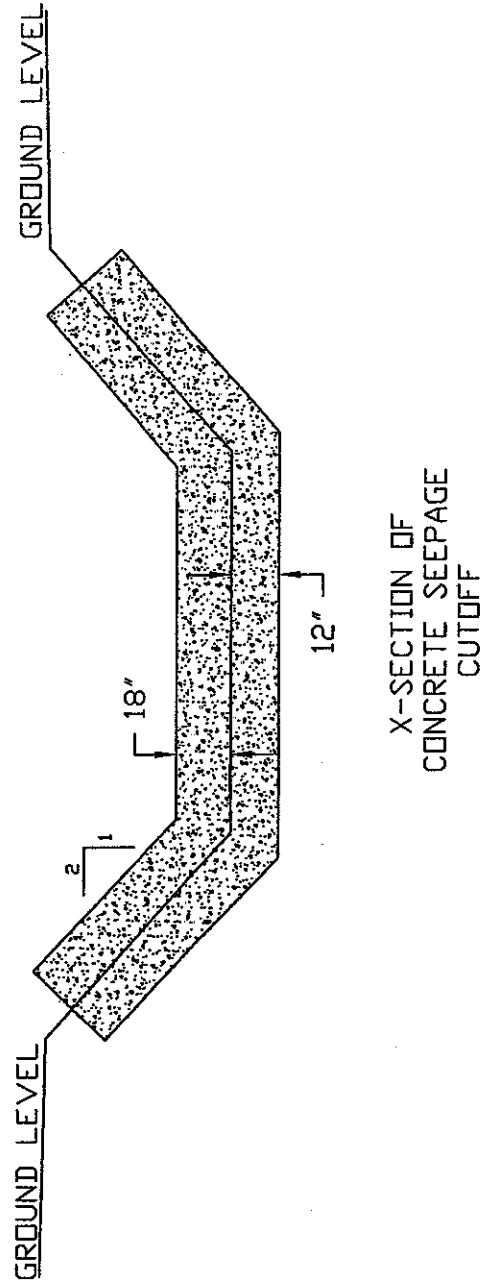
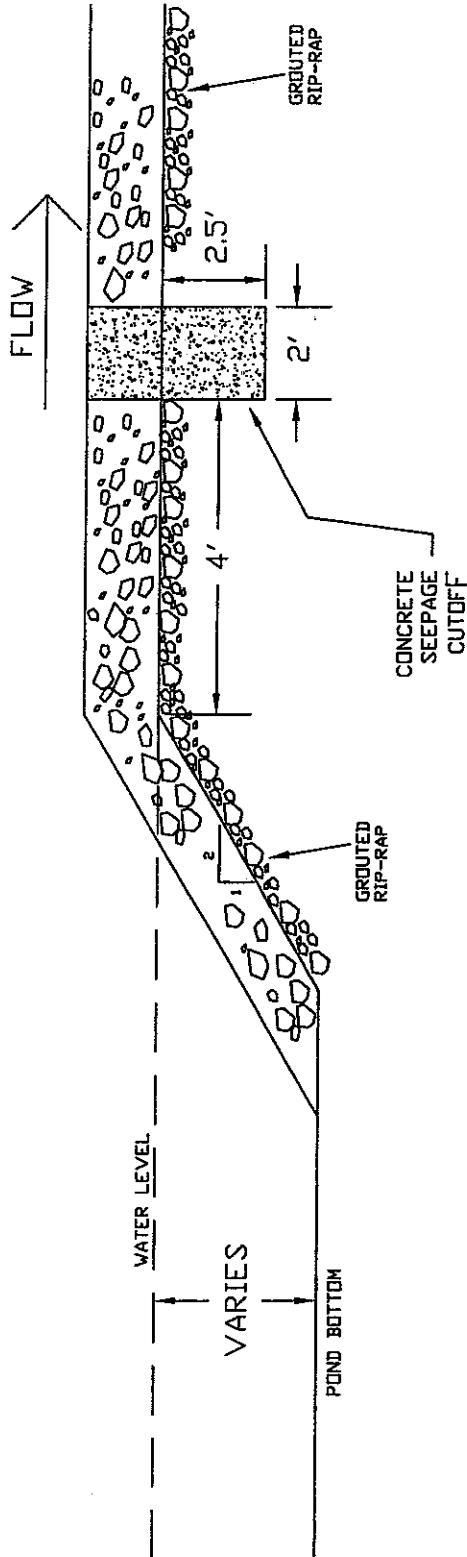


SPECIAL RECLAMATION	
POND A AND POND B X-SECTION	
SCALE: Not To Scale	DRAWN BY:
DATE:	PROJECT NO.:

BUYER CB-23	PAGE 56	REQ or P.O No. DEP14244
SPENDING UNIT WEST VIRGINIA DEPARTMENT OF ENVIRONMENTAL PROTECTION/ SPECIAL RECLAMATION		

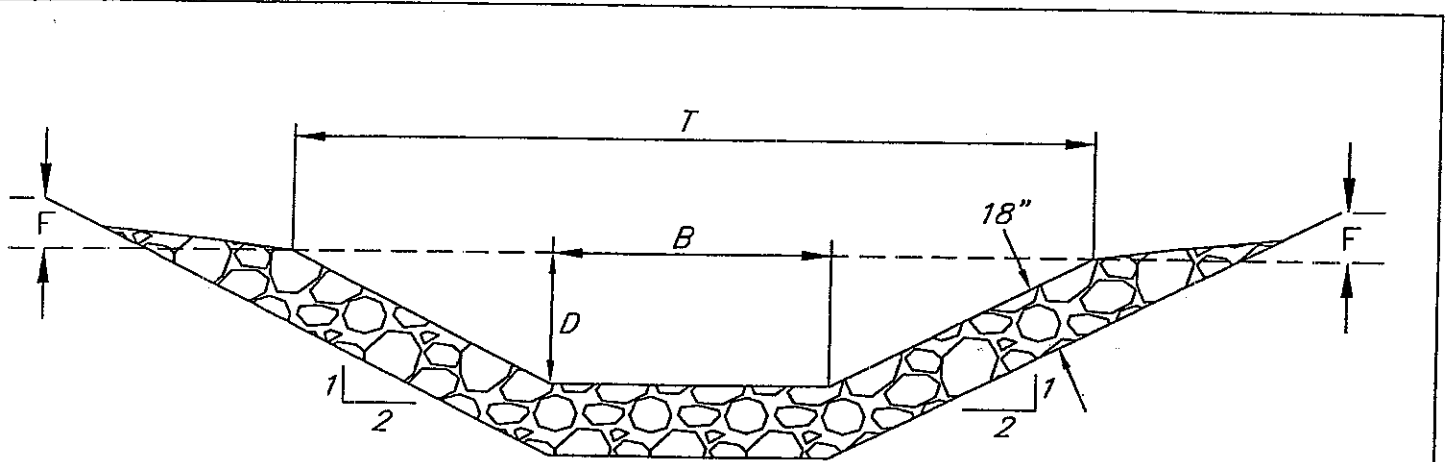
WV-36
REV. 1/29/02
VENDOR:

STATE OF WEST VIRGINIA
PURCHASING CONTINUATION SHEET



SPECIAL RECLAMATION	
SPILLWAY CONCRETE SEEPAGE CUTOFF TYPICAL	
SCALE: Not To Scale	DRAWN BY:
DATE:	PROJECT NO.:

WV-36 STATE OF WEST VIRGINIA
 REV. 1/29/02 PURCHASING CONTINUATION SHEET
 VENDOR:

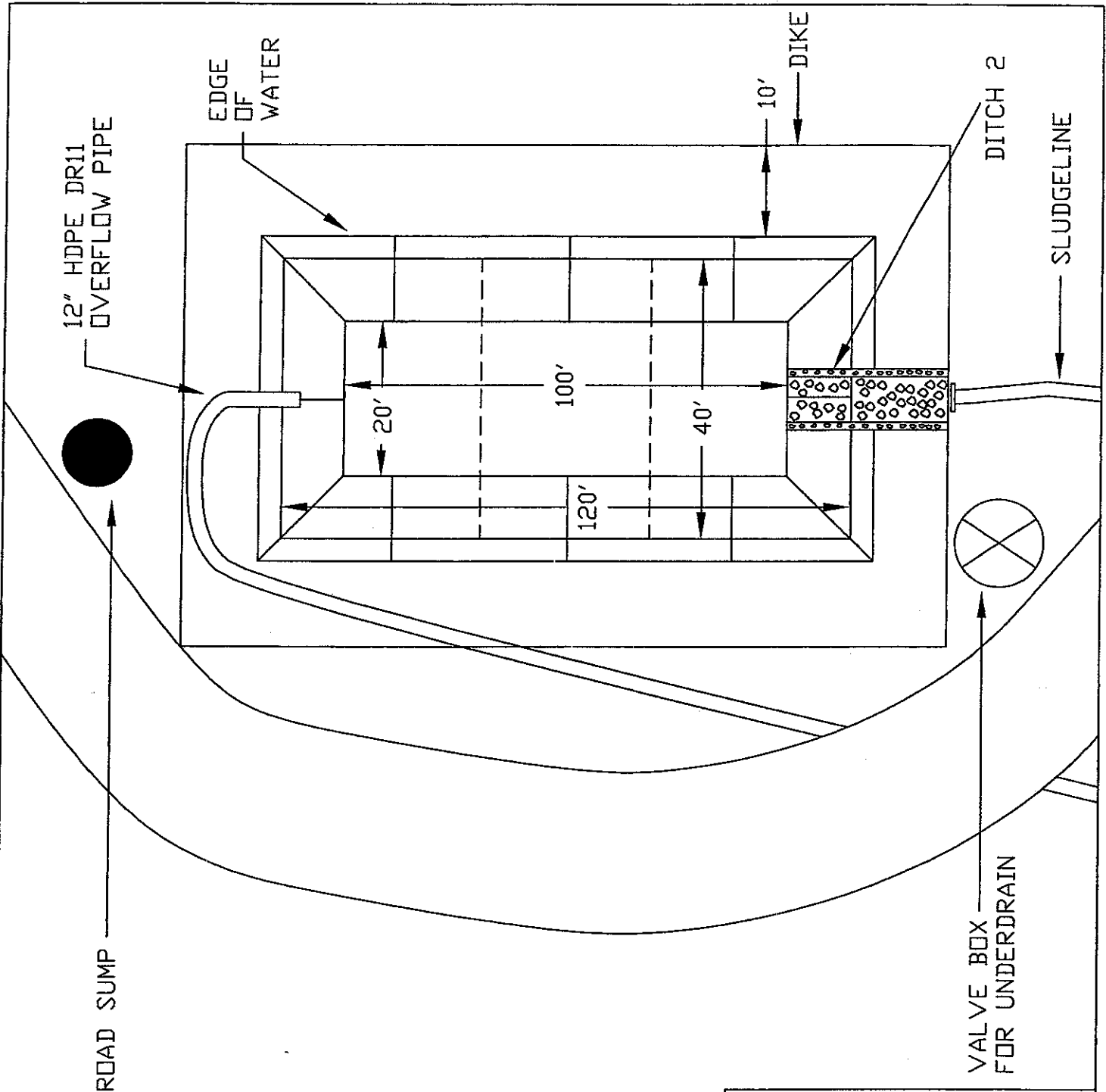


CHANNEL NUMBER	DEPTH (Ft.)	BOTTOM WIDTH (Ft.)	TOP WIDTH (Ft.)	LENGTH (Ft.)	FREE BOARD (Ft.)	LINING
	D	B	T		F	
POND A SPILLWAY	1	4	8	40	1	GROUTED LIMESTONE RIP RAP
POND B SPILLWAY	1	4	8	70	1	GROUTED LIMESTONE RIP RAP
DITCH 2	1	2	6	20	0	RIP-RAP

SPECIAL RECLAMATION	
SPILLWAY DETAIL	
SCALE: Not To Scale	DRAWN BY:
DATE:	PROJECT NO.:

WV-36
REV. 1/29/02
VENDOR:

STATE OF WEST VIRGINIA
PURCHASING CONTINUATION SHEET

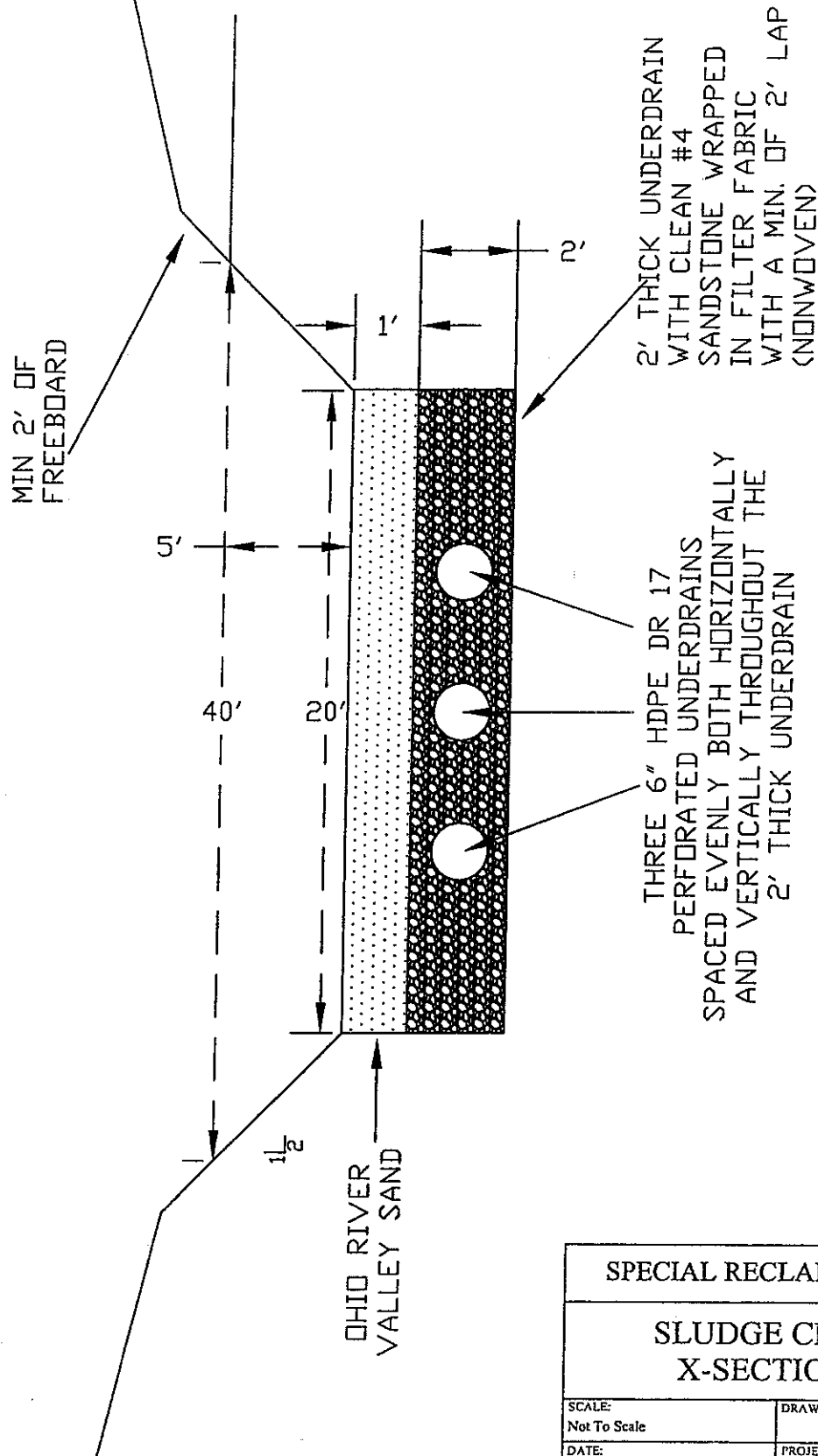


SPECIAL RECLAMATION	
SLUDGE CELL DETAIL	
SCALE: Not To Scale	DRAWN BY:
DATE:	PROJECT NO.:

WV-36
 REV. 1/29/02
 VENDOR:

STATE OF WEST VIRGINIA
 PURCHASING CONTINUATION SHEET

BUYER CB-23	PAGE 059	REQ or P.O. No. DEP14244
SPENDING UNIT WEST VIRGINIA DEPARTMENT OF ENVIRONMENTAL PROTECTION/ SPECIAL RECLAMATION		



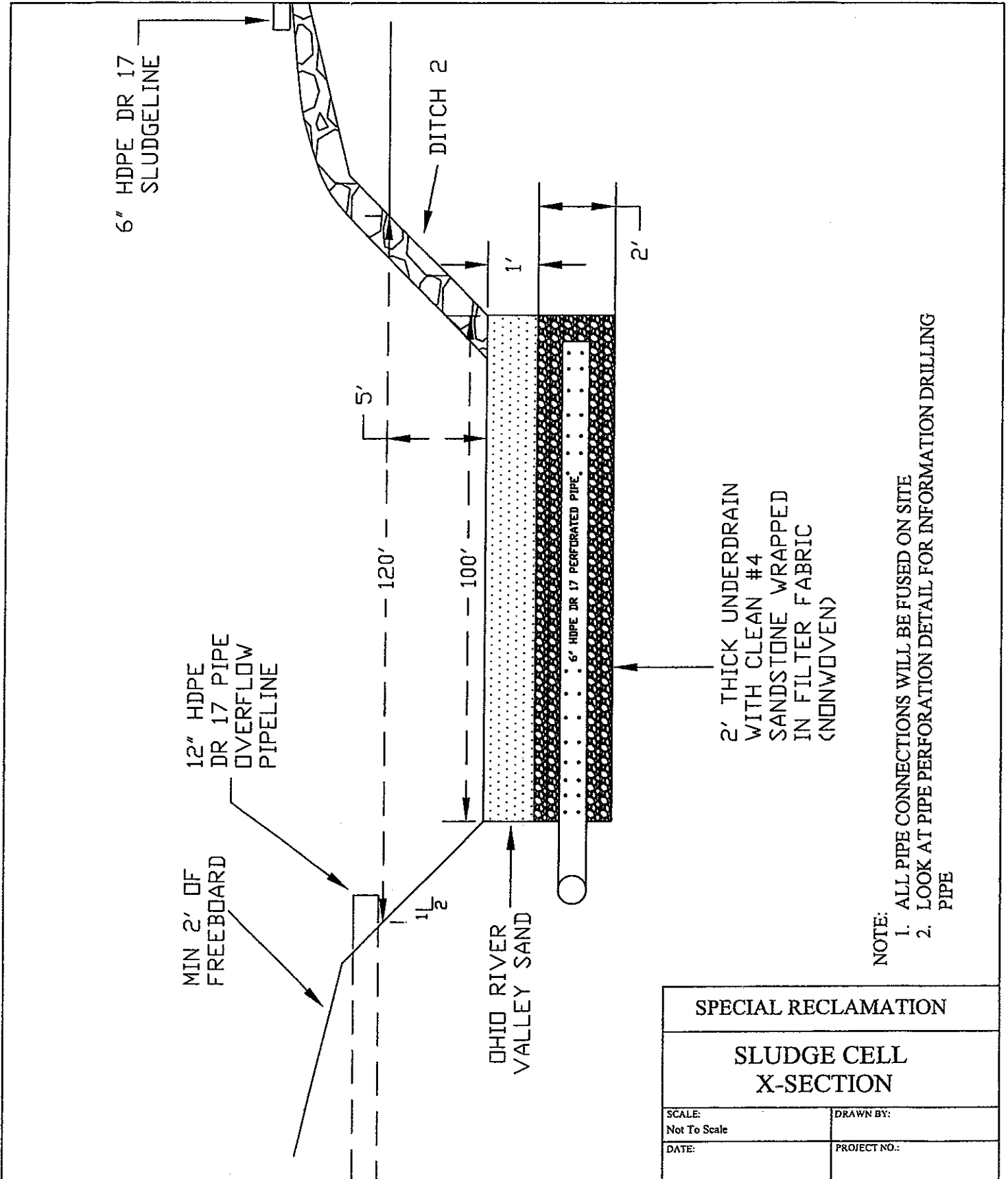
- NOTE:
1. ALL PIPE CONNECTIONS WILL BE FUSED ON SITE
 2. LOOK AT PIPE PERFORATION DETAIL FOR INFORMATION ON DRILLING PIPE

SPECIAL RECLAMATION	
SLUDGE CELL X-SECTION	
SCALE: Not To Scale	DRAWN BY:
DATE:	PROJECT NO.:

BUYER CB-23	PAGE 60	REQ. or P.O. No. DEP14244
SPENDING UNIT WEST VIRGINIA DEPARTMENT OF ENVIRONMENTAL PROTECTION/ SPECIAL RECLAMATION		

WV-36
REV. 1/29/02
VENDOR:

STATE OF WEST VIRGINIA
PURCHASING CONTINUATION SHEET

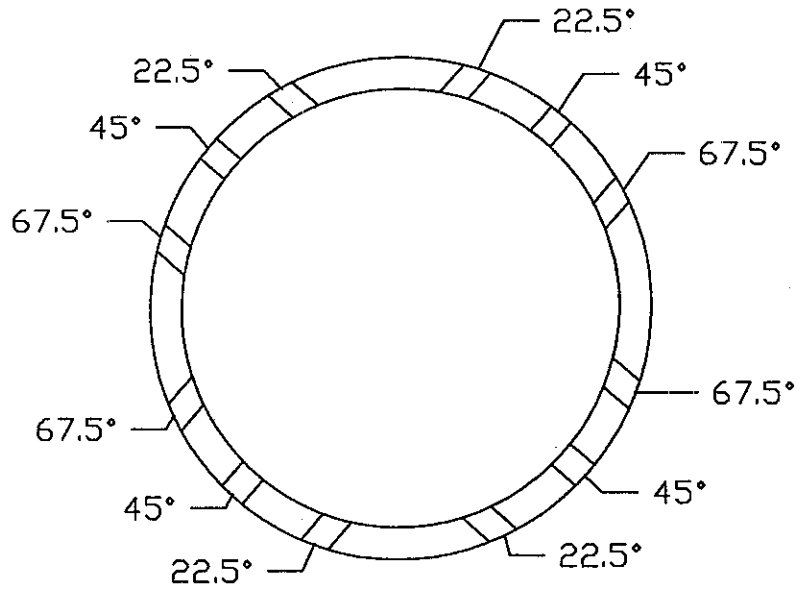


SPECIAL RECLAMATION	
SLUDGE CELL X-SECTION	
SCALE: Not To Scale	DRAWN BY:
DATE:	PROJECT NO.:

BUYER CB-23	PAGE 064	REQ or P.O. No. DEP14244
SPENDING UNIT WEST VIRGINIA DEPARTMENT OF ENVIRONMENTAL PROTECTION/ SPECIAL RECLAMATION		

WV-36 STATE OF WEST VIRGINIA
 REV. 1/29/02 PURCHASING CONTINUATION SHEET
 VENDOR:

DIAMETER OF DRILL HOLES WILL BE 3/8" AND SPACED 6" APART ALONG THE LENGTH OF THE PIPE. REFER TO THE DETAIL BELOW FOR THE HOLE SPACING ALONG THE CIRCUMFERENCE OF THE PIPE.

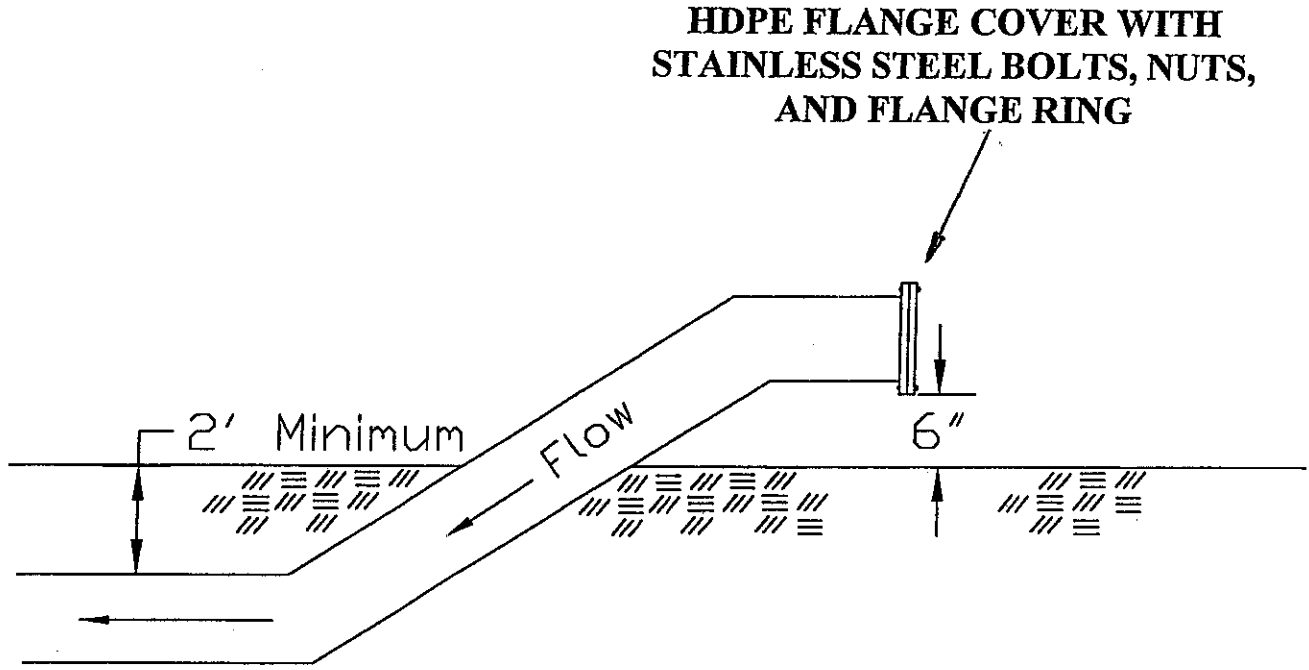


**FOR USE WITH 6"
 OR 12" DIAMETER
 PIPE**

SPECIAL RECLAMATION	
PIPE PERFORATION DETAIL	
SCALE: Not To Scale	DRAWN BY:
DATE:	PROJECT NO.:

BUYER CB-23	PAGE 62	REQ. or P.O. No. DEP14244
SPENDING UNIT WEST VIRGINIA DEPARTMENT OF ENVIRONMENTAL PROTECTION/ SPECIAL RECLAMATION		

WV-36 STATE OF WEST VIRGINIA
 REV. 1/29/02 PURCHASING CONTINUATION SHEET
 VENDOR:



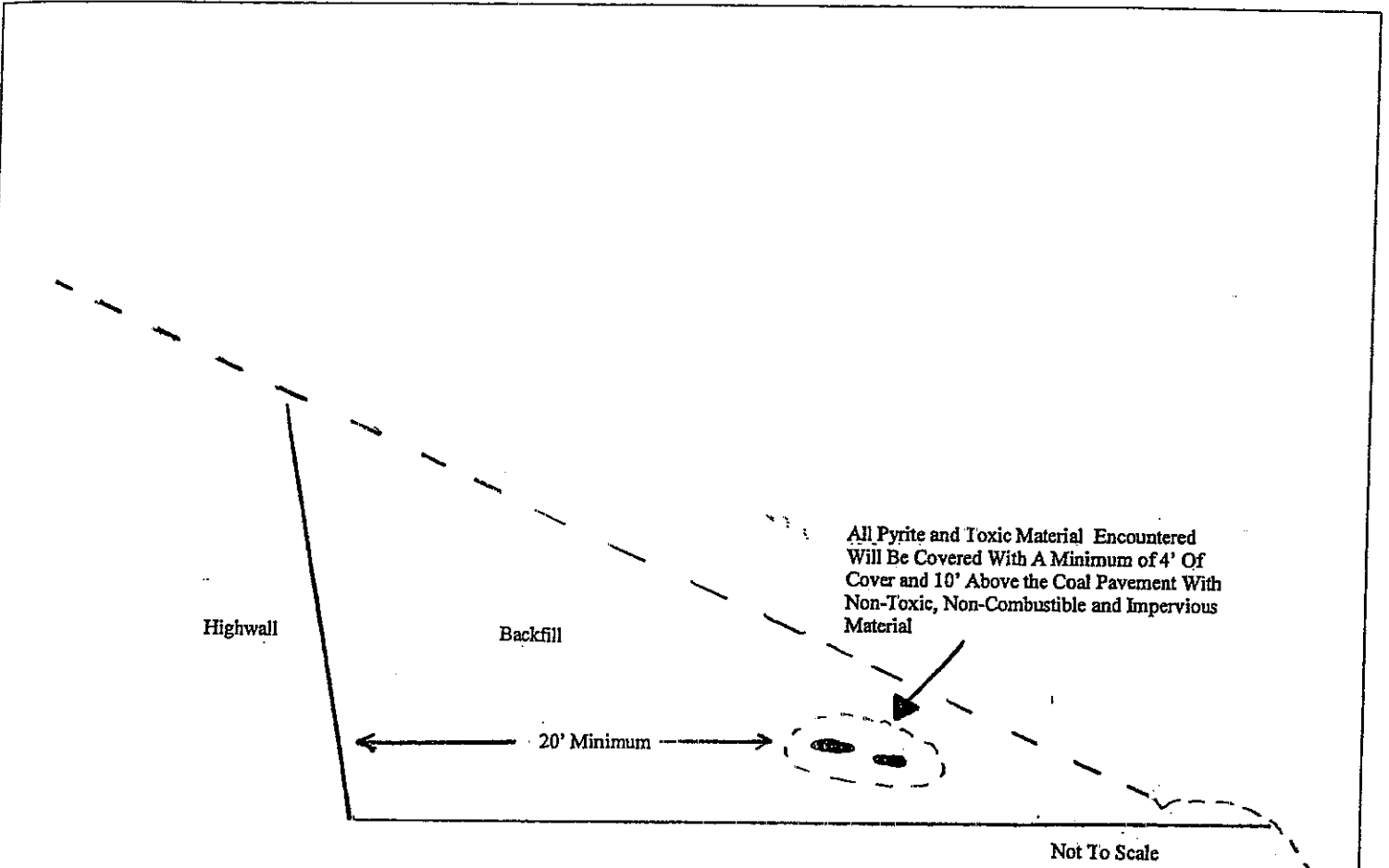
**6" HDPE DR17 SLUDGE
PUMPING LINE WITH
FLANGED END AND COVER**

SPECIAL RECLAMATION	
FLANGED END DETAILS	
SCALE: Not To Scale	DRAWN BY:
DATE:	PROJECT NO.:

BUYER CB-23	PAGE 63	REQ. OR PO NO. DEP14244
SPENDING UNIT WEST VIRGINIA DEPARTMENT OF ENVIRONMENTAL PROTECTION/SPECIAL RECLAMATION		

WV-36
REV. 1/29/02
VENDOR:

STATE OF WEST VIRGINIA
PURCHASING CONTINUATION SHEET



TYPICAL REGRADED X-SECTION/
MATERIAL HANDLING

DISPOSAL OF ACID FORMING AND TOXIC FORMING MATERIALS

SPECIAL RECLAMATION	
GREEN MOUNTAIN ENERGY, INC. U-4013-91	
SCALE: Not To Scale	DRAWN BY:
DATE:	PROJECT NO.:

SPENDING UNIT

WEST VIRGINIA DEPARTMENT OF ENVIRONMENTAL
PROTECTION/SPECIAL RECLAMATION

VENDOR:

ANCHORING DETAIL

WIRE OR NYLON BOUND BALES PLACED ON THE CONTOUR

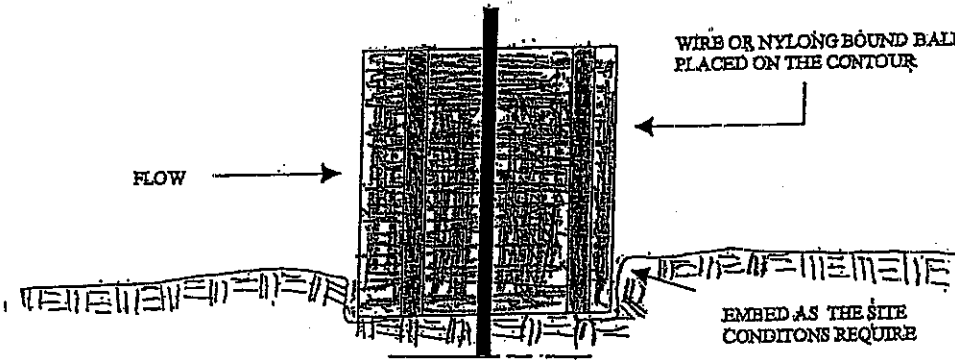
ANGLE FIRST STAKE TOWARD
PREVIOUSLY LAID BAIL



2 - 2 INCH X 2 INCH STAKES, 1 1/2 FEET TO 2 FEET IN THE GROUND

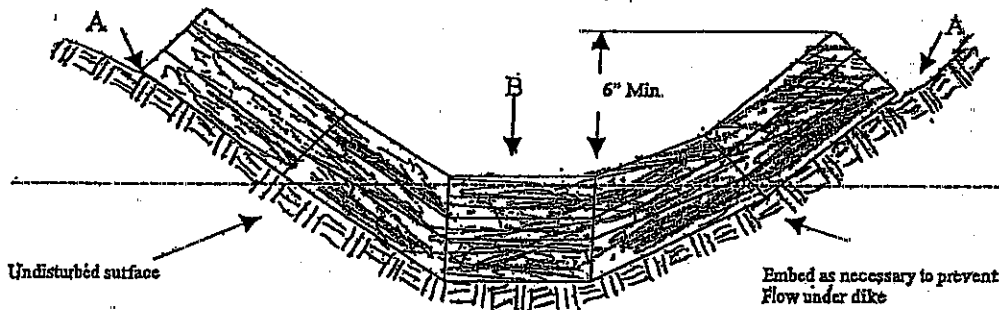
WIRE OR NYLON BOUND BALE
PLACED ON THE CONTOUR

FLOW →



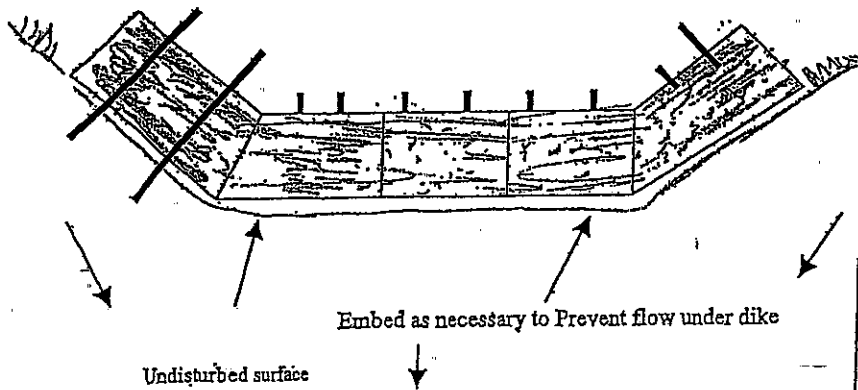
EMBED AS THE SITE
CONDITIONS REQUIRE

EMBEDDING DETAIL



SEDIMENT BARRIER

POINTS A SHOULD BE HIGHER THAN POINT B A MINIMUM OF 6 INCHES



OFFICE OF SPECIAL RECLAMATION

Hay Bale Dike

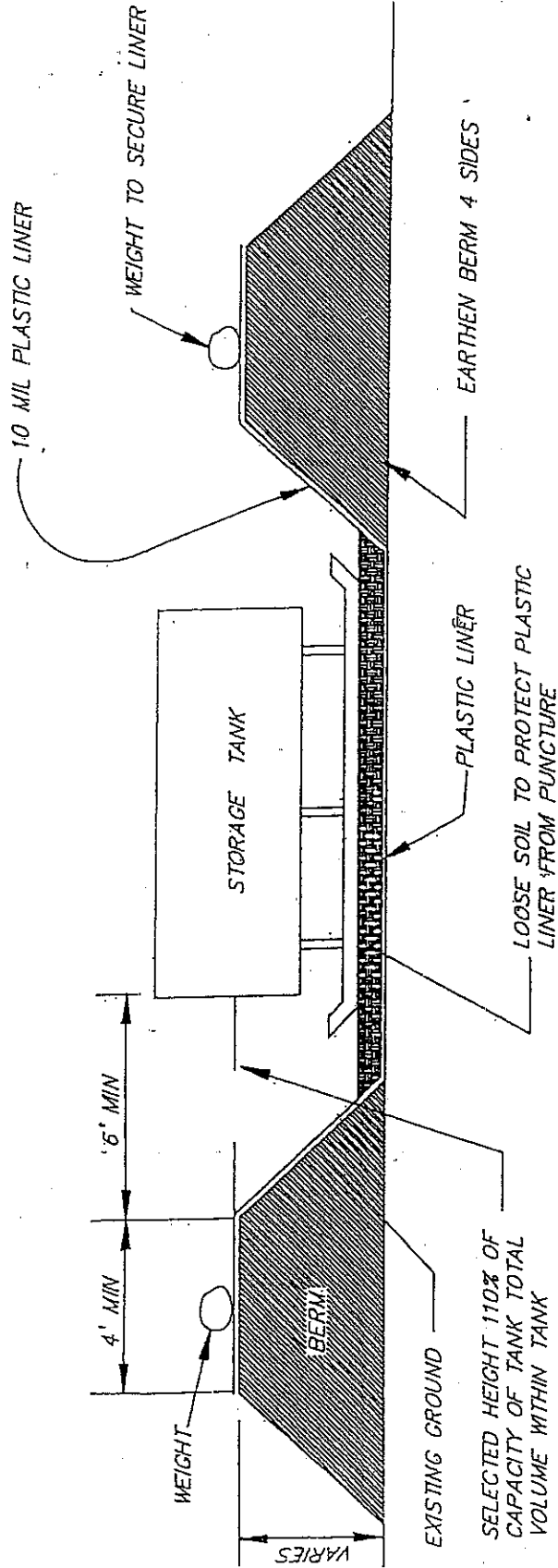
SCALE

DRAWN BY:

DATE:

PROJECT NO:

BUYER CB-23	PAGE 65	REQ. OR PO NO. DEP14244
SPENDING UNIT WEST VIRGINIA DEPARTMENT OF ENVIRONMENTAL PROTECTION/OFFICE OF SPECIAL RECLAMATION		



Note: A 2" water removal drain shall be located at the lowest point in the bottom of the containment volume. It shall connect to a normally closed gate valve outside the dike. The gate valve is manually operated and protected from unauthorized operation. Rainwater contained within this dike shall be examined prior to release to ensure that harmful quantities of fuels and lubricants are not discharged.

Alternate methods of water removal will be considered for approval.

OFFICE OF SPECIAL RECLAMATION	
Spill Containment	
NTS	DRAWN BY:
DATE:	PROJECT NO:

BUYER	PAGE	REQ OR PO NO
CB-23	166	DEP 14244
SPENDING UNIT		
WEST VIRGINIA DEPARTMENT OF ENVIRONMENTAL PROTECTION/OFFICE OF SPECIAL RECLAMATION		

General Requirements

Project Construction Sign

Work Required

The work to be performed under this Section consists of providing all labor, material and equipment necessary to install a project sign as indicated on the detail included herein and as specified herein.

Materials

- (a) Paint. Paint for the project sign shall be one (1) coat Exterior-Grade Wood Primer-Sealer, and two (2) coats Exterior-Grade Enamel by Glidden or equivalent.
- (b) Wood. Sign face shall be 3/4" X 4' X 8' Marine Exterior plywood, and posts and cross braces shall be treated.
- (c) Hardware. All hardware shall be manufactured from good, commercial-quality material and be rust resistant such as galvanized coated.

Execution

(a) Project Sign. The signboard shall be cut to the dimensions shown on the details herein. The sign shall be painted with one (1) coat of primer and two (2) coats of white enamel. All exterior cut edges shall be smooth sanded prior to painting. All edges shall be double primed. The letters, border and strips shall be painted as shown on the detail drawing.

The Contractor shall bolt the sign to posts and provide required cross bracing. The posts and sign shall be erected and posts set in gravel base, as shown on the drawings. One (1) sign is required and is to be located at the direction of WVDEP.


(b) Payment. Payment for the work which shall include installation of the project sign shall be incidental to the lump sum bid item for "Mobilization/Demobilization"

Note: No construction work shall commence prior to the project sign being installed.

OFFICE OF SPECIAL RECLAMATION	
PROJECT CONSTRUCTION SIGN	
SCALE:	DRAWN BY:
DATE:	PROJECT NO:

WV-36a STATE OF WEST VIRGINIA
REV. 1/29/02 PURCHASING CONTINUATION SHEET
VENDOR:

BUYER CB-23	PAGE 067	REQ. OR PO NO. DEP14244
SPENDING UNIT WEST VIRGINIA DEPARTMENT OF ENVIRONMENTAL PROTECTION/OFFICE OF SPECIAL RECLAMATION		




STATE OF WEST VIRGINIA
DEPARTMENT OF ENVIRONMENTAL PROTECTION

Division of Land Restoration
Office of Special Reclamation

Project Cost: \$XXX.XXX.00
Funding provided by the Special Reclamation Coal Tax paid by WV Coal Mine Companies

Joe Manchin, III,
Governor


Stephanie Timmermeyer,
Cabinet Secretary

DLR
Ken Ellison,
Director

Permit Name
Permit Number

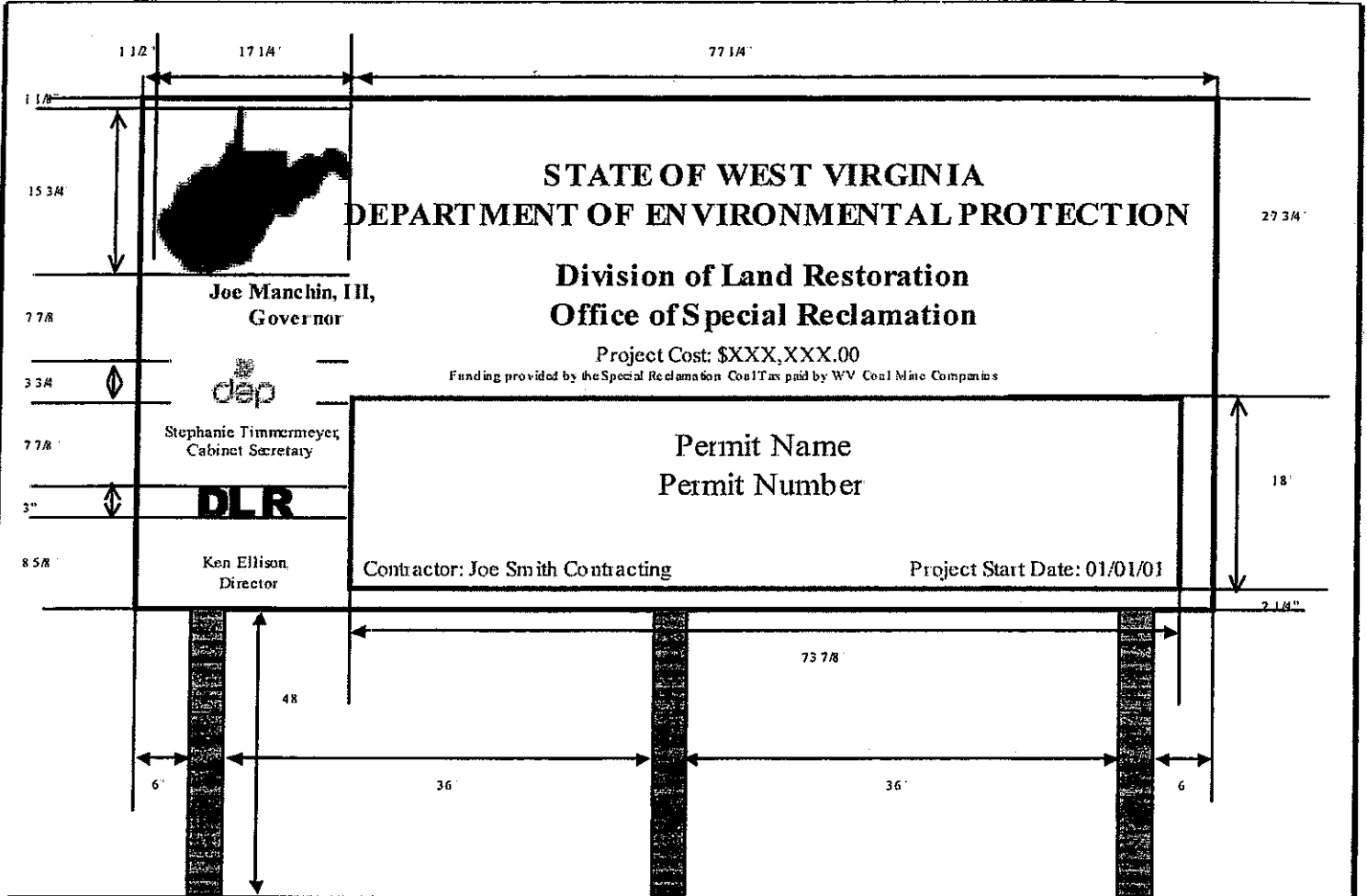
Contractor: Joe Smith Contracting

Project Start Date: 01/01/01

OFFICE OF SPECIAL RECLAMATION	
PROJECT CONSTRUCTION SIGN	
SCALE:	DRAWN BY:
DATE:	PROJECT NO:

WV-36a STATE OF WEST VIRGINIA
 REV. 1/29/02 PURCHASING CONTINUATION SHEET
 VENDOR:

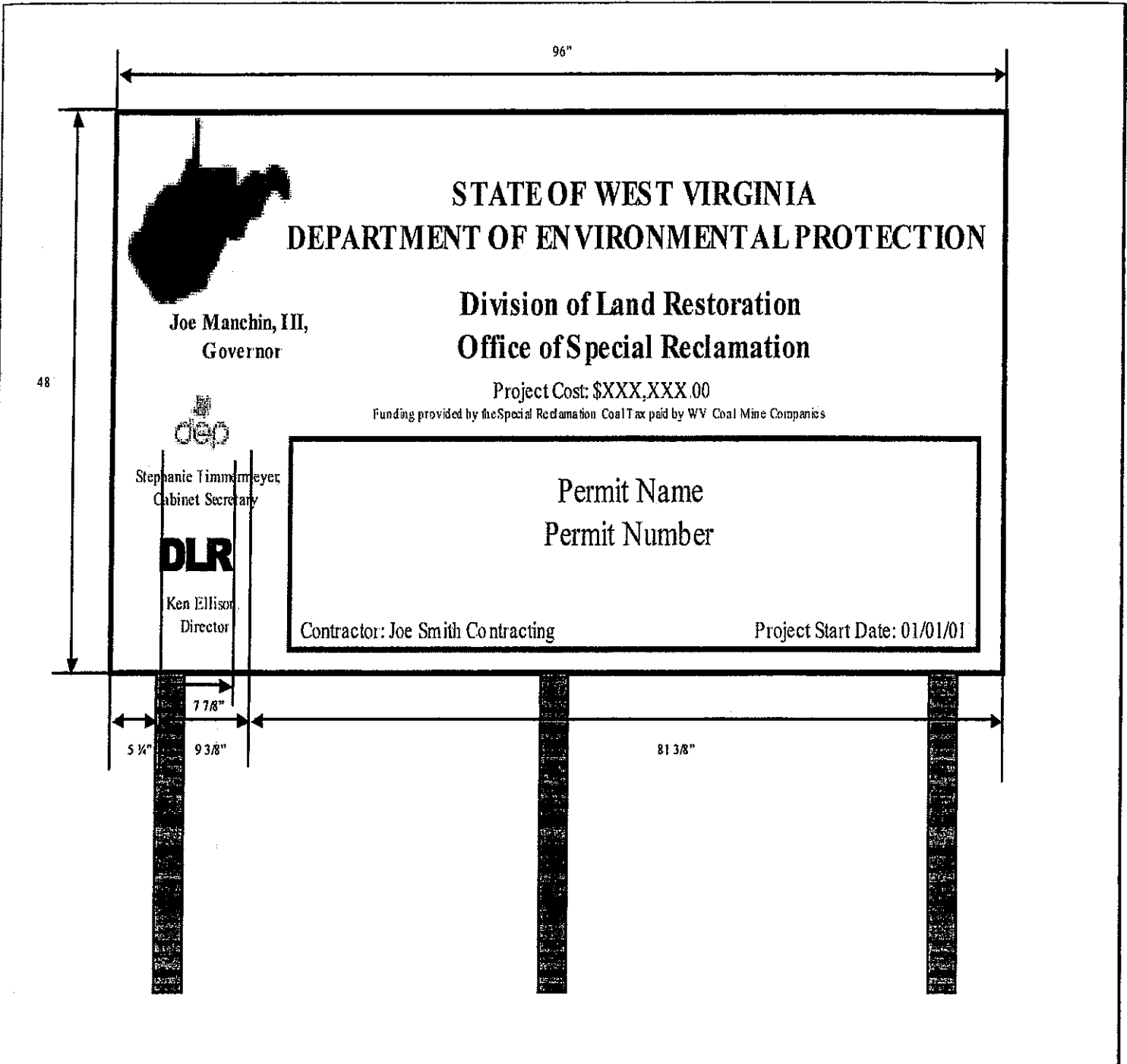
BUYER CB-23	PAGE 108	REQ. OR PO NO. DEP 14244
SPENDING UNIT WEST VIRGINIA DEPARTMENT OF ENVIRONMENTAL PROTECTION/OFFICE OF SPECIAL RECLAMAION		



OFFICE OF SPECIAL RECLAMATION	
PROJECT CONSTRUCTION SIGN	
SCALE:	DRAWN BY:
DATE:	PROJECT NO.:

WV-36a STATE OF WEST VIRGINIA
 REV. 1/29/02 PURCHASING CONTINUATION SHEET
 VENDOR:

BUYER	PAGE	REQ OR PO NO.
CB-23	069	DEP 14244
SPENDING UNIT		
WEST VIRGINIA DEPARTMENT OF ENVIRONMENTAL PROTECTION/OFFICE OF SPECIAL RECLAMATION		



OFFICE OF SPECIAL RECLAMATION	
PROJECT CONSTRUCTION SIGN	
SCALE:	DRAWN BY:
DATE:	PROJECT NO.:

WV-36a STATE OF WEST VIRGINIA
 REV. 1/29/02 PURCHASING CONTINUATION SHEET
 VENDOR:

BUYER CB-23	PAGE 070	REQ. OR PO NO. DEP14244
SPENDING UNIT WEST VIRGINIA DEPARTMENT OF ENVIRONMENTAL PROTECTION/OFFICE OF SPECIAL RECLAMATION		

17 1/2"	6"	STATE OF WEST VIRGINIA	2 1/4"
		DEPARTMENT OF ENVIRONMENTAL PROTECTION	1 1/2"
		Division of Land Restoration	3 3/4"
		Office of Special Reclamation	2 1/4"
1 1/4"		Project Cost: \$XXX,XXX.00	3 3/4"
1 1/4"		Funding provided by the Special Reclamation Coal Tax paid by WV Coal Mine Companies	1 1/4"
9 1/4"		Permit Name	4 7/8"
1"		Permit Number	2 1/4"
1"		Contractor: Joe Smith Contracting	4 7/8"
8"		Project Start Date: 01/01/01	1 1/4"
1"			3 3/4"
1"			
3 1/4"			



Joe Manchin, III,
 Governor



Stephanie Timpano Meyer,
 Cabinet Secretary

DLR

Ken Ellison,
 Director

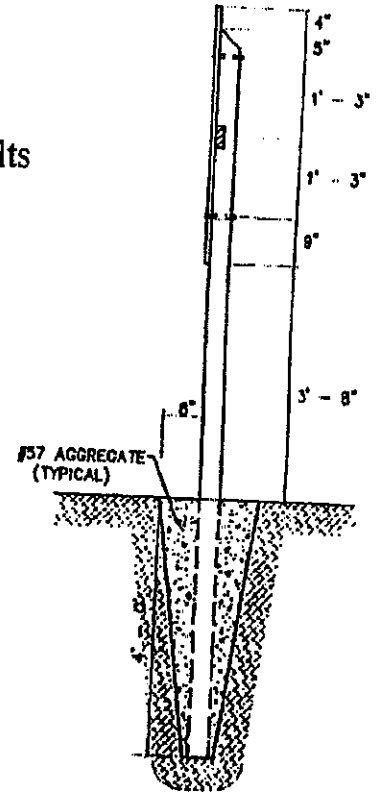
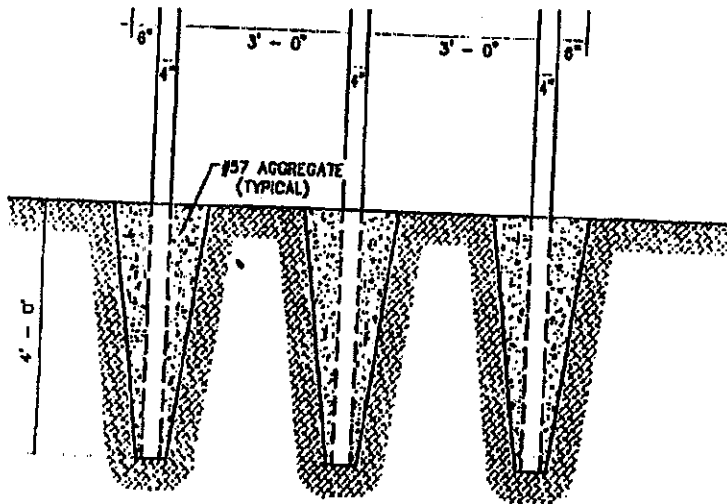
OFFICE OF SPECIAL RECLAMATION	
PROJECT CONSTRUCTION SIGN	
SCALE:	DRAWN BY:
DATE:	PROJECT NO:

WV-36a STATE OF WEST VIRGINIA
 REV. 1/29/02 PURCHASING CONTINUATION SHEET
 VENDOR:

BUYER CB-23	PAGE 171	REQ. OR PO NO. DEP14244
SPENDING UNIT WEST VIRGINIA DEPARTMENT OF ENVIRONMENTAL PROTECTION/OFFICE OF SPECIAL RECLAMATION		

Notes:

1. Sign Board to be 3/4" by 4' X 8' Marine Plywood
2. Sign Board Color is to be White and Letter Colors are to be Dark Green
3. 2" X 4" Treated Cross Brace Let into Posts
4. Mount sign to Posts using 3/8" X 5" Galvanized Carriage Bolts
5. Posts are to be Treated 4" X 4" X 12'
6. Location determined WVDEP



OFFICE OF SPECIAL RECLAMATION	
PROJECT SIGN	
SCALE:	DRAWN BY:
DATE:	PROJECT NO:

Agency _____
REQ P O# _____

BID BOND

KNOW ALL MEN BY THESE PRESENTS, That we, the undersigned, _____
of _____, _____, as Principal, and _____
of _____, _____, a corporation organized and existing under the laws of the State of _____
with its principal office in the City of _____, as Surety, are held and firmly bound unto the State
of West Virginia, as Obligee, in the penal sum of _____ (\$ _____) for the payment of which,
well and truly to be made, we jointly and severally bind ourselves, our heirs, administrators, executors, successors and assigns

The Condition of the above obligation is such that whereas the Principal has submitted to the Purchasing Section of the
Department of Administration a certain bid or proposal, attached hereto and made a part hereof, to enter into a contract in writing for

NOW THEREFORE,

- (a) If said bid shall be rejected, or
- (b) If said bid shall be accepted and the Principal shall enter into a contract in accordance with the bid or proposal attached
hereto and shall furnish any other bonds and insurance required by the bid or proposal, and shall in all other respects perform the
agreement created by the acceptance of said bid, then this obligation shall be null and void, otherwise this obligation shall remain in full
force and effect. It is expressly understood and agreed that the liability of the Surety for any and all claims hereunder shall, in no event,
exceed the penal amount of this obligation as herein stated.

The Surety, for the value received, hereby stipulates and agrees that the obligations of said Surety and its bond shall be in no
way impaired or affected by any extension of the time within which the Obligee may accept such bid, and said Surety does hereby
waive notice of any such extension.

IN WITNESS WHEREOF, Principal and Surety have hereunto set their hands and seals, and such of them as are corporations
have caused their corporate seals to be affixed hereunto and these presents to be signed by their proper officers, this
_____ day of _____, 20_____

Principal Corporate Seal

(Name of Principal)

By _____
(Must be President or
Vice President)

(Title)

Surety Corporate Seal

(Name of Surety)

Attorney-in-Fact

**IMPORTANT - Surety executing bonds must be licensed in West Virginia to transact surety insurance. Raised corporate seals
must be affixed, a power of attorney must be attached.**

STATE OF WEST VIRGINIA
Purchasing Division

PURCHASING AFFIDAVIT

West Virginia Code §5A-3-10a states: No contract or renewal of any contract may be awarded by the state or any of its political subdivisions to any vendor or prospective vendor when the vendor or prospective vendor or a related party to the vendor or prospective vendor is a debtor and the debt owed is an amount greater than one thousand dollars in the aggregate

DEFINITIONS:

“Debt” means any assessment, premium, penalty, fine, tax or other amount of money owed to the state or any of its political subdivisions because of a judgment, fine, permit violation, license assessment, defaulted workers’ compensation premium, penalty or other assessment presently delinquent or due and required to be paid to the state or any of its political subdivisions, including any interest or additional penalties accrued thereon.

“Debtor” means any individual, corporation, partnership, association, limited liability company or any other form or business association owing a debt to the state or any of its political subdivisions. “Political subdivision” means any county commission; municipality; county board of education; any instrumentality established by a county or municipality; any separate corporation or instrumentality established by one or more counties or municipalities, as permitted by law; or any public body charged by law with the performance of a government function or whose jurisdiction is coextensive with one or more counties or municipalities. “Related party” means a party, whether an individual, corporation, partnership, association, limited liability company or any other form or business association or other entity whatsoever, related to any vendor by blood, marriage, ownership or contract through which the party has a relationship of ownership or other interest with the vendor so that the party will actually or by effect receive or control a portion of the benefit, profit or other consideration from performance of a vendor contract with the party receiving an amount that meets or exceed five percent of the total contract amount.

EXCEPTION: The prohibition of this section does not apply where a vendor has contested any tax administered pursuant to chapter eleven of this code, workers’ compensation premium, permit fee or environmental fee or assessment and the matter has not become final or where the vendor has entered into a payment plan or agreement and the vendor is not in default of any of the provisions of such plan or agreement.

LICENSING: Vendors must be licensed and in good standing in accordance with any and all state and local laws and requirements by any state or local agency of West Virginia, including, but not limited to, the West Virginia Secretary of State’s Office, the West Virginia Tax Department, West Virginia Insurance Commission, or any other state agencies or political subdivision. Furthermore, the vendor must provide all necessary releases to obtain information to enable the Director or spending unit to verify that the vendor is licensed and in good standing with the above entities.

CONFIDENTIALITY: The vendor agrees that he or she will not disclose to anyone, directly or indirectly, any such personally identifiable information or other confidential information gained from the agency, unless the individual who is the subject of the information consents to the disclosure in writing or the disclosure is made pursuant to the agency’s policies, procedures and rules. Vendors should visit www.state.wv.us/admin/purchase/privacy for the Notice of Agency Confidentiality Policies.

Under penalty of law for false swearing (West Virginia Code, §61-5-3), it is hereby certified that the vendor acknowledges the information in this said affidavit and are in compliance with the requirements as stated.

Vendor’s Name: EAGLE EXCAVATION INC.

Authorized Signature: Meike S. Friskow Date: 3-27-08

BID BOND PREPARATION INSTRUCTIONS

073

AGENCY _____ (A)
RFQ/RFP# _____ (B)

Bid Bond

- (A) WV State Agency
(Stated on Page 1 "Spending Unit")
Request for Quotation Number (upper
right corner of page #1)
- (C) Your Company Name
- (D) City, Location of your Company
- (E) State, Location of your Company
- (F) Surety Corporate Name
- (G) City, Location of Surety
- (H) State, Location of Surety
- (I) State of Surety Incorporation
- (J) City of Surety Incorporation
- (K) Minimum amount of acceptable bid
bond is 5% of total bid. You may state
"5% of bid" or a specific amount on
this line in words.
- (L) Amount of bond in figures
- (M) Brief Description of scope of work
- (N) Day of the month
- (O) Month
- (P) Year
- (Q) Name of Corporation
- (R) Raised Corporate Seal of Principal
- (S) Signature of President or Vice
President
- (T) Title of person signing
- (U) Raised Corporate Seal of Surety
- (V) Corporate Name of Surety
- (W) Signature of Attorney in Fact of the
Surety

KNOW ALL MEN BY THESE PRESENTS, That we, the undersigned,
_____(C)_____ of _____(D)_____, _____(E)_____,
as Principal, and _____(F)_____ of _____(G)_____,
_____(H)_____, a corporation organized and existing under the laws
of the State of _____(I)_____ with its principal office in the City of
_____(J)_____, as Surety, are held and firmly bound unto The State
of West Virginia, as Oblige, in the penal sum of _____(K)_____
(\$ _____(L)_____) for the payment of which, well and truly to be made,
we jointly and severally bind ourselves, our heirs, administrators, executors,
successors and assigns.

The Condition of the above obligation is such that whereas the Principal
has submitted to the Purchasing Section of the Department of Administration
a certain bid or proposal, attached hereto and made a part hereof to enter into a
contract in writing for _____(M)_____

NOW THEREFORE.
(a) If said bid shall be rejected, or
(b) If said bid shall be accepted and the Principal shall enter into a
contract in accordance with the bid or proposal attached hereto and shall furnish
any other bonds and insurance required by the bid or proposal, and shall in all
other respects perform the agreement created by the acceptance of said bid then
this obligation shall be null and void, otherwise this obligation shall remain in full
force and effect. It is expressly understood and agreed that the liability of the
Surety for any and all claims hereunder shall, in no event, exceed the penal
amount of this obligation as herein stated

The Surety for value received, hereby stipulates and agrees that the
obligations of said Surety and its bond shall be in no way impaired or affected by
any extension of time within which the Oblige may accept such bid: and said
Surety does hereby waive notice of any such extension.

IN WITNESS WHEREOF, Principal and Surety have hereunto set their
hands and seals, and such of them as are corporations have caused their corporate
seals to be affixed hereto and these presents to be signed by their proper officers,
this _____(N)_____ day of _____(O)_____, 20 _____(P)_____.

Principal Corporate Seal _____(Q)_____
(Name of Principal)
(R) By _____(S)_____
(Must be President or
Vice President)
_____(T)_____
Title

(U)
Surety Corporate Seal _____(V)_____
(Name of Surety)

_____(W)_____
Attorney-in-Fact

IMPORTANT – Surety executing bonds must be licensed in West Virginia to
transact surety insurance. Raised Corporate Seals must be affixed and a Power of
Attorney must be attached.