



State of West Virginia
 Department of Administration
 Purchasing Division
 2019 Washington Street East
 Post Office Box 50130
 Charleston, WV 25305-0130

Request for Quotation

RFQ NUMBER
DEFK8003

PAGE
1

ADDRESS: CORRESPONDENCE TO ATTENTION OF
JOHN ABBOTT
304-558-2544

RFQ COPY
 TYPE NAME/ADDRESS HERE

STATE EQUIP

DIV ENGINEERING & FACILITIES
NATIONAL GUARD ARMORY
240 ARMY ROAD

KINGWOOD, WV
26537 **341-6368**

DATE PRINTED	TERMS OF SALE	SHIP VIA	FOB	FREIGHT TERMS
07/02/2007	Net 30	our freight	Destination	

BID OPENING DATE: **07/18/2007** BID OPENING TIME **01:30PM**

LINE	QUANTITY	UOP	CAT. NO.	ITEM NUMBER	UNIT PRICE	AMOUNT
REQUEST FOR QUOTATION						
THE PURCHASING DIVISION IS SOLICITING BIDS FOR THE WEST VIRGINIA ARMY NATIONAL GUARD, CAMP DAWSON ARMY TRAINING SITE, KINGWOOD, WV, TO PROVIDE A SKID STEER LOADER, WITH 80" COMBINATION BUCKET & STEEL TRACK KIT.						
ATTACHMENTS: 1. SPECIFICATIONS 2. PURCHASING AFFIDAVIT						
0001	1	LS		760-51	<i>Case 465</i> \$44,300	\$44,300
VENDOR PREFERENCE CERTIFICATE						
CERTIFICATION AND APPLICATION* IS HEREBY MADE FOR PREFERENCE IN ACCORDANCE WITH WEST VIRGINIA CODE, 5A-3-37 (DOES NOT APPLY TO CONSTRUCTION CONTRACTS).						
A. APPLICATION IS MADE FOR 2.5% PREFERENCE FOR THE REASON CHECKED:						
() BIDDER IS AN INDIVIDUAL RESIDENT VENDOR AND HAS RESIDED CONTINUOUSLY IN WEST VIRGINIA FOR FOUR (4) YEARS IMMEDIATELY PRECEDING THE DATE OF THIS CERTIFICATION; OR						
<input checked="" type="checkbox"/> BIDDER IS A PARTNERSHIP, ASSOCIATION OR CORPORATION RESIDENT VENDOR AND HAS MAINTAINED ITS HEAD-QUARTERS OR PRINCIPAL PLACE OF BUSINESS CONTINUOUSLY IN WEST VIRGINIA FOR FOUR (4) YEARS IMMEDIATELY PRECEDING						

RECEIVED
 2007 JUL 18 P 1:17
 PURCHASING DIVISION
 STATE OF WV

SEE REVERSE SIDE FOR TERMS AND CONDITIONS

SIGNATURE <i>[Signature]</i>	TELEPHONE 304.776.4405	DATE 6/17/07
TITLE Vice President	FEIN 550658298	ADDRESS CHANGES TO BE NOTED ABOVE

WHEN RESPONDING TO RFQ, INSERT NAME AND ADDRESS IN SPACE ABOVE LABELED 'VENDOR'

**GENERAL TERMS & CONDITIONS
REQUEST FOR QUOTATION (RFQ) AND REQUEST FOR PROPOSAL (RFP)**

1. Awards will be made in the best interest of the State of West Virginia.
2. The State may accept or reject in part, or in whole, any bid.
3. All quotations are governed by the *West Virginia Code* and the *Legislative Rules* of the Purchasing Division.
4. Prior to any award, the apparent successful vendor must be properly registered with the Purchasing Division and have paid the required \$125.00 registration fee.
5. All services performed or goods delivered under State Purchase Orders/Contracts are to be continued for the term of the Purchase Order/Contract, contingent upon funds being appropriated by the Legislature or otherwise being made available. In the event funds are not appropriated or otherwise available for these services or goods, this Purchase Order/Contract becomes void and of no effect after June 30.
6. Payment may only be made after the delivery and acceptance of goods or services.
7. Interest may be paid for late payment in accordance with the *West Virginia Code*.
8. Vendor preference will be granted upon written request in accordance with the *West Virginia Code*.
9. The State of West Virginia is exempt from federal and state taxes and will not pay or reimburse such taxes.
10. The Director of Purchasing may cancel any Purchase Order/Contract upon 30 days written notice to the seller.
11. The laws of the State of West Virginia and the *Legislative Rules* of the Purchasing Division shall govern all rights and duties under the Contract, including without limitation the validity of this Purchase Order/Contract.
12. Any reference to automatic renewal is hereby deleted. The Contract may be renewed only upon mutual written agreement of the parties.
13. **BANKRUPTCY:** In the event the vendor/contractor files for bankruptcy protection, this contract is automatically null and void, and is terminated without further order.
14. **HIPAA Business Associate Addendum** - The West Virginia State Government HIPAA Business Associate Addendum (BAA), approved by the Attorney General, and available online at the Purchasing Division's web site (<http://www.state.wv.us/admin/purchase/vrc/hipaa.htm>) is hereby made part of the agreement. Provided that, the Agency meets the definition of a Covered Entity (45 CFR §160.103) and will be disclosing Protected Health Information (45 CFR §160.103) to the vendor.

INSTRUCTIONS TO BIDDERS

1. Use the quotation forms provided by the Purchasing Division.
2. **SPECIFICATIONS:** Items offered must be in compliance with the specifications. Any deviation from the specifications must be clearly indicated by the bidder. Alternates offered by the bidder as **EQUAL** to the specifications must be clearly defined. A bidder offering an alternate should attach complete specifications and literature to the bid. The Purchasing Division may waive minor deviations to specifications.
3. Complete all sections of the quotation form.
4. Unit prices shall prevail in cases of discrepancy.
5. All quotations are considered F.O.B. destination unless alternate shipping terms are clearly identified in the quotation.
6. **BID SUBMISSION:** All quotations must be delivered by the bidder to the office listed below prior to the date and time of the bid opening. Failure of the bidder to deliver the quotations on time will result in bid disqualifications.

SIGNED BID TO:

Department of Administration
Purchasing Division
2019 Washington Street East
Post Office Box 50130
Charleston, WV 25305-0130



State of West Virginia
 Department of Administration
 Purchasing Division
 2019 Washington Street East
 Post Office Box 50130
 Charleston, WV 25305-0130

Request for Quotation

RFQ NUMBER
DEFK8003

PAGE
2

ADDRESS CORRESPONDENCE TO ATTENTION OF
JOHN ABBOTT
304-558-2544

RFQ COPY
 TYPE NAME/ADDRESS HERE

SHIP TO

SHIP TO

DIV ENGINEERING & FACILITIES
NATIONAL GUARD ARMORY
240 ARMY ROAD

KINGWOOD, WV
26537 **341-6368**

DATE PRINTED 07/02/2007	TERMS OF SALE	SHIP VIA	FOB	FREIGHT TERMS
-----------------------------------	---------------	----------	-----	---------------

BID OPENING DATE: **07/18/2007** BID OPENING TIME **01:30PM**

LINE	QUANTITY	UOP	CAT NO	ITEM NUMBER	UNIT PRICE	AMOUNT
<p>THE DATE OF THIS CERTIFICATION; OR 80% OF THE OWNERSHIP INTEREST OF BIDDER IS HELD BY ANOTHER INDIVIDUAL, PARTNERSHIP, ASSOCIATION OR CORPORATION RESIDENT VENDOR WHO HAS MAINTAINED ITS HEADQUARTERS OR PRINCIPAL PLACE OF BUSINESS CONTINUOUSLY IN WEST VIRGINIA FOR FOUR (4) YEARS IMMEDIATELY PRECEDING THE DATE OF THIS CERTIFICATION; OR</p> <p>() BIDDER IS A CORPORATION NONRESIDENT VENDOR WHICH HAS AN AFFILIATE OR SUBSIDIARY WHICH EMPLOYS A MINIMUM OF ONE HUNDRED STATE RESIDENTS AND WHICH HAS MAINTAINED ITS HEADQUARTERS OR PRINCIPAL PLACE OF BUSINESS WITHIN WEST VIRGINIA CONTINUOUSLY FOR THE FOUR (4) YEARS IMMEDIATELY PRECEDING THE DATE OF THIS CERTIFICATION.</p> <p>B. APPLICATION IS MADE FOR 2.5% PREFERENCE FOR THE REASON CHECKED:</p> <p>(X) BIDDER IS A RESIDENT VENDOR WHO CERTIFIES THAT, DURING THE LIFE OF THE CONTRACT, ON AVERAGE AT LEAST 75% OF THE EMPLOYEES WORKING ON THE PROJECT BEING BID ARE RESIDENTS OF WEST VIRGINIA WHO HAVE RESIDED IN THE STATE CONTINUOUSLY FOR THE TWO YEARS IMMEDIATELY PRECEDING SUBMISSION OF THIS BID;</p> <p>OR</p> <p>() BIDDER IS A NONRESIDENT VENDOR EMPLOYING A MINIMUM OF ONE HUNDRED STATE RESIDENTS OR IS A NONRESIDENT VENDOR WITH AN AFFILIATE OR SUBSIDIARY WHICH MAINTAINS ITS HEADQUARTERS OR PRINCIPAL PLACE OF BUSINESS WITHIN WEST VIRGINIA EMPLOYING A MINIMUM OF ONE HUNDRED STATE RESIDENTS WHO CERTIFIES THAT, DURING THE LIFE OF THE CONTRACT, ON AVERAGE AT LEAST 75% OF THE EMPLOYEES OR BIDDERS' AFFILIATE'S OR SUBSIDIARY'S EMPLOYEES ARE RESIDENTS OF WEST VIRGINIA WHO HAVE RESIDED IN THE STATE CONTINUOUSLY FOR THE TWO</p>						

SEE REVERSE SIDE FOR TERMS AND CONDITIONS

SIGNATURE <i>JJ</i>	TELEPHONE	DATE 6/17/07
TITLE VP	FERN 550658298	ADDRESS CHANGES TO BE NOTED ABOVE

WHEN RESPONDING TO RFQ, INSERT NAME AND ADDRESS IN SPACE ABOVE LABELED 'VENDOR'



State of West Virginia
 Department of Administration
 Purchasing Division
 2019 Washington Street East
 Post Office Box 50130
 Charleston, WV 25305-0130

Request for Quotation

RFQ NUMBER:
DEFK8003

PAGE:
3

ADDRESS CORRESPONDENCE TO ATTENTION OF:
JOHN ABBOTT
304-558-2544

RFQ COPY
 TYPE NAME/ADDRESS HERE

DIV ENGINEERING & FACILITIES
NATIONAL GUARD ARMORY
240 ARMY ROAD

KINGWOOD, WV
26537 **341-6368**

DATE PRINTED	TERMS OF SALE	SHIP VIA	FOB	FREIGHT TERMS
07/02/2007				

BID OPENING DATE: **07/18/2007** BID OPENING TIME: **01:30PM**

LINE	QUANTITY	UOP	CAT NO	ITEM NUMBER	UNIT PRICE	AMOUNT
<p>YEARS IMMEDIATELY PRECEDING SUBMISSION OF THIS BID.</p> <p>BIDDER UNDERSTANDS IF THE SECRETARY OF TAX & REVENUE DETERMINES THAT A BIDDER RECEIVING PREFERENCE HAS FAILED TO CONTINUE TO MEET THE REQUIREMENTS FOR SUCH PREFERENCE, THE SECRETARY MAY ORDER THE DIRECTOR OF PURCHASING TO: (A) RESCIND THE CONTRACT OR PURCHASE ORDER ISSUED; OR (B) ASSESS A PENALTY AGAINST SUCH BIDDER IN AN AMOUNT NOT TO EXCEED 5% OF THE BID AMOUNT AND THAT SUCH PENALTY WILL BE PAID TO THE CONTRACTING AGENCY OR DEDUCTED FROM ANY UNPAID BALANCE ON THE CONTRACT OR PURCHASE ORDER.</p> <p>BY SUBMISSION OF THIS CERTIFICATE, BIDDER AGREES TO DISCLOSE ANY REASONABLY REQUESTED INFORMATION TO THE PURCHASING DIVISION AND AUTHORIZES THE DEPARTMENT OF TAX AND REVENUE TO DISCLOSE TO THE DIRECTOR OF PURCHASING APPROPRIATE INFORMATION VERIFYING THAT BIDDER HAS PAID THE REQUIRED BUSINESS TAXES, PROVIDED THAT SUCH INFORMATION DOES NOT CONTAIN THE AMOUNTS OF TAXES PAID NOR ANY OTHER INFORMATION DEEMED BY THE TAX COMMISSIONER TO BE CONFIDENTIAL.</p> <p>UNDER PENALTY OF LAW FOR FALSE SWEARING (WEST VIRGINIA CODE 61-5-3), BIDDER HEREBY CERTIFIES THAT THIS CERTIFICATE IS TRUE AND ACCURATE IN ALL RESPECTS; AND THAT IF A CONTRACT IS ISSUED TO BIDDER AND IF ANYTHING CONTAINED WITHIN THIS CERTIFICATE CHANGES DURING THE TERM OF THE CONTRACT, BIDDER WILL NOTIFY THE PURCHASING DIVISION IN WRITING IMMEDIATELY.</p> <p>BIDDER: <u>State Equipment, Inc</u></p> <p>DATE: <u>6/17/07</u></p>						

SEE REVERSE SIDE FOR TERMS AND CONDITIONS		
SIGNATURE	TELEPHONE	DATE
TITLE	FEIN	ADDRESS CHANGES TO BE NOTED ABOVE

WHEN RESPONDING TO RFQ, INSERT NAME AND ADDRESS IN SPACE ABOVE LABELED 'VENDOR'



State of West Virginia
 Department of Administration
 Purchasing Division
 2019 Washington Street East
 Post Office Box 50130
 Charleston, WV 25305-0130

Request for Quotation

RFQ NUMBER:
DEFK8003

PAGE:
4

ADDRESS CORRESPONDENCE TO ATTENTION OF:
JOHN ABBOTT
304-558-2544

VENDOR

RFQ COPY
 TYPE NAME/ADDRESS HERE

SHIP TO

DIV ENGINEERING & FACILITIES
NATIONAL GUARD ARMORY
240 ARMY ROAD

KINGWOOD, WV
26537 **341-6368**

DATE PRINTED	TERMS OF SALE	SHIP VIA	F.O.B.	FREIGHT TERMS
07/02/2007				

BID OPENING DATE: **07/18/2007** BID OPENING TIME **01:30PM**

LINE	QUANTITY	UOP	CAT NO.	ITEM NUMBER	UNIT PRICE	AMOUNT
<p>SIGNED: <i>[Signature]</i></p> <p>TITLE: <i>Vice President</i></p> <p>* CHECK ANY COMBINATION OF PREFERENCE CONSIDERATION(S) IN EITHER "A" OR "B", OR BOTH "A" AND "B" WHICH YOU ARE ENTITLED TO RECEIVE. YOU MAY REQUEST UP TO THE MAXIMUM 5% PREFERENCE FOR BOTH "A" AND "B". (REV. 12/00)</p> <p>NOTICE</p> <p>A SIGNED BID MUST BE SUBMITTED TO:</p> <p>DEPARTMENT OF ADMINISTRATION PURCHASING DIVISION BUILDING 15 2019 WASHINGTON STREET, EAST CHARLESTON, WV 25305-0130</p> <p>THE BID SHOULD CONTAIN THIS INFORMATION ON THE FACE OF THE ENVELOPE OR THE BID MAY NOT BE CONSIDERED:</p> <p>SEALED BID</p> <p>BUYER: JOHN ABBOTT</p> <p>RFQ. NO.: DEFK8003</p> <p>BID OPENING DATE: 7/18/2007</p>						

SEE REVERSE SIDE FOR TERMS AND CONDITIONS

SIGNATURE	TELEPHONE	DATE
-----------	-----------	------

TITLE	FEIN	ADDRESS CHANGES TO BE NOTED ABOVE
-------	------	-----------------------------------

WHEN RESPONDING TO RFQ, INSERT NAME AND ADDRESS IN SPACE ABOVE LABELED 'VENDOR'



State of West Virginia
 Department of Administration
 Purchasing Division
 2019 Washington Street East
 Post Office Box 50130
 Charleston, WV 25305-0130

Request for Quotation

RFQ NUMBER:
DEFK8003

PAGE:
5

ADDRESS CORRESPONDENCE TO ATTENTION OF:
**JOHN ABBOTT
 304-558-2544**

RFQ COPY
 TYPE NAME/ADDRESS HERE

VENDOR

SHIP TO

**DIV ENGINEERING & FACILITIES
 NATIONAL GUARD ARMORY
 240 ARMY ROAD**

KINGWOOD, WV 26537 341-6368

DATE PRINTED	TERMS OF SALE	SHIP VIA	F.O.B.	FREIGHT TERMS
07/02/2007				

BID OPENING DATE: **07/18/2007** BID OPENING TIME **01:30PM**

LINE	QUANTITY	UOP	CAT NO.	ITEM NUMBER	UNIT PRICE	AMOUNT
BID OPENING TIME:				1:30 PM	-----	
PLEASE PROVIDE A FAX NUMBER IN CASE IT IS NECESSARY TO CONTACT YOU REGARDING YOUR BID:						
				304 776 4409	-----	
CONTACT PERSON (PLEASE PRINT CLEARLY):						
				Alan Paset	-----	
***** THIS IS THE END OF RFQ DEFK8003 ***** TOTAL:						<u>\$44,300.00</u>

SEE REVERSE SIDE FOR TERMS AND CONDITIONS

SIGNATURE		TELEPHONE	DATE
TITLE	FEIN	ADDRESS CHANGES TO BE NOTED ABOVE	

WHEN RESPONDING TO RFQ, INSERT NAME AND ADDRESS IN SPACE ABOVE LABELED 'VENDOR'

DEFK8003 – SKID STEER SPECIFICATIONS

The below and attached are the minimum acceptable specifications that must be bid.

BOBCAT S330 or Equal:

- 80HP Min. – A51 Option Package or equal
- CAB WITH HEAT AND AIR CONDITIONING
- Steel Track Kit: Open bar design; Open side plate; 1-1/4" hardened replaceable bushings; Run loose design; Self cleaning; Built-in length adjustment; Rebuildable
- Heavy Duty Tires: Double sidewall, heavy duty design tread to resist chunking; 27X8.5-15
- Bucket: 80" Combination bucket
- For vendors who bid an "Equal", the equal must be capable of connecting to and operating the existing Bobcat brand attachments

DELIVERY: DELIVERY SHOULD BE MADE WITHIN 30 DAYS & PRICE SHALL INCLUDE DELIVERY TO:

**CAMP DAWSON ARMY TRAINING SITE
240 ARMY ROAD
KINGWOOD, WV 26537**

*** SEE ATTACHED FOR ADDITIONAL SPECIFICATIONS**

Engine/Electrical		
Engine Fuel	Diesel	✓
Horsepower	85 HP	89 HP
Engine Cooling	Liquid	✓
Performance		
Rated Operating Capacity (SAE)	3300 lbs	3200 lbs
Tipping Load	6720 lbs	6400 lbs.
Operating Weight	9185 lbs	8962 lbs.
Travel Speed	6.9 mph	6.2 mph
Travel Speed (2-speed option)	12 mph	11.3 mph
Hydraulic System		
Pump Capacity	20.7 GPM	21.9 GPM
Auxiliary High Flow	37 GPM	41.8 GPM
Dimension		
Length	114.5 in	110.6 in
Length without Attachment	114.5 in	110.6 in
Length with Standard Bucket	142.9 in	142.9 in
Width	73.5 in	Center tread to center tread 59.7
Width (with bucket)	74 in	80 in.
Height	82.2 in	80.5 in
Height with Operator Cab	82.2 in	80.5 in
Height to Bucket Hinge Pin	130 in	125.5 in
Reach @ Maximum Height	31.2 in	36.8 in
Turning Radius	86.2 in	86.3 in

STATE OF WEST VIRGINIA
Purchasing Division

PURCHASING AFFIDAVIT

West Virginia Code §5A-3-10a states: No contract or renewal of any contract may be awarded by the state or any of its political subdivisions to any vendor or prospective vendor when the vendor or prospective vendor or a related party to the vendor or prospective vendor is a debtor and the debt owned is an amount greater than one thousand dollars in the aggregate

DEFINITIONS:

"Debt" means any assessment, premium, penalty, fine, tax or other amount of money owed to the state or any of its political subdivisions because of a judgment, fine, permit violation, license assessment, defaulted workers' compensation premium, penalty or other assessment presently delinquent or due and required to be paid to the state or any of its political subdivisions, including any interest or additional penalties accrued thereon.

"Debtor" means any individual, corporation, partnership, association, limited liability company or any other form or business association owing a debt to the state or any of its political subdivisions. "Political subdivision" means any county commission; municipality; county board of education; any instrumentality established by a county or municipality; any separate corporation or instrumentality established by one or more counties or municipalities, as permitted by law; or any public body charged by law with the performance of a government function or whose jurisdiction is coextensive with one or more counties or municipalities. "Related party" means a party, whether an individual, corporation, partnership, association, limited liability company or any other form or business association or other entity whatsoever, related to any vendor by blood, marriage, ownership or contract through which the party has a relationship of ownership or other interest with the vendor so that the party will actually or by effect receive or control a portion of the benefit, profit or other consideration from performance of a vendor contract with the party receiving an amount that meets or exceeds five percent of the total contract amount.

EXCEPTION: The prohibition of this section does not apply where a vendor has contested any tax administered pursuant to chapter eleven of this code, workers' compensation premium, permit fee or environmental fee or assessment and the matter has not become final or where the vendor has entered into a payment plan or agreement and the vendor is not in default of any of the provisions of such plan or agreement.

LICENSING: Vendors must be licensed and in good standing in accordance with any and all state and local laws and requirements by any state or local agency of West Virginia, including, but not limited to, the West Virginia Secretary of State's Office, the West Virginia Tax Department, West Virginia Insurance Commission, or any other state agencies or political subdivision. Furthermore, the vendor must provide all necessary releases to obtain information to enable the Director or spending unit to verify that the vendor is licensed and in good standing with the above entities.

CONFIDENTIALITY: The vendor agrees that he or she will not disclose to anyone, directly or indirectly, any such personally identifiable information or other confidential information gained from the agency, unless the individual who is the subject of the information consents to the disclosure in writing or the disclosure is made pursuant to the agency's policies, procedures and rules. Vendors should visit www.state.wv.us/admin/purchase/privacy for the Notice of Agency Confidentiality Policies.

Under penalty of law for false swearing (West Virginia Code, §61-5-3), it is hereby certified that the vendor acknowledges the information in this said affidavit and are in compliance with the requirements as stated.

Vendor's Name: State Equipment, Inc

Authorized Signature: [Signature] Date: 6/17/07

465 SKID STEER TIER II CERTIFIED

ENGINE

Model	Case Family III 445T/M2 diesel, Tier II certified	
Type	4-stroke, turbocharged	
Cylinders	4	
Bore/Stroke	4.1 x 5.2 in (104 x 132 mm)	
Displacement	274 in ³ (4.5 L)	
Fuel injection	Direct	
Fuel	#2 Diesel	
Fuel filter	In-line strainer	
Air intake	Cross-flow	
Cooling	Liquid	
Engine speeds (rpm)		
High idle - no load	2480±50	
Rated - full load	2300	
Low idle	1050±50	
Horsepower per SAE J1349		
Gross	89 (66 kW) @ 2300 rpm	
Net	82 (61 kW) @ 2300 rpm	
Peak torque		
@ 1400 rpm	263 lb-ft (357 N-m)	

ENGINE COOLING

Radiator		
Core type	Square wave serpentine	
Core size area	450 in ² (0.290 m ²)	
Rows of tubes	3	
Cap pressure	13 psi (89.6 kPa)	
Fan		
Diameter	20.4 in (518 mm)	
Ratio	1.1:1	
Water pump		
Style	Integral	
Flow	52.8 gpm (200 L/min)	
Engine lubrication		
Pump	Deep sump with plate cooler and pressurized under-piston nozzles	
Pump operating angle ratings		
Side-to-side	Rated 35°	
Fore and aft	Rated 35°	
Oil filtration	Replaceable, full-flow cartridge	

POWERTRAIN

Drive pump		
Tandem, axial piston hydrostatic transmission with integral charge pump driven directly off engine flywheel		
Pump to engine ratio	1:1	
Displacement	0 to 2.81 in ³ (46 cc)	
Pump flow @ rated rpm	28 gpm (106 L/min)	
Flow	Bi-directional	
Charge pressure	360 psi (24 bar)	
System relief	5,220 psi (360 bar)	
Controls	Servo	
Drive motors	Fixed displacement radial piston	
Maximum displacement	40.3 in ³ (660 cc)	
Speed @ rated engine rpm		
@ max displacement	160 rpm	
Optional high speed	294 rpm	
Torque @ max displacement and relief pressure	2,788 lb-ft (3,780 N-m)	
Travel speeds - mph (km/h)		
Low range	0 - 6.2 (10.0)	
High range (optional)	0 - 11.3 (18.1)	
Final drive	Single-reduction chain drive	
Drive chain		
Size	ASA #120HS	
Tensile strength	41,000 lb (182,384 N)	
Axles		
One-piece, forged induction-hardened high carbon steel		
Max torque @ max displacement and relief pressure	6,816 lb-ft (9241 N-m)	
Diameter	2.5 in (63.5 mm)	
Length	14.92 in (379 mm)	
Parking brakes	Spring-applied, hydraulic release	
Engagement	Depress on/off brake button, raise seat bar, get off seat, or stop engine	

HYDRAULIC SYSTEM

Standard equipment pump		
Type	Gear pump	
Displacement	2.2 in ³ /rev (36 cc)	
Pump flow @ rated engine rpm		
Total	21.9 gpm (83 L/min)	
Optional high flow @ rated engine rpm		
Total	41.8 gpm (158 L/min)	
Loader control valve		
3-spool open-center series with power beyond port		
Relief pressure	3050 psi (210 bar)	
Port relief pressures -		
#1B Raise	3350 psi (230 bar)	
Hydraulic lines		
Tubing	37° JIC flare	
Loop hoses	SAE 100 R12	
Hydraulic oil cooler		
Core type	Two row in-line	
Hydraulic filter		
6-micron spin-on replaceable element on the return line with warning indicator		

INSTRUMENTATION

Indicators	
Digital Hourmeter	
Fuel level LCD bar graph with alarm	
Warning lights with alarms	
Engine coolant temperature	
Engine oil pressure	
Air cleaner restriction	
Hydraulic charge pressure	
Hydraulic filter restriction	
Hydraulic oil temperature	
Warning alarms	
Battery voltage (plus display)	
Indicator light	
Engine preheat	
Parking brake	
Seat bar reminder	

ELECTRICAL SYSTEM

Alternator	95 amp
Starter	3.3 kW
Battery	
12-volt low-maintenance 850 cold-cranking amps @ 0° F (-18 C)	

OPERATOR ENVIRONMENT

No-tool tilt ROPS/FOPS canopy w/side screens
Vinyl seat
Seat presence switch
2 in (51 mm) retractable seat belt
Restraint bar w/integral armrests
Two adjustable, hands-only control levers
Hand and foot throttles
Loader control lockout system
In-cab loader lock
Rear window w/escape provision
Front and rear halogen floodlights
Floor cleanout panel

CYLINDERS

Lift cylinder	
Bore diameter	2.5 in (63.5 mm)
Rod diameter	1.75 in (44.4 mm)
Stroke	49 in (1245 mm)
Closed length	60.7 in (1543 mm)
Bucket cylinder	
Bore diameter	2.75 in (69.8 mm)
Rod diameter	1.375 in (34.9 mm)
Stroke	20.67 in (525 mm)
Closed length	31.5 in (800 mm)

OPERATING WEIGHTS

Unit equipped with 12.0 x 16.5 Solideal Hauler SKS tires, 73 in (1.85 m) long lip bucket, mechanical attachment coupler, 165 lb (75 kg) operator and full fuel tank	
	8,865 lb (4021 kg)
Shipping weight	8,112 lb (3679 kg)
Add-on weights	
Side cab glass	+70 lb (32 kg)
Glass door w/wiper	+77 lb (35 kg)
Heater	+60 lb (27 kg)
Suspension seat	+10 lb (4.5 kg)
High flow auxiliary hydraulics	269 lb (122 kg)
Hydraulic attachment coupler	+38 lb (17 kg)
Counterweight	+850 lb (385 kg)

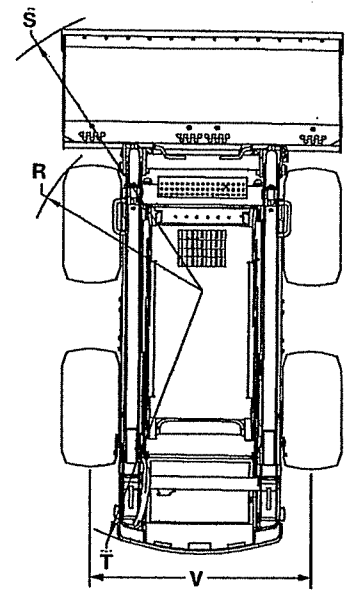
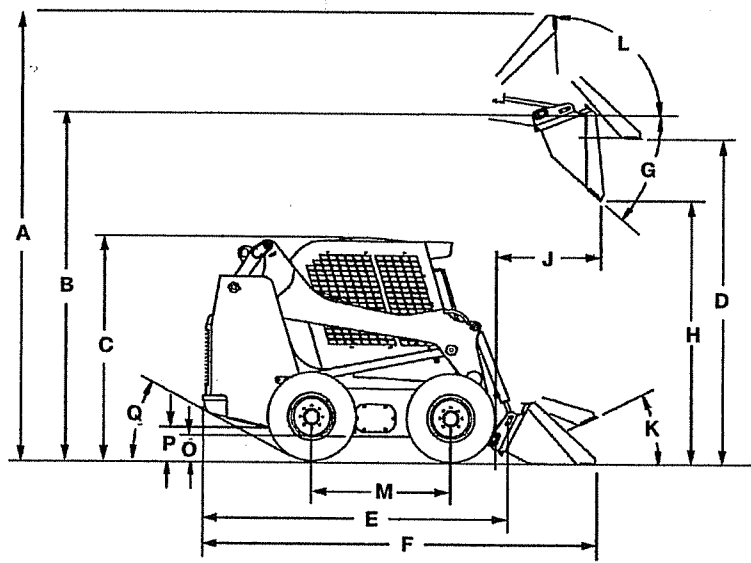
SERVICE CAPACITIES

Fuel tank	20.2 gal (76.4 L)
Engine oil w/filter	12.7 qt (12 L)
Engine cooling system	18 qt (17 L)
Hydraulic system	
Reservoir	7.0 gal (26.5 L)
Total	18 gal (81.4 L)
Chain tanks (per side)	8 qt (7.6 L)

TIRE SELECTION

	Size	Ply Rating	Tread Depth	Tire Width	Width Over Tires	Tire Weight*
Solideal Hauler SKS	12.00 x 16.5	10	0.75 in (19 mm)	13.1 in (333 mm)	72 in (1.83 m)	74 lb (33.6 kg)
Galaxy Beefy Baby	12.00 x 16.5	10	0.81 in (21 mm)	12.4 in (315 mm)	72 in (1.83 m)	82 lb (37.2 kg)
Galaxy Hippo	33/15.50 x 16.5	12	0.81 in (21 mm)	15.2 in (386 mm)	72 in (1.83 m)	94 lb (42.6 kg)
Galaxy King Kong	12.00 x 16.5	12	1.25 in (32 mm)	11.6 in (295 mm)	72 in (1.83 m)	97 lb (44 kg)
Galaxy Bulky Hulk	33/15.50 x 16.5	14	1.37 in (35 mm)	15.1 in (384 mm)	80 in (2.03 m)	117 lb (53.1 kg)

NOTE: *Tire weight does not include wheel weight.



DIMENSIONS*

A. Overall operating height	
Dirt bucket	163.0 in (4.14 m)
Light material bucket	170.4 in (4.33 m)
Height to	
B. Bucket hinge pin	125.5 in (3.19 m)
C. Top of rollover protective structure	80.5 in (2.05 m)
D. Bottom of level bucket, loader arm fully raised	117.5 in (2.98 m)
Overall length	
E. w/o attachment w/coupler	110.6 in (2.81 m)
F. w/dirt bucket on ground	142.9 in (3.63 m)
F. w/light material bucket on ground	150.7 in (3.83 m)
G. Dump angle at maximum height	
Dirt bucket	40°
Light material bucket	35°
H. Dump height – loader arm fully raised	
Dirt bucket	95.0 in (2.41 m)
Light material bucket	93.1 in (2.36 m)
J. Reach – loader arm fully raised	
Dirt bucket	36.8 in (935 mm)
Light material bucket	45.2 in (1.15 m)
Maximum attachment rollback	
K. Bucket on ground	27°
L. Bucket at full height	94°
M. Wheelbase	50.59 in (1.28 m)
Ground clearance	
O. Bottom of chain case	9.1 in (230 mm)
P. Bottom of belly pan	11 in (280 mm)
P. Bottom of optional counterweight	9.1 in (230 mm)
Q. Angle of departure	28°
Clearance circle front	
R. less bucket	54.9 in (1.39 m)
S. w/73 in (1.85 m) dirt bucket on ground	86.3 in (2.19 m)
S. w/84 in (2.08 m) dirt bucket on ground	88.4 in (2.24 m)
S. w/82 in (2.08 m) light material bucket on ground	93.7 in (2.38 m)
T. Clearance circle rear	65.1 in (1.65 m)
V. Tread width, centerline to centerline	59.7 in (1.52 m)

NOTE: *Equipped with 12 x 16.5 Soliddeal Hauler SKS tires.

PERFORMANCE SPECS

Operating load	3,000 lb (1361 kg)
with counterweight	3,200 lb (1451 kg)
Tipping load	6,000 lb (2722 kg)
with counterweight	6,400 lb (2903 kg)
Breakout force	
Lift cylinder	6,500 lbf (28 915 N)
Bucket cylinder	7,400 lbf (32 916 N)
Dig depth	
w/bucket flat	0.24 in (6 mm)
Cycle time	
Raise	5.4 seconds
Lower	3.3 seconds
Dump	2.1 seconds
Rollback	1.7 seconds

NOTE: SAE rated lift capacities. Cycle time measured with rated load in bucket.

OPTIONAL BUCKETS

Type	Width inch (m)	Weight lb (kg)	Heaped Capacity ft ³ (m ³)
Dirt	73 (1.9)	553 (251)	16.8 (.48)
	84 (2.1)	620 (281)	19.4 (.55)
HD Dirt	73 (1.9)	621 (282)	16.8 (.48)
	84 (2.1)	676 (307)	19.4 (.55)
Utility	73 (1.9)	628 (285)	22.4 (.63)
	84 (2.1)	674 (306)	25.7 (.73)
HD Utility	73 (1.9)	696 (316)	22.4 (.63)
	84 (2.1)	755 (343)	25.7 (.73)
Light Material	82 (2.1)	584 (265)	32.5 (.94)

STANDARD EQUIPMENT

OPERATOR'S COMPARTMENT

ROPS/FOPS canopy w/side screens
No-tools tilt ROPS/FOPS
Instrument panels
Vinyl seat
2 in (51 mm) retractable seat belt
Hand & foot throttles
Ergonomic hand controls
Seat bar w/integral armrests
Loader control lockout system
Electric brake control
Rear window w/escape provision
Floor cleanout panel

LOADER

Heavy lift-and-reach linkage
Mechanical attachment coupler

ENGINE

Case Family III 445T/M2 diesel
Tier II Certified
Integral engine oil cooling
Fuel filter w/water trap
Dual element air cleaner
95 amp alternator
850 CCA 12-volt battery
Heavy-duty radiator

POWERTRAIN

Hydrostatic four wheel drive
Servo controls
ASA #120HS drive chain
SAHR disc parking brakes

HYDRAULICS

Auxiliary hydraulics 3050 psi
(210 bar) - 21.9 gpm (83 L/min)
Auxiliary interlock system
Loader arm mounted ISO flat face hydraulic quick connectors
Auxiliary function lockout override
Loader lift lockout override
3-spool loader control valve
Heavy-duty oil cooler
Loader arm float position

OTHER

Integral bumper counterweight
Lockable service access hood
Single-point daily servicing
Halogen lights, 2-front, 1-rear
Rear tail lights
Options harness
Heavy-duty rear door

OPTIONAL EQUIPMENT

OPERATOR'S COMPARTMENT

Vinyl suspension seat w/ 2 in (51 mm) retractable seat belt or with shoulder harness
Vinyl suspension seat w/ 3 in (76 mm) retractable seat belt
Electric auxiliary hydraulic control
Glass front door w/wiper & washer
Sliding side windows
Air conditioning
Heater (deluxe)
Accessory power outlet
Floor mat w/footrests
Headliner

LOADER

Auxiliary front electric control
Ride Control
Hydraulic attachment coupler
Hydraulic one-way self-leveling

ENGINE

Coolant block heater
Grid heater

HYDRAULICS

Auxiliary high-flow 3050 psi
(210 bar) - 41.8 gpm (158 L/min)
Attachment case drain plumbing

OTHER

2-speed ground drive
Backup alarm and horn package
Rotating beacon
925 lb (420 kg) counterweight
Lift hooks
Drawbar
Language decals
Special paint
Buckets - see page 3
42 in (1.07 m)/48 in (1.22 m) pallet forks
Bolt-on bucket edges
Steel tracks
Factory installed tires - see page 2
Jump start terminals/battery disconnect switch
Bolt-on spill guard

NOTE: All specifications are stated in accordance with SAE Standards or Recommended Practices, where applicable.

NOTE: All engines meet current EPA emissions requirements.

IMPORTANT: CNH America LLC reserves the right to change these specifications without notice and without incurring any obligation relating to such change. CNH America LLC does not warrant the safety or reliability of attachments from other manufacturers.

Case is a registered trademark of CNH America LLC. Any trademarks referred to herein, in association with goods and/or services of companies other than CNH America LLC, are the property of those respective companies.



www.casece.com