

BID PREPARED FOR

DEPARTMENT OF ADMINISTRATION
PURCHASING DIVISION
BUILDING 15
2019 WASHINGTON STREET, EAST
CHARLESTON, WV 25305-01300

"DOWNHOLE CAMERA SYSTEM"

RECEIVED

08 JUN -3 PM 12:00

PURCHASING DIVISION
STATE OF WV



Golden Equipment Co., Inc.

◆ Main Office ◆ PO Box 873 Mars, Pennsylvania 16046

(800) 242-1494 ◆ (724)625-3100 Fax (724)625-3744

www.goldenequipmentcompany.com



State of West Virginia
 Department of Administration
 Purchasing Division
 2019 Washington Street East
 Post Office Box 50130
 Charleston, WV 25305-0130

Request for Quotation

RFQ NUMBER
7780080

PAGE
1

ADDRESS CORRESPONDENCE TO ATTENTION OF
MICHAEL AUSTIN
304-558-2402

RFQ COPY
 TYPE NAME/ADDRESS HERE

GOLDEN EQUIPMENT CO. INC.
P.O. Box 873
Mars, PA 16046

DIVISION OF HIGHWAYS
MATERIALS, CONTROL, SOILS,
& TESTING
190 DRY BRANCH DRIVE
CHARLESTON, WV
25306 **304-558-8984**

DATE PRINTED	TERMS OF SALE	SHIP VIA	F.O.B.	FREIGHT TERMS
04/23/2008				

BID OPENING DATE: **05/14/2008** BID OPENING TIME **01:30PM**

LINE	QUANTITY	UOP	CAT NO	ITEM NUMBER	UNIT PRICE	AMOUNT
0001	1	EA		655-39	33,242.00	33,242.00
<p>DOWNHOLD CAMERA SYSTEM</p> <p>PROVIDE DOWNHOLE CAMERA SYSTEM TO INSPECT THE SIDE WALLS OF DRILLED SHAFTS FOR THE WEST VIRGINIA DIVISION OF HIGHWAYS.</p> <p>PER THE ATTACHED SPECIFICATIONS</p> <p>EXHIBIT 10</p> <p>REQUISITION NO.:</p> <p>ADDENDUM ACKNOWLEDGEMENT</p> <p>I HEREBY ACKNOWLEDGE RECEIPT OF THE FOLLOWING CHECKED ADDENDUM(S) AND HAVE MADE THE NECESSARY REVISIONS TO MY PROPOSAL, PLANS AND/OR SPECIFICATION, ETC.</p> <p>ADDENDUM NO.'S:</p> <p>NO. 1 YES.....</p> <p>NO. 2 YES.....</p> <p>NO. 3 YES.....</p> <p>NO. 4 NO.....</p> <p>NO. 5 NO.....</p> <p>I UNDERSTAND THAT FAILURE TO CONFIRM THE RECEIPT OF TH</p>						

SEE REVERSE SIDE FOR TERMS AND CONDITIONS

SIGNATURE <i>[Signature]</i>	TELEPHONE 1-800-242-1494	DATE 6-4-08
TITLE V.P.	FEIN 25-1537261	ADDRESS CHANGES TO BE NOTED ABOVE

WHEN RESPONDING TO RFQ, INSERT NAME AND ADDRESS IN SPACE ABOVE LABELED 'VENDOR'

**GENERAL TERMS & CONDITIONS
REQUEST FOR QUOTATION (RFQ) AND REQUEST FOR PROPOSAL (RFP)**

1. Awards will be made in the best interest of the State of West Virginia.
2. The State may accept or reject in part, or in whole, any bid.
3. All quotations are governed by the *West Virginia Code* and the *Legislative Rules* of the Purchasing Division.
4. Prior to any award, the apparent successful vendor must be properly registered with the Purchasing Division and have paid the required \$125.00 registration fee.
5. All services performed or goods delivered under State Purchase Orders/Contracts are to be continued for the term of the Purchase Order/Contract, contingent upon funds being appropriated by the Legislature or otherwise being made available. In the event funds are not appropriated or otherwise available for these services or goods, this Purchase Order/Contract becomes void and of no effect after June 30.
6. Payment may only be made after the delivery and acceptance of goods or services.
7. Interest may be paid for late payment in accordance with the *West Virginia Code*.
8. Vendor preference will be granted upon written request in accordance with the *West Virginia Code*.
9. The State of West Virginia is exempt from federal and state taxes and will not pay or reimburse such taxes.
10. The Director of Purchasing may cancel any Purchase Order/Contract upon 30 days written notice to the seller.
11. The laws of the State of West Virginia and the *Legislative Rules* of the Purchasing Division shall govern all rights and duties under the Contract, including without limitation the validity of this Purchase Order/Contract.
12. Any reference to automatic renewal is hereby deleted. The Contract may be renewed only upon mutual written agreement of the parties.
13. **BANKRUPTCY:** In the event the vendor/contractor files for bankruptcy protection, this Contract may be deemed null and void, and terminated without further order.
14. **HIPAA Business Associate Addendum** - The West Virginia State Government HIPAA Business Associate Addendum (BAA), approved by the Attorney General, and available online at the Purchasing Division's web site (<http://www.state.wv.us/admin/purchase/vrc/hipaa.htm>) is hereby made part of the agreement. Provided that, the Agency meets the definition of a Covered Entity (45 CFR §160.103) and will be disclosing Protected Health Information (45 CFR §160.103) to the vendor.

INSTRUCTIONS TO BIDDERS

1. Use the quotation forms provided by the Purchasing Division.
2. **SPECIFICATIONS:** Items offered must be in compliance with the specifications. Any deviation from the specifications must be clearly indicated by the bidder. Alternates offered by the bidder as **EQUAL** to the specifications must be clearly defined. A bidder offering an alternate should attach complete specifications and literature to the bid. The Purchasing Division may waive minor deviations to specifications.
3. Complete all sections of the quotation form.
4. Unit prices shall prevail in cases of discrepancy.
5. All quotations are considered F.O.B. destination unless alternate shipping terms are clearly identified in the quotation.
6. **BID SUBMISSION:** All quotations must be delivered by the bidder to the office listed below prior to the date and time of the bid opening. Failure of the bidder to deliver the quotations on time will result in bid disqualifications.

SIGNED BID TO:

Department of Administration
Purchasing Division
2019 Washington Street East
Post Office Box 50130
Charleston, WV 25305-0130



State of West Virginia
 Department of Administration
 Purchasing Division
 2019 Washington Street East
 Post Office Box 50130
 Charleston, WV 25305-0130

Request for Quotation

RFQ NUMBER
7780080

PAGE
2

ADDRESS CORRESPONDENCE TO ATTENTION OF
MICHAEL AUSTIN 304-558-2402

RFQ COPY

TYPE NAME/ADDRESS HERE

GOLDEN EQUIPMENT CO. INC.
 P.O. Box 873
 Mars, PA 16046

SHIP TO

DIVISION OF HIGHWAYS
MATERIALS, CONTROL, SOILS,
& TESTING
 190 DRY BRANCH DRIVE
 CHARLESTON, WV
 25306 304-558-8984

DATE PRINTED	TERMS OF SALE	SHIP VIA	FOB	FREIGHT TERMS
04/23/2008				

BID OPENING DATE: 05/14/2008 BID OPENING TIME 01:30PM

LINE	QUANTITY	UOP	CAT NO	ITEM NUMBER	UNIT PRICE	AMOUNT
<p>ADDENDUM(S) MAY BE CAUSE FOR REJECTION OF BIDS.</p> <p>VENDOR MUST CLEARLY UNDERSTAND THAT ANY VERBAL REPRESENTATION MADE OR ASSUMED TO BE MADE DURING ANY ORAL DISCUSSION HELD BETWEEN VENDOR'S REPRESENTATIVES AND ANY STATE PERSONNEL IS NOT BINDING. ONLY THE INFORMATION ISSUED IN WRITING AND ADDED TO THE SPECIFICATIONS BY AN OFFICIAL ADDENDUM IS BINDING.</p> <p style="text-align: center;"> SIGNATURE Golden Equipment Co, Inc. COMPANY 6-4-08 DATE </p> <p>REV. 11/96</p> <p>PURCHASING CARD ACCEPTANCE: THE STATE OF WEST VIRGINIA CURRENTLY UTILIZES A VISA PURCHASING CARD PROGRAM WHICH IS ISSUED THROUGH A BANK. THE SUCCESSFUL VENDOR MUST ACCEPT THE STATE OF WEST VIRGINIA VISA PURCHASING CARD FOR PAYMENT OF ALL ORDERS PLACED BY ANY STATE AGENCY AS A CONDITION OF AWARD.</p> <p style="text-align: center;">VENDOR PREFERENCE CERTIFICATE</p> <p>CERTIFICATION AND APPLICATION* IS HEREBY MADE FOR PREFERENCE IN ACCORDANCE WITH WEST VIRGINIA CODE,</p>						

SEE REVERSE SIDE FOR TERMS AND CONDITIONS

SIGNATURE	TELEPHONE	DATE
TITLE	FAX	ADDRESS CHANGES TO BE NOTED ABOVE

WHEN RESPONDING TO RFQ, INSERT NAME AND ADDRESS IN SPACE ABOVE LABELED 'VENDOR'



State of West Virginia
 Department of Administration
 Purchasing Division
 2019 Washington Street East
 Post Office Box 50130
 Charleston, WV 25305-0130

Request for Quotation

RFQ NUMBER
7780080

PAGE
3

ADDRESS CORRESPONDENCE TO ATTENTION OF
**MICHAEL AUSTIN
 304-558-2402**

RFQ COPY
 TYPE NAME/ADDRESS HERE

**GOLDEN EQUIPMENT CO. INC.
 P.O. Box 873
 Mars, PA 16046**

**DIVISION OF HIGHWAYS
 MATERIALS, CONTROL, SOILS,
 & TESTING
 190 DRY BRANCH DRIVE
 CHARLESTON, WV
 25306 304-558-8984**

DATE PRINTED	TERMS OF SALE	SHIP VIA	FOB	FREIGHT TERMS
04/23/2008				

BID OPENING DATE: **05/14/2008** BID OPENING TIME **01:30PM**

LINE	QUANTITY	UOP	CAT NO	ITEM NUMBER	UNIT PRICE	AMOUNT
<p>5A-3-37 (DOES NOT APPLY TO CONSTRUCTION CONTRACTS).</p> <p>A. APPLICATION IS MADE FOR 2.5% PREFERENCE FOR THE REASON CHECKED:</p> <p>() BIDDER IS AN INDIVIDUAL RESIDENT VENDOR AND HAS RESIDED CONTINUOUSLY IN WEST VIRGINIA FOR FOUR (4) YEARS IMMEDIATELY PRECEDING THE DATE OF THIS CERTIFICATION; OR</p> <p>() BIDDER IS A PARTNERSHIP, ASSOCIATION OR CORPORATION RESIDENT VENDOR AND HAS MAINTAINED ITS HEAD-QUARTERS OR PRINCIPAL PLACE OF BUSINESS CONTINUOUSLY IN WEST VIRGINIA FOR FOUR (4) YEARS IMMEDIATELY PRECEDING THE DATE OF THIS CERTIFICATION; OR 80% OF THE OWNERSHIP INTEREST OF BIDDER IS HELD BY ANOTHER INDIVIDUAL, PARTNERSHIP, ASSOCIATION OR CORPORATION RESIDENT VENDOR WHO HAS MAINTAINED ITS HEADQUARTERS OR PRINCIPAL PLACE OF BUSINESS CONTINUOUSLY IN WEST VIRGINIA FOR FOUR (4) YEARS IMMEDIATELY PRECEDING THE DATE OF THIS CERTIFICATION; OR</p> <p>() BIDDER IS A CORPORATION NONRESIDENT VENDOR WHICH HAS AN AFFILIATE OR SUBSIDIARY WHICH EMPLOYS A MINIMUM OF ONE HUNDRED STATE RESIDENTS AND WHICH HAS MAINTAINED ITS HEADQUARTERS OR PRINCIPAL PLACE OF BUSINESS WITHIN WEST VIRGINIA CONTINUOUSLY FOR THE FOUR (4) YEARS IMMEDIATELY PRECEDING THE DATE OF THIS CERTIFICATION.</p> <p>B. APPLICATION IS MADE FOR 2.5% PREFERENCE FOR THE REASON CHECKED:</p> <p>() BIDDER IS A RESIDENT VENDOR WHO CERTIFIES THAT, DURING THE LIFE OF THE CONTRACT, ON AVERAGE AT LEAST 75% OF THE EMPLOYEES WORKING ON THE PROJECT BEING BID</p>						

SEE REVERSE SIDE FOR TERMS AND CONDITIONS

SIGNATURE	TELEPHONE	DATE
TITLE	FEIN	ADDRESS CHANGES TO BE NOTED ABOVE

WHEN RESPONDING TO RFQ, INSERT NAME AND ADDRESS IN SPACE ABOVE LABELED 'VENDOR'



State of West Virginia
 Department of Administration
 Purchasing Division
 2019 Washington Street East
 Post Office Box 50130
 Charleston, WV 25305-0130

Request for Quotation

RFQ NUMBER
7780080

PAGE
4

ADDRESS CORRESPONDENCE TO ATTENTION OF
**MICHAEL AUSTIN
 304-558-2402**

RFQ COPY
 TYPE NAME/ADDRESS HERE

MARS, PA

**GOLDEN EQUIPMENT CO. INC.
 P.O. Box 873
 Mars, PA 16046**

SHIP TO

**DIVISION OF HIGHWAYS
 MATERIALS, CONTROL, SOILS,
 & TESTING
 190 DRY BRANCH DRIVE
 CHARLESTON, WV
 25306 304-558-8984**

DATE PRINTED	TERMS OF SALE	SHIP VIA	FOB	FREIGHT TERMS
04/23/2008				

BID OPENING DATE: **05/14/2008** BID OPENING TIME **01:30PM**

LINE	QUANTITY	UOP	CAT NO	ITEM NUMBER	UNIT PRICE	AMOUNT
<p>ARE RESIDENTS OF WEST VIRGINIA WHO HAVE RESIDED IN THE STATE CONTINUOUSLY FOR THE TWO YEARS IMMEDIATELY PRECEDING SUBMISSION OF THIS BID; OR () BIDDER IS A NONRESIDENT VENDOR EMPLOYING A MINIMUM OF ONE HUNDRED STATE RESIDENTS OR IS A NONRESIDENT VENDOR WITH AN AFFILIATE OR SUBSIDIARY WHICH MAINTAINS ITS HEADQUARTERS OR PRINCIPAL PLACE OF BUSINESS WITHIN WEST VIRGINIA EMPLOYING A MINIMUM OF ONE HUNDRED STATE RESIDENTS WHO CERTIFIES THAT, DURING THE LIFE OF THE CONTRACT, ON AVERAGE AT LEAST 75% OF THE EMPLOYEES OR BIDDERS' AFFILIATE'S OR SUBSIDIARY'S EMPLOYEES ARE RESIDENTS OF WEST VIRGINIA WHO HAVE RESIDED IN THE STATE CONTINUOUSLY FOR THE TWO YEARS IMMEDIATELY PRECEDING SUBMISSION OF THIS BID.</p> <p>BIDDER UNDERSTANDS IF THE SECRETARY OF TAX & REVENUE DETERMINES THAT A BIDDER RECEIVING PREFERENCE HAS FAILED TO CONTINUE TO MEET THE REQUIREMENTS FOR SUCH PREFERENCE, THE SECRETARY MAY ORDER THE DIRECTOR OF PURCHASING TO: (A) RESCIND THE CONTRACT OR PURCHASE ORDER ISSUED; OR (B) ASSESS A PENALTY AGAINST SUCH BIDDER IN AN AMOUNT NOT TO EXCEED 5% OF THE BID AMOUNT AND THAT SUCH PENALTY WILL BE PAID TO THE CONTRACTING AGENCY OR DEDUCTED FROM ANY UNPAID BALANCE ON THE CONTRACT OR PURCHASE ORDER.</p> <p>BY SUBMISSION OF THIS CERTIFICATE, BIDDER AGREES TO DISCLOSE ANY REASONABLY REQUESTED INFORMATION TO THE PURCHASING DIVISION AND AUTHORIZES THE DEPARTMENT OF TAX AND REVENUE TO DISCLOSE TO THE DIRECTOR OF PURCHASING APPROPRIATE INFORMATION VERIFYING THAT BIDDER HAS PAID THE REQUIRED BUSINESS TAXES, PROVIDED THAT SUCH INFORMATION DOES NOT CONTAIN THE AMOUNTS OF TAXES PAID NOR ANY OTHER INFORMATION DEEMED BY THE TAX COMMISSIONER TO BE CONFIDENTIAL.</p>						

SEE REVERSE SIDE FOR TERMS AND CONDITIONS

SIGNATURE	TELEPHONE	DATE
TITLE	FEIN	ADDRESS CHANGES TO BE NOTED ABOVE

WHEN RESPONDING TO RFQ, INSERT NAME AND ADDRESS IN SPACE ABOVE LABELED 'VENDOR'



State of West Virginia
 Department of Administration
 Purchasing Division
 2019 Washington Street East
 Post Office Box 50130
 Charleston, WV 25305-0130

Request for Quotation

RFQ NUMBER
7780080

PAGE
5

ADDRESS CORRESPONDENCE TO ATTENTION OF:
**MICHAEL AUSTIN
 304-558-2402**

RFQ COPY
 TYPE NAME/ADDRESS HERE

**GOLDEN EQUIPMENT CO. INC.
 P.O. Box 873
 Mars, PA 16046**

**DIVISION OF HIGHWAYS
 MATERIALS, CONTROL, SOILS,
 & TESTING
 190 DRY BRANCH DRIVE
 CHARLESTON, WV
 25306 304-558-8984**

DATE PRINTED	TERMS OF SALE	SHIP VIA	F.O.B.	FREIGHT TERMS
04/23/2008				

BID OPENING DATE: **05/14/2008** BID OPENING TIME **01:30PM**

LINE	QUANTITY	UOP	CAT NO.	ITEM NUMBER	UNIT PRICE	AMOUNT
------	----------	-----	---------	-------------	------------	--------

UNDER PENALTY OF LAW FOR FALSE SWEARING (WEST VIRGINIA CODE 61-5-3), BIDDER HEREBY CERTIFIES THAT THIS CERTIFICATE IS TRUE AND ACCURATE IN ALL RESPECTS; AND THAT IF A CONTRACT IS ISSUED TO BIDDER AND IF ANYTHING CONTAINED WITHIN THIS CERTIFICATE CHANGES DURING THE TERM OF THE CONTRACT, BIDDER WILL NOTIFY THE PURCHASING DIVISION IN WRITING IMMEDIATELY.

BIDDER: Golden Equipment Co, Inc
 DATE: 6-4-08
 SIGNED: [Signature]
 TITLE: VP.

* CHECK ANY COMBINATION OF PREFERENCE CONSIDERATION(S) IN EITHER "A" OR "B", OR BOTH "A" AND "B" WHICH YOU ARE ENTITLED TO RECEIVE. YOU MAY REQUEST UP TO THE MAXIMUM 5% PREFERENCE FOR BOTH "A" AND "B". (REV. 12/00)

NOTICE

A SIGNED BID MUST BE SUBMITTED TO:

DEPARTMENT OF ADMINISTRATION
 PURCHASING DIVISION
 BUILDING 15
 2019 WASHINGTON STREET, EAST
 CHARLESTON, WV 25305-0130

SEE REVERSE SIDE FOR TERMS AND CONDITIONS

SIGNATURE	TELEPHONE	DATE
TITLE	FEBN	ADDRESS CHANGES TO BE NOTED ABOVE

WHEN RESPONDING TO RFQ, INSERT NAME AND ADDRESS IN SPACE ABOVE LABELED 'VENDOR'

Downhole Camera System

1. The camera must be capable of working in water to a depth of 150 feet. The system must also be capable of working in a dry hole.
2. Camera must able to zoom, pan/tilt and produce color video output. The output from the camera must be displayed in real time on a monitor and be recordable for later review.
3. Color display monitor for viewing camera output in real time.
4. VHS or DVD recorder or other suitable recording system so a permanent copy can be made so a review of inspection can be made at later date.
5. A light source capable of producing enough light to illuminate the area under inspection. The lights will preferably be integrated with the camera.
6. Electric Hoist with speed control and a minimum of 200 feet of cable.
7. All necessary electrical supplies to run system in remote locations (example -- generator, extension cords)

STATE OF WEST VIRGINIA
Purchasing Division**PURCHASING AFFIDAVIT**

West Virginia Code §5A-3-10a states: No contract or renewal of any contract may be awarded by the state or any of its political subdivisions to any vendor or prospective vendor when the vendor or prospective vendor or a related party to the vendor or prospective vendor is a debtor and the debt owed is an amount greater than one thousand dollars in the aggregate

DEFINITIONS:

"Debt" means any assessment, premium, penalty, fine, tax or other amount of money owed to the state or any of its political subdivisions because of a judgment, fine, permit violation, license assessment, defaulted workers' compensation premium, penalty or other assessment presently delinquent or due and required to be paid to the state or any of its political subdivisions, including any interest or additional penalties accrued thereon.

"Debtor" means any individual, corporation, partnership, association, limited liability company or any other form or business association owing a debt to the state or any of its political subdivisions. "Political subdivision" means any county commission; municipality; county board of education; any instrumentality established by a county or municipality; any separate corporation or instrumentality established by one or more counties or municipalities, as permitted by law; or any public body charged by law with the performance of a government function or whose jurisdiction is coextensive with one or more counties or municipalities. "Related party" means a party, whether an individual, corporation, partnership, association, limited liability company or any other form or business association or other entity whatsoever, related to any vendor by blood, marriage, ownership or contract through which the party has a relationship of ownership or other interest with the vendor so that the party will actually or by effect receive or control a portion of the benefit, profit or other consideration from performance of a vendor contract with the party receiving an amount that meets or exceed five percent of the total contract amount.

EXCEPTION: The prohibition of this section does not apply where a vendor has contested any tax administered pursuant to chapter eleven of this code, workers' compensation premium, permit fee or environmental fee or assessment and the matter has not become final or where the vendor has entered into a payment plan or agreement and the vendor is not in default of any of the provisions of such plan or agreement.

LICENSING: Vendors must be licensed and in good standing in accordance with any and all state and local laws and requirements by any state or local agency of West Virginia, including, but not limited to, the West Virginia Secretary of State's Office, the West Virginia Tax Department, West Virginia Insurance Commission, or any other state agencies or political subdivision. Furthermore, the vendor must provide all necessary releases to obtain information to enable the Director or spending unit to verify that the vendor is licensed and in good standing with the above entities.

CONFIDENTIALITY: The vendor agrees that he or she will not disclose to anyone, directly or indirectly, any such personally identifiable information or other confidential information gained from the agency, unless the individual who is the subject of the information consents to the disclosure in writing or the disclosure is made pursuant to the agency's policies, procedures and rules. Vendors should visit www.state.wv.us/admin/purchase/privacy for the Notice of Agency Confidentiality Policies.

Under penalty of law for false swearing (West Virginia Code, §61-5-3), it is hereby certified that the vendor acknowledges the information in this said affidavit and are in compliance with the requirements as stated.

Vendor's Name: Goldew Equipment Co, Inc.

Authorized Signature:  Date: 6-4-08



State of West Virginia
 Department of Administration
 Purchasing Division
 2019 Washington Street East
 Post Office Box 50130
 Charleston, WV 25305-0130

Request for Quotation

RFQ NUMBER
7780080

PAGE
1

ADDRESS CORRESPONDENCE TO ATTENTION OF
**MICHAEL AUSTIN
 304-558-2402**

RFQ COPY
 TYPE NAME/ADDRESS HERE

**GOLDEN EQUIPMENT CO. INC.
 P.O. Box 873
 Mars, PA 16046**

**DIVISION OF HIGHWAYS
 MATERIALS, CONTROL, SOILS,
 & TESTING
 190 DRY BRANCH DRIVE
 CHARLESTON, WV
 25306 304-558-8984**

DATE PRINTED	TERMS OF SALE	SHIP VIA	F.O.B.	FREIGHT TERMS
04/30/2008				

BID OPENING DATE: **05/21/2008** BID OPENING TIME **01:30PM**

LINE	QUANTITY	UOP	CAT NO	ITEM NUMBER	UNIT PRICE	AMOUNT
ADDENDUM NO. 1 BID OPENING DATE AND TIME CHANGED FROM: 05/07/08 AT 1:30 P.M. TO: 05/21/08 AT 1:30 P.M. QUESTIONS: WRITTEN QUESTIONS WILL BE ACCEPTED THROUGH CLOSE OF BUSINESS (5:00 P. M. EST. FRIDAY, MAY 9, 2008. QUESTIONS MAY BE SENT VIA: FAX 304-558-4115 E-MAIL: MICHAEL.D.AUSTIN@WV.GOV U.S. MAIL: MICHAEL AUSTIN, SENIOR BUYER PURCHASING DIVISION 2019 WASHINGTON STREET, EAST P. O. BOX 50130 CHARLESTON, WV 25305-0130 IT IS THE VENDORS RESPONSIBILITY TO VERIFY THAT THEIR QUESTIONS HAVE BEEN RECEIVED BY CALLING 304-558-2402. NO OTHER CHANGES						
0001	1	EA		655-39	33,242.00	33,242.00
				DOWNHOLE CAMERA SYSTEM		

SEE REVERSE SIDE FOR TERMS AND CONDITIONS

SIGNATURE <i>[Signature]</i>	TELEPHONE 800-242-1499	DATE 6-4-08
TITLE VP	FEN 25-1537261	ADDRESS CHANGES TO BE NOTED ABOVE

WHEN RESPONDING TO RFQ, INSERT NAME AND ADDRESS IN SPACE ABOVE LABELED 'VENDOR'



State of West Virginia
 Department of Administration
 Purchasing Division
 2019 Washington Street East
 Post Office Box 50130
 Charleston, WV 25305-0130

**request for
 Quotation**

RFQ NUMBER
 7780080

PAGE
 1

ADDRESS CORRESPONDENCE TO ATTENTION OF
 MICHAEL AUSTIN
 304-558-2402

RFQ COPY

ROBERT GOLDEN
 GOLDEN EQUIPMENT COMPANY INC
 P O BOX 873
 MARS PA 16046

DIVISION OF HIGHWAYS
 MATERIALS, CONTROL, SOILS,
 & TESTING
 190 DRY BRANCH DRIVE
 CHARLESTON, WV
 25306

304-558-8984

(304) 558-4785

DATE PRINTED	TERMS OF SALE	SHIP VIA	F.O.B.	FREIGHT TERMS
05/16/2008				

BID OPENING DATE: 05/28/2008 BID OPENING TIME 01:30PM

LINE	QUANTITY	UQP	CAT NO	ITEM NUMBER	UNIT PRICE	AMOUNT
ADDENDUM NO. 2						
BID OPENING DATE AND TIME CHANGED						
FROM: 05/21/08 AT 1:30 P.M.						
TO: 05/28/08 AT 1:30 P.M.						
NO OTHER CHANGES						
0001	1	EA	655-39	DOWNHOLE CAMERA SYSTEM	33,242.00	33,242.00
***** THIS IS THE END OF RFQ 7780080 ***** TOTAL:						33,242.00

SEE REVERSE SIDE FOR TERMS AND CONDITIONS

SIGNATURE: *[Signature]* TELEPHONE: 724-625-3100 DATE: 6-4-08
 TITLE: VP. FEIN: 25-1537261 ADDRESS CHANGES TO BE NOTED ABOVE

WHEN RESPONDING TO RFQ, INSERT NAME AND ADDRESS IN SPACE ABOVE LABELED 'VENDOR'



State of West Virginia
 Department of Administration
 Purchasing Division
 2019 Washington Street East
 Post Office Box 50130
 Charleston, WV 25305-0130

Request for Quotation

RFQ NUMBER
7780080

PAGE
1

ADDRESS CORRESPONDENCE TO ATTENTION OF
MICHAEL AUSTIN
304-558-2402

VENDOR

RFQ COPY
 ROBERT GOLDEN
 GOLDEN EQUIPMENT COMPANY INC
 PO BOX 873
 MARS PA 16048

SHIP TO

DIVISION OF HIGHWAYS
 MATERIALS, CONTROL, SOILS,
 & TESTING
 190 DRY BRANCH DRIVE
 CHARLESTON, WV
 25306 304-558-8984

DATE PRINTED 05/22/2008	TERMS OF SALE	SHIP VIA	F.O.B.	FREIGHT TERMS
BID OPENING DATE: 06/04/2008		BID OPENING TIME 01:30PM		

LINE	QUANTITY	UOP	CAT. NO.	ITEM NUMBER	UNIT PRICE	AMOUNT
ADDENDUM NO. 3						
CHANGES TO THE SPECIFICATIONS ATTACHED.						
BID OPENING DATE AND TIME CHANGED						
FROM: 05/28/08 AT 1:30 P.M.						
TO: 06/04/08 AT 1:30 P.M.						
NO OTHER CHANGES.						
0001	1	EA		655-39	33,242.00	33,242.00
				DOWNHOLE CAMERA SYSTEM		
***** THIS IS THE END OF RFQ 7780080 ***** TOTAL:						33,242.00

SEE REVERSE SIDE FOR TERMS AND CONDITIONS

SIGNATURE <i>[Signature]</i>	TELEPHONE 724-625-3100	DATE 6-4-08
TITLE VP	FEIN 25-1537261	ADDRESS CHANGES TO BE NOTED ABOVE

WHEN RESPONDING TO RFQ, INSERT NAME AND ADDRESS IN SPACE ABOVE LABELED 'VENDOR'

1. The specification does not list the reel requirements. We recommended a minimum of the following:

Answer: No particular requirement.

2. The specification does not define a recording device. Would a combination DVD/ VCR unit be acceptable or would they want just a DVD recorder.

Answer: Either will work

3. The specification does not define training. We recommend 1-2 days training. Should we option the training?

Answer: Yes

4. A wireless controller for the reel, camera, and transporter would be advantageous for this type of culvert inspection. Is it permissible to option the wireless integrated controller for this system?

Answer: Yes

5. What is the maximum preferred cable length?

Answer: 300 Feet

6.. What is the maximum underwater depth?

Answer: 300 Feet

7. What is the minimum size borehole in which the camera must fit?

Answer: 12 Inches

8. What is the maximum diameter of the boreholes or distance that the camera will be required to view?

Answer: 96 Inches

9. How frequent will the system be used?

Answer: Daily

10. What is the purpose or goal of video work?

Answer: Review at later date

11. What other options are required?

Answer: Operate in isolated locations

12. Do you require a motorized winch?

Answer: No

13. Color or Ultra Low Light Black and White Camera?

Answer: Color

14. Stainless steel or plastic camera?

Answer: Must be able to handle acidic acid

15. Is a pan and tilt camera required?

Answer: Yes

16. Is off camera or supplemental light needed?

Answer: Yes

17. Is on screen depth display needed?

Answer: Yes

18. What are the monitor and recording requirements?

Answer: 0-120 f

19. Are centralizers required?

Answer: No

20. Is an inverter needed to operate from DC electricity?

Answer: No

21. Do you want camera lights on off switch?

Answer: Yes

22. Is a carrying or shipping case required?

Answer: Yes

23. Does 150' mean 150' under water?

Answer: Yes

24. What size will the hole/pipe/casting be?

Answer: 4 inches to 96 inches

25. Will the holes be round or some other shape?

Answer: Round

26. What is the size of the area to be lighted?

Answer: Larger than viewer area of camera

27. What will the water quality be for the lighting during the inspection?

Answer: Fairly clear but, with acidic mine drainage.

28. Will the water be moving during the inspection?

Answer: Yes

29. How will the camera be weighted?

Answer: By system supplied with camera

30. Describe the access to the pipe opening?

Answer: From ground or working platform.

31. Will you accept an inverter instead of the generator?

Answer: No

32. Who is the manufacturer of the specified system?

Answer: GPE

33. What will the application for the system be?

Answer: To inspect drilled caissons.

34. Is the tilt pan to be motorized or manual?

Answer: Either will work



Portable Water Well and Borehole Inspection Camera System

CCV Engineering and Manufacturing Co, proposes this water well and borehole color television camera system. It is delivered complete and ready for operation. The color television system incorporates CCV's SC 3500 large diameter borehole pan and tilt camera with total of 40x zoom.

Detailed Component List:

- 1 SC3500 Pan and Tilt Color Inspection Camera, pressure rated for 200psi or 400 foot submergence. Operational within a minimum of 5 inch diameters. Remote selectable camera position. Clockwise/Counterclockwise rotation with self adjusting speeds as camera is zoomed. Remote adjustable low, medium, high intensities for lighting. Internal on-screen diagnostics, auto controlled focus and electronic shutter (iris) with operator over ride. Including:**
 - 1 Camera Storage and Transportation Case
 - 1 Camera Spare Parts Kit consisting of miscellaneous extra screws, lighthouse and camera o-rings

- 1 ST4000 Camera Control Unit packaged in an ATA rated heavy-duty transportation case with removable cover. Includes the following built-in items:**
 - 1 9-inch LCD unit with front input A/V jacks for viewing and recording.
 - 1 VD1001 electronic on-screen depth counter system with time, date, moveable arrow pointer, digital footage counter (0000.0) display and titling features.
 - 1 Camera control unit with 5 position preset voltage adjustment, microphone for audio commentaries, resettable fuse input/output, additional external video and audio jacks, and a 6-position meter select switch for system troubleshooting.
 - 1 Qwerty keyboard for page titling and defect code entry.
 - 1 Keyboard tray
 - 1 Camera Desktop Joystick Controller featuring the following functions: Focus, Iris, Rotation, Clockwise, Counterclockwise, Up View, Down View, White Balance, Zoom, Home Diagnostics, and Side Lamp Intensity.
 - 1 Cable Simulator for winch, camera and cablehead troubleshooting.
 - 1 Built-in Storage compartment and ventilation fan.
 - 1 Interconnect cable, ST4000 camera control unit to WW1500 winch

- 1 DVD video recording system including:**
 - 1 Soft-sided protective carrying case
 - 1 Remote control functions include: record, fast forward, pause, frame advance, slow motion, search, stop and rewind
 - 1 Set power and video cabling
 - 5 DVD-recordable media discs

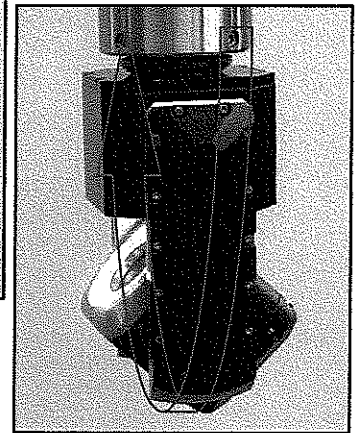
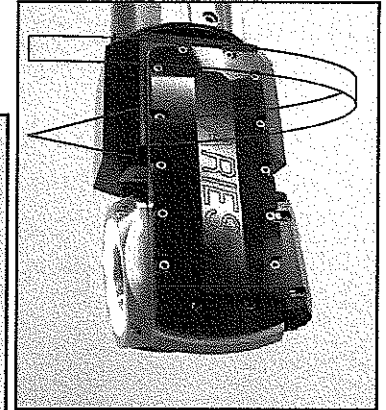
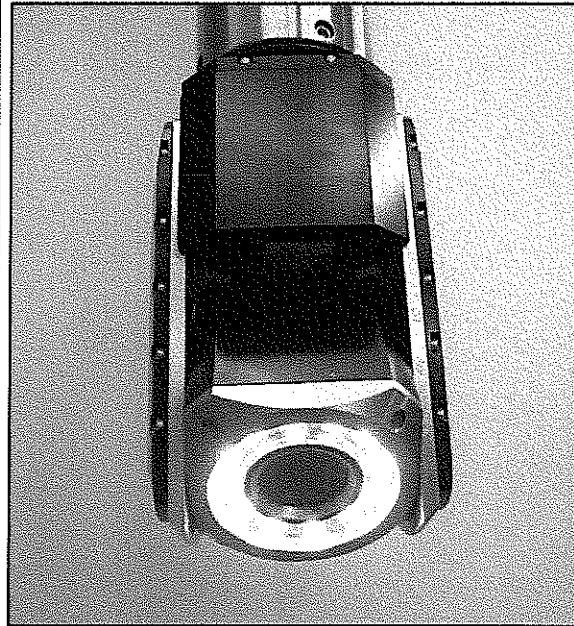
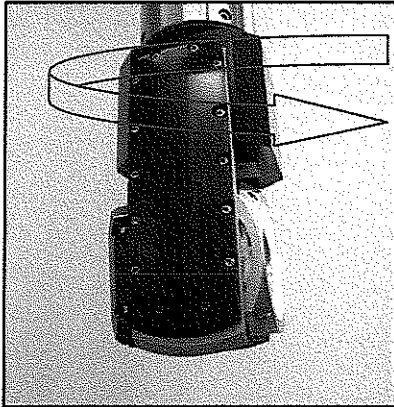


- 1 WW1500, 120VAC Electric powered waterwell winch with ¼ inch single conductor, dual armored video cable including:**
 - 1 Steel drum with aluminum side flanges to contain 500 feet of ¼ inch steel armored cable
 - 1 Industrial grade variable speed electric motor and 30:1 reduction gearbox.
 - 1 5-digit, (0000.0) mechanical depth footage counter.
 - 1 10-pulse per revolution electronic depth footage encoder.
 - 1 Emergency disc brake mechanism.
 - 1 Adjustable level wind for cable adjustment.
 - 1 Sealed mercury slip ring.
 - 1 Heavy duty (#50) drive chain and sprocket assembly
 - 1 Handheld motor controller with momentary raise/lower variable speed adjustment and interconnect cable to winch motor.
 - 1 Gearhart – Owens style Stainless Steel Cablehead
 - 1 Cablehead Spare Parts Kit consisting of sealing o-rings, push-on threaded UHF connector, bulkhead connector, pigtail connector, and adhesive sealing shrink tubing.
- 1 Adjustable, lightweight tripod assembly with tie-down rope, snatch block, and camera holder.**
- 2 Camera operations manual**
- 2 VD1001 operations manual**
- 1 Year warranty on all equipment manufactured by CCV.**



Large Diameter Borehole Inspection Pan and Tilt Zoom Camera

This camera has a maximum outside diameter of 4.250 inches. The camera was designed for large diameter boreholes, mine shafts, tank, silo and open cavernous areas. The camera has the following operator controlled features; automatic and operator adjustable focus, electronic shutter (iris), low/med/high lighting controls, rotation direction (clockwise/counterclockwise), and pan and tilt movement. The high intensity LED lighting allows for unobstructed viewing and trouble-free lighting. The camera head and housing are pressurized with dry nitrogen to help displace moisture and minimize corrosion.



Pan and Tilt functions slow down when inspecting with the zoom feature. The internal diagnostic check system continually monitors camera functions including camera humidity, voltage, temperature and pressure.

- 360° continuous rotation in either direction.
- Low light <2 lux camera zoom module for superior picture quality in poor lighting conditions.
- Fits and fully functions in 6" diameter pipelines and boreholes.
- Equipped with automatic exposure compensation with remote control to control the illumination range.
- Internally pressurized with dry nitrogen to ensure proper pressurization and a leak-proof camera.
- Break resistant, scratch-proof sapphire camera window.
- On-screen diagnostics package.



CCV Engineering & Manufacturing, Inc.

An ARIES Industries Company
www.ariesccv.com

Pan and Tilt Rotating Head with Zoom Camera

TECHNICAL DATA

MECHANICAL DATA

Rotation: 360 Degrees Axial
Pan and Tilt: 270 Centerline to centerline
Viewing Angle: 300 Degrees Pan and Tilt
Spherical Viewing Capabilities: 90%+
Enclosure: Waterproof to 200 psi
Overall Length: 23.5 inches
Body Diameter: 3.10 inches
Vibration: 7G
Shock: 70G

OPTICAL DATA

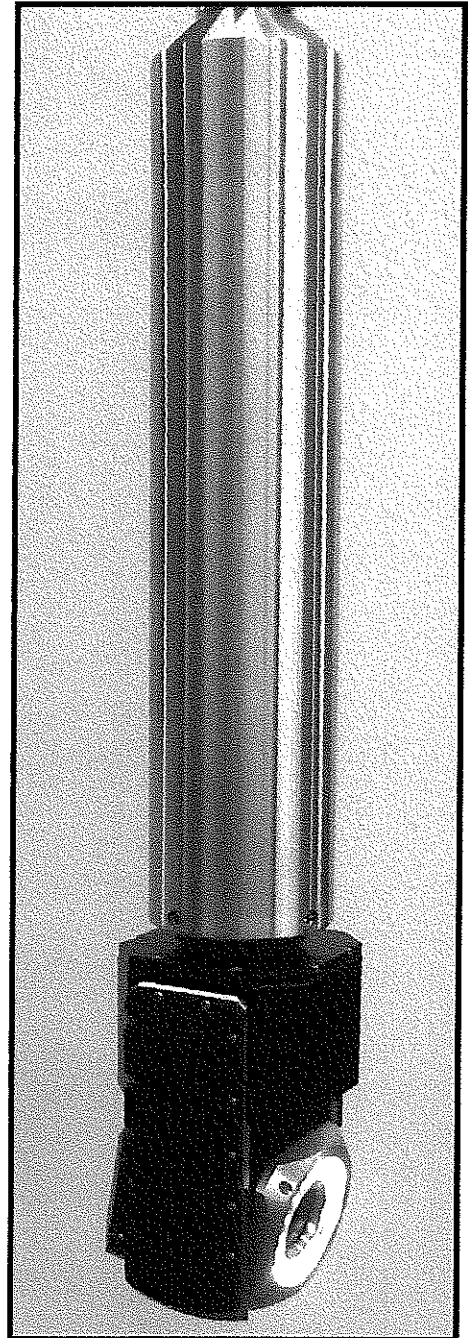
Lens: 10x Zoom lens, 4x (40x with optical zoom), Sapphire lens
Focus: 1/2 inch to infinity, auto focus with zoom, manual control override
Iris: Remote controlled, auto and manual override
Shutter: Slow shutter for increased light sensitivity
StarLite Feature: Allows for .013 lux @ F1.8, 1/4 s
Distortion: None

ELECTRONIC DATA

Sensor: 1/4 inch Color CCD
Sensitivity: <2 lux
Picture elements: 410,000 total pixels
Resolution: 470 (H) TV Lines

OPERATING CONDITIONS

Line Sizes: 5 inch and larger
Temperature: 0 degrees to +75C/ 167F
Moisture: up to 100% Relative Humidity
Video Format: NTSC or PAL
Cable type: Shielded single conductor/ Dual Armored Coax/ Multi Conductor



**Design and specifications subject to change, confirm when ordering.*



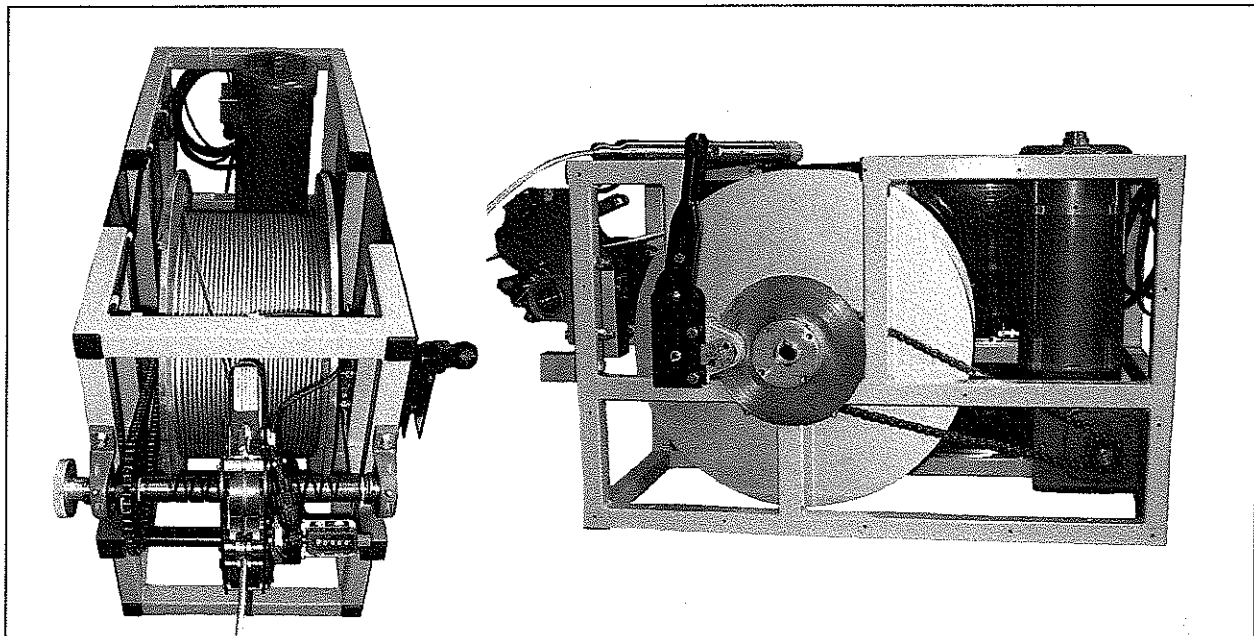
CCV Engineering & Manufacturing, Inc.

An ARIES Industries Company
www.ariesccv.com

WW-1500

Water Well Inspection Winch

This electric winch is manufactured to hold up to 2000 feet of ¼ inch single conductor inspection cable. The winch is configured to operate with an electric motor, although it may be used hydraulically. The level wind mechanism is used to keep the cable in place in a uniform fashion. An emergency hand brake and mechanical counter is also supplied. The counter wheel uses a 200 pulse optical encoder to accurately measure depth. A variable speed controller is included. All CCV winches use a sealed mercury slip ring for a continuous maintenance free connection. Side panel removed below.



WINCH FEATURES:

1. Dual View or Single View compatible (may be used with some Geophysical Logging equipment)
2. Level wind, Mechanical Counter, Optical Encoder, are all standard equipment
3. Cablehead, Brake and Slip Ring are also standard
4. May be used as a portable or permanent application
5. Zero to 1500 feet of cable (customer choice)
6. Dimensions: 38L X 16W X 22H
7. Weight: 175lb without cable
8. Electric or Hydraulic configurable

5748 East Shields Avenue • Fresno, CA 93727-7820 • 800-671-0383 / 559-291-0383 • Fax 559-291-0463
